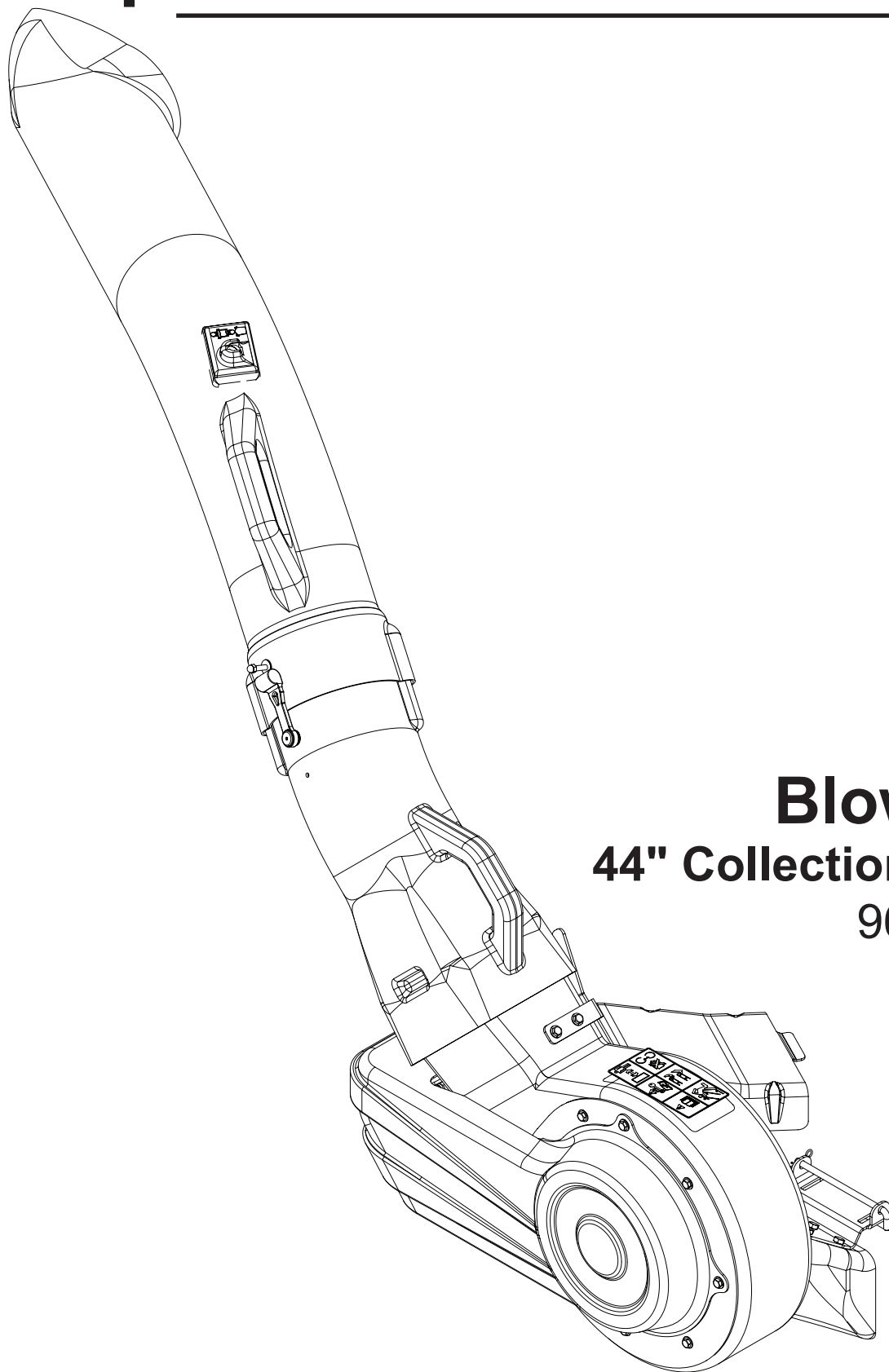


Operator and Parts Manual



Blower Kit **44" Collection System** 966004401

©2009 HTC. All Rights Reserved.
Beatrice, NE. Printed in U.S.A.

CONTENTS

SAFETY RULES.....	4	ASSEMBLY	8
GENERAL OPERATION	4	TIPS FOR IMPROVED BAGGING.....	12
SLOPE OPERATION	4	GENERAL RECOMMENDATIONS	12
CHILDREN.....	5	OPERATION.....	13
SERVICE.....	5	STORAGE.....	13
		REPAIR PARTS.....	14

CONGRATULATIONS on the purchase of a new collection system. It has been designed, engineered and manufactured to give you the best possible dependability and performance.

Should you experience any problem you cannot easily remedy, please contact your nearest authorized service center/ department. They have competent, well-trained technicians and the proper tools for service and repairs.

Please read and retain this manual. The instructions will enable you to assemble and maintain your collection system properly. Always observe the "SAFETY RULES".

KNOW YOUR BLOWER SYSTEM

READ THIS OPERATION MANUAL AND SAFETY RULES BEFORE ASSEMBLING OR OPERATING YOUR BLOWER SYSTEM. Compare the illustrations with the carton contents to familiarize yourself with the parts before starting the assembly. Study the operating instructions and safety precautions thoroughly to insure proper functioning of your Grass Catcher and to prevent injury to yourself and others. Save this manual for future reference.



WARNING!

Engine exhaust, some of its constituents, and certain vehicle components contain or emit chemicals known to the State of California to cause cancer and birth defects or other reproductive harm.



The operation of any mower can result in foreign objects thrown into the eyes, which can result in severe eye damage. ALWAYS wear safety glasses or eye shields before starting your mower and while mowing. Standard safety glasses are recommended or a wide vision safety mask for over spectacles.

SAFETY RULES



SAFE OPERATION PRACTICES FOR RIDE-ON MOWERS



DANGER !

THIS CUTTING MACHINE IS CAPABLE OF AMPUTATING HANDS AND FEET AND THROWING OBJECTS. FAILURE TO OBSERVE THE FOLLOWING SAFETY INSTRUCTIONS COULD RESULT IN SERIOUS INJURY OR DEATH.

GENERAL OPERATION

- Read, understand and follow all instructions in the manual and on the machine before starting.
- Only allow responsible adults, who are familiar with the instructions, to operate the machine.
- Clear the area of objects such as rocks, stones, toys, wire etc., which could be picked up and thrown by the blades.
- Be sure the area is clear of all people and pets before mowing. Stop the machine if anyone enters the area.
- Never carry passengers or children even with blades off.
- Do not mow in reverse unless absolutely necessary. Always look down and behind before and while backing.
- Be aware of the mower discharge direction and do not direct it towards anyone. Do not operate the mower without either the entire grass catcher or the guard in place.
- Slow down before turning.
- Never leave the machine unattended when the engine is running. Always turn off the blades, set the parking brake, stop the engine and remove the key before leaving the machine.
- Turn off blades when not mowing.
- Stop engine before removing grass catcher or unclogging chute.
- Mow only in daylight or good artificial light.
- Do not operate the machine while under the influence of alcohol or drugs.
- Watch out for traffic when operating near or crossing roadways.
- Use extra care when loading and unloading the machine onto a trailer or truck.
- Data indicates that operators, age 60 years and above, are involved in a large percentage of riding mower-related injuries. These operators should evaluate their ability to operate the riding mower safely enough to protect themselves and others from serious injury.

- **DO NOT** operate mower with grass catcher, unless the front weights are installed.
- Keep machine free of grass, leaves or other debris buildup which can touch hot exhaust/engine parts and burn. Do not allow the mower deck to plow leaves or other debris which can cause buildup to occur. Clean any oil or fuel spillage before operating or storing the machine. Allow machine to cool before storage.

SLOPE OPERATION

Slopes are a major factor related to loss-of-control and tip-over accidents, which can result in severe injury or death. All slopes require extra caution. If you cannot back up the slope or if you feel uneasy on it, do not mow it.

DO

- Mow up and down slopes (10° Max.), not across.
- Remove obstacles such as rocks, tree limbs, etc.
- Watch for holes, ruts, or bumps. Uneven terrain could overturn the machine. **Tall grass can hide obstacles.**
- Use slow speed. Choose a low speed so that you will not have to stop while on the slope.
- Use extra care with grass catchers or other attachments. These can change the stability of the machine.
- Keep all movement on the slopes **slow** and **gradual**. Do not make sudden changes in speed or direction.
- Avoid starting or stopping on a slope. If tires lose traction, disengage the blades and proceed slowly **straight** down the slope.

SAFETY RULES



SAFE OPERATION PRACTICES FOR RIDE-ON MOWERS



DO NOT

- **Do not** turn on slopes unless necessary, and then, turn slowly and gradually downhill, if possible.
- **Do not** mow near drop-off, ditches, or embankments. The mower could suddenly turn over if a wheel is over the edge of a cliff or ditch, or if an edge caves in.
- **Do not** mow on wet grass. Reduced traction could cause sliding.
- **Do not** try to stabilize the machine by putting your foot on the ground.

CHILDREN

Tragic accidents can occur if the operator is not alert to the presence of children. Children are often attracted to the machine and the mowing activity. Never assume that children will remain where you last saw them.

- **NEVER allow children to operate the machine.**
- Keep children out of the mowing area and under the watchful care of another responsible adult.
- Be alert and turn off the machine if children enter the area.
- Before and when backing, look behind and **down** for small children.
- Never carry children. They may fall off and be seriously injured or interfere with safe machine operation.
- Use extra care when approaching blind corners, shrubs, trees, or other objects that may obscure vision.

SERVICE

- The operation of any mower can result in foreign objects thrown into the eyes, which can result in severe eye damage. Always wear safety glasses or eye shields while operating your mower or performing any adjustments or repairs. We recommend a wide vision safety mask over spectacles or standard safety glasses.
- Use extra care in handling gasoline and other fuels. They are flammable and vapors are explosive.
 - Use only an approved container.
 - Never remove gas cap or add fuel with the engine running.
 - Allow engine to cool before refueling.
 - Do not smoke.
 - Never refuel the machine indoors.
 - Never store the machine or fuel container inside where there is an open flame, such as a water heater.
- Never run a machine inside a closed area.
- Keep nuts and bolts, especially blade attachment bolts, tight and keep equipment in good condition.
- Never tamper with safety devices. Check there proper operation regularly.



CAUTION

In order to prevent accidental starting when setting up, transporting, adjusting or making repairs, always disconnect spark plug wire and place wire where it cannot contact spark plug.

SAFETY RULES



SAFE OPERATION PRACTICES FOR RIDE-ON MOWERS



- Keep machine free of grass, leaves, or other debris buildup. Clean oil or fuel spillage. Allow machine to cool before storing.
- Stop and inspect the equipment if you strike an object. Repair, if necessary, before restarting.
- Never make adjustments or repairs with the engine running.
- Grass catcher components are subject to wear, damage, and deterioration, which could expose moving parts or allow objects to be thrown. Frequently check components and replace with manufacturer's recommended parts, when necessary.
- Mower blades are sharp and can cut. Wrap the blade(s) or wear gloves, and use extra caution when servicing them.
- Check brake operation frequently. Adjust and service as shown in the Operator's Manual.



WARNING!

Battery posts, terminals and related accessories contain lead and lead compounds, chemicals known to the State of California to cause cancer and birth defects or other reproductive harm. Wash hands after handling.



WARNING!

DO NOT tow any trailers, etc. with this mower. They may jackknife or overturn causing damage to the mower and possibly serious injury to the operator.

UNPACKING INSTRUCTIONS

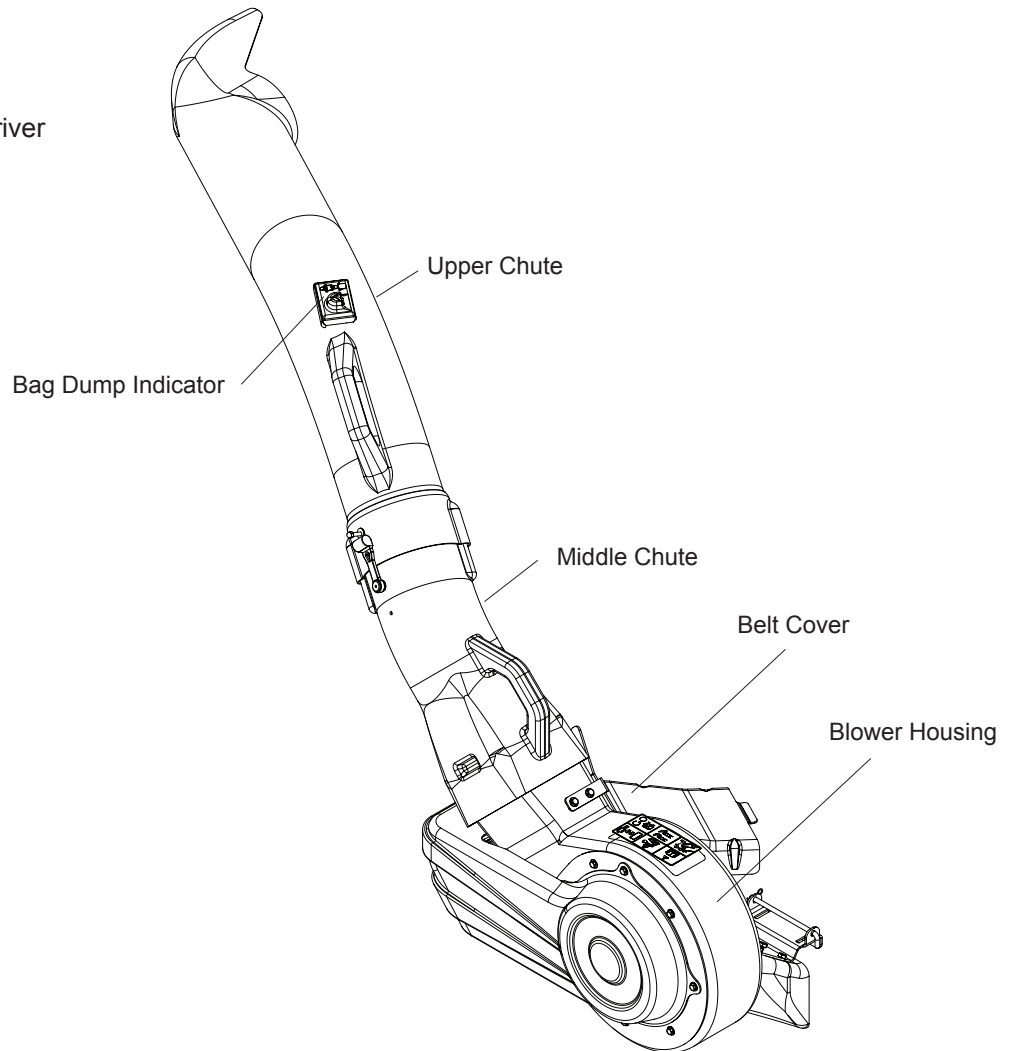
- Remove all parts and packing materials from carton.

TOOLS REQUIRED

- $\frac{7}{16}$ " Wrench or ratchet and socket
- $\frac{1}{2}$ " Wrench or ratchet and socket
- $\frac{7}{8}$ " Socket
- Torque Wrench
- Phillips Head Screwdriver
- Hacksaw
- Pliers
- Drill and $\frac{7}{8}$ " bit

CONTAINER CONTENTS

- Blower Assembly
- Belt Shield
- Mounting Bracket
- Weight
- Drive Pulley
- Belt
- Bag of Hardware



NOTE: When right hand (R.H.) and left hand (L.H.) are mentioned in this manual, it means when you are seated on the mower in the operator's position.



CAUTION

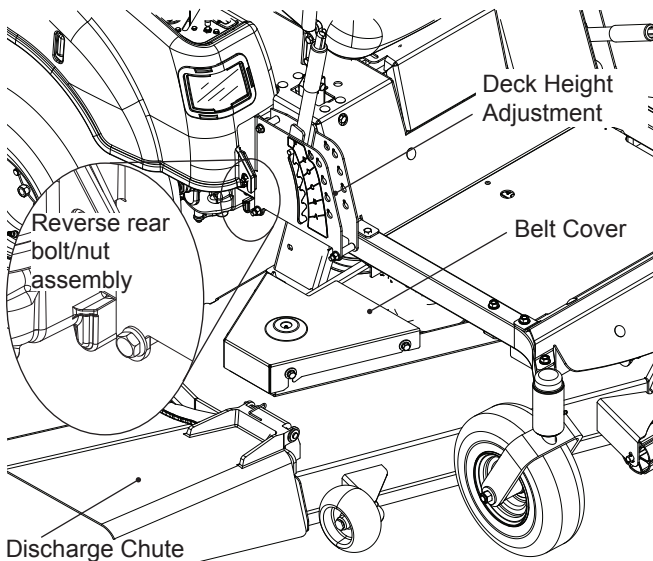
BEFORE ASSEMBLING GRASS CATCHER TO MOWER:

- Set parking brake.
- Place motion control levers in "NEUTRAL" position.
- Turn ignition key "OFF" and remove key.
- Make sure the blades and all moving parts have completely stopped.
- Disconnect spark plug and place wire where it cannot come in contact with plug.

ASSEMBLY

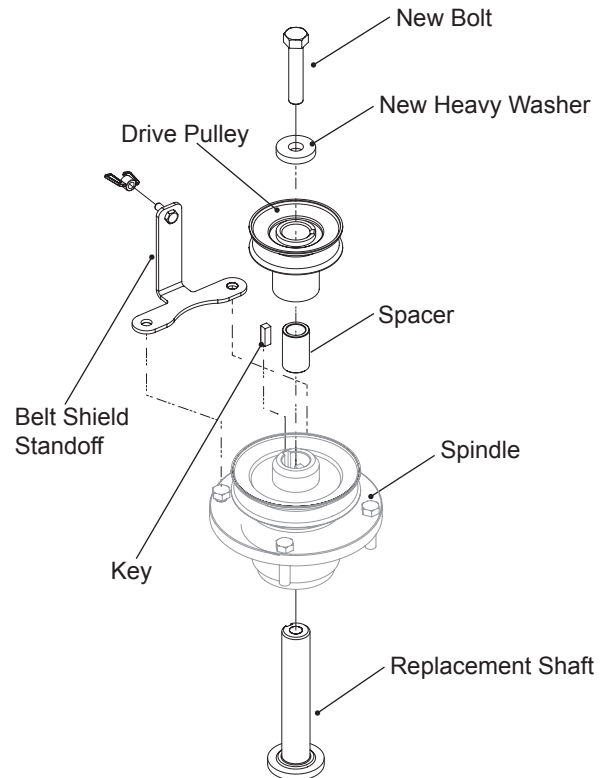
1 INSTALLING DRIVE PULLEY

1. Remove the discharge chute from the deck. (Deck configuration will vary by size and model)
2. Lower deck to the lowest cutting position.
3. To prevent interference with the new belt shield, reverse the bolt/nut assembly on the rear of the deck height adjustment plate.
4. Remove the right hand (discharge side) belt cover from the deck.



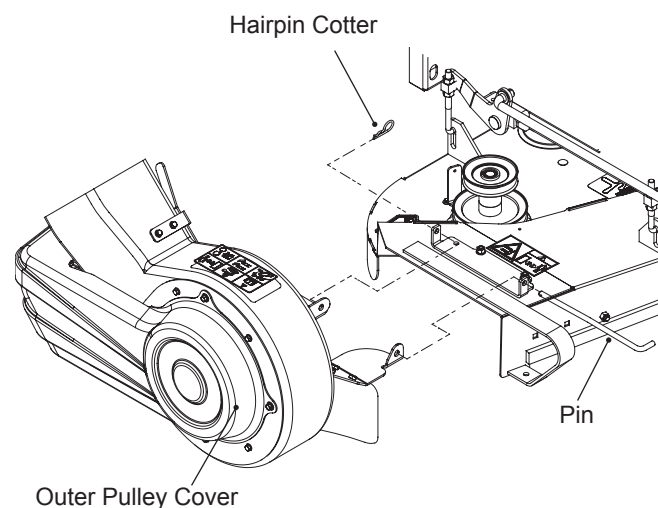
5. Remove the bolt securing the right hand deck pulley to the spindle.
6. Replace right blade shaft with new, longer shaft. The existing drive pulley and key will fit on the new shaft. Install blower drive pulley with the raised portion of pulley hub down. Slide spacer inside new pulley. Add key to new pulley.
7. Remove two rear bolts from spindle and place belt shield standoff where the two bolts were removed. Replace bolts and tighten.

8. Use heavy washer and bolt supplied in kit to attach pulley to spindle. Torque to 55-75 ft/lbs.
9. Reinstall the deck belt.



2 MOUNTING BLOWER ASSEMBLY

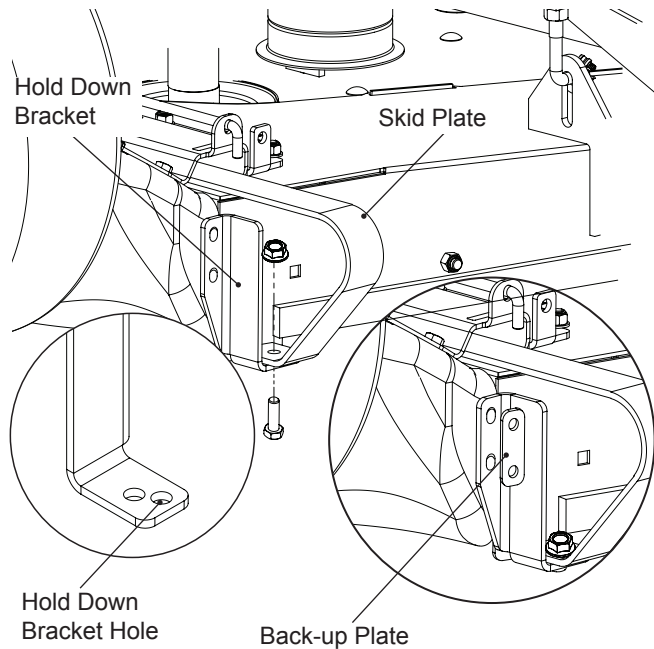
1. Install the front mount bracket to the deck with the pin and hairpin cotter supplied with the kit.



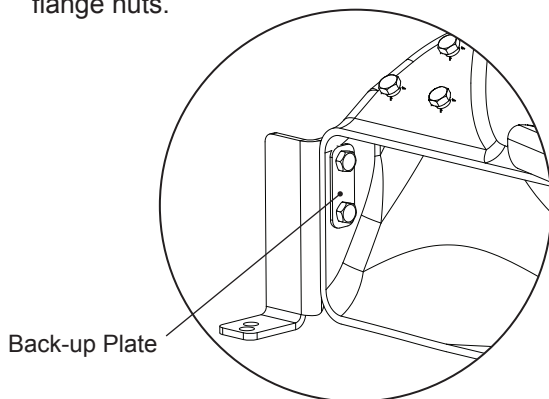
ASSEMBLY

3 INSTALLING HOLD DOWN BRACKET

1. Temporarily secure the hold down bracket to the skid plate, using a bolt and nut from the kit and the outer hole in the bracket.
If needed, prop the blower housing up so it sits vertically level, but leave no more than an $\frac{1}{8}$ " gap between the deck and blower housing.

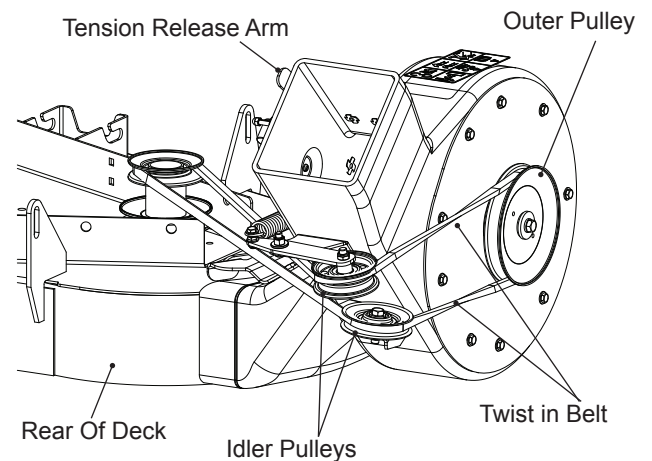


2. Using the back-up plate as a template, drill holes in blower housing through the slots on the hold down bracket. Drill in the middle of the bracket slots to allow for adjustment if needed. Remove hold down bracket.
3. Remove blower housing. Place back-up plate inside the blower housing, lining up new drill holes and back-up plate. Install the hold down bracket by inserting bolts from the inside, through the blower housing and into the bracket slots. Secure with flange nuts.



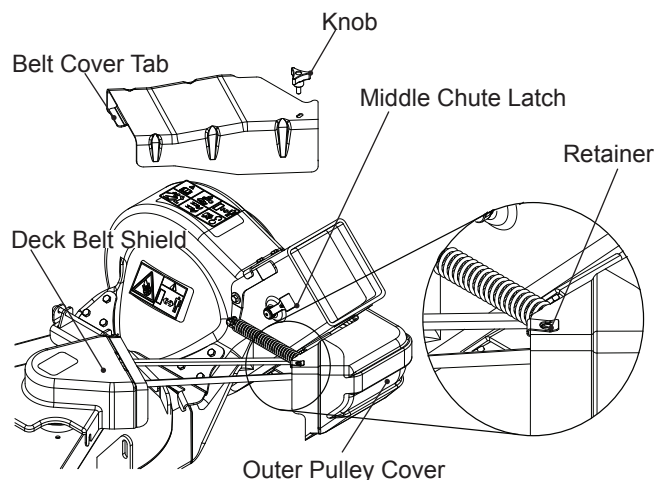
4 INSTALLING DRIVE BELT

1. Make sure the tension release lever is forward or disengaged.
2. Place the belt over the pulley on the deck. Refer to illustration for proper routing.
3. Move the tension release arm to the rear and engage in the latch.



5 INSTALLING BELT COVERS

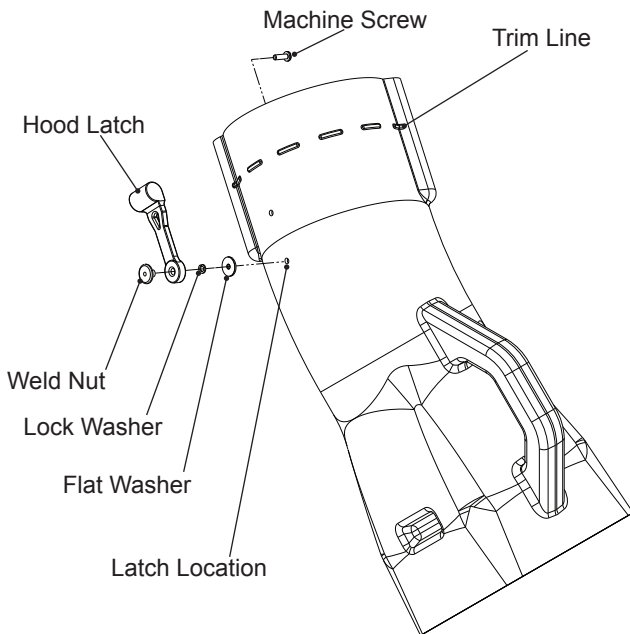
1. Place the deck belt shield on the deck over the drive pulley and secure with hardware removed from steel belt shield.
2. Place retainer on the outer pulley cover.
3. Align the tab end of the belt cover into the slot on the deck belt shield and the other end over the end of the outer pulley cover.
4. Secure with knob.



ASSEMBLY

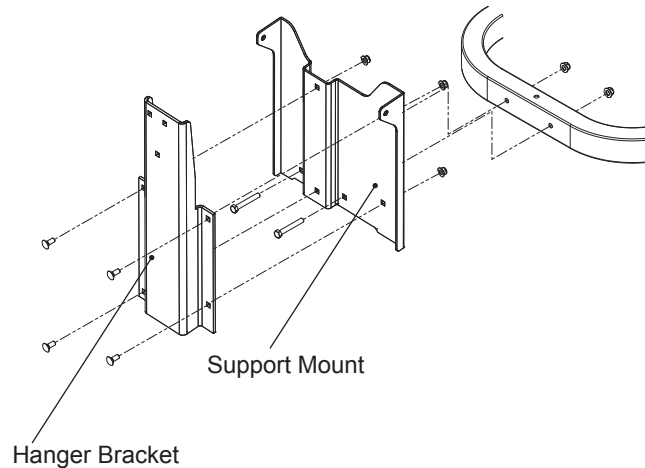
6 TRIMMING MIDDLE CHUTE

1. Using the hacksaw, trim along the dashed line.
2. Locate the middle chute, flat washer, hood latch, weld nut, lock washer and machine screw from kit.
3. Install in the appropriate hole at the upper end of the middle chute, according to deck size.



7 INSTALLING BAGGER MOUNT

1. Using hardware provided in kit, attach support mount to unit.
2. Attach hanger bracket to support mount. Do not fully tighten nuts at this time.

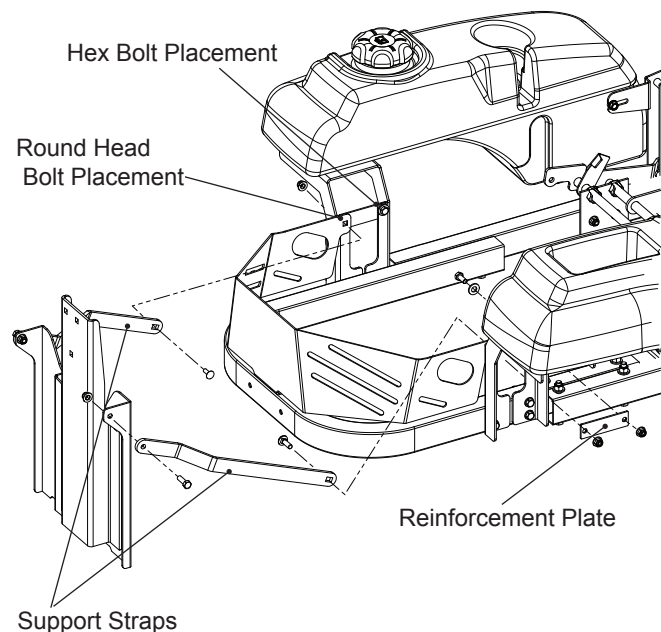
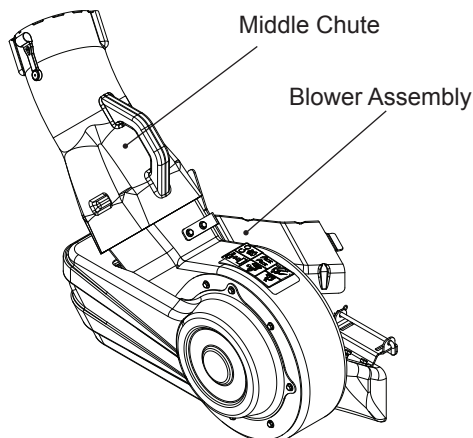


3. Secure rear end of support straps to outside of hanger assembly. Set reinforcement plates to the outside of the tank brackets and fasten front end of support strap to tank bracket and reinforcement plate with round head bolt. Secure front end of reinforcement plate to tank bracket with hex bolt. Fully secure all mounting hardware. See illustration.

NOTE: Rear guard hole may need to be drilled out to $\frac{5}{16}$ " if kit hardware is too large.

7 INSTALLING MIDDLE CHUTE

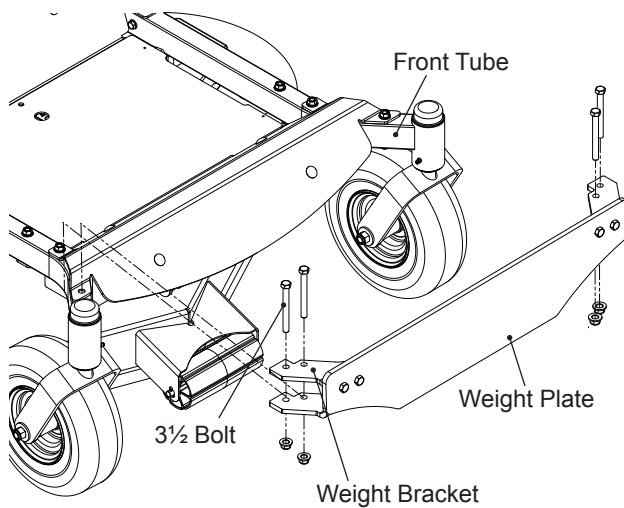
1. Place middle chute over the top end of the blower assembly.
2. Latch middle chute to blower assembly.



ASSEMBLY

8 INSTALLING WEIGHT KIT

1. Bolt cast weight to weight brackets using $\frac{3}{8}$ -16 x $1\frac{1}{4}$ bolts and four nuts.
2. Slide both weight brackets over the front tube on the frame. Be sure to position the weight assembly in the center of the frame.
3. Secure with $\frac{3}{8}$ -16 x $3\frac{1}{2}$ bolts and four nuts.



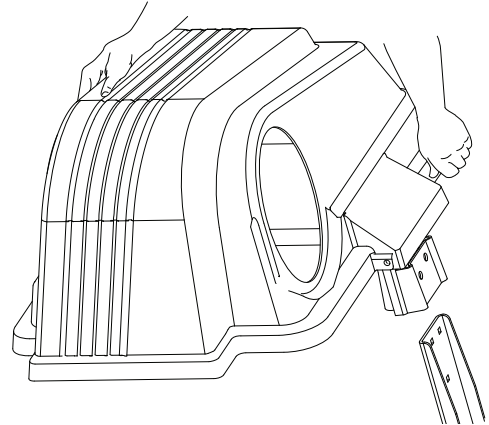
CAUTION

DO NOT operate mower with grass catcher without front weight installed.

9 MOUNTING COVER ASSEMBLY

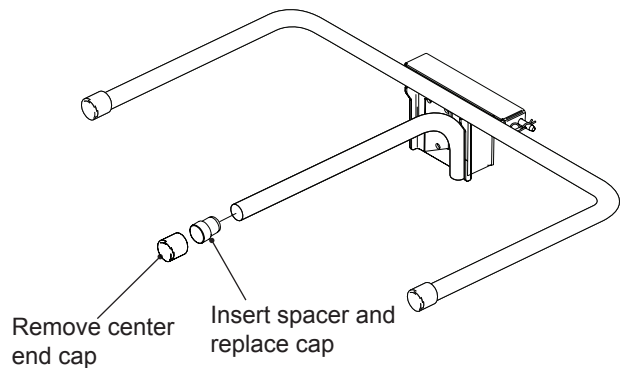
NOTE: Assistance from another person may ease mounting the cover assembly to mower.

1. Lift and rotate cover to align the cover brackets with support assembly tubes.
2. Slide the cover down over the support tubes until secure.



10 INSTALLING SPACER PLUGS

1. Remove plastic end caps from the center bag support arm. Fully insert spacer plug into the end of the support tube. It may be necessary to tap the spacer into place with a hammer or mallet. Replace the plastic end cap back over the spacer. The additional extension will hold the hood more securely when latched.



OPERATION

TIPS FOR IMPROVED BAGGING

Follow the mower operation instructions in your mower operator's manual.

When operating your grass catcher on a lawn where grass and leaf bagging equipment has not been used, you are picking up thatch and debris that has accumulated for long periods of time. The amount collected and the total time of operation may be greater than you will experience with regular use of your grass catcher.

- Always run throttle at full speed when bagging.
 - Select a speed low enough to give good mower cutting performance, good quality cut and good bagging performance.
- NOTE: It may be necessary to overlap width of cut to suit your conditions.*
- If grass is extremely tall, it should be mowed twice. The first time relatively high, the second time to desired height.

- Use left hand side of mower for trimming.
- Plastic trash bags (3.0 mil, 30 gallon) can be inserted inside grass catcher containers for ease of debris disposal. To remove the plastic trash bags when full:
 - a. Disengage blades, shift into neutral, engage the parking brake and stop the engine.
 - b. Unlatch and raise cover.
 - c. Remove one container at a time by grasping container handles and pulling toward the rear, off of the tube rails.
 - d. With the container resting on the ground, close and secure the top of the plastic lawn bag.
 - e. Tip the container on its side and slide the filled bag from the container.
 - f. Install a new plastic lawn bag with the edges of the bag draped over upper lip of the Container (for replacement bags refer to REPLACEMENT PARTS).
 - g. Repeat for other container.
 - h. Reinstall containers making sure right container overlaps left container at center supports.
 - i. Close cover and secure latches over center support tubes.
- Avoid cutting wet grass or in the morning while the dew is still heavy. Grass clippings collected under these conditions tend to be sticky and adhere to the walls of the flow path causing clogging.

- If the grass catcher fails to pick up cut grass or leaves, it is an indication that clogging has occurred in the system or that the grass catcher containers are full.
 - a. Disengage blades, place motion control levers in neutral position.
 - Unlatch and raise cover.
 - Slide out containers and dispose of clippings.
 - Replace containers, close cover, and latch.
 - b. Unlatch chutes and check for clogging.
 - Remove all debris in chute.
 - Reassemble and latch chutes.

GENERAL RECOMMENDATIONS

Always observe safety rules when performing any maintenance.

- Before each use check for loose fasteners.
- Clean unit thoroughly after each use.

BLADE CARE

For best results mower blades must be kept sharp. Replace bent or damaged blades.

- See BLADE CARE instructions in your mower operator's manual.



CAUTION

BEFORE PERFORMING MAINTENANCE, SERVICE OR ADJUSTMENTS:

- **Set parking brake.**
- **Place motion control levers in "NEUTRAL" position.**
- **Place clutch control in "DISENGAGED" position.**
- **Turn ignition key to "OFF" position.**
- **Make sure blades and all moving parts have completely stopped.**
- **Disconnect spark plug wire(s) from spark plug(s) and place wire where it cannot come in contact with plug.**

OPERATION

STORAGE

When grass catcher is to be stored for a period of time, clean it thoroughly, remove all dirt, grass, leaves, etc. Store in a clean, dry place.



CAUTION

- **DO NOT** operate mower with grass catcher partially installed.
- Disengage blades and stop engine before leaving mower seat to empty containers, unclogging chutes, etc.
- Close cover before starting.
- Disengage mower blades when crossing driveways or gravel surfaces and other areas where thrown objects could be a hazard.
- **DO NOT** attempt to vacuum cans or other potentially hazardous projectiles.



CAUTION

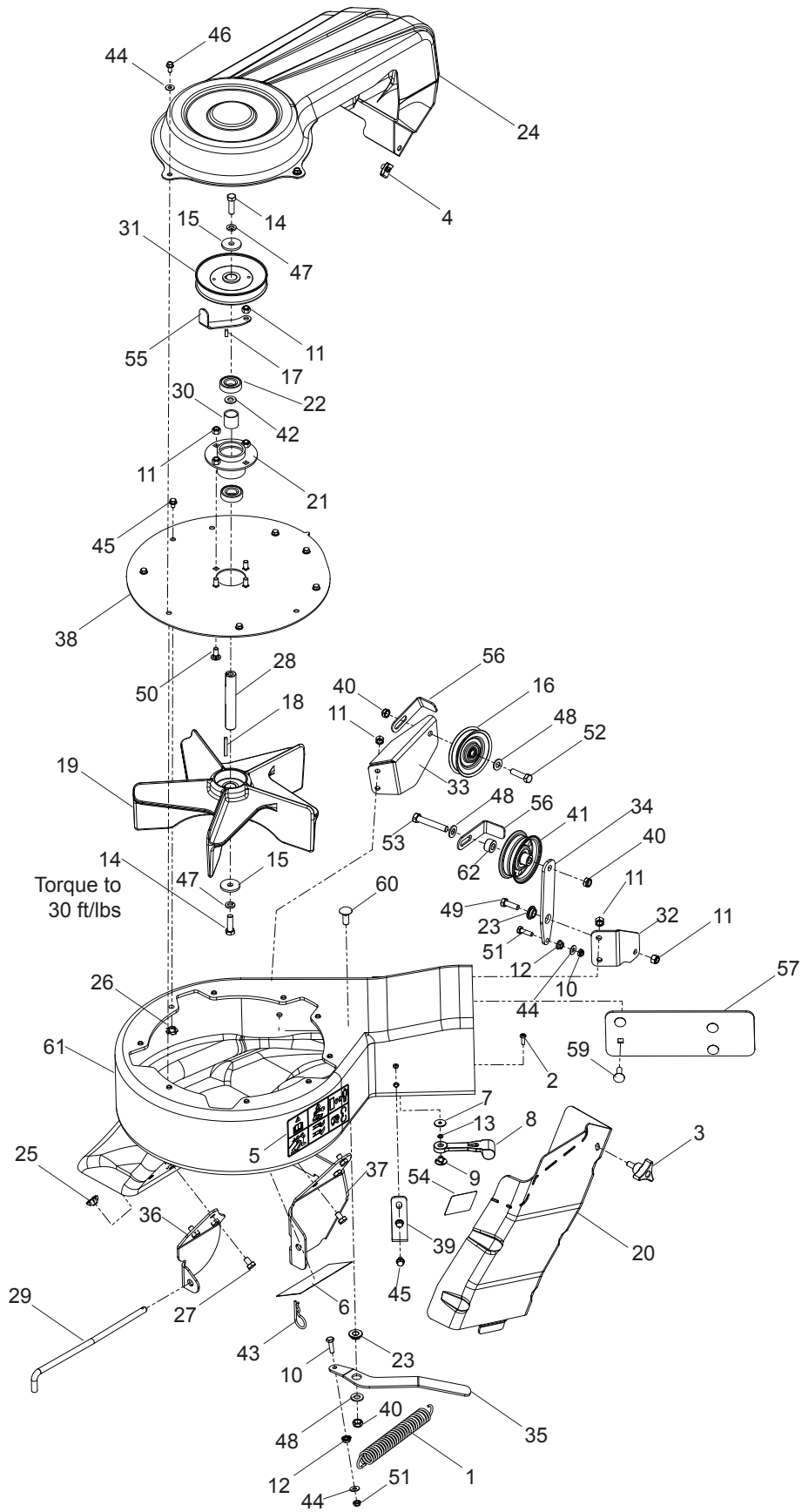
Do not leave grass in bagger containers. Empty containers after each use and before storing. Failure to do so may result in spontaneous combustion which could develop into a fire.



CAUTION

Grass catcher components are subject to wear, damage and deterioration, which could expose moving parts or allow objects to be thrown. Frequently check components and replace with manufacturer's recommended parts, when necessary.

REPAIR PARTS

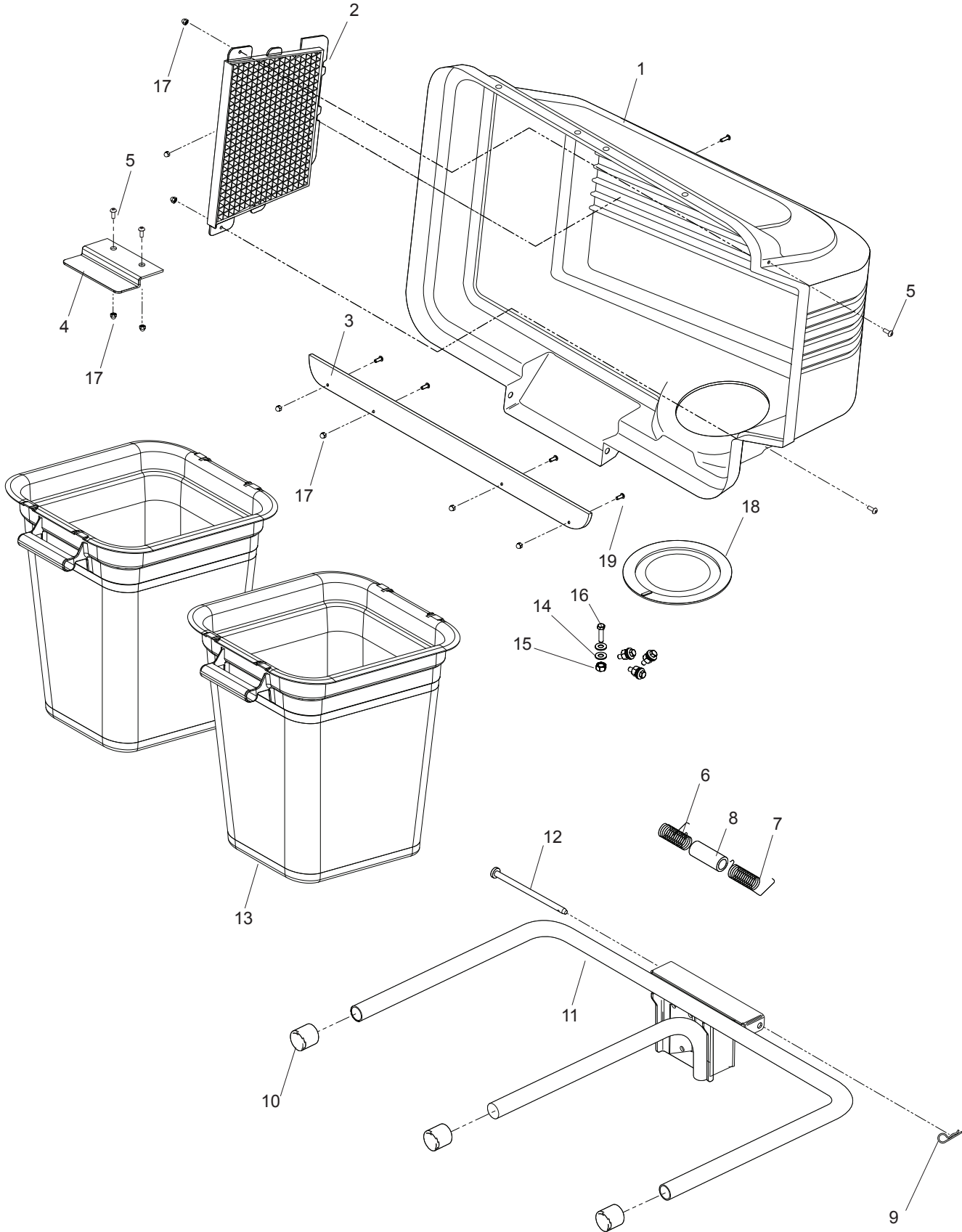


REPAIR PARTS

ITEM	PART NO.	QTY.	DESCRIPTION	ITEM	PART NO.	QTY.	DESCRIPTION
1..	539 101977....	1....	TRACTION SPRING	32..	539 130335....	1....	MOUNT, IDLER, UPPER
2..	539 976952....	1....	SCREW 10-24 x .625 RD	33..	539 130336....	1....	MOUNT, IDLER, LOWER
3..	539 104411....	1....	KNOB W/STUD	34..	539 130337....	1....	ARM, IDLER
4..	539 104763....	1....	RETAINER U TYPE	35..	539 130338....	1....	ARM, TENSION
5..	539 105785....	1....	DECAL, WARNING	36..	539 130205....	1....	BRACKET, MOUNT, FRONT
6..	539 106741....	1....	DECAL, SEVERING	37..	522 949902....	1....	BRACKET, MOUNT, REAR
7..	539 108084....	4....	WASHER $\frac{3}{16}$ x $\frac{3}{4}$ x 16 GA	38..	539 130341....	1....	PLATE, OUTER
8..	539 108088....	1....	LATCH, HOOD	39..	539 130346....	1....	KEEPER
9..	539 108089....	1....	WELD NUT, PLATED	40..	539 200282....	3....	NUT $\frac{3}{8}$ -16 HEX JAM NYLOC
10..	539 108120....	2....	NUT $\frac{1}{4}$ -20 HEX NYLOC	41..	539 919078....	1....	PULLEY, IDLER
11..	539 990717....	9....	NUT $\frac{5}{16}$ -18 HEX NYLOC	42..	539 910935....	1....	WASHER
12..	539 108735....	2....	NUT $\frac{1}{4}$ -20 HEX FLANGE	43..	539 115501....	1....	HAIRPIN COTTER, $\frac{1}{8}$ x $1\frac{3}{4}$
13..	539 109552....	2....	WASHER $\frac{3}{16}$ LOCK	44..	539 990055..	13....	WASHER $\frac{1}{4}$ FLAT SAE
14..	539 110321....	2....	BOLT, HEX $\frac{3}{8}$ -24 x $1\frac{1}{4}$ GR 8	45..	539 990302....	8....	SCREW $\frac{1}{4}$ x $\frac{3}{8}$ THRD FRM
15..	539 110323....	2....	WASHER, HARDENED	46..	539 108461....	3....	HCS $\frac{1}{4}$ -20 x $\frac{1}{2}$
16..	539 113683....	1....	V-IDLER	47..	539 990118....	2....	WASHER $\frac{3}{8}$ SPLT LOCK
17..	539 115667....	1....	KEY $\frac{3}{16}$ x $\frac{1}{2}$	48..	539 990122....	2....	WASHER $\frac{3}{8}$ SAE FLT
18..	539 125229....	1....	KEY $\frac{3}{16}$ x $1\frac{1}{2}$	49..	539 990209....	1....	HCS $\frac{5}{16}$ -18 x 1
19..	539 130292....	1....	IMPELLER	50..	539 990316....	4....	RHSNB $\frac{5}{16}$ -18 x $\frac{3}{4}$
20..	539 130293....	1....	COVER, BELT	51..	539 990643....	2....	HCS $\frac{1}{4}$ -20 x $\frac{7}{8}$
21..	539 130295....	1....	HUB, BEARING	52..	539 990655....	1....	HCS $\frac{3}{8}$ -16 x $1\frac{1}{2}$
22..	539 130296....	2....	BEARING	53..	539 990692....	1....	WASHER $\frac{5}{16}$ STD FLT
23..	539 130301....	2....	BUSHING	54..	539 130349....	1....	DECAL, BELT ROUTING
24..	539 130309....	1....	COVER, OUTER PULLEY	55..	539 131085....	1....	KEEPER, BELT, OUTER
25..	539 130313....	6....	NUT $\frac{5}{16}$ -18 TEE	56..	539 131087....	2....	KEEPER, BELT, REAR
26..	539 130314....	11....	NUT $\frac{1}{4}$ -20 TEE	57..	539 132122....	1....	PLATE, BACKING
27..	539 130315....	6....	HCS $\frac{5}{16}$ -18 x $\frac{1}{2}$	58..	539 132124....	1....	PLATE, BACKING
28..	539 130316....	1....	SHAFT, IMPELLER	59..	539 990208....	4....	RHSNB $\frac{5}{16}$ -18 x 1
29..	539 116225....	1....	PIN	60..	539 990645....	1....	RHSNB $\frac{3}{8}$ -16 x 1
30..	539 130323....	1....	SPACER	61..	539 130344....	1....	HOUSING w/DECALS
31..	539 130324....	1....	PULLEY	62..	510 116501....	1....	SPACER, BELT RETAINER

NOTE: ALL FASTENERS ARE GRADE 5 UNLESS OTHERWISE SPECIFIED.

REPAIR PARTS

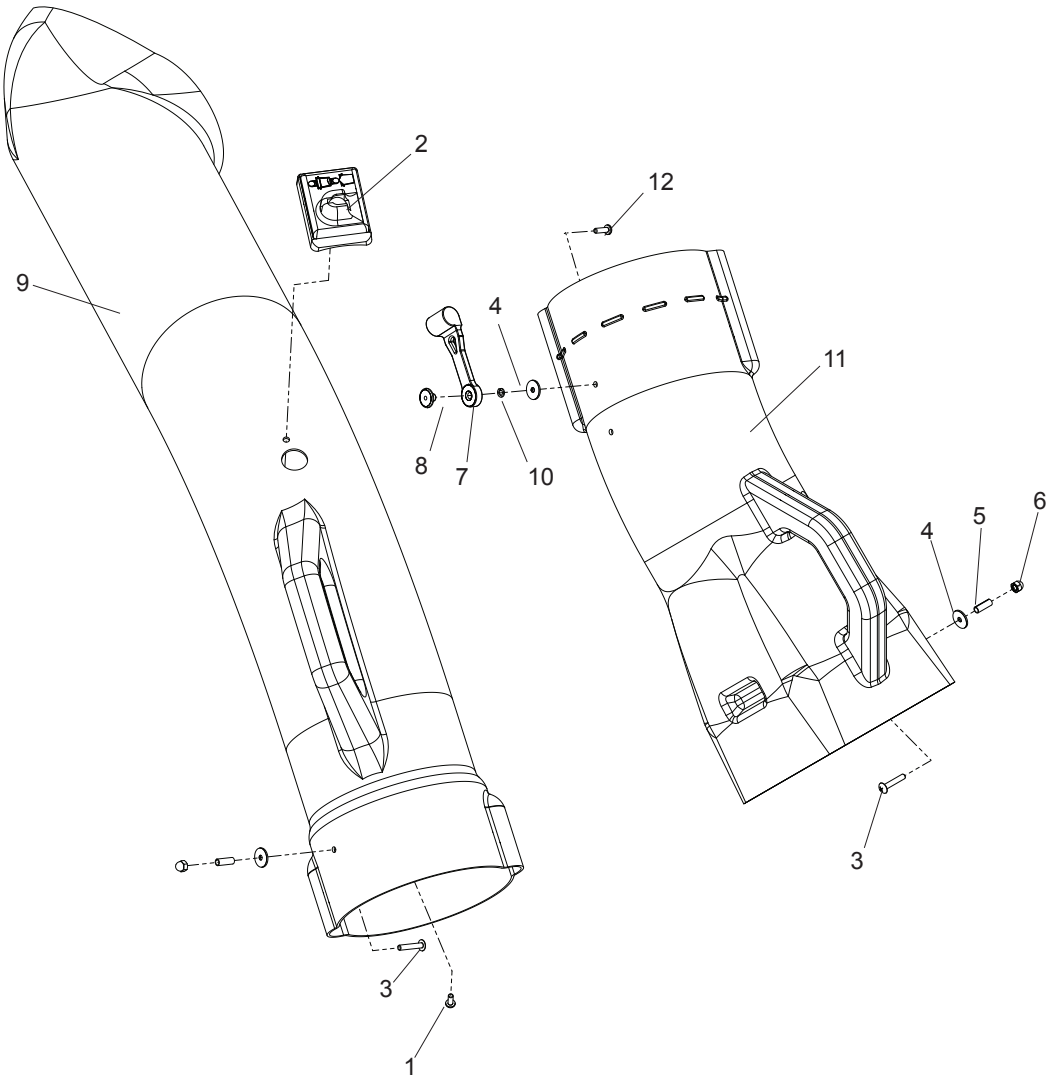


REPAIR PARTS

ITEM	PART NO.	QTY.	DESCRIPTION	ITEM	PART NO.	QTY.	DESCRIPTION
1..	539 111139	1....	COVER ASSM, COMPLETE	11..	532 179746....	1....	BAGGER, FRAME
2..	532 127533....	1....	SCREEN, COVER	12..	532 192786....	1....	PIN, HINGE
3..	532 155042....	1....	STRIP, REINFORCEMENT	13..	532 400226....	2....	CONTAINER, SOFT BAG
4..	532 130895....	1....	LATCH HANDLE, COVER	14..	539 105408....	8....	WASHER #10 FLAT
5..	539 976952....	5....	SCREW #10-24 x ⁵ / ₈	15..	539 976977....	4....	NUT #10-24 HEX NYLOC
6..	532 132796....	1....	SPRING, COVER, LH	16..	539 106312....	4....	HMS #10-24 x ³ / ₄
7..	532 132983....	1....	SPRING, COVER RH	17..	539 108086....	9....	NUT #10-24 ACORN
8..	532 133235....	1....	SPACER, COVER	18..	532 127534....	1....	GASKET
9..	539 108096....	1....	SPRING, RETAINER	19..	539 108081....	4....	SCREW #10-24 x ¹ / ₂
10..	539 108097....	3....	CAP, TUBING END				

NOTE: ALL FASTENERS ARE GRADE 5 UNLESS OTHERWISE SPECIFIED.

REPAIR PARTS

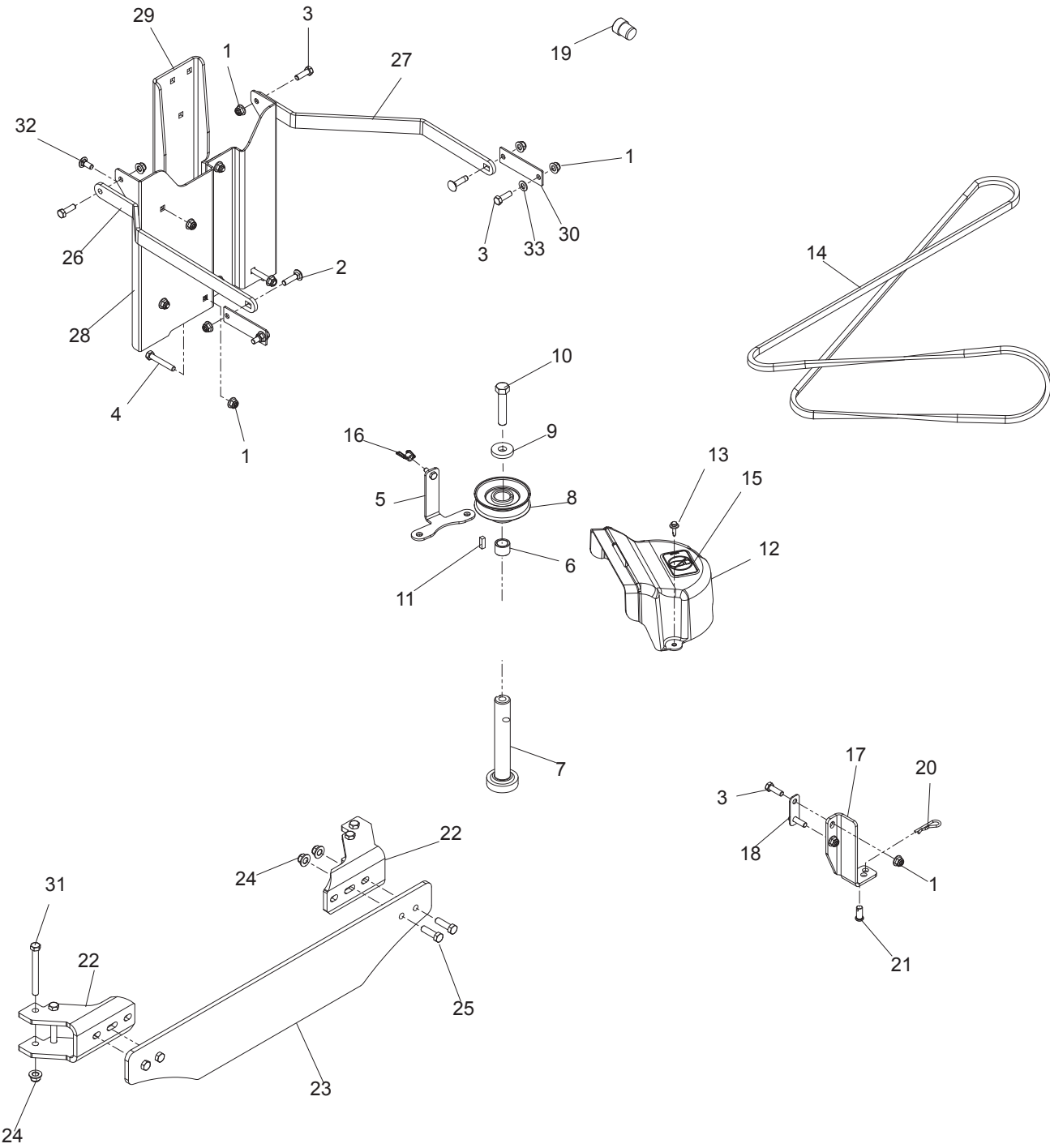


REPAIR PARTS

ITEM	PART NO.	QTY.	DESCRIPTION	ITEM	PART NO.	QTY.	DESCRIPTION
1..	539 108081....	1....	SCREW, SPEC 10-14 x 1/2	7..	539 108088....	1....	LATCH, HOOD
2..	539 108082....	1....	INDICATOR, BAG DUMP	8..	539 108089....	1....	WELD NUT, PLATED
3..	539 108083....	2....	SCREW 10-24 x 1 1/8	9..	522 739201....	1....	CHUTE, UPPER
4..	539 108084....	3....	WASHER 3/16 x 3/4 x 16 GA	10..	539 109552....	2....	WASHER 3/16 LOCK
5..	539 108085....	2....	SPACER, SPLIT	11..	539 130294....	1....	CHUTE, MIDDLE
6..	539 108086....	2....	NUT, ACORN 10-24	12..	539 976952....	1....	SCREW 10-24 x .625 MACH

NOTE: ALL FASTENERS ARE GRADE 5 UNLESS OTHERWISE SPECIFIED.

REPAIR PARTS



REPAIR PARTS

ITEM	PART NO.	QTY.	DESCRIPTION	ITEM	PART NO.	QTY.	DESCRIPTION
1..	539 112899..	14....	NUT ⁵ / ₁₆ -18, FLANGE NYLOC	19..	522 801301....	1....	SPACER PLUG, BAGGER
2..	539 100472....	2....	RHSNB ⁵ / ₁₆ -18 x 1 ¹ / ₄	20..	539 108096....	1....	SPRING RETAINER
3..	539 990209....	6....	HCS ⁵ / ₁₆ -18 x 1	21..	539 107697....	1....	CLEVIS PIN
4..	539 976937....	2....	HCS ⁵ / ₁₆ -18 x 2	22..	522 923202....	2....	BRACKET, WEIGHT
5..	539 133040....	1....	STANDOFF, BELT SHIELD	23..	539 113232....	1....	WEIGHT PLATE
6..	522 956401....	1....	SPACER, DRIVE PULLEY	24..	521 996501....	8....	NUT ³ / ₈ -16, FLG NYLOC
7..	539 121105....	1....	SHAFT	25..	539 976941....	4....	HCS ³ / ₈ -16 x 1 ¹ / ₄
8..	522 956501....	1....	PULLEY	26..	522 854402....	1....	STRAP, SUPPORT, RT
9..	539 115636....	1....	WASHER ¹ / ₂	27..	522 854502....	1....	STRAP, SUPPORT, LT
10..	539 133070....	1....	HCS ¹ / ₂ -20 x 2 ¹ / ₂	28..	522 854602....	1....	MOUNT, 2 BIN COLLECT
11..	539 116196....	1....	OUTER SHAFT KEY	29..	522 854702....	1....	BRACKET, COLLECTION
12..	525 399301....	1....	SHIELD, BELT	30..	523 112802....	2....	PLATE REINFORCEMENT
13..	539 115643....	1....	SCREW #12-14 x ³ / ₄ SLF TAP	31..	539 408271....	4....	HCS ³ / ₈ -16 x 3 ¹ / ₂
14..	539 128512....	1....	BELT	32..	539 990316....	4....	RHSNB ⁵ / ₁₆ -18 x ³ / ₄
15..	539 105743....	1....	DECAL, NO STEP	33..	539 990188....	2....	WASHER ⁵ / ₁₆ SAE
16..	539 990997....	1....	WINGNUT ¹ / ₄ -20, NYLOC	NOT SHOWN:			
17..	522 860702....	1....	BRACKET, HOLD DOWN		965 610901 ...	1....	KIT, SEAL FASTENING
18..	522 674502....	1....	PLATE, BACK UP				

NOTE: ALL FASTENERS ARE GRADE 5 UNLESS OTHERWISE SPECIFIED.

Free Manuals Download Website

<http://myh66.com>

<http://usermanuals.us>

<http://www.somanuals.com>

<http://www.4manuals.cc>

<http://www.manual-lib.com>

<http://www.404manual.com>

<http://www.luxmanual.com>

<http://aubethermostatmanual.com>

Golf course search by state

<http://golfingnear.com>

Email search by domain

<http://emailbydomain.com>

Auto manuals search

<http://auto.somanuals.com>

TV manuals search

<http://tv.somanuals.com>