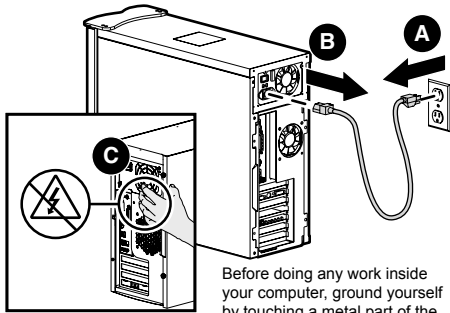




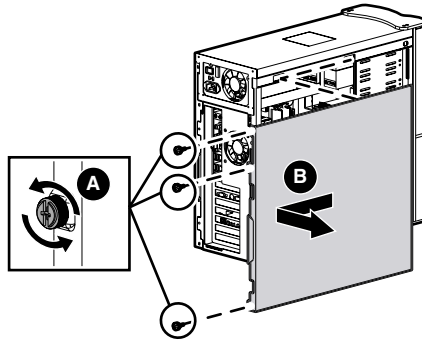
BEFORE YOU BEGIN

1 Unplug the computer and ground yourself

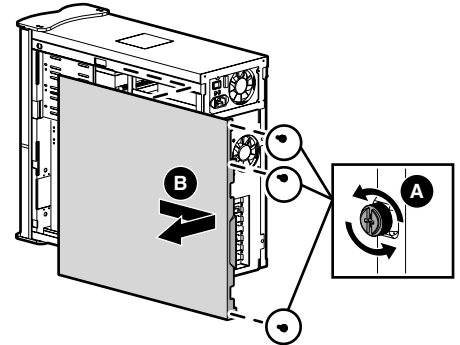


Before doing any work inside your computer, ground yourself by touching a metal part of the computer's frame.

2 Remove side cover 1

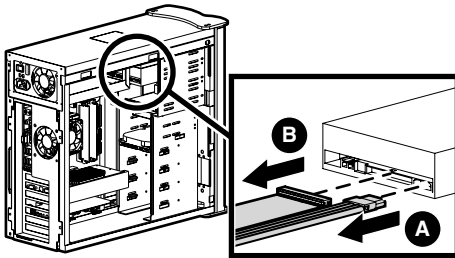


3 Remove side cover 2

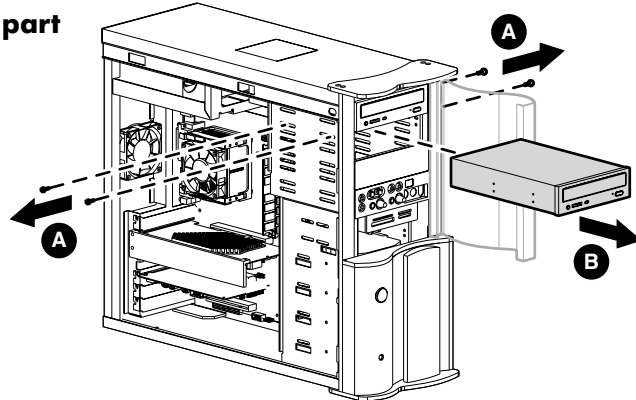


CD/DVD DRIVE

1 Remove connectors

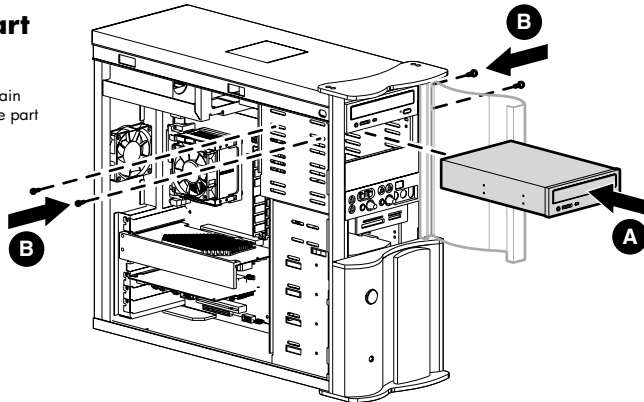


2 Remove part



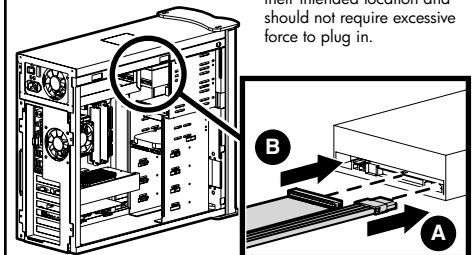
3 Replace part

Your replacement kit may contain more parts than needed for the part you are replacing.



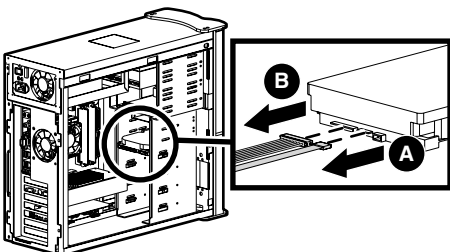
4 Replace connectors

All connectors are keyed for their intended location and should not require excessive force to plug in.

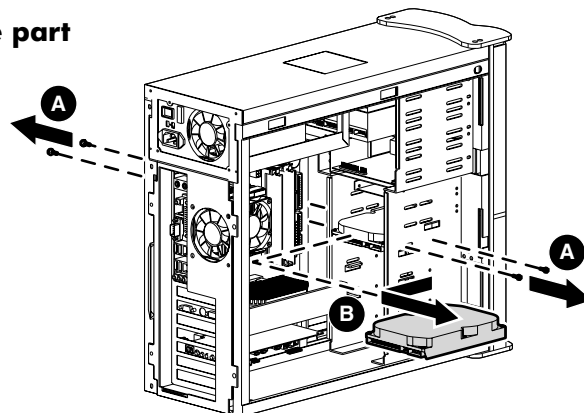


HARD DRIVE

1 Remove connectors

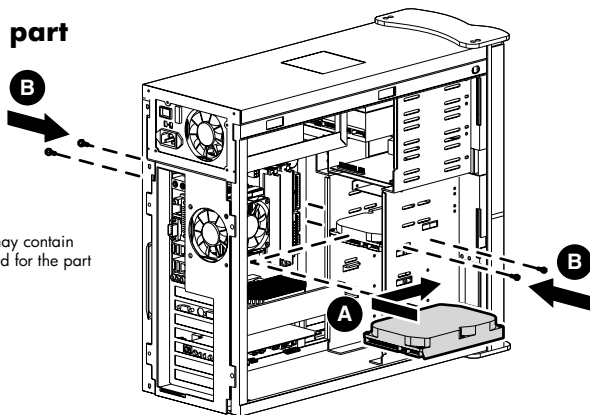


2 Remove part



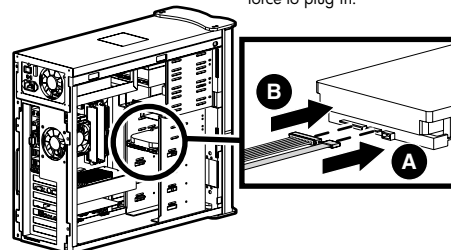
3 Replace part

Your replacement kit may contain more parts than needed for the part you are replacing.



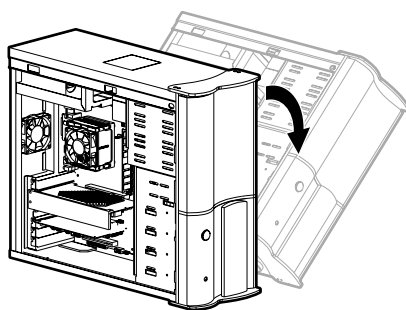
4 Replace connectors

All connectors are keyed for their intended location and should not require excessive force to plug in.

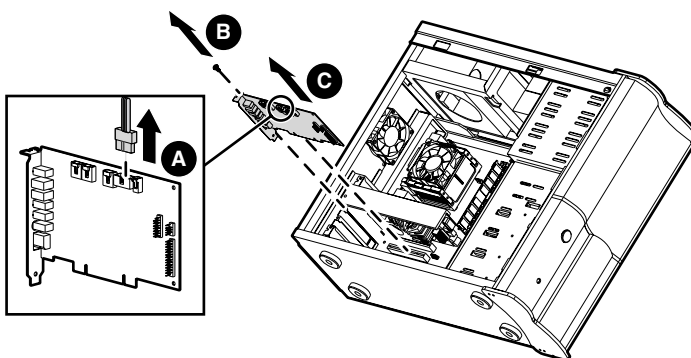


EXPANSION/RAID CARD

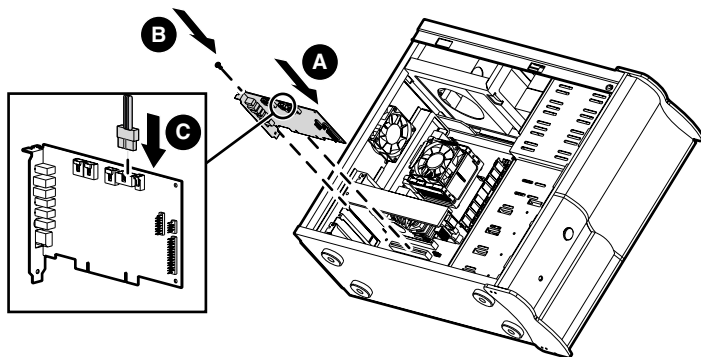
1 Lay down computer



2 Remove connectors (if applicable) and remove part

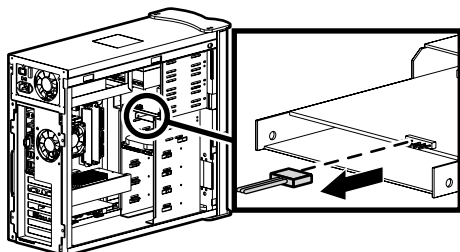


3 Replace part and replace connectors (if applicable)

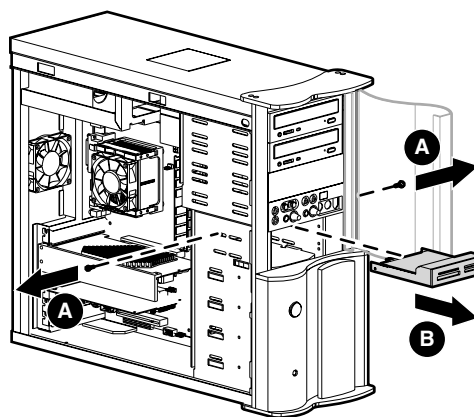


6-in-1 MEDIA READER

1 Remove connector



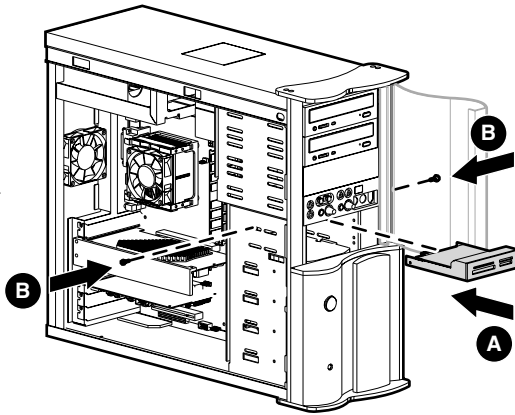
2 Remove part



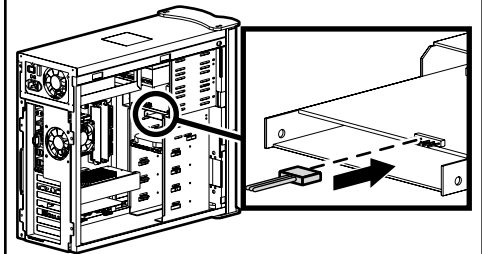


3 Replace part

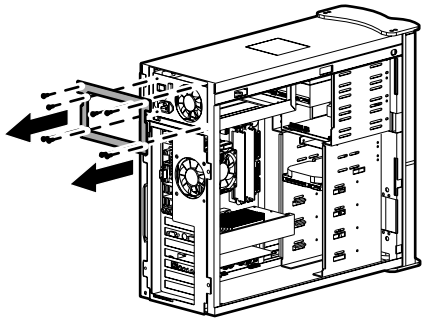
Your replacement kit may contain more parts than needed for the part you are replacing.



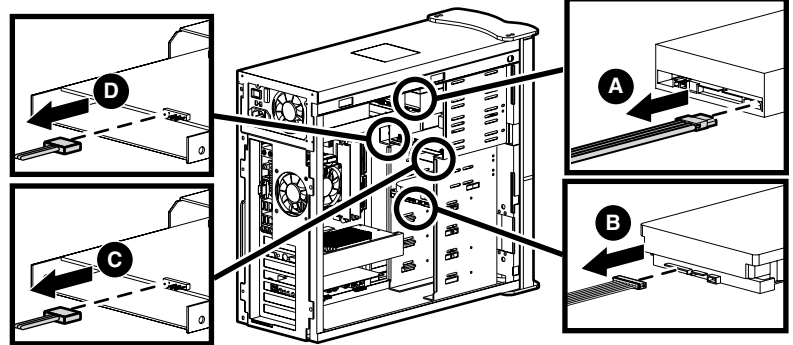
4 Replace connector



1 Remove power supply bracket

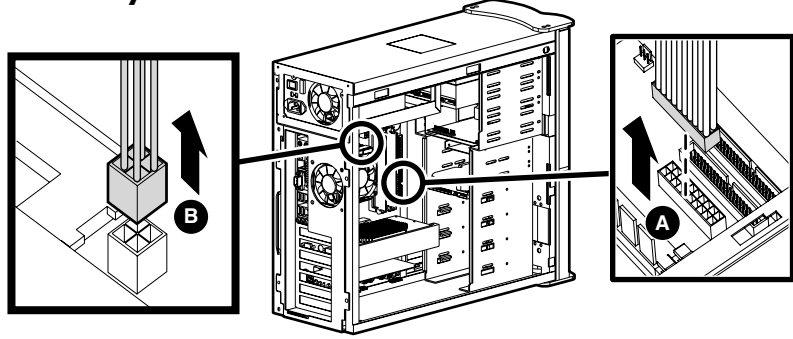


2 Remove drive connectors

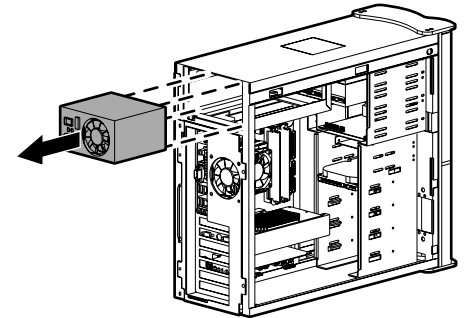


POWER SUPPLY

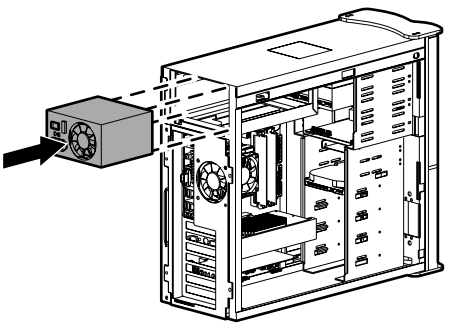
3 Remove system connectors



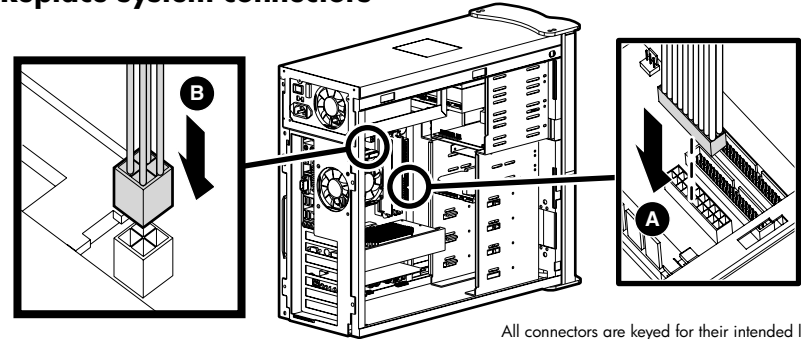
4 Remove power supply



5 Replace power supply



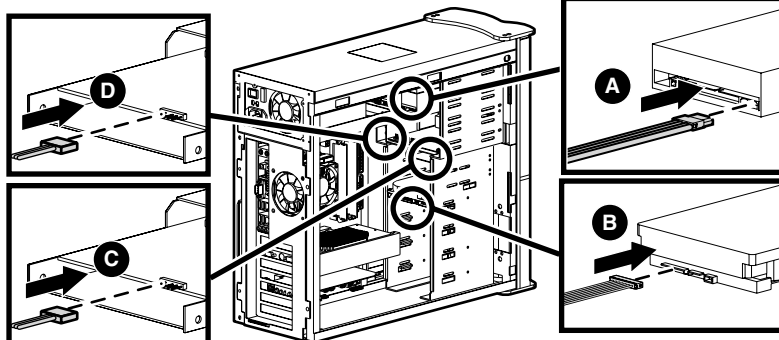
6 Replace system connectors



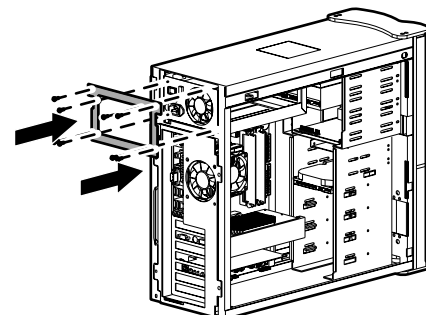
All connectors are keyed for their intended location and should not require excessive force to plug in.

7 Replace drive connectors

All connectors are keyed for their intended location and should not require excessive force to plug in.

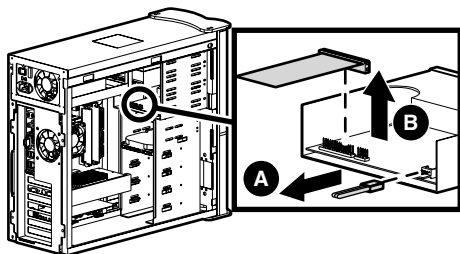


8 Replace power supply bracket

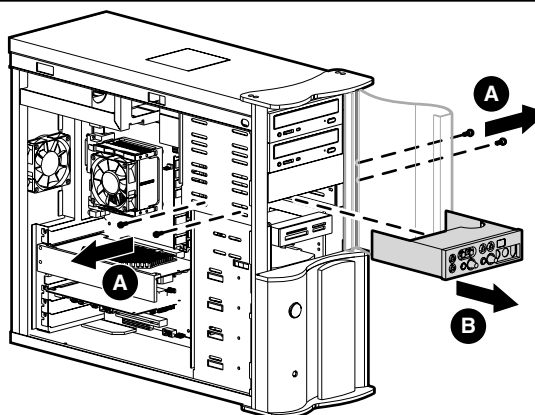


SOUND BLASTER

1 Remove connectors

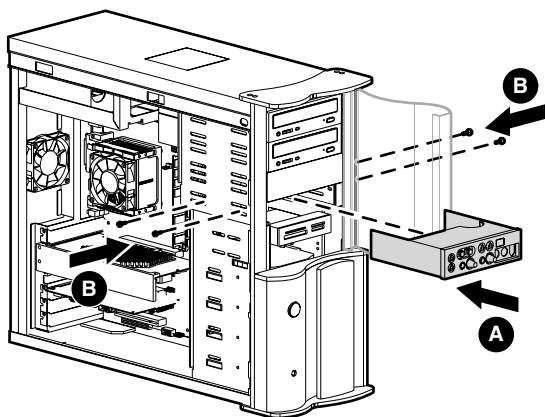


2 Remove part



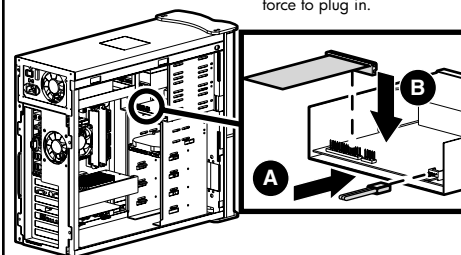
3 Replace part

Your replacement kit may contain more parts than needed for the part you are replacing.



4 Replace connectors

All connectors are keyed for their intended location and should not require excessive force to plug in.



Free Manuals Download Website

<http://myh66.com>

<http://usermanuals.us>

<http://www.somanuals.com>

<http://www.4manuals.cc>

<http://www.manual-lib.com>

<http://www.404manual.com>

<http://www.luxmanual.com>

<http://aubethermostatmanual.com>

Golf course search by state

<http://golfingnear.com>

Email search by domain

<http://emailbydomain.com>

Auto manuals search

<http://auto.somanuals.com>

TV manuals search

<http://tv.somanuals.com>