



INSTALLATION INSTRUCTIONS

ADVANTAGE™ FIREPLACE

FP28 & FP36

LISTINGS & CODE APPROVALS

These fireplace systems have been tested in accordance with Underwriters' Laboratory and Underwriters' Laboratories of Canada Procedures and have been Listed by these agencies for installation and operation as described in these instructions and in the Care and Operation booklet accompanying each fireplace.

These systems have been approved by various national and regional building code agencies including:

BOCAI
ICBO
SBCC

They comply with all HUD and FHA requirements as outlined in U.S. Department of Housing and Urban Development Revised Minimum Property Standard Section 610-1 and satisfy the requirements of the New York State Energy Code.

Check with your local building code agency before you begin installation. If any problems are encountered regarding code approvals, or if you wish clarification of any of the directions contained herein, contact:

Customer Service Department
HEATILATOR INC.
P.O. Box 10360
4725 Merle Hay Road
Des Moines, Iowa 50306

WARNING

This Heatilator Fireplace and components are designed to be installed and operated as a system. Any alteration to or substitution for items in this system unless allowed by these Installation Instructions, will VOID the Underwriters' Laboratory listing and the product warranty and may create a hazardous installation. Read through these instructions thoroughly prior to starting your installation and follow them carefully throughout your project.

THE FIREPLACE SYSTEM

The Heatilator Fireplace system consists of the following components:

- | | |
|---------------------|---------------------|
| 1. Fireplace | 4. Roof Termination |
| 2. Hearth Extension | 5. Grate |
| 3. Chimney system | |

Optional components include:

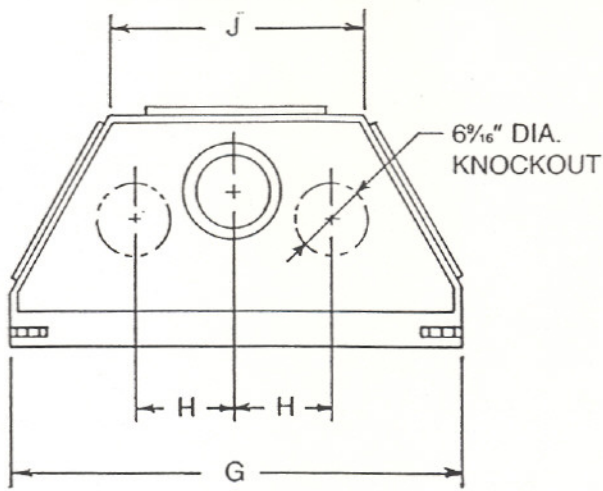
1. Glass Doors
2. Heat circulation duct system and extra ducting
3. Outside combustion air system
4. Blowers

THE FIREPLACE SYSTEM COMPONENTS

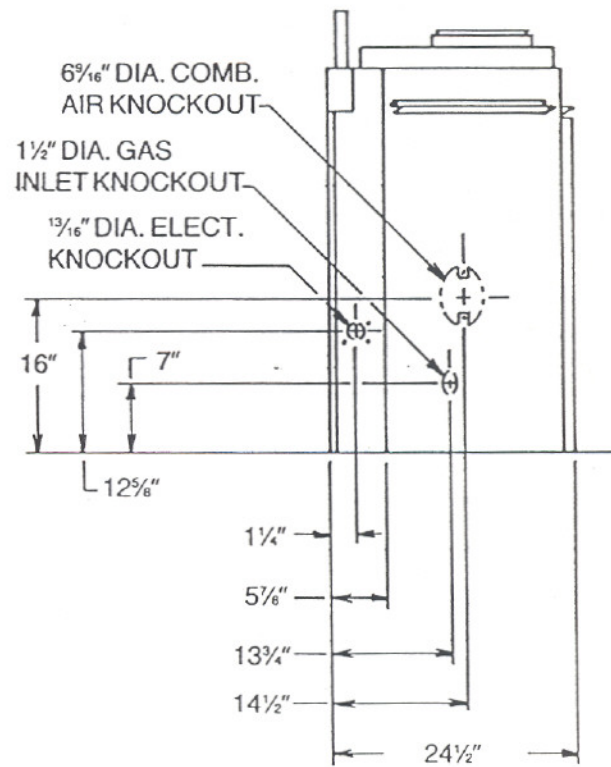
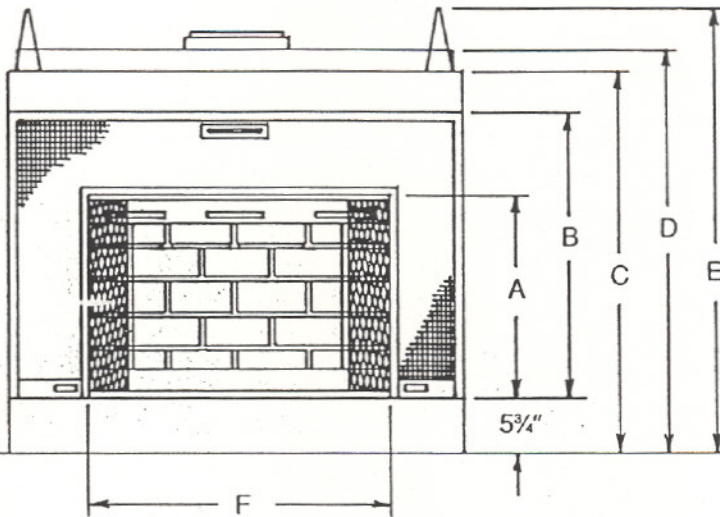
Catalog Designation	Description
FP28	Fireplaces
FP28C	Fireplaces— Canada
HX28	Hearth Extensions
GD28	Glass Doors — Bifold
—	Glass Doors — Extreme Heat (Currently unavailable)
GR28	Grates
FP36	Chimney Section — 6 inch long - 141
FP36C	Chimney Section — 12 inch long
HX36	Chimney Section — 36 inch long
GD36	Chimney Section — 48 inch long
HE36	Chimney Stabilizer
GR36	Chimney Offset/Return — 15°
IC806	Chimney Offset/Return — 30°
IC812	Firestop — Straight
IC836	Firestop — 15°
IC848	Firestop — 30°
SZ8	Firestop — Wall
OR815	Chimney Joint Band
OR830	Chimney Bracket
FS838	Chimney Storm Collar
FS839	Roof Flashing — Flat to 6/12 Pitch
FS840	Roof Flashing — 6/12 to 12/12 Pitch
WSP841	Roof Flashing — 12/12 to 24/12 Pitch
JB877	Chimney Terminal Cap — Round
CB876	Chimney Slip Section — For Brick
SC873	Red Brick Chimney Termination
RF870	Tan Brick Chimney Termination
RF871	Heat Circulation Duct & Outlet
RF872	Extra Heat Duct
RT874	Fan Kit
SL878	Air Kit — Outside Air, Uninsulated Duct
RB48	Chase Top
TB48	Chimney Strapping
CD10	
HD11	
FK15	
AK20, OD21	
CT36	
SZ810	

FIREPLACES

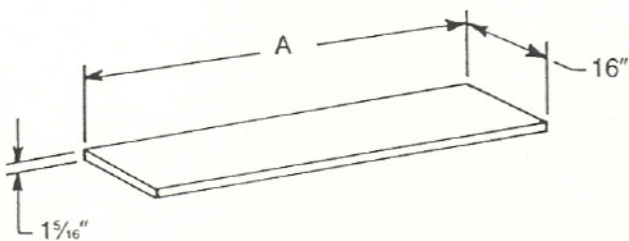
(All dimensions in inches)



DIM	FP28 FP28C	FP36 FP36C
A	15 3/8"	20 7/8"
B	23 1/2"	29"
C	32 1/4"	39 1/4"
D	34 1/4"	41 1/4"
E	38 1/4"	45 1/4"
F	25 7/8"	33 3/8"
G	38 3/16"	46 3/16"
H	12 1/2"	12"
J	18 1/2"	26 1/2"

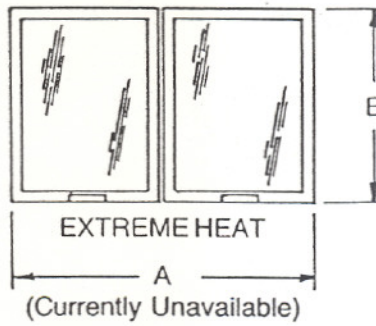
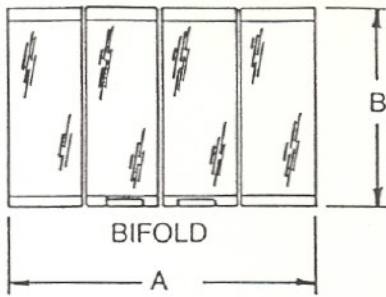


HEARTH EXTENSIONS



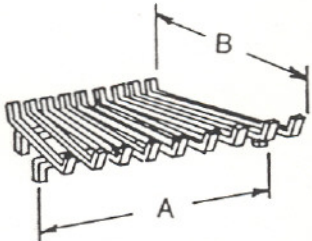
CAT. NO.	A
HX28	42"
HX36	50"

GLASS DOORS



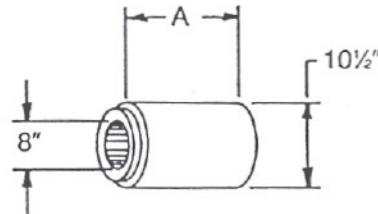
CAT. NO.	A	B
GD28	25 ³ / ₈ "	14 ³ / ₆₄ "
GD36	33 ³ / ₈ "	19 ⁴ / ₆₄ "
HE36	33 ² / ₆₄ "	20 ⁹ / ₁₆ "

GRATES



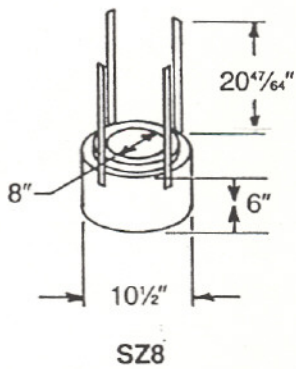
CAT. NO.	A	B
GR28	17 ¹ / ₁₆ "	11"
GR36	25 ¹ / ₁₆ "	11"

CHIMNEY SECTIONS

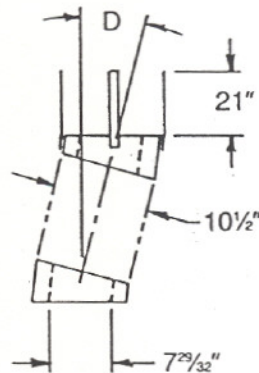


CAT. NO.	A
IC806	6"
IC812	12"
IC836	36"
IC848	48"

CHIMNEY STABILIZER

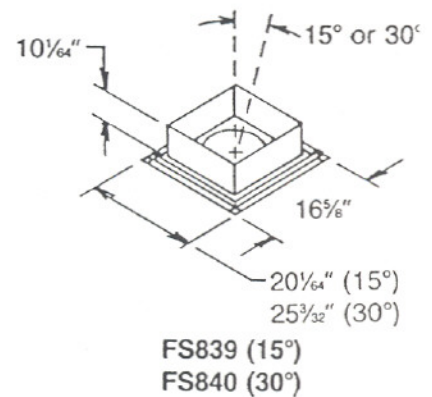
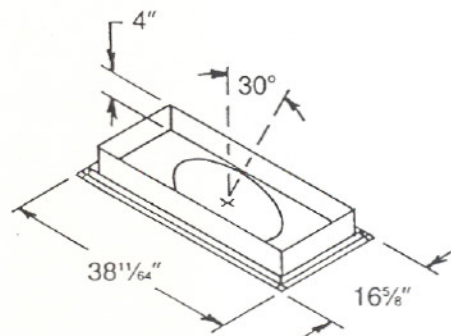
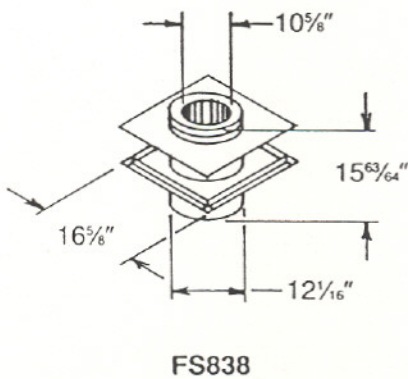


OFFSET/RETURN

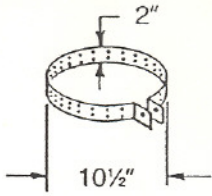


CAT. NO.	D
OR815	15°
OR830	30°

FIRESTOP SPACERS

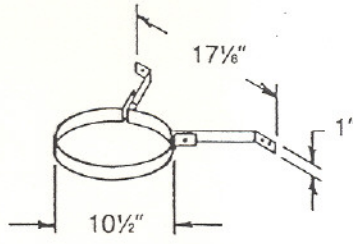


JOINT BANDS



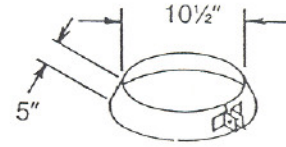
JB877

CHIMNEY BRACKETS



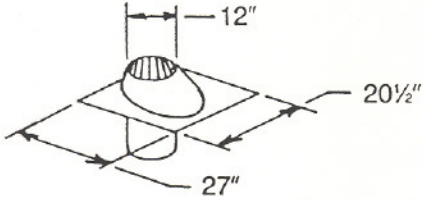
CB876

STORM COLLAR



SC873

ROOF FLASHINGS



Flat to 6/12 Pitch
RF870

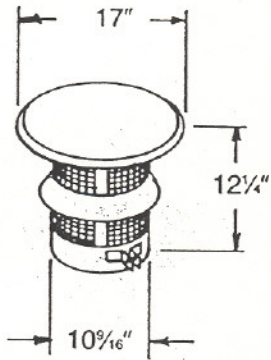


6/12 to 12/12 Pitch
RF871

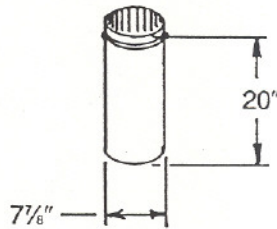


12/12 to 24/12 Pitch
RF872

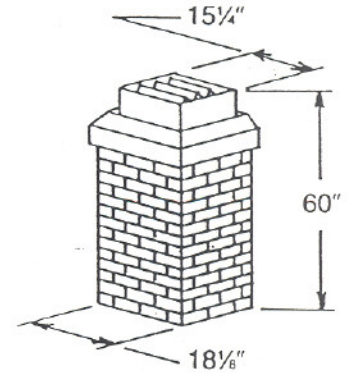
CHIMNEY TERMINAL CAP & TERMINATION



RT874

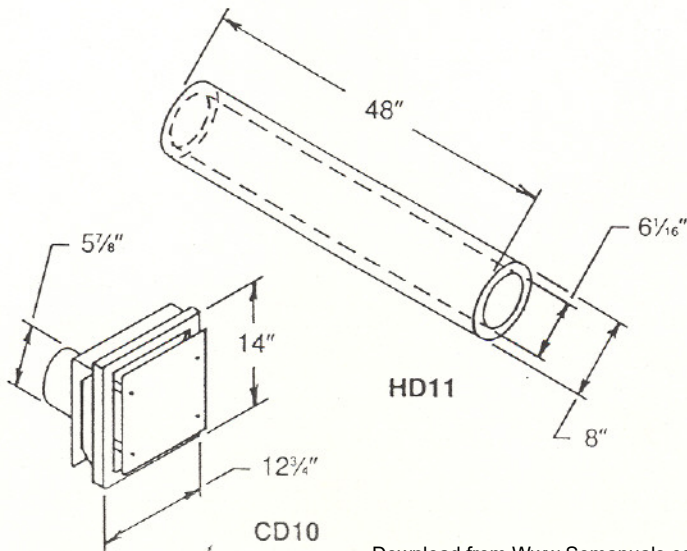


SL878



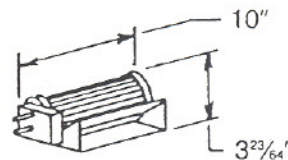
RB48 Red
TB48 Tan

HEAT CIRCULATING DUCT & OUTLET — EXTRA DUCT — AIR KIT

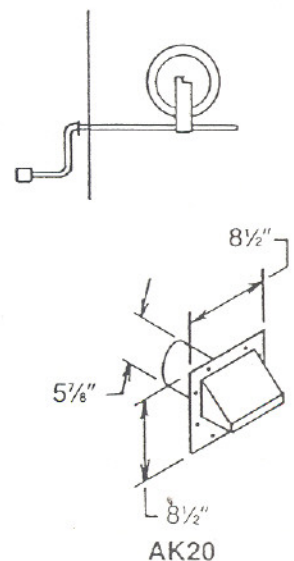


HD11

CD10



FK15



AK20

FIREPLACE LOCATION AND SPACE REQUIREMENTS

The fireplace may be located as shown in Figure 1.

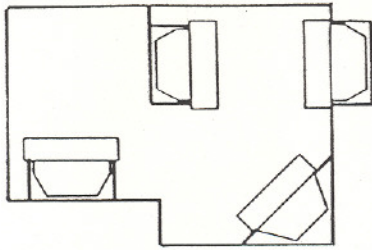


Figure 1

- a. Along a wall.
- b. In an exterior chase or projecting into a garage. (See Figure 2 for minimum space.)
- c. As a room divider.
- d. Across a corner. (See Figure 3 for minimum space.)

Figures 2 and 3 show installations assuming outside air ducts with allowance for making 90° bends. Less space is required when ducting goes directly outside without forming elbows.

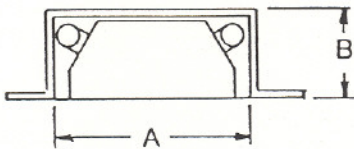


Figure 2

CAT. NO.	A	B
FP28	46 $\frac{1}{8}$ "	24 $\frac{1}{2}$ "
FP36	54 $\frac{1}{8}$ "	24 $\frac{1}{2}$ "

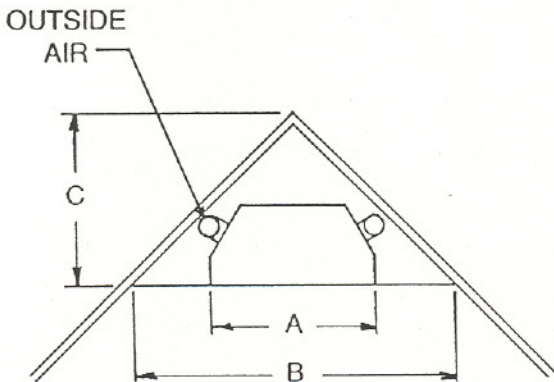


Figure 3

CAT NO.	A	B	C
FP28	38 $\frac{1}{16}$ "	81 $\frac{1}{8}$ "	40 $\frac{9}{16}$ "
FP36	46 $\frac{1}{16}$ "	89 $\frac{1}{8}$ "	44 $\frac{9}{16}$ "

ALL DIMENSIONS IN INCHES

WARNING

When locating the fireplace in a space projecting into a garage, the outside air must not be taken from the garage space. Exhaust products of gasoline engines are hazardous.

Do not install outside air ducts such that the air may be drawn from attic spaces, basements, or above the roofing where other heating appliances or fans and chimneys exhaust or utilize air to prevent flow reversal.

Figure 4 shows the construction for framing the fireplace assuming combustible materials are to be used. The vertical framing must extend from the floor to ceiling, with no horizontal members projecting from front to back, above the fireplace except at ceiling level. Chimney sections above the ceiling level require two inches to the enclosure for the total chimney height.

WARNING

The fireplace must be installed only against a finished (surfaced) wall, not against vapor barriers or exposed insulation.

NOTE: ONE INCH INSULATION MATERIAL IS SUPPLIED WITH FIREPLACE AND MUST BE POSITIONED BENEATH FIREPLACE TO PREVENT COLD AIR ENTRY.

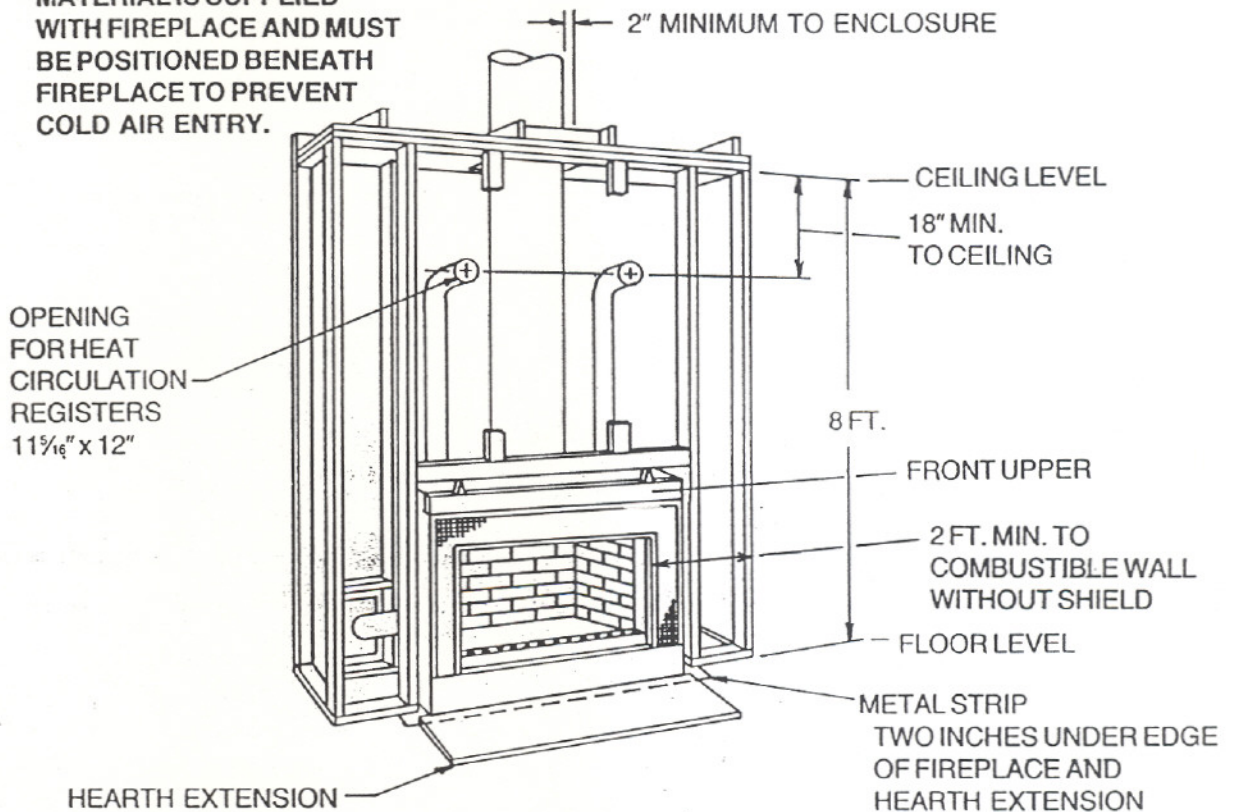


Figure 4

NOTE:

See Figure 5 for construction using combustible materials.

The **Front Upper** may be removed when non-combustible construction is used as facing on top and sides. See Figure 6.

Factory built hearth extensions must be 3½ inches minimum below fireplace hearth refractory.

Field constructed hearth extensions may be flush — but not above fireplace hearth refractory — if the construction conforms to the following:

1. One course common brick on edge — top layer.
2. ¾" minimum millboard — middle.
3. Standard combustible construction — base.
4. Hearth extensions must meet the minimum front and side dimensions for factory built hearth extensions. See "A" and "B" dimensions shown for Cat. No. HX28 and HX36.

COMBUSTIBLE CONSTRUCTION FACING

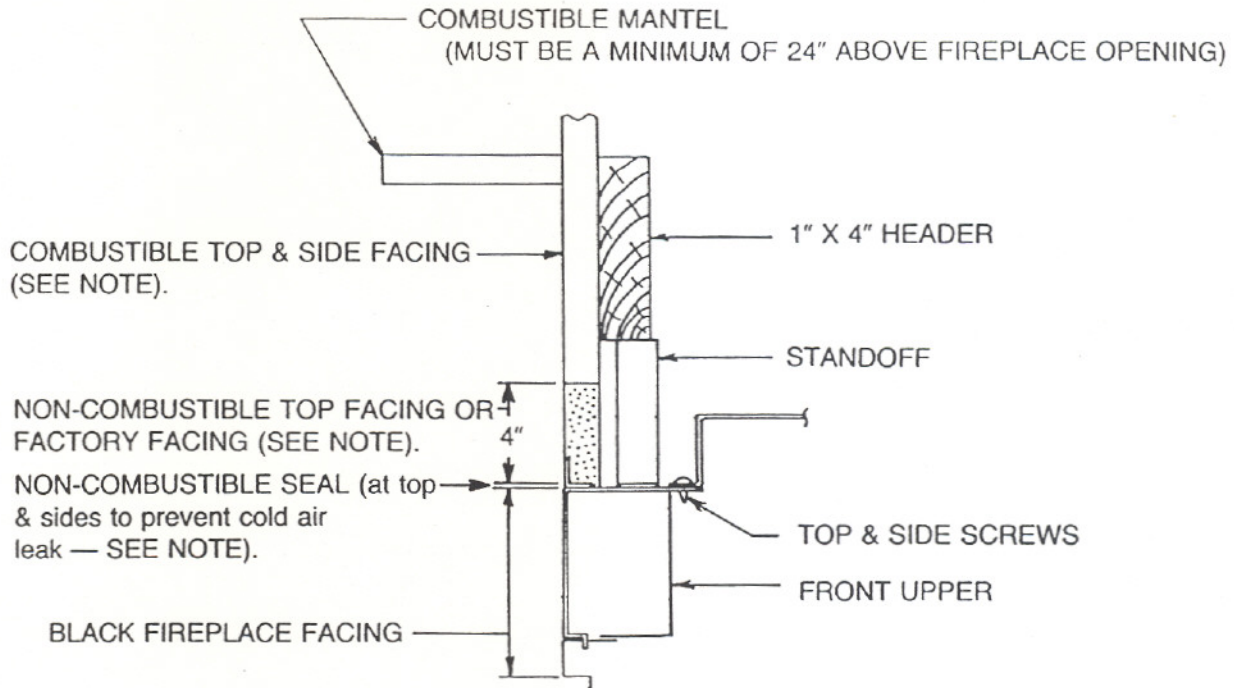


Figure 5

NOTE:

1. **Combustible Material.** Material made of or surfaced with wood, compressed paper, plant fibers, plastics, or other material that will ignite and burn, whether flameproofed or not, or whether plastered or unplastered.
2. **Non-combustible Material.** Material which will not ignite and burn, such materials consisting entirely of steel, iron, brick, tile, concrete, slate, asbestos, glass or plasters, or combination thereof.
3. **Non-combustible Seal Material.** General Electric RTV103 (Black), or equivalent. Rutland, Inc. Fireplace Mortar #63, or equivalent.
4. When optional hot air ducts are installed, combustible facing may be $\frac{1}{2}$ " above black fireplace facing.
5. A four inch (4") factory built black finished metal facing (NS28 for FP28 and NS36 for FP36) may be ordered separately and used in place of the non-combustible facing.

NON-COMBUSTIBLE FACING WITH FLUSH HEARTH

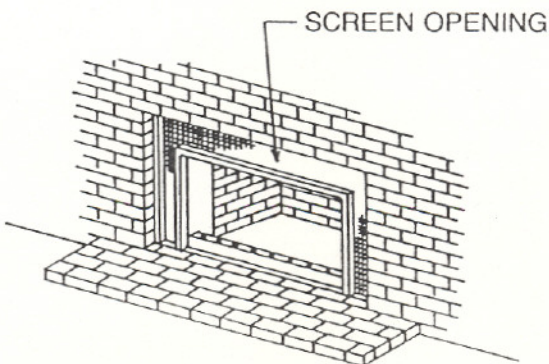


Figure 6

To detach Front Upper, loosen top screws behind Standoffs allowing assembly to be pulled free at the top. Unhook at the bottom and retighten screws.

WARNING

All materials used in construction of this facing, including support members, such as headers or lintels above the fireplace, must be non-combustible.

When planning your fireplace location, the chimney construction and necessary clearance must be considered. Figure 7 illustrates a typical one floor with attic space installation in which joists and rafters may require modification. The fireplace system and chimney components have been tested to provide the following flexibility in construction.

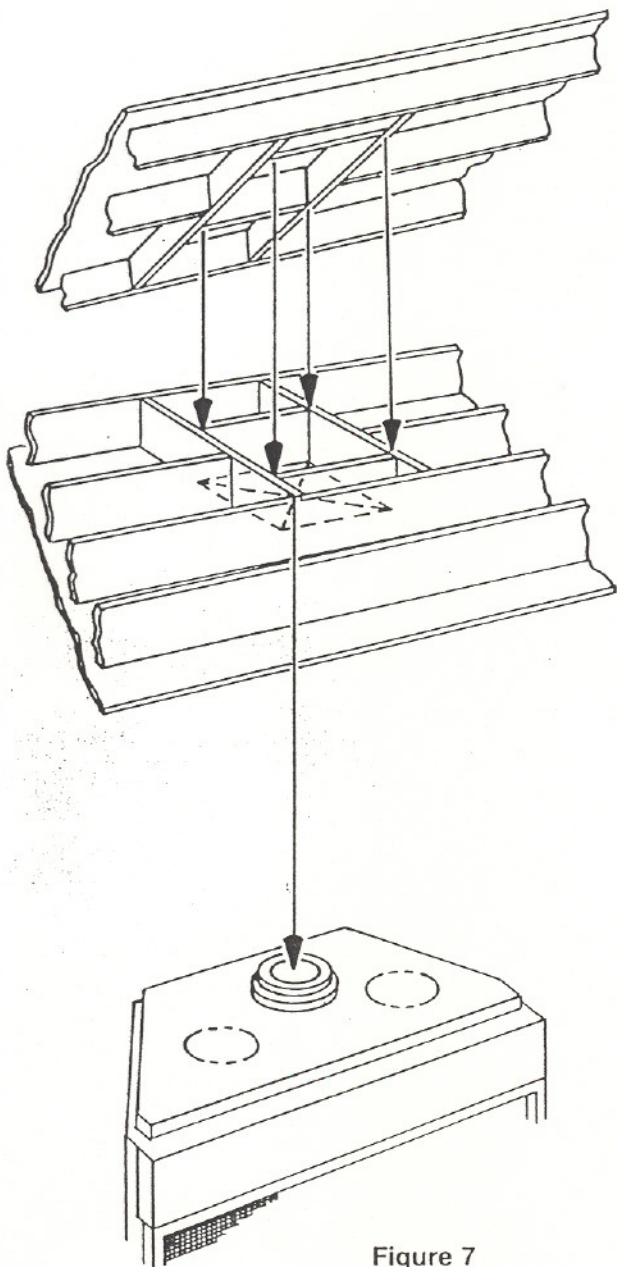


Figure 7

To prevent interference with natural chimney draft, Figures 9 and 10 define minimum space above the building roof line.

NOTE: All dimensions apply from surface on which fireplace rests.

Minimum straight height	14 ft.
Minimum height with Offset/Return	17 ft.
Maximum height U.S.	90 ft.
Maximum chimney length between an Offset/Return	8 ft.
Maximum distance between chimney stabilizers	25 ft.
Double offset minimum height	24 ft.
Maximum height Canada	60 ft.
Maximum unsupported chimney length between Offset/Return	6 ft.

Joint Bands must be used at every joint between Offset and Return.

If outside combustion air is required, Figure 8 illustrates only two of many possible locations, a basement fireplace (with a maximum of twelve feet of vertical height and a direct exit from the fireplace side.)

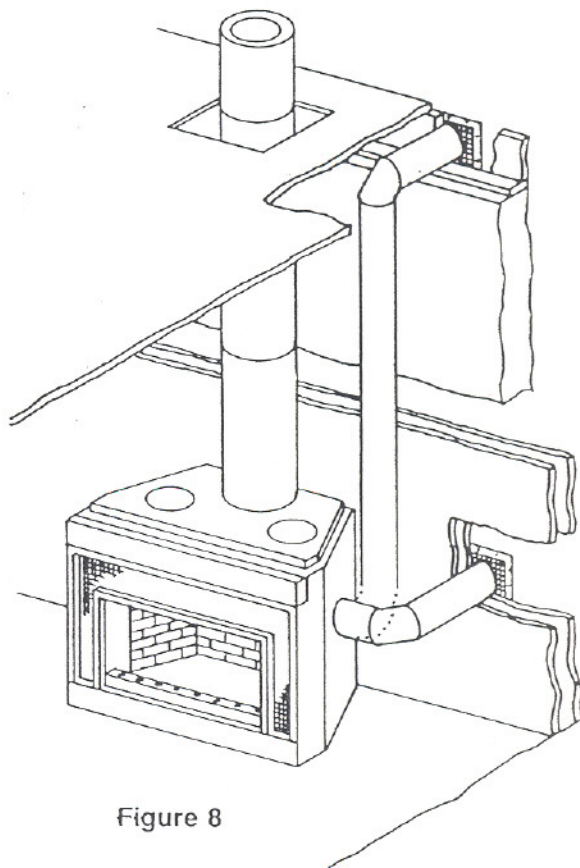


Figure 8

Major building codes specify minimum chimney height above the roof top. These specifications are summarized in what is known as the "Ten Foot Rule." This rule states:

1. If the horizontal distance from the center of the chimney to the peak of the roof is 10 feet or less, the top of the chimney must be at least 2 feet above the peak of the roof but never less than 3 feet in height above the highest point where it passes through the roof. See Figure 9.
2. If the horizontal distance from the center of the chimney to the peak of the roof is more than 10 feet, a chimney height reference point is established that is on the surface of the roof a distance of 10 feet from the center of the chimney in a horizontal plane. The top of the chimney must be at least 2 feet above this reference point, but never less than 3 feet in height above the highest point where it passes through the roof. See Figure 10.

These chimney heights are necessary in the interest of safety and do not assure smoke-free operation. Trees, buildings, adjoining roof lines, adverse wind conditions, etc., may require a taller chimney should smoking exist.

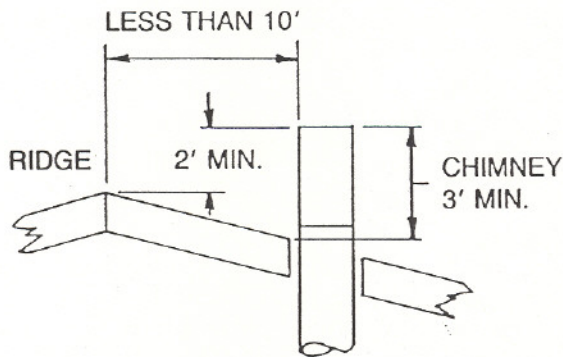


Figure 9

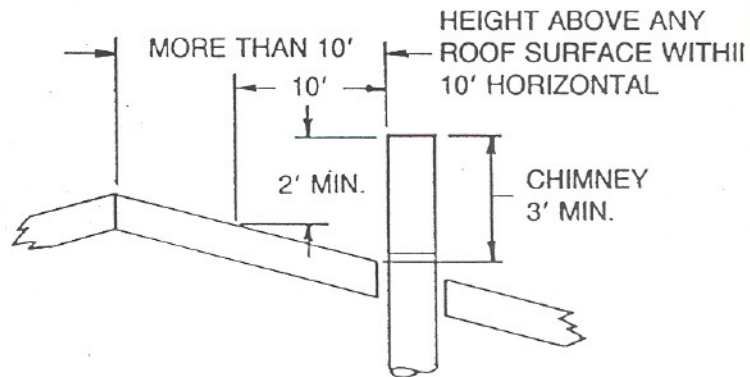
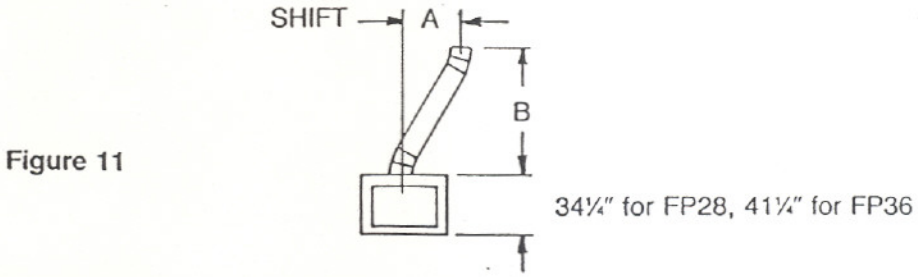


FIGURE 10

SELECTING THE CHIMNEY COMPONENTS

Figure 11 and Tables 1 and 2 enable selection of the appropriate chimney components when using offsets and returns.

1. Determine amount of offset required to extend chimney through wall or around obstacle. (See Figure 11, dimension "A".)



2. Refer to 15° and 30° offset charts below and find the "A" dimension closest to but not less than the amount of offset required in your installation.

WARNING

Do not combine Offsets to increase shift distance by using (2) 30° elbows together as an example.

3. Find "B" dimension on chart and determine if it is compatible for your installation. (e.g., with a 7'6" ceiling, the "B" dimension using a 15° offset would require cutting through the ceiling in order to exit a 6" wall. Going to a 30° offset would result in a smaller "B" dimension and cutting through the ceiling would be averted).
4. Read across chart and find the number of chimney sections required.
5. Refer to step-by-step installation directions following charts.
6. All spaces between chimneys and the habitable areas between floors and ceiling must be firestopped.

TABLE 1 — 15° Offset Chart for FP28 & FP36 — Dimensions in Inches

A	B	IC806	IC812	IC836	IC848	JB877
2 3/8"	11 1/8"	1				2
4"	17 3/4"		1			2
5 1/2"	23 1/2"	1	1			3
7 1/8"	29 1/4"		2			3
8 5/8"	35 5/8"	1	2			4
10 1/4"	40 7/8"			1		2
11 1/4"	46 3/4"	1		1		3
13 1/4"	52 1/2"				1	2
14 7/8"	58 1/4"	1			1	3
16 3/8"	64 1/8"		1		1	3
18"	69 5/8"	1	1		1	4
19 1/2"	75 5/8"		2		1	4
21"	81 1/2"	1	2		1	5
22 5/8"	87 1/4"			1	1	3
24 1/8"	93"	1		1	1	4
25 3/4"	98 7/8"				2	3

TABLE 2
30° Offset Chart for FP28 — FP36 — Dimensions in Inches

A	B	IC806	IC812	IC836	IC848	JB877
5¼"	13⅝"	1				2
8¼"	18¾"		1			2
11¼"	24"	1	1			3
14¼"	29⅝"		2			3
17¼"	34⅝"	1	2			4
20¼"	39½"			1		2
23¼"	44¾"	1		1		3
26¼"	50"				1	2
29¼"	55⅝"	1			1	3
32¼"	60⅝"		1		1	3
35¼"	65½"	1	1		1	4
38¼"	70¾"		2		1	4
41¼"	75⅝"	1	2		1	5
44¼"	81⅝"			1	1	3
47¼"	86⅝"	1		1	1	4
50¼"	91½"				2	3

NOTE: Later addition of Fans, Outside Air, or Heat Circulation will require significant reconstruction. To minimize this, electrical power supply leads for the fans may be installed through the side knockouts leaving both ends of the two (three if grounding wire is needed) supply wires unconnected but separately insulated. 115 Volts 60Hz .8 Amps is required for each fan.

STEP-BY-STEP INSTALLATION

WARNING

Before starting, do the following:

1. Wear gloves and safety glasses for self protection.
2. Keep hand tools in good condition. Sharpen cutting edges and make sure tool handles are secure.
3. Always maintain the minimum clearance to the enclosure to prevent fire hazards.

1. Position fireplace and nail wood blocks along sides to prevent fireplace from shifting (blocks will later be removed). Insulation pad must be in place under the fireplace.

2. Slide metal strip two inch under front edge of fireplace. See Figure 4.
3. Level fireplace side-to-side and front-to-back. Shim as necessary.
4. Thread and lock first section of pipe to top of fireplace. Securely locking pipe sections prevents heat leaks between sections.
5. If offset is to be used directly off top of fireplace, it must be locked in desired position with four size 10 sheet metal screws provided. Drill four .125 diameter holes in fireplace collar using pre-drilled offset holes as a template. See Figure 12.
6. Determine point where chimney will penetrate ceiling by plumbing down to center of chimney section. See Figure 7.

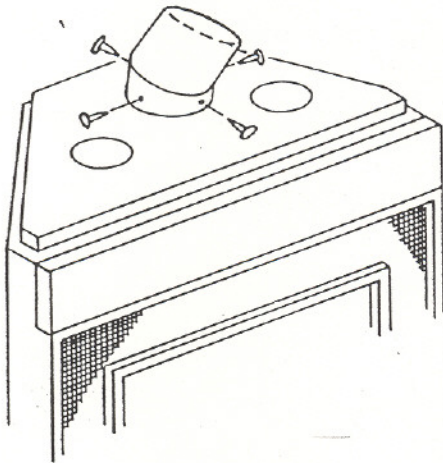


Figure 12

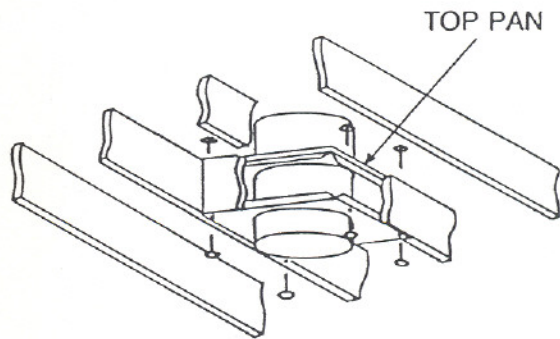


Figure 13

7. Mark and cut a $14\frac{1}{2}$ " square opening in ceiling. Frame the opening with lumber of the same dimension used in the existing ceiling. The framed opening must measure $14\frac{1}{2}$ " x $14\frac{1}{2}$ ".
8. Install firestop spacer in opening. See Figure 13. This firestop is always installed from the bottom by nailing into the joists. Where an attic space exists, the top pan must be installed on the top surface of the joists to prevent combustibles from falling into the joist's framed opening.
9. Continue insulated chimney sections up through firestop spacer. Repeat as needed for multiple story applications.
10. When offset/returns are to be joined to straight pipe sections, they must be locked in position with the four size 10 sheet metal screws provided using the pre-drilled holes in the bottom section of the return as a template.

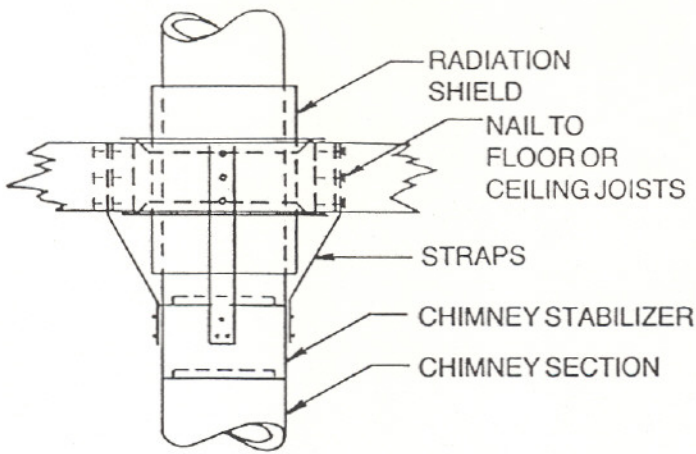


Figure 14

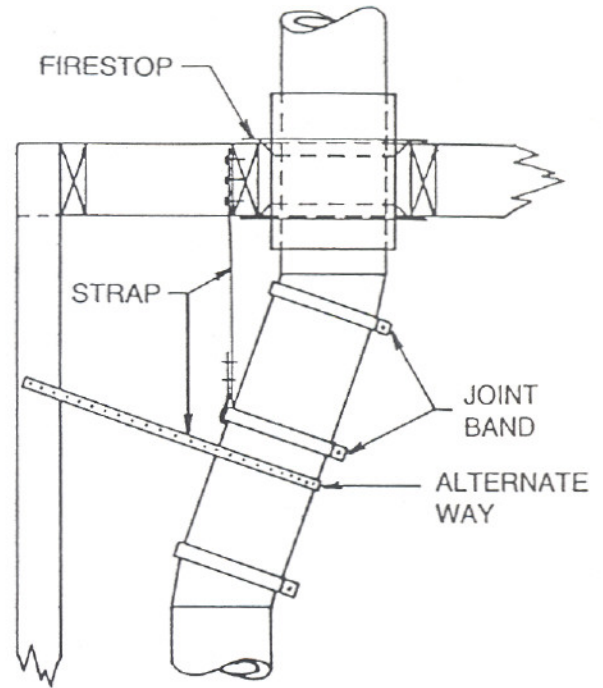


Figure 15

- Offset/Returns and Chimney Stabilizers have straps for securing them to joists or rafters. Chimney Strapping SZ810 is available or may be locally purchased and used in conjunction with Joint Bands to secure the chimney. Offsets/Returns are also used in wall or chase construction. Chimney Brackets may be used to stabilize the chimney. See Figures 14, 15 and 16.

WARNING

Chimney sections exceeding 6 feet (two 3 foot sections) when used with an Offset/Return, must have structural support. See Figure 15.

- Locate the point where the chimney will exit the roof by plumbing down to the center of the chimney. Drive a nail through the roof to mark the center.

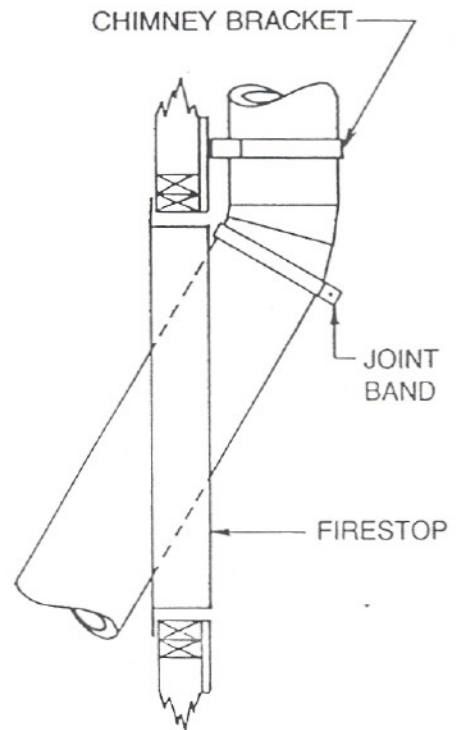


Figure 16

13. Measure to either side of nail and mark. The opening required, 14½" x 14½", is measured on the horizontal. The actual length will vary depending upon the pitch of the roof. Cut out and frame the opening.
14. Continue insulated chimney sections through roof opening, maintaining at least 2" clearance to combustibles.
15. Install roof termination as per the installation directions packaged with the termination components.
16. Frame the fireplace allowing room along the sides for the outside air ducts and gas piping if desired.
17. A gas log lighter may be installed by prying out the 1½" diameter knockout on either side of the fireplace, and removing the plug of insulation. The side refractory liner must be drilled with a masonry drill bit in the spot provided to allow a ½" iron pipe to pass through. Use a non-combustible sealant to seal any opening between the gas pipe and refractory on the inside. Repack the insulation removed to seal around the gas pipe where it exits the side of the fireplace.
18. Install Outside Air if desired or required by local code, using directions supplied with the kit.
19. Install Heat Circulation and Outlet, Fan Kit, and/or Glass Doors if desired, using directions packed with these optional accessories. Protect glass doors from breakage by temporarily removing them until all construction is complete.
20. Position hearth extension over metal protective strips which should project about one inch in front of the fireplace bottom front. See Figure 4. Seal crack between hearth extension and fireplace with a non-combustible sealant.
21. Apply finish materials of your choice. See Heatilator full-line catalog for ideas. **Do not install combustible materials down over black face of fireplace or screened openings.**
22. Install glass doors as per the directions packed with doors.
23. Set grate in fireplace. Your installation is now complete. Read the "Operating Instructions" booklet before starting your first fire.

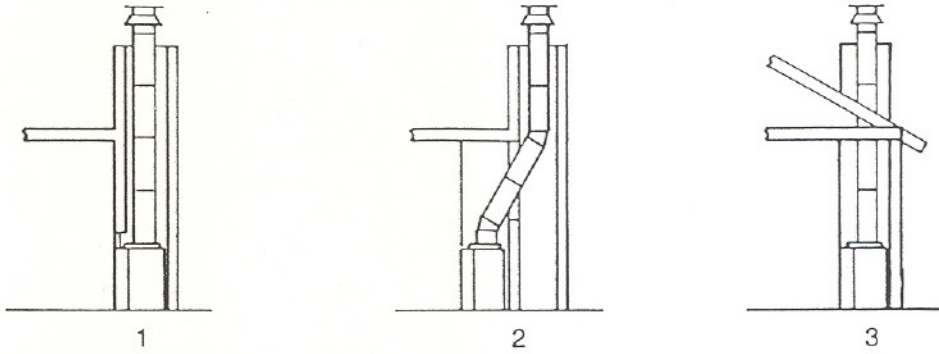
WARNING

Do not pack spaces between the fire chamber/chimney with insulation materials.

The required clearances are to the enclosure and should not be reduced by the addition of other materials whether of non-combustible or combustible material.

CONSTRUCTING A CHASE

A chase may be constructed for the fireplace and chimney or for the chimney only. A chase is simply an enclosure built around the system. It is most commonly constructed on an outside wall as per figures below.



Three examples of chase applications are shown here:

1. Fireplace and chimney enclosed in chase — exterior.
2. Chimney offset through exterior wall and enclosed in chase.
3. Chase constructed on roof.

MATERIALS FOR CHASE

The chase is constructed much the same as the walls in your home. A variety of materials may be used including brick, stone, veneer brick, or standard siding materials.

In constructing the chase, several factors must be considered.

1. **Maintain 2" clearance from the chimney to combustibles.**
2. **Chase top must be constructed of a non-combustible material.**
3. **Walls of chase must be insulated to prevent cold air from entering home around and through fireplace.**

TO INSTALL TERMINAL CAP ON CHASE — ENCLOSED CHIMNEY

1. Construct chase of desired materials maintaining 2" clearance to combustible materials.

WARNING

NEVER INSTALL A SINGLE WALL SLIP SECTION OR SMOKEPIPE IN A CHASE STRUCTURE.

2. Install insulated chimney sections up through the chase. **Last section of pipe must extend at least 6" above the chase top to allow installation of storm collar and terminal cap.**
3. Attach chase top to chase. A factory built top, Catalog Number CT36, is available. See Figure 15.
4. Loosen bolt on storm collar and slide down over pipe to chase top. Tighten bolt and seal around collar.
5. Attach and secure terminal cap.

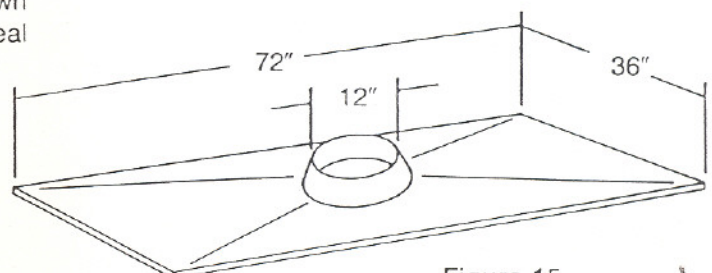


Figure 15

HEATILATOR® ADVANTAGE FIREPLACE LIMITED WARRANTY

DESIGNATION OF WARRANTOR. This Limited Warranty is extended by Heatilator Inc., Division, Hon Industries, P.O. Box 10360, 4725 Merle Hay Road, Des Moines, Iowa 50306, (hereinafter referred to as HEATILATOR®), with respect to the Heatilator Advantage Fireplace system as described herein, while in its location of original installation.

PRODUCT. This Heatilator Advantage Fireplace system (hereinafter sometimes referred to as the "System") is comprised of the fireplace proper (the firebox including refractory), chimney system, roof termination and grate, and also includes optional components of glass panel doors, heat circulation ducts, fans, and an outside combustion air system. Except where specifically excluded from coverage hereunder, this Limited Warranty covers all of the components and optional components designated. See EXCLUSIONS AND QUALIFICATIONS, below, for further information on product coverage.

WARRANTY. The Heatilator Advantage Fireplace system is warranted to be free from defects in materials and workmanship at the time of manufacture. The System, when comprised of defect-free components and optional components, if any, as described in the above paragraph, is further warranted to provide smoke-free operation for a period of twenty (20) years from the date of installation.

This Limited Warranty extends only to those Heatilator Advantage Fireplace systems installed in the United States of America or the Dominion of Canada.

WHAT HEATILATOR® WILL DO IN THE EVENT OF A DEFECT. If this Heatilator Advantage Fireplace system is found to be defective in material or workmanship (see HEATILATOR's® right of investigation outlined below), HEATILATOR® will repair or replace such defects in the Heatilator Advantage Fireplace system, at HEATILATOR's® option, according to the following schedule:

- (1) During the first year of the Limited Warranty, HEATILATOR® will provide replacement or repair parts for all components and optional components of the System at no charge, EXCEPT the grate, and also will pay for reasonable labor costs for repair work.
- (2) During the second through fifth years of the Limited Warranty, HEATILATOR® will provide replacement or repair parts at no charge, for the components and optional components of the System EXCEPT the grate, wire-mesh screen and the glass in the glass doors, and also will pay for reasonable labor costs for repair work.
- (3) During the sixth through tenth years of the Limited Warranty, HEATILATOR® will provide replacement or repair parts at no charge for the components and optional components of the System, EXCEPT the grate, refractory, fans, wire-mesh screen and the glass in the glass doors, but HEATILATOR® will assume no responsibility for any labor costs.
- (4) During the eleventh through twentieth years of the Limited Warranty, HEATILATOR® will provide replacement or repair parts (if available) for the components and optional components of the System, EXCEPT the grate, refractory, fans, wire-mesh screen and the glass in the glass doors, at 50% of its then current published retail price. All freight charges will be the responsibility of the customer.

EXCLUSIONS AND QUALIFICATIONS.

This Limited Warranty is subject to the following exclusions and qualifications:

- (1) This Limited Warranty does not apply to, and HEATILATOR® assumes no responsibility for, any damages that result due to installation or operation not in accordance with both the **Installation Instructions** and the **Operating Instructions** furnished, chimney fires due to a lack of adequate cleaning (refer to **Operating Instructions**), or roof stains caused by creosote.
- (2) The Heatilator Advantage Fireplace system must be subjected to normal use as explained in the **Operating Instructions** and the Underwriters Laboratory label located in the firebox, including burning only natural wood. Fuel products with abnormal burning characteristics, including synthetic fuels (e.g. synthetic logs, wood treated with flammable liquid, logs made from pressed wood), burn at excessive temperatures which may cause the System to function improperly. Flammable liquid fuels are explosive and never should be used to start the fire. HEATILATOR® does not warrant the structural or functional performance of the System when such fuels as mentioned or described herein have been used.
- (3) Fires in the fireplace (the firebox) must be built on a grate. This grate must be equivalent to HEATILATOR® part GR28 (for use in the FP 28 Fireplace) and GR36 (for use in the FP36 Fireplace) as designated in the **Operating Instructions**.

(4) This Limited Warranty applies only if adequate ventilation is provided to allow proper draft to the fireplace. HEATILATOR® assumes no responsibility for improper performance of the System caused by inadequate draft due to environmental conditions (e.g. wind currents), tight-sealing construction, or mechanical devices (e.g. air conditioning, exhaust fans), any or all of which may cause a negative air pressure within the structure where the fireplace is installed.

(5) This Limited Warranty applies only to the components and optional components of the System manufactured or specifically approved by HEATILATOR®; and HEATILATOR® expressly excludes any liability hereunder for defects or damage caused by the installation or use of any such unauthorized or unapproved component or optional component. HEATILATOR® further assumes no liability for defects or damage caused by the use or installation of any fireplace insert, auxiliary heat device, or other modification not expressly authorized and approved by HEATILATOR®. Unauthorized components, optional components, or modifications could create a fire hazard by altering the safety design of the fireplace.

(6) Labor costs to be borne by HEATILATOR® pursuant to this Limited Warranty must be approved by HEATILATOR® and must not exceed the retail price of replacement parts.

(7) This Limited Warranty shall be void if the System is at any time or has been removed from the place in which it was originally installed.

LIMITATION OF LIABILITY.

IT IS EXPRESSLY AGREED AND UNDERSTOOD THAT HEATILATOR'S® OBLIGATION AND PURCHASER'S EXCLUSIVE REMEDY UNDER THIS WARRANTY, UNDER ANY OTHER WARRANTY, EXPRESS OR IMPLIED (INCLUDING MERCHANTABILITY), OR OTHERWISE, SHALL BE LIMITED TO REPLACEMENT OR REPAIR OF ONLY HEATILATOR® BRAND COMPONENTS AND OPTIONAL COMPONENTS AS ABOVE SPECIFIED.

THE DURATION OF ANY IMPLIED WARRANTY APPLICABLE TO THIS HEATILATOR ADVANTAGE FIREPLACE SYSTEM IS LIMITED TO THE DURATION OF THE FOREGOING WARRANTY. SOME STATES DO NOT ALLOW LIMITATIONS ON HOW LONG AN IMPLIED WARRANTY LASTS, SO THE ABOVE LIMITATION MAY NOT APPLY TO YOU.

IN NO EVENT SHALL HEATILATOR® BE RESPONSIBLE FOR ANY INCIDENTAL OR CONSEQUENTIAL DAMAGES CAUSED BY DEFECTS IN THE HEATILATOR ADVANTAGE FIREPLACE SYSTEM, WHETHER SUCH DAMAGE OCCURS OR IS DISCOVERED BEFORE OR AFTER REPLACEMENT OR REPAIR, AND WHETHER OR NOT SUCH DAMAGE IS CAUSED BY HEATILATOR'S® NEGLIGENCE.

SOME STATES DO NOT ALLOW THE EXCLUSION OR LIMITATION OF INCIDENTAL OR CONSEQUENTIAL DAMAGES, SO THE ABOVE LIMITATION OR EXCLUSION MAY NOT APPLY TO YOU.

BUILDING CODES. Since building code requirements vary greatly throughout the United States and Canada, users of this System should determine in advance whether there are any building code restrictions on the installation or use of this System. HEATILATOR® makes no representation or warranty regarding building code compliance and shall not be responsible for compliance therewith.

HEATILATOR® NOT RESPONSIBLE FOR WORK DONE WITHOUT WRITTEN CONSENT. HEATILATOR® shall in no event be responsible for any Warranty work done without first obtaining HEATILATOR's® written consent.

DEALERS HAVE NO AUTHORITY TO ALTER THIS WARRANTY. HEATILATOR's® employees and dealers have no authority to make any warranty nor to authorize any remedies in addition to or inconsistent with those stated above.

IMPLIED WARRANTY RIGHTS. This Warranty gives you specific legal rights, and you may have other rights which vary from state to state. In the event of a problem with Warranty service or performance, you may be able to go to a small claims court, a State court, or a Federal district court.

HOW TO REGISTER A CLAIM AGAINST WARRANTY. Please complete and mail the registration card (other end of this perforated card) within 30 days of installation of your Heatilator Advantage Fireplace system. This is not, however, a condition precedent to warranty coverage and performance. In order for any claim under this Limited Warranty to be valid, HEATILATOR® must be notified of the claimed defect in writing to HEATILATOR®, Customer Service Department, P.O. Box 10360, 4725 Merle Hay Road, Des Moines, Iowa 50306. HEATILATOR® reserves the right to investigate any and all claims against this Warranty.

heatilator
AMERICA'S FIREPLACE SPECIALISTS

The Advantage™ Fireplace

Free Manuals Download Website

<http://myh66.com>

<http://usermanuals.us>

<http://www.somanuals.com>

<http://www.4manuals.cc>

<http://www.manual-lib.com>

<http://www.404manual.com>

<http://www.luxmanual.com>

<http://aubethermostatmanual.com>

Golf course search by state

<http://golfingnear.com>

Email search by domain

<http://emailbydomain.com>

Auto manuals search

<http://auto.somanuals.com>

TV manuals search

<http://tv.somanuals.com>