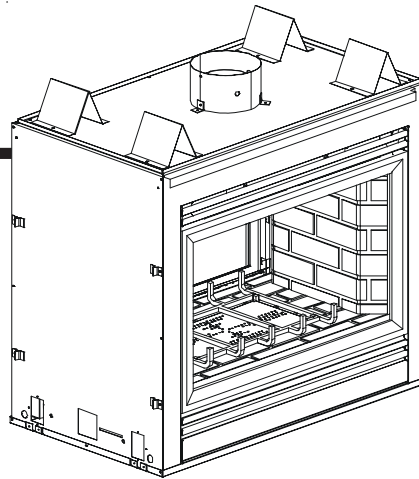


Model:
ST-42TVFL-IPI



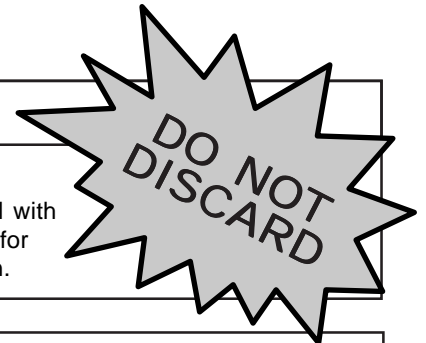
GAS-FIRED
UL
LISTED

CAUTION



DO NOT DISCARD THIS MANUAL

- Important operating and maintenance instructions included.
- Read, understand and follow these instructions for safe installation and operation.
- Leave this manual with party responsible for use and operation.



⚠ WARNING: If the information in these instructions is not followed exactly, a fire or explosion may result causing property damage, personal injury, or death.

- Do not store or use gasoline or other flammable vapors and liquids in the vicinity of this or any other appliance.
- **What to do if you smell gas**
 - Do not try to light any appliance
 - Do not touch any electrical switch. Do not use any phone in your building.
 - Immediately call your gas supplier from a neighbor's phone. Follow the gas supplier's instructions.
 - If you cannot reach your gas supplier, call the fire department.
- Installation and service must be performed by a qualified installer, service agency, or the gas supplier.

This appliance may be installed as an OEM installation in manufactured home (USA only) or mobile home and must be installed in accordance with the manufacturer's instructions and the manufactured home construction and safety standard, *Title 24 CFR, Part 3280* or *Standard for Installation in Mobile Homes, CAN/CSA Z240MH*.

This appliance is only for use with the type(s) of gas indicated on the rating plate.

⚠ WARNING



HOT SURFACES!

Glass and other surfaces are hot during operation AND cool down.

Hot glass will cause burns.

- **DO NOT** touch glass until it is cooled
- NEVER allow children to touch glass
- Keep children away
- CAREFULLY SUPERVISE children in same room as fireplace.
- Alert children and adults to hazards of high temperatures.

High temperatures may ignite clothing or other flammable materials.

- Keep clothing, furniture, draperies and other flammable materials away.

This appliance has been supplied with an integral barrier to prevent direct contact with the fixed glass panel. DO NOT operate the appliance with the barrier removed.

Contact your dealer or Hearth & Home Technologies if the barrier is not present or help is needed to properly install one.

In the Commonwealth of Massachusetts installation must be performed by a licensed plumber or gas fitter.

See Table of Contents for location of additional Commonwealth of Massachusetts requirements.



Installation and service of this appliance should be performed by qualified personnel. Hearth & Home Technologies suggests NFI certified or factory-trained professionals, or technicians supervised by an NFI certified professional.

SAFETY AND WARNING INFORMATION



READ and **UNDERSTAND** all instructions carefully before starting the installation. **FAILURE TO FOLLOW** these installation instructions may result in a possible fire hazard and will void the warranty.



Prior to the first firing of the fireplace, **READ** the Using Your Fireplace section of the *Owners Guide*.



DO NOT USE this appliance if any part has been under water. Immediately **CALL** a qualified service technician to inspect the unit and to replace any part of the control system and any gas control which has been underwater.



THIS UNIT IS NOT FOR USE WITH SOLID FUEL.



Installation and repair should be **PERFORMED** by a qualified service person. The appliance and venting system should be **INSPECTED** before initial use and at least annually by a professional service person. More frequent cleaning may be required due to excessive lint from carpeting, bedding material, etc. It is **IMPERATIVE** that the unit's control compartment, burners, and circulating air passageways **BE KEPT CLEAN** to provide for adequate combustion and ventilation air.



Always **KEEP** the appliance clear and free from combustible materials, gasoline, and other flammable vapors and liquids.



NEVER OBSTRUCT the flow of combustion and ventilation air. Keep the front of the appliance **CLEAR** of all obstacles and materials for servicing and proper operations.



Due to the high temperature, the appliance should be **LOCATED** out of traffic areas and away from furniture and draperies. Clothing or flammable material **SHOULD NOT BE PLACED** on or near the appliance.



Children and adults should be **ALERTED** to the hazards of high surface temperature and should **STAY AWAY** to avoid burns or clothing ignition. Young children should be **CAREFULLY SUPERVISED** when they are in the same room as the appliance.



These units **MUST** use one of the vent systems described in the Installing the Fireplace section of the *Installers Guide*. **NO OTHER** vent systems or components **MAY BE USED**.



This gas fireplace and vent assembly **MUST** be vented directly to the outside and **MUST NEVER** be attached to a chimney serving a separate solid fuel burning appliance. Each gas appliance **MUST USE** a separate vent system. Common vent systems are **PROHIBITED**.



INSPECT the external vent cap on a regular basis to make sure that no debris is interfering with the air flow.



The glass door assembly **MUST** be in place and sealed, and the trim door assembly **MUST** be in place on the fireplace before the unit can be placed into safe operation.



DO NOT OPERATE this appliance with the glass door removed, cracked, or broken. Replacement of the glass door should be performed by a licensed or qualified service person. **DO NOT** strike or slam the glass door.



The glass door assembly **SHALL ONLY** be replaced as a complete unit, as supplied by the gas fireplace manufacturer. **NO SUBSTITUTE** material may be used.



DO NOT USE abrasive cleaners on the glass door assembly. **DO NOT ATTEMPT** to clean the glass door when it is hot.



Turn off the gas before servicing this appliance. It is recommended that a qualified service technician perform an appliance check-up at the beginning of each heating season.



Any safety screen or guard removed for servicing must be replaced before operating this appliance.



DO NOT place furniture or any other combustible household objects within 36 inches of the fireplace front.

Safety and Warning Information	2
→ Service Parts List	4
Section 1: Approvals and Codes	6
Appliance Certification	6
Installation Codes	6
High Altitude Installations	6
Section 2: Getting Started	7
Introducing the Heat & Glo Gas Fireplaces	7
Pre-installation Preparation	7
Section 3: Installing the Fireplace	9
Step 1 Locating the Fireplace	9
Step 2 Framing the Fireplace	10
Step 3 Negative Pressure Make-up Air	11
Step 4 Installing the Vent System	13
A. Vent System Approvals	13
B. System Components	13
C. Bedroom Installation in Canada	15
D. Vent Termination	15
Step 5 Positioning, Leveling, and Securing the Fireplace	16
Step 6 The Gas Control Systems	16
Step 7 The Gas Supply Line	17
Step 8 Gas Pressure Requirements	18
Step 9 Wiring the Fireplace	19
Step 10 Finishing	22
Step 11 Installing Trim, Logs & Ember Material ..	23
Installing the Trim	23
Positioning the Logs	23
Glass Specifications	24
Placing the Ember Material	24
Step 12 Before Lighting the Fireplace	25
Step 13 Lighting the Fireplace	25
After the Installation	25
Section 4: Maintaining and Servicing Your Fireplace	26
→ Contact Information	27

Table of Contents

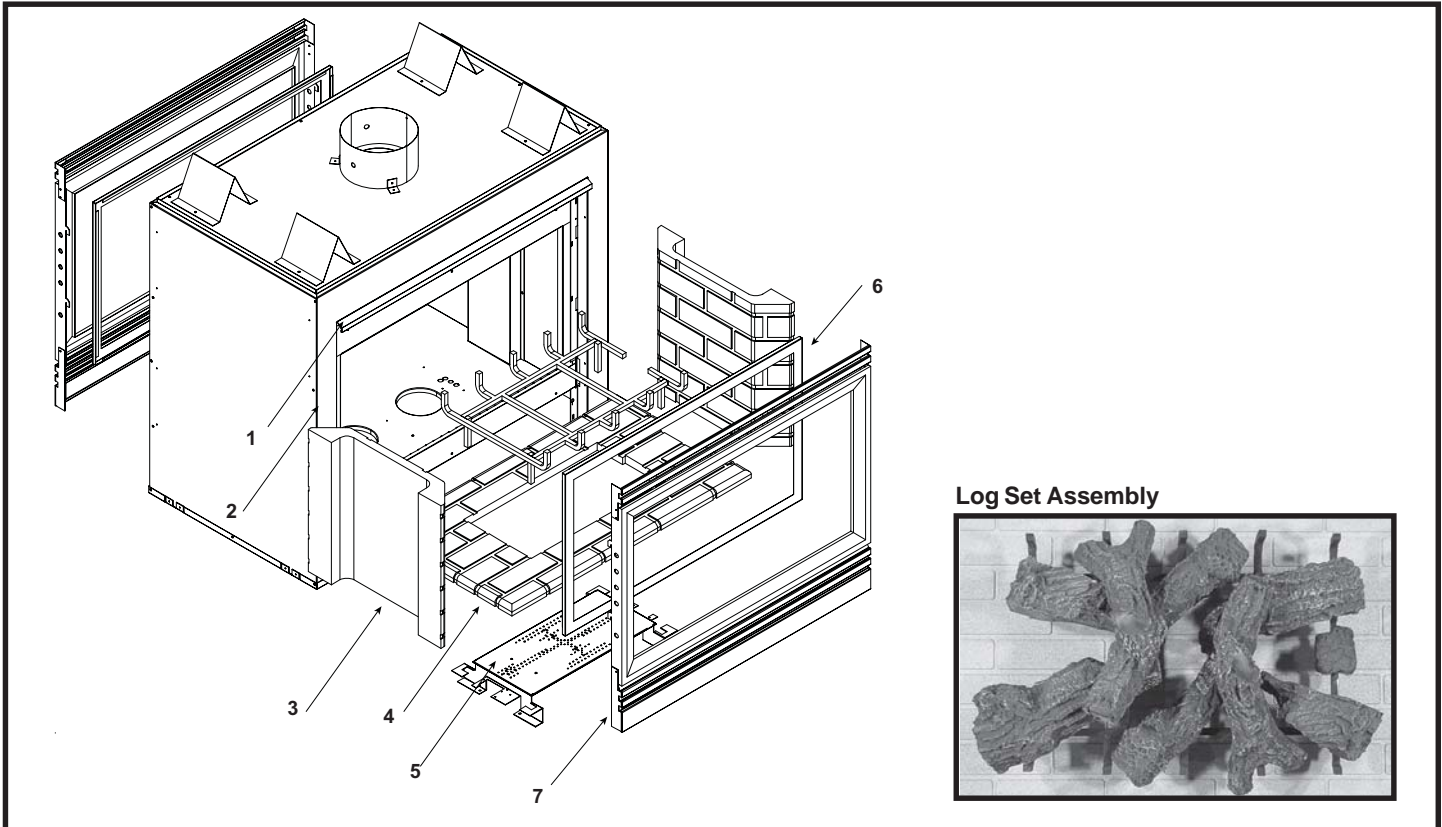
→ = Contains updated information.

No one builds a better fire

Service Parts Diagram

Beginning Manufacturing Date: July 2002

Ending Manufacturing Date: _____



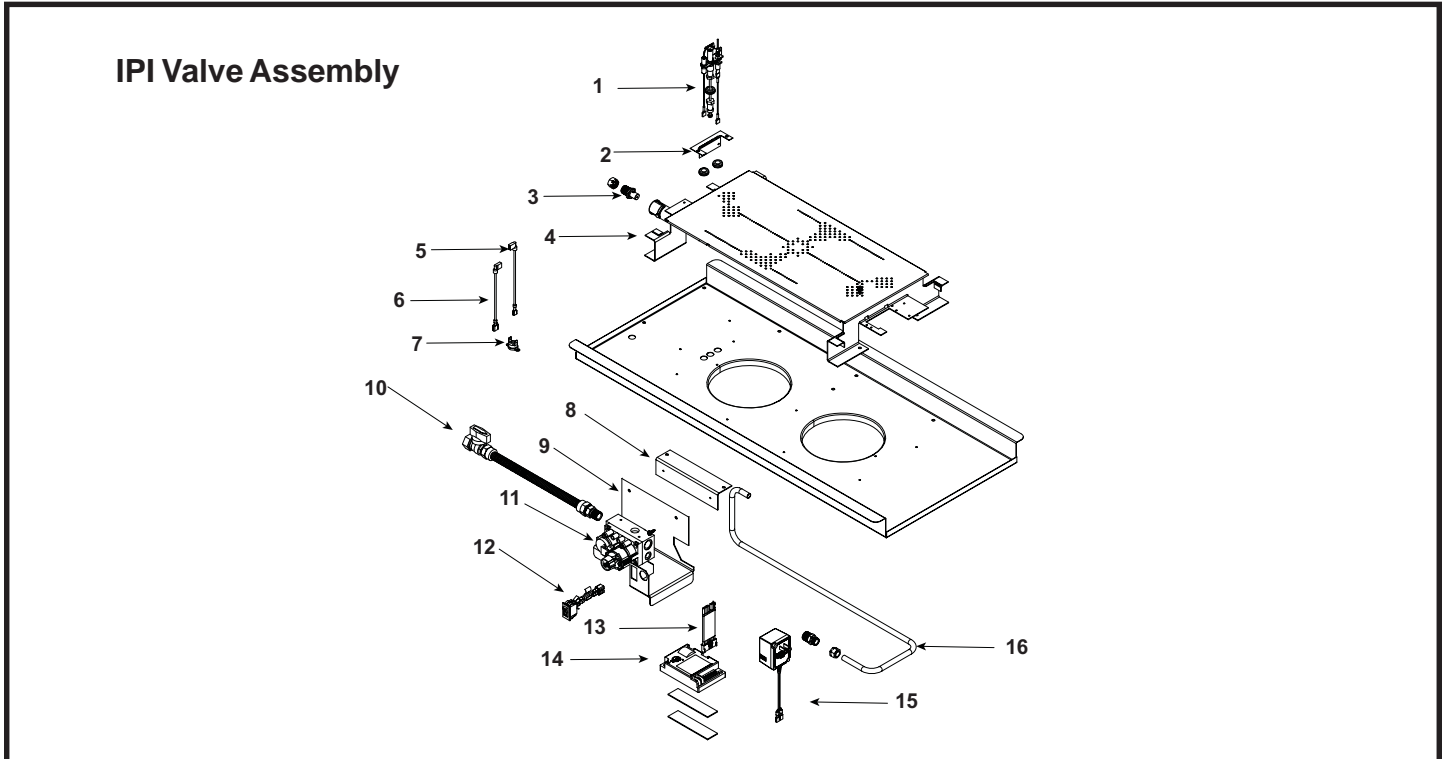
IMPORTANT: THIS IS DATED INFORMATION. When requesting service or replacement parts for your appliance please provide model number and serial number. All parts listed in this manual may be ordered from an authorized dealer.



Stocked at Depot

ITEM	DESCRIPTION	SERIAL #	PART NUMBER	Stocked at Depot
	Log Set Assembly (sold as complete log set only)		LOGS-MS	Y
1	Hood		455-322	N
2	Surround Side		502-202	N
3	Refractory, Rear (Metal)		464-280	N
4	Base Refractory (Metal)		464-292	N
5	Burner NG		501-272A	Y
	Burner LP		501-273A	Y
6	Glass Door Assembly		GLA-PIER	Y
7	Decorative Front		DF-36H	N
	Junction Box		383-250A	Y
	Mesh Assembly		MESH-36	Y
	Mineral Wool		050-721	N
	Wire, Wall Switch		062-550	Y
	Conversion Kit NG		N/A	N
	Conversion Kit LP		LPK-42TVFL-IPI	Y
	Pilot Orifice NG		446-505	Y
	Pilot Orifice LP		446-517	Y
	Regulator NG		NGK-DXV	Y
	Regulator LP		LPK-DXV	Y

Additional service part numbers on following page.



IMPORTANT: THIS IS DATED INFORMATION. When requesting service or replacement parts for your appliance please provide model number and serial number. All parts listed in this manual may be ordered from an authorized dealer.



Stocked at Depot

ITEM	DESCRIPTION	SERIAL #	PART NUMBER	
1	Pilot Assembly NG		385-510A	Y
	Pilot Assembly LP		385-511A	Y
2	Pilot Bracket		385-120	N
3	Orifice NG (#31B)		455-800	Y
	Orifice LP (#48B)		042-800	Y
4	Burner Assembly NG		501-272A	Y
	Burner Assembly LP		501-273A	Y
5	80" Wire Assembly		522-501A	Y
6	80" Wire Assembly		523-501A	Y
7	High Temp Limit Switch		066-531	Y
8	Valve Support Bracket		501-215	N
9	Valve Bracket		501-115	N
10	Flex Ball Valve Assembly		302-320A	Y
11	Valve NG		750-500	Y
	Valve LP		750-501	Y
12	ON/OFF Rocker Switch		060-521A	Y
13	Wire Assembly		593-590A	Y
14	Module		593-592	Y
15	3 Volt Transformer		593-593A	Y
16	Flexible Gas Connector		501-302	Y
	Battery Pack		593-594A	Y

Approval Listings and Codes

Appliance Certification

The Heat & Glo fireplace models discussed in this *Installers Guide* have been tested to certification standards and listed by the applicable laboratories.

MODEL	LABORATORY	TYPE	CERTIFICATION STANDARD
ST-42TVFL-IPI	Underwriters	B- Vent	ANSI Z21.50•CGA2.22

Installation Codes

The fireplace installation must conform to local codes. Before installing the fireplace, consult the local building code agency to ensure that you are in compliance with all applicable codes, including permits and inspections.

In the absence of local codes, the fireplace installation must conform to the National Fuel Gas Code ANSI Z223.1 (in the United States) or the CAN/CGA-B149 Installation Codes (in Canada). The appliance must be electrically grounded in accordance with local codes or, in the absence of local codes with the National Electric Code ANSI/NFPA No. 70 (in the United States), or to the CSA C22.1 Canadian Electric Code (in Canada).

This model (natural gas and propane) can be installed in a bedroom (in the United States) which has a total volume of unconfined space appropriate to the particular installation. Refer to the National Fuel Gas Code ANSI Z223.1/ NFPA54 (current edition). The Uniform Mechanical Code - (current edition), and local Building Officials for the options allowed in obtaining an effective bedroom volume of unconfined space.

This model (natural gas and propane) can be installed in a bedroom (in Canada) if a thermostat (Model WH-STAT) is installed with the unit. Consult local code authorities. Detailed installation instructions for Model WH-STAT are included with the kit.

High Altitude Installations

U.L. Listed gas appliances are tested and approved without requiring changes for elevations from 0 to 2,000 feet in the U. S. A. and in Canada.

When installing this appliance at an elevation above 2,000 feet, it may be necessary to decrease the input rating by changing the existing burner orifice to a smaller size. Input rate should be reduced by 4% for each 1000 feet above a 2000 foot elevation in the U.S.A. or 10% for elevations between 2000 and 4500 feet in Canada. If the heating value of the gas has been reduced, these rules do not apply. To identify the proper orifice size, check with the local gas utility.

If installing this appliance at an elevation above 4,500 feet (in Canada), check with local authorities.

Consult your local gas utility for assistance in determining the proper orifice for your location.



Heat & Glo Quality Systems
registered by SGS ICS

1

Approvals and Codes

Introducing the Heat & Glo Gas Fireplaces

Heat & Glo B-type vent gas fireplaces are designed to operate with all exhaust gases expelled to the outside of the building.

The information contained in this *Installers Guide*, unless noted otherwise, applies to all models and gas control systems.

Gas fireplace diagrams, including the dimensions, are shown in this section.

Pre-installation Preparation

This gas fireplace and its components are tested and safe when installed in accordance with this *Installers Guide*. Report to your dealer any parts damaged in shipment, particularly the condition of the glass. **Do not install any unit with damaged, incomplete, or substitute parts.**

The vent system components are shipped in separate packages. The gas logs are packed separately and must be field installed. **Read all of the instructions before starting the installation. Follow these instructions carefully during the installation to ensure maximum safety and benefit. Failure to follow these instructions will void the owner's warranty and may present a fire hazard.**

The Heat & Glo Warranty will be voided by, and Heat & Glo disclaims any responsibility for, the following actions:

- Installation of any damaged fireplace or vent system component.
- Modification of the fireplace or vent system.
- Installation other than as instructed by Heat & Glo.
- Improper positioning of the gas logs or the glass door.
- Installation and/or use of any component part not manufactured and approved by Heat & Glo not withstanding any independent testing laboratory or other party approval of such component part or accessory.

ANY SUCH ACTION MAY POSSIBLY CAUSE A FIRE HAZARD.

2

Getting Started

When planning a fireplace installation, it's necessary to determine:

- Where the unit is to be installed.
- The vent system configuration to be used.
- Gas supply piping.
- Electrical wiring.
- Framing and finishing details.
- Whether optional accessories—devices such as a fan, wall switch, or remote control—are desired.

If the fireplace is to be installed on carpeting or tile, or on any combustible material other than wood flooring, the fireplace should be installed on a metal or wood panel that extends the full width and depth of the fireplace.

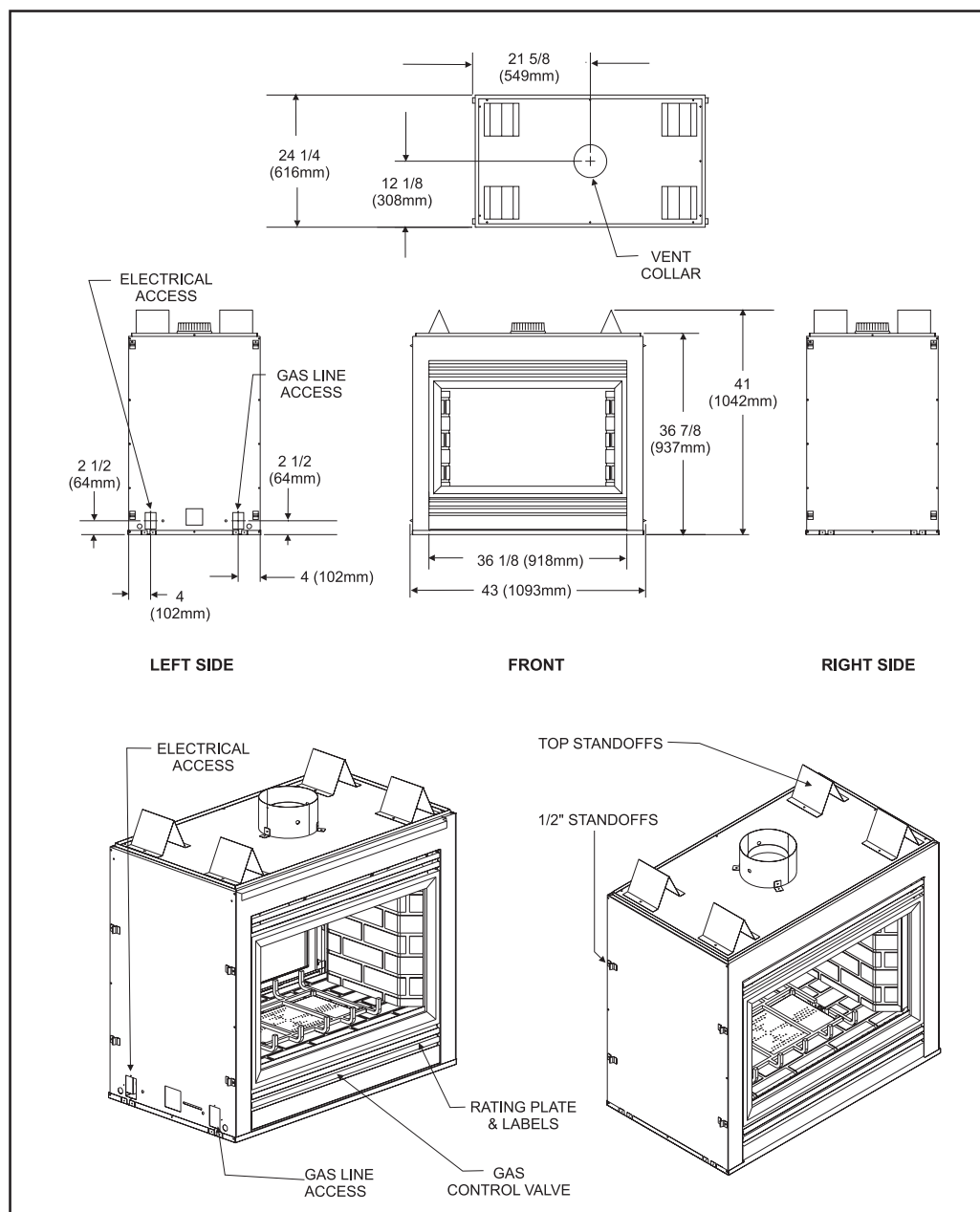


Figure 1. Diagram of the ST-42TVFL-IPI

Step 1 Locating the Fireplace

The diagram below shows space and clearance requirements for locating a fireplace within a room.

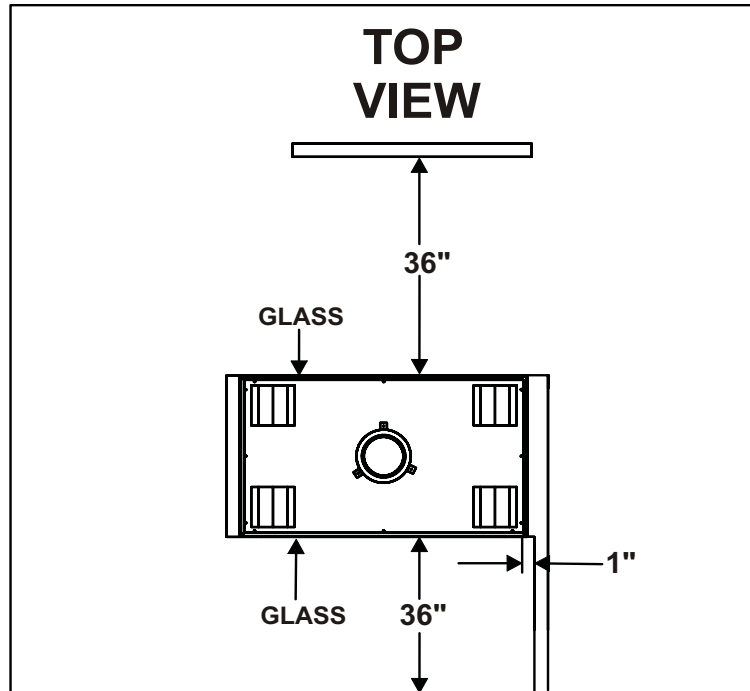


Figure 3. Fireplace Locations and Space Requirements

Clearance Requirements

The top, back, and sides of the fireplace are defined by stand-offs.

Minimum Clearances from the Fireplace to Combustible Materials					
Glass Sides	Floor	Back of Fireplace	Metal Ends of Fireplace	Top of Fireplace	Ceiling
36 inches (914 mm)	0	1/2 inch (13 mm)	1/2 inch (13 mm)	4-1/2 inches (114 mm)	36 inches (914 mm)

The clearance to the ceiling is measured from the top of the unit, excluding any standoffs (see Step 10 Finishing).

The minimum clearance to a perpendicular wall extending past the face of the fireplace is one inch (25mm).

The metal end(s) of these fireplaces may **NOT** be recessed into combustible construction.

3

Installing the Fireplace

Minimum Clearances from the B-Type Vent Pipe to Combustible Materials is 1 inch (25 mm) all around the pipe.

Step 2 Framing the Fireplace

Fireplace framing can be built before or after the fireplace is set in place. Framing should be positioned to accommodate wall coverings and fireplace facing material. The diagram below shows framing reference dimensions.

CAUTION

MEASURE FIREPLACE DIMENSIONS, AND VERIFY FRAMING METHODS AND WALL COVERING DETAILS, BEFORE FRAMING CONSTRUCTION BEGINS.

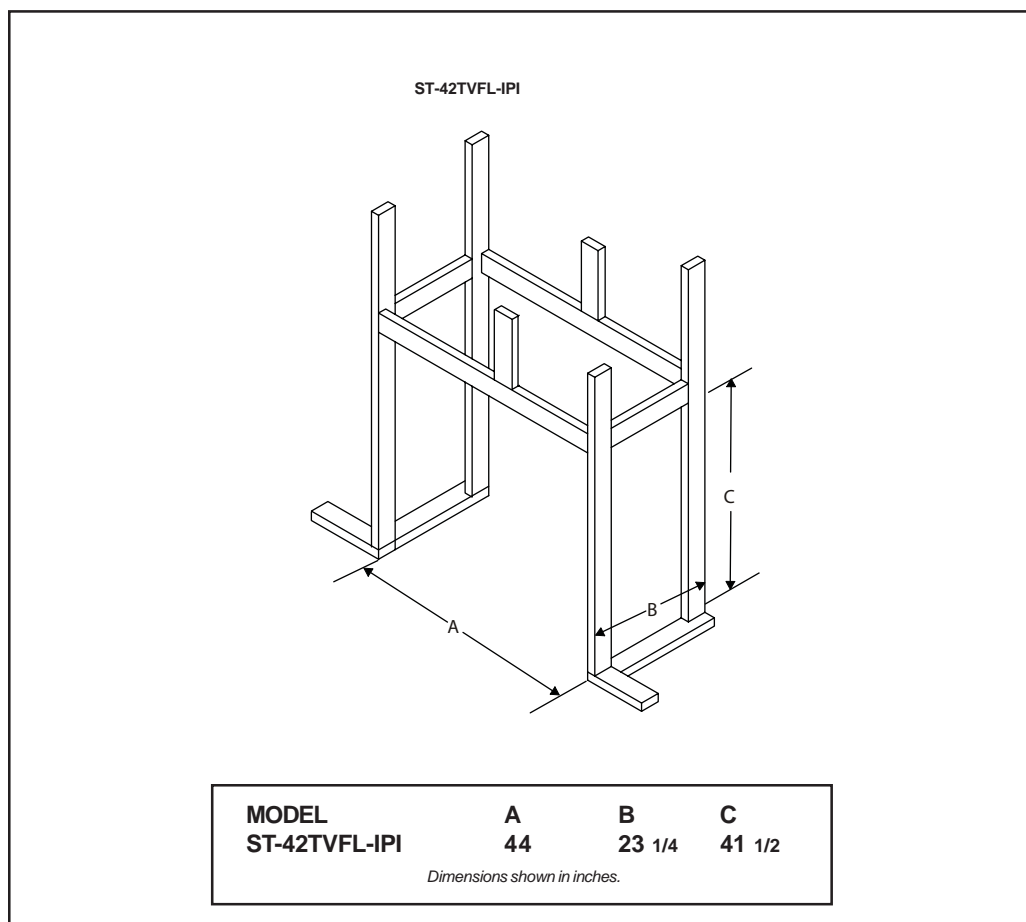


Figure 4. Framing Dimensions

Step 3 Negative Pressure Make-up Air

Negative Pressure warning: When negative pressure is present, an atmospherically vented fireplace (with a draft hood) may not function properly and it may down draft. In the case of a gas appliance, spillage of the combustion gases may occur. **This may create a dangerous carbon monoxide situation in the house.**

The causes of negative pressure to a house can include the following:

- Stack effect in the building.
- Exhaust only appliances (mechanically and atmospherically vented).
- Inadequate make-up air (which is increasingly more prevalent in new construction).

NOTE: This fireplace will operate correctly only if adequate ventilation is provided to allow proper draft to the fireplace system. Heat & Glo assumes no responsibility for the improper performance of the fireplace system caused by inadequate draft due to environmental conditions, down drafts, tight sealing construction of the structure, or mechanical exhausting devices which create a negative air pressure within the structure where the fireplace is located.

It is recommended that all natural venting non-air tight gas fireplaces have outside air connected to them. It is also recommended that the building be mechanically or passively balanced to allow atmospherically vented appliances, such as top vented gas fireplaces with draft hoods, to draft properly. If the home experiences negative pressure or is likely to experience negative pressure, connection to an outside air source is mandatory.

Installing Optional Outside Make-up Air: This unit is equipped to accept outside air. By using outside make-up air, the amount of room air used for combustion will be reduced. It is recommended that an AK-TV air kit be used with this appliance.



WARNING: IN A NEGATIVE PRESSURE CONDITION (LIKELY TO OCCUR IN NEW HOMES THAT DO NOT HAVE ADEQUATE MAKE-UP AIR) THE OUTSIDE AIR KIT MUST BE INSTALLED TO OBTAIN PROPER PERFORMANCE AND TO HELP PREVENT SPILLAGE OF COMBUSTION GASES.

A 4-inch damper assembly (found in AK-TV Kit) must be installed to the fireplace. See Figure 5. Attach the damper assembly to the outer wrap of the fireplace using sheetmetal screws

Detailed installation instructions for Model AK-TV Outside Air kit are found in the kit.

Air Damper

Before lighting the burner, open the damper plate by sliding the air damper rod, located by the gas valve, towards you.

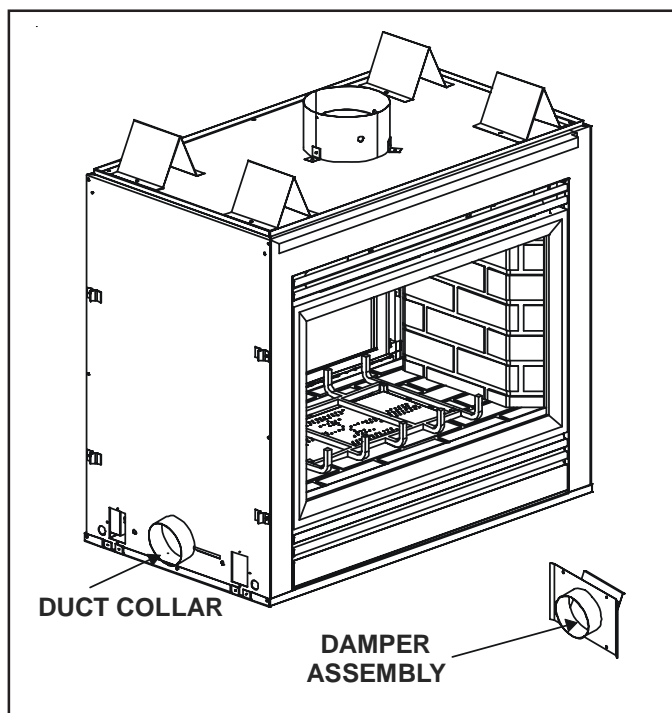


Figure 5. Make-up Air

Step 4 Installing the Vent System

A. Vent System Approvals

These fireplaces are approved to use 6-inch (152mm) diameter B-type vent. B-type vent must be used when the vent system is within combustible construction.

These models may also use single wall rigid or flexible gas vent **IF** and **ONLY IF** the vent system is installed within non-combustible construction such as a masonry chimney. The same diameters noted above for B-type vent must be used for single-wall vent. See Figure 6.

The flame and ember appearance may vary based on the type of fuel burned and the venting configuration used.

B. System Components.

Vent System Configuration

MAXIMUM TOTAL HORIZONTAL RUN = 17 FT.

MINIMUM TOTAL VERTICAL RISE = 10 FT.

MAXIMUM NO. of ELBOWS: 2 - 90° or 4 - 45°

Plan and install the vent system using the parameters shown above.



WARNING: YOU MUST NOT EXCEED THESE PARAMETERS.

Connect a B-Type vent component to the flue outlet collar. Look at top inside of the firebox to check that the vent pipe is attached to the unit. **NOTE: It is required to first attach a straight section of vent to the unit before attaching a 90° elbow. Avoid using elbows in the vent system if possible.**

A 90-degree elbow **CANNOT** be attached directly to the unit. **A 45° elbow can be attached directly to the unit.** It must have a straight section of pipe attached to it for a **MINIMUM** of 4-feet before a second 45° elbow to a horizontal run (see Figure 6). The horizontal component of the vent system must not exceed a **MAXIMUM** of 17-feet. The vertical component of the vent system must exceed a **MINIMUM** of 10-feet. Two 45° elbows to vertical can be used at any length within the 17-foot maximum horizontal component.

Continue to add vent components, until the vent run is completed.



WARNING: YOU MUST NOT EXCEED A TOTAL MAXIMUM HORIZONTAL RUN OF 17 FEET FOR THE ENTIRE VENT SYSTEM.

NOTE: The vent termination must be in a vertical position and the termination cap must be listed for the vent pipe used.

Consult local building code officials and codes for proper vent system installations.

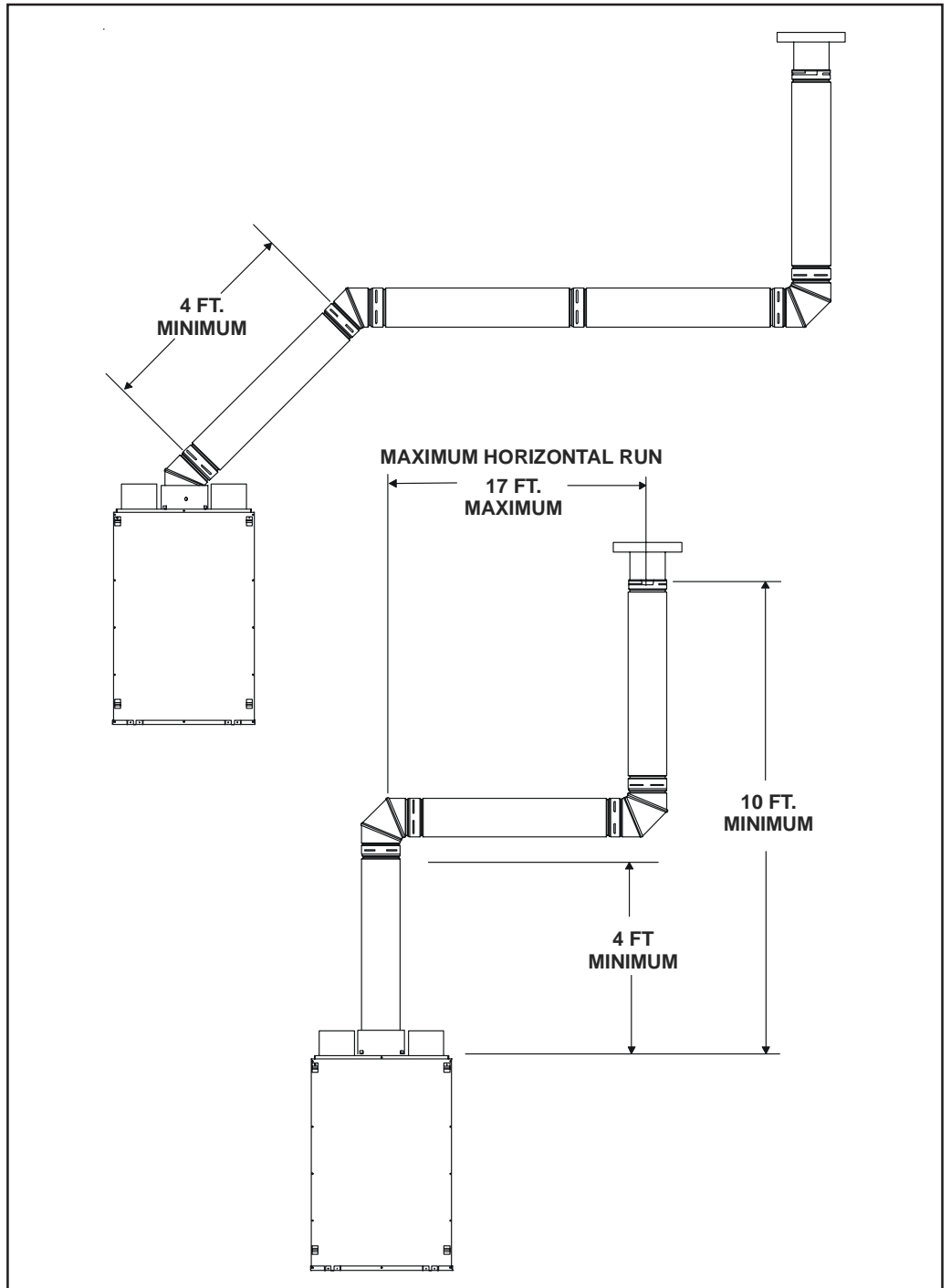


Figure 6. Vent System Attachment



WARNING: THIS GAS FIREPLACE MUST NEVER BE VENTED BY CONNECTING TO A CHIMNEY FLUE SERVING A SEPARATE SOLID FUEL BURNING APPLIANCE.

C. Bedroom Installation in Canada

This model **MUST NOT** be vented into a vent system installed exterior to a building. The part of the vent system above the roof line can be exterior to the building.

D. Vent Termination



WARNING: MAJOR U.S. BUILDING CODES SPECIFY MINIMUM CHIMNEY AND/OR VENT HEIGHT ABOVE THE ROOF TOP. THESE MINIMUM HEIGHTS ARE NECESSARY IN THE INTEREST OF SAFETY. FIGURE 7 AND TABLE SHOW MINIMUM HEIGHTS, PROVIDED THE TERMINATION CAP IS AT LEAST 8-FEET FROM A VERTICAL WALL.

NOTE: THERE SHOULD BE A 5 FOOT (60") MINIMUM CLEARANCE TO AN UNVENTILATED VINYL CLAD SOFFIT.

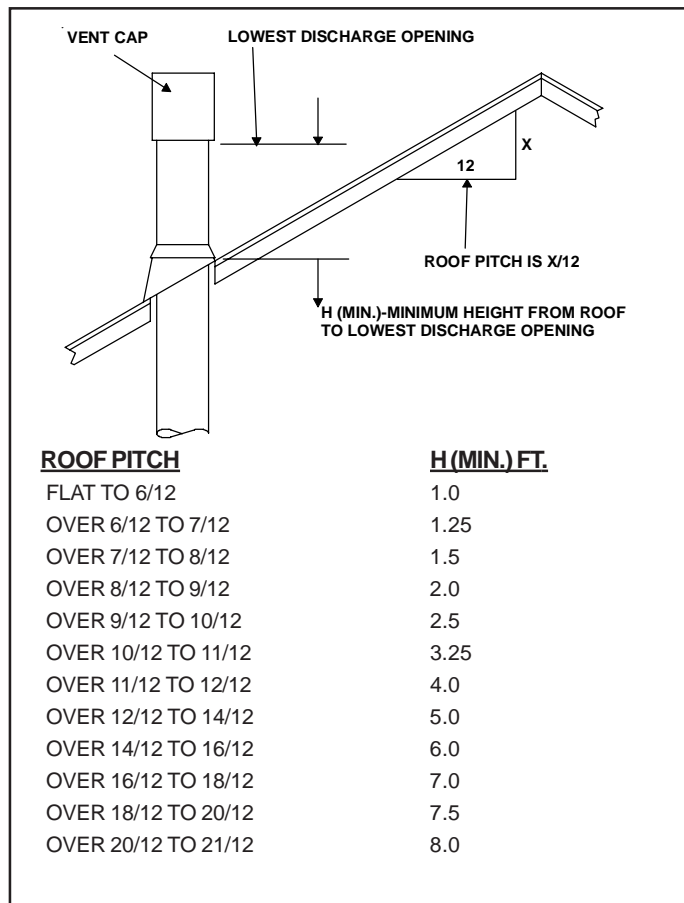


Figure 7. Vent Termination

Step 5 Positioning, Leveling, and Securing the Fireplace

1. Place the fireplace into position.
2. Level the fireplace from side to side and from front to back.
3. Shim the fireplace with non-combustible material, such as sheet metal, as necessary.
4. Secure the fireplace to the framing by nailing or screwing.

The diagram below shows how to properly position, level, and secure the fireplace.

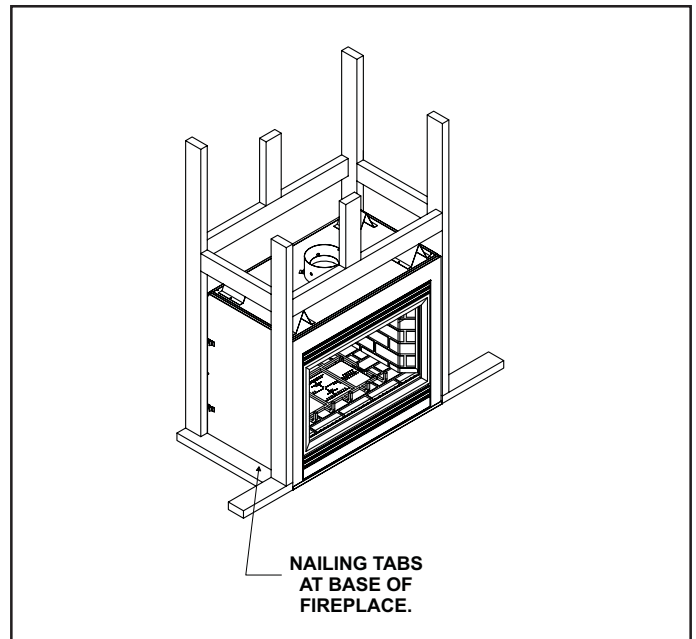


Figure 8. Proper Positioning, Leveling, and Securing of a Fireplace

Step 6 The Gas Control System



WARNING: THIS UNIT IS NOT FOR USE WITH SOLID FUEL.

Intermittent Pilot Ignition (IPI) System

This system includes 3V control valve, electronic module and intermittent pilot.



WARNING: 110-120 VAC MUST NEVER BE CONNECTED TO A CONTROL VALVE IN A MILLIVOLT SYSTEM.

Step 7 The Gas Supply Line

NOTE: Have the gas supply line installed in accordance with local building codes by a qualified installer approved and/or licensed as required by the locality. (In the Commonwealth of Massachusetts installation must be performed by a licensed plumber or gas fitter).

NOTE: Before the first firing of the fireplace, the gas supply line should be purged of any trapped air.

NOTE: Consult local building codes to properly size the gas supply line leading to the 1/2 inch (13 mm) hook-up at the unit.

This gas fireplace is designed to accept a 1/2 inch (13 mm) gas supply line. To install the gas supply line:

- A listed (and the Commonwealth of Massachusetts approved) 1/2 inch (13mm) tee-handle manual shut-off valve and a listed flexible gas connector are connected to the 1/2 inch (13mm) inlet of the control valve. **NOTE:** If substituting for these components, please consult local codes for compliance.
- The gas line may be run from either side of the fireplace provided the hole in the outer wrap does not exceed 2 inches in diameter and it does not penetrate the airtight firebox.
- The gap between the supply piping and gas access hole can be plugged with non-combustible insulation to prevent cold air infiltration.
- Locate the gas line access hole in the outer casing of the fireplace.
- Remove decorative door by lifting up away to gain access to the gas control and shut-off valve, insert the gas supply line through the gas line hole, and connect it to the shut-off valve.
- When attaching the pipe, support the control so that the lines are not bent or torn.
- After the gas line installation is complete, all connections must be tightened and checked for leaks with a commercially available, non-corrosive leak check solution. Be sure to rinse off all leak check solution following testing.



WARNING: DO NOT USE AN OPEN FLAME TO CHECK FOR GAS LEAKS.

- At the gas line access hole, use insulation to re-pack the space around the gas pipe.
- Insert insulation from the outside of the fireplace and pack the insulation tightly to totally seal between the pipe and the outer casing.

The gas line should be installed by a qualified service technician.

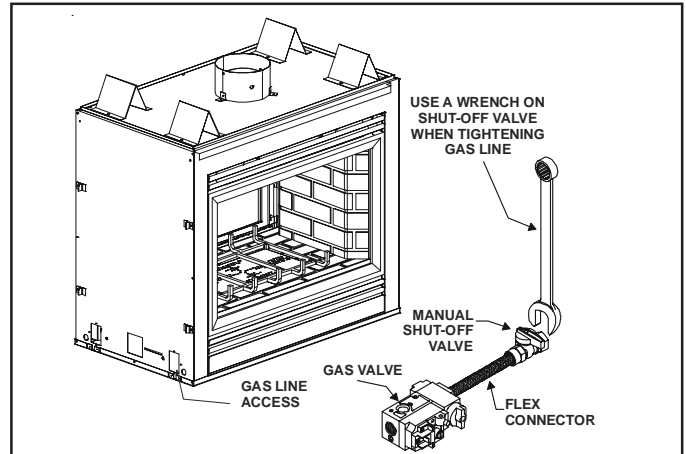


Figure 9. Gas Supply Line

Step 8 Gas Pressure Requirements

Pressure requirements for Heat & Glo gas fireplaces are shown in the table below.

Pressure	Natural Gas	Propane
Minimum Inlet Pressure	5.0 inches w.c.	11.0 inches w.c.
Maximum Inlet Gas Pressure	14.0 inches w.c.	14.0 inches w.c.
Manifold Pressure	3.5 inches w.c.	10.0 inches w.c.

A one-eighth (1/8) inch (3 mm) N.P.T. plugged tapping is provided on the inlet and outlet side of the gas control for a test gauge connection to measure the manifold pressure.

The fireplace and its individual shut-off valve must be disconnected from the gas supply piping system during any pressure testing of the system at test pressures in excess of one-half (1/2) psig (3.5 kPa).

The fireplace must be isolated from the gas supply piping system by closing its individual shut-off valve during any pressure testing of the gas supply piping system at test pressures equal to or less than one-half (1/2) psig (3.5 kPa).

Step 9 Wiring the Fireplace

NOTE: Electrical wiring must be installed by a licensed electrician.

Caution: Disconnect remote controls if you are absent for extended time periods. This will prevent accidental fireplace operation.

Appliance Requirements

- This appliance **DOES NOT** require 110-120 VAC to operate.



WARNING
DO NOT CONNECT 110-120 VAC TO THE GAS CONTROL VALVE WALL SWITCH OR THE APPLIANCE WILL MALFUNCTION AND THE VALVE WILL BE DESTROYED.

Optional Accessories

Optional remote control kits require that 110-120 VAC be wired to the factory installed junction box before the fireplace is permanently installed.

Wall Switch

Position the wall switch in the desired position on a wall. Run a maximum of 25 feet (7.8 m) or less length of 18 A.W.G. minimum wire and connect it to the fireplace ON/OFF switch pigtails.



WARNING
DO NOT CONNECT 110-120 VAC TO THE WALL SWITCH OR THE CONTROL VALVE WILL BE DESTROYED.

CAUTION

LABEL ALL WIRES PRIOR TO DISCONNECTION WHEN SERVICING CONTROLS. WIRING ERRORS CAN CAUSE IMPROPER AND DANGEROUS OPERATION. VERIFY PROPER OPERATION AFTER SERVICING.

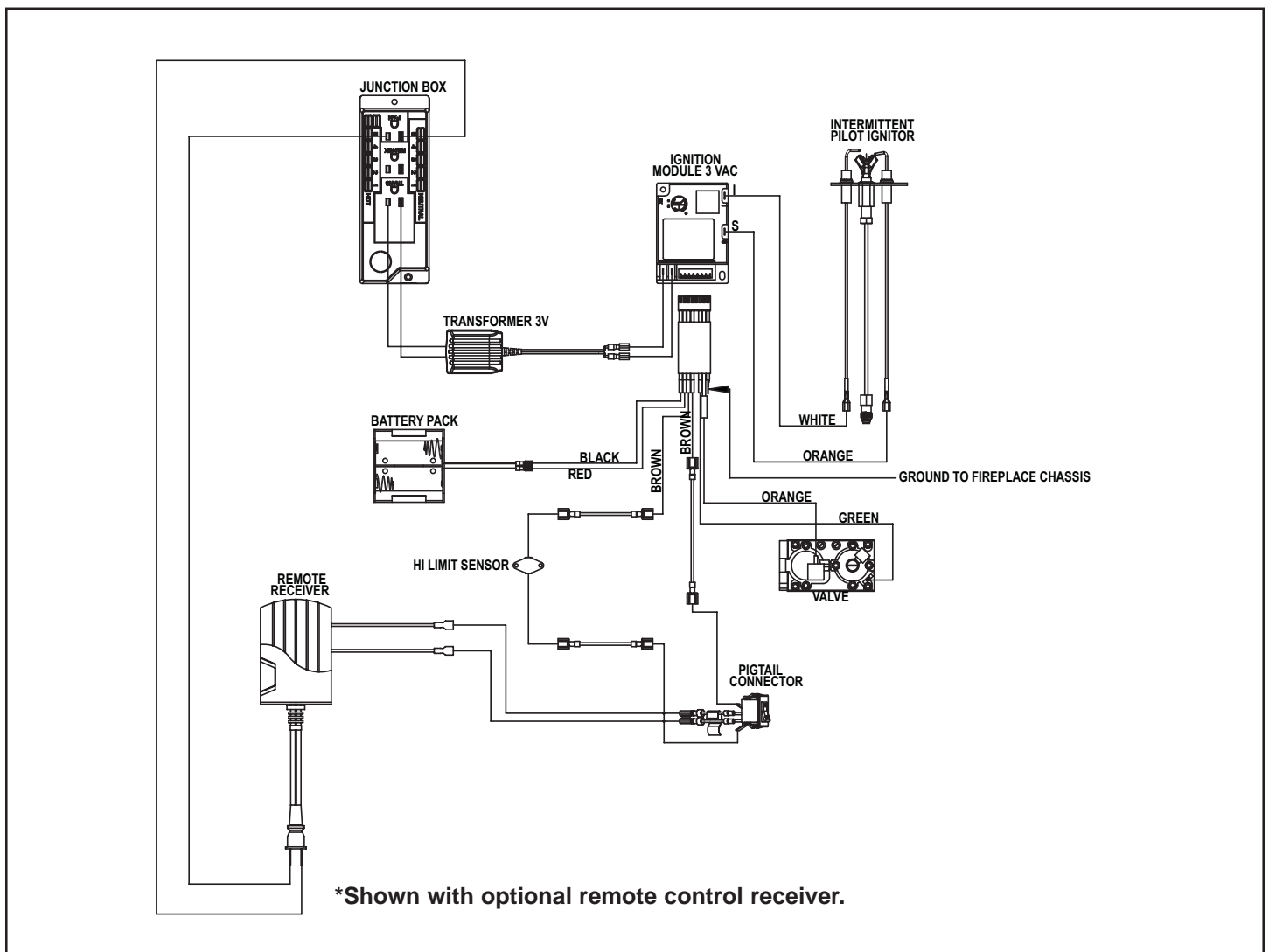


Figure 10. Intermittent Pilot Ignition (IPI) Wiring Diagram

For Intermittent Pilot Ignition (IPI) Wiring

Appliance Requirements

This appliance requires that 110-120 VAC be wired to the junction box. Maintain correct polarity when wiring the junction box.

Operation using Battery Power

This fireplace has an optional battery operation. The system is fully functional with the use of two "D" size batteries without ordinary 110-120 VAC power.

Wiring to the battery pack should be left disconnected in order to conserve battery life. In the case of a loss of power, simply connect red and black wire leads to activate battery power (connect red to red, black to black). The fireplace can be used as necessary. Once power (110 VAC) is restored, disconnect red and black wire leads to extend battery life.

Wall Switch Installation for Fan (Optional)

If the box is being wired to a wall mounted switch for use with a fan (See Figure 11):

- The power supply for the appliance must be brought into a switch box.
- The power can then be supplied from the switch box to the appliance using a minimum of 14-3 with ground wire.
- At the switch box connect the black (hot) wire and red (switch leg) wire to the wall switch as shown.
- At the appliance connect the black (hot), white (neutral) and green (ground) wires to the junction box as shown.
- Add a 1/4 inch insulated female connector to the red (switch leg) wire, route it through the knockout in the face of the junction box, and connect to the top fan switch connector (1/4 inch male) as shown.

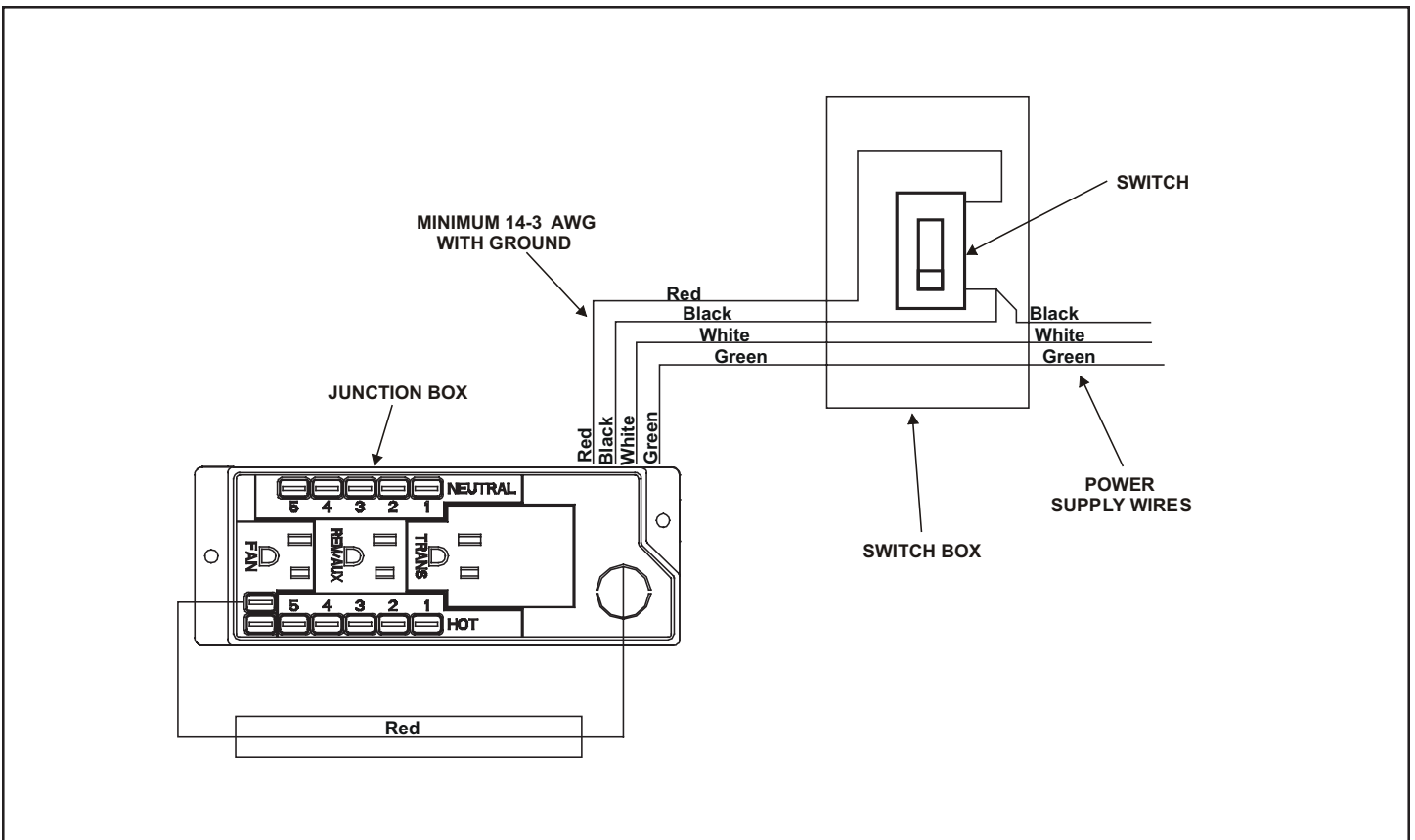


Figure 11. Junction Box Wired to Wall Switch

Step 10 Finishing

Only non-combustible materials may be used to cover the black fireplace front.

The following diagram shows the minimum vertical and corresponding maximum horizontal dimensions of fireplace mantels or other combustible projections above the top front edge of the fireplace. See Figures 1, 2 and 3 for other fireplace clearances.

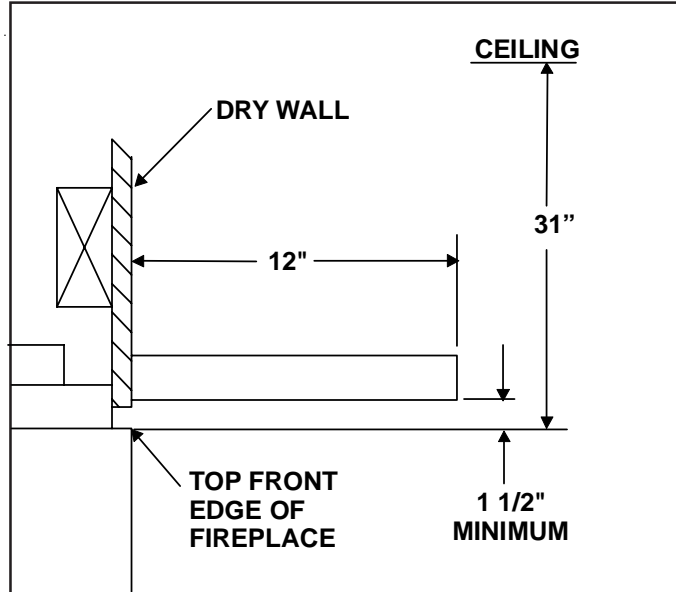


Figure 12. Minimum Vertical and Maximum Horizontal Dimensions of Combustibles above Fireplace



WARNING
WHEN FINISHING THE FIREPLACE,
NEVER OBSTRUCT OR MODIFY THE
AIR INLET/OUTLET GRILLES IN ANY
MANNER.

CAUTION

IF JOINTS BETWEEN THE FINISHED WALLS AND THE FIREPLACE SURROUND (TOP AND SIDES) ARE SEALED, A 300° F. MINIMUM SEALANT MATERIAL MUST BE USED. THESE JOINTS ARE NOT REQUIRED TO BE SEALED. ONLY NON-COMBUSTIBLE MATERIAL (USING 300° F. MINIMUM ADHESIVE, IF NEEDED) CAN BE APPLIED AS FACING TO THE FIREPLACE SURROUND. SEE THE FOLLOWING DIAGRAM

1. Apply only non-combustible facing material to the fireplace surround.

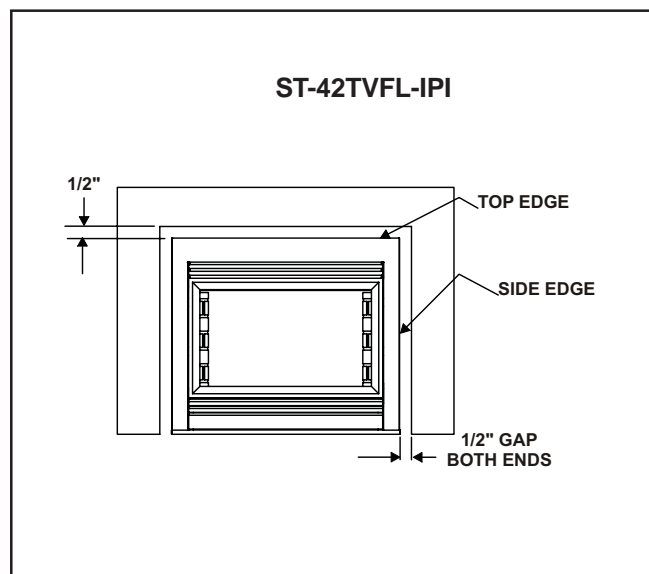


Figure 13. Sealant Material

Hearth Extensions

A hearth extension may be desirable for aesthetic reasons. However, ANSI or CAN/CGA testing standards **do not** require hearth extensions for gas fireplace appliances.

Installing the Trim

Combustible materials may be brought up to the specified clearances on the side and top front edges of the fireplace, but **MUST NEVER** overlap onto the front face. The joints between the finished wall and the fireplace top and sides can only be sealed with a 300° F. (149° C) minimum sealant.



WARNING: WHEN FINISHING THE FIREPLACE, NEVER OBSTRUCT OR MODIFY THE AIR INLET/OUTLET GRILLES IN ANY MANNER.

Step 11 Installing Trim, Logs, and Ember Material

Install optional marble and brass trim surround kits as desired. Marble, brass, brick, tile, or other non-combustible materials can be used to cover up the gap between the sheet rock and the fireplace.

Do not obstruct or modify the air inlet/outlet grilles. When overlapping on both sides, leave enough space so that the glass door can be removed.

Positioning the Logs

If the gas logs have been factory installed they should not need to be positioned.

If the logs have been packaged separately, refer to the installation instructions that accompany the logs. **Save the log instructions with this manual.**

If sooting occurs, the logs might need to be repositioned slightly to avoid excessive flame impingement.

GLASS SPECIFICATIONS:

LARGE GLASS: TEMPERED

SMALL GLASS: TEMPERED

Heat & Glo fireplaces manufactured with tempered glass may be installed in hazardous locations such as bathtub enclosures as defined by the CPSC. The tempered glass has been tested and certified to the requirements of ANSI Z97.1-1984 and CPSC 16 CFR 1202. (Safety Glazing Certification Council SGCC # 1595 and 1597. Architectural Testing, Inc. Reports 02-31919.01 and 02-31917.01.)

This statement is in compliance with CPSC 16 CFR Section 1201.5 "Certification and labeling requirements" which refers to 15 USC 2063 stating "...Such certificate shall accompany the product or shall otherwise be furnished to any distributor or retailer to whom the product is delivered."

Some local building codes require the use of tempered glass with permanent marking in such locations. Glass meeting this requirement is available from the factory. Please contact your dealer or distributor to order.

Placing the Ember Material

Ember material is shipped with this gas fireplace. The bag labeled Golden Ember (GE-93) is flame colorant material. The bag labeled Glowing Ember (050-721) is standard glowing ember material. To place the ember material:

- Remove wing nuts and glass clips or tension springs around glass door. Remove glass door from unit.
 - Place dime size pieces of ember material about 1/2 inch apart near port holes in burner top. Do **NOT** press embers into burner ports. Cover the top of the burner with a single layer of ember material. For best performance do **NOT** place embers on the ports at the rear of the burner.
- Save the remaining ember materials for use during fireplace servicing. The bag of embers provided is sufficient for 3 to 5 applications.
 - Replace the wing nut, glass clips and screws.
 - Replace glass door and a front trim door on unit.
 - Hand tighten the wing nut.

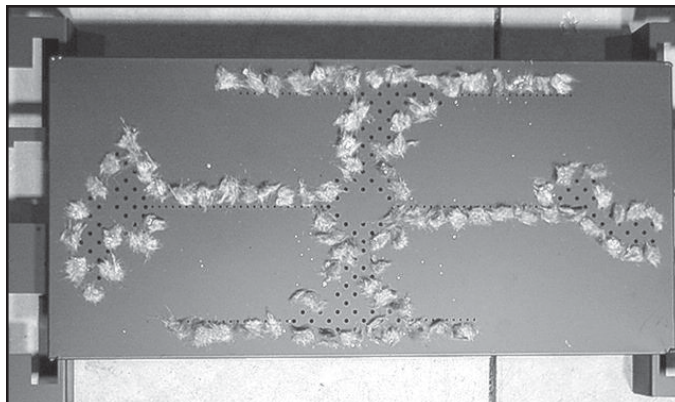


Figure 14. Placement of the Ember Material

Step 12 Before Lighting the Fireplace

Before lighting the fireplace, be sure to do the following:

Remove all paperwork and documents from underneath the fireplace.

Review safety warnings and cautions

- Read the **Safety and Warning Information** section at the beginning of this *Installers Guide*.

Double-check for gas leaks

- Before lighting the fireplace, double-check the unit for possible gas leaks.

Double-check vent terminations and front grilles for obstructions.

- Before lighting the fireplace, double-check the unit for possible obstructions that could be blocking the vent terminations or the front grilles.

Double-check for faulty components

- Any component that is found to be faulty **MUST BE** replaced with an approved component. Tampering with the fireplace components is **DANGEROUS** and voids all warranties.

A small amount of air will be in the gas supply lines. When first lighting the fireplace, it will take a few minutes for the lines to purge themselves of this air. Once the purging is complete, the fireplace will light and will operate normally.

Subsequent lightings of the fireplace will not require this purging of air from the gas supply lines, **unless the gas valve has been turned to the OFF position**, in which case the air would have to be purged.

NOTE: The fireplace should be run 3 to 4 hours on the initial start-up. Turn it off and let it cool completely. Remove and clean the glass. Replace the glass and run the fireplace for an additional 8 hours. This will help to cure the products used in the paint and logs.

During this break-in period it is recommended that some windows in the house be opened for air circulation. This will help avoid setting off smoke detectors, and help eliminate any odors associated with the fireplace's initial burning.

Step 13 Lighting the Fireplace

You've reviewed all safety warnings, you've checked the fireplace for gas leaks, you know the vent system is unobstructed, and you've checked for faulty components. Now you're ready to light the fireplace.



WARNING: PLEASE REFER TO THE USER'S MANUAL FOR ALL CAUTIONS, SAFETY, AND WARNING INFORMATION PERTAINING TO THE LIGHTING AND OPERATION OF THE FIREPLACE.

After the Installation

LEAVE THIS INSTALLATION MANUAL WITH THE APPLIANCE FOR FUTURE REFERENCE.

Fireplace Maintenance

Although the frequency fireplace servicing and maintenance will depend on use and the type of installation, you should have a qualified service technician perform an appliance check-up at the beginning of each heating season. See the table below for specific guidelines regarding each fireplace maintenance task.

IMPORTANT

TURN OFF THE GAS BEFORE SERVICING YOUR FIREPLACE.

4

Maintaining and Servicing Your Fireplace

Type of Maintenance	Frequency	By	Fireplace Maintenance Task To Be Completed
Replacing Old Ember Material	Once annually, during the annual check-up	Qualified Service Technician	Brush away loose ember material near the burner. Replace old ember material with new dime-size and -shape pieces of Golden Ember (GE-93) and Glowing Ember (050-721). New ember material should be placed alternately on top of the burner—a layer of Golden Ember, a layer of Glowing Ember, and so on. Save the remaining ember material and repeat this procedure at your next servicing.
Cleaning Burner & Controls	Once annually	Qualified Service Technician	Brush or vacuum the control compartment, fireplace logs, and burner areas surrounding the logs.
Cleaning Flame Sensor Rod (IPI) System	Periodically	Qualified Service Technician	Make a visual check of the straight flame sensor rod. Use emery cloth to carefully remove any existing film or white deposits.
Checking Flame Patterns, Flame Height	Periodically	Qualified Service Technician/ Owner	Make a visual check of your fireplace's flame patterns. Make sure the flames are steady—not lifting or floating. See the picture in Figure 14. The flame sensor or thermopile/thermocouple tips should be covered with flame.
Checking Vent System	Before initial use and at least annually thereafter, more frequently if possible	Qualified Service Technician/ Owner	Inspect the external vent cap on a regular basis to ensure that no debris is interfering with the flow of air. Inspect entire vent system for proper function.
Cleaning	As necessary	Homeowner	Remove and clean glass after the first 3-4 hours of use. After the initial cleaning, clean as necessary, particularly after adding new ember (flame colorant) material. Film deposits on inside of glass door should be cleaned off using a household glass cleaner. NOTE: DO NOT handle or attempt to clean door when it's hot. DO NOT use abrasive cleaners.

SHUTTER SETTINGS	
NG	1/2 INCH
LP	FIXED

MAKE SURE THE FLAMES ARE STEADY—NOT LIFTING OR FLOATING.

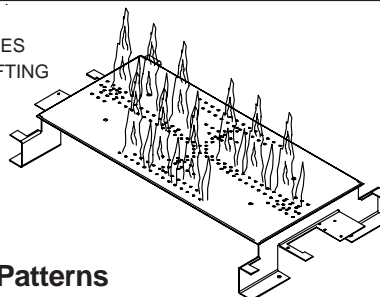


Figure 15.
Burner Flame Patterns

Free Manuals Download Website

<http://myh66.com>

<http://usermanuals.us>

<http://www.somanuals.com>

<http://www.4manuals.cc>

<http://www.manual-lib.com>

<http://www.404manual.com>

<http://www.luxmanual.com>

<http://aubethermostatmanual.com>

Golf course search by state

<http://golfingnear.com>

Email search by domain

<http://emailbydomain.com>

Auto manuals search

<http://auto.somanuals.com>

TV manuals search

<http://tv.somanuals.com>