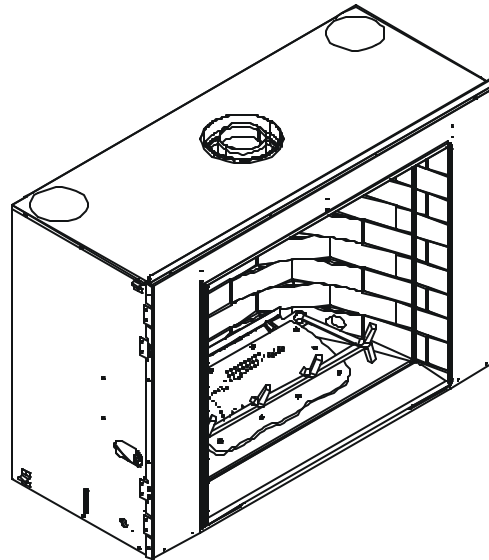




**Model:
Escape-36DV**

Installers Guide



Underwriters
Laboratories Listed

WARNING: IF THE INFORMATION IN THESE INSTRUCTIONS IS NOT FOLLOWED EXACTLY, A FIRE OR EXPLOSION MAY RESULT CAUSING PROPERTY DAMAGE, PERSONAL INJURY, OR DEATH.

- Do not store or use gasoline or other flammable vapors and liquids in the vicinity of this or any other appliance.
- **What to do if you smell gas**
 - Do not try to light any appliance.
 - Do not touch any electrical switch.
 - Do not use any phone in your building.
 - Immediately call your gas supplier from a neighbor's phone. Follow the gas supplier's instructions.
 - If you cannot reach your gas supplier, call the fire department.
- Installation and service must be performed by a qualified installer, service agency, or the gas supplier.

READ THIS MANUAL BEFORE INSTALLING OR OPERATING THIS APPLIANCE. THIS *INSTALLERS GUIDE* MUST BE LEFT WITH APPLIANCE FOR FUTURE REFERENCE.

WARNING: IMPROPER INSTALLATION, ADJUSTMENT, ALTERATION, SERVICE OR MAINTENANCE CAN CAUSE INJURY OR PROPERTY DAMAGE. REFER TO THIS MANUAL. FOR ASSISTANCE OR ADDITIONAL INFORMATION CONSULT A QUALIFIED INSTALLER, SERVICE AGENCY, OR THE GAS SUPPLIER.

1. This appliance may be installed in an aftermarket, permanently located, manufactured (mobile) home, where not prohibited by local codes.
2. This appliance is only for use with the type of gas indicated on the rating plate. This appliance is not convertible for use with other gases, unless a certified kit is used.

Printed in U.S.A. Copyright 2003,

Heat-N-Glo, a brand of Hearth & Home Technologies Inc.
20802 Kensington Boulevard, Lakeville, MN 55044


Please contact your Heat-N-Glo dealer with any questions or concerns. For the number of your nearest Heat-N-Glo dealer, please call 1-888-427-3973.


This product is covered by one or more of the following patents: (United States) 4,112,913; 4,408,594; 4,422,426; 4,424,792; 4,520,791; 4,793,322; 4,852,548; 4,875,464; 5,000,162; 5,016,609; 5,076,254 5,191,877; 5,218,953; 5,328,356; 5,429,495; 5,452,708; 5,542,407; 5,613,487; (Australia) 543790; 586383; (Canada) 1,123,296; 1,297,746; 2,195,264; (Mexico) 97-0457; (New Zealand) 200265; or other U.S. and foreign patents pending.

2012-900E 11/03


SAFETY AND WARNING INFORMATION


 **READ** and **UNDERSTAND** all instructions carefully before starting the installation. **FAILURE TO FOLLOW** these installation instructions may result in a possible fire hazard and will void the warranty.


 Prior to the first firing of the fireplace, **READ** the Using Your Fireplace section of the *Owners Guide*.


 **DO NOT USE** this appliance if any part has been under water. Immediately **CALL** a qualified service technician to inspect the unit and to replace any part of the control system and any gas control which has been under water.


 **THIS UNIT IS NOT FOR USE WITH SOLID FUEL.**


 Installation and repair should be **PERFORMED** by a qualified service person. The appliance and venting system should be **INSPECTED** before initial use and at least annually by a professional service person. More frequent cleaning may be required due to excessive lint from carpeting, bedding material, etc. It is **IMPERATIVE** that the unit's control compartment, burners, and circulating air passageways **BE KEPT CLEAN** to provide for adequate combustion and ventilation air.


 Always **KEEP** the appliance clear and free from combustible materials, gasoline, and other flammable vapors and liquids.


 **NEVER OBSTRUCT** the flow of combustion and ventilation air. Keep the front of the appliance **CLEAR** of all obstacles and materials for servicing and proper operations.


 Due to the high temperature, the appliance should be **LOCATED** out of traffic areas and away from furniture and draperies. Clothing or flammable material **SHOULD NOT BE PLACED** on or near the appliance.


 Children and adults should be **ALERTED** to the hazards of high surface temperature and should **STAY AWAY** to avoid burns or clothing ignition. Young children should be **CAREFULLY SUPERVISED** when they are in the same room as the appliance.


 These units **MUST** use one of the vent systems described in the Installing the Fireplace section of the *Installers Guide*. **NO OTHER** vent systems or components **MAY BE USED**.


 This gas fireplace and vent assembly **MUST** be vented directly to the outside and **MUST NEVER** be attached to a chimney serving a separate solid fuel burning appliance. Each gas appliance **MUST USE** a separate vent system. Common vent systems are **PROHIBITED**.


 **INSPECT** the external vent cap on a regular basis to make sure that no debris is interfering with the air flow.


 The glass door assembly **MUST** be in place and sealed, and the trim door assembly **MUST** be in place on the fireplace before the unit can be placed into safe operation.

 **DO NOT OPERATE** this appliance with the glass door removed, cracked, or broken. Replacement of the glass door should be performed by a licensed or qualified service person. **DO NOT** strike or slam the glass door.

 The glass door assembly **SHALL ONLY** be replaced as a complete unit, as supplied by the gas fireplace manufacturer. **NO SUBSTITUTE** material may be used.

 **DO NOT USE** abrasive cleaners on the glass door assembly. **DO NOT ATTEMPT** to clean the glass door when it is hot.

 Turn off the gas before servicing this appliance. It is recommended that a qualified service technician perform an appliance check-up at the beginning of each heating season.

 Any safety screen or guard removed for servicing must be replaced before operating this appliance.


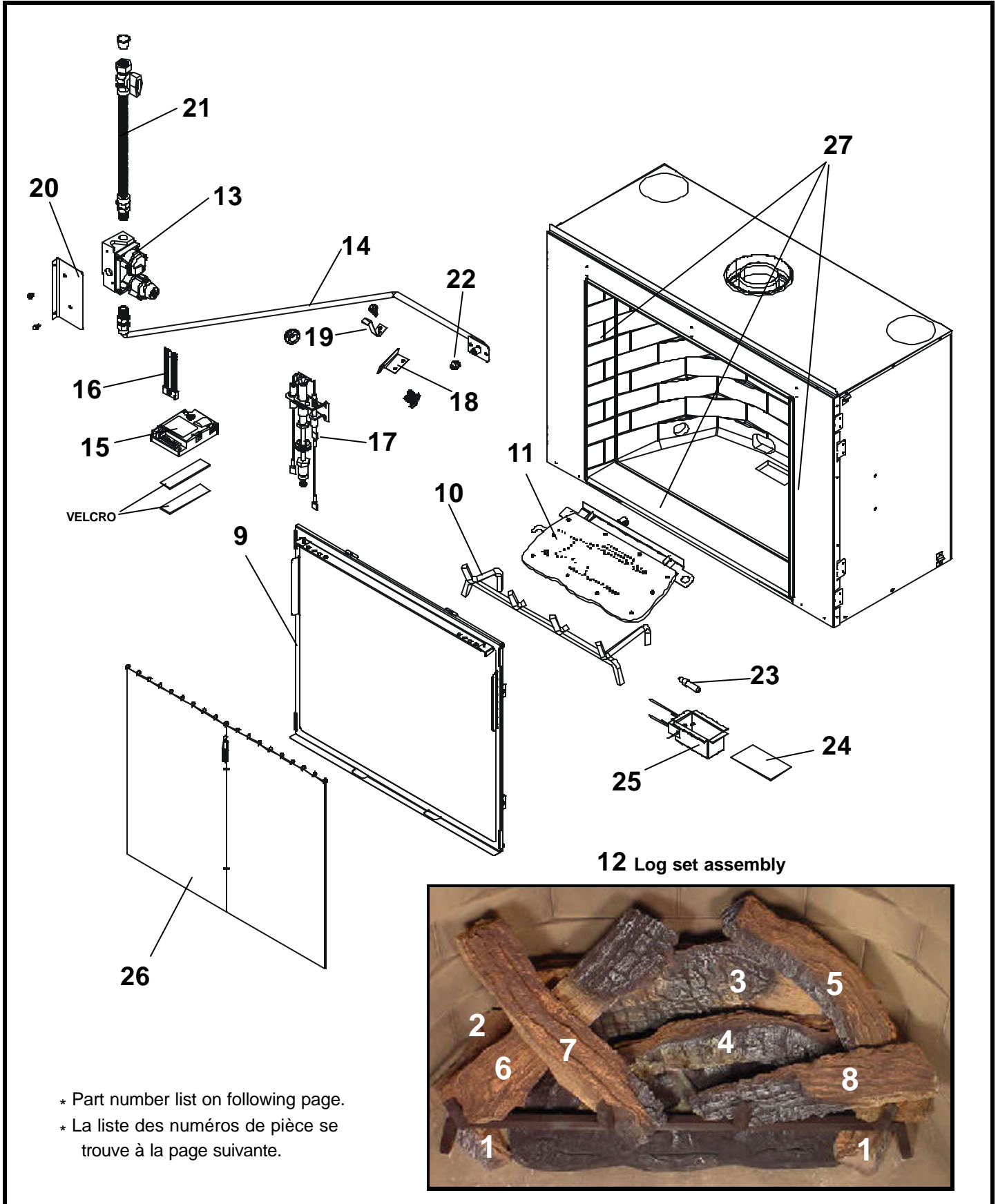
 **DO NOT** place furniture or any other combustible household objects within 36 inches of the fireplace front.

TABLE OF CONTENTS

Safety and Warning Information	2
◆ Service Parts Lists	4
Section 1: Approvals and Codes	6
Appliance Certification	6
Installation Codes	6
High Altitude Installations	6
Section 2: Getting Started	7
Introducing the Heat-N-Glo Gas Fireplaces	7
Pre-installation Preparation	7
Section 3: Installing the Fireplace	9
Constructing the Fireplace Chase	9
Step 1 Locating the Fireplace	9
Step 2 Framing the Fireplace.....	10
Step 3 Installing the Vent System	12
A. Vent System Approvals	12
B. Installing Vent Components	16
C. Vent Termination	17
Step 4 Positioning, Leveling, and Securing the Fireplace.....	19
Step 5 Installing the Optional Heat-Zone Kit	20
Step 6 The Gas Control Systems	20
Step 7 The Gas Supply Line	21
Step 8 Gas Pressure Requirements	21
Step 9 Wiring the Fireplace.....	22
Step 10 Finishing	23
Facing Requirements	24
Step 11 Positioning the Logs and Ember Material	24
Glass Specifications	24
Step 12 Before Lighting the Fireplace	25
Step 13 Lighting the Fireplace.....	25
After the Installation	25
Section 4: Maintaining and Servicing Your Fireplace	26

◆ = Contains updated information.



* Part number list on following page.
* La liste des numéros de pièce se trouve à la page suivante.

Service Parts List / Liste des pièces de rechange

ESCAPE-36DV

IMPORTANT: THIS IS DATED INFORMATION. The most current information is located on your dealers VIP site. When ordering, supply serial and model numbers to ensure correct service parts. / **IMPORTANT :** L'information fournie dans cette brochure n'est valide que pendant une courte période. Les sites VIP des distributeurs disposent des renseignements les plus récents. Lors d'une commande, veuillez fournir les numéros de série et de modèles pour un remplacement adéquat des pièces.

ITEM / PIÈCE	DESCRIPTION	PART NUMBER / N° DE PIÈCE
1	Log 1 / Bûche 1	SRV750-706
2	Log 2 / Bûche 2	SRV569-705
3	Log 3 / Bûche 3	SRV2012-161
4	Log 4 / Bûche 4	SRV2012-162
5	Log 5 / Bûche 5	SRV2012-163
6	Log 6 / Bûche 6	SRV2012-164
7	Log 7 / Bûche 7	SRV2012-165
8	Log 8 / Bûche 8	SRV2012-166
9	Glass Door Assembly / Porte en verre	GLA-ESCAPE
10	Log Grate / Grille de Bûche	2012-002
11	Burner / Brûleur	2012-006
12	Log Set Assembly / Jeu de Bûches	LOGS-ESCAPE
13	Valve Assembly / Valve	750-500
13	Valve Assembly / Valve	750-501
14	Flexible Gas Connector / Tuyau à gaz flexible	2012-008
15	Module / Module	593-592
16	Wire Assembly / Module de fil	593-590A
17	Pilot Assembly NG / Module de veilleuse GN	385-510A
17	Pilot Assembly LP / Module de veilleuse PL	385-511A
18	Pilot Bracket / Parenthèse Pilote	2012-108
19	Ground Strap / Courroie de Raison(Terre)	385-512
20	Valve Bracket / Parenthèse de Valve	2012-106
21	Flex Ball Valve Assembly / Fléchir l'Assemblée de Soupape de Balle	302-320A
22	Burner Orifice (#30C) NG / Orifice de brûleur (#30) GN	582-830
22	Burner Orifice (#49C) LP / Orifice de brûleur (#49C) PL	582-849
23	75 Halogen Bulb mini-can base / 75 Ampoule d'Halogène mini peut baser	*See note below
24	Orange Kapton Lens / La Lentille orange de Kapton	2012-114
25	Light Socket Assembly / L'Assemblée légère de Douille	2012-010
26	Mesh Assembly / Écran	MESH-ESCAPE
	Flue Restrictor 3" diameter / Restricteur de conduite de cheminée	2012-124
	Flue Restrictor 2" diameter / Restricteur de conduite de cheminée	2012-123
	Junction Box / Boîtier de dérivation	4021-013
	3V Adaptor Plug / 3V Bouchon d'adapteur	593-593A
27	Refractory Panels (Sold as set only) / Les Panneaux réfractaires	FRONT-PANEL-KIT
ACCESSORIES / ACCESSOIRES		
	Battery Pack / Paquet de Batterie(Pile)	593-594A
	Wall Switch Kit, Off-white / Interrupteur mural, blanc crème	WSK-21
	Wall Switch Kit, White / Interrupteur mural, blanc	WSK-21-W
	Multi-functional Wall Switch / Le Commutateur de Mur multi-fonctionnel	WSK-MLT
	Plug Adaptor Kit / Branchez(Bouchez) Kit Adaptor	PLUG-ADP
	Heat-Zone Kit / Trousse de chauffe-zone	HEAT-ZONE
	NG Conversion Kit / Module de conversion GN	NGK-ESCAPE-36DV
	LP Conversion Kit / Module de conversion PL	LPK-ESCAPE-36DV

*NOTE: Replacement bulbs to be supplied by homeowner. Recommended replacements: Sylvania Mini Candelabra 75 watts. See Section 4: Maintaining and Servicing your Fireplace for instructions.

1

Approvals and Codes

Appliance Certification

The Heat-N-Glo fireplace model discussed in this *Installers Guide* has been tested to certification standards and listed by the applicable laboratories.

Certification

MODEL: ESCAPE-36DV
LABORATORY: Underwriters Laboratories
TYPE: Direct Vent Gas Fireplace Heater
STANDARD: ANSI Z21.88-2000•CSA2.33-M98•UL307B

Installation Codes

The fireplace installation must conform to local codes. Before installing the fireplace, consult the local building code agency to ensure that you are in compliance with all applicable codes, including permits and inspections.

In the absence of local codes, the fireplace installation must conform to the National Fuel Gas Code ANSI Z223.1 (in the United States) or the CAN/CGA-B149 Installation Codes (in Canada). The appliance must be electrically grounded in accordance with local codes or, in the absence of local codes with the National Electric Code ANSI/NFPA No. 70 (in the United States), or to the CSA C22.1 Canadian Electric Code (in Canada).

These models may be installed in a bedroom or bed-sitting room in the U.S.A. and Canada.

High Altitude Installations

U.L. Listed gas appliances are tested and approved without requiring changes for elevations from 0 to 2,000 feet in the U. S. A. and in Canada.

When installing this appliance at an elevation above 2,000 feet, it may be necessary to decrease the input rating by changing the existing burner orifice to a smaller size. Input rate should be reduced by 4% for each 1000 feet above a 2000 foot elevation in the U.S.A. or 10% for elevations between 2000 and 4500 feet in Canada. If the heating value of the gas has been reduced, these rules do not apply. To identify the proper orifice size, check with the local gas utility.

If installing this appliance at an elevation above 4,500 feet (in Canada), check with local authorities.



Heat-N-Glo Quality
Systems registered
by SGS ICS

2

Getting Started

Introducing the Heat-N-Glo Gas Fireplaces

Heat-N-Glo direct vent gas fireplaces are designed to operate with all combustion air siphoned from outside of the building and all exhaust gases expelled to the outside.

The information contained in this *Installers Guide*, unless noted otherwise, applies to all models and gas control systems. Gas fireplace diagrams, including the dimensions, are shown in this section.

Pre-install Preparation

This gas fireplace and its components are tested and safe when installed in accordance with this *Installers Guide*. Report to your dealer any parts damaged in shipment, particularly the condition of the glass. **Do not install any unit with damaged, incomplete, or substitute parts.**

The vent system components and trim doors are shipped in separate packages. The gas logs may be packaged separately and must be field installed.

Read all of the instructions before starting the installation. Follow these instructions carefully during the installation to ensure maximum safety and benefit. Failure to follow these instructions will void the owner's warranty and may present a fire hazard.

The Heat-N-Glo Warranty will be voided by, and Heat-N-Glo disclaims any responsibility for, the following actions:

- Installation of any damaged fireplace or vent system component.
- Modification of the fireplace or direct vent system.
- Installation other than as instructed by Heat-N-Glo.
- Improper positioning of the gas logs or the glass door.
- Installation and/or use of any component part not manufactured and approved by Heat-N-Glo, not withstanding any independent testing laboratory or other party approval of such component part or accessory.

ANY SUCH ACTION MAY POSSIBLY CAUSE A FIRE HAZARD.

When planning a fireplace installation, it's necessary to determine:

- Where the unit is to be installed.
- The vent system configuration to be used.
- Gas supply piping.
- Electrical wiring.
- Framing and finishing details.
- Whether optional accessories—devices such as a fan, wall switch, or remote control—are desired.

If the fireplace is to be installed on carpeting or tile, or on any combustible material other than wood flooring, the fireplace should be installed on a metal or wood panel that extends the full width and depth of the fireplace.

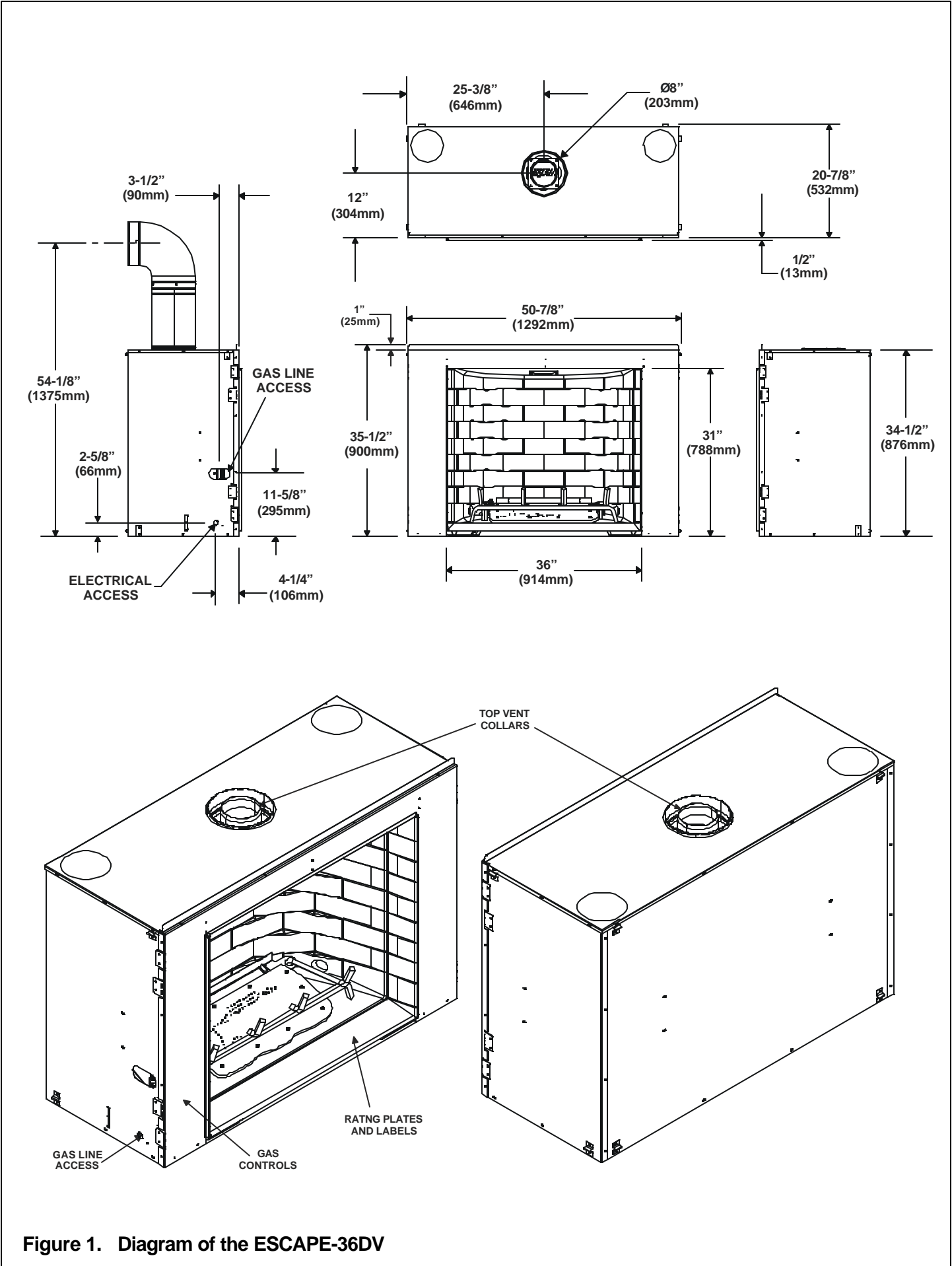


Figure 1. Diagram of the ESCAPE-36DV

3

Installing the Fireplace

Constructing the Fireplace Chase

A chase is a vertical box-like structure built to enclose the gas fireplace and/or its vent system. Vertical vents that run on the outside of a building may be, but are not required to be, installed inside a chase.

CAUTION: TREATMENT OF FIRESTOP SPACERS AND CONSTRUCTION OF THE CHASE MAY VARY WITH THE TYPE OF BUILDING. THESE INSTRUCTIONS ARE NOT SUBSTITUTES FOR THE REQUIREMENTS OF LOCAL BUILDING CODES. THEREFORE, YOUR LOCAL BUILDING CODES **MUST** BE CHECKED TO DETERMINE THE REQUIREMENTS FOR THESE STEPS.

Factory-built fireplace chases should be constructed in the manner of all outside walls of the home to prevent cold air drafting problems. The chase should not break the outside building envelope in any manner.

This means that the walls, ceiling, base plate and cantilever floor of the chase should be insulated. Vapor and air infiltration barriers should be installed in the chase as per regional codes for the rest of the home. Additionally, Heat-N-Glo recommends that the inside surfaces be sheetrocked and taped for maximum air tightness.

To further prevent drafts, the firestops should be caulked to seal gaps. Gas line holes and other openings should be caulked or stuffed with insulation. If the unit is being installed on a cement slab, we recommend that a layer of plywood be placed underneath to prevent conducting cold up into the room. Be sure to include spark arrestors for woodburning units if they are required.

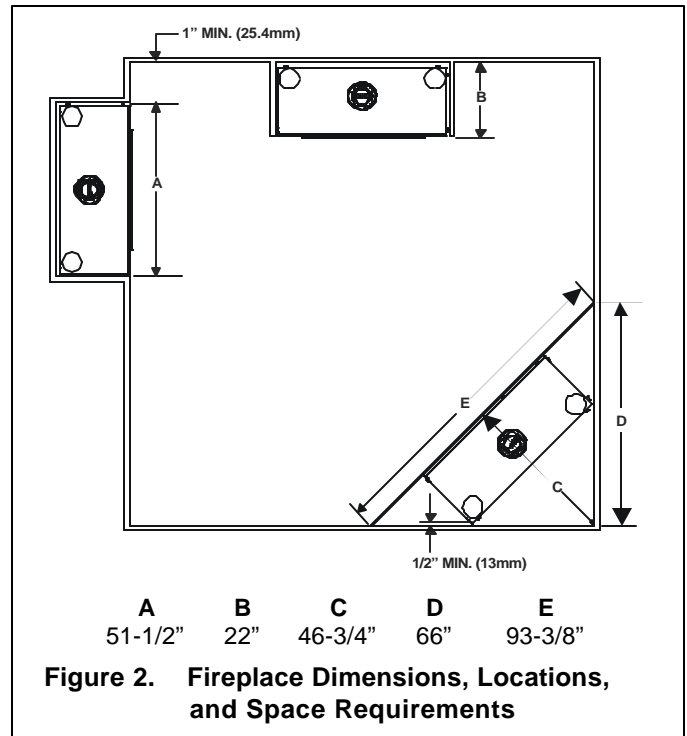
THE CHASE SHOULD BE CONSTRUCTED SO THAT ALL CLEARANCES TO THE FIREPLACE ARE MAINTAINED AS SPECIFIED WITHIN THIS INSTALLERS GUIDE.

Step 1. Locating the Fireplace

The following diagram shows space and clearance requirements for locating a fireplace within a room.

Clearance Requirements

The top, back, and sides of the fireplace are defined by stand-offs. The minimum clearance to a perpendicular wall extending past the face of the fireplace is 1" (25.4mm). The back of the fireplace may be recessed 22" (559 mm) into combustible construction.



Minimum Clearances from the Fireplace to Combustible Materials

	Inches	mm
Glass Front	36	914
Floor	0	0
Rear	1/2	13
Sides	1/2	13
Surround Sides*	1/2	13
Top	36	915
Ceiling**	31	787

* See Figure 3.

** The clearance to the ceiling is measured from the top of the unit, excluding the standoffs (see Figure 26).

The distance from the unit to combustible construction is to be measured from the unit outer wrap surface to the combustible construction, **NOT** from the screw heads that secure the unit together.

Minimum Clearances from the Vent Pipe to Combustible Materials

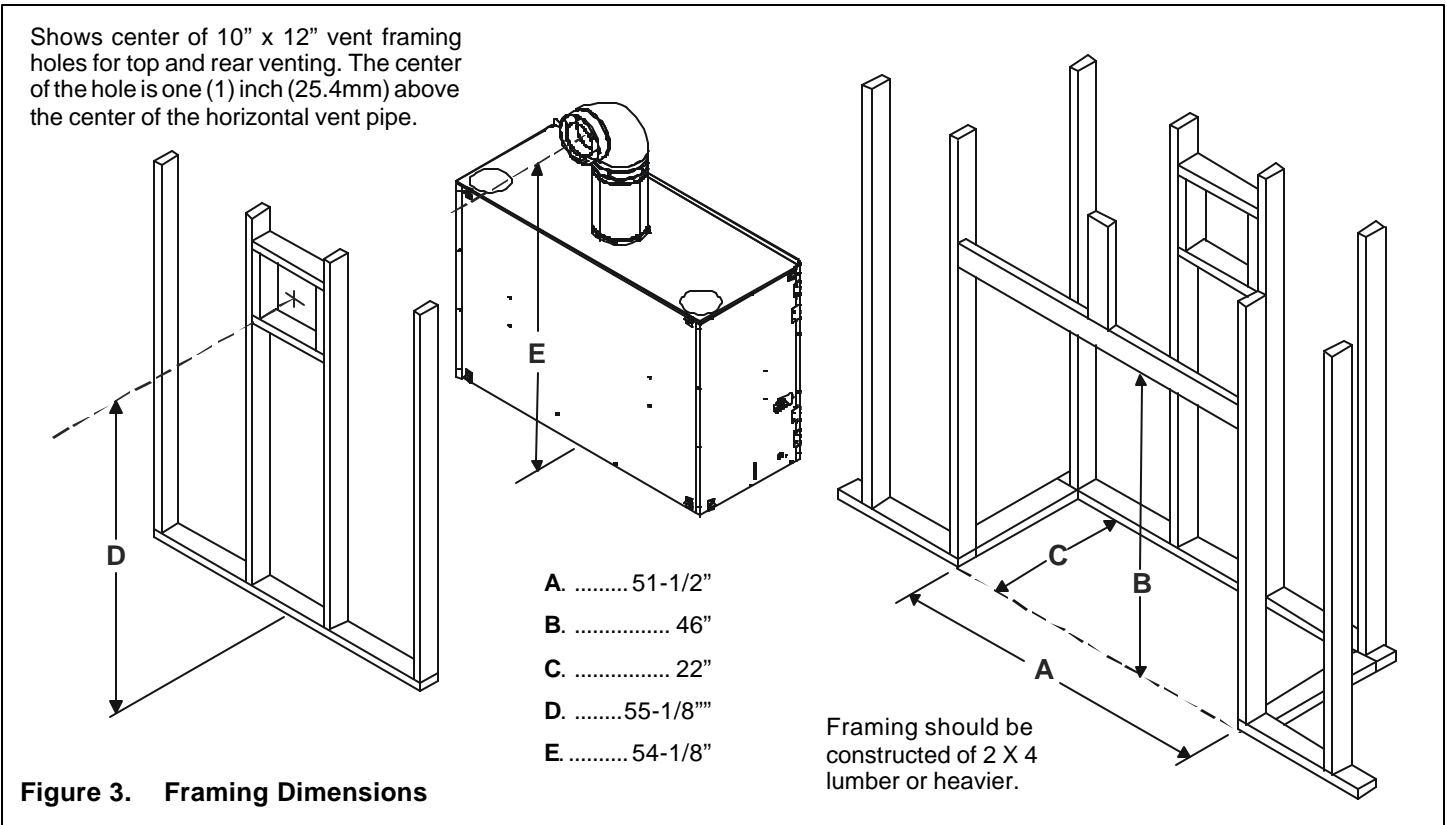
	Inches	mm
Vertical Sections	1	25
Horizontal Sections		
Top	3	75
Bottom	1	25
Sides	1	25
At Wall Firestops		
Top	3	75
Bottom	1	25
Sides	1	25

For minimum clearances, see the direct vent termination clearance diagrams on pages 17 and 18 in this manual.

Step 2. Framing the Fireplace

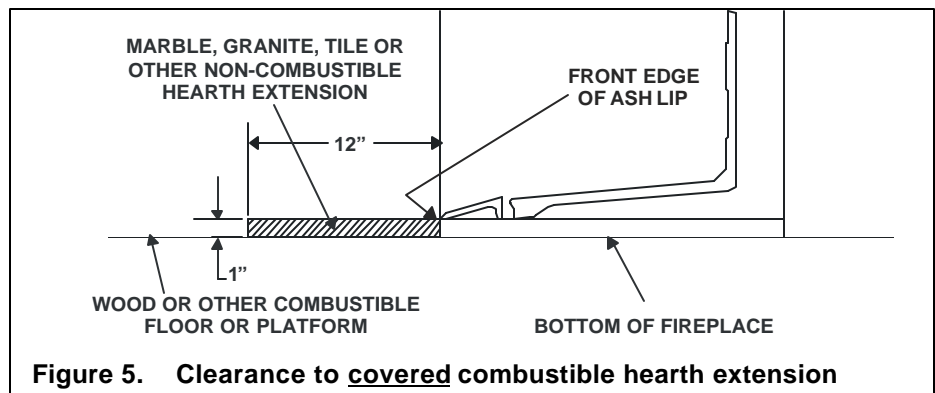
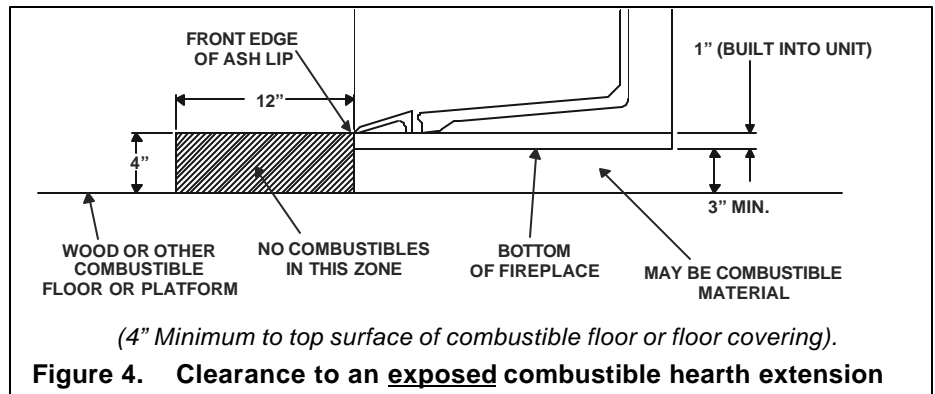
Fireplace framing can be built before or after the fireplace is set in place. Framing should be positioned to accommodate wall coverings and fireplace facing material. The diagram below shows framing reference dimensions.

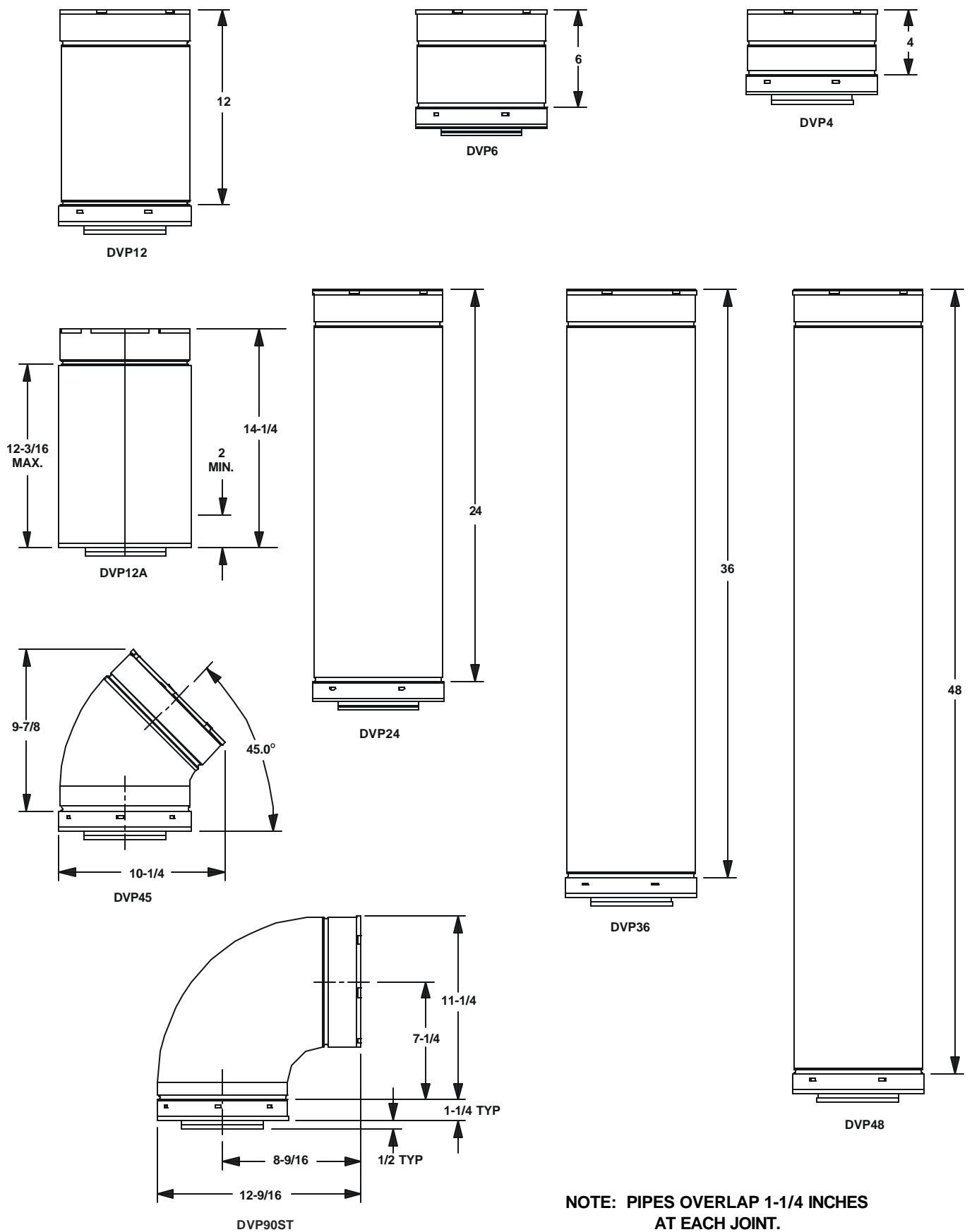
CAUTION: MEASURE FIREPLACE DIMENSIONS AND VERIFY FRAMING METHODS AND WALL COVERING DETAILS BEFORE FRAMING.



Clearance to Hearth Extension

If you want to use a non-combustible hearth extension then the clearance is reduced to 1 inch (25.4mm). See Figure 5.





NOTE: PIPES OVERLAP 1-1/4 INCHES AT EACH JOINT.

Figure 6. DVP-Series Direct Vent Component Specifications (5-inch inner pipe / 8-inch outer pipe)

Step 3. Installing the Vent System

A. Vent System Approvals

These models are approved to use DVP-series direct vent pipe components and terminations (see Figures 6 and 7). Approved vent system components are labeled for identification. This pipe is tested and listed as an approved component of the fireplace. The pipe is tested to be run inside an enclosed wall. There is no requirement for inspection openings at each joint within the wall. There is no required pitch for horizontal vent runs. **NO OTHER VENTING SYSTEMS OR COMPONENTS MAY BE USED.**

Detailed installation instructions are included with each vent termination kit and should be used in conjunction with this *Installers Guide*.

The flame and ember appearance may vary based on the type of fuel burned and the venting configuration used.

Identifying Vent Components

The vent systems installed on this gas fireplace may include one, two, or three 90° elbow assemblies. The relationships of vertical rise to horizontal run in vent configurations using 90° elbows **MUST BE** strictly adhered to. The rise to run relationships are shown in the venting drawings and tables. Refer to the diagrams on the next several pages.

NOTE: Two 45° elbows may be used in place of one 90° elbow. Rise to run ratios in the vent system must be followed if 45° elbows are used.

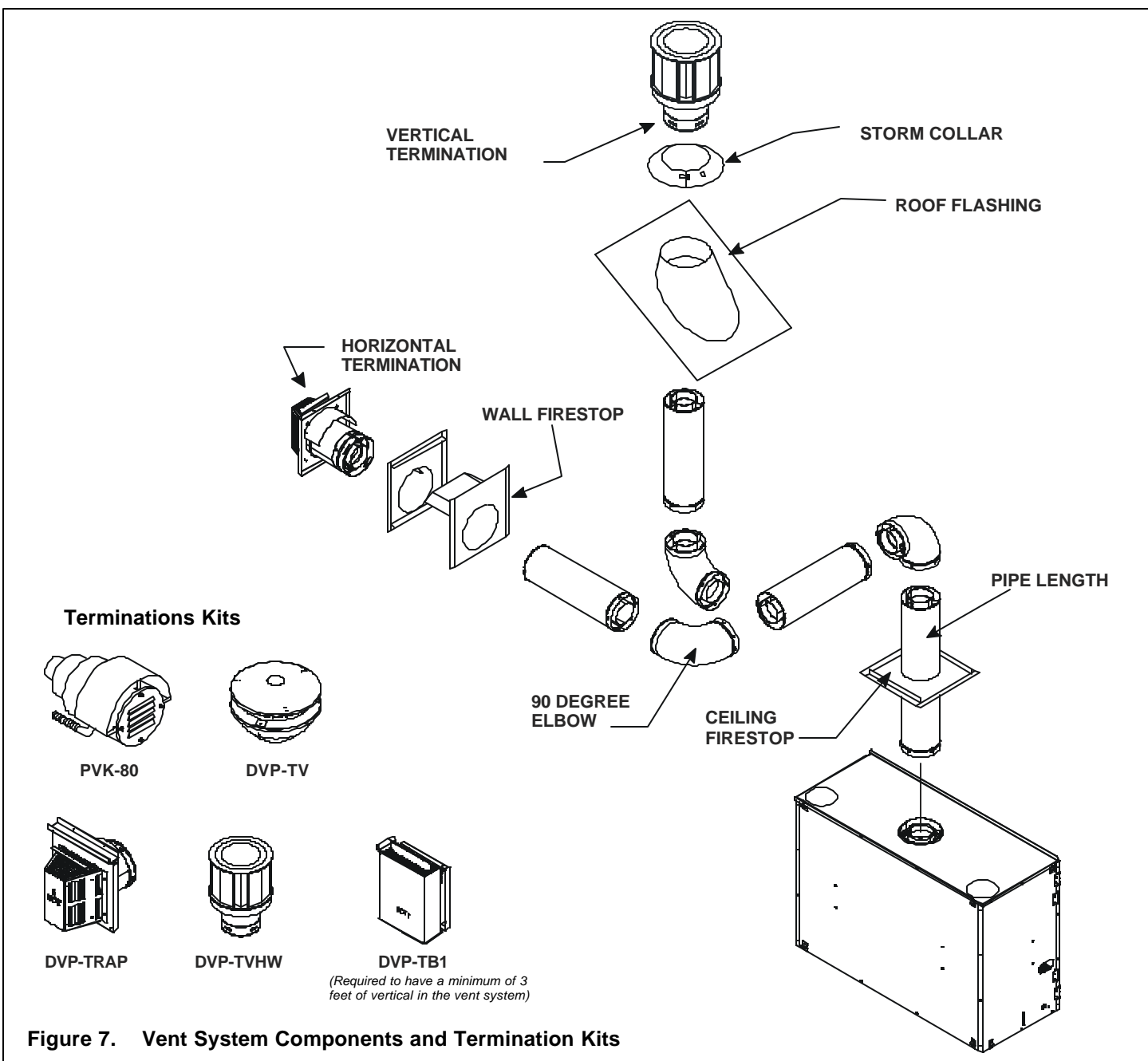
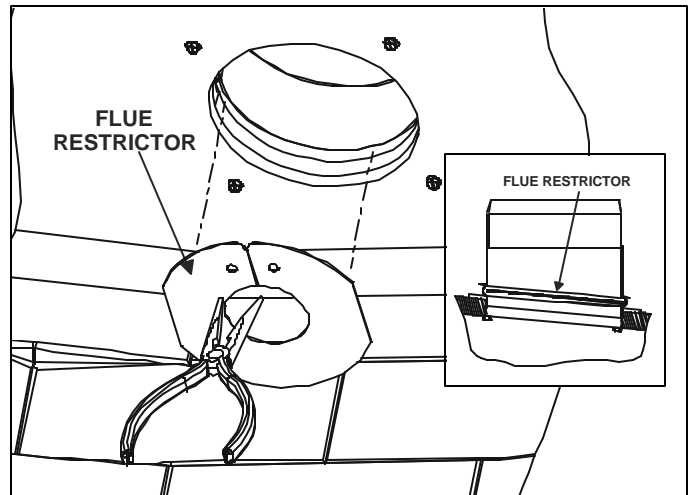
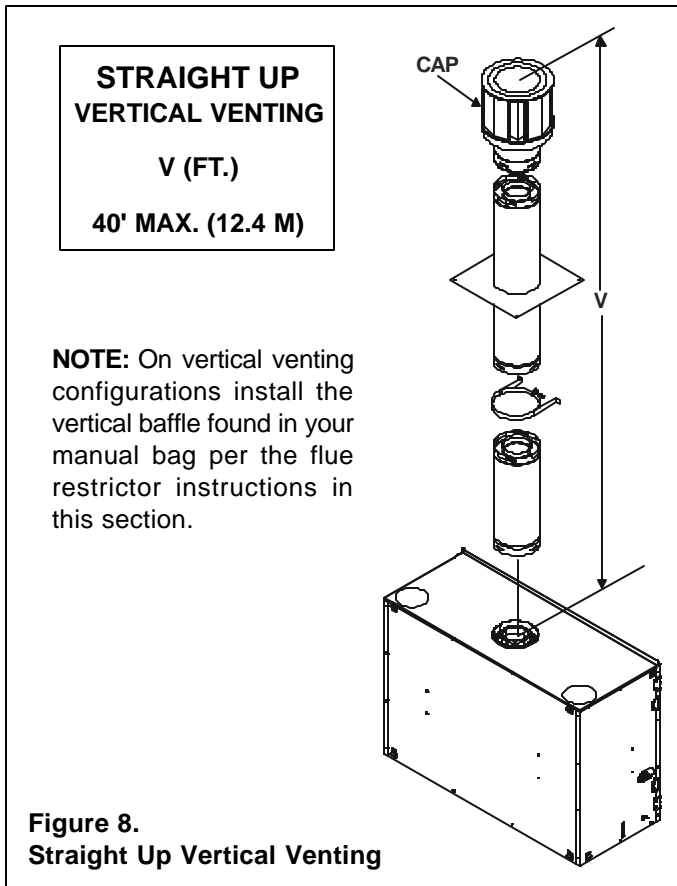


Figure 7. Vent System Components and Termination Kits

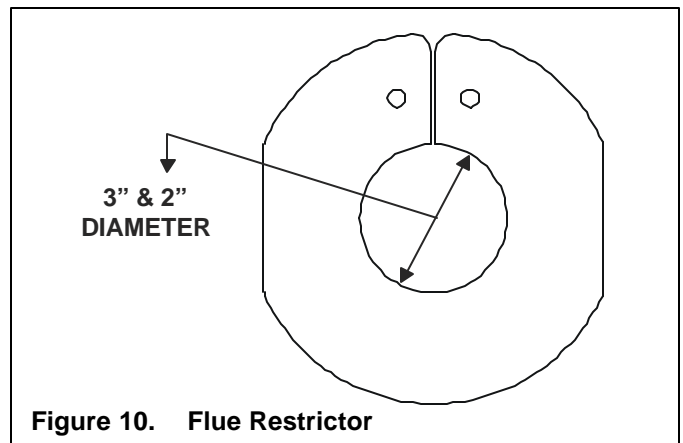


- The restrictor sits inside the 5" diameter collar in the bead area. Using a needle-nose pliers, insert the tips of the pliers into the two holes in the restrictor plate. Squeeze the pliers to flex the plate. The edges of the plate will need to overlap each other. Insert the plate into the 5" collar from inside the firebox. Release the pliers, the plate will expand into the bead (groove) inside the collar. Make sure the plate is fully in the groove so the restrictor cannot fall out (see Figure 9).

Flue Restrictor Instructions

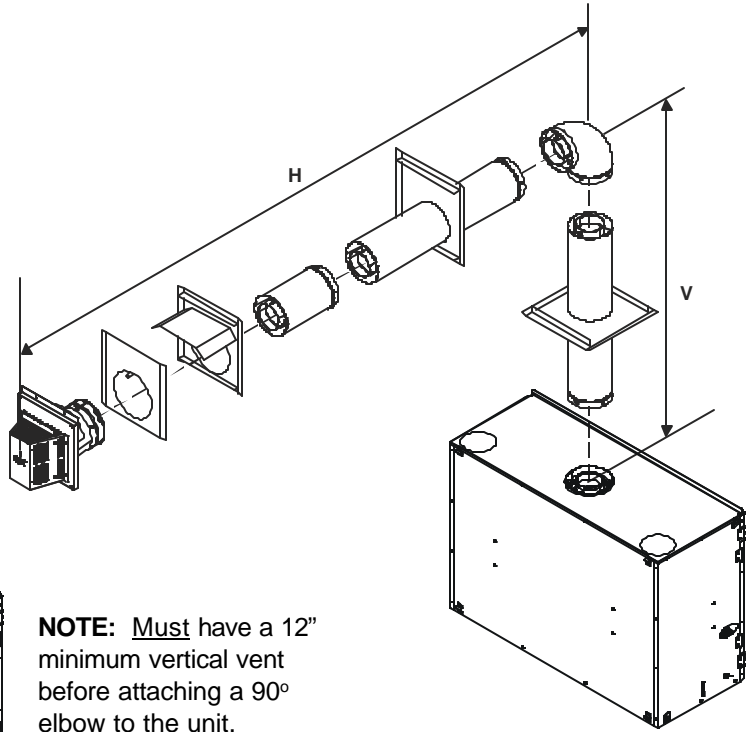
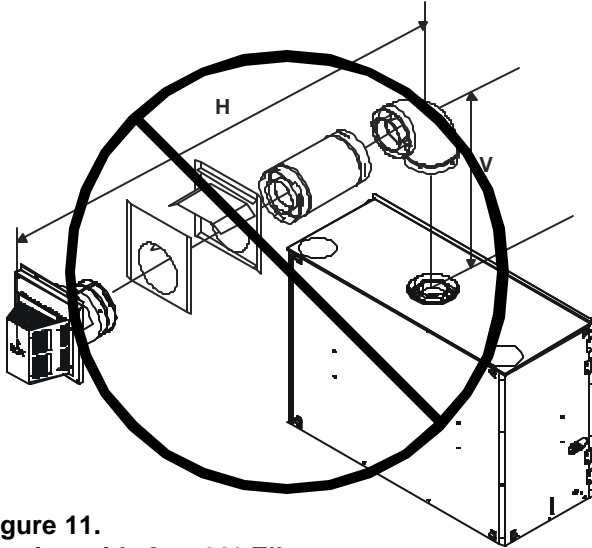
- The flue restrictors (Figure 10) are located behind the right side panel. There is one each of the 3" diameter and 2" diameter. Use the following table to determine which restrictor to use for the vent run.

Vent Run Vertical	10'-20'	20'-40'
NG	3"	2"
LP	3"	2"



VENTING WITH ONE (1) 90° ELBOW

V (FT.)	H (FT.)
1.5' MIN. (.457m)	2.5' MAX. (.762m)
2' MIN. (.609m)	3' MAX. (.912m)
2.5' MIN. (.762m)	6' MAX. (1.82m)
3.5' MIN. (1.06m)	9' MAX. (2.73m)
4.5' MIN. (1.37m)	12' MAX. (3.64m)
5.5' MIN. (1.67m)	15' MAX. (4.55m)
6.5' MIN. (1.98m)	18' MAX. (5.46m)
7.5' MIN. (2.28m)	21' MAX. (6.37m)
8.5' MIN. (2.59m)	24' MAX. (7.28m)
V = 40' MAX. (12.2m)	
V+H = 64' MAX. (19.5m) H = 24' MAX. (7.28m)	



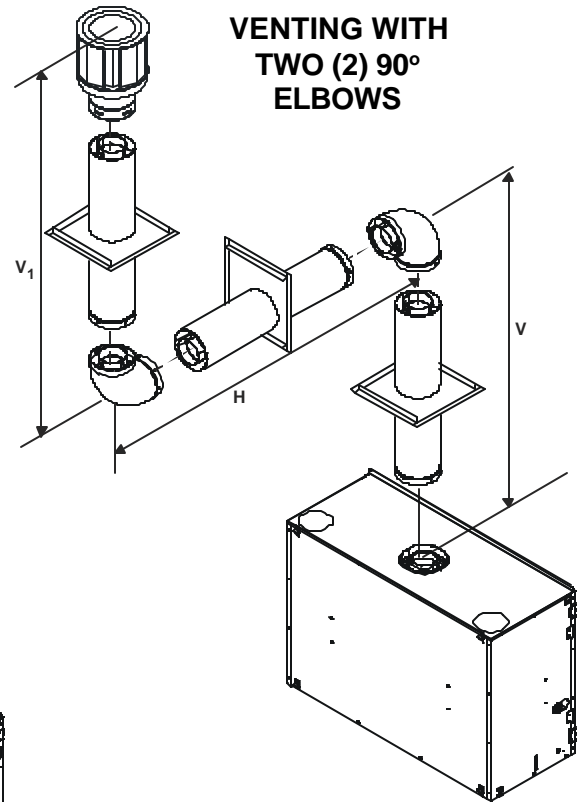
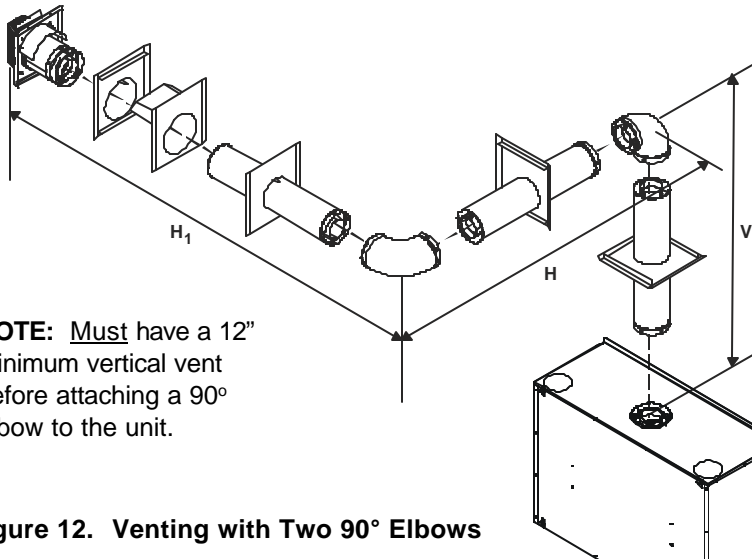
NOTE: Must have a 12" minimum vertical vent before attaching a 90° elbow to the unit.

Figure 11.
Venting with One 90° Elbow

V FT.	H + H ₁ (FT.)
1.5' MIN. (.457m)	2.5' MAX. (.762m)
2' MIN. (.609m)	3' MAX. (.912m)
2.5' MIN. (.762m)	6' MAX. (1.82m)
3.5' MIN. (1.06m)	9' MAX. (2.73m)
4.5' MIN. (1.37m)	12' MAX. (3.64m)

V+H+H₁ = 64' MAX.(19.5m) H+H₁ = 24' MAX. (7.3m)
 V+V₁+H = 64' MAX.(19.5m)

VENTING WITH TWO (2) 90° ELBOWS



NOTE: Must have a 12" minimum vertical vent before attaching a 90° elbow to the unit.

Figure 12. Venting with Two 90° Elbows

VENTING WITH THREE (3) 90° ELBOWS

V (FT.)	H (FT.)
1.5' MIN. (.457m)	2.5' MAX. (.762m)
2' MIN. (.609m)	3' MAX. (.912m)
2.5' MIN. (.762m)	6' MAX. (1.82m)
3.5' MIN. (1.06m)	9' MAX. (2.73m)
4.5' MIN. (1.37m)	12' MAX. (3.64m)

NOTE: $H + H_1 = 24'$ MAX. (7.28m)
 $V + V_1 + H + H_1 = 64'$ MAX. (19.5m)

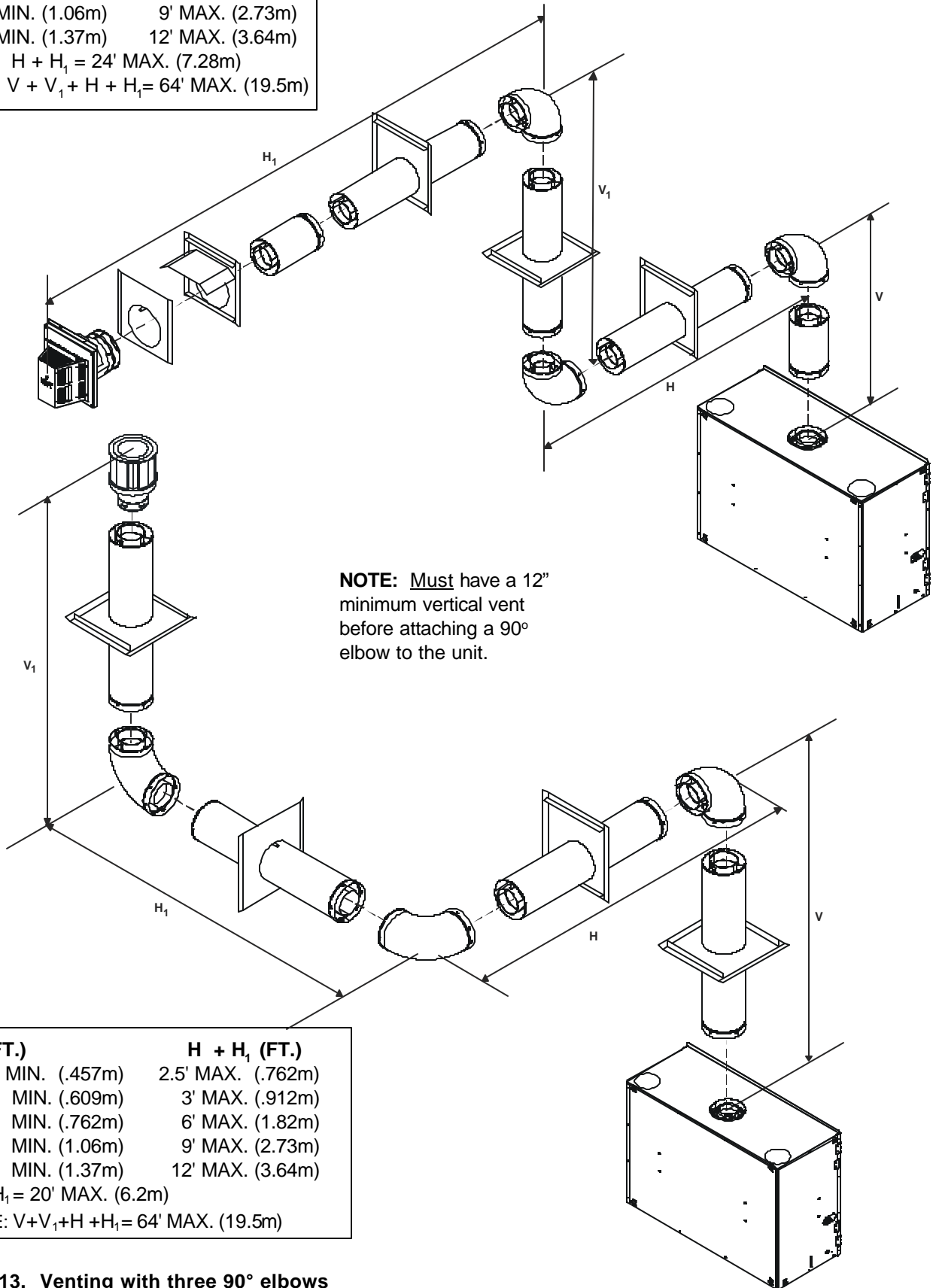


Figure 13. Venting with three 90° elbows

B. Installing Vent Components

Venting Out the Top Vent

The glass must be taken off again for positioning the logs when the unit is finally installed in place and finished around it. Re-install the glass door. Attach vent system to the top starting collars.

1. Attach the First Vent Component to the Starting Collars

To attach the first vent component to the starting collars of the fireplace:

Refer to Cinch Pipe (DVP) and Termination Cap installation instructions.

2. Continue Adding Vent Components

- Continue adding vent components snap-locking, locking each succeeding component into place.
- Ensure that each succeeding vent component is securely fitted and locked into the preceding component in the vent system. Securing pipe sections with a maximum of two screws is recommended.
- 90° elbows may be installed and rotated to any point around the preceding component's vertical axis. If an elbow does not end up in a locked position with the preceding component, attach with a minimum of two (2) sheet metal screws.

3. Install Support Brackets

Refer to Cinch Pipe and Termination Cap installation instructions.

4. Install Firestops

For Horizontal Runs - Firestops are **REQUIRED** on both sides of a combustible wall through which the vent passes.

NOTE: Model DVP-TRAP does not need an exterior firestop on an exterior combustible wall.

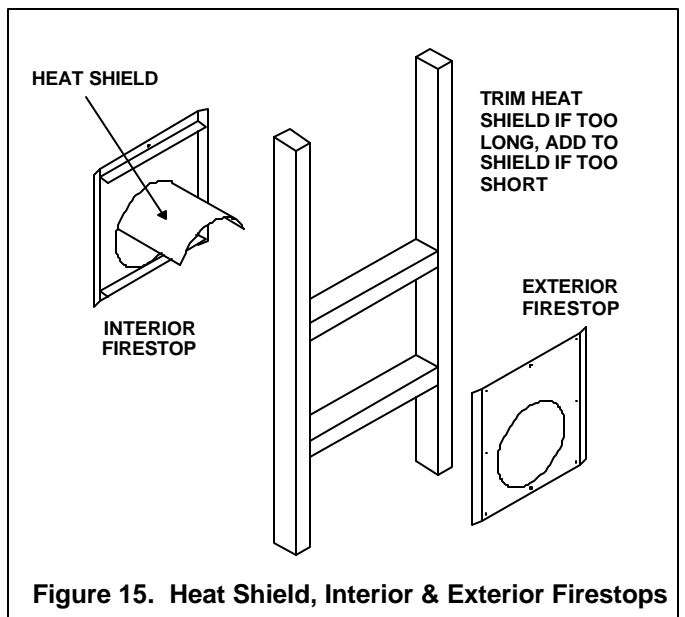
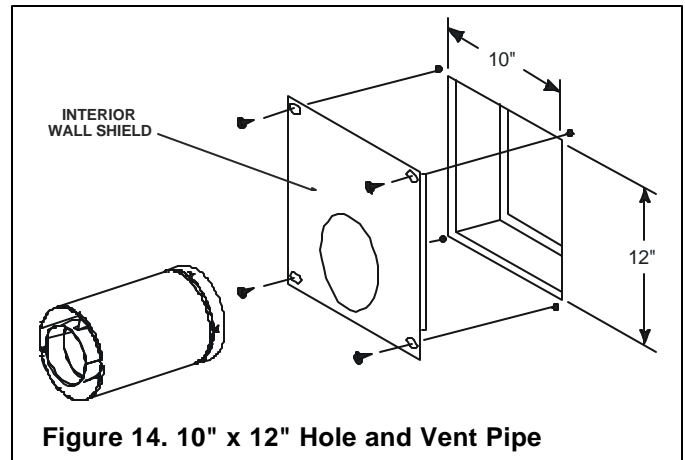
To install firestops for horizontal runs that pass through either interior or exterior walls:

- Cut a 10-inch by 12-inch (254mm X 305mm) hole through the wall.

NOTE: The center of the hole is one (1) inch (25.4mm) above the center of the horizontal vent pipe.

- Position the firestops on both sides of the hole previously cut and secure the firestops with nails or screws.
- The heat shields of the firestops **MUST BE** placed towards the top of the hole.
- Continue the vent run through the firestops.

NOTE: There must be NO INSULATION or other combustibles inside the framed firestop opening.



For Vertical Runs - One ceiling firestop is **REQUIRED** at the hole in each ceiling through which the vent passes.

To install firestops for vertical runs that pass through ceilings:

- Position a plumb bob directly over the center of the vertical vent component.
- Mark the ceiling to establish the centerpoint of the vent.
- Drill a hole or drive a nail through this centerpoint.
- Check the floor above for any obstructions, such as wiring or plumbing runs.
- Reposition the fireplace and vent system, if necessary, to accommodate the ceiling joists and/or obstructions.
- Cut an 10-inch X 10-inch (254mm X 254mm) hole through the ceiling, using the centerpoint previously marked.
- Frame the hole with framing lumber the same size as the ceiling joists.

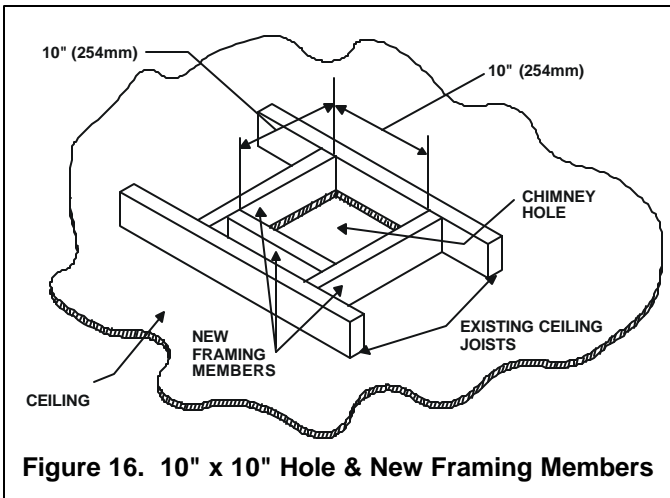


Figure 16. 10" x 10" Hole & New Framing Members

If the area above the ceiling is **NOT** an attic, position and secure the ceiling firestop on the ceiling side of the previously cut and framed hole.

NOTE: There must be NO INSULATION or other combustibles inside the framed firestop opening.

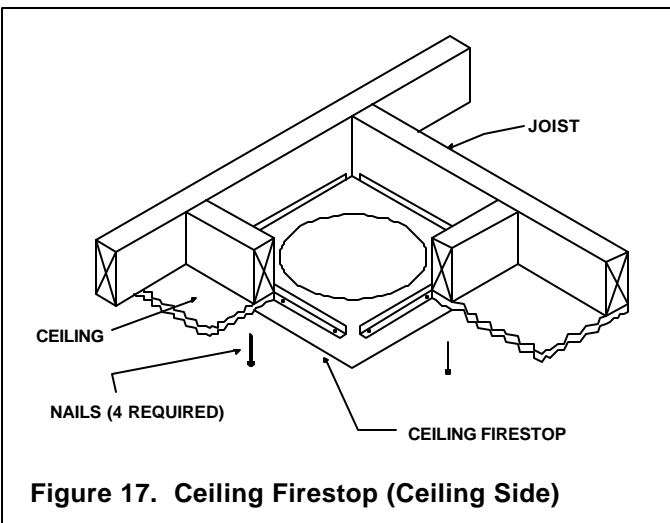


Figure 17. Ceiling Firestop (Ceiling Side)

If the area above the ceiling **IS** an attic, position and secure the firestop on top of the previously framed hole.

NOTE: Keep insulation away from the vent pipe at least 1 inch (25mm).

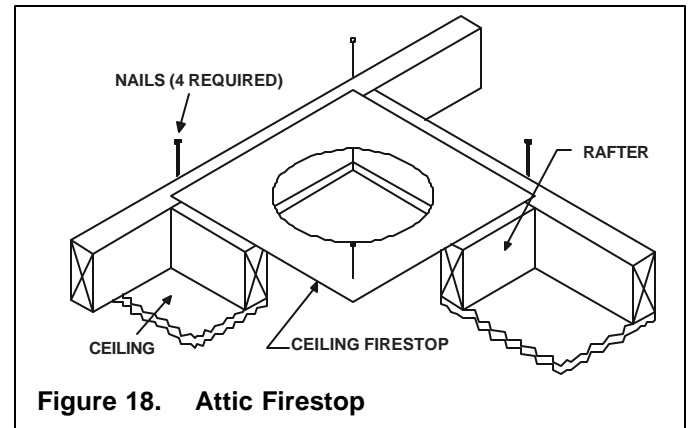


Figure 18. Attic Firestop

C. Vent Termination

For Horizontal Terminations - To attach and secure the termination to the last section of horizontal vent refer to the Cinch Pipe and Termination Cap installation instructions.

- Push and snap-lock the ends as described at the beginning of the Installing Vent Components section.
- The termination kit should pass through the wall firestops from the exterior of the building.
- Adjust the termination cap to its final exterior position on the building.

WARNING: THE TERMINATION CAP MUST BE POSITIONED SO THAT THE ARROW IS POINTING UP.

For trapezoidal cap termination kits:

- Using screws secure the cap to the exterior wall through the flanges in the cap.

WARNING: VENTING TERMINALS SHALL NOT BE RECESSED INTO A WALL OR SIDING. VENT TERMINATION CLEARANCES MUST BE FOLLOWED TO AVOID FIRE DANGER. SEE VENT TERMINATION MINIMUM CLEARANCES DIAGRAM ON NEXT PAGE.

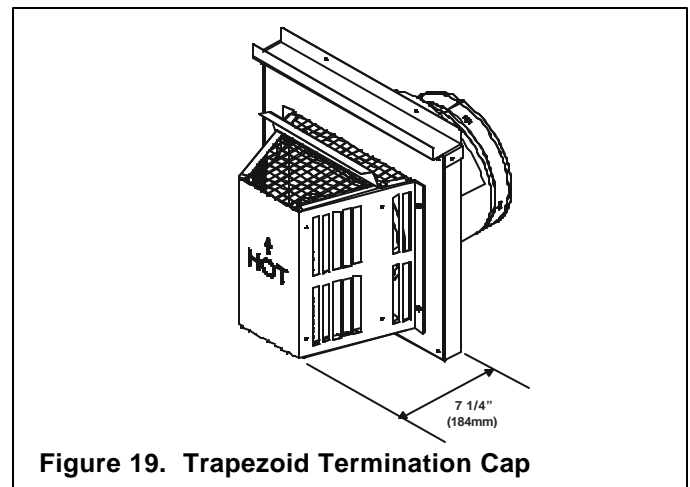
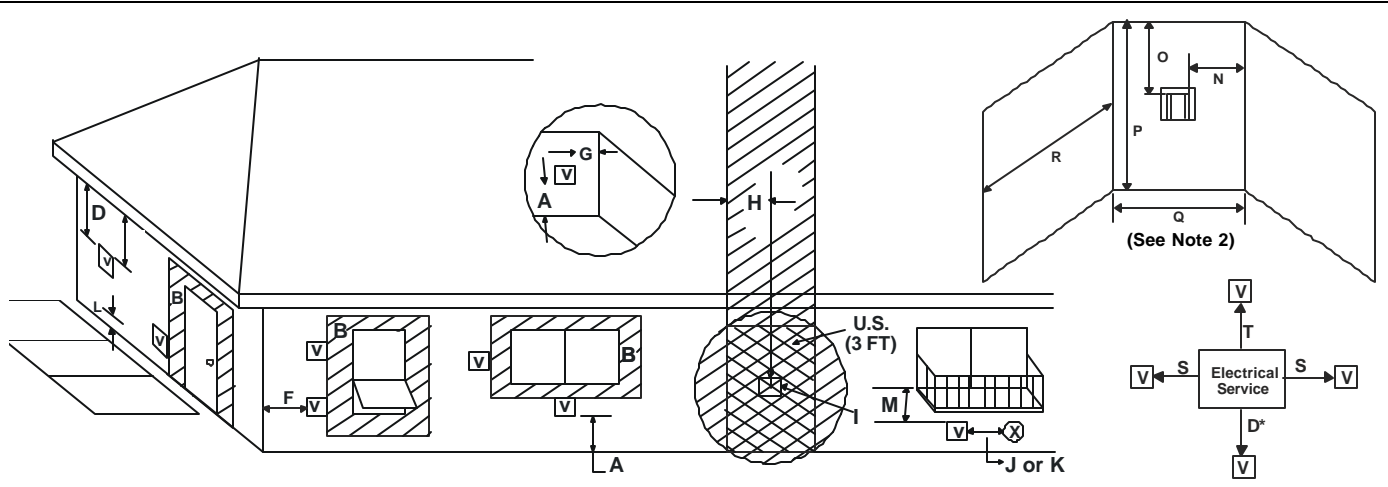


Figure 19. Trapezoid Termination Cap



V = VENT TERMINAL **(X)** = AIR SUPPLY INLET **[Hatched]** = AREA WHERE TERMINAL IS NOT PERMITTED

- | | |
|--|---|
| <p>A = 12" clearances above grade, veranda, porch, deck or balcony
(See Note 1)</p> <p>B = 12" clearances to window or door that may be opened, or to permanently closed window.</p> <p>D* = 22" vertical clearance to unventilated soffit or to ventilated soffit located above the terminal
*30" min. for vinyl clad soffits and below electrical service</p> <p>F = 9" clearance to outside corner</p> <p>G = 6" clearance to inside corner</p> <p>H = 3 ft. (Canada) not to be installed above a gas meter/regulator assembly within 3 feet (90cm) horizontally from the center-line of the regulator</p> <p>I = 3 ft. (U.S.A.)
6 ft. (Canada) clearance to gas service regulator vent outlet</p> <p>J = 9" (U.S.A.)
12" (Canada) clearance to non-mechanical air supply inlet to building or the combustion air inlet to any other appliance</p> | <p>K = 3 ft. (U.S.A.)
6 ft. (Canada) clearance to a mechanical air supply inlet</p> <p>L** = 7 ft. clearance above paved sidewalk or a paved driveway located on public property
(See Note 1)</p> <p>M*** = 18" clearance under veranda, porch, deck or balcony</p> <p>N = 6" non-vinyl sidewalls
12" vinyl sidewalls</p> <p>O = 18" non-vinyl soffit and overhang
42" vinyl soffit and overhang</p> <p>P = 8 ft.</p> |
|--|---|
-
- | | Q_{MIN} | R_{MAX} |
|--|------------------------|---------------------------|
| 1 cap | 3 feet | 2 x Q _{ACTUAL} |
| 2 caps | 6 feet | 1 x Q _{ACTUAL} |
| 3 caps | 9 feet | 2/3 x Q _{ACTUAL} |
| 4 caps | 12 feet | 1/2 x Q _{ACTUAL} |
| $Q_{MIN} = \# \text{ termination caps} \times 3$ $R_{MAX} = (2 / \# \text{ termination caps}) \times Q_{ACTUAL}$ | | |
-
- | |
|--|
| <p>S = 6" MIN. clearance from sides of electrical service
(See Note 5)</p> <p>T = 12" MIN. clearance above electrical service
(See Note 5)</p> |
|--|

** a vent shall not terminate directly above a sidewalk or paved driveway which is located between two single family dwellings and serves both dwellings.

*** only permitted if veranda, porch, deck or balcony is fully open on a minimum of 2 sides beneath the floor.

NOTE 1: On private property where termination is less than 7 feet above a sidewalk, driveway, deck, porch, veranda or balcony, use of a listed cap shield is suggested.

NOTE 2: Termination in an alcove space (spaces open only on one side and with an overhang) are permitted with the dimensions specified for vinyl or non-vinyl siding and soffits. **1.** There must be 3 feet minimum between termination caps. **2.** All mechanical air intakes within 10 feet of a termination cap must be a minimum of 3 feet below the termination cap. **3.** All gravity air intakes within 3 feet of a termination cap must be a minimum of 1 foot below the termination cap.

NOTE 3 Local codes or regulations may require different clearances.

NOTE 4: Termination caps may be hot. Consider their proximity to doors or other traffic areas.

NOTE 5: Location of the vent termination must not interfere with access to the electrical service.

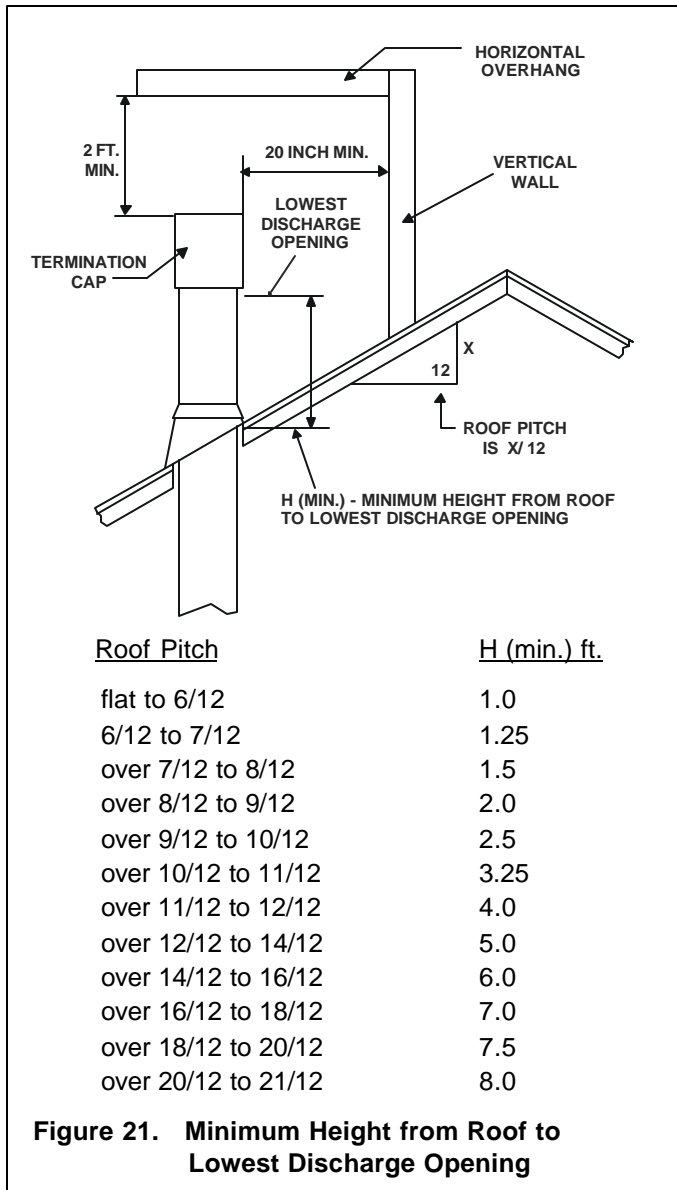
WARNING: In the U.S: Vent system termination is **NOT** permitted in screened porches. You must follow side wall, overhang and ground clearances as stated in the instructions.

In Canada: Vent system termination is **NOT** permitted in screened porches. Vent system termination is permitted in porch areas with two or more sides open. You must follow all side walls, overhang and ground clearances as stated in the instructions.

Heat-N-Glo assumes no responsibility for the improper performance of the fireplace when the venting system does not meet these requirements.

Figure 20. Vent Termination Minimum Clearances

CAUTION: IF EXTERIOR WALLS ARE FINISHED WITH VINYL SIDING, IT IS SUGGESTED THAT A VINYL PROTECTOR KIT BE INSTALLED.



For Vertical Terminations - To locate the vent and install the vent sections:

- Locate and mark the vent centerpoint on the underside of the roof, and drive a nail through the centerpoint.
- Make the outline of the roof hole around the centerpoint nail.
- The size of the roof hole framing dimensions depend on the pitch of the roof. There **MUST BE** a 1-inch (25.4mm) clearance from the vertical vent pipe to combustible materials.
- Mark the roof hole accordingly.
- Cover the opening of the installed vent pipes.
- Cut and frame the roof hole.
- Use framing lumber the same size as the roof rafters and install the frame securely. Flashing anchored to the frame must withstand heavy winds.
- Continue to install concentric vent sections up through the roof hole (for inside vent installations) or up past the roof line until you reach the appropriate distance above the roof (for outside terminations).



WARNING: MAJOR U.S. BUILDING CODES SPECIFY MINIMUM CHIMNEY AND/OR VENT HEIGHT ABOVE THE ROOF TOP. THESE MINIMUM HEIGHTS ARE NECESSARY IN THE INTEREST OF SAFETY. SEE THE PREVIOUS DIAGRAM FOR MINIMUM HEIGHTS, PROVIDED THE TERMINATION CAP IS AT LEAST 20 INCHES FROM A VERTICAL WALL AND 2-FEET BELOW A HORIZONTAL OVERHANG.

NOTE: This also pertains to vertical vent systems installed on the outside of the building.

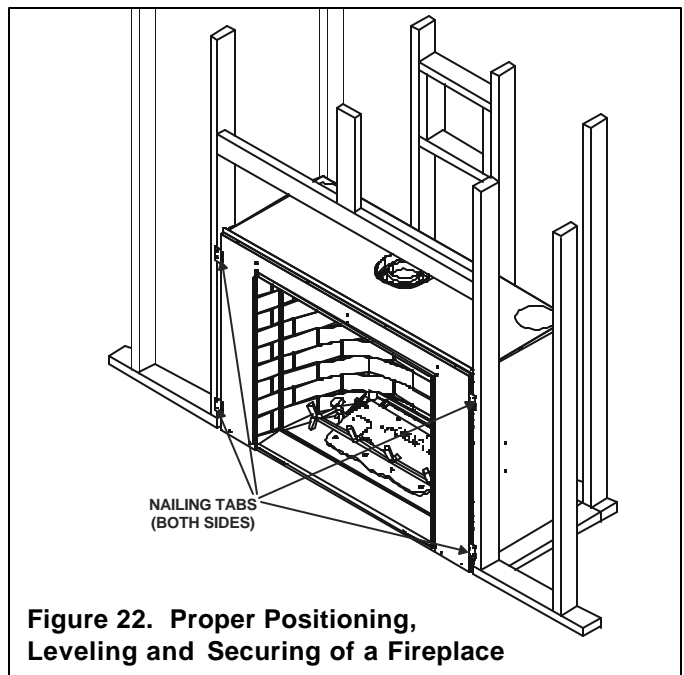
To seal the roof hole, and to divert rain and snow from the vent system:

- Attach a flashing to the roof using nails, and use a non-hardening mastic around the edges of the flashing base where it meets the roof.
- Attach a storm collar over the flashing joint to form a water-tight seal. Place non-hardening mastic around the joint, between the storm collar and the vertical pipe.
- Slide the termination cap over the end of the vent pipe and snap into place.

Step 4. Positioning, Leveling and Securing the Fireplace

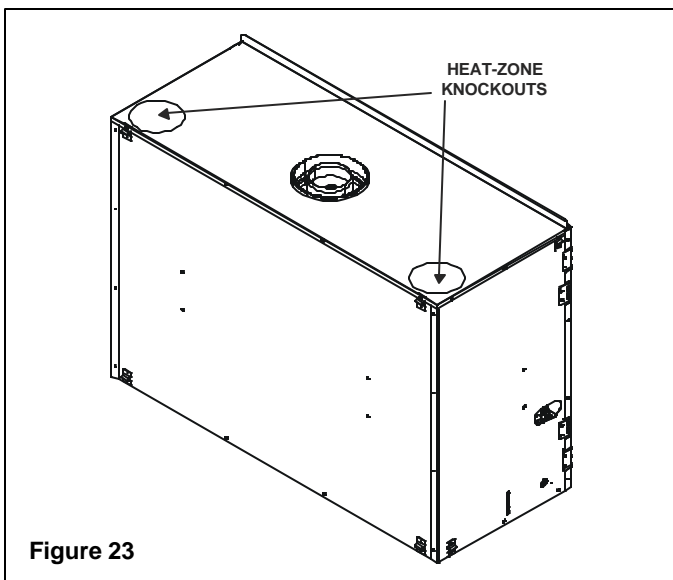
The diagram below shows how to properly position, level, and secure the fireplace.

You must decide on the face finish method and use the appropriate nailing tabs to secure the fireplace. See 'Step 10, Face Finishing' section.



- Place the fireplace into position.
- Level the fireplace from side to side and front to back.
- Shim the fireplace with non-combustible material, such as sheet metal, as necessary.
- Secure the fireplace to the framing by nailing or screwing.

Step 5. Installing the Optional Heat-Zone Kit



Heat-Zone Kit

1. Remove the knockout from the top of the fireplace and discard it (see Figure 23).
2. Center the duct collar around the exposed hole and attach it to the fireplace with 3 screws. **NOTE:** Do this **BEFORE** final positioning of the fireplace.
3. Determine the location for the air register/fan housing assembly.

Reference the Heat-Zone kit instructions for the remaining installations steps.

Step 6 The Gas Control System



WARNING: THIS UNIT IS NOT FOR USE WITH SOLID FUEL.

The type of gas control system used with this model is *Intermittent Pilot Ignition*.

Intermittent Pilot Ignition System

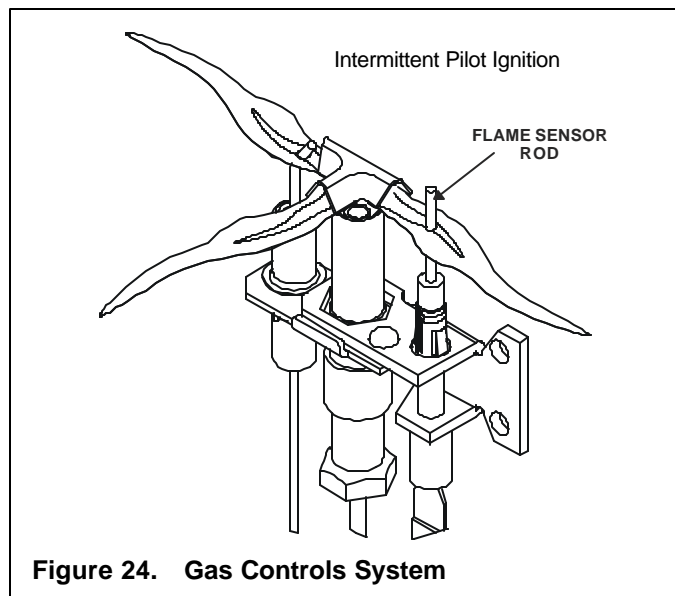
This system includes millivolt control valve, standing pilot, thermopile/thermocouple flame sensor, and piezo ignitor.



WARNING: 110-120 VAC MUST NEVER BE CONNECTED TO A CONTROL VALVE IN A MILLIVOLT SYSTEM.



WARNING: CONTINUOUS 110-120 VAC SERVICE MUST BE WIRED DIRECTLY TO THE FIREPLACE JUNCTION BOX.



Step 7. The Gas Supply Line

NOTE: Have the gas supply line installed in accordance with local building codes by a qualified installer approved and/or licensed as required by the locality. (In the Commonwealth of Massachusetts installation must be performed by a licensed plumber or gas fitter).

NOTE: Before the first firing of the fireplace, the gas supply line should be purged of any trapped air.

NOTE: Consult local building codes to properly size the gas supply line leading to the 1/2 inch (13mm) hook-up at the unit.

This gas fireplace is designed to accept a 1/2 inch (13 mm) gas supply line. To install the gas supply line:

- A listed (and Commonwealth of Massachusetts approved) 1/2 inch (13mm) tee-handle manual shut-off valve and a listed flexible gas connector are connected to the 1/2 inch (13mm) inlet of the control valve. **NOTE:** If substituting for these components, please consult local codes for compliance.
- Locate the gas line access hole in the outer left-side casing of the fireplace.
- Insert the gas line through the access hole. Position the ball valve on the flex line to line up with the gas line. Attach the gas line.
- When attaching the pipe, support the control so that the lines are not bent or torn.
- After the gas line installation is complete, use a soap solution to carefully check all gas connections for leaks.



WARNING: DO NOT USE AN OPEN FLAME TO CHECK FOR GAS LEAKS.

- At the gas line access hole, use insulation to re-pack the space around the gas pipe.
- Insert insulation from the outside of the fireplace and pack the insulation tightly to totally seal between the pipe and the outer casing.

Step 8. Gas Pressure Requirements

Pressure requirements for Heat-N-Glo gas fireplaces are shown in the table below.

Pressure	Natural Gas	Propane
Minimum Inlet Pressure	5.0 inches w.c.	11.0 inches w.c.
Maximum Inlet Gas Pressure	14.0 inches w.c.	14.0 inches w.c.
Manifold Pressure	3.5 inches w.c.	10.0 inches w.c.

A one-eighth (1/8) inch (3 mm) N.P.T. plugged tapping is provided on the inlet and outlet side of the gas control for a test gauge connection to measure the manifold pressure. Use a small flat blade screwdriver to crack open the screw in the center of the tap. Position a rubber hose over the tap to obtain the pressure reading.

The fireplace and its individual shut-off valve must be disconnected from the gas supply piping system during any pressure testing of the system at test pressures in excess of one-half (1/2) psig (3.5 kPa).

The fireplace must be isolated from the gas supply piping system by closing its individual shut-off valve during any pressure testing of the gas supply piping system at test pressures equal to or less than one-half (1/2) psig (3.5 kPa).

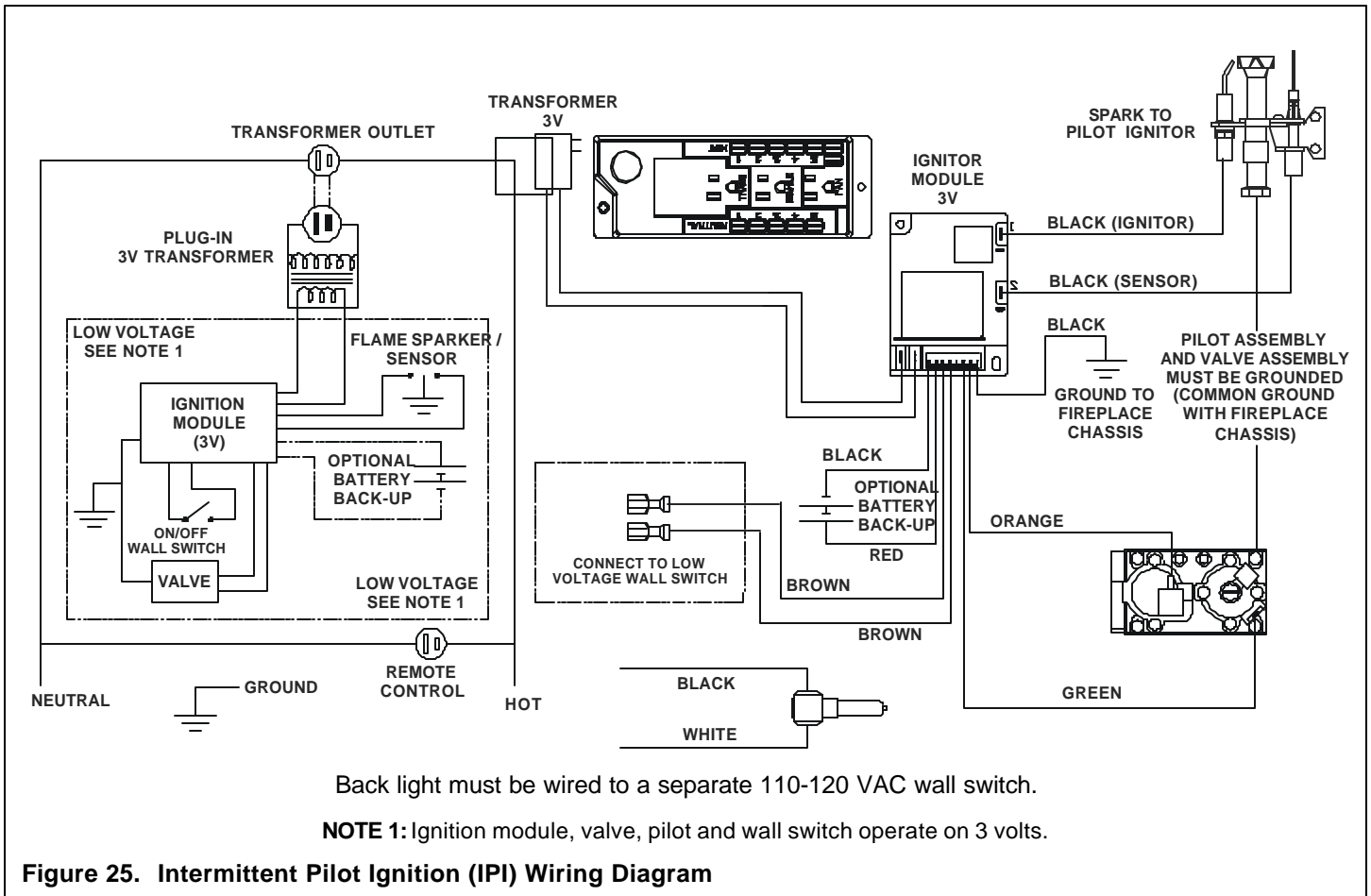


Figure 25. Intermittent Pilot Ignition (IPI) Wiring Diagram

Step 9. Wiring the Fireplace

Intermittent Pilot Ignition (IPI) Wiring

3 Volt Transformer

This appliance comes with a 3 volt transformer found in the manual bag. Plug the transformer leads to the green control module (see Figure 25). Then plug the transformer into the "Trans" outlet on the junction box.

Appliance Requirements

This appliance requires that 110-120 VAC be wired to the factory installed junction box. Maintain correct polarity when wiring the junction box.



WARNING: DO NOT CONNECT 110-120 VAC TO THE GAS CONTROL VALVE OR THE APPLIANCE WILL MALFUNCTION AND THE VALVE WILL BE DESTROYED.

Optional Accessories

Optional remote control kits require that 110-120 VAC be wired to the factory installed junction box before the fireplace is permanently installed.

Heat-Zone kits are approved with this fireplace as heat management accessories.

Multi-function wall switch (WSK-MLT) requires the PLUG-ADP kit. Attach the black and white light wires to the plug with two 1/4" electrical connectors. Plug the light into the "AUX" cord on the WSK-MLT.

Wall Switch

You must use two wall switches with this unit. Position the wall switch in the desired position on a wall. Run a maximum of 25 feet (7.8 m) or less length of 18 A.W.G. minimum wire and connect it to the fireplace ON/OFF brown switch wires.



WARNING: DO NOT CONNECT 110-120 VAC TO THE WALL SWITCH OR THE CONTROL VALVE WILL BE DESTROYED.

Wiring the Light

The light operates on 110-120 VAC. Position the wall switch in the desired position on the wall. Connect 14 AWG minimum wire to the black and white wires in the unit.

CAUTION: LABEL ALL WIRES PRIOR TO DISCONNECTION WHEN SERVICING CONTROLS. WIRING ERRORS CAN CAUSE IMPROPER AND DANGEROUS OPERATION. VERIFY PROPER OPERATION AFTER SERVICING.

Step 10. Finishing

Figure 26 shows the minimum vertical and corresponding maximum horizontal dimensions of fireplace mantels or other combustible projections above the opening edge of the fireplace. See Figures 2 and 3 for other fireplace clearances.

Only non-combustible materials may be used to cover the fireplace front.

WARNING: WHEN FINISHING THE FIREPLACE, NEVER OBSTRUCT OR MODIFY THE AIR INLET/OUTLET GRILLES IN ANY MANNER.

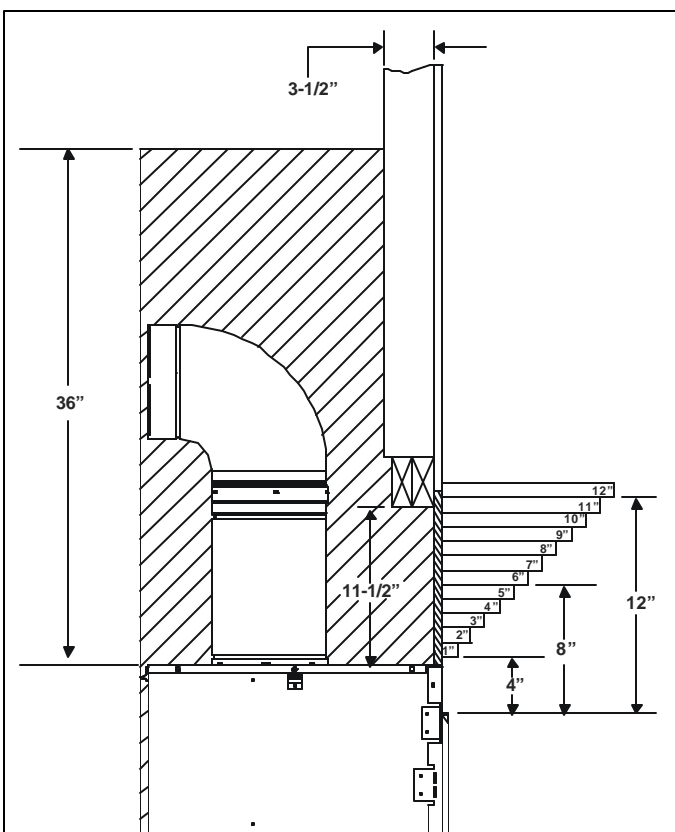


Figure 26.
Minimum Vertical and Maximum Horizontal Dimensions of Combustibles above Fireplace

Height above opening	Horizontal Mantle distance
4"	1"
5"	2-1/4"
6"	3-1/2"
7"	4-3/4"
8"	6"
9"	7-1/2"
10"	9"
11"	10-1/2"
12"	12"

CAUTION: IF JOINTS BETWEEN THE FINISHED WALLS AND THE FIREPLACE SURROUND (TOP AND SIDES) ARE SEALED, A 300° F. MINIMUM SEALANT MATERIAL MUST BE USED. THESE JOINTS ARE NOT REQUIRED TO BE SEALED. ONLY NON-COMBUSTIBLE MATERIAL (USING 300° F. MINIMUM ADHESIVE, IF NEEDED) CAN BE APPLIED AS FACING TO THE FIREPLACE SURROUND. SEE THE DIAGRAM BELOW.

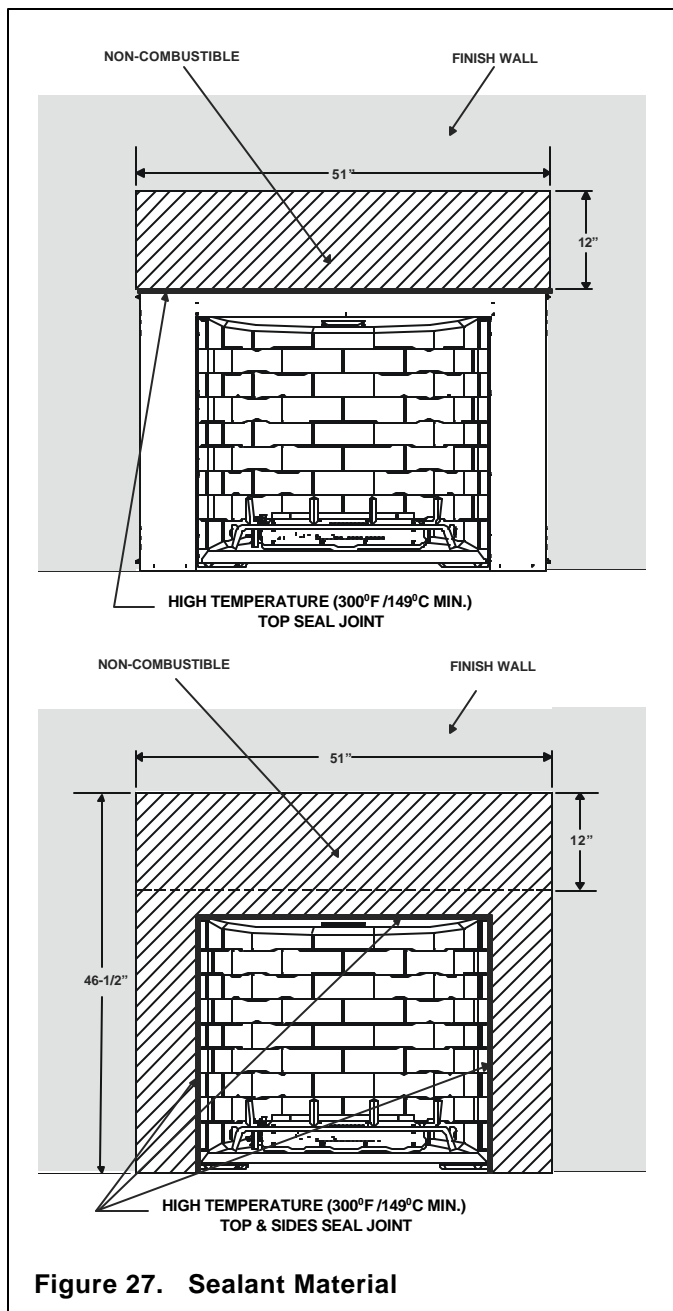


Figure 27. Sealant Material

WARNING: A 12" minimum hearth extension is required to protect combustible floor construction in front of the fireplace in certain installations. This hearth must be constructed of non-combustible material and extend the width of the fireplace (see Figures 4 and 5).

Facing Requirements

When finishing the front of the fireplace, combustible material must never overlap into the face of the unit.

There are two different ways the unit can be set and finished. Figure 28 shows the fireplace face flush with the wall covering material. In this case a 12" piece of non-combustible material must be placed above the fireplace, see Figure 27 (top). Use the nailing tabs that are set back 1/2".

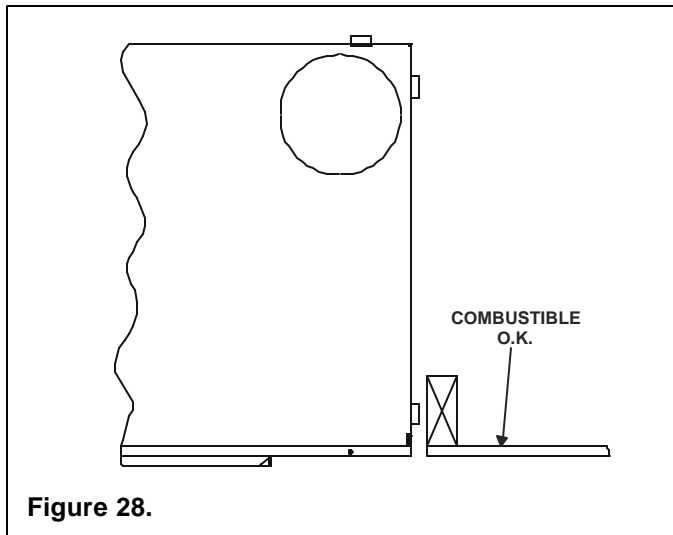


Figure 28.

The second way the fireplace can be set and finished is to cover the entire face of the fireplace with non-combustible material, see Figure 27 (bottom). In this case the fireplace is set flush with the stud, see Figure 29. Use the forward set of nailing tabs.

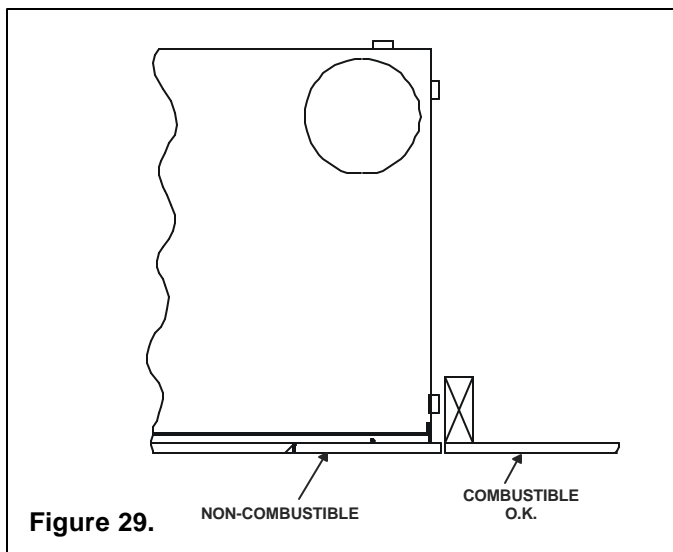


Figure 29.

No matter what method is used, the finishing material must NEVER pass the 1/2" metal edge around the opening and overhang into the glass opening.



WARNING: FACING AND/OR FINISHING MATERIAL MUST NEVER OVERHANG INTO THE GLASS OPENING.

Step 11. Positioning the Logs, and Placing the Ember Material

Positioning the Logs

If the gas logs have been factory installed they should not need to be positioned. If the logs have been packaged separately, refer to the instructions that accompany the logs. **Save the log instructions with this manual.**

If sooting occurs, the logs might need to be repositioned slightly to avoid excessive flame impingement.

Placing the Ember Material

Ember material is shipped with this gas fireplace. To place the ember material:

- Remove the ash lip that is located in front of the glass.
- Remove the side panels that are located in front of the glass.
- Remove the pull mesh firescreen by unhooking from the fireplace.
- Pull and release the four glass latches (2 per side) located on the sides of the glass frame.
- Grasping the upper lip with one hand and the lower lip with the other, pull the bottom of the glass out first. Guide the bottom while letting the top drop down under the top of the opening (see Figure 30).

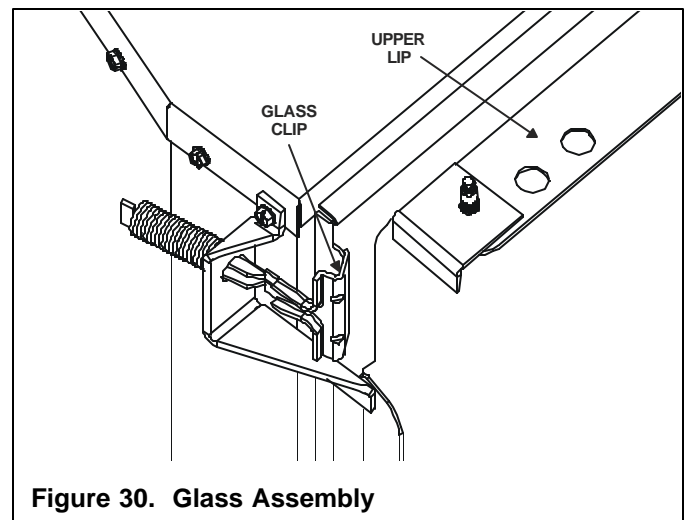


Figure 30. Glass Assembly

Glass Specifications: ESCAPE-36DV: CERAMIC

- There are two types of ember shipped with the unit. Platinum Embers for the burner surface and Mystic Embers for the floor of the unit.
- Do NOT place Platinum Embers between log #3 and log #4. They may disrupt the flames and are not visible.
- Place Mystic Embers on the floor of the unit. Use the Mystic Embers to hide the pilot wires on the left side of the burner.
- Save the remaining ember materials for use during fireplace servicing.
- Replace the glass firescreen and door front trim on the unit.

Step 12. Before Lighting the Fireplace

Before lighting the fireplace, be sure to do the following:

Remove all paperwork from underneath the fireplace.

Review safety warnings and cautions

- Read the **Safety and Warning Information** section at the beginning of this *Installers Guide*.

Double-check for gas leaks

- Before lighting the fireplace, double-check the unit for possible gas leaks.

Double-check vent terminations and front grilles for obstructions.

- Before lighting the fireplace, double-check the unit for possible obstructions that could be blocking the vent terminations or the front grilles.

Double-check for faulty components

- Any component that is found to be faulty **MUST BE** replaced with an approved component. Tampering with the fireplace components is **DANGEROUS** and voids all warranties.

A small amount of air will be in the gas supply lines. When first lighting the fireplace, it will take a few minutes for the lines to purge themselves of this air. Once the purging is complete, the fireplace will light and will operate normally.

Subsequent lightings of the fireplace will not require this purging of air from the gas supply lines, **unless the gas valve has been turned to the OFF position**, in which case the air would have to be purged.

NOTE: The fireplace should be run 3 to 4 hours on the initial start-up. Turn it off and let it cool completely. Remove and clean the glass. Replace the glass and run the fireplace for an additional 8 hours. This will help to cure the products used in the paint and logs.

During this break-in period it is recommended that some windows in the house be opened for air circulation. This will help avoid setting off smoke detectors, and help eliminate any odors associated with the fireplace's initial burning.

Step 13. Lighting the Fireplace

You've reviewed all safety warnings, you've checked the fireplace for gas leaks, you know the vent system is unobstructed, and you've checked for faulty components. Now you're ready to light the fireplace.



WARNING: PLEASE REFER TO THE USER'S MANUAL FOR ALL CAUTIONS, SAFETY, AND WARNING INFORMATION PERTAINING TO THE LIGHTING AND OPERATION OF THE FIREPLACE.

After the Installation



LEAVE THIS INSTALLATION MANUAL WITH THE APPLIANCE FOR FUTURE REFERENCE.

4

Maintaining and Servicing Your Fireplace

Fireplace Maintenance

Although the frequency of your fireplace servicing and maintenance will depend on use and the type of installation, you should have a qualified service technician perform an appliance check-up at the beginning of each heating season. See the table below for specific guidelines regarding each fireplace maintenance task.

IMPORTANT: TURN OFF THE GAS BEFORE SERVICING YOUR FIREPLACE.

Replacing old ember material

Frequency: Once annually, during the checkup.

By: Qualified service technician.

Task: Brush away loose ember material near the burner. Replace old ember material with new dime-size and shape pieces. Save the remaining ember material and repeat this procedure at your next servicing. For more information, see **Placing the Ember Material**.

Cleaning Burner and Controls

Frequency: Once annually.

By: Qualified service technician.

Task: Brush or vacuum the control compartment, fireplace logs and burner areas surrounding the logs.

Cleaning Flame Sensor Rod (IPI Systems)

Frequency: Annually.

By: Qualified service technician.

Task: Make a visual check of the straight flame sensor rod (see Figure 24). Use emery cloth to carefully remove any existing film or white deposits.

Checking Flame Patterns, Flame Height

Frequency: Periodically.

By: Qualified service technician/Home owner.

Task: Make a visual check of your fireplace's flame patterns. Make sure the flames are steady - not lifting or floating. The thermopile/thermocouple tips should be covered with flame. See Figure 24.

Checking Vent System

Frequency: Before initial use and at least annually thereafter, more frequently if possible.

By: Qualified service technician/Home owner.

Task: Inspect the external vent cap on a regular basis to ensure that no debris is interfering with the flow of air. Inspect entire vent system for proper function.

Cleaning Glass Door

Frequency: After the first 3 to 4 hours of use. As necessary after initial cleaning.

By: Home owner.

Task: Remove and clean glass after the first 3 to 4 hours of use. After the initial cleaning, clean as necessary, particularly after adding new ember (flame colorant) material. Film deposits on the inside of the glass door should be cleaned off using a household glass cleaner. **NOTE: DO NOT handle or attempt to clean the door when it is hot and DO NOT use abrasive cleaners.**

Replacing Light Bulb

Frequency: Varies by use, when bulb burns out.

By: Qualified service technician

Task: Remove the front and glass by following the "Placing the Embers Material" section. Remove the logs, grate, burner (see Figure 31) and slide the orange lens aside. Replace the bulb with a 75 watt or less halogen. Reinstall the burner. Follow all steps in the log placement instructions. Make sure the burner is seated onto the orifice.

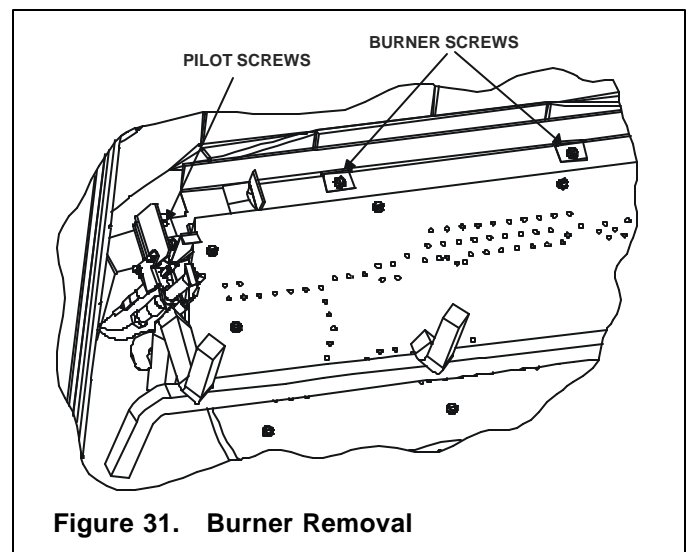


Figure 31. Burner Removal

Free Manuals Download Website

<http://myh66.com>

<http://usermanuals.us>

<http://www.somanuals.com>

<http://www.4manuals.cc>

<http://www.manual-lib.com>

<http://www.404manual.com>

<http://www.luxmanual.com>

<http://aubethermostatmanual.com>

Golf course search by state

<http://golfingnear.com>

Email search by domain

<http://emailbydomain.com>

Auto manuals search

<http://auto.somanuals.com>

TV manuals search

<http://tv.somanuals.com>