

Beacon Tower

313542D

ENG

**Diagnostic indicator for use with ProMix[®] 2KS and ProMix 2KE Proportioner.
For professional use only.**

Not for use in explosive atmospheres.



Important Safety Instructions

Read all warnings and instructions in your proportioner installation, operation, and repair manuals.
Save these instructions.

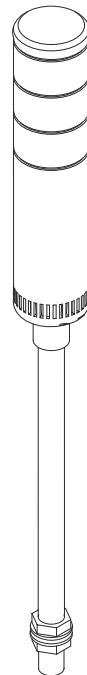
Part No. 122193 Beacon Tower

Includes beacon tower only.

Part No. 15W034 Beacon Tower Kit

Includes beacon tower, cable, connectors, and mounting hardware.

**122193 Beacon
Tower Shown**

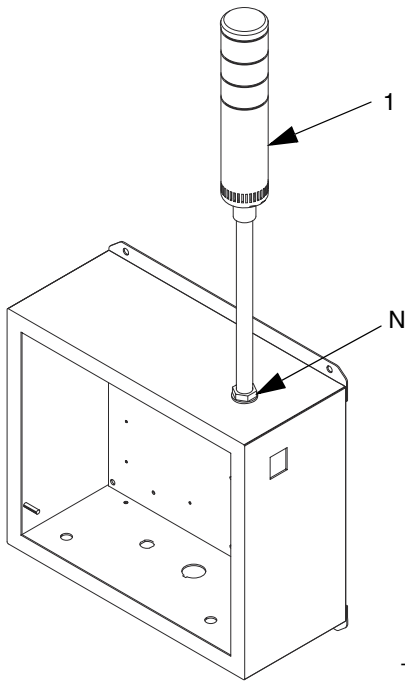


T114039a

15W034 Beacon Tower Kit Installation

NOTE: Kit 15W034 is for ProMix 2KS manual systems.

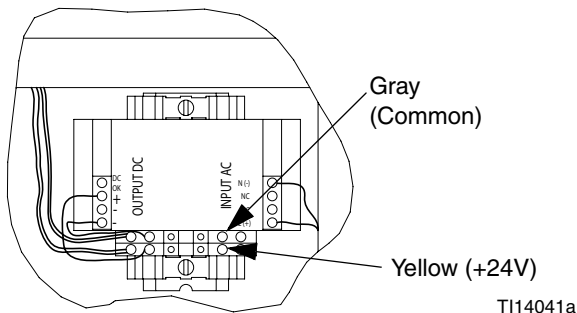
1. Remove the 3/4 in. (19 mm) knockout on top of the EasyKey. Feed the wires through the hole and secure the beacon (1) with jam nuts (N) on the inside and outside of the box. See FIG. 1.



TI14040a

FIG. 1: Install Beacon on EasyKey™

2. See FIG. 4. Install the din rail (7) with two screws (8). Install the header (5) on the din rail and connect the cable (4) to J5 on the EasyKey display board.
3. Connect yellow and gray wires from beacon to the power terminal. See FIG. 2.



TI14041a

FIG. 2: Power Terminal Connections

4. Connect orange, brown, and red wires to header (5) pins 3, 4, and 5. See FIG. 6 on page 6.
5. To enable the optional audible alarm, connect sky blue wire to pin 3 on header (5). See FIG. 6 on page 6. When enabled, it will sound for all system alarms.
6. When beacon wiring is completed, insulate the end of each unused lead wire with insulation tape.

Beacon Signals

Flashing Signal/ Audible	Description
Amber	A system warning is active; verify alarm.
Red	A potlife alarm exists. System goes to Standby.
Green	Not used.
Audible	A system warning is active; verify alarm.

NOTE: See the ProMix 2KS operation manual for details of the specific alarms.

122193 Beacon Tower Installation

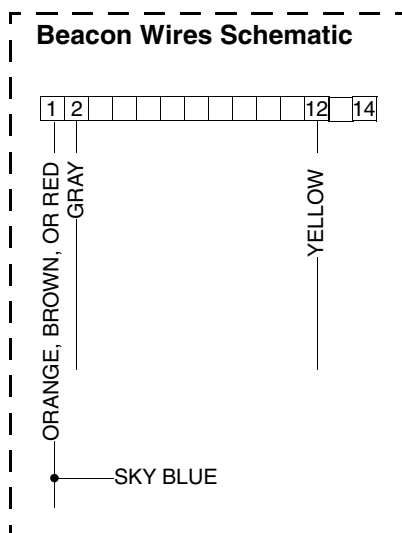
Install on a ProMix 2KS

NOTE: Beacon Tower 122193 is for ProMix 2KS automatic systems (ADxxxx or RDxxxx), or manual systems with wire harness 15W023 installed.

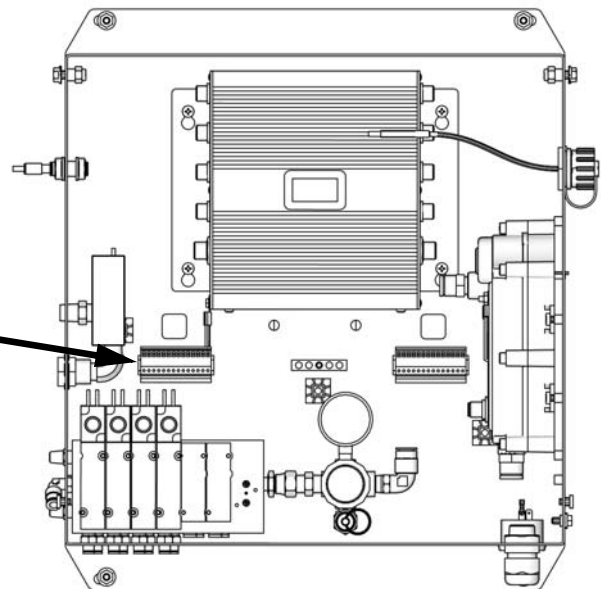
1. Remove the 3/4 in. (19 mm) knockout on top of the EasyKey. Feed the wires through the hole and secure the beacon (1) with jam nuts (N) on the inside and outside of the box. See FIG. 1.
2. Connect yellow and gray wires from beacon to the power terminal. See FIG. 2.
3. Connect orange, brown, and red wires to header pins 6, 7, and 8. See FIG. 5 on page 6.
4. To enable the optional audible alarm, connect sky blue wire to pin 6 on header. See FIG. 5 on page 6. When enabled, it will sound for all system alarms.
5. When beacon wiring is completed, insulate the end of each unused lead wire with insulation tape.

Install on a ProMix 2KE

1. Disconnect the existing alarm from pins 1 and 2 on the terminal strip. See FIG. 3.
2. Mount the beacon near the control box and secure with jam nuts. Feed the wires into the box.
3. Connect the yellow wire from the beacon to pin 12 on the terminal strip.
4. Connect the gray wire from the beacon to pin 2 on the terminal strip.
5. Connect either the orange, brown, or red wire to pin 1 on the terminal strip.
6. To enable the optional audible alarm, connect sky blue wire to pin 1 on the terminal strip. When enabled, it will sound for all system alarms.
7. When beacon wiring is completed, insulate the end of each unused lead wire with insulation tape.



NOTE: Sky Blue wire is for optional audible alarm.



ti15730a

FIG. 3. Beacon Connections in Control Box, ProMix 2KE

Parts

122193 Beacon Tower, includes item 1 only

15W034 Beacon Tower Kit, includes items 1-8

Ref	Description	Qty
1	LIGHT TOWER, Part No. 122193	1
2	CONNECTOR, terminal, female	3
3	CONNECTOR, 10 position	1
4	WIRE HARNESS, 3 conductor with shield; 24 in. (0.6 m)	1
5	HEADER, 5 position, din rail mount	1
6	CONNECTOR, 5 position	1
7	DIN RAIL	1
8	SCREW, machine; 6-32 x 1/4 in. (6 mm)	2

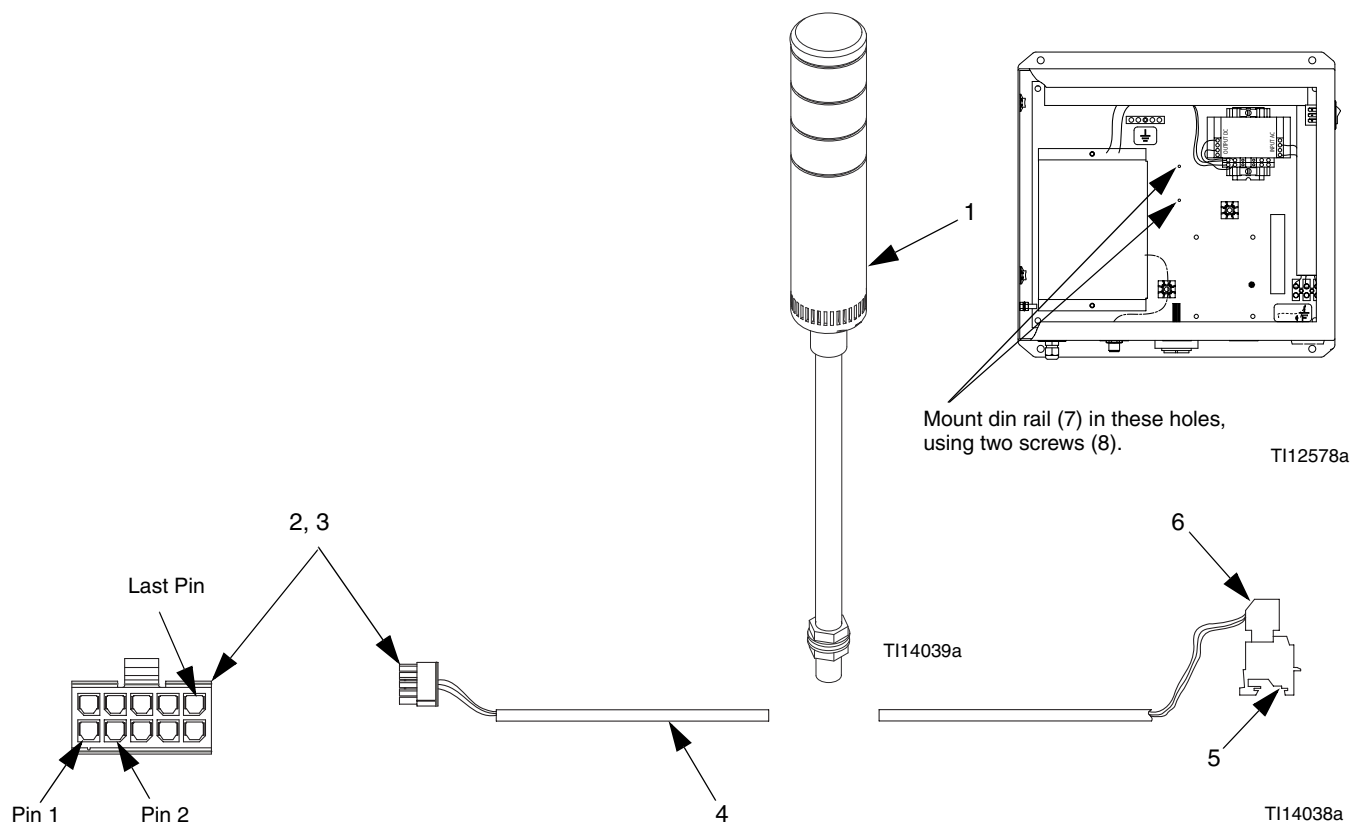


FIG. 4: 15W034 Beacon Kit Parts

Wiring Diagrams

122193 Beacon Tower (for ProMix 2KS Automatic Systems)

Communications and I/O Harness 15W023 is included with Automatic Systems.
Connection points inside the dashed line are already made in the EasyKey.

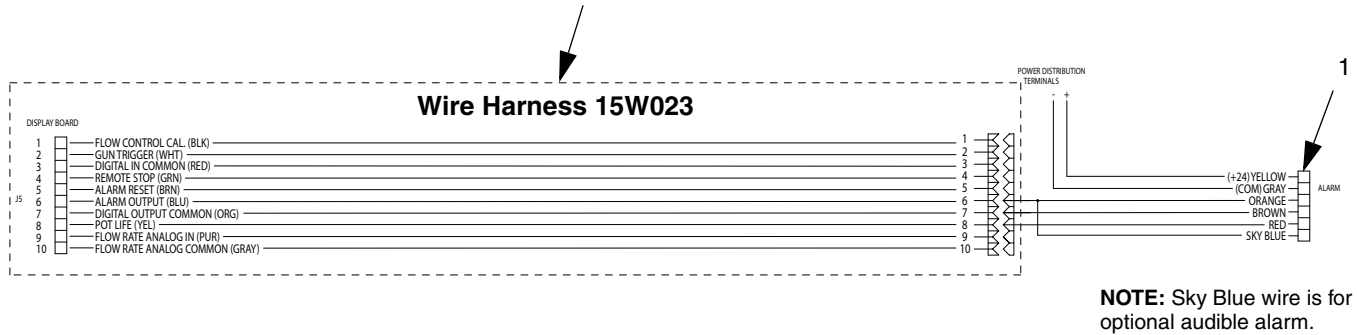


FIG. 5: 122193 Beacon Tower Wiring Diagram

15W034 Beacon Tower Kit (for ProMix 2KS Manual Systems)

NOTE: Item 4 Wire Harness is included with Kit 15W034.

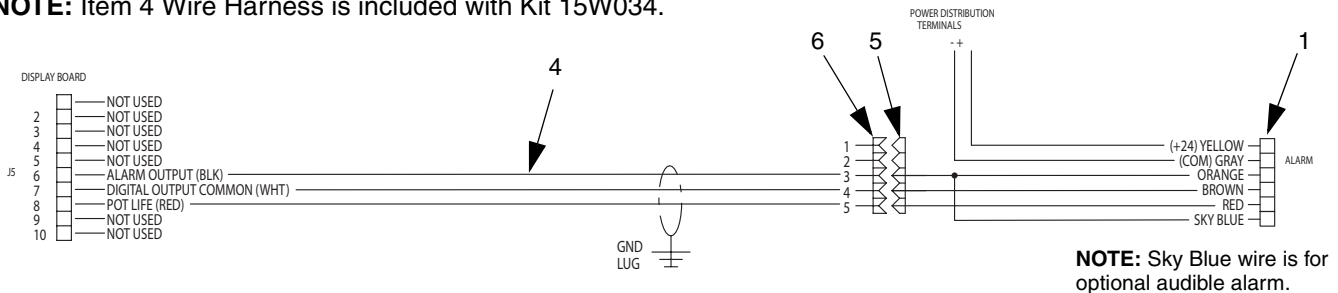


FIG. 6: 15W034 Beacon Tower Kit Wiring Diagram

Graco Information

For the latest information about Graco products, visit www.graco.com.

TO PLACE AN ORDER, contact your Graco distributor or call to identify the nearest distributor.

Phone: 612-623-6921 **or Toll Free:** 1-800-328-0211 **Fax:** 612-378-3505

*All written and visual data contained in this document reflects the latest product information available at the time of publication.
Graco reserves the right to make changes at any time without notice.*

Original instructions. This manual contains English. MM 313542

Graco Headquarters: Minneapolis
International Offices: Belgium, China, Japan, Korea

GRACO INC. P.O. BOX 1441 MINNEAPOLIS, MN 55440-1441

Copyright 2009, Graco Inc. is registered to ISO 9001

www.graco.com

Revised 11/2010

Download from www.Softmanuals.com. All Manuals Search And Download.

Free Manuals Download Website

<http://myh66.com>

<http://usermanuals.us>

<http://www.somanuals.com>

<http://www.4manuals.cc>

<http://www.manual-lib.com>

<http://www.404manual.com>

<http://www.luxmanual.com>

<http://aubethermostatmanual.com>

Golf course search by state

<http://golfingnear.com>

Email search by domain

<http://emailbydomain.com>

Auto manuals search

<http://auto.somanuals.com>

TV manuals search

<http://tv.somanuals.com>