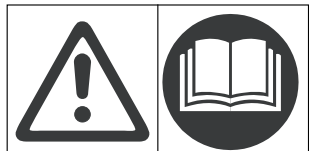


RM 380 Art. 4040

- D Gebrauchsanweisung**
Accu-Motormäher
-
- GB Operating Instructions**
Accu Cordless Motor Mower
-
- F Mode d'emploi**
Tondeuse hélicoïdale sur accu
-
- NL Gebruiksaanwijzing**
Accu kooimesmaaier
-
- S Bruksanvisning**
Accu Cylinderklippare
-
- I Istruzioni per l'uso**
Rasaprato a batteria
-
- E Manual de instrucciones**
Cortacésped accu
-
- P Instruções de utilização**
Corta-relva cilíndrico com acumulador
-
- DK Brugsanvisning**
Accu Cylinderklipper

Beachten Sie die Sicherheitshinweise auf dem Gerät:
 Please adhere to the following safety instructions on the casing:
 Veuillez respecter les consignes de sécurité figurant sur l'appareil :
 Houdt rekening met de veiligheidsaanwijzingen op het apparaat:
 Följ säkerhetsanvisningarna nedan:
 Attenzione ai simboli di sicurezza riportati sull'attrezzo:
 Observen las indicaciones de seguridad en el aparato:
 Por favor siga atentamente as instruções de segurança fornecidas no aparelho:
 lagttag sikkerhedshenvisningerne på apparatet:



Achtung! Vor Inbetriebnahme
 Gebrauchsanweisung lesen!

Warning!
 Read instruction handbook!

Attention ! Merci de lire atten-
 tivement le mode d'emploi
 avant d'utiliser cet appareil !

Let op ! Voor ingebruikname
 gebruiksaanwijzing lezen!

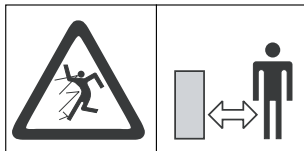
OBS! Läs bruksanvisningen
 före bruk.

Attenzione! Prima di mettere
 in funzione l'attrezzo, leggere
 attentamente le istruzioni per
 l'uso!

¡Atención! Antes de la puesta
 en marcha, lea el manual de
 instrucciones.

Atenção! Leia atentamente
 este manual de instruções
 antes de usar o aparelho.

Advarsel! Før igangsætning
 skal brugsanvisningen læses.



Dritte aus dem Gefahrenbereich
 fernhalten!

Keep bystanders away!

Maintenez tout tiers hors de
 la zone de travail !

Zorg ervoor dat derden buiten
 de gevarezone blijven!

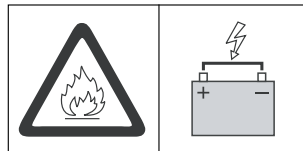
Håll säkerhetsavstånd till andra
 personer.

Tenere lontano i terzi dalla zona
 di lavoro!

¡Mantener alejados a terceros
 del área de trabajo!

Mantenha terceiros fora da área
 de perigo!

Andre personer må ikke komme
 ind i fareområdet.



Achtung! Kontakte dürfen nicht
 überbrückt werden!
 Kurzschluss – Brandgefahr!

Warning! Contacts should
 never be bridged with metal!
 Short-circuit – fire risk!

Attention ! Les éléments de
 contact ne doivent jamais
 être reliés par du métal.
 Risque de court-circuit –
 danger d'incendie !

Let op! Contacten mogen niet
 overbrugd worden met metalen
 onderdelen!

Kortsluiting – brandgevaar!

Varning! Kontakterna får ej
 kortslutas med metalldelar!
 Kortslutning – Brandfara!

Attenzione! Evitare che parti
 metalliche tocchino i contatti:
 ciò potrebbe causare un corto-
 circuito con conseguente peri-
 colo d'incendio!

¡Atención! ¡No deben puentear
 los contactos con piezas metá-
 licas!

¡Peligro de corto circuito –
 incendio!

Atenção! Nunca deverá ligar
 os contactos com peças metá-
 licas!

Perigo de incêndio por curto-
 circuito!

Advarsel! Kontakter må ikke
 omgås ved hjælp af metaldele
 – brandrisiko ved kortslutning.



Wegen Gefahr von Schäden am
 Gerät: Reinigen Sie den Motor-
 mäher nicht unter fließendem
 Wasser, insbesondere nicht
 unter Hochdruck.

To avoid damage on the unit:
 Never clean your Cordless Accu
 Mower with running water,
 in particular with water under
 high pressure.

Pour éviter d'endommager l'ap-
 pareil : ne le lavez pas à l'eau,
 et surtout pas ou nettoyeur
 haute pression.

Om schade aan het apparaat
 te voorkomen: Maak de accu
 kooimesmaaiër nooit schoon
 onder stromend water en zeker
niet onder hoge druk.

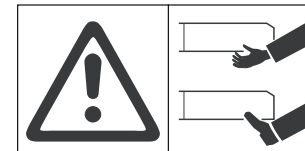
För att undvika skador på män-
 niskor eller materiella skador:
 Rengör aldrig Accu Cylinder-
 klippare med rinnande vatten,
 speciellt inte med högtryck.

Per evitare danni all'attrezzo,
 non lavararlo mai sotto l'acqua
 corrente o con un getto d'acqua,
 tanto meno se ad alta pressione.

Debido al peligro de daños
 personales y materiales, no
 se debe limpiar el cortacésped
 bajo agua corriente, y en espe-
 cial con equipos a presión.

Para evitar causar danos ao
 material: Nunca deve limpar
 esta unidade com água corrente,
 especialmente se for com alta
 pressão.

For at undgå skader på maski-
 nen eller andre materielle dele
 må Accu cylinderklipper aldrig
 rengøres med rindende vand
 eller højtryksrenser.



Achtung! Verletzungsgefahr
 durch scharfes Schneidwerk-
 zeug – Finger und Füße ent-
 fernt halten!

Warning! Risk of injury.
 Keep fingers and feet away
 from sharp cutting tool!

Attention ! Risque de blessures
 par le cylindre de coupe – ne
 mettez ni mains ni pieds à pro-
 ximité !

Let op! Verwondingsgevaar
 door scherp snijgereedschap –
 vingers en voeten weghouden!

Varning! Risk för skada p.g.a.
 skärverktyg med skarp egg –
 Håll fingrar och fötter borta!

Attenzione! Tenere sempre
 mani e piedi a distanza di si-
 curezza dalle lame. Pericolo
 di lesioni!

¡Atención! ¡Peligro de lesiones
 con las cuchillas de corte afi-
 ladas! ¡Mantenga alejados los
 dedos y los pies!

Atenção! Perigo de danos
 pessoais devido a ferramentas
 de corte afiadas – manter afas-
 tados os dedos e pés!

Advarsel! Ved nærkontakt med
 den roterende knivcylinder, kan
 den forvolde skade. Hold fingre
 og fødder væk fra knivcylinde-
 ren.



Achtung! Vor allen Wartungs-
 arbeiten Schlüsselschalter
 ziehen!

Warning! Remove the key from
 the socket before carrying out
 all maintenance work!

Attention ! Avant tout travail
 d'entretien, retirez la fiche-clé !

Let op! Voor alle onderhouds-
 werkzaamheden de sleutel-
 schakelaar eruit trekken!

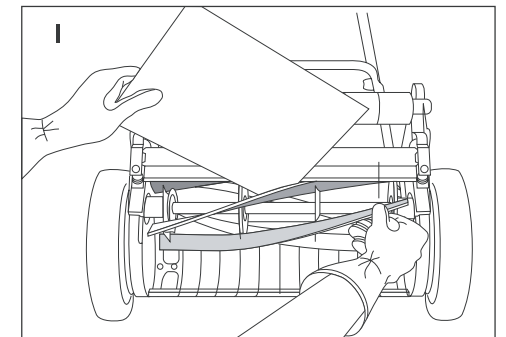
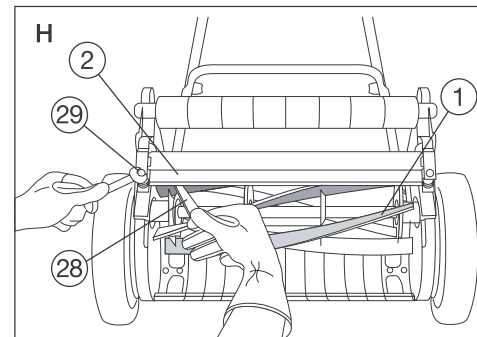
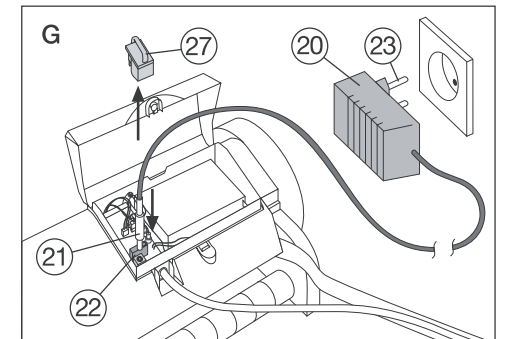
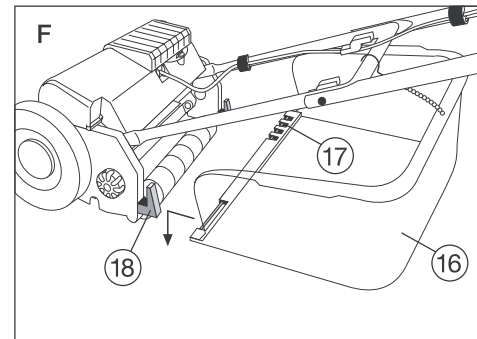
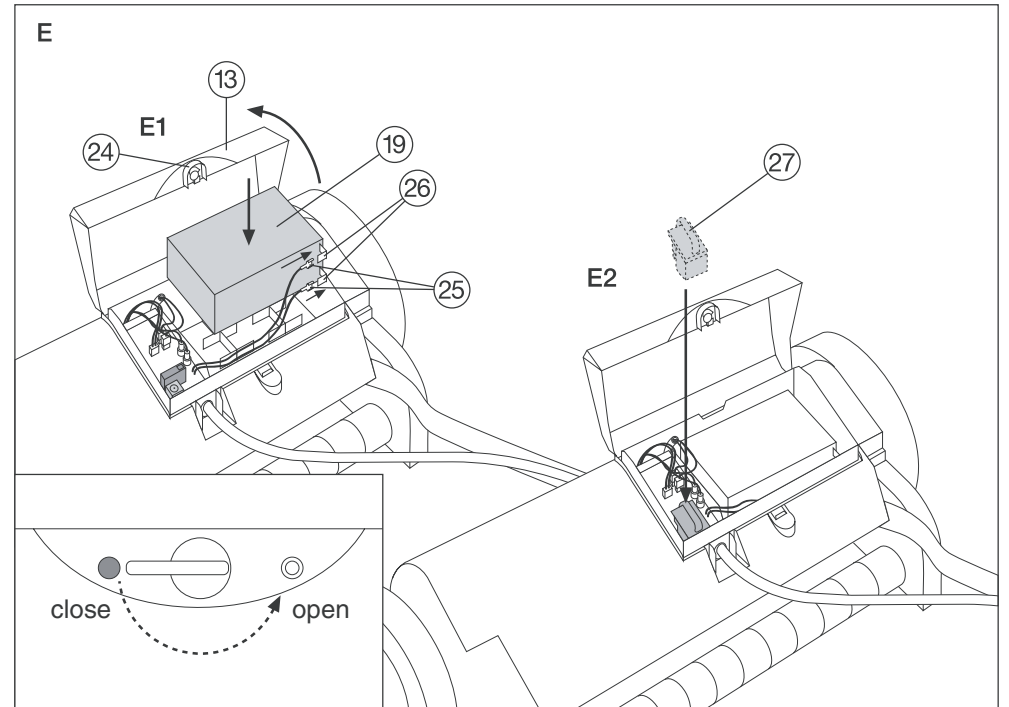
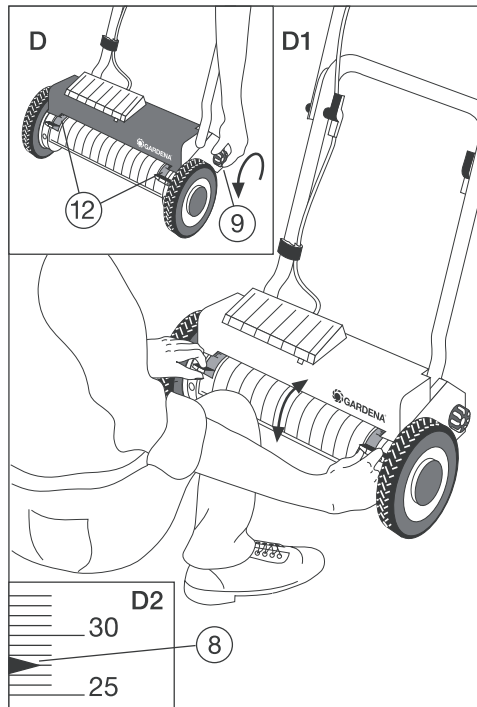
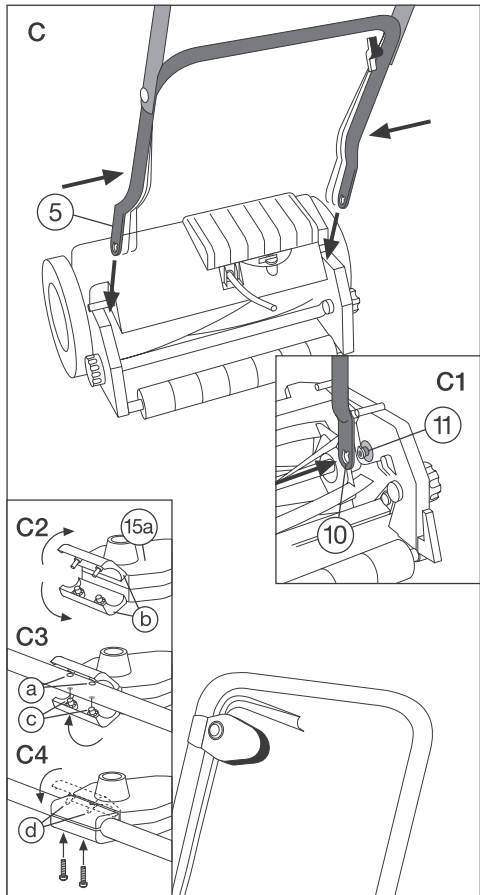
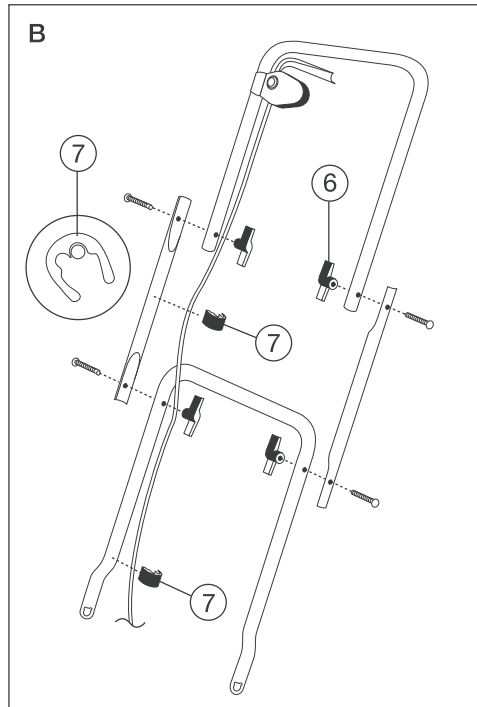
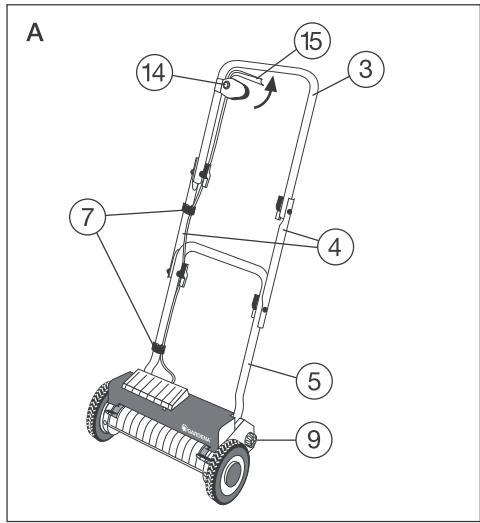
Varning! Dra ur nyckelström-
 brytaren före allt underhålls-
 arbete!

Attenzione! Rimuovere sempre
 la chiavetta d'accensione
 quando si spegne l'attrezzo!

¡Atención! ¡Quite el interruptor
 de llave antes de todos los
 trabajos de mantenimiento!

Atenção! Antes de qualquer
 trabalho de manutenção, retirar
 a chave do interruptor de chave!

Advarsel! Fjern nøglen før
 enhver form for vedligeholdelse
 udføres.



GARDENA Accu Cordless Motor Mower RM 380

1. Technical Data

Accu		
Design		maintenance-free lead battery
Voltage/capacity		12 V / 7.2 Ah
Weight		approx. 2.4 kg
Cordless Motor Mower		
Width of the cutting cylinder		38 cm
Weight		approx. 12 kg
Working area related emission characteristic value $L_{pA}^{1)}$		
		70 dB (A)
Noise level $L_{WA}^{2)}$		84 dB (A)
Vibrations $a_{vhw}^{1)}$		< 2.5 ms^{-2}
	Measuring method according to	
	¹⁾ EN 836 ²⁾ directive 2000/14/EC	

2. Operating Instructions Information

Please read and follow these operating instructions carefully. Familiarise yourself with the unit's features, its proper use and the safety instructions included.

! For safety reasons children under the age of 16 or people not familiar with these operating instructions

must not use this Accu Cordless Motor Mower. Please keep these instructions in a safe place.

3. Product Use

The GARDENA Accu Cordless Motor Mower RM 380 is designed for cutting and aerating lawns in and around the garden.

It is not designed for use in public facilities, parks, sporting grounds, on roads, in agriculture or forestry.

It is essential to observe the manufacturer's operating instructions to ensure the unit's proper functioning. The operating instructions also contain advice for service, maintenance and repair.

! Attention! To prevent injury, the Accu Cordless Motor Mower must not be used

for trimming bushes, hedges, shrubs, for cutting and pruning of climbers or grass on roofs or in balcony boxes.

! Attention! For risks of injury the Accu must not be used as power source for other devices.

4. Assembling the Accu Cordless Motor Mower

4.1 Checking all Parts are Included

The Accu Cordless Motor Mower box contains the following parts:

- Cordless Motor mower
- 1 Accu
- 1 upper section of the guide handle
- 1 lower section of the guide handle
- 2 middle sections of the guide handle
- Assembly parts for the guide handle (plastic bag)

- 1 key (battery compartment)
- 1 Accu charger
- 1 thickness gauge
- Operating instructions

4.2 Operating Parts

- ① Cutting cylinder
- ② Lower blade
- ③ Upper section of the guide handle
- ④ Middle sections of the guide handle
- ⑤ Lower section of the guide handle
- ⑥ Wing nuts with bolts

- ⑦ Cable clip
- ⑧ Cutting height marking arrows
- ⑨ Fixing nuts
- ⑩ Opening for snug and handle bolts
- ⑪ Handle bolts
- ⑫ Adjusting handles
- ⑬ Cover for the Accu
- ⑭ Release knob
- ⑮ Starting handle
- ⑯ Grass catcher
- ⑰ Grass catcher holders
- ⑱ Hooks for grass catcher
- ⑲ Accu
- ⑳ Charger

- ㉑ Plug for charger
- ㉒ Charging socket in housing
- ㉓ Mains plug for charger
- ㉔ Turning knob for Accu cover
- ㉕ Receptacle for tabs
- ㉖ Tabs on Accu
- ㉗ Key
- ㉘ Thickness gauge
- ㉙ Hexagon thread bolt (to adjust cutting tool)

4.3 Assembling the Guide Handle (Fig. A/B/C)

Assemble the guide handle as follows:

1. Guide the upper section of the guide handle ③ into the grooves of the two middle sections of the guide handle ④ (Fig. B)
2. Screw the upper section ③ to both middle sections of the guide handle ④ using the bolts and wing nuts provided ⑥.
3. Guide the lower part of the guide handle ⑤ into the grooves of the middle sections of the guide handle ④ (Fig. B) and screw together with the bolts and wing nuts provided ⑥.
4. Push both sides of the guide handle with the opening ⑩ over the handle bolts ⑪ as shown in Fig. C 1.

Note: Make sure that the groove in the drilled hole and the safety pin of the handle bolt ⑩ meet.

Warning! Do not use excessive force. First ensure that the opening ⑩ and bolt ⑩ are aligned and then fix together.

4.4 Assembling the Starting Device (Fig. C 2 - C 4)

To assemble the starting device, both holes (a) must be on your right hand side when standing behind the mower (in the direction of movement).

1. Pull open the clamps (b) of the starting device (15a) (Fig. C 2).
 2. Guide the two pin receptacles (c) of the lower clamp into the holes (a) and
 3. insert the two pins (d) of the upper clamp into the holes (Fig. C 3).
 4. Press the two clamps back together.
 5. Screw the assembled clamps onto the guide handle using the two Phillips screws provided (Fig. C 4).
 6. Secure the cable to the handle using the cable clips ⑦.
- Warning! The cable must not hang down near the cutting cylinder.**

4.5 Setting the Cutting Height (Fig. D / D 1)

! **Warning! To prevent injury, never set the cutting height when the motor is running.**

Set the cutting height on the Accu Cordless Motor Mower as follows:

1. Stand the Accu Cordless Motor Mower on a **flat, solid** surface.
 2. Position yourself **in front of** the cutting height scale of the Cordless Motor Mower (Fig. D 1).
 3. Loosen both fixing nuts ⑨ (Fig. D).
 4. With both hands on the adjusting handles ⑫ set the cutting height you require (Fig. D 1):
Highest cutting height: 45 mm
Lowest cutting height: 20 mm
- Note:** Make sure that the arrows marking the cutting height ⑧ show the same cutting height on both sides of the scale (Fig. D 2).
5. Re-tighten both fixing nuts ⑨ (Fig. D).

Note: When setting the Cordless Motor Mower to a low cutting height, ensure that the lower blade and cutting cylinder do not touch the ground if the ground is uneven.

5. Putting into Operation

5.1 Preparation for Initial Operation (Fig. E)

Assemble the Accu ⑲ as described in section 7.2 „The Accu – Changing the Accu“.

Note: the Accu is **charged at the factory** but may lose its capacity if it has been stored for a long time. If the Accu is flat when you purchase your Cordless Motor Mower or immediately after use, you must recharge the Accu as described in section “Charging the Accu”.

5.2 Starting your Mower (Fig. A/E)

Warning! Before starting your Cordless Motor Mower check for foreign bodies in the cutting cylinder and remove if necessary.

Start your Cordless Motor Mower as follows:

1. Stand your mower on a level part of the lawn.
2. Open the accu cover ㉔.
3. Insert the key ㉗ (supplied in the battery compartment) the right way round into the socket of the Motor Mower (Fig. E).
4. Close the accu cover.

5. To start the motor, press and hold down the release knob ⑭ and with the other hand, simultaneously pull the starting handle ⑮ towards the cross bar (Fig. A).
6. If you release the starting handle ⑮ the motor switches off again.

Important! Always keep the accu cover closed when working with the Motor Mower!

! **The switches installed by the manufacturer must not be removed or be bridged eg: by taping down the starting handle ⑮ to the guide handle.**

This will prevent the mower switching off automatically, and could cause fatal injury.

Attention! Cutting cylinder continue to run for a few seconds after the motor is switched off.

When working with the Cordless Motor Mower the Accu heats up; this is normal and does not affect its performance.

6. Information Concerning Correct Mowing

6.1 General Remarks on the Care of Lawns

At the beginning of the grass-cutting season and with newly laid lawns, we recommend you select a relatively high cutting height (e.g. 45 mm) then gradually decrease the cutting height over time. To maintain a well kept lawn you should set the cutting height to approximately 20 mm.

If possible, mow your lawn once a week. When you mow your lawn frequently the short roots of the grass grow making your lawn more resistant. Always mow your lawn when it is relatively dry. To obtain a clean cut guide the Accu Cordless Motor Mower in lanes as straight as possible at a walking pace.

Ensure that the lanes overlap by a few centimetres so that no uncut strips are left behind.

Cut the lawn for the first time in spring when the grass begins to grow and the lawn can be walked on. If the grass has grown too long first cut it length-wise with a high cutting height setting (approx. 45 mm) and then cut at right angles with the desired lower cutting height setting (e.g. 25 mm).

The area of lawn you can mow with one charged accu depends on the height and thickness of the lawn, i.e. the taller and thicker the lawn, the smaller the area of lawn you can mow with one fully charged Accu.

6.2 Mowing

Tip: Only cut with a sharp cutting cylinder so that the grass is not bruised and turn yellow.

For a clean cut guide the Cordless Motor Mower at an appropriate speed in lanes as straight as possible.

Note: The Cordless Motor Mower can be operated with the Accu or without as a hand mower.

Warning: The revolving cutting cylinder can cause injuries. Always maintain the distance between the cutting cylinder and user suggested by the guide handle.

When working on inclines always stand diagonally to the incline in a sturdy, safe stance.

To prevent tripping, take particular care when moving backwards and when pulling the Cordless Motor Mower.

For information on how to set the cutting height see section "Setting the Cutting Height".

Blockage Protection

If the mower is blocked by a foreign body or if the motor is overloaded, the motor is automatically switched off by the blockage protection. Remove the key from the socket. Remove the foreign body or the cause for the overload and after a few seconds restart the mower.

If the motor switches off although there are **no** foreign bodies in the cutting tool it is possible that the cutting height you have selected is too low. Select a higher cutting height, e.g. 45 mm and then select a lower cutting height for the second cut.

Circuit Breaker

If the Cordless Motor Mower is overloaded over a longer period of time the motor may become hot.

To protect the motor from overheating the circuit breaker switches the motor off. You can switch the mower on again after approximately 5-10 minutes.

Automatic Cut-Off (discharge protection)

The mower switches off automatically as soon as the capacity of the Accu has been exhausted (discharge protection). We recommend recharging the battery straight away.

Key

To prevent switching on the Motor Mower unintentionally, remove the key ⑰ from the socket.

6.3 Mowing with the Grass Catcher (optional) (Fig. F)

! Only attach the grass catcher when the motor is switched off and the cutting tool has stopped moving.

Using the GARDENA grass catcher saves you having to rake together the grass cuttings.

To attach the grass catcher:

1. Hook the grass catcher holders ⑰ over the hooks ⑱ of the Cordless Motor Mower and
2. Hook the carrying chain onto the lower part of the guiding handle.

Note: The height of the grass catcher can be adjusted using the latch-in hook on the chain.

For the best grass-catching results, push your mower at a walking pace.

GB

7. Maintenance, Care, Storage

7.1 Maintenance

Maintenance includes all jobs which keep your Accu Cordless Motor Mower in perfect working order. By regularly checking the unit (firm seating of screw connections, cracks, damage) and replacing defective or worn parts you can prevent accidents and failure.

Repairs may only be carried out by GARDENA service centres or dealers authorised by GARDENA.

! Before cleaning and setting the Motor Mower, switch off the motor and remove the key ⑰ to prevent starting the motor unintentionally.

7.2 The Accu (Fig. E/G)

Charging the Accu

! Note: Only charge the Accu with the charger supplied! Using other charging units could lead to damage and injury. Using a charger other than the GARDENA charger supplied releases GARDENA from all liability and warranty claims.

! Warning! The mower cannot be started as long as the charger is plugged in!

We recommend charging the Accu **immediately after using your mower** using the supplied charger ⑳ for 24 hours.

Important! If you do not use the Accu for a longer period of time it will get its full efficiency after several charging cycles.

If the Accu is completely flat, e.g. due to too long storage without any recharge, it will get its full efficiency again after several charging cycles.

! Attention! Never charge the Accu after having been heated up by operation or sun. Let cool down first.

Never expose the Accu to direct sunlight while charging.

Never charge the Accu anywhere near acids and easily inflammable materials. Danger of fire!

Note: Do not wait until the Accu is completely flat before recharging.

Charge the Accu in a dry place as follows (Fig. G):

1. Open the accu cover ㉔.
2. Remove the key ⑰ from the socket.
3. Plug the plug ㉑ of the charger into the charging socket ㉒.
4. Then plug the mains plug ㉓ of the charger into the mains socket.
5. To resume mowing after charging the accu, replace the key in the socket and close the accu cover.

Important:

- **Protect the charging socket against dirt and moisture.**
- **If the Accu capacity is so low that the Cordless Motor Mower switches off automatically (discharge protection) then the charging time is 24 hours.**

Charging the Accu directly with the GARDENA Charging Cable (Art. No. 4040-00.900.01 – available from GARDENA Service)

1. Take off the Accu (see "Changing the Accu").
2. Put the socket of the charging cable into the plug of charger ㉑.
3. Connect the plus pole (+) of the battery with the red clip and the minus pole (-) with the black clip.
4. Then plug the mains plug of the charger into the mains socket.
5. Loosen all connections in reverse after charging.
6. Insert the Accu (see "Changing the Accu").

Care

Important! If you do not use the Accu for longer periods of time, it must be re-charged every 6 months to maintain its full efficiency.

Changing the Accu (Fig. E)

If the Accu capacity is completely exhausted or if the Accu can no longer be recharged it must be exchanged. **New Accus** are available from your GARDENA dealer or directly from GARDENA Service, **Art. No. 4040-00.600.20.**

Exchange the Accu as follows:

1. Switch off the Motor Mower.
2. Open the accu cover ㉔.
3. Remove the key from the socket to prevent starting the Motor Mower unintentionally.
4. Remove the Accu. Pay attention to the position of the Accu in the housing.
5. Pull the receptacle for the tabs ㉕ from the tabs ㉖.
6. Insert the new Accu in the holder in the correct position as shown in Fig. E1.
7. **! Important! Pay attention to the +/- markings and the colour markings of the receptacle for the tabs. Push the red tab receptacle on the tab labelled with a plus sign (+) and the black tab receptacle on the tab labelled with a minus sign (-).**
8. Please dispose of the Accu according to the information in the chapter entitled "Disposing of and Recycling Accus".

7.3 The Cordless Motor Mower Cleaning

! To avoid injury to persons and material damage: Never clean your Cordless Motor Mower with running water, in particular with water under high pressure.

After using the mower clean with a moist cloth. Spray the cutting cylinder and lower blade with an oil of low viscosity (e.g. spray oil).

GB

Maintenance

Note: Ensure that all nuts, bolts and screws are tight and that the mower is in good working order. For safety reasons, allow all worn out and damaged parts to be exchanged by GARDENA Service or authorised specialist dealers.

To avoid injury and damage to the mower we recommend you have your mower checked in autumn so that it is ready and safe to use next season.

Storage

Store your Accu Cordless Motor Mower in a dry, cool place where it is protected from frost.

The mower should be stored out of the reach of children.

Tip: The Accu discharges less when stored at cooler temperatures.

7.4 Adjusting the Cutting Tool at a Later Stage (Fig. H)

The cutting tool of your Cordless Motor Mower was set at an optimum setting before leaving our factory. However, if the cut is not clean after using your mower for a longer period of time, please correct the setting of the lower blade as follows:

1. Switch off the Motor Mower and remove the key from the socket to prevent starting the Motor Mower unintentionally.
2. Push the supplied thickness gauge ② on the left hand side between one blade of the cutting cylinder and the lower blade.
3. Turn the hexagon thread bolt ② with a 10 mm fork wrench to the right until the thickness gauge closes slightly. Repeat this on the right hand side of the mower.

4. Turn the cutting cylinder to test the setting. None of the 5 blades of the cylinder must touch the lower blade.

Warning! Handle the cutting tool carefully to avoid cutting yourself. Wear appropriate gloves to protect your hands.

5. When you have adjusted the cutting tool test it using a piece of newspaper (Fig. I).
6. **Important!** Pay attention to the +/- markings and the colour markings of the receptacle for the tabs. Push the **red tab receptacle** on the tab labelled with a plus sign (+) and the **black tab receptacle** on the tab labelled with a minus sign (-). **Ensure the tab receptacles are fitted correctly.**

Familiarise yourself with the surroundings of your working area. Check for possible risks which might be not audible due to the noise of the machine.

Wear sturdy shoes and long trousers to protect your legs.

Keep fingers and feet away from the cutting tool.

Make sure that there are no other people (especially children) or animals anywhere near the working area.

Ensure that you have a secure foothold when working. Attention! Take extra care when walking backwards. You may stumble!

If, in spite of this, you come into contact with any obstruction when cutting, turn off the mower. Remove the key from the socket. Remove the object then check the mower for damage and have it repaired if necessary.



Interruptions of work

Never leave the Cordless motor Mower unattended at the working area. If you interrupt your work store the mower in a safe place.

When you interrupt work to move to another working area, always switch off your Cordless Motor Mower and remove the key from the socket.



Check the environment

Never use the unit when it is raining or in damp or wet areas.

Do not operate your Cordless Motor Mower near swimming pools or garden ponds.

Please observe the prescribed local quiet times.

Keep the charger in a dry place.



Notes on Safety Regarding Accu / Danger of Fire

Never charge the Accu after having been heated up by operation or sun. Let cool down first.

Never expose the Accu to direct sunlight while charging.

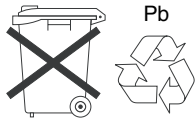
Never charge the Accu anywhere near acids and easily inflammable materials. Danger of fire!

Only use the Accu for the appliances intended.

Do not throw the used Accu into fire under any circumstances. Danger of fire!

Never bridge the contacts in the Accu. Danger of short circuits and fire.

8. Disposing of and Recycling Accus



Pb
The Accu contains lead cells.

After their lifetime have expired, they may not be disposed of as normal house rubbish, **but must be disposed of properly.**

Please return the Accu to a GARDENA dealer or send them directly to one of the GARDENA Service Centres listed on the rear.

9. Advice for Proper Use / Safety Instructions

Checks before each operation

Inspect the unit before each use. Do not use the Accu Cordless Motor Mower if safety devices (safety handle; safety cover) and/or the cutting cylinder are damaged or worn. Never operate the unit with the safety devices by-passed or missing.

Inspect the area to be cut before beginning work.

Remove any foreign objects (e.g. stones) from the area. Check the working area for

foreign objects (e.g. stones) during work.

The cutting cylinder and the lower blade must be checked regularly for damage and properly repaired if necessary.

Cutting tools must only be exchanged by GARDENA Service or an authorised specialist dealer.

Proper use / responsibility

This Accu Cordless Motor Mower can cause serious injuries!

You are responsible for the safety of the working area.

To prevent injuries, never start the motor when the Mower is tipped.

Only use the Cordless Motor Mower for the purposes specified in these instructions.

Only work when visibility is good.

Guide the mower at a walking pace only.

Only insert the key into the socket when you plan to start working with the Motor Mower.

10. Faults

The following table contains the problems most frequently occurring and shows how to remedy them.

Problem	Possible cause	Remedy
Abnormal noise. Clattering in the unit.	Motor fixing screws or mower casing loose.	Tighten screws.
Metal-like hammering noises.	Foreign body blocking the cutting cylinder.	Turn off the mower. Remove the key from the socket. Remove the foreign body.
Motor will not start.	Tab on Accu loose.	Open the cover ⑬ and push the tab receptacle onto the tab.
	Key not inserted.	Insert the key into the socket.
	Circuit breaker has been triggered.	Wait approx. 5-10 minutes then turn on the motor again.
Motor turns off.	Blocked by foreign body. Blocking protection activated.	Switch off the motor. Remove the key from the socket. Remove the foreign body.

Problem	Possible cause	Remedy
Motor turns off.	The cutting height you have selected is too low; you are pushing the mower too quickly. Circuit breaker has been activated.	Let the motor cool for 5-10 minutes, then use the mower with a higher cutting height and reduce the cutting height in stages until you reach the lower cutting height you require. Push the Motor Mower more slowly across the lawn.
	Battery power too low for cutting height.	Increase the cutting height and cut the lawn in stages or charge the accu (see Chapter 7.2 "The Accu").
Yellow lawn. Cut not clean.	Cutting height too low.	Increase the cutting height.
	Blades are blunt or damaged.	Have the blade replaced at a GARDENA Service Centre or by an authorised specialist.

If you have any problem with your Accu Cordless Motor Mower, please contact our Customer Service, or return the defective unit together with a short description of the problem and, if covered under guarantee, with a copy of the receipt, directly to one of the

GARDENA Service Centres listed on the back of this leaflet.

We expressly point out that, according to the product liability law, we are not liable for any damage caused by our units if, in case of repair or

exchange, other than original GARDENA parts are used and repair is not carried out by a GARDENA service centre or an authorised specialist. The same also applies to spare parts and accessories.

EU Certificate of Conformity

The undersigned

GARDENA Kress + Kastner GmbH · Hans-Lorensen-Str. 40 · D-89079 Ulm

hereby certifies that, when leaving our factory, the unit indicated below is in accordance with the harmonised EU guidelines, EU standards of safety and product specific standards.

This certificate becomes void if the unit is modified without our approval.

Description of the unit:

Accu Cordless Motor Mower

Type:

RM 380

Art. No.:

4040

EU directives:

Machinery Directive 98/37/EC
Electromagnetic Compatibility
89/336/EC
Low Voltage Directive 73/23/EC
Directive 93/68/EC
Directive 2000/14/EC

Harmonised European standards:

EN 292-1
EN 292-2
EN 836
EN 60335-1
prEN 60335-2-77

Noise level:

measured: 84 dB (A)
guaranteed: 86 dB (A)

Year of CE marking:

1998

Ulm, 06.05.2002



Thomas Heint
Technical director

D

Garantie

GARDENA gewährt für dieses Produkt 2 Jahre Garantie (ab Kaufdatum). Diese Garantieleistung bezieht sich auf alle wesentlichen Mängel des Gerätes, die nachweislich auf Material- oder Fabrikationsfehler zurückzuführen sind. Sie erfolgt durch die Ersatzlieferung eines einwandfreien Gerätes oder durch die kostenlose Reparatur des eingesandten Gerätes nach unserer Wahl, wenn folgende Voraussetzungen gewährleistet sind:

- Das Gerät wurde sachgemäß und laut den Empfehlungen in der Gebrauchsanweisung behandelt.
- Es wurde weder vom Käufer noch von einem Dritten versucht, das Gerät zu reparieren.

Die Verschleißteile Messerwalze und Untermesser sind von der Garantie ausgeschlossen.

Diese Hersteller-Garantie berührt die gegenüber dem Händler/Verkäufer bestehenden Gewährleistungsansprüche nicht.

Im Servicefall schicken Sie bitte das defekte Gerät zusammen mit einer Kopie des Kaufbelegs und einer Fehlerbeschreibung frankiert an die auf der Rückseite angegebene Serviceadresse.

GB

Guarantee

GARDENA guarantees this product for 2 years (from date of purchase). This guarantee covers all serious defects of the unit that can be proved to be material or manufacturing faults. Under warranty we will either replace the unit or repair it free of charge if the following conditions apply:

- The unit must have been handled properly and in keep-

ing with the requirements of the operating instructions.

- Neither the purchaser or a non-authorised third party have attempted to repair the unit.

The cutting cylinder and lower blade are wearing parts and are not covered by the guarantee.

This manufacturer's guarantee does not affect the user's existing warranty claims against the dealer/seller.

In case of claim, please return the faulty unit together with a copy of the receipt and a description of the fault, with postage paid to one of the GARDENA Service Centres listed on the back of these operating instructions.

F

Garantie

GARDENA accorde pour cet appareil une garantie contractuelle de 2 ans à compter du jour de l'achat. Elle est assurée par le remplacement gratuit des pièces défectueuses ou de l'appareil. Le choix en étant laissé à la libre initiative de GARDENA. En tout état de cause s'applique la garantie légale couvrant toutes les conséquences des défauts ou vices cachés (article 1641 et suivants du Code Civil).

Pour que ces garanties soient valables, les conditions suivantes doivent être remplies :

- L'appareil a été manipulé de manière adéquate, suivant les instructions du mode d'emploi.
- Il n'y a eu aucun essai de réparation, ni par le client, ni par un tiers.

Le cylindre de coupe et le couteau inférieur sont des pièces d'usure et sont par conséquent exclus de la garantie.

Une intervention sous garantie ne prolonge pas la durée initiale de la garantie contractuelle.

Toutes les revendications dépassant le contenu de ce texte ne sont pas couvertes par la garantie, quel que soit le motif de droit.

Pendant la période de garantie, le Service Après-Vente et les Centres SAV agréés effectueront, à titre payant, les réparations nécessaires par suite de manipulations erronées.

En cas de réclamation, veuillez envoyer le produit en port payé avec le bon d'achat et une description du problème, à l'adresse du Service Après-Vente figurant au verso.

NL

Garantie

GARDENA geeft op dit product 2 jaar garantie (vanaf de aankoopdatum). Deze garantie heeft betrekking op alle wezenlijke defecten aan het toestel, die aanwijsbaar op materiaal- of fabricagefouten berusten. Garantie vindt plaats door de levering van een vervangend apparaat of door de gratis reparatie van het ingestuurde apparaat, naar onze keuze, indien aan de volgende voorwaarden is voldaan:

- Het apparaat werd vakkundig en volgens de adviezen in de gebruiksaanwijzing behandeld.
- Noch de koper, noch een derde persoon heeft getracht het apparaat te repareren.

De aan slijtage onderhevige kooimes en de ondermes vallen niet onder de garantie.

Deze garantie van de producent heeft geen betrekking op de ten aanzien van de handelaar/verkoper bestaande aansprakelijkheid.

In geval van reclamatie het defecte apparaat samen met de kassabon en een beschrijving van de storing gefrankeerd op naar het op de achterzijde aangegeven serviceadres opsturen.

Deutschland

GARDENA Kress + Kastner GmbH
GARDENA Service
Hans-Lorenser-Straße 40
D-89079 Ulm
Produktfragen: (07 31) 490-123
Reparaturen: (07 31) 490-290

Argentina

Argensem S.A.
Venezuela 1075
(1618) El Talar - Buenos Aires

Australia

NYLEX Corporation Ltd.
25-29 Nepean Highway
P.O. Box 68
Mentone, Victoria 3194

Austria

GARDENA Österreich Ges. m.b.H.
Stettnerweg 11-15
2100 Korneuburg

Belgium

MARKT (Belgium) NV/SA
Sterrebeekstraat 163
1930 Zaventem

Brazil

M. Cassab
Av. das Nações Unidas, 20.882
Santo Amaro, CEP 04795-000
São Paulo - S.P.

Bulgaria / България

ДЕНЕКС ООД
Бул. "Г.М.Димитров" 16 ет.4
София 1797

Canada

GARDENA Canada Ltd.
100, Summerlea Road
Brampton, Ontario
Canada L6T 4X3

Chile

Antonio Martinic Y CIA. LTDA.
Gilberto Fuenzalida 185 Loc.
Las Condes - Santiago de Chile

Costa Rica

Compania Exim
Euroiberoamericana S.A.
350 Sur del Automercado
Los Yoses
San Pedro

Cyprus

FARMOKIPIKI LTD
P.O. Box 7098
74, Digeni Akrita Ave.
1641 Nicosia

Czech Republic

GARDENA spol. s.r.o.
Řípská 20a, č.p. 1153
62700 Brno

Denmark

GARDENA Danmark A/S
Naverland 8
2600 Glostrup

Finland

Habitec Oy
Martinkyläntie 52
01720 Vantaa

France

GARDENA France
Service Après-Vente
BP 50080
95948 ROISSY CDG Cedex

Great Britain

GARDENA UK Ltd.
27-28 Brenkley Way
Bleazard Business Park
Seaton Burn
Newcastle upon Tyne
NE13 6DS

Greece

Agrokop G. Psomadopoulos & Co.
20, Lykourgou str.
Kallithea - Athens

Hungary

GARDENA Magyarország Kft.
Késmárk utca 22
1158 Budapest

Iceland

Heimilistaeki hf
Saetun 8
P.O. Box 5340
125 Reykjavik

Republic of Ireland

Michael McLoughlin & Sons
Hardware Limited
Long Mile Road
Dublin 12

Italy

GARDENA Italia S.r.l.
Via Donizetti 22
20020 Lainate (Mi)

Japan

KAKUDAI Mfg. Co. Ltd.
1-4-4, Itchibori Nishi-ku
Osaka 550

Luxembourg

Magasins Jules Neuberg
Grand Rue 30
Case Postale No. 12
Luxembourg 2010

Netherlands

GARDENA Nederland B.V.
Postbus 50176
1305 AD ALMERE

Neth. Antilles

Jonka Enterprises N.V.
Sta. Rosa Weg 196
P.O. Box 8200
Curaçao

New Zealand

NYLEX New Zealand Limited
Private Bag 94001
South Auckland Mail Centre
10 Offenhauser Drive
East Tamaki, Manukau

Norway

GARDENA Norge A/S
Postboks 214
2013 Skjetten

Poland

GARDENA Polska Sp. z o.o.
Szymanów 9 d
05-532 Baniocza

Portugal

MARKT (Portugal), Lda.
Recta da Granja do Marquês
Edif. GARDENA
Algueirão
2725-596 Mem Martins

Russia / Россия

АО АМИДА ТТЦ
ул. Мосфилмовская 66
117330 Москва

Singapore

Variware
Holland Road Shopping Centre
227-A 1st Fl., Unit 29
Holland Avenue
Singapore 1027

Slovenia / Croatia

Silk d.o.o. Trgovina
Brodišče 15
1236 Trzin

South Africa

GARDENA South Africa (Pty.) Ltd.
P.O. Box 11534
Vorna Valley 1686

Spain

ANMI Andreu y Miriam S.A.
Calle Pere IV, 111
08018 Barcelona

Sweden

GARDENA Svenska AB
Box 9003
20039 Malmö

Switzerland

GARDENA Kress + Kastner AG
Bitziberg 1
8184 Bachenbülach

Ukraine / Украина

АОЗТ АЛЬЦЕСТ
ул. Гайдара 50
г. Киев 01033

Turkey

Dost Dış Ticaret Müessillik A.Ş.
Yeşilbağlar Mah. Başkent
Cad. No. 26
Pendik - İstanbul

USA

GARDENA
3085 Shawnee Drive
Winchester, VA 22604

4040-20.960.06/0021

© GARDENA Kress + Kastner GmbH
Postfach 27 47, D-89070 Ulm
<http://www.gardena.com>

Free Manuals Download Website

<http://myh66.com>

<http://usermanuals.us>

<http://www.somanuals.com>

<http://www.4manuals.cc>

<http://www.manual-lib.com>

<http://www.404manual.com>

<http://www.luxmanual.com>

<http://aubethermostatmanual.com>

Golf course search by state

<http://golfingnear.com>

Email search by domain

<http://emailbydomain.com>

Auto manuals search

<http://auto.somanuals.com>

TV manuals search

<http://tv.somanuals.com>