

4000/4 electronic plus
Art. 1482

4000/5 electronic plus
Art. 1484

D Gebrauchsanweisung

Hauswasserautomat

GB Operating Instructions

Pressure Tank Unit

F Mode d'emploi

Pompe d'arrosage automatique

NL Gebruiksaanwijzing

Pomp met hydrofoor

S Bruksanvisning

Pumpautomat

I Istruzioni per l'uso

Pompa ad intervento automatico per uso domestico

E Manual de instrucciones

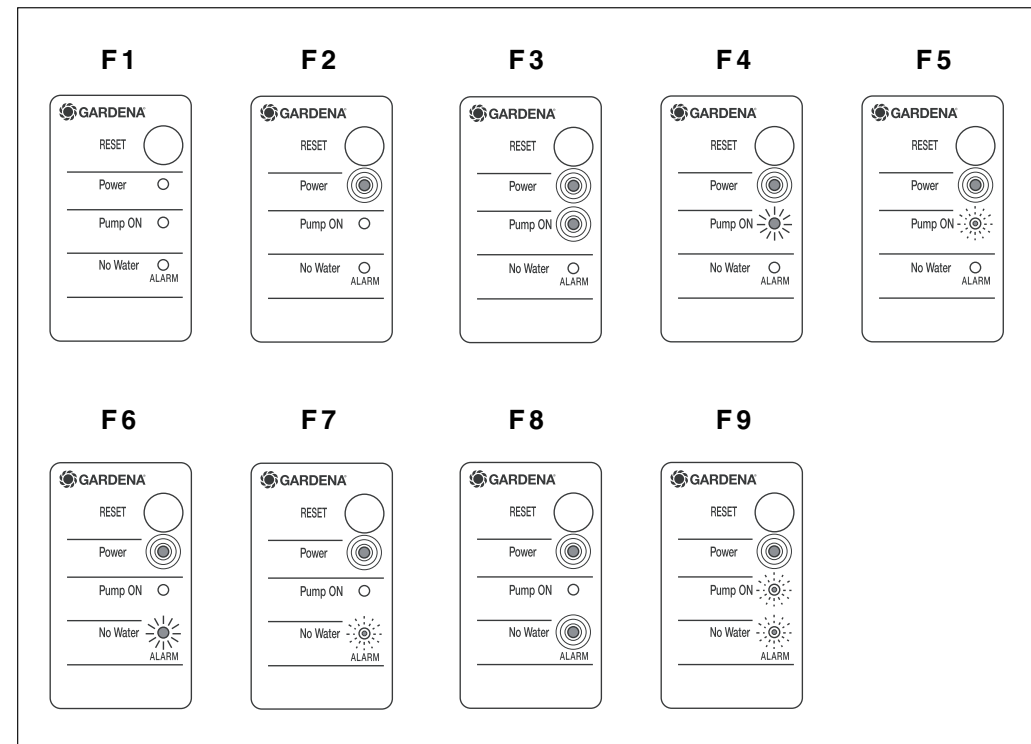
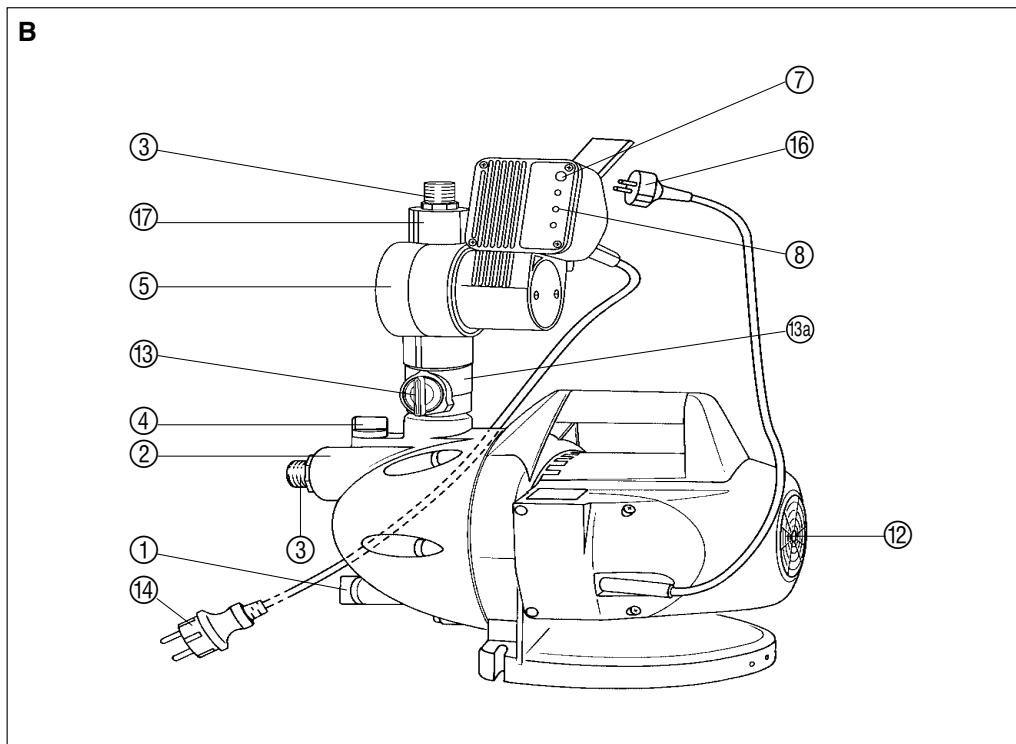
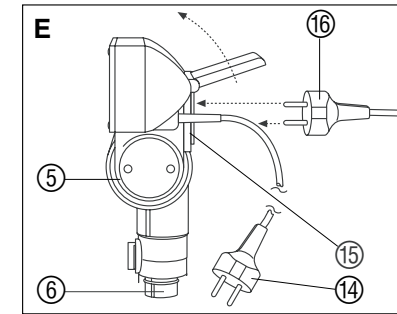
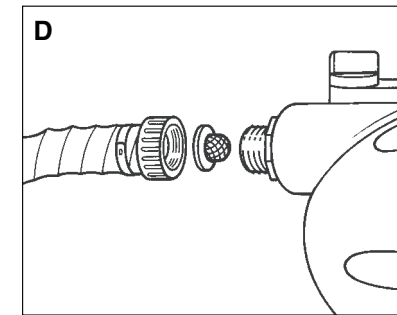
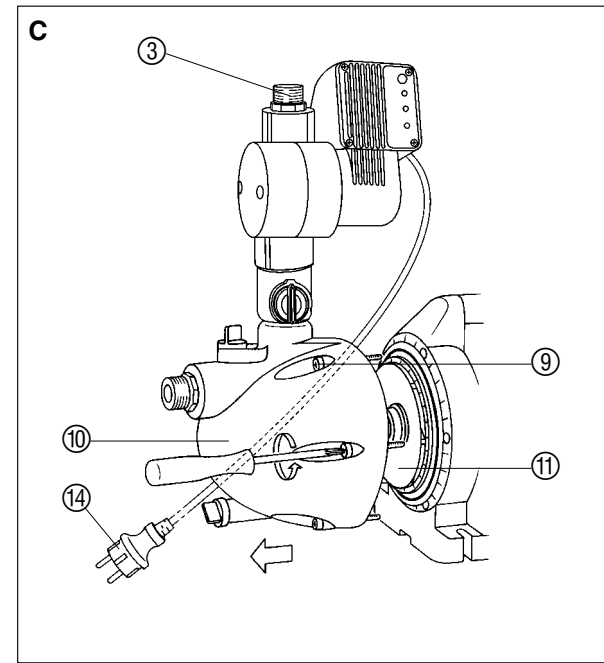
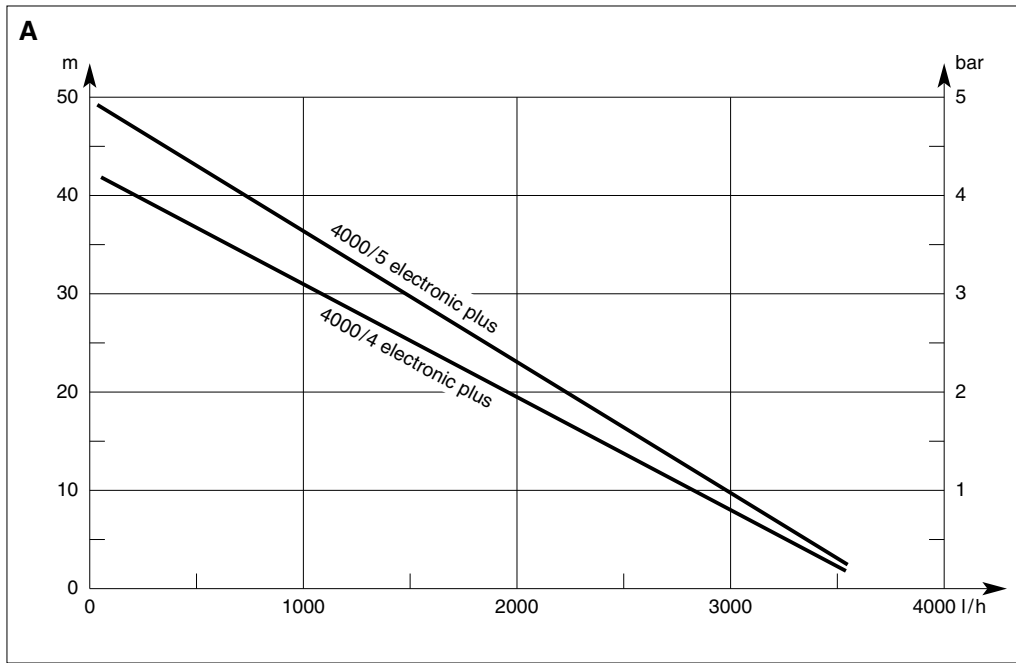
Bomba doméstico

P Instruções de utilização

Bomba de Pressão

DK Brugsanvisning

Husvandværk



D Bitte lesen Sie diese Gebrauchsanweisung vor Montage und Inbetriebnahme Ihres Gerätes sorgfältig. Beim Lesen der Gebrauchsanweisung bitte die Umschlagseite herausklappen.

Inhaltsverzeichnis	Seite
1. Hinweise zur Gebrauchsanweisung	5
2. Ordnungsgemäßer Gebrauch	5
3. Technische Daten	5
4. Funktionsteile	6
5. Maßnahmen vor der Inbetriebnahme	6
6. Inbetriebnahme	7
7. Sicherheitshinweise zur Inbetriebnahme	7
8. Funktion und Display des Elektronischen Druckschalters	8
9. Benutzungshinweise	9
10. Wartung, Pflege, Aufbewahrung	9
11. Empfehlenswertes Zubehör	10
12. Störungen	10
Garantie	74

GB Please read these operating instructions carefully before assembling and using the unit. Unfold inside cover pages to read the operating instructions.

Contents	Page
1. Information concerning the Operating Instructions	14
2. Product Use	14
3. Technical Data	14
4. Functional Parts	15
5. Preparations prior to Operation	15
6. Starting Operation	16
7. Safety Hints before Operation	16
8. Function and Display of the Electronic Manometric Switch	17
9. Operation Hints	18
10. Maintenance, Care, Storage	18
11. Recommended Accessories	19
12. Trouble-Shooting	19
Guarantee	74

F Nous vous remercions de bien vouloir lire attentivement ce mode d'emploi avant d'utiliser votre pompe. Pour une meilleure compréhension, dépliez le 2ème volet de la couverture de manière à faire apparaître les schémas de montage.

Contenu	Page
1. Informations sur le mode d'emploi	22
2. Domaine d'utilisation	22
3. Caractéristiques techniques	22
4. Description du produit	23
5. Préparation de la mise en service	23
6. Mise en service	24
7. Précautions d'emploi	24
8. Fonctionnement et affichage de l'interrupteur manométrique	25
9. Conseils d'utilisation	26
10. Entretien et rangement	27
11. Accessoires recommandés	27
12. Incidents	27
Garantie	74

NL Lees deze gebruiksaanwijzing voor montage en ingebruikname van het apparaat zorgvuldig door. Bij het lezen van de gebruiksaanwijzing de bladzijden met de afbeeldingen openslaan.

Inhoudsopgave	Pagina
1. Aanwijzingen bij de gebruiksaanwijzing	30
2. Juist gebruik	30
3. Technische gegevens	30
4. Bedieningsonderdelen	31
5. Maatregelen vóór de ingebruikname	31
6. Ingebruikname	32
7. Veiligheidstips voor ingebruikname	32
8. Functie en display van de elektronische besturing	33
9. Gebruikstips	34
10. Verzorging, onderhoud, opslag	34
11. Aanbevolen accessoires	35
12. Storingen	35
Garantie	74

S Läs igenom bruksanvisningen noggrant innan Du tar Din pump i bruk. Ha omslaget utvikt när Du läser bruksanvisningen.

Innehåll	Sida
1. Information	38
2. Användningsområde	38
3. Tekniska data	38
4. Beskrivning	38
5. Åtgärder innan automaten tas i bruk	39
6. Drift	40
7. Säkerhetsråd vid drift	40
8. Den elektroniska styrningens funktion och display	40
9. Viktiga råd	42
10. Underhåll, skötsel och förvaring	42
11. Rekommenderade tillbehör	42
12. Felsökning	42
Garanti	75

I Prima di mettere in uso la nuova pompa, leggere attentamente le istruzioni tenendo aperto il pieghevole per avere sott'occhio i disegni esplicativi.

Indice	pagina
1. Avvertenze	45
2. Uso corretto	45
3. Caratteristiche tecniche	45
4. Parti funzionali	45
5. Operazioni preliminari	46
6. Messa in uso	47
7. Norme di sicurezza	47
8. Pressostato elettronico	47
9. Norme operative	48
10. Manutenzione	49
11. Accessori	49
12. Anomalie di funzionamento	49
Garanzia	75

E Antes del montaje y de la puesta en marcha del aparato, aconsejamos una atenta lectura del presente manual de instrucciones.

Para facilitar la lectura, desdoble la cubierta.

Índice	Página
1. Indicaciones del manual de instrucciones	52
2. Uso correcto	52
3. Datos técnicos de la bomba	52
4. Piezas funcionales	52
5. Operaciones antes de la puesta en servicio	53
6. Puesta en servicio	54
7. Medidas de seguridad para la puesta en funcionamiento	54
8. Función y display del interruptor electrónico	54
9. Instrucciones de uso	56
10. Mantenimiento, cuidados, almacenamiento	56
11. Accesorios recomendados	56
12. Averías	57
Garantía	75

P Por favor leia atentamente estas instruções de utilização antes de utilizar esta bomba. Desdobre as páginas na capa interior para ler as instruções de utilização.

Conteúdo	Página
1. Informações acerca das instruções	59
2. Utilização do produto	59
3. Dados técnicos	59
4. Componentes funcionais	60
5. Providências a serem tomadas antes da colocação em funcionamento	60
6. Colocação em funcionamento	61
7. Medidas de segurança antes do funcionamento	61
8. Funcionamento e indicações do display do interruptor manométrico electrónico	62
9. Conselhos de utilização	63
10. Manutenção, conservação e armazenagem	64
11. Acessórios recomendados	64
12. Falhas	65
Garantia	75

DK Læs denne brugsanvisning omhyggeligt igennem før monter og igangsætning af apparatet. Klap brugsanvisningens omslagsside ud under læsningen.


Inhold	Side
1. Hensvisninger til brugsanvisningen	67
2. Korrekt anvendelse	67
3. Tekniske data	67
4. Funktionsdele	67
5. Foranstaltninger før igangsætning	68
6. Igangsætning	69
7. Sikkerhedshensvisninger i forbindelse med igangsætning	69
8. Det elektroniske manometer kontakts funktion og display	69
9. Anvendelsehensvisninger	71
10. Vedligeholdelse, pleje, opbevaring	71
11. Anbefalelsesværdigt tilbehør	71
12. Fejl	72
Garanti	75

GARDENA Pressure Tank Units

4000/4 electronic plus, 4000/5 electronic plus

1. Information concerning the Operating Instructions

Please read these operating instructions thoroughly. Follow the information given. Use the operating instructions to get acquainted with the operating parts and the proper use of the Pressure Tank Unit.


 **For safety reasons, people who are not familiar with these operating instructions should not use this Pressure Tank Unit.**

Following the operating instructions supplied by the manufacturer is a prerequisite for the proper use of the pump. The operating instructions include all necessary instructions concerning operation, maintenance and service.

2. Product Use

GARDENA Pressure Tank Units have been designed for private use around house and garden. Pressure Tank Units are predominantly used for operating watering implements and systems in private gardens.

domestic water supply, e.g. when taking rainwater for domestic use.

 **GARDENA Pressure Tank Units are not designed for continuous operation (e.g. industrial application, continuous circulating operation).**

Besides, the GARDENA Pressure Tank Units can be used for

Corrosive, easily combustible, aggressive or explosive substances (e.g. petrol, petroleum, nitro thinner) as well as food must not be pumped. The temperature of the liquid to be pumped should not exceed 35 °C.

3. Technical Data

	4000/4e plus	4000/5e plus
Rated power	800 W	1,000 W
Max. delivery capacity	3,600 l/h	3,600 l/h
Max. delivery head	42 m	50 m
Max. pressure (= cut-out pressure)	4.2 bar	5.0 bar
Cut-in pressure approx.	2.2 ± 0,2 bar	2.2 ± 0,2 bar
Max. suction head	9 m	9 m
Perm. internal pressure (delivery side)	6 bar	6 bar
Voltage	230 V	230 V
Frequency	50 Hz	50 Hz
Noise level $L_{WA}^{1)}$	77 dB (A)	79 dB (A)

1) Measuring method according to directive 2000/14/EC

Performance Characteristics (ill. A)

Technical data of the above performance characteristics is measured at a suction height of 0.5 m, using a 25 mm (1") suction hose.

4. Functional Parts (ill. B/C/E)

- | | | |
|--------------------------------|--------------------------------------|---|
| ① Water drain screw | ⑧ Light-emitting diodes | ⑭ Mains connector for the Manometric Switch |
| ② Suction side | ⑨ Screws for casing attachment | ⑮ Connector socket for pump connector plug |
| ③ Pump fitting 33.3 mm (G 1) | ⑩ Casing cover | ⑯ Mains plug for pump |
| ④ Filler cap with screw plug | ⑪ Turbine | ⑰ Outlet, delivery side |
| ⑤ Electronic Manometric Switch | ⑫ Turbine axle | |
| ⑥ Inlet, delivery side | ⑬ Rotary switch for non-return valve | |
| ⑦ RESET button | | |

5. Preparations prior to Operation

5.1 Mounting the Electronic Manometric Switch

The Electronic Manometric Switch ⑤ is fitted with a 33.3 mm (G 1) outer thread at the inlet side ⑥.

To mount the Electronic Manometric Switch proceed as follows:

- Hold the top of the Electronic Manometric Switch with one hand and with the other, screw the lower rotating part into the inner thread of the pump. Screw up to the limit. **Note:** When the limit has been reached, the non-return valve (13a) can be turned **in the counter-clockwise direction – a maximum of one turn however** – into any position which is the most convenient for you. The display can also be turned into any desired position **before** the connection on the pressure side ③ / ⑰ is tightened up.
- Plug the mains plug for the pump ⑯ into the connector socket ⑮ at the back of the display for the Electronic Manometric Switch (ill. E).

5.2 Location and Filling of the Pump before Operation

- Locate the pump at safe distance of the liquid.** Take care that the site is firm and solid, in order to ensure safe location of the pump.
- Before operation, fill the pump either a) through the filler cap, or b) through the outlet nozzle of the Electronic Manometric Switch with at least 2 l of the liquid to be pumped:**

- To fill the pump through the filler cap ④: Undo the screw plug at the filling nozzle and tighten up again after filling the pump (do not use a wrench).
- To fill the pump through the outlet nozzle on the delivery side ⑰ of the Electronic Manometric Switch:
 - Set the rotary switch/non-return valve to position 2 (non-return valve open).
 - Open the screw plug of the filler cap ④ (for bleeding).
 - Fill the pump with liquid through the outlet on the delivery side ⑰ of the Electronic Manometric Switch until liquid exits the pump on the suction side ②.
 - Tightly close the screw plug again.

As well as the pump itself, the suction hose with back-flow preventer shall be filled in order to ensure trouble-free drawing (refer to the section "Suction hose connection").

5.3 Suction hose connection

Suction Side ②

- Screw one of the two supplied pump fittings ③ onto the suction side ② of the pump and tighten it by hand **until the washer fits closely.** **Note:** For the suction side use a **vacuum-resistant suction hose with back-flow preventer** (e.g. GARDENA Suc

- tion Unit, art.no. 1411). Only this way, the suction hose can be filled up before initial operation. Additionally, the liquid to be pumped stays in the suction hose, when the pump cuts out. Thus easy priming is made possible when starting the pump again. For suction heights exceeding 4 m, we recommend to fix additionally the suction hose, e.g. by fastening it to a wooden peg, thus the pump is relieved of load.
- Before connection, equip the union nut of the suction hose with the supplied dirt filter (ill. D). First of all remove the flat packing which may be in the union nut.

Note: Alternatively, you can also use the GARDENA Pump Preliminary Filter, art. no. 1730/1731. It is especially recommended for use with highly contaminated or with a very sandy liquid. Filtration of water is essential to prevent the Electronic Manometric Switch from internal contamination, thus avoiding malfunction of the unit.

- In case of permanent, indoor installation of the pump for domestic water supply, in order to reduce noise and to avoid damages at the Manometric Switch caused by vibration, it is recommended to connect the Pressure Tank Unit via flexible suction lines, e.g. in conjunction with the GARDENA Bore Hole Suction Hose, art.no. 1729, to the pipe network but **not firmly via rigid pipes.**

Important! Don't use any hose connection system fittings on the suction side!

Delivery Side 17

- Screw the second pump fitting ③ into the outlet nozzle of the delivery side 17 of Electronic Manometric Switch, and tighten up by hand. Take care that the washer of the pump fitting fits closely to the delivery side.

Note 1: The pump fitting is equipped with a 33.3 mm (G 1) thread to which 13 mm (1/2"), 19 mm (3/4") and 16 mm (5/8") hoses can be connected by using GARDENA hose connection system fittings.
Note 2: Best results regarding the delivery capacity of the pump are achieved when connecting 19 mm (3/4") hoses in conjunction with GARDENA "Profi" Maxi-Flow System fittings (e.g. art.no. 1752) or

when using 25 mm (1") hoses with fittings available from your sanitary dealer.

When **connecting simultaneously several hoses / watering accessories**, we recommend application of our GARDENA Twin-Tap Connector (art.no. 1210) or Four Channel Water Distributor (art.no. 1194) which can be screwed directly onto the pump fitting on the delivery side 17.

6. Starting Operation

Using the pump for the first time

- Set the switch of the backflow valve to **Position 2**.
- Slightly open the release points in the delivery pipe (e.g. spray lance, tap) → air must

be allowed to escape during the suction process.

- Plug the mains plug 14 for the Electronic Manometric Switch into an outlet socket supplying 230 V alternating current.

Caution! The pump immediately starts to run!

- As soon as the pump begins to pump, turn the switch to **Position 1** (normal operation) → ensures fault-free operation of the pump.

7. Safety Hints before Operation



- **Caution:** Pursuant to DIN VDE 0100-702 and 0100-738 use of the pump nearby swimming pools and garden ponds and other similar places is only permissible, if the pump is operated with a residual-current device with a residual-current rating ≤ 30 mA. Please ask your electrician for his advice.
- The pump must be located on solid, even ground, protected from flooding. Take care that the pump cannot fall into water.
- Mains power cables should not have a smaller cross-section than a rubber sheathed cable of the designation H07 RNF. Extension cables must meet the requirements of DIN VDE 0620.
- In Austria, the electrical connections must be made according to ÖVE-EM 42, T2 (2000)/1979 § 22 based on § 2022.1. Pursuant to this regulation it's imperative to operate pumps for swimming pools and garden ponds exclusively via an isolating transformer. Please ask your electrician.
- In Switzerland mobile appliances which are used outdoors, must be connected via a residual-current device.
- When using the pump for domestic water supply, please adhere to the local water and sewerage regulations. In addition observe the regulations of DIN 1988. If necessary, contact your sanitary expert.
- Children under the age of 16 are not allowed to operate the pump. Keep them away from the connected unit.
- Protect the pump from rain. Don't use the pump in wet or moist area.
- Before operating the pump, first make a visual check, if there is any damage of the pump (esp. regarding power cable and plug). A damaged pump must not be used. In case of damage, please have the pump checked by our GARDENA Service Centre or by an authorised electrician.
- Check line voltage. Data indicated on the type plate must match technical data of the mains supply.

8. Function and Display of the Electronic Manometric Switch

The Electronic Manometric Switch is equipped with an electronic control unit with fixed programs. The electronic control unit is activated by pulses from the manometric switch and the flow recognition of the dry-running safety feature.

The manometric switch is set at the factory to a switching pressure of approx. 2.2 bar. This setting cannot be changed. The dry-running safety mechanism protects the pump against damage and controls the time the pump continues to run against the closed delivery side.

The LEDs (light emitting diodes) display the operating status (→ see "Electronic Control Display").

Explanation of Terms

- **Priming cycle**
The pump attempts to restore normal operation in 4 minutes.
- **Automatic self-priming mode (→ yellow Alarm LED flashes)**
After a fault, the pump's electronic control unit makes three automatic self-priming attempts at different time intervals (after 1 hour, after 5 hours and after 20 hours) to restore normal operation.
The **priming cycle** (see above) is used for each of these attempts.
- **Re-plugging (removing the mains plug and then plugging it back in the socket again)**
Important! Remove the plug from the socket! Check the unit and pump for any faults (see section "Finding Faults"). Rectify any faults and restart the pump by plugging the mains plug into a socket supplying 230 V AC.
- **Electronic Control Display Operating Status**

lit *flashing* *flashing quickly*
- **RESET Button** (ill. F 1)
The RESET button is used to reset and restart the pump after a fault.
- **Red Power LED is lit** (ill. F 2)
The pump is connected to the mains power. The pump functions in the normal operating mode.
- **Green LED is lit** (ill. F 3)
The pump is connected to the mains and the pump is running. Once the pump has reached the max. pump pressure, the pump switches off (the green LED extinguishes) and the pump functions in the normal operating mode.
- **Green LED flashing slowly** (once a second) (ill. F 4)
→ The flow rate **on the delivery side** is too low (below 90 l/h).
The pump continues to run and then switches off. It turns on again as soon as the switching pressure of approx. 2.2 bar has been reached (e.g. in the case of a leak).
→ The pump must be switched off just before you finish draining water from the unit.
- **Green LED flashing quickly** (four times a second) (ill. F 5)
→ The flow rate **on the inlet side** is too low (below 400 l/h).
The pump continues to run for approx. 40 seconds. If normal operation is not achieved during this time, the pump switches off and the control unit changes

to the "automatic self-priming mode".
Note: The pump can be switched on again at any time by pressing the RESET button.

- **Yellow LED flashing slowly** (once a second) (ill. F 6)
→ The amount of water is too low when restarting the pump.
The pump runs through the first "priming cycle". If the normal operating mode is not achieved, the pump switches off and the control unit changes to the "automatic self-priming mode".
Note: The pump can be restarted at any time by pressing the RESET button.
- **Yellow LED flashing quickly** (four times a second) (ill. F 7)
→ Alarm which indicates if the amount of water is too low when the pump is operating in the normal mode. The control unit changes to the "automatic self-priming mode".
Note: The pump can be restarted at any time by pressing the RESET button.
- **Yellow LED is lit** (ill. F 8)
→ The "automatic self-priming mode" is no longer active and the unit is no longer supplying water (e.g. no water in the container or borse or the filter is dirty).
Note: The pump can be restarted at any time by pressing the RESET button or by "re-plugging".
- **Green and yellow LEDs flashing quickly and alternately** (four times a second) (ill. F 9)
→ Warning: There is a leak in the pipe system.

The pump switches on and off because of a leak. If the pump switches on and off more than 7 times within 2 minutes, the control unit issues a warning via flashing LEDs and the motor switches itself off.
Note: The pump can only be restarted by “re-plugging”.

- Pump and suction hose are not filled up with the liquid to be pumped
- Backflow valve switch set to **position 2** and was not set to **position 1** once the pump began pumping
- Suction hose end is not submerged into the liquid
- Outlet too low
- Suction hose or connections are not water-tight
- Suction filter clogged
- Air cannot escape on delivery side since release points are closed etc.
- Delivery pipe or consumer are not water-tight

→ The pump switches on and off because of a leak. If the pump switches on and off more than 7 times within 2 minutes, the control unit issues a warning via flashing LEDs and the motor switches itself off.

Clear the fault. Plug in the pump in order to start again operation of the pump.

Shouldn't the pump start priming, although you have repeatedly pressed the **RESET** button, please contact one of our GARDENA Service Centres (addresses you will find on the rear side).

Finding Faults


Important! Unplug the pump. Check the pump for possible faults such as:
→ Faulty or leaking back-flow preventer at the end of the suction hose

9. Operation Hints

- **Don't use the power cable for carrying the pump or for plugging off. Protect the power cable from heat, oil and sharp edges.**
- **Please unplug the pump after operation and before carrying out any maintenance works.**
- **In order to avoid dry-running of the pump, take care that the end of the suction hose is always submerged into the liquid.**
- The temperature of the liquid to be pumped must not exceed **35 °C**.
- Sand and other abrasive substances in the liquid cause increased **wear and reduce the pump's output**.
- The pump is **not designed for continuous operation** (e.g. industrial application, continuous circulating operation).
- The minimum flow rate is 90 l/h (= 1.5 l/min). Watering accessories with lower rate must not be operated.

- When using the pump for pressure intensification, the **max. permissible internal pressure of 6 bar** (on the delivery side) must not be exceeded. The to be increased delivery pressure and the pump pressure sum up. Example: pressure at the water tap 1.5 bar, max. pressure of the GARDENA Pressure Tank Unit 4000/4 electronic plus 4.2 bar, total pressure 5.7 bar.

10. Maintenance, Care, Storage (ill. B/C)

 **Attention! Disconnect the plug from the mains before carrying out any work on the pump!**

A turbine clogged by contamination can be released by using a screwdriver to turn over the turbine axle ⑫ (observe the arrow on the casing indicating the direction of rotation). If this is not possible any more, the turbine space can be cleaned by opening the

screws ⑨ and removing the casing cover ⑩. The turbine ⑪ can be removed if necessary, by using a screwdriver to hold the turbine axle ⑫ in place while loosening the turbine ⑪ with a ring spanner at the same time.

When assembling, take care that the parts are re-assembled corresponding to the sequence of the disassembly.

Before the first frost sets in, the pump should be drained via the water drain screw ①. Store it protected from frost.


To empty the Electronic Manometric Switch ⑤ put the rotary switch ⑬ in position 2 and open the water drain screw ①.

11. Recommended Accessories

- **GARDENA Suction Hoses**
Kink- and vacuum-resistant, sold by the metre with 19 mm (3/4") or 25 mm (1") diameter without fittings or in fixed length, complete with fittings.
- **GARDENA Suction Hose Fittings (art. no. 1723/1724)/ Suction Filter with Backflow Preventer (art. no. 1726/1727/1728)**
To equip suction hoses sold by the metre.
- **GARDENA Pump Preliminary Filter, art. no. 1731**
Recommended for pumping sandy liquids.
art. no. 1730, recommended for pumping sandy liquids and higher water quantities.

- **GARDENA Bore Hole Suction Hose, art. no. 1729**
For vacuum-resistant connection of the pump to boreholes or pipe networks. Length 0.5 m. With 33.3 mm (G 1) female thread at both ends.

12. Trouble-Shooting

Problem	Probable cause	Remedy
Pump motor runs, but delivery capacity or pressure suddenly decreases.	Leaks at suction side.	Eliminate leak.
	Suction filter at the suction hose is totally or partly sucked free.	To adjust the flow rate of the suction side to the delivery side, reduce the flow rate at the pump's delivery side ⑰. Observe min. flow rate (see section 9).
	Suction filter or backflow preventer clogged.	Clean filter or backflow preventer.
Pump doesn't deliver water.	Turbine clogged.	Unplug and clean the turbine (see point 10).
	Leaks at suction side.	Eliminate leak.
Pump switches on and off continuously if liquid is drawn at a rate greater than 400 l/h.	Dirt has collected on the impeller.	1. Remove manometric switch from pump. 2. Return valve set to position 2. 3. Rinse manometric switch
	No power.	Check fuses and electric connections.
Pump doesn't start or suddenly stops during operation.	Circuit breaker has cut out the pump because of overloading.	Disconnect at the mains and clean the turbine (refer to "Maintenance, Care and Storage"). Observe max. liquid temperature (35 °C).
	Electric failure.	Send the pump to one of our GARDENA Service Centres.
Electronic Manometric Switch calcified.		 First disconnect the plug at the mains! Then lower the pressure, e. g. by opening a consumer. Decalcify the Electronic Manometric Switch. Unplug it, disconnect the pressure hose / pressure

line and fill antiliming agent or a mixture of water and vinegar into the pump using the delivery outlet ⑥. Afterwards rinse thoroughly.

Pump constantly cuts in and out without drawing water.

Leak on the pressure side.

Check the pressure line and connected consumers for leaks. The non-return valve shall be at position 1 when localising faults.
Note: Even the smallest leak (loss of a few mls) can cause the pressure in the pump to drop. The cause of this is often small leaks at taps and toilet flushing cisterns.

There being deposits of dirt in in Electronic Manometric Switch.

Loosen the Electronic Manometric Switch from the pump. Turn the non-return valve ⑬ to **position 2**.
Clean the non-return valve, e.g. by flushing in the direction of flow.

Pump does not cut out.

Rotary switch / non-return valve is set to position 2.

Set the rotary switch to **position 1**.

Non-return valve of the Electronic Manometric Switch is blocked.

Clean the non-return valve, e.g. by flushing in the direction of flow.

Larger leaks on the pressure side.

Rectify leaks.

Pump doesn't start working.

Outlet end (e.g. water accessory) is closed. There is sufficient water pressure in the pressure line.

Open the outlet end.

If you have any problems with your Pressure Tank Unit, please contact our Service or return the defective unit together with a short description of the problem – in case of guarantee, with a copy of the receipt – postage paid to one of the GARDENA Service Centres listed on the back of this leaflet.

Note: The pump can also be operated without the Electronic Manometric Switch ⑤ by plugging the mains plug for the pump ⑬ into the mains socket. If the fault is caused by the Electronic Manometric Switch, then it is sufficient to forward this to the appropriate servicing office.

We expressly point out that, in accordance with the product liability law, we are not liable for any damage caused by our units if it is due to improper repair or if parts exchanged are not original GARDENA parts or parts approved by us, and if the repairs were not carried out by a GARDENA Service Centre or an authorised electrician. The same applies to spare parts and accessories.

EU Certificate of Conformity

The undersigned

GARDENA Kress + Kastner GmbH · Hans-Lorenser-Str. 40 · D-89079 Ulm

hereby certifies that, when leaving our factory, the units indicated below are in accordance with the harmonised EU guidelines, EU standards of safety and product specific standards.

This certificate becomes void if the units are modified without our approval.

Description of the units:
Pressure Tank Unit

Directive 93/68/EC
Directive 2000/14/EC

Year of CE marking:
1996

Types:
4000/4 electronic plus
4000/5 electronic plus

Harmonised European standards:

EN 292-1
EN 292-2
EN 60335-1
EN 60335-2-41

Ulm, 21.02.2002

Art. nos.:
1482 / 1484

EU directives:
Machinery Directive 98/37/EC
Electromagnetic Compatibility
89/336/EC
Low Voltage Directive 73/23/EC

Noise level:
measured / guaranteed
1482 77 / 78 dB (A)
1484 79 / 80 dB (A)



Thomas Heint
Technical Dept. Manager

D

Garantie

GARDENA gewährt für dieses Produkt die gesetzliche Garantie (ab Kaufdatum). Diese Garantieleistung bezieht sich auf alle wesentlichen Mängel des Gerätes, die nachweislich auf Material- oder Fabrikationsfehler zurückzuführen sind. Sie erfolgt durch die Ersatzlieferung eines einwandfreien Gerätes oder durch die kostenlose Reparatur des eingesandten Gerätes nach unserer Wahl, wenn folgende Voraussetzungen gewährleistet sind:

- Das Gerät wurde sachgemäß und laut den Empfehlungen in der Gebrauchsanweisung behandelt.
- Es wurde weder vom Käufer noch von einem Dritten versucht, das Gerät zu reparieren.

Die Verschleißteile Turbine und Filter sind von der Garantie ausgeschlossen.

Diese Hersteller-Garantie berührt die gegenüber dem Händler/Verkäufer bestehenden Gewährleistungsansprüche nicht.

GB

Guarantee

GARDENA honours the guarantee legally required for this product (starting from the date of purchase). This guarantee covers all serious defects of the unit that can be proved to be material or manufacturing faults. Under guarantee we will either replace the unit or repair it free of charge if following conditions apply:

- The unit must have been handled properly and in keeping with the requirements of the operating instructions.
- Neither the purchaser or a non-authorised third party have attempted to repair the unit.

The turbine and the filter are wearing parts and are not covered by the guarantee.

This manufacturer's guarantee does not affect the user's existing warranty claims against the dealer/seller.

F

Garantie

GARDENA accorde pour cet appareil la garantie légale à compter du jour de l'achat. Elle comprend le remplacement gratuit des pièces défectueuses ou de l'appareil, le choix en étant laissé à la libre initiative de GARDENA. En tout état de cause s'applique la garantie légale couvrant toutes les conséquences des défauts ou vices cachés (article 1641 et suivants du Code Civil).

Pour que ces garanties soient valables, les conditions suivantes doivent être remplies :

- L'appareil a été manipulé de manière adéquate, suivant les instructions du mode d'emploi.
- Il n'y a eu aucun essai de réparation, ni par le client, ni par un tiers.

La turbine et le filtre sont des pièces d'usure et sont par conséquent exclus de la garantie.

Une intervention sous garantie ne prolonge pas la durée initiale de la garantie contractuelle.

Toutes les revendications dépassant le contenu de ce texte ne sont pas couvertes par la garantie, quel que soit le motif de droit.

Pendant la période de garantie, le Service Après-Vente effectuera, à titre payant, les réparations nécessaires par suite de manipulations erronées.

NL

Garantie

GARDENA geeft op dit product de wettelijke garantie (vanaf de aankoopdatum). Deze garantie heeft betrekking op alle wezenlijke defecten aan het toestel, die aanwijsbaar op materiaal- of fabricagefouten berusten. Garantie vindt plaats door de levering van een vervangend apparaat of door de gratis reparatie van het ingestuurde apparaat, naar onze keuze, indien aan de volgende voorwaarden is voldaan:

- Het apparaat werd vakkundig en volgens de adviezen in de gebruiksaanwijzing behandeld.
- Noch de koper, noch een derde persoon heeft getracht het apparaat te repareren.

De aan slijtage onderhevige turbine en het filter vallen niet onder de garantie.

Deze garantie van de producent heeft geen betrekking op de ten aanzien van de handelaar/verkoper bestaande aansprakelijkheid.

S

Garanti

GARDENA lämnar garanti enligt gällande lag för denna produkt (gällande från inköpsdatum). Denna garanti täcker alla allvarliga defekter på maskinen som kan bevisas vara materiella fel eller tillverkningsfel. Under garantitiden repareras eller utbytes enheten utan kostnad under följande förutsättningar:

- Enheten måste ha skötts och använts i enlighet med bruksanvisningen.
- Varken köparen eller en icke auktoriserad tredje part får ha försökt reparera enheten.

Deutschland

GARDENA Kress + Kastner GmbH
GARDENA Service
Hans-Lorenser-Straße 40
D-89079 Ulm
Produktfragen: (07 31) 490-123
Reparaturen: (07 31) 490-290

Argentina

Argensem S.A.
Venezuela 1075
(1618) El Talar - Buenos Aires

Australia

NYLEX Corporation Ltd.
25-29 Nepean Highway
P.O. Box 68
Mentone, Victoria 3194

Austria

GARDENA Österreich Ges. m.b.H.
Stettnerweg 11-15
2100 Korneuburg

Belgium

MARKT (Belgium) NV/SA
Sterrebeekstraat 163
1930 Zaventem

Brazil

M. Cassab
Av. das Nações Unidas, 20.882
Santo Amaro, CEP 04795-000
São Paulo - S.P.

Bulgaria / България

ДЕНЕКС ООД
Бул. "Г.М.Димитров" 16 ет.4
София 1797

Canada

GARDENA Canada Ltd.
100, Summerlea Road
Brampton, Ontario
Canada L6T 4X3

Chile

Antonio Martinic Y CIA. LTDA.
Gilberto Fuenzalida 185 Loc.
Las Condes - Santiago de Chile

Costa Rica

Compania Exim
Euroiberoamericana S.A.
350 Sur del Automercado
Los Yoses
San Pedro

Cyprus

FARMOKIPIKI LTD
P.O. Box 7098
74, Digeni Akrita Ave.
1641 Nicosia

Czech Republic

GARDENA spol. s.r.o.
Řípská 20
62700 Brno

Denmark

GARDENA Danmark A/S
Naverland 8
2600 Glostrup

Finland

Habitec Oy
Martinkyläntie 52
01720 Vantaa

France

GARDENA France
Service Après-Vente
BP 50080
95948 ROISSY CDG Cedex

Great Britain

GARDENA UK Ltd.
27-28 Brenkley Way
Bleazard Business Park
Seaton Burn
Newcastle upon Tyne
NE13 6DS

Greece

Agrokrip G. Psomadopoulos & Co.
20, Lykourgou str.
Kallithea - Athens

Hungary

GARDENA Magyarország Kft.
Késmárk utca 22
1158 Budapest

Iceland

Heimilistaeki hf
Saetun 8
P.O. Box 5340
125 Reykjavik

Republic of Ireland

Michael McLoughlin & Sons
Hardware Limited
Long Mile Road
Dublin 12

Italy

GARDENA Italia S.r.l.
Via Donizetti 22
20020 Lainate (Mi)

Japan

KAKUDAI Mfg. Co. Ltd.
1-4-4, Itachibori Nishi-ku
Osaka 550

Luxembourg

Magasins Jules Neuberg
Grand Rue 30
Case Postale No. 12
Luxembourg 2010

Netherlands

GARDENA Nederland B.V.
Postbus 50176
1305 AD ALMERE

Neth. Antilles

Jonka Enterprises N.V.
Sta. Rosa Weg 196
P.O. Box 8200
Curaçao

New Zealand

NYLEX New Zealand Limited
Private Bag 94001
South Auckland Mail Centre
10 Offenhauser Drive
East Tamaki, Manukau

Norway

GARDENA Norge A/S
Postboks 214
2013 Skjetten

Poland

GARDENA Polska Sp. z o.o.
Szymanów 9 d
05-532 Baniocza

Portugal

MARKT (Portugal), Lda.
Recta da Granja do Marquês
Edif. GARDENA
Algueirão
2725-596 Mem Martins

Russia / Россия

АО АМИДА ТТЦ
ул. Мосфилмовская 66
117330 Москва

Singapore

Variware
Holland Road Shopping Centre
227-A 1st Fl., Unit 29
Holland Avenue
Singapore 1027

Slovenia / Croatia

Silk d.o.o. Trgovina
Brodišče 15
1236 Trzin

South Africa

GARDENA South Africa (Pty.) Ltd.
P.O. Box 11534
Vorna Valley 1686

Spain

ANMI Andreu y Miriam S.A.
Calle Pere IV, 111
08018 Barcelona

Sweden

GARDENA Svenska AB
Box 9003
20039 Malmö

Switzerland

GARDENA Kress + Kastner AG
Bitziberg 1
8184 Bachenbülach

Ukraine / Украина

АОЗТ АЛЬЦЕСТ
ул. Гайдара 50
г. Киев 01033

Turkey

Dost Diş Ticaret Müessesilik A.Ş.
Yeşilbağlar Mah. Başkent
Cad. No. 26
Pendik - İstanbul

USA

GARDENA
3085 Shawnee Drive
Winchester, VA 22604

1482-20.960.08/0021
GARDENA Kress + Kastner GmbH
Postfach 27 47, D-89070 Ulm
<http://www.gardena.com>

Free Manuals Download Website

<http://myh66.com>

<http://usermanuals.us>

<http://www.somanuals.com>

<http://www.4manuals.cc>

<http://www.manual-lib.com>

<http://www.404manual.com>

<http://www.luxmanual.com>

<http://aubethermostatmanual.com>

Golf course search by state

<http://golfingnear.com>

Email search by domain

<http://emailbydomain.com>

Auto manuals search

<http://auto.somanuals.com>

TV manuals search

<http://tv.somanuals.com>