

INSTALLATION INSTRUCTIONS

Product

GD8000 Docking Station

7160-0194-01, -02, -03, -04, -05, -06

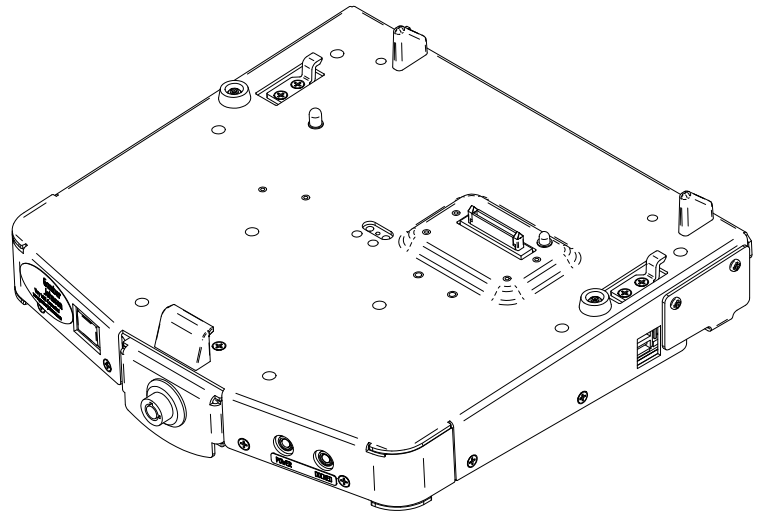
Revision

Rev. C

Form

INST-437

This instruction sheet is for the GD8000 docking station.



**These instructions are for the docking station only. For instructions on features, set-up and operation of the GD8000 computer, please refer to the manuals provided by General Dynamics Itronix with the computer.*

*** This docking station is designed to be used with a variety of Gamber-Johnson mounting systems. Installation instructions for other Gamber-Johnson products are provided with each individual product.*

IMPORTANT SAFETY INFORMATION for INSTALLERS

Safety is dependent on the proper installation and servicing of this docking station. It is important to read and follow all instructions before installing this product.

To properly install a Gamber-Johnson docking station you must have a good understanding of automotive electrical procedures and systems, along with proficiency in the installation and service of aftermarket vehicle equipment.

There are no adjustments required at any time of the electrical components within the docking station. ***Opening the docking station will void the product warranty.***

Product Mounting Disclaimer

Gamber-Johnson is not liable under any theory of contract or tort law for any loss, damage, personal injury, special, incidental or consequential damages for personal injury or other damage of any nature arising directly or indirectly as a result of the improper installation or use of its products in vehicle or any other application. In order to safely install and use Gamber-Johnson products full consideration of vehicle occupants, vehicle systems (i.e., the location of fuel lines, brakes lines, electrical, drive train or other systems), air-bags and other safety equipment is required. Gamber-Johnson specifically disclaims any responsibility for the improper use or installation of its products not consistent with the original vehicle manufactures specifications and recommendations, Gamber-Johnson product instruction sheets, or workmanship standards as endorsed through the Gamber-Johnson Certified Installer Program.

If you need assistance or have questions, call Gamber-Johnson at 1-800-456-6868

During Installation

- DO NOT connect this docking station to the vehicle battery until:
 1. ALL other electrical connections are made
 2. Mounting of ALL components is complete
 3. VERIFICATION that no shorts exist in the entire system
- DO NOT install equipment or route wiring or cords in the deployment path of any air bag.
- When drilling into the vehicle, DO make sure that both sides of the surface are clear of anything that could be damaged.

CAUTION: If wiring is shorted to the frame, high current conductors can cause hazardous sparks resulting in electrical fires or flying molten metal.

After Installation

- Test the docking station to ensure that it is working properly.

File these instructions in a safe place and refer to them when performing maintenance or re-installing.

WARNING: Failure to follow all safety precautions and instructions may result in property damage, serious injury or death.

PRE-INSTALLATION RECOMMENDATIONS

Conduct a "Bench Test"

Gamber-Johnson strongly advises a "bench test" be conducted to verify that all electronic and software issues are resolved prior to installation:

1. Make sure computer is operational by itself.
2. Insert computer into docking station and verify that the computer is operating in the dock.
3. Interconnect entire assembly and verify start-up of all components, including other equipment (printers, modems, scanners, etc.).

**Gamber-Johnson also recommends positioning of all mounts and equipment in the vehicle prior to the actual install to verify that mounting locations are safe and practical.*

POWER SUPPLY INFORMATION

This docking station has a built-in power supply and is designed to be used with an 11 - 28 volt DC system. The voltage output is factory set at 19 volts and current limited to 4.5 amps. Power is provided using the wires located on the back side of the docking station.

WIRING INSTRUCTIONS

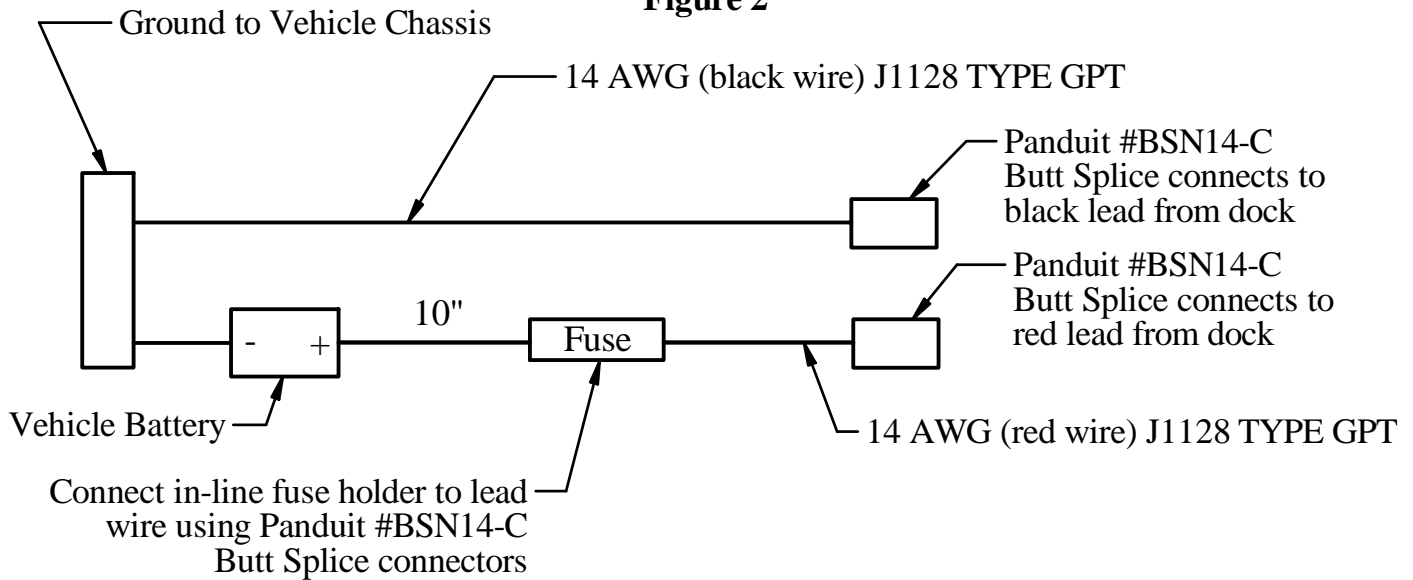
*IMPORTANT: Make sure that you have read this entire section before you begin wiring!
Refer to Figure 2*

1. Install docking station into vehicle, making sure that all bolts are tight.
2. Attach the BLACK ground wire to the location where the vehicle battery grounds to vehicle chassis.
3. Attach the RED wire to the supply voltage (V+) from the vehicle.

IMPORTANT REMINDERS:

- Use only SAE J1128 Type GPT number 14 AWG stranded wire (minimum) to attach the docking station to the vehicle's electrical system.
- Connect lead wires to the disconnect pigtail using the butt splice connectors provided with the docking station. *Caution: The butt splice connections must be made as close to the docking station as possible using the disconnect pigtail provided with the docking station. The disconnect must be easily accessible. When assembling the butt splice connectors use only Panduit crimp tools CT-100, CT-600, CT-1525, CT-1550 OR CT-1551.*
- Route the lead wires to the battery. Total wire in the circuit must not exceed 30 feet and must conform to SAE standard J1128.
- Protect the lead wires from abrasion and chafing by using wire loom or conduit, and route away from moving parts or areas where high temperatures may occur.
- Connection of the supply voltage (V+) must be kept as close to the battery as possible.
- The power connection must be made with the 10 amp in-line fuse and fuse holder provided with the dock. Connect the fuse holder to the lead wire using the butt splice connectors provided with fuse holder. *When assembling the butt splice connectors use only Panduit crimp tools CT-100, CT-600, CT-1525 or CT-1551.*
The fuse holder location must be kept within 10 inches of the connection to the battery positive, away from moving parts, and temperatures that exceed 180 degrees F.
Caution: If the fuse holder requires replacement it should be replaced by qualified service personnel using Littlefuse part number FHMI (Gamber-Johnson part number 11689). This device conforms to ASTM standard D471 and SAE standard J1128.
- Fuse must be inserted in supplied fuse holder. *Caution: For continued protection against risk of fire replace only with the same type and rating of supplied fuse. The provided fuse is UL Listed, rated at 10 amp, 32 volt AC/DC fast acting.*
- If a timing device is used follow the instructions of the manufacturer of that device. It must be wired in-line with the supply voltage (V+) to the docking station.
- If you have any installation questions, please call Gamber-Johnson customer support at 1-800-456-6868

Figure 2

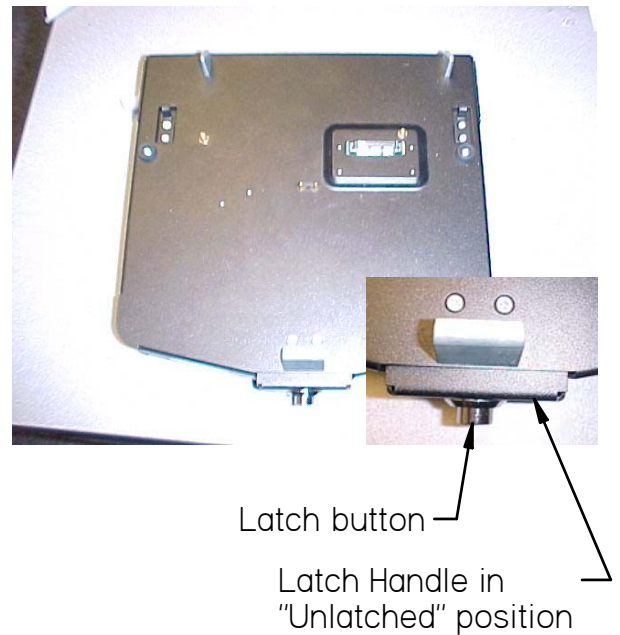


Inserting the computer into the vehicle dock

1. Make sure the latch handle is in the "Unlatched" position. If you received the dock in the latched position, you will need to unlatch it before inserting the computer.

To unlatch the dock, press the latch button and pull forward on the latch handle. The latch handle should move forward about 1/4". (See Figure 3)

Figure 3



2. Insert the computer: (See Figure 4)
- Align the center notch in the computer with the front retaining hook.
 - Lower the back of the computer down onto the locating pins and docking connector. Press downward slightly to make sure the computer is resting on the bumpers mounted on the deck.

Figure 4



Figure 5

3. Push the latch handle in until the latch catches and holds the handle. You should hear an audible click when the latch engages. (See Figure 5.)

The push button latch can be locked for added security.



Undocking and removing a computer (*Without LAN Usage*) from the vehicle dock

1. Make sure the latch button is unlocked. (Unlock with key if locked).
2. Push in and hold the latch button.
3. With the latch button pushed in, pull out on the latch handle.
4. Lift the back of the computer up and lift it out of the Vehicle Dock.

Undocking and removing an Operating computer (*With LAN Usage*) from the vehicle dock (*It is important to do an orderly shutdown when using a LAN computer*)

1. Click on the Undock Computer tab listed on the start menu. (See Figure 6.)
2. Wait until the Undock Complete window pops up on the computer screen. Once the window pops up it is safe to remove the computer from the dock. (See Figure 7.)
3. On 7160-0194-05 & 7160-0194-06 units turn the power switch (on the front of the dock) to the off position.
4. Make sure the latch button is unlocked. (Unlock with key if locked).
5. Push in and hold the latch button.
6. With the latch button pushed in, pull out on the latch handle.
7. Lift the back of the computer up and lift it out of the Vehicle Dock.

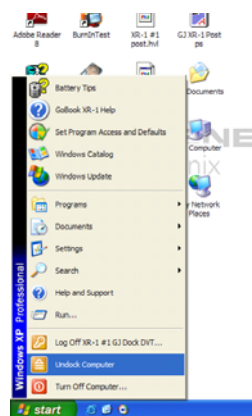


Figure 6

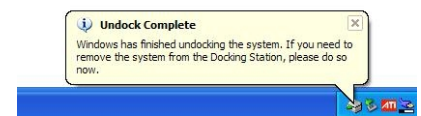
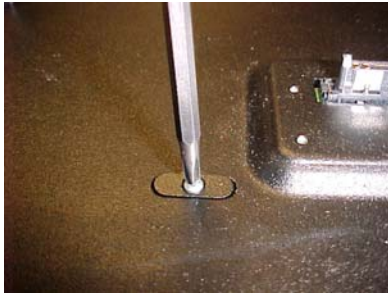


Figure 7

External Antenna Options

The GD8000 vehicle dock gives you the option of blocking either one or both of the external antenna connectors from contacting the mechanical RF switches in the computer. This may be required if the external antennas are not yet available or you do not want to switch to an external antenna.

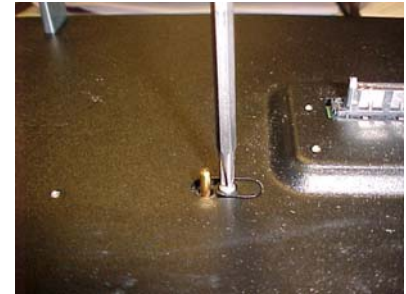
To block the contact(s), place one of the provided caps over the appropriate pins on the external antenna connector and use the provided screw to install it into the dock.



Dual Cap blocks both contacts



Single Cap positioned to block WLAN contact



Single Cap positioned to block WWAN contact

Cable Restraint

Attach the peripheral cables to the cable restraint bracket with the cable ties provided in the hardware bag.

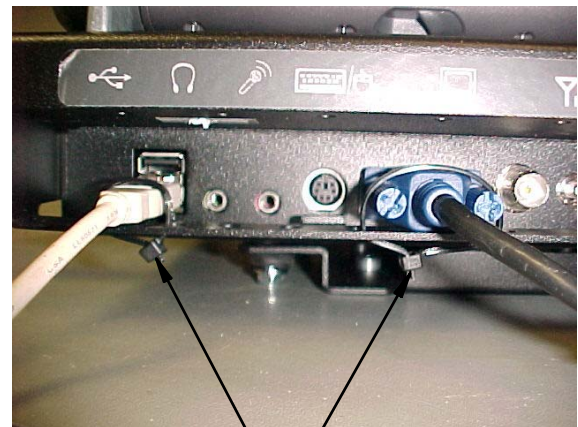


Figure 8

CABLE TIES

Dock Indicating LED's

POWER LED is on when dock has external power and the latch is in the closed position (with or without computer in dock). DOCK LED is on when the condition above is met and the computer is docked and is turned on. Note: Units 7160-0194-05 and 7160-0194-06 have a manual switch that needs to be turned on as well.

Free Manuals Download Website

<http://myh66.com>

<http://usermanuals.us>

<http://www.somanuals.com>

<http://www.4manuals.cc>

<http://www.manual-lib.com>

<http://www.404manual.com>

<http://www.luxmanual.com>

<http://aubethermostatmanual.com>

Golf course search by state

<http://golfingnear.com>

Email search by domain

<http://emailbydomain.com>

Auto manuals search

<http://auto.somanuals.com>

TV manuals search

<http://tv.somanuals.com>