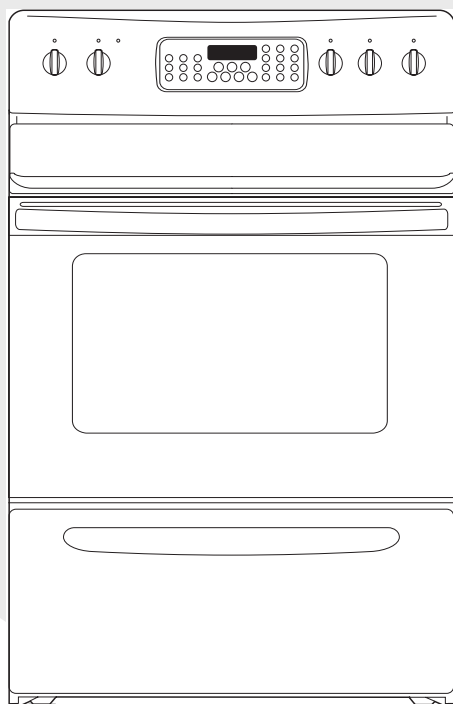


Frigidaire

Factory Parts Catalog



Product No.	FEFL79JBA	FEFL79JQA	FEFL79JSA
Series	30" f/s elec	30" f/s elec	30" f/s elec
Color	black	bisque	white
Market	North America	North America	North America
Owner's Guide	316417061	316417061	316417061
Installation Instructions	316454912	316454912	316454912
Service Data Sheet	316519936	316519936	316519936

Electrolux

Electrolux Major Appliances
North & Latin America
P.O. BOX 212378
AUGUSTA, GA 30917

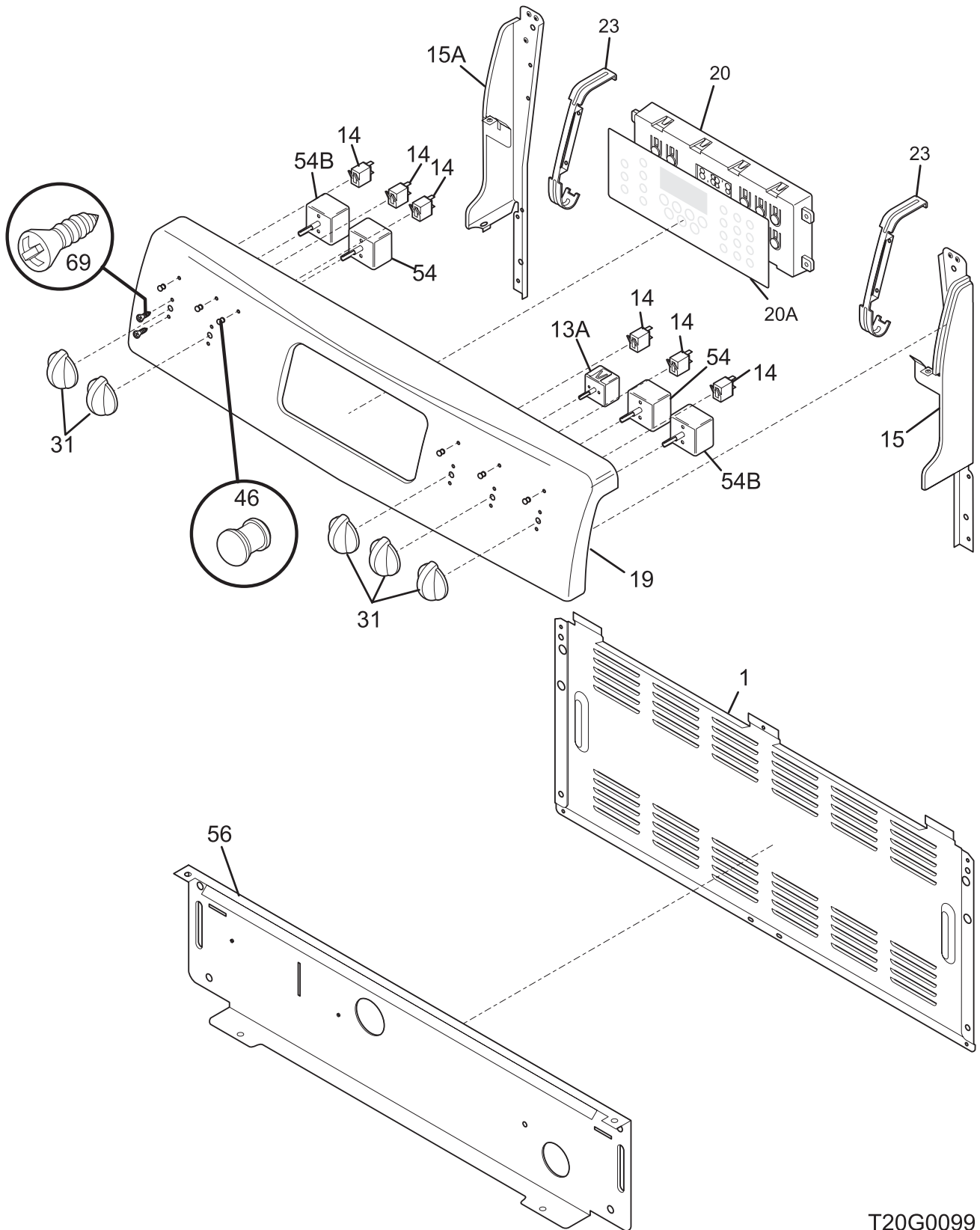
Publication No.
5995516753
08/06/10
(EN/SERVICE/BJH)
369

**30-INCH FREE-
STANDING ELECTRIC
RANGE**

**Model No.
FEFL79J**

Copyright © 2008 Electrolux Home Products, Inc.
All rights reserved.

BACKGUARD



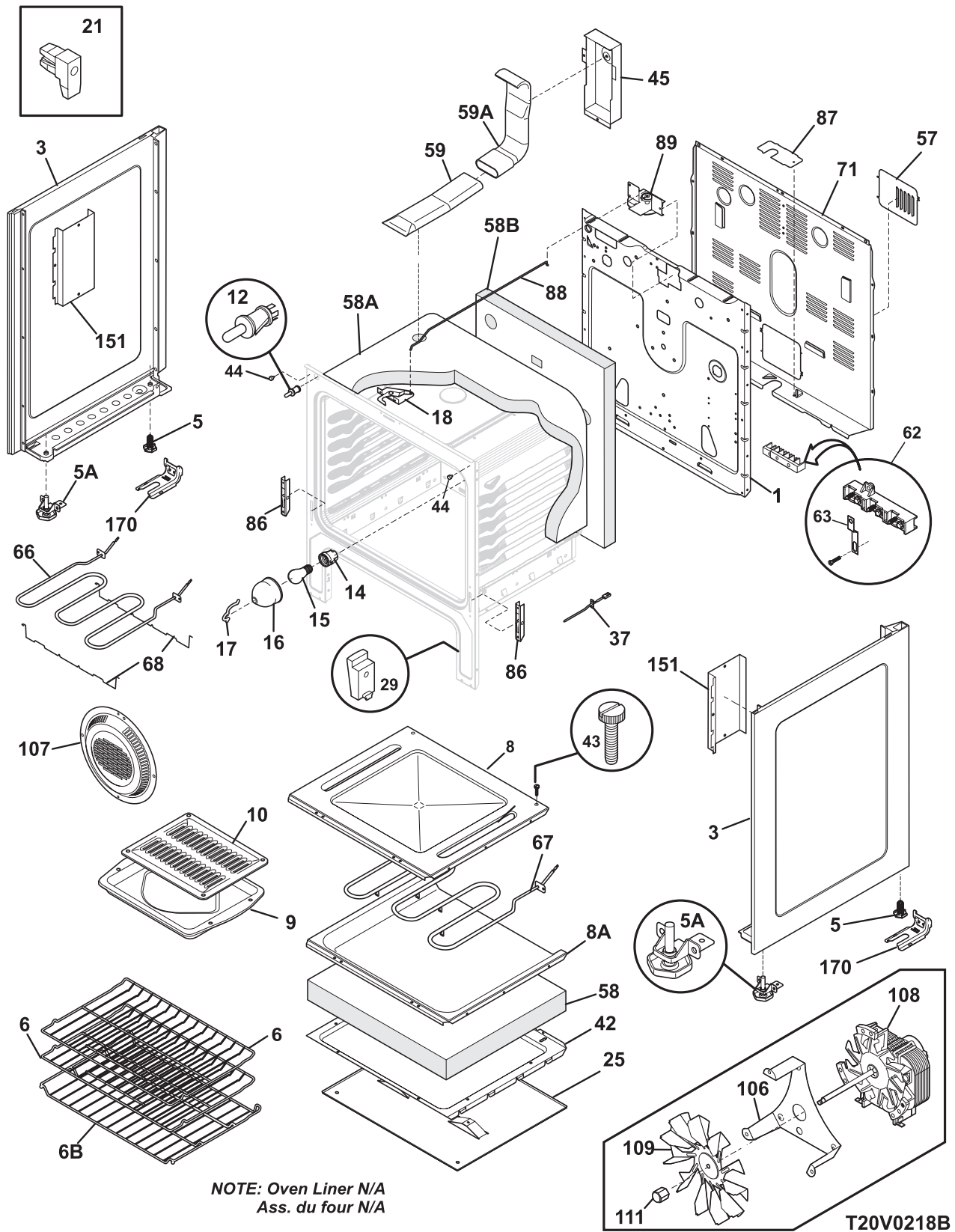
T20G0099

BACKGUARD

Model Index: A FEFL79J (FEFL79JBA)
 B FEFL79J (FEFL79JQA)
 C FEFL79J (FEFL79JSA)

POS. NO	PART NO.		DESCRIPTION
1	316416100	A B C	Shield, backguard, rear wall
13A#	316095503	A B C	Switch, infinite, warmer
14	316022500	A B C	Light/Lamp, indicator, 125 V
15	316411405	A - -	Support, backguard, black, RH
15	316411407	- B -	Support, backguard, bisque, RH
15	316411403	- - C	Support, backguard, white, RH
15A	316411404	A - -	Support, backguard, black, LH
15A	316411406	- B -	Support, backguard, bisque, LH
15A	316411402	- - C	Support, backguard, white, LH
19	316436266	A - -	Panel, control, black
19	316436267	- B -	Panel, control, bisque
19	316436265	- - C	Panel, control, white
20 #	316462868	A B C	Clock/Timer, electronic, ES530
20A	316419704	A - -	Overlay, clock, black, ES510
20A	316419706	- B -	Overlay, clock, bisque, ES510L
20A	316419705	- - C	Overlay, clock, white, ES510
23	316419200	A B C	Bracket, clock, (2)
31	316223002	A - -	Knob, control, black
31	316223003	- B -	Knob, control, bisque
31	316223000	- - C	Knob, control, white
46	316437800	A B C	Lens-light/lamp, indicator, clear
54 #	316436000	A B C	Switch, infinite, small element
54B#	316238200	A B C	Switch, infinite, dual
56	316234013	A - -	Shield, backguard, black, inner
56	316234014	- B -	Shield, backguard, bisque, inner
56	316234012	- - C	Shield, backguard, white, inner
69	5303288565	A B C	Screw, truss sqdr, 8-32 x 3/16, switch mtg
*	316021105	A B C	Screw, hex head cup pt, 8-18 x 0.375, black
*	316021109	A B C	Screw, 8-18 x 0.5, chrome
*	316021110	A B C	Screw, 8-18 x 0.5, black

BODY

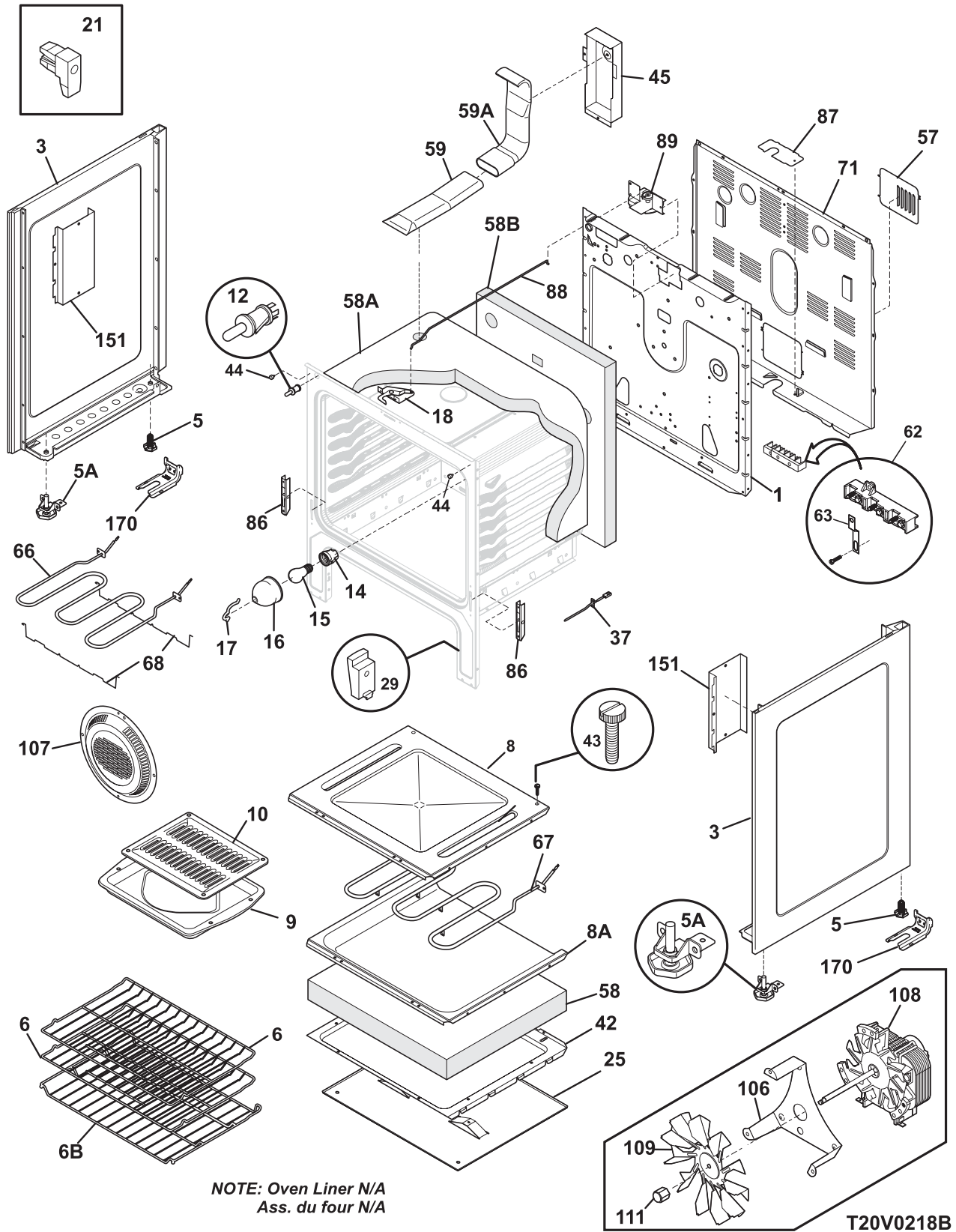


BODY

Model Index: A FEFL79J (FEFL79JBA)
 B FEFL79J (FEFL79JQA)
 C FEFL79J (FEFL79JSA)

POS. NO	PART NO.		DESCRIPTION
1	316401800	A B C	Panel, main back
3	316400118	A - -	Panel, bodyside, black, RH
3	316400119	A - -	Panel, bodyside, black, LH
3	316400120	- B -	Panel, bodyside, bisque, RH
3	316400121	- B -	Panel, bodyside, bisque, LH
3	316400116	- - C	Panel, bodyside, white, RH
3	316400117	- - C	Panel, bodyside, white, LH
5	316272900	A B C	Screw, leveling, plastic, rear, (2)
5A	316498900	A B C	Leveling Leg Assy, metal, front, (2), bracket & leg
6	316496201	A B C	Rack, oven, (2)
6B	316496205	A B C	Rack, oven
8	316400601	A B C	Panel, oven bottom
8*	316064600	A B C	Support, oven bottom
8A	316411104	A B C	Base, bake element
9	316081900	A B C	Pan, broilerOPTIONAL ACCESSORY
10	316082000	A B C	Insert, broiler panOPTIONAL ACCESSORY
12	316445500	A B C	Switch, oven light, door frame
14	316116400	A B C	Receptacle, oven light
15	316538901	A B C	Lamp, oven light
16	08011086	A B C	Lens, oven light, glass
17	316087500	A B C	Retainer, lens
18 #	316405800	A B C	Latch Assembly, oven door
21	316408000	A B C	Clip, bodyside
25	316406200	A B C	Shield, heat, lower
29	316407301	A B C	Glide, drawer, front
37 #	316490000	A B C	Probe, oven temp
42	316407700	A B C	Shield, wool, lower
43	3131732	A B C	Screw, 8-18 x 1.438, oven bottom
44	316517600	A B C	Spacer, oven door
45	316234100	A B C	Shield, wire, vent tube
57	316457801	A B C	Cover, access
58	316403802	A B C	Insulation, oven sump
58A	316406602	A B C	Insulation, oven wrapper
58B	316406500	A B C	Insulation, oven back
59	316208401	A B C	Vent Tube, assembly, w/catalyst
59A	316208304	A B C	Tube, oven vent, upper
62 #	5303935271	A B C	Terminal Block Kit
62*	316001003	A B C	Screw, ground wire
62*	316205500	A B C	Nut, hex flange, 3/8 10-32
62*	316542200	A B C	Insulator
63	316542600	A B C	Plate, grounding strap
66 #	316430900	A B C	Element, broil, 4000W
67	316413800	A B C	Element, bake, hidden
68	316429100	A B C	Support, element, broil
71	316422304	A B C	Shield, rear wall
86	316441300	A B C	Receptacle, hinge
86*	316418901	A B C	Screw, trilobe, 10-32 x 5/16"
87	316081200	A B C	Bracket, cable mtg

BODY

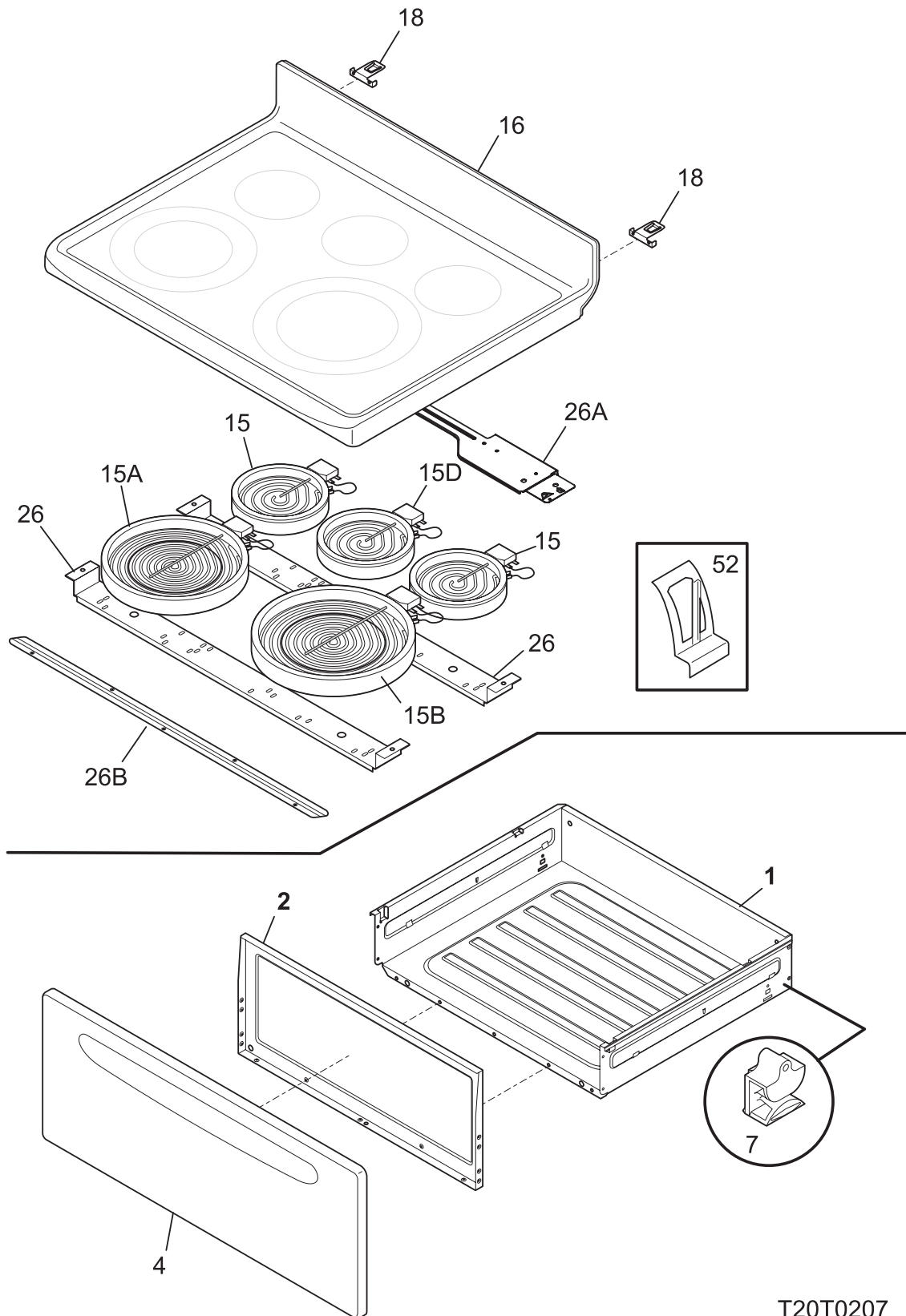


BODY

Model Index: A FEFL79J (FEFL79JBA)
 B FEFL79J (FEFL79JQA)
 C FEFL79J (FEFL79JSA)

POS. NO	PART NO.		DESCRIPTION
88	316203500	A B C	Rod, auto latch
89 #	316464300	A B C	Motor-latch
106	316404100	A B C	Bracket, motor mtg.
107	316026701	A B C	Cover, fan
108#	316415800	A B C	Motor, fan
109	316136400	A B C	Blade, fan
111	316136600	A B C	Nut, fan retainer
151	316404600	A B C	Shield, bodyside
170	316112003	A B C	Anti Tip Kit, assembly
170*	316107200	A B C	Bracket, anti-tip
170*	316112500	A B C	Template, anti-tip
170*	316116000	A B C	Screw, concrete, 1.75", anti-tip brkt
* #	316506241	A B C	Wiring Harness, main
*	316231800	A B C	Cover, hole, conv. element
*	316021105	A B C	Screw, hex head cup pt, 8-18 x 0.375, black
*	316021110	A B C	Screw, 8-18 x 0.5, black
*	316021132	A B C	Screw, 8-18 X 11/16, black
*	316089500	A B C	Screw, 10-16 x .486
*	5303285179	A B C	Screw, wafer head, 8-32T x 0.500, black
*	5308014215	A B C	Screw, 6-20 x 0.312

TOP/DRAWER



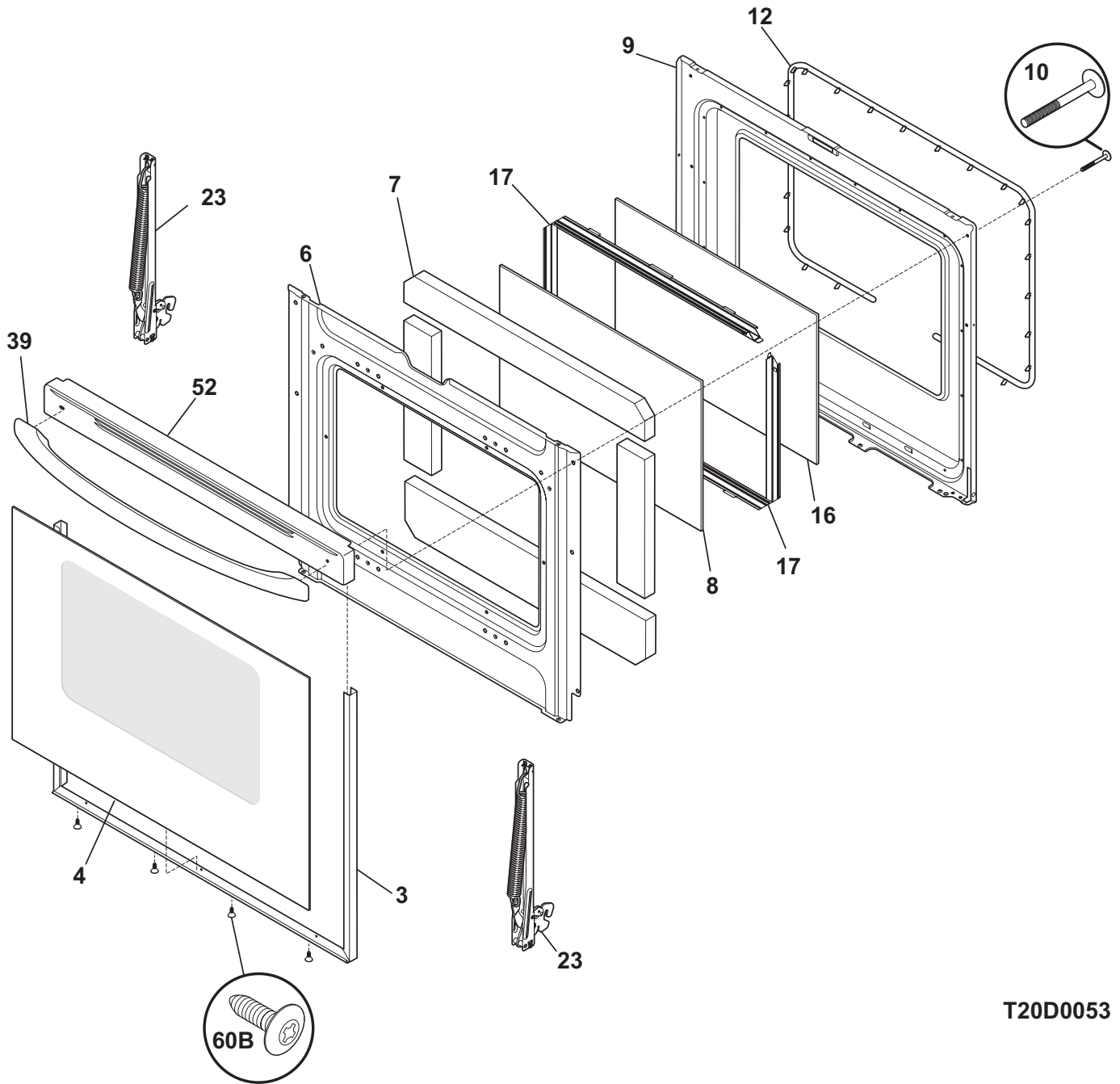
T20T0207

TOP/DRAWER

Model Index: A FEFL79J (FEFL79JBA)
 B FEFL79J (FEFL79JQA)
 C FEFL79J (FEFL79JSA)

POS. NO	PART NO.		DESCRIPTION
1	316408703	A B C	Drawer, utility
2	316403300	A B C	Liner, drawer
4	316403502	A - -	Panel, drawer front, black
4	316403503	- B -	Panel, drawer front, bisque
4	316403501	- - C	Panel, drawer front, white
7	316407400	A B C	Glide, drawer, rear
15 #	318178110	A B C	Element, surface, 6", 1200, (2), radiant
15A#	316418401	A B C	Element, dual, 9" / 6", surface, 1200W/1300W, radiant
15B#	316464901	A B C	Element-surface dual, 1700W/2700W
15D#	318198832	A B C	Element, surface, warmer, 100 W
16	316531924	- B -	Maintop, steel/glass, bisque/black
16	316531925	A - -	Maintop, steel/glass, black
16	316531923	- - C	Maintop, steel/glass, white/black
18	316436600	A B C	Hinge Bracket, maintop, (2)
26	316427600	A B C	Channel, element support, (2)
26A	316498200	A B C	Bracket-support, chassis, aluminum
26B	316214200	A B C	Bracket, chassis support, front
52	316461700	A B C	Clip, element mtg
* #	316466728	A B C	Harness-wiring, surface
*	316468100	A B C	Cleaner, smoothtop, w/sponge
*	316021105	A B C	Screw, hex head cup pt, 8-18 x 0.375, black
*	316021109	A B C	Screw, 8-18 x 0.5, chrome
*	316021110	A B C	Screw, 8-18 x 0.5, black
*	5308014215	A B C	Screw, 6-20 x 0.312

DOOR



T20D0053

DOOR

Model Index: A FEFL79J (FEFL79JBA)
 B FEFL79J (FEFL79JQA)
 C FEFL79J (FEFL79JSA)

POS. NO	PART NO.		DESCRIPTION
3	5303935245	A - -	Trim kit-door, 3 sided, black, w/tape
3	5303935244	- B -	Trim kit-door, 3 sided, bisque, w/tape
3	5303935243	- - C	Trim kit-door, 3 sided, white, w/tape
4	316406401	A - -	Glass, oven door, black, outer
4	316406402	- B -	Glass, oven door, bisque, outer
4	316406400	- - C	Glass, oven door, white, outer
6	316406306	A B C	Shield, wool
7	316405600	A B C	Insulation, oven door
8	316117500	A B C	Glass, oven door, heat barrier
9	316423701	A B C	Liner, oven door
10	316433300	A B C	Screw, 10-14 x 2.125", handle mtg.
10*	316008401	A B C	Washer, 3/4 OD x 1/4 ID, steel
12	316405000	A B C	Seal, oven door
16	316117501	A B C	Glass, oven door, inner
17	316402403	A B C	Spacer, door glass, (2)
23	316456303	A B C	Hinge, oven door, blue titan, (2)
23*	316418900	A B C	Screw, sims lp, #8-32 x 5/16", black
39	316270200	A - -	Handle, door, black
39	316270202	- B -	Handle, door, bisque
39	316270201	- - C	Handle, door, white
52	316468401	A - -	Cap, door trim, black
52	316468402	- B -	Cap, door trim, bisque
52	316468400	- - C	Cap, door trim, white
60B	316021110	A B C	Screw, 8-18 x 0.5, black
*	316433603	A B C	Label, anti-tip
*	316021109	A B C	Screw, 8-18 x 0.5, chrome
*	5303285179	A B C	Screw, wafer head, 8-32T x 0.500, black

Free Manuals Download Website

<http://myh66.com>

<http://usermanuals.us>

<http://www.somanuals.com>

<http://www.4manuals.cc>

<http://www.manual-lib.com>

<http://www.404manual.com>

<http://www.luxmanual.com>

<http://aubethermostatmanual.com>

Golf course search by state

<http://golfingnear.com>

Email search by domain

<http://emailbydomain.com>

Auto manuals search

<http://auto.somanuals.com>

TV manuals search

<http://tv.somanuals.com>