

*Frigidaire*

Factory Parts Catalog

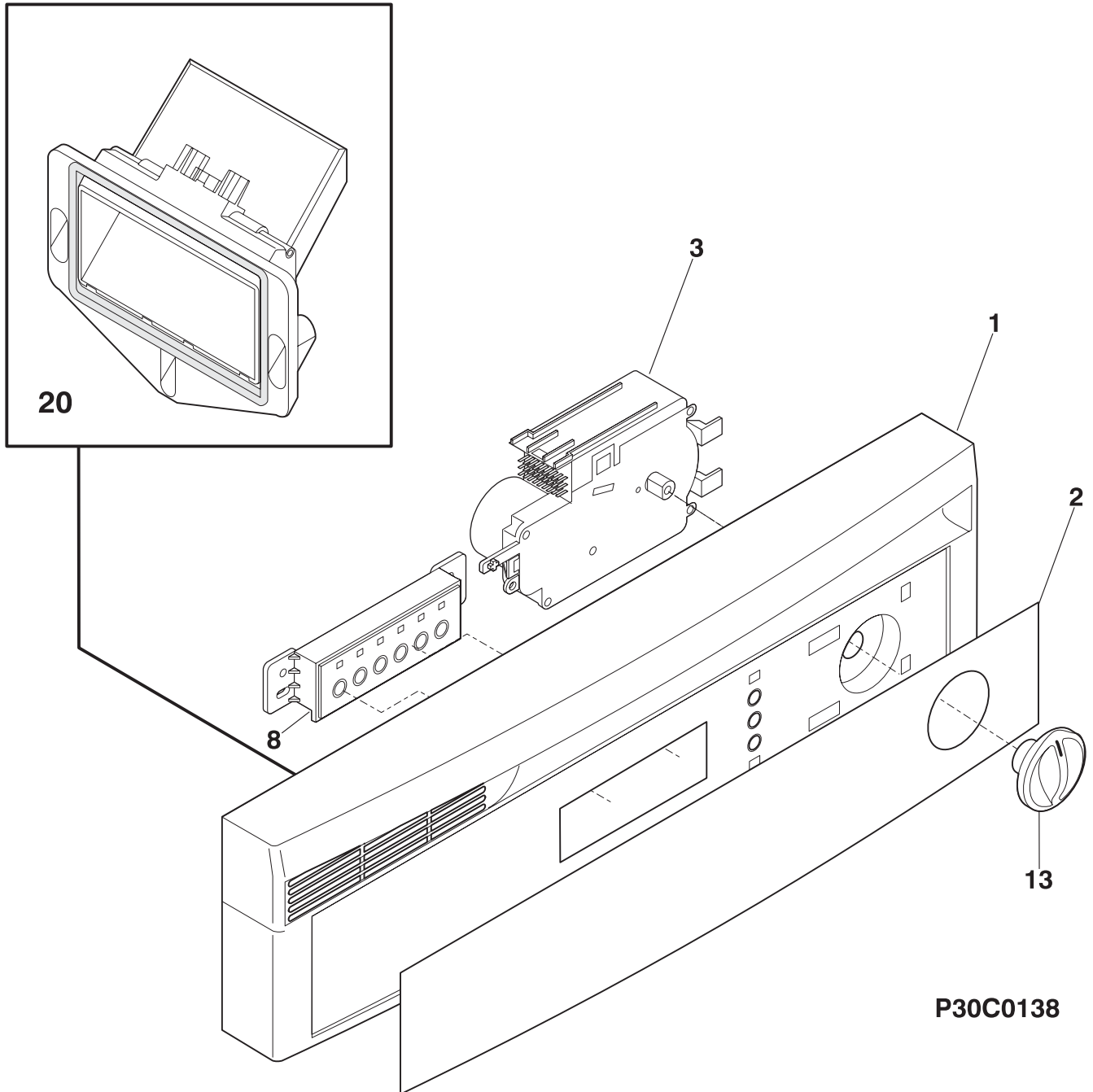
Product No.	FDB700BFB2	FDB700BFC2	FDB700BFQ2	FDB700BFS2
Series	Built-in 24"	Built-in 24"	Built-in 24"	Built-in 24"
Color	black	stainless	bisque	white
Owner's Guide English	154660101	154660101	154660101	154660101
Owner's Guide Spanish	154660103	154660103	154660103	154660103
Owner's Guide French	154660102	154660102	154660102	154660102
Service Data Sheet	154457601	154457601	154457601	154457601
Energy Guide	154678503	154678503	154678503	154678503
Installation Instructions	154427301	154427301	154427301	154427301
Market	North America	North America	North America	North America

**24-INCH BUILT-IN  
DISHWASHER**

Model No.  
FDB700BF

Publication No.  
**5995519138**  
08/07/17  
(EN/SERVICE/ECL)  
821

**CONTROL PANEL**



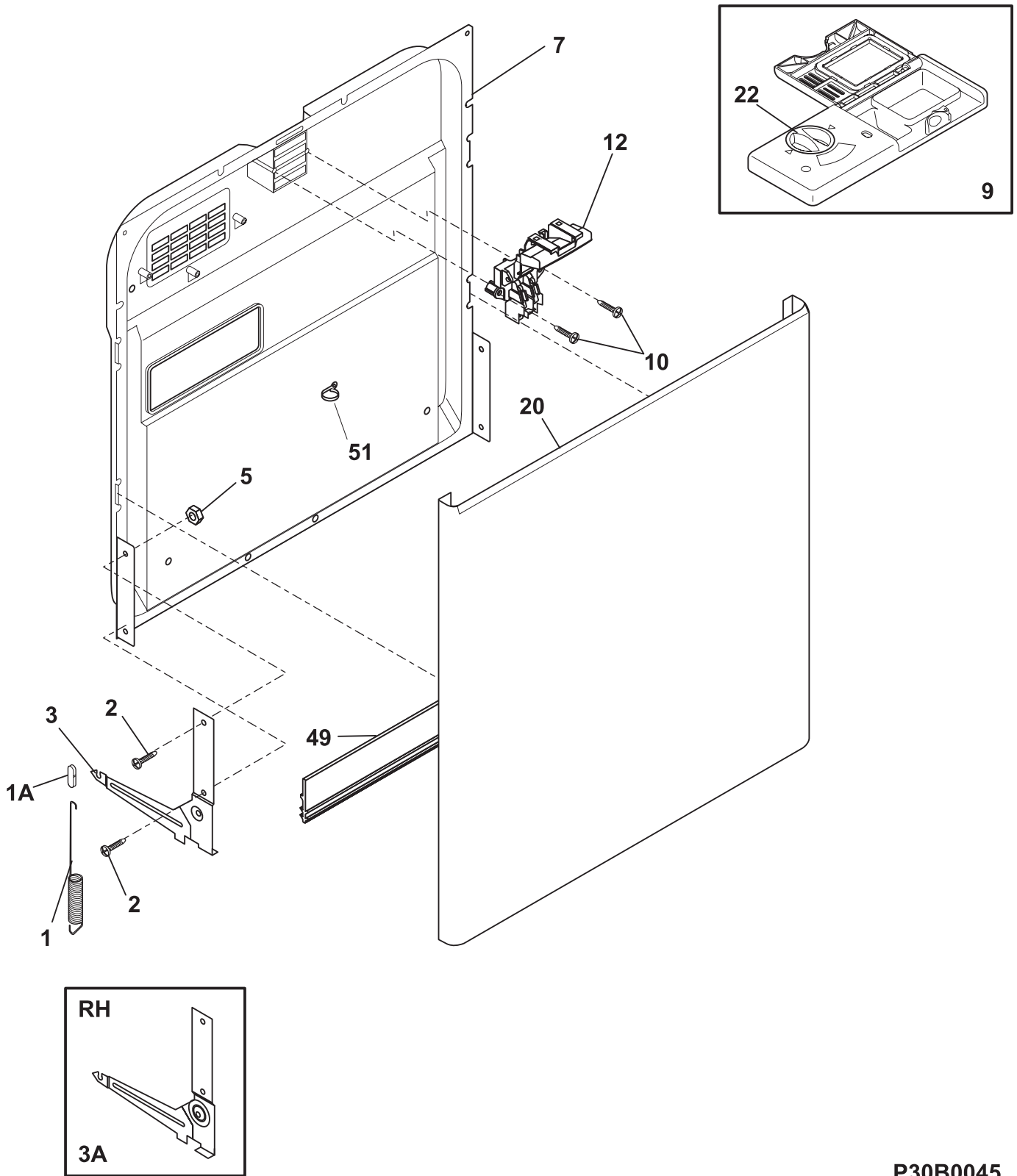
## CONTROL PANEL

---

*Model Index:*    A FDB700BF (FDB700BFB2)  
                       B FDB700BF (FDB700BFC2)  
                       C FDB700BF (FDB700BFQ2)  
                       D FDB700BF (FDB700BFS2)

POS. NO	PART NO.		DESCRIPTION
1	154685203	A B - -	Panel, control, black
1	154685204	- - C -	Panel, control, bisque
1	154685201	- - - D	Panel, control, white
2	154458203	A B - -	Insert, control panel, black
2	154458204	- - C -	Insert, control panel, bisque
2	154458201	- - - D	Insert, control panel, white
3 #	154412901	A B C D	Timer
3*	154131203	A B C D	Shield, timer
3*	154095701	A B C D	Screw, thread rolling, (2), timer
8 #	154470001	A B C D	Switch, selector, 6 button
8*	154248601	A B C D	Shield, switch
8*	5303318719	A B C D	Screw, mtg.
13	154426903	A B - -	Knob, timer, black
13	154426904	- - C -	Knob, timer, bisque
13	154426901	- - - D	Knob, timer, white
20	154433001	A B C D	Vent assy, static dry
20*	154436201	A B C D	Screw, dry duct, (3)
* #	154646201	A B C D	Harness, wiring, main
*	154678503	A B C D	Energy guide label
*	154409401	A B C D	Screw, #8-18 x .375

DOOR



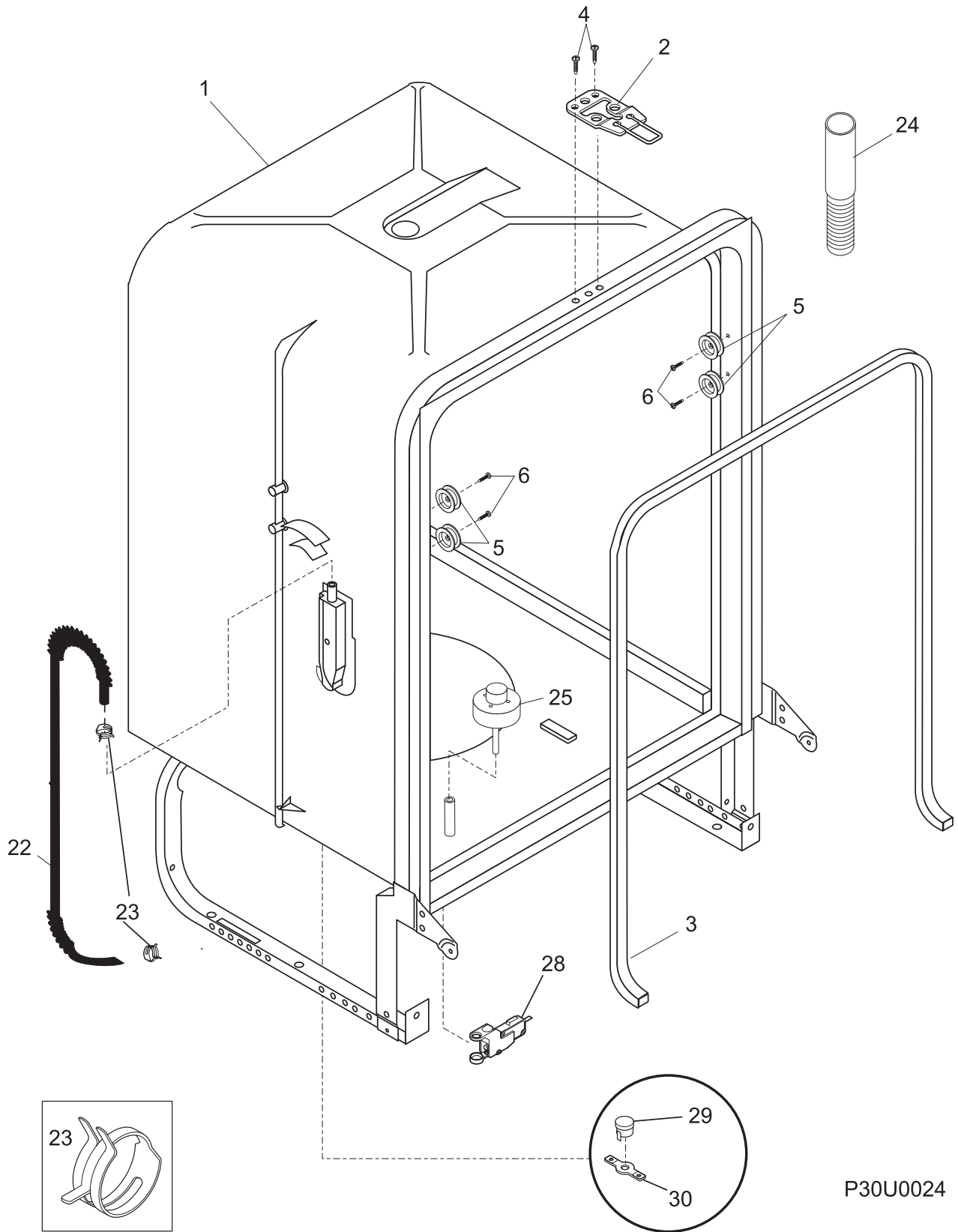
P30B0045

**DOOR**

*Model Index:* A FDB700BF (FDB700BFB2)  
 B FDB700BF (FDB700BFC2)  
 C FDB700BF (FDB700BFQ2)  
 D FDB700BF (FDB700BFS2)

POS. NO	PART NO.		DESCRIPTION
1	154430501	A B C D	Spring, door, (2)
1A	154325201	A B C D	Linkage, door spring, (2)
2	154093301	A B C D	Screw, arm assy, (4)
3	154691201	A B C D	Arm Assy, LH
3A	154691101	A B C D	Arm Assy, RH
*	154647101	A B C D	Hinge Pin, arm assy
*	154686401	A B C D	Bearing, hinge pin
5	154079601	A B C D	Nut, arm assy, and handle mtg.
7	154494601	A B C D	Liner, door assy.
9	154574401	A B C D	Dispenser, det/rinse aid, w/o reed
9*	154294701	A B C D	Screw, #7 plas .375, (6), disp. assy.
10	154103702	A B C D	Screw, latch mtg, (2)
12 #	154537303	A B - -	Latch assy, black
12 #	154537304	- - C -	Latch assy, bisque
12 #	154537301	- - - D	Latch assy, white
20	154359107	A - - -	Door, black
20	154533901	- B - -	Door, stainless
20	154359110	- - C -	Door, bisque
20	154359105	- - - D	Door, white
20*	5304428306	A B C D	Screw, door mtg., (2)
22	154388801	A B C D	Cap, Rinse aid
49	154588201	A B C D	Gasket, door wiper
51	154320301	A B C D	Clamp, drip loop, wire
* #	154227805	A B C D	Thermostat, temp assure
* #	154227808	A B C D	Thermostat, temp boost, hi temp wash
*	154200601	A B C D	Screw, #10-16 x 3/8

TUB



P30U0024

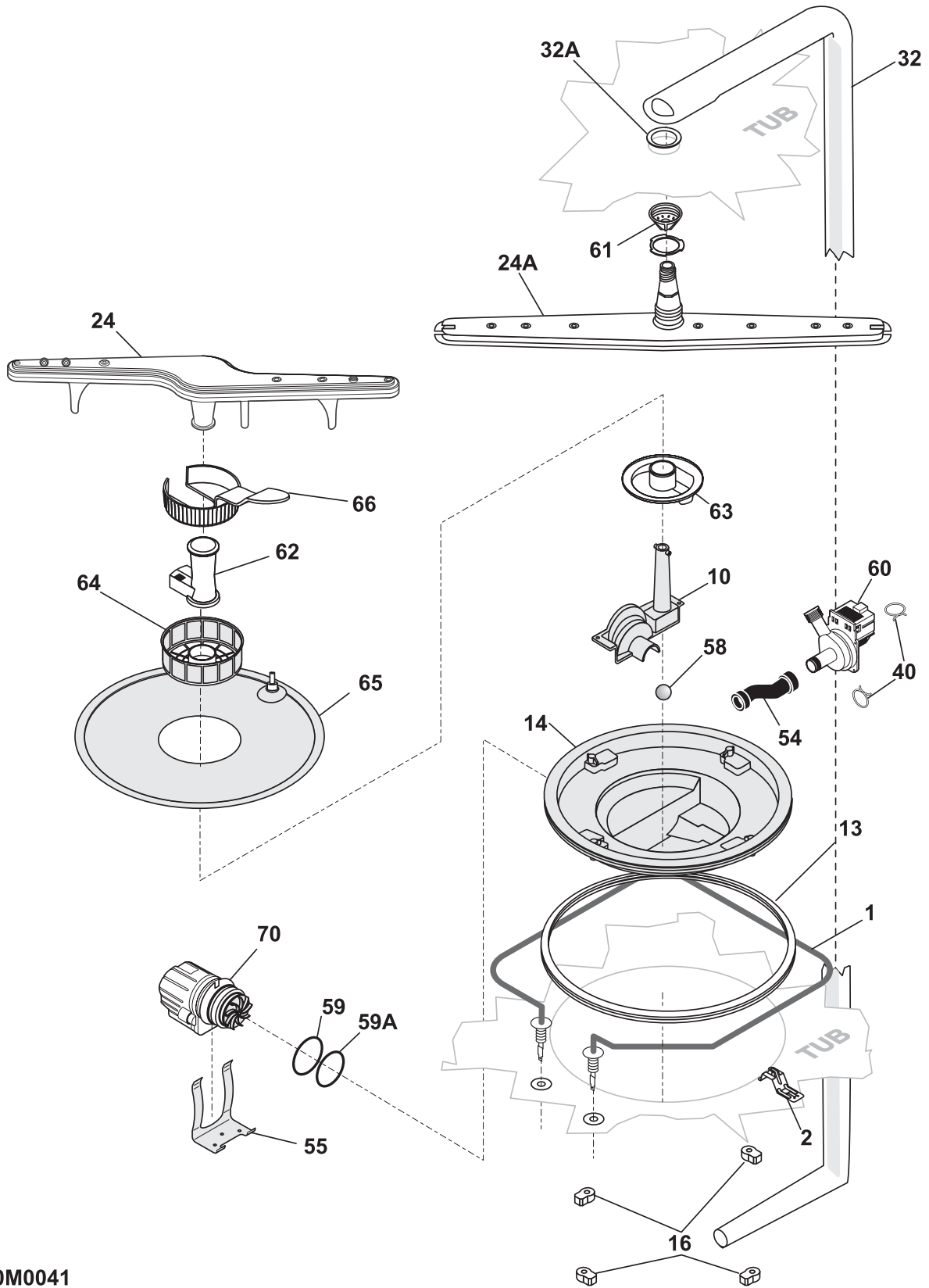
## TUB

---

*Model Index:*   A FDB700BF (FDB700BFB2)  
                       B FDB700BF (FDB700BFC2)  
                       C FDB700BF (FDB700BFQ2)  
                       D FDB700BF (FDB700BFS2)

POS. NO	PART NO.		DESCRIPTION
1 #	154729301	A B C D	Tub assy, w/frame parts, white, PW
2	154662601	A B C D	Strike, door
3 #	154561001	A B C D	Gasket, tub
4	154200602	A B C D	Screw, 10-16 x 3/8, hex
5	154333902	A B C D	Roller, tub
6	5303943103	A B C D	Screw, w/washer, (8)
22	154577401	A B C D	Tubing, water inlet
23	5303318539	A B C D	Clamp, tubing, (2)
24 #	154606701	A B C D	Hose, drain
25 #	154209701	A B C D	Float
28	154408701	A B C D	Switch Assy, float
29 #	154290204	A B C D	Thermostat, re-settable
30	154241101	A B C D	Retainer, thermostat
30*	154297701	A B C D	Screw, retainer-thermo
*	154685101	A B C D	Gasket, tub, corner, (2)
*	154641601	A B C D	Insulation, blanket
*	5300807270	A B C D	Screw, (2), countertop mtg.
*	154041001	A B C D	Screw, plask #1, 10-10 x 9/16
*	154200601	A B C D	Screw, #10-16 x 3/8

**MOTOR & PUMP**



**P30M0041**

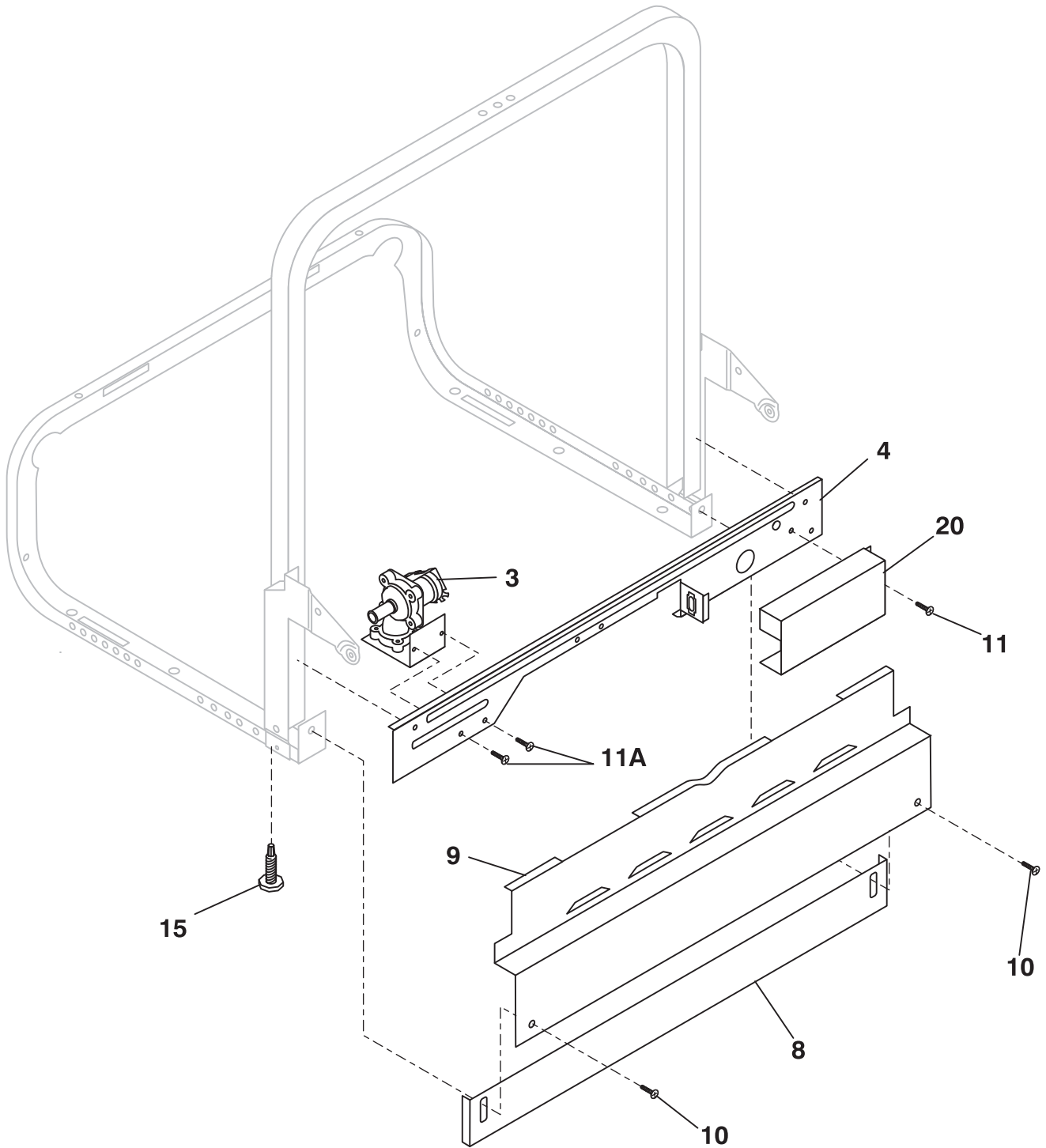


**MOTOR & PUMP**

*Model Index:* A FDB700BF (FDB700BFB2)  
 B FDB700BF (FDB700BFC2)  
 C FDB700BF (FDB700BFQ2)  
 D FDB700BF (FDB700BFS2)

POS. NO	PART NO.	A	B	C	D	DESCRIPTION
1	154247601					Heater
1*	154106202					Nut, heater, (2)
1*	154289801					Shield, heater terminal
2	154479601					Bracket, heater, (2)
10	154245501					Cover, volute
13	154246801					Gasket, sump
14	154365902					Housing, sump
16	154246502					Retainer, sump
24	154568001					Spray arm, white, lower, w/heat shield
24A	154313601					Spray arm, center
24A*	154252001					Nut, spray arm, center
32	154406601					Tube, delivery
32A	154406401					Gasket, delivery tube
40	154348401					Clamp, hose, red, push spring, (3)
40	154348502					Clamp, red, hose
40*	154106801					Clamp, hose, 1.29" open, worm gear, (2)
40*	154380601					Clamp, hose, 1.5" open, worm gear, (5)
54	154234401					Hose, connector
55	154595901					Bracket, motor
55*	5303316032					Screw, truss ss, 8 .625, (7)
58	154246402					Check ball
59	154246901					O-ring, rear
59A	154247001					O-ring, front
60 #	154640201					Drain Pump Assy
60*	154426201					Bracket, motor, drain
60*	154581501					Screw, drain motor, (3)
61	154606801					Nozzle, 3rd level, spray arm
62	154294101					Support, spray arm, lower
63	154252201					Base, soil director
64	154252301					Filter, soil director, white
65	154252401					Filter, polypro
66	154252701					Trap, glass
70 #	154700101					Motor & Pump Assy, johnson, 2900
*	154200601					Screw, #10-16 x 3/8

**FRAME**



**P30F0022**

---

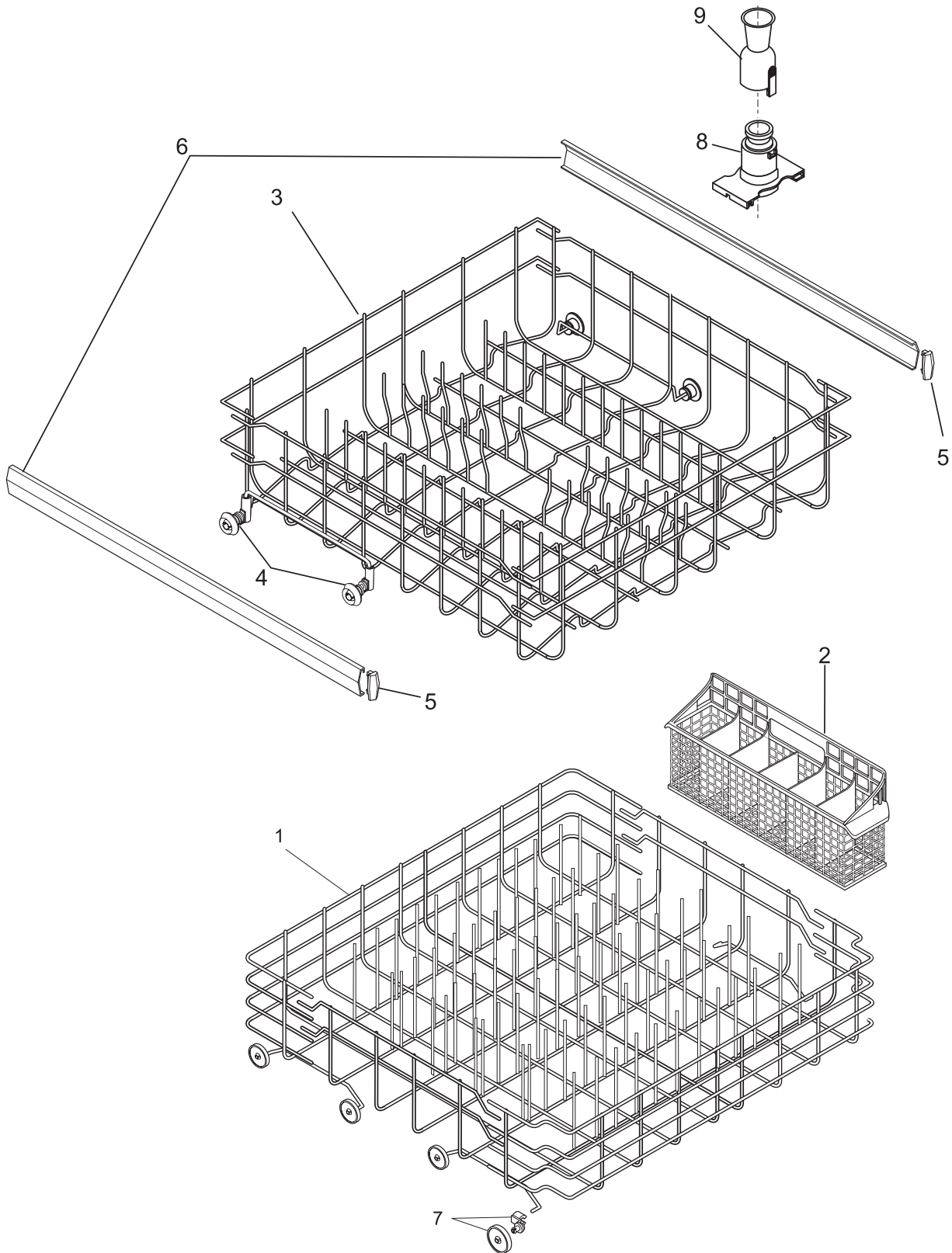
**FRAME**


---

*Model Index:* A FDB700BF (FDB700BFB2)  
 B FDB700BF (FDB700BFC2)  
 C FDB700BF (FDB700BFQ2)  
 D FDB700BF (FDB700BFS2)

POS. NO	PART NO.				DESCRIPTION	
3 #	154637401	A	B	C	D	Valve, water
4	154669301	A	B	C	D	Brace, front frame
8	154589403	A	B	-	-	Toeplate, adjustable, black
8	154589405	-	-	C	-	Toeplate, adjustable, bisque
8	154589401	-	-	-	D	Toeplate, adjustable, white
9	154589503	A	B	-	-	Kickplate Assy, black
9	154589505	-	-	C	-	Kickplate Assy, bisque
9	154589501	-	-	-	D	Kickplate Assy, white
10	5300808658	A	B	-	-	Screw, #8A x .375", black
10	154371303	-	-	C	-	Screw, Phillips head, bisque
10	154371301	-	-	-	D	Screw, Phillips head, white
11	154200701	A	B	C	D	Screw, #10-32 x 3/8
11A	154200601	A	B	C	D	Screw, #10-16 x 3/8
15	154571101	A	B	C	D	Leg, leveling, (4)
20	154597001	A	B	C	D	Cover, junction box
*	154041001	A	B	C	D	Screw, plask #1, 10-10 x 9/16
*	154200602	A	B	C	D	Screw, 10-16 x 3/8, hex
*	154409401	A	B	C	D	Screw, #8-18 x .375

# RACKS



P30R0111

## RACKS

---

*Model Index:*   A FDB700BF (FDB700BFB2)  
                       B FDB700BF (FDB700BFC2)  
                       C FDB700BF (FDB700BFQ2)  
                       D FDB700BF (FDB700BFS2)

POS. NO	PART NO.		DESCRIPTION
1	154336020	A B C D	Rack assy, lower, w/rollers
2	5300808994	A B C D	Basket, silverware
3	154331502	A B C D	Rack assy, upper
4	154522901	A B C D	Wheel & bushing assy, upper rack, (8)
5	5300809927	A B C D	Cap, slide, (4)
6	154597801	A B C D	Slide, rack, upper, (2)
7	154174502	A B C D	Wheel & bracket assy, lower rack
8	154304001	A B C D	Base, funnel
9	154251801	A B C D	Funnel

## Free Manuals Download Website

<http://myh66.com>

<http://usermanuals.us>

<http://www.somanuals.com>

<http://www.4manuals.cc>

<http://www.manual-lib.com>

<http://www.404manual.com>

<http://www.luxmanual.com>

<http://aubethermostatmanual.com>

Golf course search by state

<http://golfingnear.com>

Email search by domain

<http://emailbydomain.com>

Auto manuals search

<http://auto.somanuals.com>

TV manuals search

<http://tv.somanuals.com>