



# Dishwashers

FDB2410HI C/S/B

24" Built-In



## Product Dimensions

Height (Adjustable)	32-1/2" - 35"
Width	24"
Depth (Including Door)	23"

## More Easy-To-Use Features

### Multiple Cycle Options

Features easy-to-use cleaning cycle options.

### Delay Start

Set your dishwasher to run on your schedule.

### Ready-Select™ Controls

Easily select options with the touch of a button.

### Energy Saver Plus Cycle

Eco-friendly cycle uses less energy without compromising cleaning performance.

### Energy Saver Dry Option

No heat dry option.

### Attractive Stainless Steel Exterior<sup>1</sup>

### Low Rinse-Aid Indicator Light

### Control Lock Option

### 5-Level Wash Design

### UltraQuiet™ 3

### Sound Reduction System

ENERGY STAR®

A.D.A. Compliant<sup>2</sup>



### Available in:



Stainless  
(C)



White  
(S)



Black  
(B)

## Signature Features

### Stainless Steel Interior

Premium stainless steel interior for maximum durability.

### Tall-Tub Design

Our large capacity, tall-tub dishwasher fits up to 12 place settings so you can wash more at once.

### Quiet Dishwasher

A quiet performance every time.

### SpaceWise™ Silverware Basket

There's a place for all of your silverware in our multicompartment, removable basket.

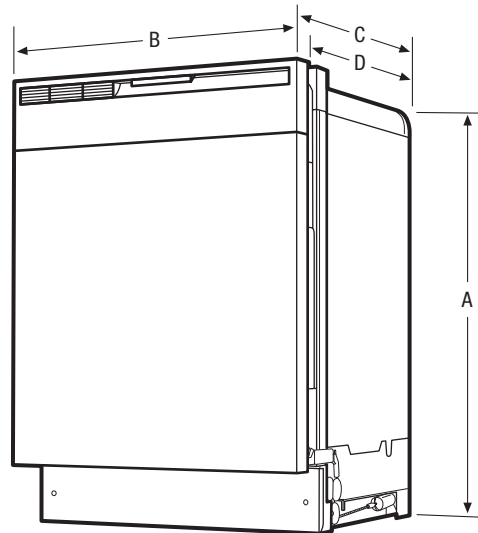
<sup>1</sup>Select model only.

<sup>2</sup>When properly installed, meets the appliance standards in the Americans with Disabilities Act and the Architectural Barriers Act Accessibility Guidelines as published by the United States Access Board on June 23, 2004, as amended August 5, 2005.

Features	
Control Design	Ready-Select™
Digital Display	Yes
Door Latch	Yes
Stay-Put Door Hinge Design	Yes
Low Rinse-Aid Indicator Light	Yes
Interior Design	Tall Tub
Interior Color	Stainless Steel
Wash System	Direct
Wash Levels/Wash Speeds	5/1
Sound Package	UltraQuiet™ 3
Filter	Stainless Steel
Filter Trap	Removable
Soft Food Disposer	Yes
dB Level	55
Drying System	Static
Cycles	
Number of Cycles	5
Heavy	Yes
Normal	Yes
Light	
Delicate	
Favorite	
China Crystal	Yes
Rinse Only	Yes
Energy Saver	Yes
Upper Rack Wash Only	
Cycle Indicator Light	
Control Lock	Yes
Options	
Heat/No Heat Dry	Yes
Hi-Temp Wash	Yes
NSF® Certified Sanitize Rinse	
Delay Start	1-24 Hour
Rack System	
Rack Design/Rack Coating	Deluxe/Nylon
Upper Rack -	
Stemware/Champagne Glass Holders	Yes
Fold-Down Tines	
Cup Shelves	2
Lower Rack -	
SpaceWise™ Silverware Basket	3-Piece Split
Fold-Down Tines	
Small Items Cover	3
Certifications	
ENERGY STAR®	Yes
A.D.A. Compliant¹	Yes
Specifications	
Water Inlet Location	Left Bottom Front
Water Usage (Gallons)	5.4
Water Pressure (PSI)	20 - 120
Integral Air Gap on Supply	Yes
Leveling Legs	4
Power Supply Connection Location	Right Bottom Front
Voltage Rating	120V / 60 Hz / 15A
Connected Load (kW Rating) @ 120 Volts²	1.44
Amps @ 120 Volts	10
Shipping Weight (Approx.)	69 Lbs.

¹When properly installed, meets the appliance standards in the Americans with Disabilities Act and the Architectural Barriers Act Accessibility Guidelines as published by the United States Access Board on June 23, 2004, as amended August 5, 2005.

²For use on adequately wired 120V, dedicated circuit having 2-wire service with a separate ground wire. Appliance must be grounded for safe operation.



NOTE: For planning purposes only. Always consult local and national electric and plumbing codes. Refer to Product Installation Guide for detailed installation instructions on the web at [frigidaire.com](http://frigidaire.com).



Meets requirements of ASSE 1006

Product Dimensions		Cutout Dimensions	
A - Height (Adjustable)	32-1/2" - 35"	Height (Min.)	32-1/2" (A.D.A.!)
B - Width	24"	Height (Max.)	35"
C - Depth (Including Door)	23"	Width (Min.)	24"
D - Depth (To Tub Flange)	20-1/2"	Depth (Min.)	24"
Depth with Door Open 90°	46"		

Accessories information available on the web at [frigidaire.com](http://frigidaire.com)

FRIGIDAIRE

USA • 10200 David Taylor Drive • Charlotte, NC 28262 • 1-800-FRIGIDAIRE • [frigidaire.com](http://frigidaire.com)  
 CANADA • 5855 Terry Fox Way • Mississauga, ON L5V 3E4 • 1-800-265-8352 • [frigidaire.ca](http://frigidaire.ca)

FDB2410HI 07/10

Download from [www.Semantics.com](http://www.Semantics.com). All Manuals Search And Download.

Specifications subject to change.  
 Printed in the U.S.A.

## Free Manuals Download Website

<http://myh66.com>

<http://usermanuals.us>

<http://www.somanuals.com>

<http://www.4manuals.cc>

<http://www.manual-lib.com>

<http://www.404manual.com>

<http://www.luxmanual.com>

<http://aubethermostatmanual.com>

Golf course search by state

<http://golfingnear.com>

Email search by domain

<http://emailbydomain.com>

Auto manuals search

<http://auto.somanuals.com>

TV manuals search

<http://tv.somanuals.com>