

**Fisher-Price®**

# Grow-to-Pro® Golf

## Instructions

Product Number: 72819



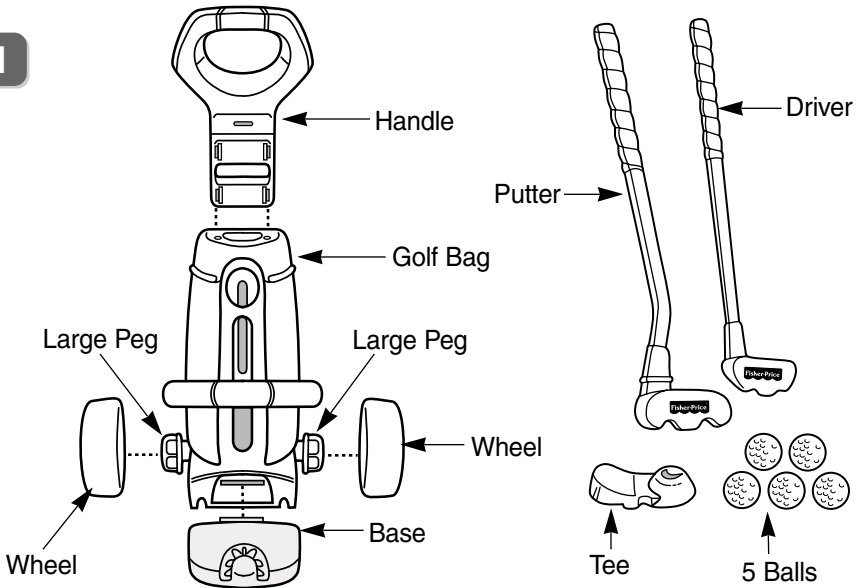
**Please save these instructions for future reference.**

**Adult assembly is required.**

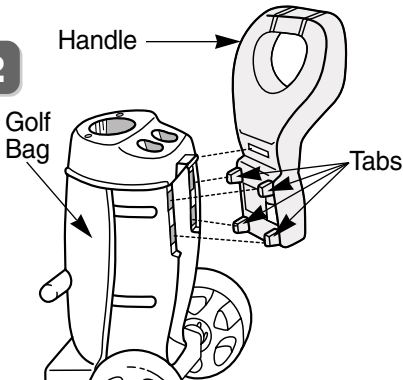
**No tools necessary for assembly.**

# One-Time Assembly

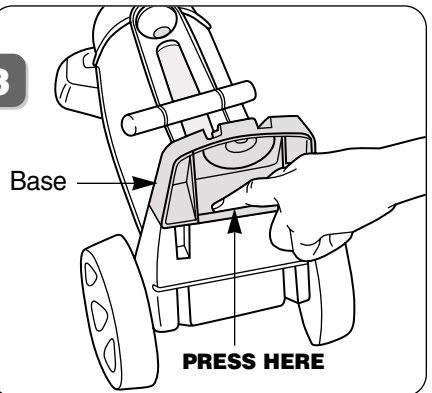
1



2



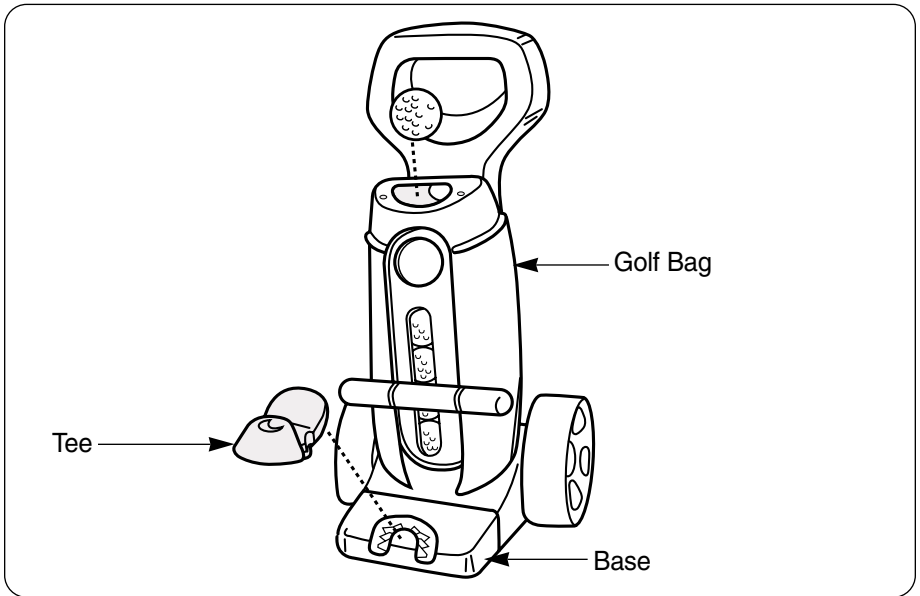
3



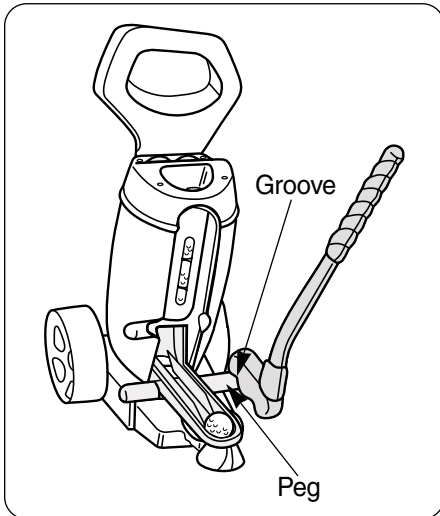
- 1** Position the wheels so that the raised detail is toward the golf bag. Slide and “snap” the wheels onto the large pegs on the bottom of the golf bag. This may require a lot of force. Pull on the wheels to be sure they are completely attached.
- 2** Position the handle so that the tabs are toward the golf bag. Align, insert and snap all of the tabs on the handle into the slots in the back of the golf bag. Pull on the handle to be sure it is completely attached.
- 3** Fit the large tab on the base into the slot in the bottom of the golf bag. Using your fingers, press near the tab to be sure the base inserts completely into the golf bag. Pull on the base to be sure it is completely attached.

**One-time assembly is now complete.**

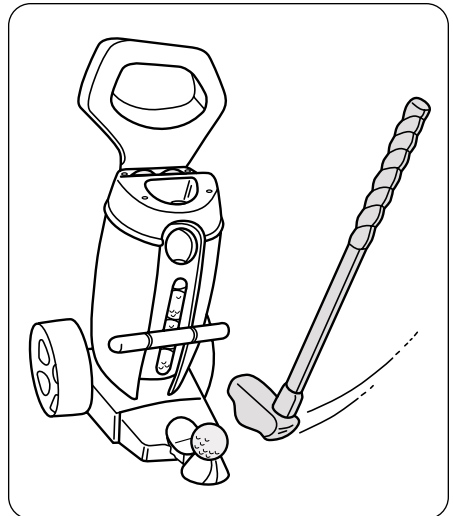
# Fore!



- Insert all five balls into the opening in the top of the golf bag.
- Fit the tee onto the base.



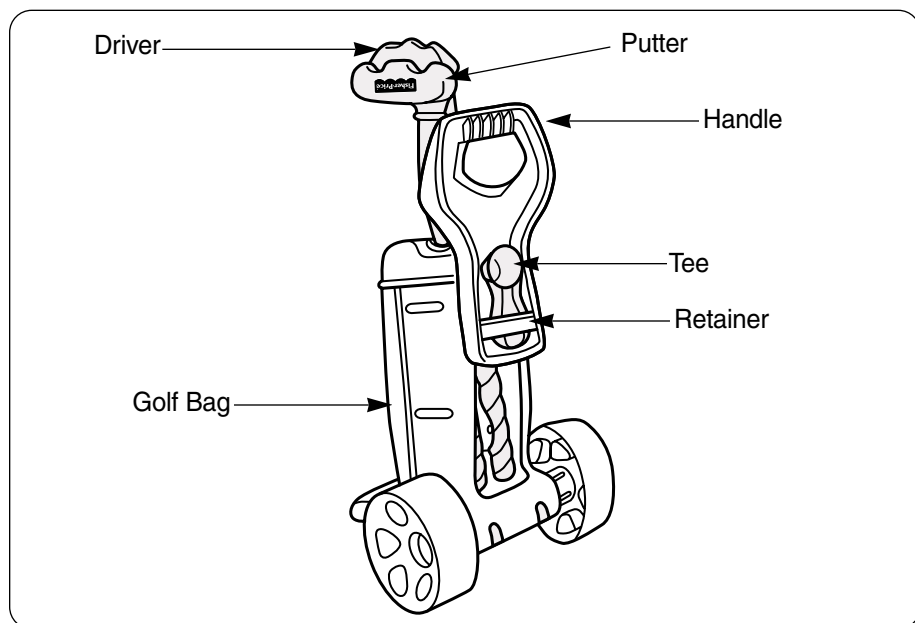
- Fit one of the grooves on the driver or putter to the peg and push down. The ball will roll down into position on the tee.



- Keeping your eye on the ball, swing the driver or putter and hit the ball.

**Hint:** To practice putting with your putter, remove the tee.

## Storage and Care



- Insert all five balls into the large opening in the top of the golf bag.
- Insert the putter and driver into the smaller openings in the top of the golf bag.
- Fit the tee into the retainer on the handle.
- Check the plastic parts regularly and if broken or cracked, dispose of them properly.
- To clean Grow-to-Pro Golf®, use a mild soap and water solution and clean cloth. Rinse clean with water to remove soap residue.

## Consumer Information

### Questions? We'd like to hear from you!

Call Fisher-Price® Consumer Affairs, toll-free at **1-800-432-KIDS**, 8 AM - 6 PM EST Monday through Friday. Hearing-impaired consumers using TTY/TDD equipment, please call 1-800-382-7470. Or, write to: Fisher-Price® Consumer Affairs, 636 Girard Avenue, East Aurora, New York 14052.

If you have any questions about this product:

**In Canada**, call **1-800-567-7724**, or write to: Mattel Canada Inc, 6155 Freemont Blvd., Mississauga, Ontario L5R 3W2.

**In Great Britain**, telephone 01628 500302.

**In Australia**, call the Fisher-Price Australian Consumer Advisory Service toll-free at 1-800-800-812, or write to: Mattel Australia Pty., Ltd., 658 Church Street, Locked Bag #870, Richmond Victoria 3121 Australia.

©1998 Fisher-Price, Inc., a subsidiary of Mattel, Inc., East Aurora, New York 14052, U.S.A.

©1998 Mattel, Inc. All rights reserved.

® and ™ designates U.S. trademarks of Mattel, Inc.

Printed in Mexico

72819 1 72819-0920

Download from [Www.Somanuals.com](http://www.Somanuals.com). All Manuals Search And Download.

## Free Manuals Download Website

<http://myh66.com>

<http://usermanuals.us>

<http://www.somanuals.com>

<http://www.4manuals.cc>

<http://www.manual-lib.com>

<http://www.404manual.com>

<http://www.luxmanual.com>

<http://aubethermostatmanual.com>

Golf course search by state

<http://golfingnear.com>

Email search by domain

<http://emailbydomain.com>

Auto manuals search

<http://auto.somanuals.com>

TV manuals search

<http://tv.somanuals.com>