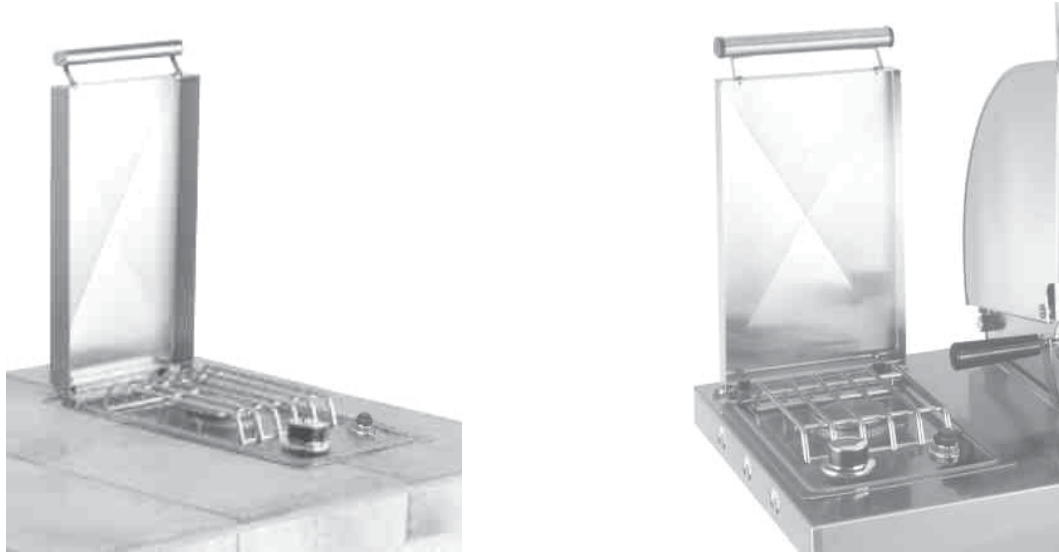


# **Fire Magic®**

*The Ultimate Barbecue*  
**SIDEBURNER**

**15,000 BTU**  
**Natural Gas or Propane Gas**



**SIDEBURNER**  
**SHELF MODELS #25326-016 & #25336-016**  
**DROP-IN MODELS #3275 & #3280**  
**BRICK OPENING: 8 3/4" x 14 1/4" x 4" deep.**

Side shelves and connector kits for mounting side burners on portable carts or in countertop enclosures are packaged separately.

**INSTALLER:** Please leave these instructions with the consumer. **CONSUMER:** Retain for future reference.

## **INSTALLATION AND OPERATING INSTRUCTIONS**

### **FOR YOUR SAFETY**

Do not store or use gasoline or other flammable vapors and liquids in the vicinity of this or any other appliance.

**WARNING:** Improper installation, adjustment, alteration, service or maintenance can cause injury or property damage. Refer to this manual. For assistance or additional information consult qualified, professional installer, service agency or the gas supplier.

**We reserve the right to amend product specifications without prior notice.**

### **FOR YOUR SAFETY**

#### **WHAT TO DO IF YOU SMELL GAS**

1. Shut off the gas to the appliance.
2. Extinguish any flame.
3. Open lid.
4. If odor continues, immediately call your gas supplier or fire department.

**This manual may not be copied, photocopied, reproduced, translated, or published in any electronic or machine-readable form in whole or in part without prior written approval of Robert H. Peterson Co.**

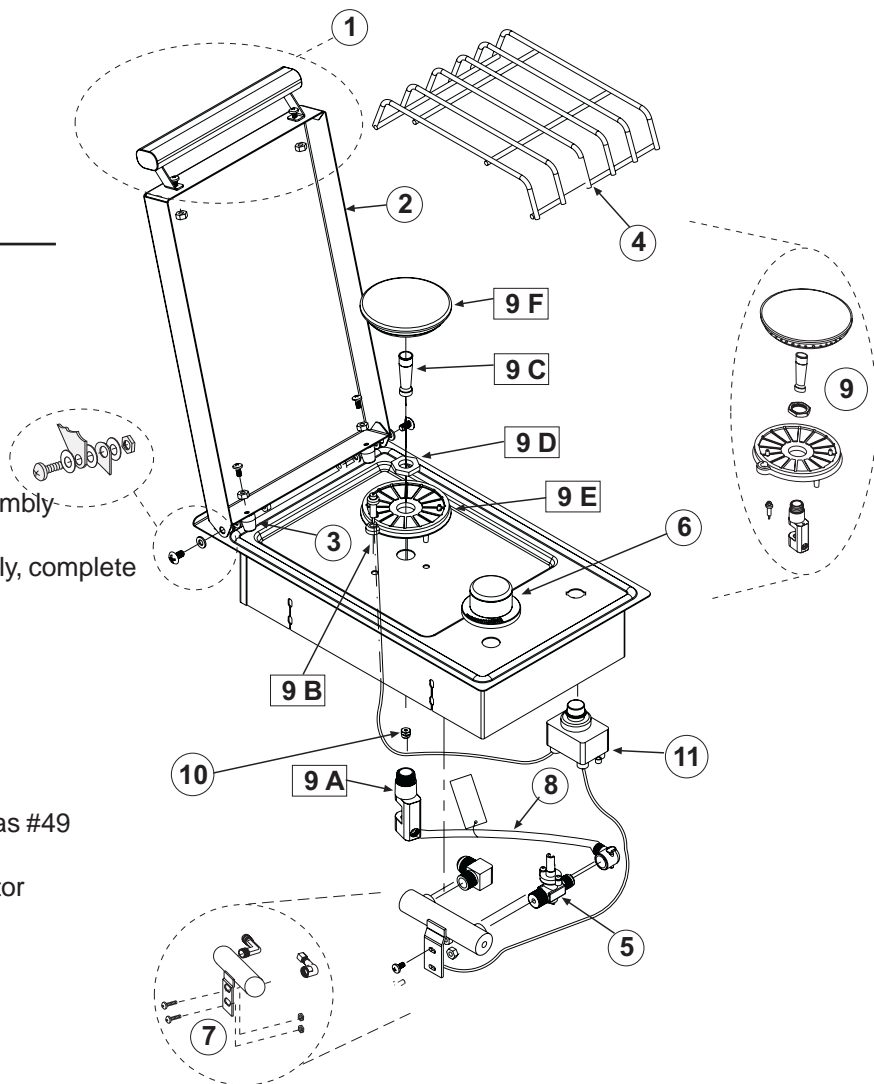
**Certified to ANSI: Z21.58**



**Robert H. Peterson Co. • 14724 East Proctor Avenue, • City of Industry, CA 91746**

## SIDEBURNER PARTS LIST

Item No.	Part No.	Description(Qty.)
1.	3275-06	Handle assembly
2.	3275-04	Lid, porcelain
	<b>OR</b> 3280-04	Lid, S.S.
3.	3275-26	Lid stop (2)
4.	3275-10	Burner grid
5.	3005	Valve, w/o knob
6.	3020	Knob
7.	3275-39	Valve manifold assembly
8.	3275-35	Gas connector tube
9.	3275-32	Side burner assembly, complete
	Comprising of:	
	9A	Orifice housing
	9B	Ignitor electrode
	9C	Venturi tube
	9D	Lock nut
	9E	Burner base
	9F	Burner cap
10.	3001-49-1	Burner orifice, nat gas #49
	<b>OR</b> 3001-56-1	Propane gas #56
11.	3199-32	Ignitor spark generator



### PREPARING FOR INSTALLATION OF YOUR FIRE MAGIC SIDE BURNER

Your Fire Magic Sideburner is designed to complement your Fire Magic Barbecue. It provides a convenient, efficient cooking surface for side dishes that require bottom heat only.

**TOOLS REQUIRED:** A pair of wrenches, pliers or vice grips for the gas connection.

**CODE AND SUPPLY REQUIREMENTS:** This burner must be installed in accordance with local codes and ordinances or, in the absence of local codes, with the National Fuel Gas Code, ANSI Z223.1.

This appliance and its individual shutoff valve must be disconnected from the gas supply piping system when testing the system at pressures in excess of 1/2 psig.

The appliance must be isolated from the gas supply piping system by closing its individual manual shutoff valve during any pressure testing of the gas supply system at pressures up to and including 1/2 psig.

#### WHERE TO INSTALL YOUR SIDEBURNER

Fire Magic Sideburners are designed for outdoor use only.

**WARNING:** Sideburners must be installed in masonry or other type of fireproof enclosure. The unit is not insulated and therefore must be installed with 18" of side and back clearance from unprotected combustible materials such as wood, plastic, or stucco with wood framing. Do not install under overhead unprotected flammable construction. A 4" clearance to any back wall is required to open the lid properly.

**This is a drop-in type unit. The unit must be removable for gas hookup, servicing and burner adjustment.**

**PROPER VENTILATION:** Proper ventilation of your sideburner must be maintained to ensure proper performance. **Do not operate with lid closed.**

#### VENTILATION OF ENCLOSURES

When using propane gas, take **EXTREME CAUTION** to ensure ample ventilation of gas vapor. Propane vapor is invisible and heavier than air. A **DANGEROUS EXPLOSION** could occur, resulting in **SERIOUS INJURY, OR LOSS OF LIFE** if propane gas is allowed to accumulate and then ignite.

**Only one propane gas cylinder may be located in an enclosure.** Extra or spare cylinders must be stored outdoors out of the reach of children and outside of any building, garage or other enclosed area. **READ AND FOLLOW ALL WARNINGS PROVIDED WITH PROPANE GAS CYLINDERS.** Never locate a cylinder under or near the barbecue unless sufficient ventilation and shielding is provided to prevent any heating of the cylinder, regulator and rubber hose.

### Propane Cylinder Enclosures

To prevent invisible combustible gas from accumulating in your cylinder enclosure, you must provide adequate ventilation. This is accomplished by **EITHER** of the following methods. One side of the gas cylinder enclosure can be left completely open to the outside **OR** by providing four (4) ventilation openings. Two openings are to be at the cylinder valve level (approx. 16" above the floor) and on opposite walls of the enclosure. Two more openings must be at the floor level on opposite sides of the enclosure. The floor level openings must start at the floor and shall extend no higher than 5" above the floor. Each opening must have a minimum of 10 square inches (64.5 cm<sup>2</sup>) of free area. To achieve the proper ventilation, you may drill a series of holes, omit the grout from masonry joints or replace a brick with a hardware cloth screen. If the floor in the cabinet is raised and the space beneath the cabinet is open to the outside, the lower ventilation openings may be in the floor.

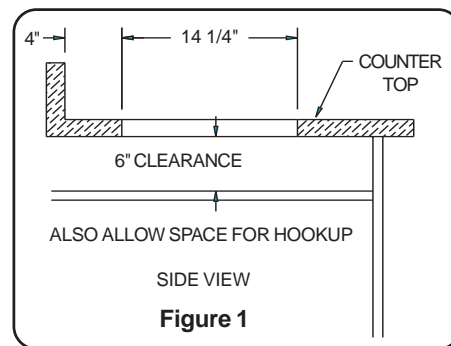
FOR YOUR SAFETY, you must provide these openings for drainage, replacement air and cross ventilation of any storage area exposed to possible leakage from gas connections, the barbecue or propane cylinder.

### HOUSEHOLD PROPANE GAS SERVICE

Consult your gas supplier for ventilation and regulator requirements when connecting to a **HOUSEHOLD** propane supply.

**EXHAUST REMOVAL:** When installed under a patio roof, the side burner area should be under a hood with an exhaust fan.

**GAS SUPPLY PLUMBING REQUIREMENTS:** Rigid 1/2" black steel pipe is required to conduct the gas supply into the masonry opening for connection to the unit. Apply pipe joint compound (resistant to all gasses) to all male pipe fittings and tighten all joints securely. Do not use pipe joint compound to connect flare fittings. The pipe should enter enclosure either from bottom or from any side at least 4" below the countertop (see Figure 1).



**NOTE:** Any protrusion into the enclosure higher than 4" below countertop will obstruct the frame and prevent the unit from dropping into place.

**SAFETY NOTE:** An external valve (with a removable key) in the gas line is recommended for safety.

### GAS SUPPLY AND MANIFOLD PRESSURES:

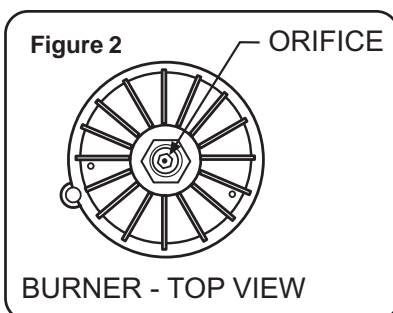
For **Natural Gas** - normal 7" water column, minimum 5", maximum 10-1/2". For **Propane Gas** - normal 11" water column, minimum 8", maximum 13". A **REGULATOR MUST BE PROVIDED AT THE BOTTLE OR GAS SOURCE FOR USE WITH PROPANE GAS.**

## INSTALLING YOUR FIRE MAGIC SIDE BURNER (BUILT-IN APPLICATION)

**1. CHECKING FUEL AND PROPER ORIFICES:** Your Fire Magic Sideburner is equipped with orifices for natural gas unless otherwise indicated. For propane gas, smaller orifices must be installed to avoid hazardous overheating. The orifice size for **Natural Gas** is **#49** (drill size) and for **Propane Gas**, the orifice size is **#56** (drill size). Check the orifice size by removing the burner cap (Item #9F) and the venturi tube (Item #9C) and looking down through the hole in the center (see Figure 2 for the location of the orifice). The drill size is stamped on the orifice. If the number is not visible you may have to remove the orifice (as detailed below) in order to read the number stamped on the side of the orifice.

To remove or change an orifice, you need a 3/8" nut driver or small wrench. Loosen the orifice using the nut driver, approaching from above, or by approaching from underneath the burner using a small wrench.

Remove (check the number on the side if needed) and replace with the correct sized orifice for your gas type.



### 2. CONNECTING THE GAS SUPPLY TO YOUR FIRE MAGIC SIDEBURNER:

**a.** The burner manifold has a 3/8" male flare fitting gas inlet elbow. A 3/8" female flare fitting connector nut is required to hook the gas supply to the burner.

**b.** Use a stainless steel flex connector to bring the gas supply from the gas line stub or propane gas tank to the sideburner manifold. A 3/8" x 24" or 36" flex connector is suitable for most installations.

**CAUTION:** Use only a C.S.A. listed stainless steel flex connector. **Do not use a rubber hose or plastic hose within the enclosure for your sideburner, it will leak resulting in an explosion and/or serious injury.**

**NOTE:** For installation in a portable barbecue cart, see the installation instructions packed with the sideburner shelf and connector kit. Also refer to the portable cart instruction section for attaching shelves.

**c.** Be sure the gas supply is **'OFF'**. Connect the pipe adapter fitting supplied with the flex connector to the gas supply stub. Use pipe joint compound which is resistant to all gasses on the pipe fitting. Tighten fitting to gas supply and connector flare nut securely.

**Note:** pipe joint compound should not be used on flare fitting connections.

d. Connect the flex connector flare nut to the sideburner manifold elbow flare fitting. Be sure to tighten securely. Use a second wrench to support the manifold to avoid damaging the manifold.

e. Check all gas connections for leaks with a brush and soapy water solution before lighting. **NEVER USE A MATCH OR OPEN FLAME TO TEST FOR LEAKS.**

f. Lower the unit into the enclosure.

### 3. POSITIONING THE BURNER

**CAP AND GRILL:** Place the burner cap so it is centered over the burner. Be sure the notches in the burner cap fit over the studs protruding from the burner (see Figure 3). The burner cap and grill are coated with a high temperature porcelain finish that prevents rust and can be cleaned with oven cleaner.

**SAFETY TIPS IN USING YOUR SIDEBURNER:** Each time you use your sideburner, ensure that:

1. The area around the unit is clear and free from flammable vapors, liquids and other combustable materials.
2. There is no blockage of air flow around the burner.
3. When using propane gas:
  - a. The special ventilation openings in the enclosure are kept free and clear of debris.

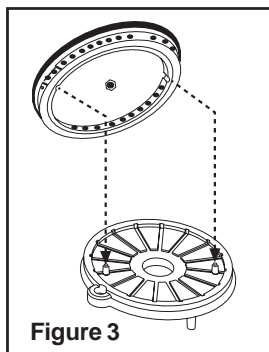


Figure 3

b. If connected to a propane cylinder, the rubber hose attached to the regulator is carefully inspected before each use.

c. The propane cylinder, regulator and rubber hose are installed in a location not subject to heating above 125° F (51° C).

4. Burner flames are burning evenly around the burner cap with a steady flame (mostly blue with yellow tipping).

**PRESERVING YOUR SIDE BURNER FOR YEARS OF CAREFREE USE:** The sideburner surfaces may be cleaned with any common acid free household cleaner.

Occasionally remove the burner cap and, if necessary, use a soft, stiff brush (an old toothbrush) to clean the ports in the burner and the underside of the burner cap.

**CAUTION: Never use acid chemicals or abrasive pads to clean porcelain or aluminum surfaces.**

**Do not operate the burner with the cover closed.**

The valve, igniter and burner on your Fire Magic Sideburner have been **pre-assembled** and **tested before shipping**. We suggest you follow and practice these instructions for safe lighting of your Fire Magic Sideburner.

**CAUTION: DO NOT ALLOW A COOKING POT OR PAN TO GET TOO CLOSE TO OR COVER, THE IGNITOR OR FLAME ADJUSTMENT KNOBS DURING USE. OVERHEATING OF THE KNOBS WILL OCCUR, RESULTING IN DAMAGE AND POSSIBLE UNIT MALFUNCTION. IF THIS CAUTION IS NOT FOLLOWED.**

## LIGHTING INSTRUCTIONS

### FOR AUTOMATIC LIGHTING:

1. Open the lid.
2. Make sure the control valve is in the 'OFF' position.
3. Open the propane gas tank valve or gas line valve.
4. Depress the control valve and turn to the 'HIGH' position.
5. Immediately press the spark generator button. The burner should light.
6. If the burner does not light, turn the control valve to the 'OFF' position and **WAIT 5 MINUTES**.
7. Repeat steps 4 and 5. If the burner still does not light, turn the control valve to 'OFF' and **WAIT 5 MINUTES**. Then follow the manual lighting instructions below.

### FOR MANUAL LIGHTING:

1. Follow steps 1 thru 3 above.
2. Insert a long-stemmed burning match or a long necked butane lighter to the ports below the burner cap.
3. While holding the match or lighter flame next to the burner, depress the control valve and turn counterclockwise to 'HIGH'.

4. If the burner does not light immediately, turn off the valve. **WAIT 5 MINUTES** before repeating steps 2 and 3.

**ADJUSTING THE FLAME:** The valve is on 'HIGH' flame at first click, and the 'LOW' flame is in the extreme counterclockwise position. You may regulate the height of the flame by adjusting the knob between 'HIGH' and 'LOW'. You may also adjust the 'LOW' flame height, with the burner in the 'LOW' position by turning the small adjusting screw in the center of the valve stem. This screw is accessed by removing the valve knob from the valve stem and inserting a small screwdriver down the hollow center of the valve stem.

### IF YOU SMELL GAS:

1. Shut off gas to the appliance.
2. Extinguish any open flame.
3. Open lid.
4. If the odor continues, immediately call your gas supplier.

*Replacement parts may be obtained from your Fire Magic dealer.*

## ROBERT H. PETERSON CO.

Quality Check \_\_\_\_\_

Date: \_\_\_\_\_

Orifice # (MAIN): \_\_\_\_\_

Orifice # (OTHER): \_\_\_\_\_

Model #: \_\_\_\_\_

Leak Test: \_\_\_\_\_

Serial #: \_\_\_\_\_

Burn Test: \_\_\_\_\_

Air Shutter: \_\_\_\_\_

Gas Type: **NAT / PROPANE**

Inspector: \_\_\_\_\_

Robert H. Peterson Co. • 14724 East Proctor Avenue, • City of Industry, CA 91746

## Free Manuals Download Website

<http://myh66.com>

<http://usermanuals.us>

<http://www.somanuals.com>

<http://www.4manuals.cc>

<http://www.manual-lib.com>

<http://www.404manual.com>

<http://www.luxmanual.com>

<http://aubethermostatmanual.com>

Golf course search by state

<http://golfingnear.com>

Email search by domain

<http://emailbydomain.com>

Auto manuals search

<http://auto.somanuals.com>

TV manuals search

<http://tv.somanuals.com>