



REMOTE WALL CONTROL INSTALLATION INSTRUCTIONS

WARNING – To reduce the risk of fire, electric shock and injury to persons, the Remote Wall Control must be installed only with Faber range hood models INCA PRO 30 RB or INCA PRO 38 RB, that are marked to indicate suitability with this product. Other models cannot be used

READ AND SAVE THESE INSTRUCTIONS.

The Installer must leave these instructions with the homeowner.

The homeowner must keep these instructions for future reference and for local electrical inspectors' use.

⚠ WARNING

Risk of electrical shock. Electrical wiring must be done by qualified personnel in accordance with all applicable codes and standards. Turn off the power and lock out the service panel before installing, wiring, or servicing this product. To prevent serious injury from electrical shock or damage to electrical components - MAKE SURE POWER IS OFF! This unit must be grounded.

⚠ WARNING

TO REDUCE THE RISK OF FIRE, ELECTRIC SHOCK OR INJURY TO PERSONS, OBSERVE THE FOLLOWING:

- Installation Work And Electrical Wiring Must Be Done By Qualified Person(s) In accordance With All Applicable Codes and Standards, Including Fire-Rated Construction.**
- When cutting or drilling into wall or ceiling, do not damage electrical wiring and other hidden wires.**

MAKE YOUR CUT-OUTS.

⚠ WARNING

- Cut a level 4 11/32" X 3 5/32" hole in to your desired location.
- Route the electrical cable from the hood to the wall control location.

INSTALL THE REMOTE WALL CONTROL

⚠ WARNING – To reduce the risk of fire and electric shock, do not use this control in an insulated wall

- Remove the back metallic panel of the Remote Wall Control by removing the four screws.
- Insert and fix a cable with four wires (Brown, Black, Red and Green Ground Wire) into the knockout hole of the back metallic panel.
- Connect the green ground wire from the cable to the green ground screw.
- Connect the red wire from the cable to the red Remote Wall Control wire with a twist-on wire connector.
- Connect the brown wire from the cable to the white/black Remote Wall Control wire with a twist-on wire connector.
- Connect the black wire from the cable to the two black Remote Wall Control wires with a twist-on wire connector.
- Replace the back metallic panel.

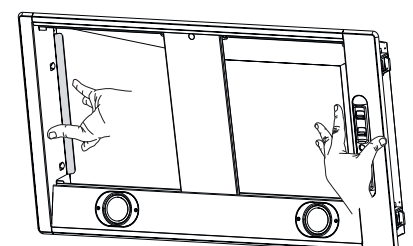
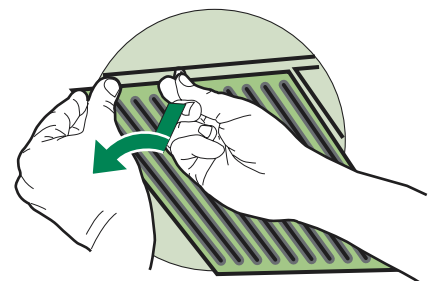
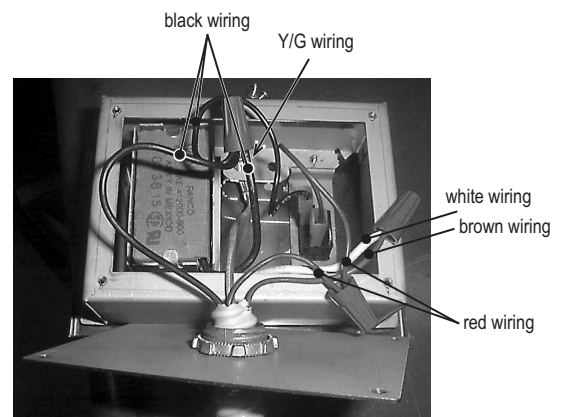
The twist on wire connector should be suitable for connecting multiple wires of different sizes together.

- Remove the faceplate from the Remote Wall Control by removing two screws.
- Position the remote control box in a hole so that both face plate mounting tabs are flush to the finished wall surface. Fasten it to a wall stud using four screws (not supplied)
- Reinstall the control faceplate, ensuring not to pinch the wires.

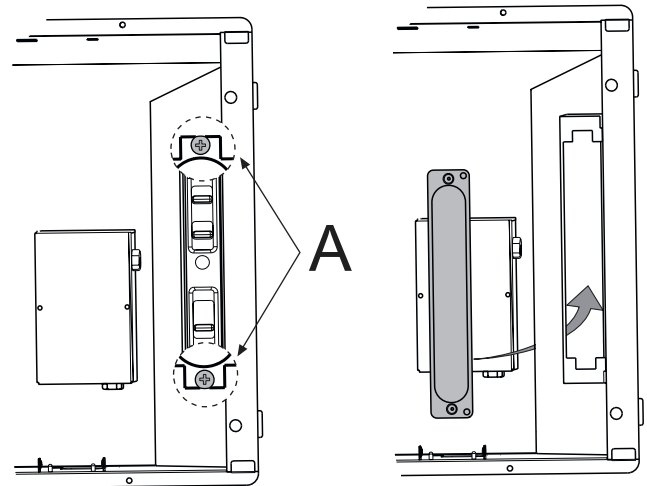
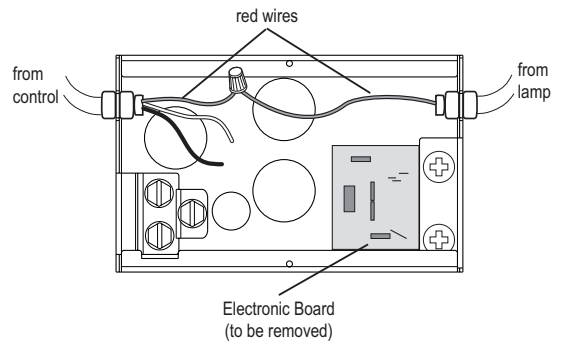
CONNECTION OF THE REMOTE WALL CONTROL TO THE RANGEHOOD

To install the rangehood, please refer to the hood installation instructions.

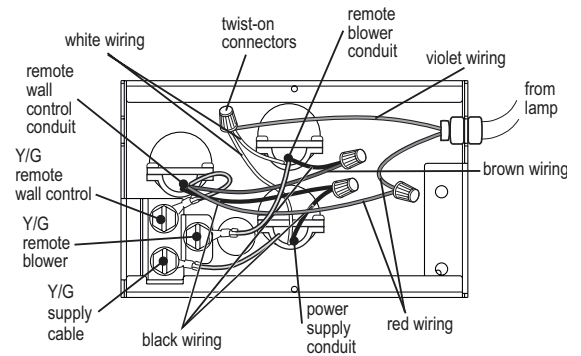
- Remove the grease filters USING TWO HANDS one to hold the filter so that it doesn't fall on cooktop and one to turn the knob by pulling the knob out and turning to the left.
- Remove the entire bottom of the rangehood by pushing your thumbs into the side holes and pulling the sides free from the rangehood.



- Remove the wiring box cover by removing the two screws.
- Disconnect the two red wires by removing the twist-on wire connector.
- Remove the Internal Control Box by removing the the two phillips screws (item **A**) on the bottom of the rangehood.
- Close the hole using the cap provided in the Remote Wall Control package using the two screws.
- Remove the Electronic Board on the wiring box by removing the the two phillips screws.

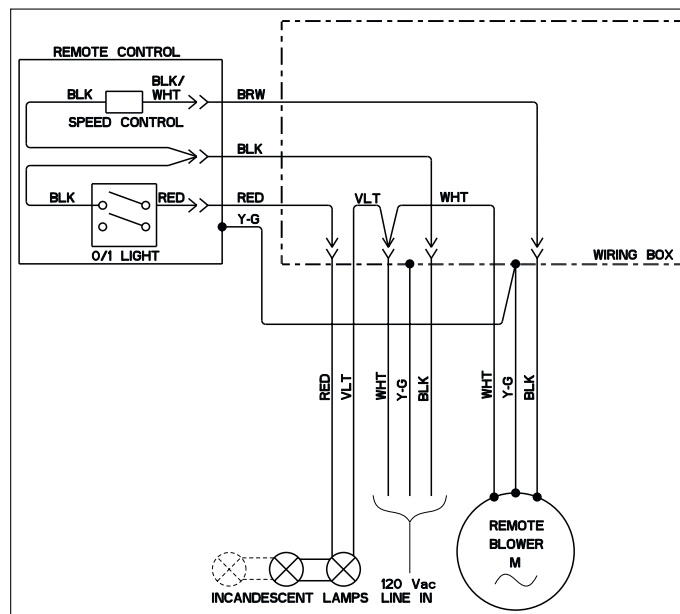


- Insert the cable with four wires (Brown, Black, Red and Green Ground Wire) from the Remote Wall Control into the knockout hole of the rangehood.
- Insert the 3 Remote Blower wires (Black, White and Green Ground Wire) into the knockout hole of the rangehood.
- Insert the power supply cable into the knockout hole of the rangehood.
- Connect the green ground wire from the power supply to the green ground screw.
- Connect the green ground wire from the Remote Wall Control to the unused green ground screw.
- Connect the green ground wire of the Remote Blower to the unused green ground screw.
- Connect the red wire from the Remote Wall Control with the red wire of Wiring Box with a twist-on wire connector.
- Connect the brown wire from the Remote Wall Control with the black wire of the Remote Blower cable with a twist-on wire connector..
- Connect the black wire from the Remote Wall Control with the black wire of the power supply cable with a twist-on wire connector..
- Connect together with a twist-on wire connector the following wires:
 - violet rangehood wire
 - white wire of the power supply cable
 - white wire of the Remote Blower cable.
- Replace the wiring box cover. Tighten the screw securely.
- Replace the bottom of the rangehood and reinsert the grease filters.
- Reconnect the power



Twist on wire connector should be suitable for connecting multiple wires of different sizes together.

WIRING DIAGRAM



436003417_ver1 -- 060627

Free Manuals Download Website

<http://myh66.com>

<http://usermanuals.us>

<http://www.somanuals.com>

<http://www.4manuals.cc>

<http://www.manual-lib.com>

<http://www.404manual.com>

<http://www.luxmanual.com>

<http://aubethermostatmanual.com>

Golf course search by state

<http://golfingnear.com>

Email search by domain

<http://emailbydomain.com>

Auto manuals search

<http://auto.somanuals.com>

TV manuals search

<http://tv.somanuals.com>