

OWNER'S MANUAL
RETAIN FOR FUTURE REFERENCE
TOLL FREE CUSTOMER SERVICE
1.888.800.1167

MODEL NUMBER: 51551
SERIAL NUMBER:

APPLICATION STANDARD

ASSEMBLY
OPERATING INSTRUCTIONS
CONDITIONING GUIDELINES
WARRANTY
SERVICE



EVO TAHOE Home Gym

For future service or related questions.

Please staple your receipt and/or write in the name and phone number of the retail store where you purchased your EVO home gym.

Name:

Phone Number:

Receipt:

Open the boxes

You are now ready to open the boxes of your new equipment. Make sure to inventory all of the parts that are included in the boxes. Check the Parts List for a full count of the number of parts included for this product to be assembled properly. If you are missing any parts or have any assembly questions contact your local Smooth Retailer.

Gather your tools

Before starting the assembly of your unit, make sure that you have gathered all the necessary tools you may require to assemble the unit properly. Having all of the necessary equipment at hand will save time and make the assembly quick and hassle-free.

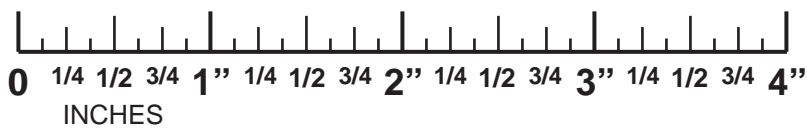
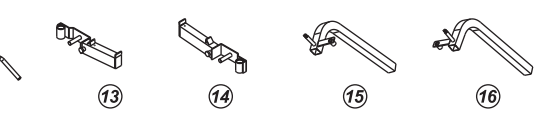
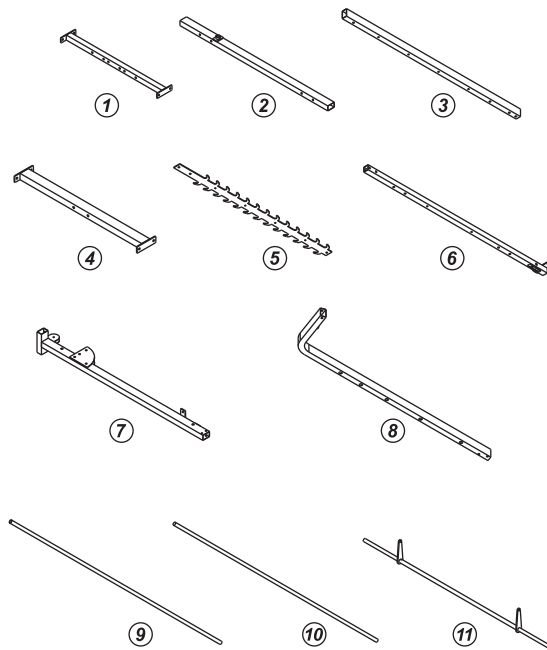
Clear your work area

Make sure that you have cleared away a large enough space to properly assemble the unit. Make sure space is flat, level and free from anything that may cause injury during assembly. After the unit is fully assembled, make sure there is a comfortable amount of free area around the unit for unobstructed operation.

Invite a friend

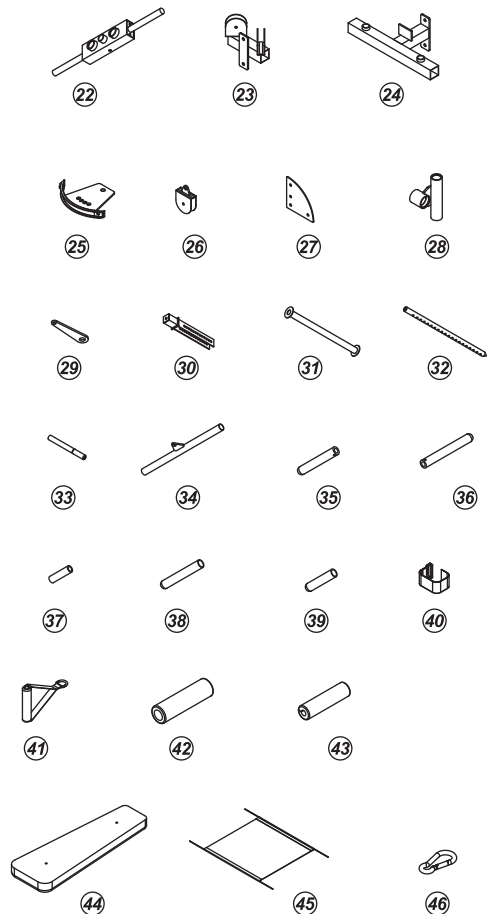
Some of the assembly steps may require heavy lifting. It is recommended that you obtain the assistance of another person when assembling this product.

NUMBER	DESCRIPTION	QUANTITY	ORDER NUMBER
1	REAR BASE	1	51551-1
2	SIDE BASE	2	51551-2
3	FRONT UPRIGHT	2	51551-3
4	TOP CONNECT BEAM	1	51551-4
5	RACK	2	51551-5
6	PEC DEC UPRIGHT	1	51551-6
7	TOP CROSS FRAME	1	51551-7
8	REAR UPRIGHT	2	51551-8
9	GUIDE ROD	2	51551-9
10	GUIDE TUBE	2	51551-10
11	LIFT BAR	1	51551-11
12	LAT BAR	1	51551-12
13	RIGHT ADJ HEIGHT ARM	1	51551-13
14	LEFT ADJ HEIGHT ARM	1	51551-14
15	RIGHT PEC DEC ARM	1	51551-15
16	LEFT PEC DEC ARM	1	51551-16
17	FOOT PLATE	1	51551-17
18	PEC DEC LOWER PULLEY BLOCK	1	51551-18
19	LAT BAR HOLDER	1	51551-19
20	LEG PRESS	2	51551-20
21	WEIGHT BASE	1	51551-21

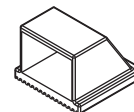


A MAJORITY OF THE LISTED HARDWARE IS ALREADY IN PLACE

NUMBER	DESCRIPTION	QUANTITY	ORDER NUMBER
22	WEIGHT TOP BLOCK	1	51551-22
23	PEC DEC TOP PULLEY BLOCK	1	51551-23
24	PEC DEC SUPPORT	1	51551-24
25	PEC DEC ADJ CAM	2	51551-25
26	SINGLE PULLEY BRACKET	1	51551-26
27	TRIANGULAR LINK PLATE	8	51551-27
28	SAFETY CATCH	2	51551-28
29	HINGE PLATE	2	51551-29
30	FLOATING PULLEY BLOCK	1	51551-30
31	WEIGHT STAND	2	51551-31
32	SELECT ROD	1	51551-32
33	WEIGHT HOLDER	10	51551-33
34	CURL BAR	1	51551-34
35	SHORT OLMPIC SLEEVE	12	51551-35
36	LONG OLMPIC SLEEVE	2	51551-36
37	CONNECT SLEEVE	2	51551-37
38	1" X 4-1/4" HAND GRIP	2	51551-38
39	1" X 8" HAND GRIP	2	51551-39
40	ANKLE STRAP	1	51551-40
41	SINGLE CURL	1	51551-41
42	4" PEC DEC FOAM PAD	2	51551-42
43	3-1/4" FOAM PAD	1	51551-43
44	BACK PAD	1	51551-44
45	FOAM BINDER	1	51551-45
46	HOOUP	3	51551-46



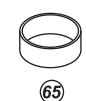
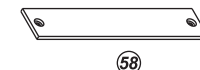
NUMBER	DESCRIPTION	QUANTITY	ORDER NUMBER
47	LINK CHAIN	1	51551-47
48	TOP CABLE	1	51551-48
49	LOWER CABLE	1	51551-49
50	PEC DEC CABLE	1	51551-50
51	PULLEY	11	51551-51
52	2" X 3" END CAP	4	51551-52
53	2" END CAP	2	51551-53
54	2" END PLUG	9	51551-54
55	2" X 3" RECT END PLUG	6	51551-55
56	CAP FOR NUT	2	51551-56
57	2" SPRING CLIP	4	51551-57
58	RECTANGLE BUMPER	2	51551-58
59	1" BUSHING (SMALL)	2	51551-59
60	1" BEARING (LONGER)	6	51551-60
61	3" RUBBER DOUGHNUT	14	51551-61
62	1-1/2" SPACER	2	51551-62
63	2" RUBBER DOUGHTNUT	4	51551-63
64	1" BEARING (SMALLER)	4	51551-64
65	2" SPACER	2	51551-65
66	1-1/8" SPACER	4	51551-66
67	POP PIN	2	51551-67
68	ADJ STOPPER	1	51551-68
69	1" PASTIC BUSHING (LARGER)	4	51551-69



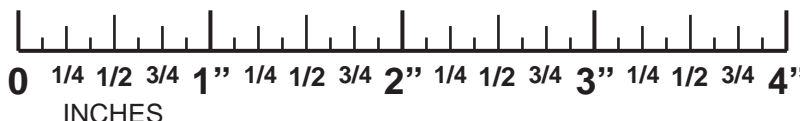
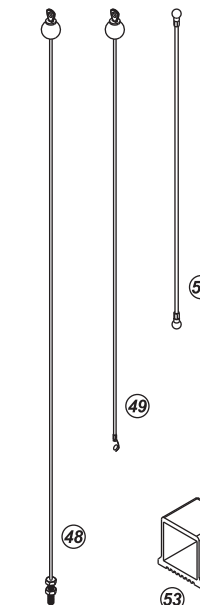
67



68

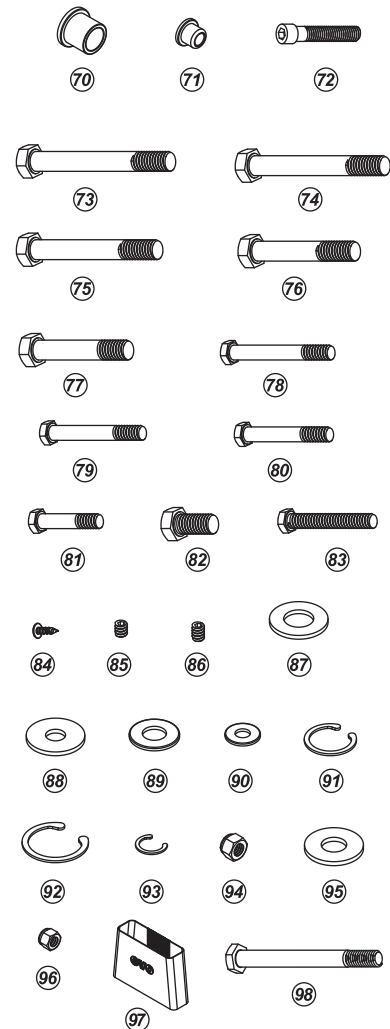


69

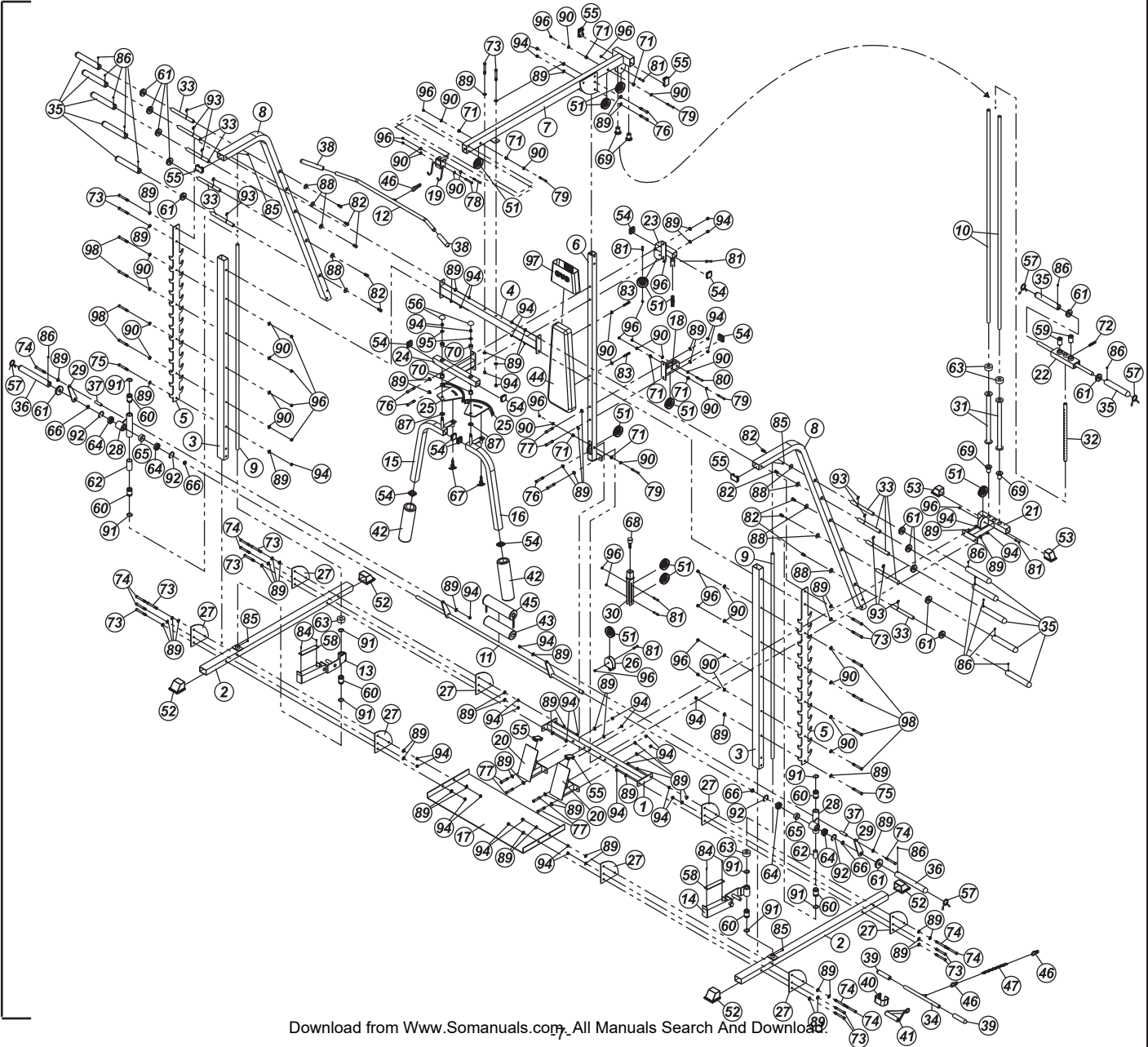


A MAJORITY OF THE LISTED HARDWARE IS ALREADY IN PLACE

NUMBER	DESCRIPTION	QUANTITY	ORDER NUMBER
70	3/4" BUSHING	4	51551-70
71	3/8" X 5/8" BUSHING	8	51551-71
72	TOP WEIGHT PLATE BOLT	1	51551-72
73	1/2" X 4-1/4" HEX HEAD BOLT	14	51551-73
74	1/2" X 4" HEX HEAD BOLT	10	51551-74
75	1/2" X 3-3/4" HEX HEAD BOLT	2	51551-75
76	1/2" X 3-1/8" HEX HEAD BOLT	6	51551-76
77	1/2" X 3" HEX HEAD BOLT	6	51551-77
78	3/8" X 3" HEX HEAD BOLT	2	51551-78
79	3/8" X 2-3/4" HEX HEAD BOLT	4	51551-79
80	3/8" X 2-1/2" HEX HEAD BOLT	1	51551-80
81	3/8" X 1-3/4" HEAD HEAD BOLT	7	51551-81
82	3/8" X 3/4" HEX HEAD BOLT	10	51551-82
83	3/8" X 2-3/4" HEX HEAD BOLT (ALL THREADED)	2	51551-83
84	3/16" X 1/2" TAPING SCREW	4	51551-84
85	5/16" X 3/8" SET SCREW	4	51551-85
86	5/16" X 1/2" SET SCREW	14	51551-86
87	3/4" X 1-1/2" WASHER	2	51551-87
88	3/8" X 1-1/4" WASHER	10	51551-88
89	1/2" X 1-1/16" WASHER	75	51551-89
90	3/8" X 7/8" WASHER	32	51551-90
91	1-3/4" "C" PIN	8	51551-91
92	2-1/4" "C" PIN	4	51551-92
93	1" "C" PIN	10	51551-93
94	1/2" NYLON NUT	40	51551-94
95	1/2" X 1-1/4" WASHER	2	51551-95
96	3/8" NYLON NUT	22	51551-96
97	BAND	1	51551-97
98	3/8" X 3-3/4" HEX HEAD SCREW	8	51551-98



MANY PARTS SHOWN HAVE BEEN PRE-ASSEMBLED BY THE FACTORY



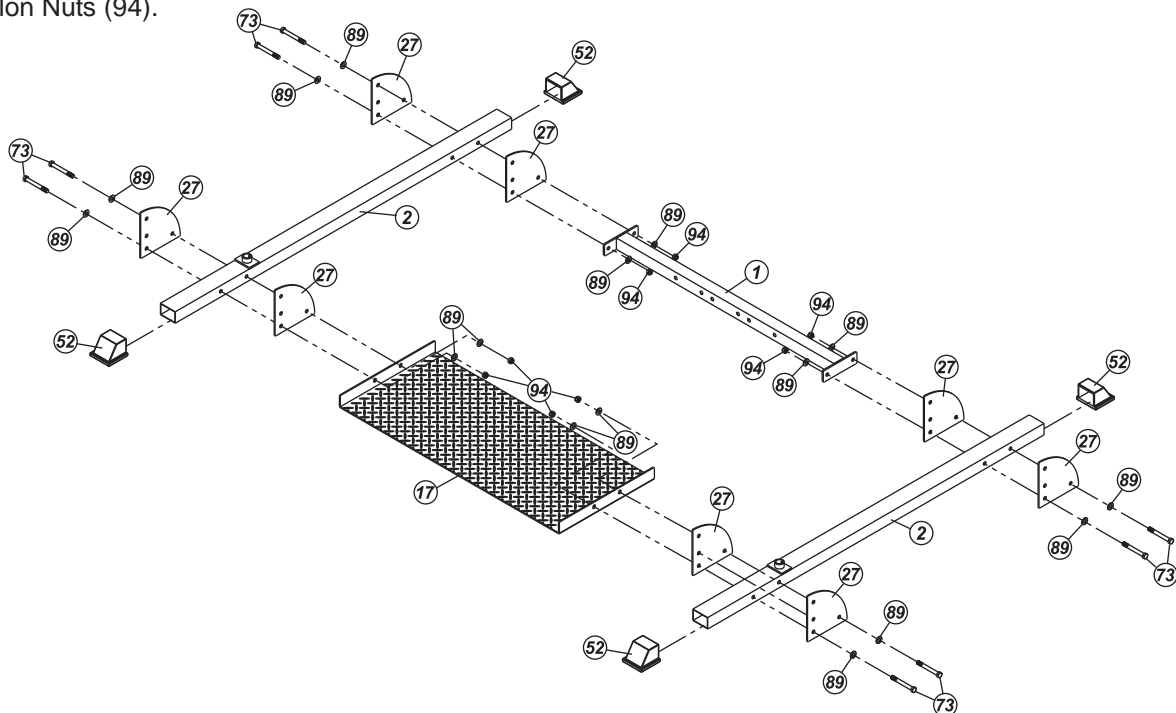
parts diagram

Step 1:

Place Rear Base (1) on the floor.

Cap the Side Bases (2) with 2" x 3" Rect End Caps (52). Attach the Side Bases (2) and Triangular Link Plates (27) to both ends of the Rear Base (1) and secure using 1/2" x 4-1/4" Hex Head Bolts (73), 1/2" x 1-1/16" Washers (89) and 1/2" Nylon Nuts (94).

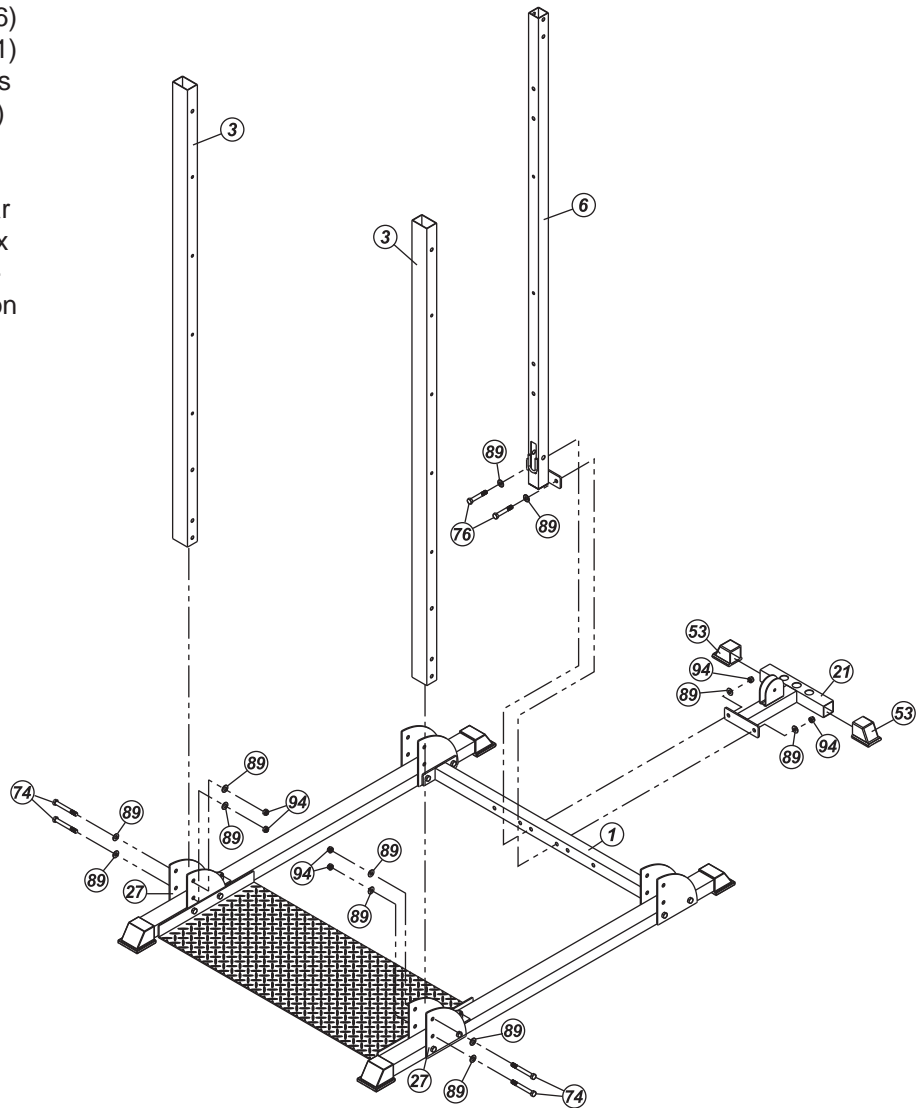
Attach Side Base (2) and Triangular Link Plates (27) to both sides of the Foot Plate (17) each using two 1/2" x 4-1/4" Hex Head Bolts (73), four 1/2" x 1-1/16" Washers (89) and two 1/2" Nylon Nuts (94).



Step 2:

Cap Weight Base (21) with 2" Sq End Caps (53). Attach Pec Dec Upright (6) and Weight Base (21) to Rear Base (1) using two 1/2 x 3-1/8" Hex Head Bolts (76), four 1/2 x 1-1/16" Washers (89) and two 1/2" Nylon Nuts (94).

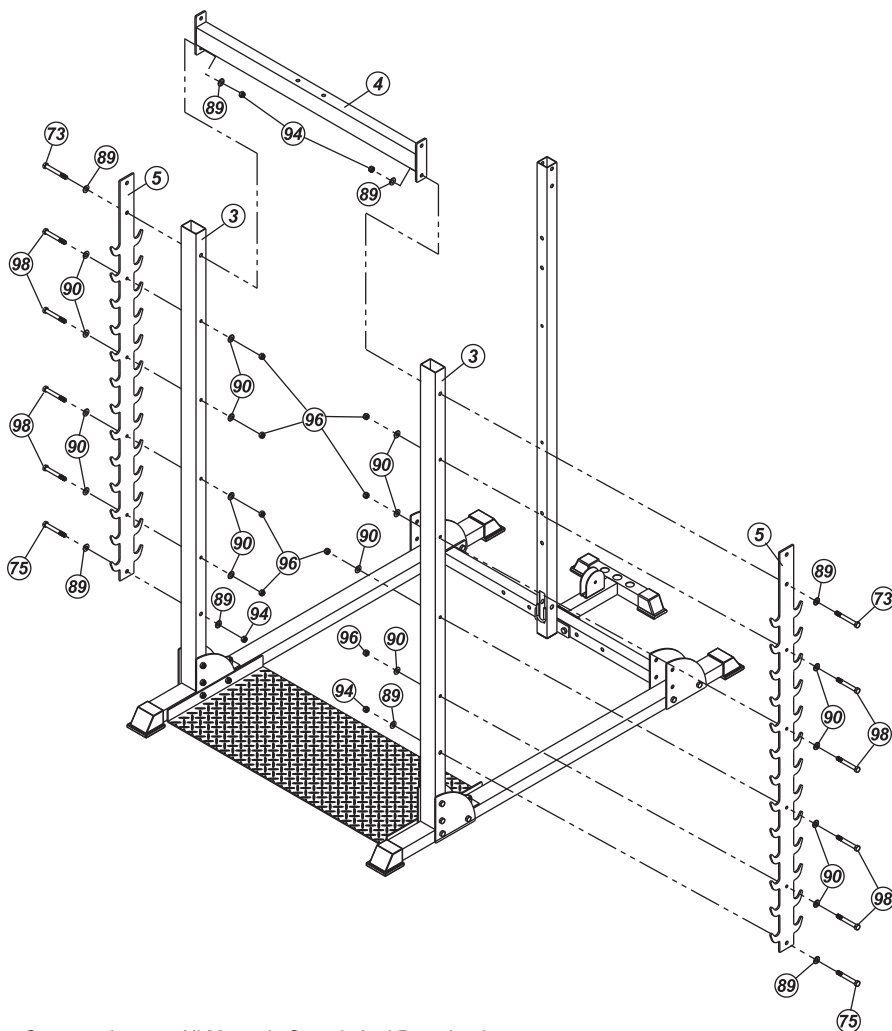
Attach Front Uprights (3) to Triangular Link Plates (27) each using two 1/2" x 4" Hex Head Bolts (74), four 1/2" x 1-1/16" Washers (89) and two 1/2" Nylon Nuts (94).



Step 3:

Attach Racks (5) to Front Uprights (3) each using four $\frac{3}{8}$ " x $3\text{-}\frac{3}{4}$ " Hex Head Bolts (98), eight $\frac{3}{8}$ " x $\frac{7}{8}$ " Washers (90), four $\frac{3}{8}$ " Nylon Nuts (96), $\frac{1}{2}$ " x $3\text{-}\frac{3}{4}$ " Hex Head Bolt (75), two $\frac{1}{2}$ " x $1\text{-}\frac{1}{16}$ " Washers (89) and $\frac{1}{2}$ " Nylon Nut (94).

Attach both Front Uprights (3) and Racks (5) to the Top Connect Beam (4) each side using $\frac{1}{2}$ " x $4\text{-}\frac{1}{4}$ " Hex Head Bolts (73), two $\frac{1}{2}$ " x $1\text{-}\frac{1}{16}$ " Washers (89) and $\frac{1}{2}$ " Nylon Nuts (94).



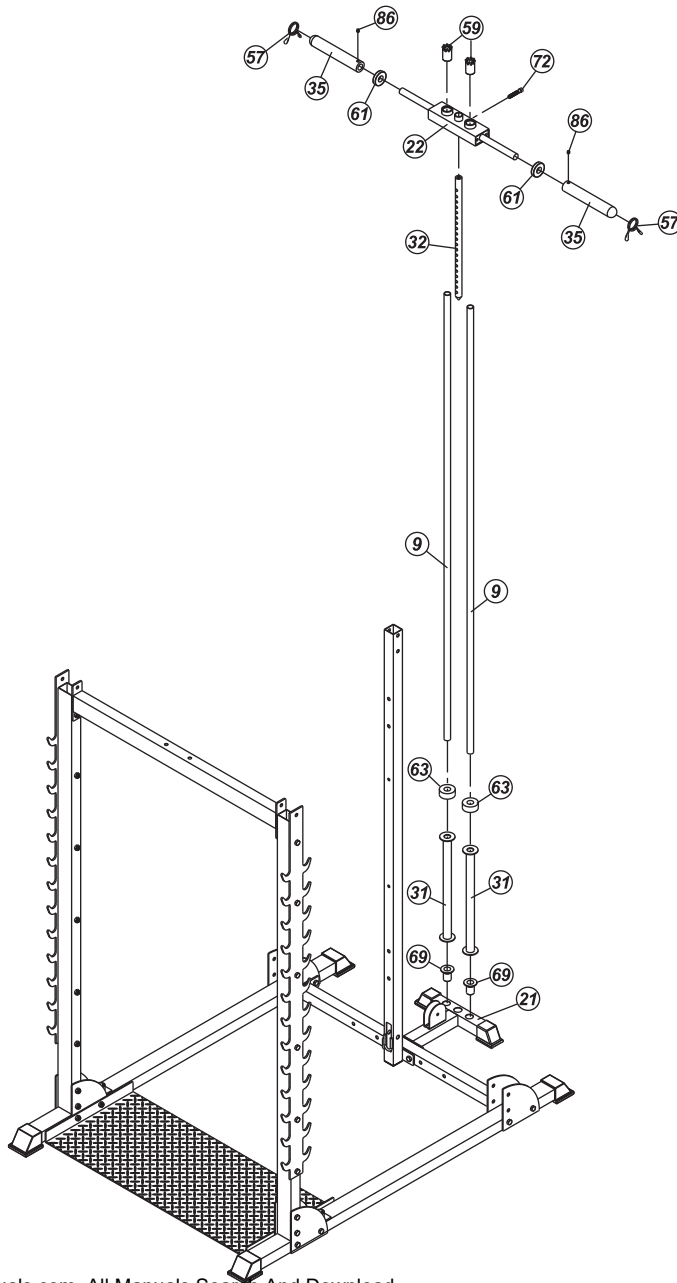
Step 4:

Insert the 1" Bushings (69) to the holes in Weight Base (21).

Insert the Guide Rods (9) through the 2" Rubber Doughnuts (63), Weight Stands (31) and into the holes in the Weight Base (21).

Insert two 1" Bushings (59) into the Weight Top Block (22). Attach the Select Rod (32) to the Weight Top Block (22) using Top Weight Plate Bolt (72). Insert the Weight Top Block (22) over the Guide Rods (9).

Slide 3" Rubber Doughnuts (61) and Short Olympic Sleeves (35) onto both ends of the Weight Top Block (22) and secure with 5/16" x 1/2" Set Screws (86). Attach 2" Spring Clips (57) to Short Olympic Sleeves (35).

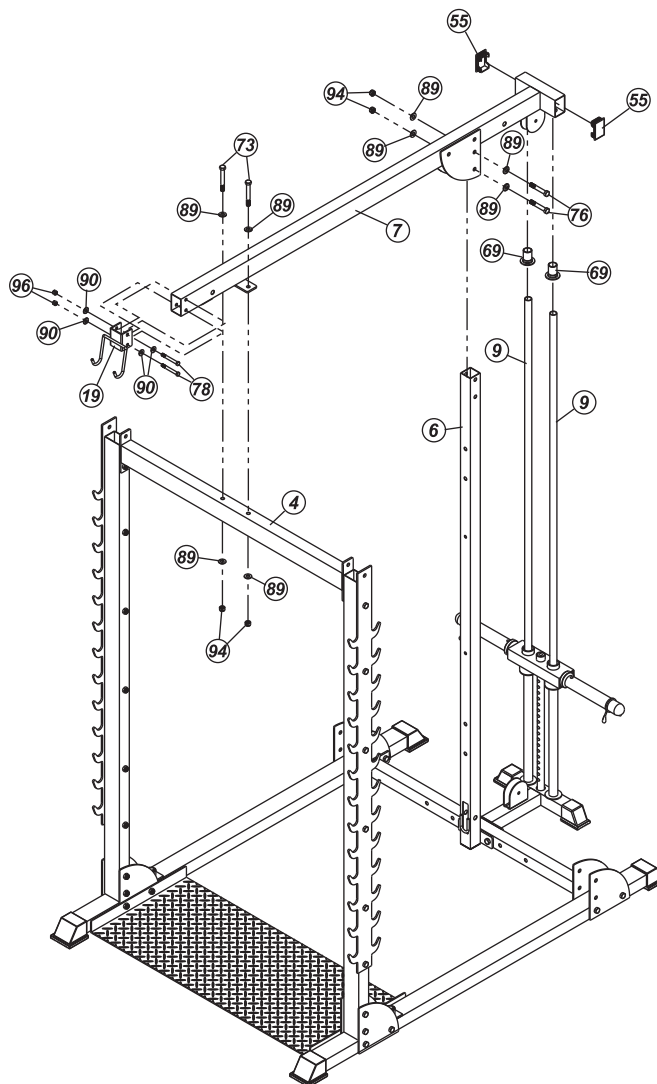


Step 5:

Attach the Lat Bar Holder (19) to the Top Cross Frame (7) using two 3/8" x 3" Hex Head Bolts (78), four 3/8" x 7/8" Washers (90) and two 3/8" Nylon Nuts (96).

Cap Top Cross Frame (7) with 2" x 3" Rect End Plugs (55). Insert two 1" Bushing (69) into the holes under the Top Cross Frame (7).

Slide Top Cross Frame (7) over the two Guide Rods (9). Align the mounting holes in the Top Cross Frame (7) with the holes in the Pec Dec Upright (6) then secure with two 1/2" x 3-1/8" Hex Head Bolts (76), four 1/2" x 1-1/16" Washers (89) and two 1/2" Nylon Nuts (94). Attach Top Cross Frame (7) to the Top Connect Beam (4) using two 1/2" x 4-1/4" Hex Head Bolts (73), four 1/2" x 1-1/16" Washers (89) and two 1/2" Nylon Nuts (94).

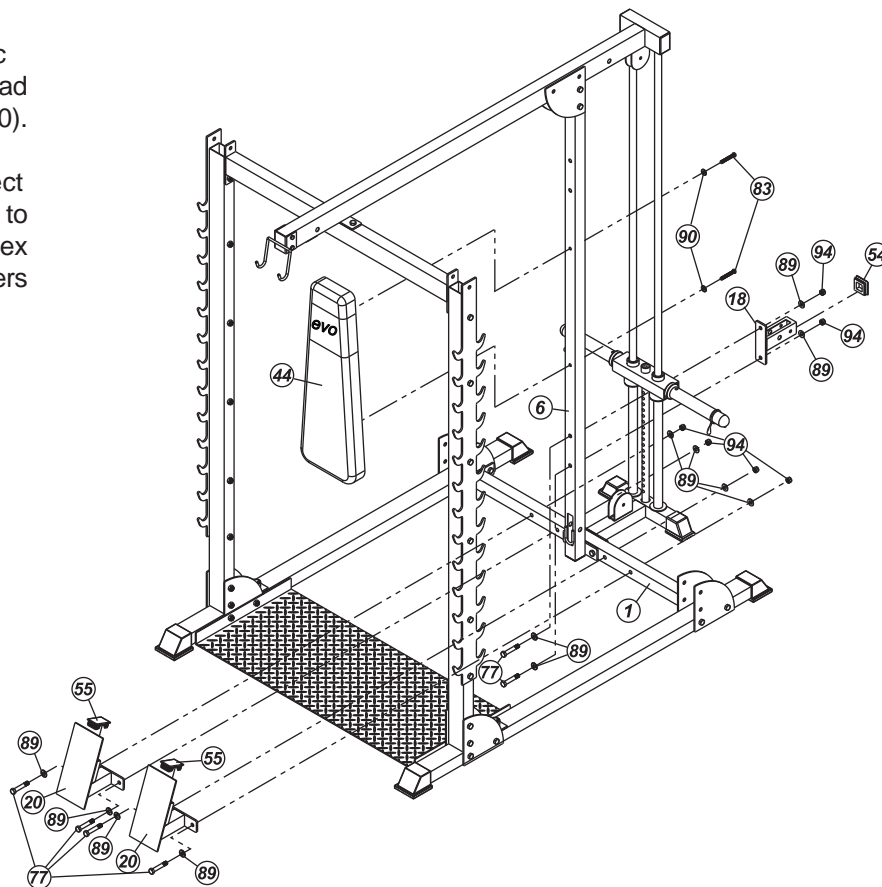


Step 6:

Cap the Pec Dec Lower Pulley Block (18) with 2" End Plug (54). Attach the Pec Dec Lower Pulley Block (18) to the Pec Dec Upright (6) using two 1/2" x 3" Hex Head Bolts (77), four 1/2" x 1-1/16" Washers (89) and two 1/2" Nylon Nuts (94).

Attach the Back Pad (44) to the Pec Dec Upright (6) using two 3/8" x 2-3/4" Hex Head Bolts (83) and two 3/8" x 7/8" Washers (90).

Cap the Leg Presses (20) with 2" x 3 Rect End Plugs (55). Attach Leg Presses (20) to Rear Base (1) each using two 1/2" x 3" Hex Head Bolts (77), four 1/2" x 1-1/16" Washers (89) and two 1/2" Nylon Nuts (94).



ASSEMBLY

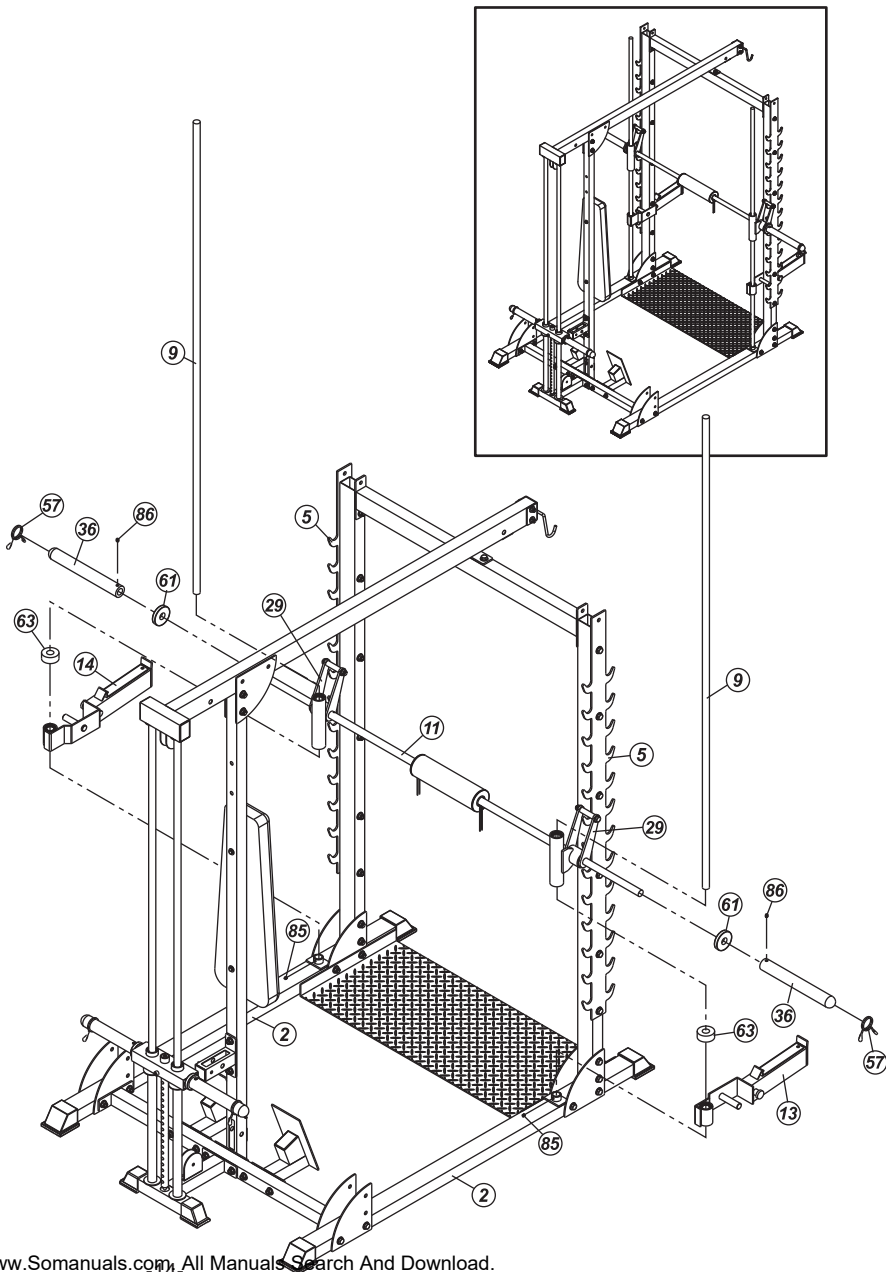
Step 7:

Hook the Lift Bar (11) onto the Racks (5).

NOTE: The Hinge Plate (29) MUST face front.

Insert the Guide Rod (9) through the sleeve on Lift Bar (11), 2" Rubber Doughnut (63), Right Adj Height Arm (13) and into the sleeve on Side Base (2). Then secure with 5/16" x 3/8" Set Screw (85). Hook Left Adj Height Arm (14) onto Rack (5). Repeat the same procedure for left side of Lift Bar (11) and Left Adj Height Arm (14).

Slide 3" Rubber Doughnut (61) and Long Olympic Sleeve (36) onto each end of Lift Bar (11). Secure Long Olympic Sleeve (36) with 5/16" x 1/2" Set Screw (86). Attach 2" Spring Clip (57) to Long Olympic Sleeve (36).



Step 8:

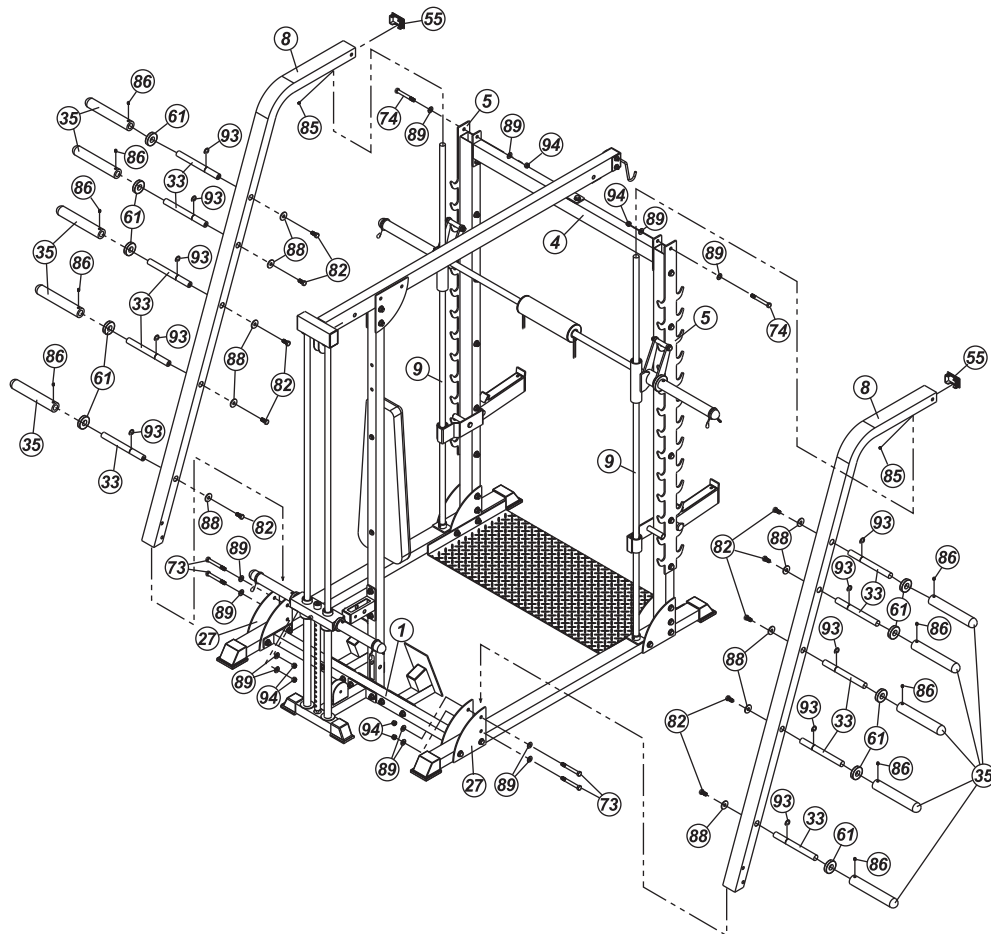
Cap Rear Upright (8) with 2" x 3" Rect End Plug (55). Insert Guide Rod (9) into the sleeve on Rear Upright (8) by placing Rear Upright (8) top-down. Attach Rear Upright (8) to Triangular Link Plates (27) using two 1/2" x 4-1/4" Hex Head Bolts (73), four 1/2" x 1-1/16" Washers (89) and two 1/2" Nylon Nuts (94).

Attach each Rear Upright (8) to Rack (5) and Top Connect Beam (4) using 1/2" x 4" Hex Head Bolt (74), two 1/2" x 1-1/16" Washers (89) and 1/2" Nylon Nut (94). Attach 1" "C" Pin (93) to Weight Holder (33). Insert Weight Holders (33) into the holes in Rear Upright (8).

NOTE: The threaded end of Weight Holder (33) **MUST** face inner side.

Then tighten with 3/8" x 1-1/4" Washer (88) and 3/8" x 3/4" Hex Head Bolt (82).

Slide 3" Rubber Doughnut (61) and Short Olympic Sleeve (35) onto Weight Holder (33) and secure with 5/16" x 1/2" Set Screw (86). Secure Guide Rods (9) with 5/16" x 3/8" Set Screws (85).



Step 9:

Cap Pec Dec Top Pulley Block (23) with 2" End Plugs (54). Cap Pec Dec Support (24) with 2" End Plugs (54). Insert four 3/4" Bushings (70) into the sleeves on the Pec Dec Support (24).

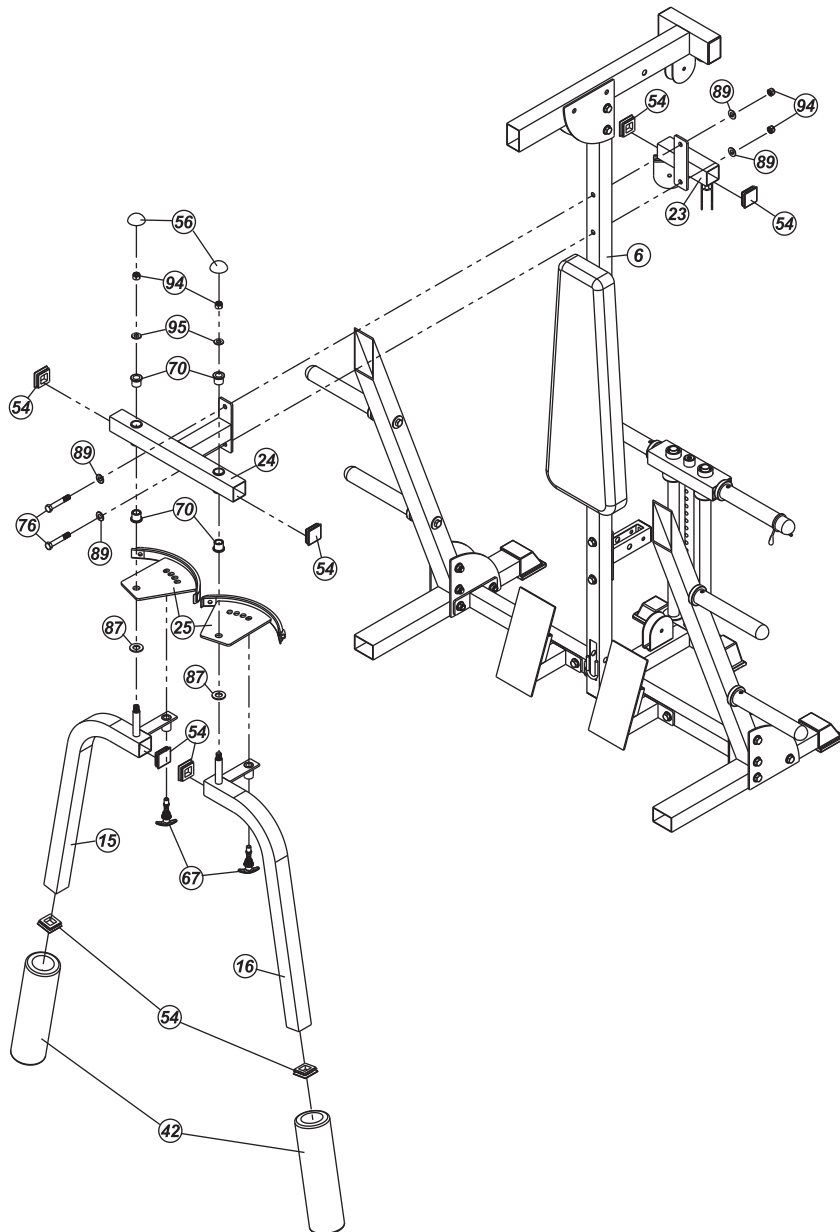
Attach Pec Dec Top Pulley Block (23) and Pec Dec Support (24) to the Pec Dec Upright (6) using two 1/2" x 3-1/8" Hex Head Bolts (76), four 1/2" x 1-1/16" Washers (89) and two 1/2" Nylon Nuts (94).

Cap Right Pec Dec Arm (15) with two 2" Sq End Plugs (54). Slide 3/4" x 1-1/2" Washer (87) and Pec Dec Adj Cam (25) onto the Right Pec Dec Arm (15).

NOTE: The ringlet on the Pec Dec Adj Cam (25) **MUST** face outside.

Lock the Pec Dec Adj Cam (25) with Pop Pin (67). Slide the Right Pec Dec Arm (15) onto the Pec Dec Support (24) and secure with 1/2" x 1-1/4" Washer (95) and 1/2" Nylon Nut (94). Cap 1/2" Nylon Nut (94) with Cap for Nut (56). Slide the 4" Pec Dec Foam Pad (42) onto the Right Pec Dec Arm (15).

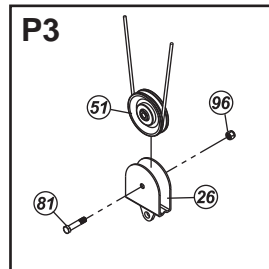
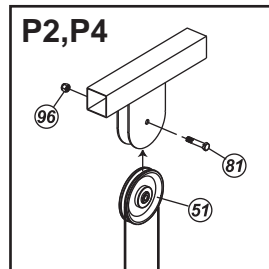
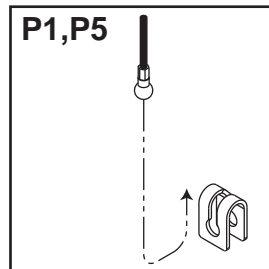
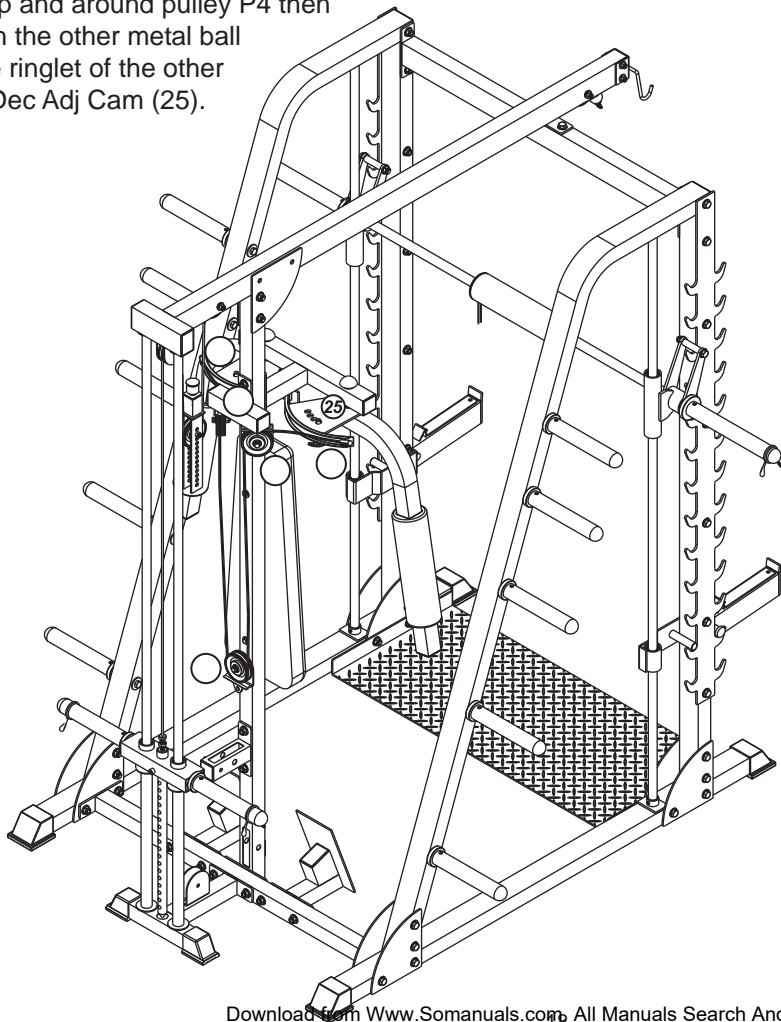
Repeat the same procedure for the Left Pec Dec Arm (16), Pec Dec Adj Cam (25) and Pec Dec Support (24).



Step 11:

ROUTING THE PEC DEC CABLE:

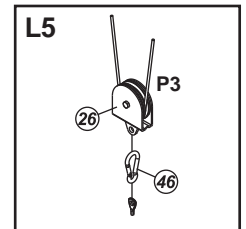
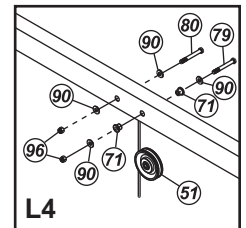
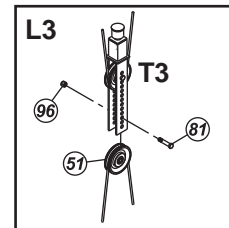
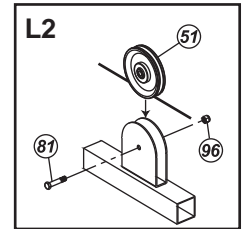
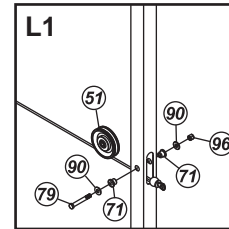
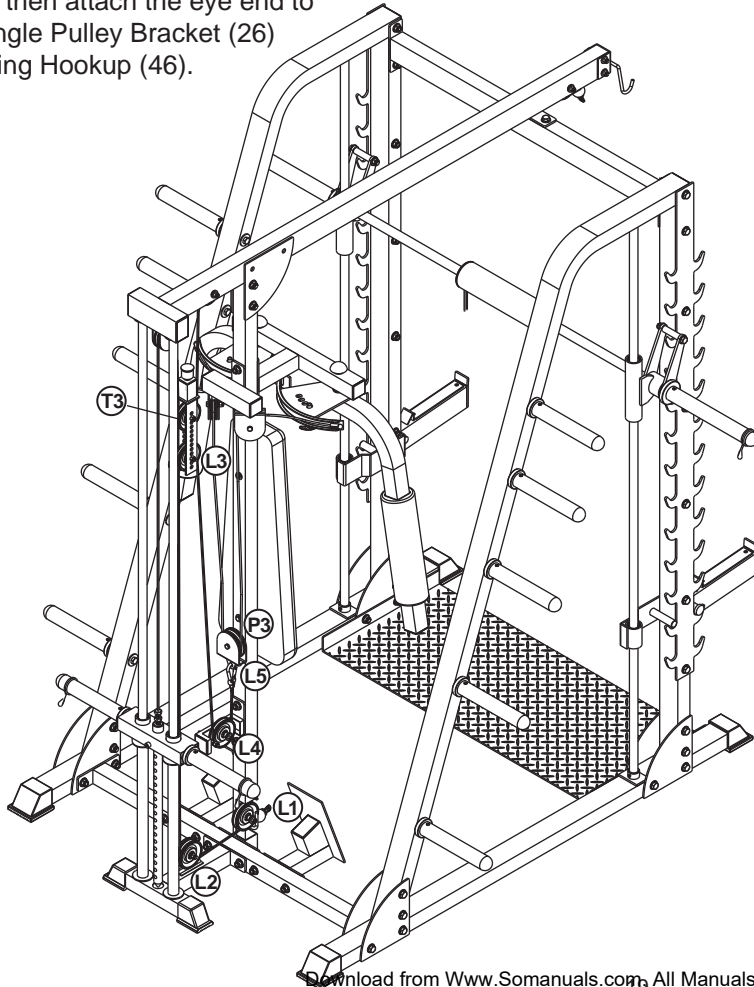
Attach the metal ball to the ringlet of the Pec Dec Adj Cam (25). Route the cable over pulley P2, down and around pulley P3, up and around pulley P4 then attach the other metal ball to the ringlet of the other Pec Dec Adj Cam (25).



Step 12:

ROUTING THE LOWER CABLE:

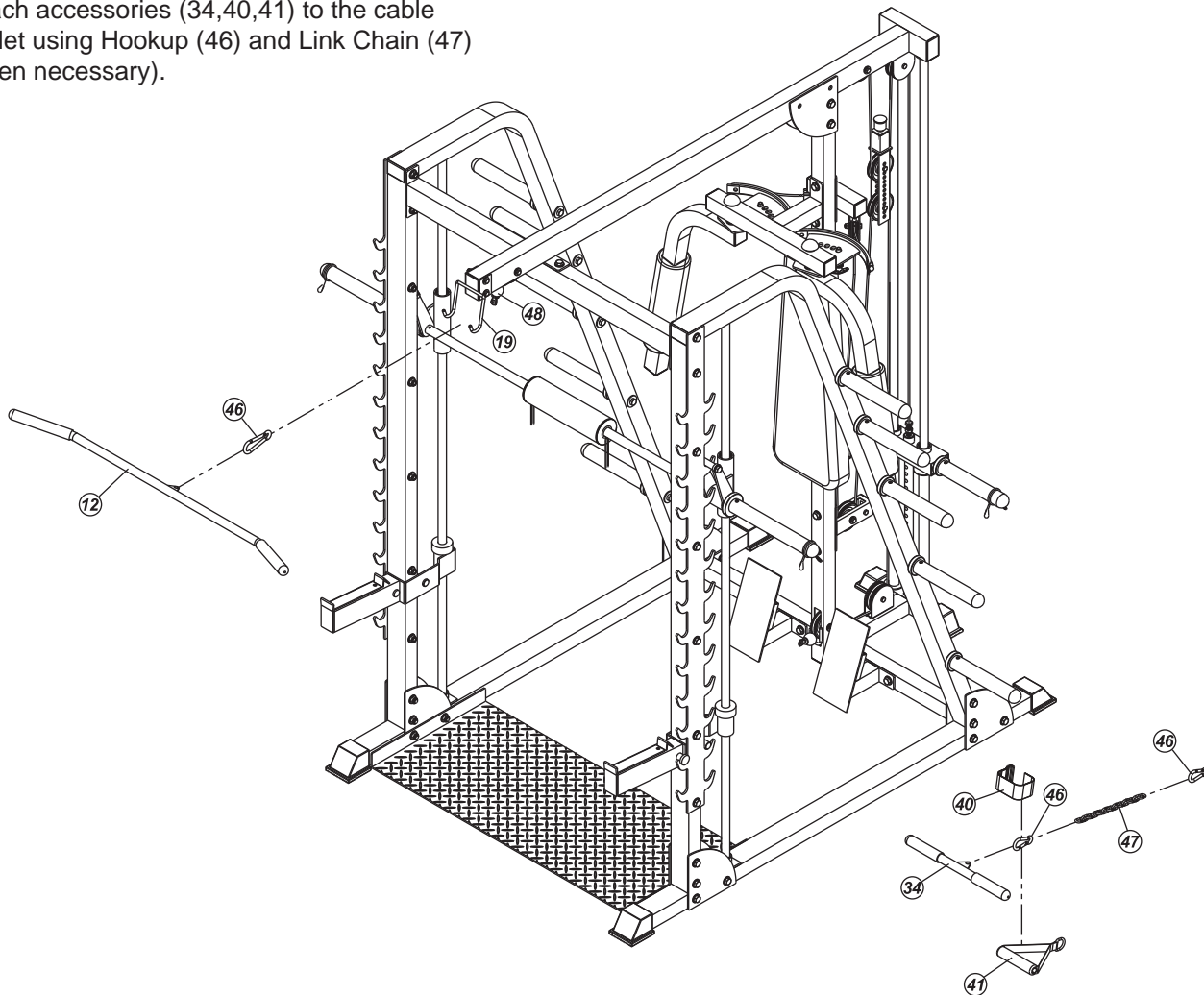
Insert the eye end of Lower Cable (49) through pulley L1. Route Cable beneath pulley L1 continue through pulley L2, up and around pulley L3, down and around pulley L4 then attach the eye end to Single Pulley Bracket (26) using Hookup (46).



Step 13:

Attach the Lat Bar (12) to the eyelet of Top Cable (48) using Hookup (46) then place Lat Bar (12) on the hook of Lat Bar Holder (19).

Attach accessories (34,40,41) to the cable eyelet using Hookup (46) and Link Chain (47) (when necessary).



Warranty Coverage: Smooth Fitness, Inc. ("Smooth Fitness") warrants to the original purchaser that each new product to be free from defects in workmanship and material, under normal use and conditions.

Period of Coverage: The Warranty on this product runs for the period of the lifetime of the original purchaser. This is a Parts-only Warranty, labor is not included. Smooth Fitness reserves the right to inspect damaged parts for misuse.

It is recommended that the Original Receipt be kept with the product manual.

Remedy Provided by Smooth Fitness: Smooth Fitness will provide a replacement part free of charge if a defect is found during the Warranty period. You must pay any charges for shipping and handling outside of the Continental United States and for labor. To obtain service call your local Smooth Retailer.

Parts repaired or replaced pursuant to this Warranty shall be warranted for the unexpired portion of the Warranty applying to the original product. Any technical advice furnished before or after delivery in regard to the use or application of Smooth Fitness products is furnished without charge and on the basis that it represents Smooth Fitness' best judgment under the circumstances but that the advice is used at your sole risk.

Procedure for Obtaining Your Remedy Under This Warranty: To obtain service call your local Smooth Retailer. To help us assist you, please have the following information ready:

Model name or number from the cover of the manual;
Serial number located on the frame of the unit; and
The part description and the order number.

Limitations on Warranty: This Warranty will only apply to the original end user. This Warranty does not cover any problems, damages or failures that are caused by accident, improper assembly, failure to observe cautionary labels on the product, failure to operate the product correctly, abuse or freight damage. Smooth Fitness does not warrant against any damage or defects that may result from repair or alterations made to the product by an unauthorized repair facility.

This Warranty shall terminate if you sell or otherwise transfer this product. This Warranty does not apply to any product shipped or handled outside of the United States. This Warranty does not apply if the product is used for rental or commercial use. Consequential and incidental damages are not recoverable under this Warranty. (Some states do not allow the exclusion or limitation of incidental or consequential damages, so the above limitation or exclusion may not apply to you.)

THIS WARRANTY IS EXPRESSLY IN LIEU OF ALL OTHER EXPRESS WARRANTIES. ALL IMPLIED WARRANTIES, INCLUDING WARRANTIES OF MERCHANTABILITY OR FITNESS FOR ANY PARTICULAR PURPOSE, ARE LIMITED IN DURATION TO ONE (1) YEAR FROM THE EFFECTIVE DATE OF THIS WARRANTY. SMOOTH FITNESS IS NOT LIABLE FOR CONSEQUENTIAL OR INCIDENTAL DAMAGES RESULTING FROM ANY DEFECT IN PARTS NOR FOR ANY BREACH OF EXPRESS OR IMPLIED WARRANTIES. SMOOTH FITNESS' SOLE LIABILITY UNDER THIS WARRANTY IS LIMITED TO THE TERMS DESCRIBED IN THIS FORM.

THIS WARRANTY GIVES YOU SPECIFIC LEGAL RIGHTS, AND YOU MAY ALSO HAVE OTHER RIGHTS WHICH VARY FROM STATE TO STATE.

For assistance with assembly or to order replacement parts, simply call your local Smooth Retailer. To help them assist you, please have the following information ready:

Model name or number from the cover of the manual;
Serial number located on the frame of the unit; and
The part description and order number.

Warning

Before using this product, please consult your personal physician for a complete physical examination. Frequent and strenuous exercise should be approved by your doctor. If any discomfort should result from your use of this product, stop exercising and consult your doctor. Proper usage of this product is essential. Please read your manual carefully before exercising.

Please keep all children away from the equipment during use and when equipment is unattended.

Always wear appropriate clothing, including athletic shoes, when exercising. Do not wear loose clothing that could become caught during exercising.

Make sure that all bolts and nuts are tightened when equipment is in use. Periodic maintenance is required on all exercise equipment to keep it in good condition.

Before beginning

How you begin your exercise program depends on your physical condition. If you have been inactive for several years, or are severely overweight, you must start slowly and increase your time gradually, a few minutes per week.

Initially you may be able to exercise only for a few minutes in your target zone. However, your aerobic fitness will improve over the next six to eight weeks. Don't be discouraged if it takes longer. It's important to work at your own pace. Ultimately, you'll be able to exercise continuously for 30 minutes. And the better your aerobic fitness, the harder you will have to work to stay in your target zone. But remember these essentials:

>Contact your physician before starting a workout or training program. Have your doctor review your training and diet programs to advise you of a workout routine you should adopt.

>Begin your training program slowly with realistic goals that have been set by you and your doctor.

>Supplement your program with some type of aerobic exercise such as walking, jogging, swimming, dancing and/or bicycling.

Monitor your pulse frequently. If you do not have an electronic heart rate monitor, have your physician show you the proper way to manually check your pulse by using your wrist or neck. Establish your target heart rate based on your age and condition.

>Drink plenty of fluids during the course of your routine. You must replace the water content lost from excessive exercising to avoid dehydration. Avoid drinking large amounts of cold liquids. Fluids should be at room temperature when consumed.



The Surgeon General has determined that lack of physical activity is detrimental to your health.™

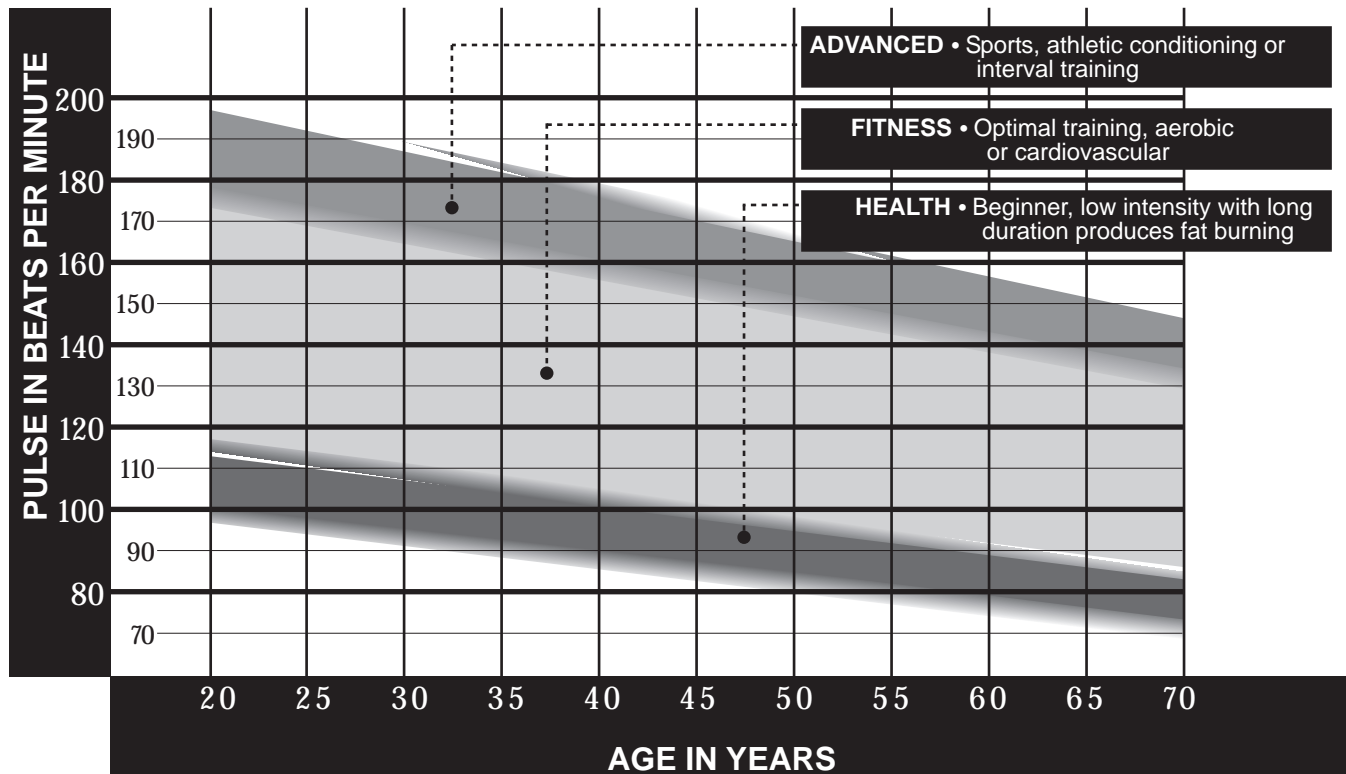
Finding your pulse

To make sure your heart is beating in its target zone, you'll need to know how to monitor your heart rate. The easiest way is to feel the pulse in the carotid artery on either side of your neck, between the windpipe and the large neck muscles. Count

the number of beats in ten seconds, then multiply by six. This gives you the number of beats per minute.

How fast should your heart beat during aerobic exercise? Fast enough to reach and stay in its

"target zone," a range of beats per minute that is largely determined by your age and physical condition. To determine your target zone, consult the chart we have provided.

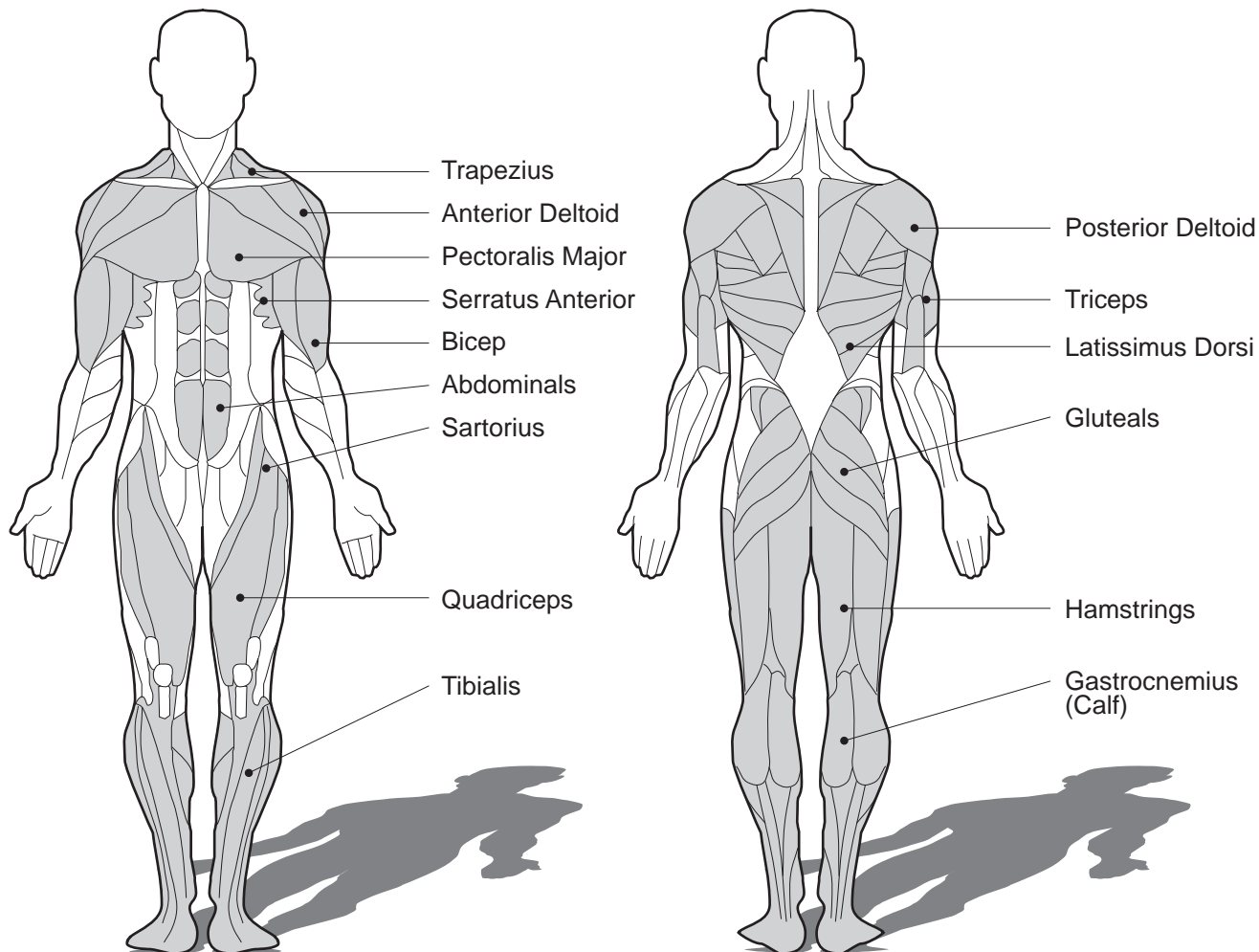


Aerobic exercise is any sustained activity that sends oxygen to your muscles via your heart and lungs. It will improve the fitness of your lungs and heart: your body's

most important muscle. Aerobic fitness is promoted by any activity that uses your large muscle groups - arms, legs or buttocks, for example. Your heart beats quickly and you

breath deeply. An aerobic exercise should be part of your entire exercise routine.

The exercise routine that is performed on this product will develop both upper and lower body muscle groups. These muscle groups are shown on the chart below.



A successful exercise program consists of a warm-up, aerobic exercise, and a cool-down. Do the entire program at least two and preferably three times a week, resting for a day between workouts. After several months, you can increase your workouts to four or five times per week.

Warming up is an important part of your workout, and should begin every session. It prepares your body for more strenuous exercise by heating up and stretching out your muscles, increasing your circulation and pulse rate, and delivering more oxygen to your muscles. At the end of your workout, repeat these exercises to reduce sore muscle problems. We suggest the following warm-up and cool-down exercises:



Head Roll

Rotate your head to the right for one count, feeling the stretch up the left side of your neck. Next, rotate your head back for one count, stretching your chin to the ceiling and letting your mouth open. Rotate your head to the left for one count, and finally, drop your head to your chest for one count.

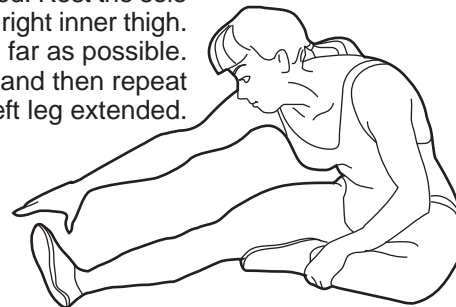


Inner Thigh Stretch

Sit with the soles of your feet together with your knees pointing outward. Pull your feet as close into your groin as possible. Gently push your knees towards the floor. Hold for 15 counts.

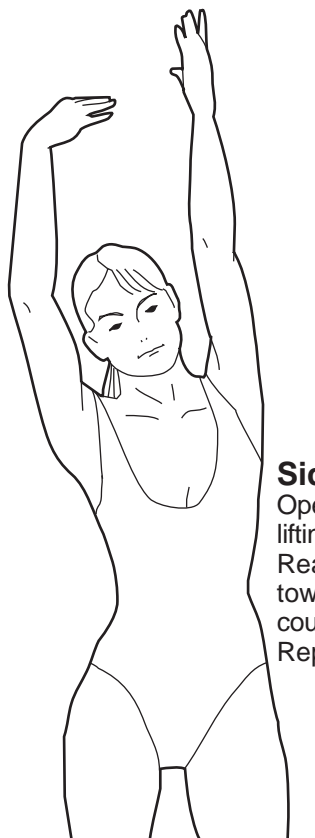
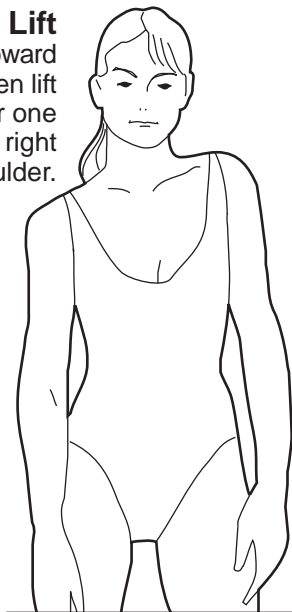
Hamstring Stretch

Sit with your right leg extended. Rest the sole of your left foot against your right inner thigh. Stretch toward your toe as far as possible. Hold for 15 counts. Relax and then repeat with left leg extended.



Shoulder Lift

Lift your right shoulder up toward your ear for one count. Then lift your left shoulder up for one count as you lower your right shoulder.

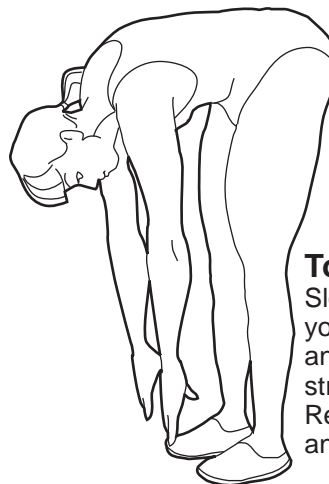
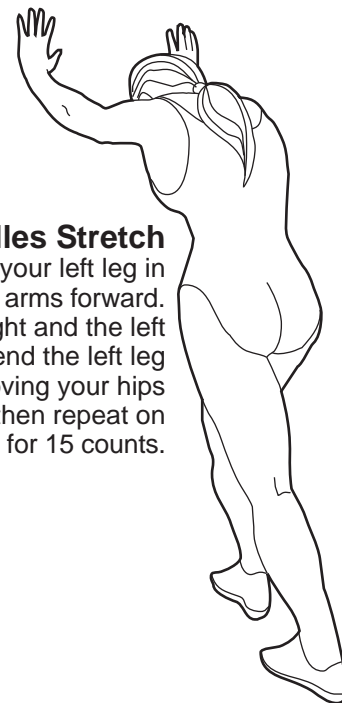


Side Stretch

Open your arms to the side and continue lifting them until they are over your head. Reach your right arm as far upward toward the ceiling as you can for one count. Feel the stretch up your right side. Repeat this action with your left arm.

Calf-Achilles Stretch

Lean against a wall with your left leg in front of the right and your arms forward. Keep your right leg straight and the left foot on the floor; then bend the left leg and lean forward by moving your hips toward the wall. Hold, then repeat on the other side for 15 counts.



Toe Touch

Slowly bend forward from your waist, letting your back and shoulders relax as you stretch toward your toes. Reach down as far as you can and hold for 15 counts.



Smooth Fitness
717 Fellowship Road
Suite C
Mt. Laurel, NJ 08054

Copyright © 2002

Download from www.Somanuals.com. All Manuals Search And Download.

Free Manuals Download Website

<http://myh66.com>

<http://usermanuals.us>

<http://www.somanuals.com>

<http://www.4manuals.cc>

<http://www.manual-lib.com>

<http://www.404manual.com>

<http://www.luxmanual.com>

<http://aubethermostatmanual.com>

Golf course search by state

<http://golfingnear.com>

Email search by domain

<http://emailbydomain.com>

Auto manuals search

<http://auto.somanuals.com>

TV manuals search

<http://tv.somanuals.com>