

POWER WASH 575E

Instruction Manual



from software version 1.0
(instruction version 1.0)

This side is intentionally unlabelled.

Table of contents

1	Description of Device	7
1.1	Safety Instructions.....	8
2	Preparation and Installation	9
2.1	Mounting.....	9
2.1.1	<i>Clamps</i>	9
2.2	Secure the POWER WASH 575E	10
2.3	Connections.....	11
2.3.1	<i>Power supply</i>	11
2.3.2	<i>DMX</i>	11
2.4	Fuse.....	11
3	The Menu Field	12
3.1	Adjust the DMX- Address (D001).....	13
3.2	The Test Program (TEST).....	14
3.3	The Audio Program (AUDI).....	14
3.4	Lamp On/Off (LAMP).....	14
3.5	Reset (RESE).....	15
3.6	Running time of lamp and unit (TIME).....	15
3.7	Continuous Color Wheel (FCOL).....	15
3.8	Invert Pan Movement (RPAN).....	15
3.9	Invert Tilt Movement (RTLTL).....	15
3.10	Special Functions (SPEC).....	16
3.10.1	<i>Manual Drive (MANU)</i>	16
3.10.2	<i>Lamp On automatically (LAAU)</i>	16
3.10.3	<i>Lamp Off via DMX (DLOF)</i>	17
3.10.4	<i>DMX Input (DMXI)</i>	17
3.10.5	<i>Display (DISP)</i>	18
3.10.6	<i>Fixture Temperature (TEMP)</i>	18
3.10.7	<i>Fan Control (FANS)</i>	18
3.10.8	<i>Adjustments and Calibrations (ADJU)</i>	19
3.10.9	<i>Default Settings (DFSE)</i>	20
3.10.10	<i>Position Feedback (FEED)</i>	20
3.10.11	<i>Correction of faults (EFLG)</i>	20

3.11 Error and Information Messages.....	20
4 DMX Channel Selection (DMX Protocol).....	22
5 Change the Lamp.....	24
5.1 Safety Regulations.....	24
5.2 Realize the Lamp Change	24
6 Maintenance and Cleaning the POWER WASH 575E.....	25
6.1 Safety Regulations.....	25
6.2 Circumference and Interval (rule-of-thumb).....	25
6.3 Cleaning the Optical System	26
7 Technical Specification.....	26
8 Index	30

INTRODUCTION: Congratulations, you have just purchased one of the most innovative and reliable lighting fixtures on the market today! The Power Wash 575E™, has been designed to perform reliably for years when the guidelines in this booklet are followed. Please read and understand the instructions in this manual carefully and thoroughly before attempting to operate this unit. These instructions contain important information regarding safety during use and maintenance.

UNPACKING: Thank you for purchasing the Power Wash 575E™ by Elation Professional®. Every Power Wash 575E™ has been thoroughly tested and has been shipped in perfect operating condition. Carefully check the shipping carton for damage that may have occurred during shipping. If the carton appears to be damaged, carefully inspect your unit for damage and be sure all accessories necessary to operate the unit have arrived intact. In the event damage has been found or parts are missing, please contact our customer support team for further instructions. Please do not return this unit to your dealer without first contacting customer support at the number listed below.

CUSTOMER SUPPORT: Elation Professional® provides a customer support line, to provide set up help and to answer any question should you encounter problems during your set up or initial operation. You may also visit us on the web at www.elationlighting.com for any comments or suggestions. For service related issue please contact Elation Professional®. Service Hours are Monday through Friday 9:00 a.m. to 5:00 p.m. Pacific Standard Time.

Voice: (323) 582-3322

Fax: (323) 582-3108

E-mail: support@elationlighting.com

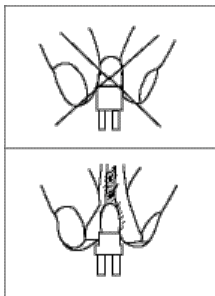
Forum: www.ElationLighting.com/forum/

Warning! To prevent or reduce the risk of electrical shock or fire, do not expose this unit to rain or moisture.

Caution! There are no user serviceable parts inside this unit. Do not attempt any repairs yourself, doing so will void your manufactures warranty.

Please do not discard the shipping carton in the trash. Please recycle whenever possible.

WARRANTY REGISTRATION: The Power Wash 575E™ carries a two year (730 days) limited warranty. Please fill out the enclosed warranty card to validate your purchase. All returned service items whether under warranty or not, must be freight pre-paid and accompany a return authorization (R.A.) number. The R.A. number must be clearly written on the outside of the return package. A brief description of the problem as well as the R.A. number must also be written down on a piece of paper and included in the shipping container. If the unit is under warranty, you must provide a copy of your proof of purchase invoice. Items returned without a R.A. number clearly marked on the outside of the package will be refused and returned at customer's expense. You may obtain a R.A. number by contacting customer support at (323) 582-3322.



DISCHARGE LAMP WARNING: This fixture is fitted with a discharge lamp, which is highly susceptible to damage if improperly handled. Never touch the lamp with your bare hands, as the oil from your hands will shorten lamp life. Also, never move the fixture until the lamps have had ample time to cool. Remember, lamps are not covered under warranty conditions.

This fixture emits intense UV radiation, which is harmful to the eyes and skin. The intense luminance of the lamp can cause severe damage to the retina. Never operate this fixture with the protective covers removed, these covers have been specially designed to shield against UV radiation.

Epileptic Warning: Those suffering from epilepsy should avoid looking directly into the lamp at all times.

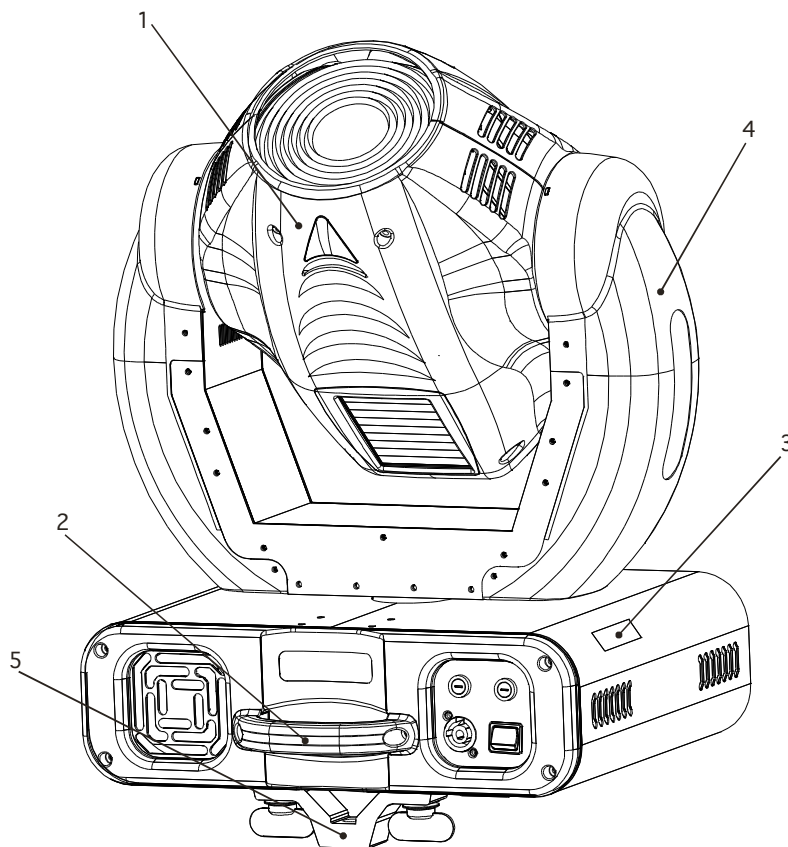
Avoid switching the fixture on and off repeatedly in short intervals, as this will reduce lamp life and intensity.

To achieve the intensity associated with discharge lamps, these lamps use a gas sealed in a high-pressure environment to emit a brilliant output. Due to the high pressure involved with the construction of the lamp, the lamp may explode during prolonged extensive use. This risk is increased with age; added care is encouraged when dealing with older lamps. Thus, lamp should always be replaced at the end of their recommended duty cycle. Extreme caution should be used when operated this or any fixture fitted with a gas discharge lamp.

Never open this fixture while in use!

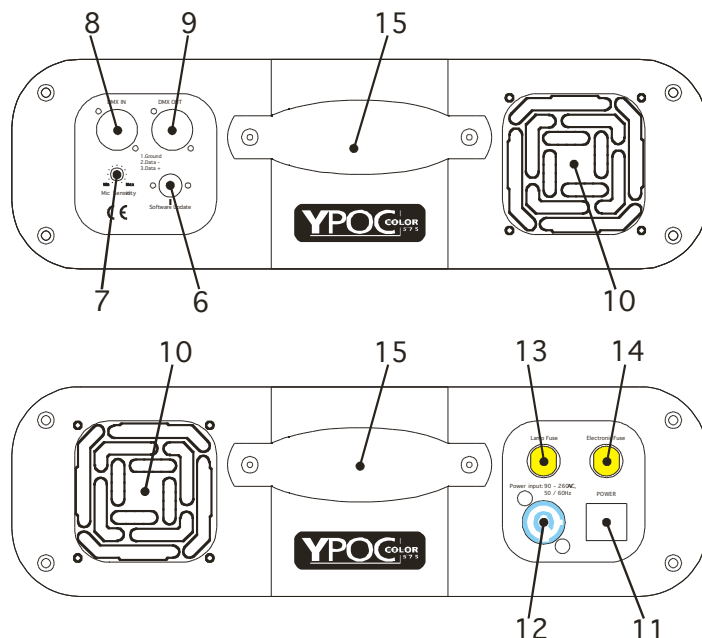
During the initial operation of this fixture, a light smoke or smell may emit from the interior of the fixture. This is a normal process and is caused by excess paint in the interior of the casing burning off from the heat associated with the lamp.

1 Description of Device



- 1. Moving Head
- 2. Carrying handles
- 3. LED- Display
- 4. Arm
- 5. Camlock system

- 6. Software-Update connector
- 7. Microphone- Intensity
- 8. DMX- Input
- 9. DMX- Output
- 10. Fan (air inlet/outlet)
- 11. Power On/Off
- 12. Mains supply (Powercon)
- 13. Fuse lamp
- 14. Fuse electronics
- 15. Carrying handles



1.1 Safety Instructions



The POWER WASH 575E is a High-Tech Product. To guarantee a smooth operation, it is necessary to keep following rules.

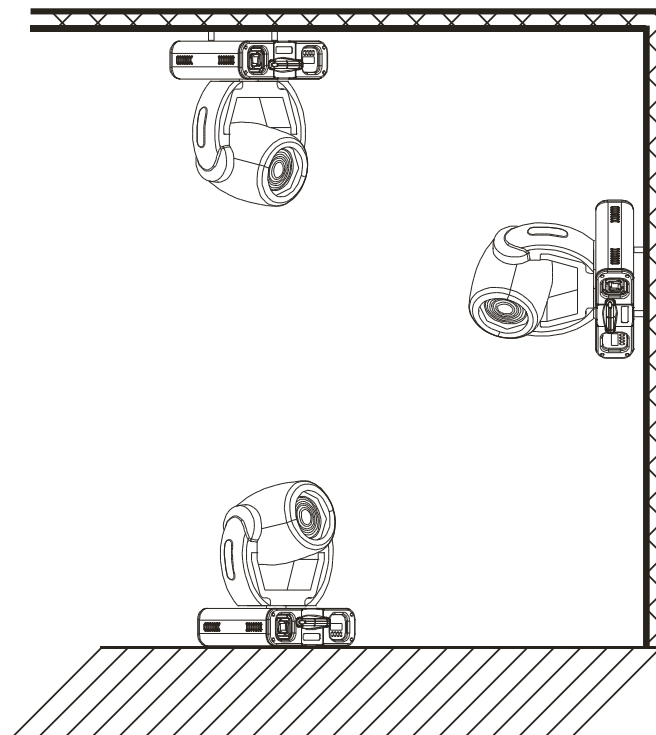
The manufacturer of this device will not take responsibility of damages through disregard of the information in this manual. Warranty adjustments will be cancelled.

1. Make sure before putting into operation, that the fan and the air inlets are clean and not blocked by anything.
2. **Attention:** Don't touch the device during the operation. This can cause injuries or damages.
3. **Unplug the POWER WASH 575E from the AC outlet before any attempting any service.**
4. It is necessary to wait at least 30 minutes after disconnecting the AC before you open the POWER WASH 575E. Please do not touch the bulb of the lamp if you are not absolutely sure it is cold. -- **Danger of BURNING** --
5. Never look directly into the beam of the lamp. You risk injury of your retina and blindness.
6. Pay attention of the maximum lamp operation time. You have to change it if the lamp shows any deformations or damages. The same is with all glass components, color filters, lenses and mirrors.
7. To allow a secure operation, follow also the Installation guide described in chapter 2. Operating the POWER WASH 575E without suited safety aids like Safety cables or clamps/hooks can increase the risk of an accident.
8. Installation should be done by qualified staff only. You need to pay attention to the common rules of technology that are not explicitly mentioned in this manual.
9. Use only original spare parts. Any structural modification will cancel all warranty adjustments.

2 Preparation and Installation

2.1 Mounting

The **POWER WASH 575E** is fully operational whether it hangs or is mounted to the wall. It can also be operated while standing on the floor. Keep a safety distance of 0.5 m towards any easy inflammable materials (decoration etc.). Install a safety wire that can hold at least 10 times the weight of the fixture. Never use the carrying handles for secondary attachment.

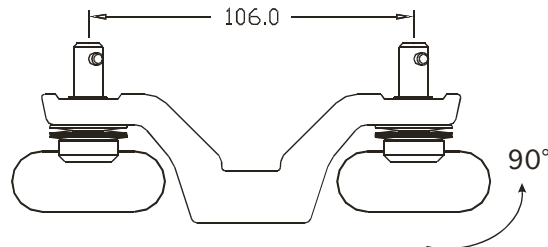


Pay attention to the regulations of: BGV C1 (former VBG 70) and DIN VDE 0711-217 !
The installation should be done by qualified staff only.

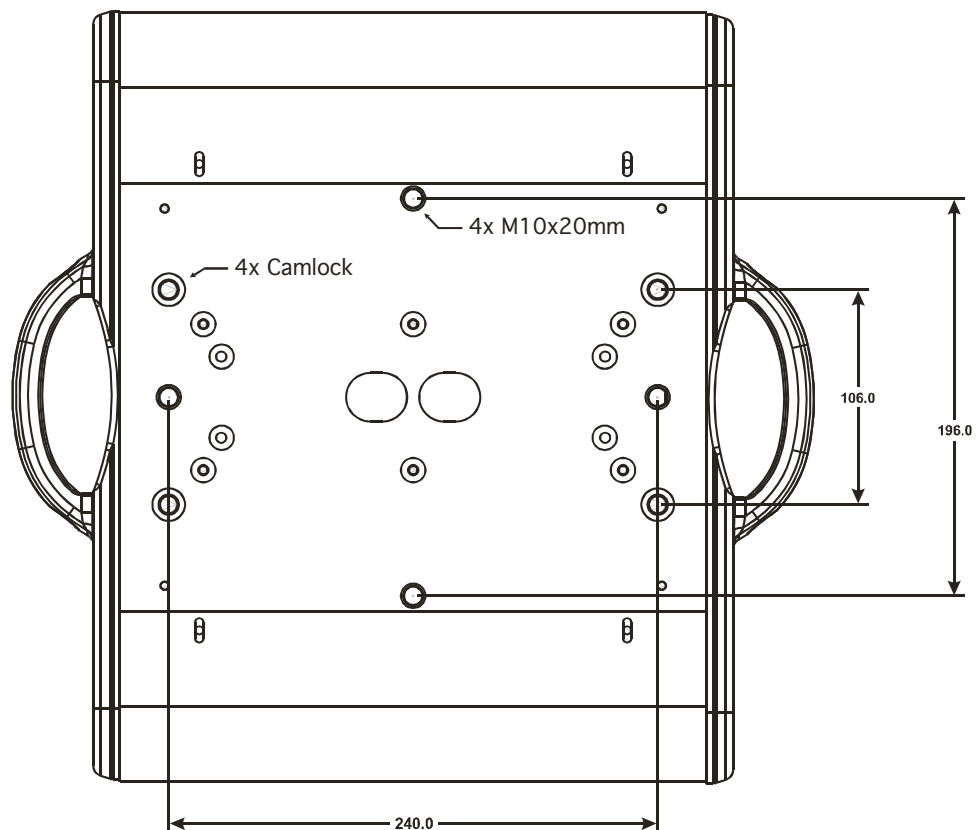
2.1.1 Clamps

There are two major possibilities to mount the **POWER WASH 575E** together with clamps. Camlock system or direct mounting of clamps. In both cases you have to regard a sufficient stability of the system. For installation instructions please see also printing on the backside of the case.

- a) Camlock system: This system allows you a fast and efficient setup of clamps. Attach the two camlocks to designated position on the backside of the case and close the locks by turning them 90°. Verify the secure fit of the camlock system. The clamps themselves are directly attached permanently on the camlocks.



- b) Use two clamps direct on the backside of the **POWER WASH 575E** to mount the unit on a truss (each two opposite threads max. M10x20).



2.2 Secure the **POWER WASH 575E**

Regardless of the rigging of the **POWER WASH 575E** you have to use a stipulated safety wire. Therefore you have to thread to safety wire through to two provided holes on the backside of the fixture and connect it with the truss-support. Pay attention to a safe and proper fastening.

2.3 Connections

2.3.1 Power supply

Electronic ballast with:

~90 - 260 Volt, 50 - 60 Hz, earth contact type plug - Powercon

Connected load 780W \Leftrightarrow 3.8 A (blind current compensation).

Please see printing on the case for the right electronic supply!

2.3.2 DMX

DMX 512 Standard input/output. See also printing on the case for the right pin assignment.

[+] = Pin 3 / [-] = Pin 2 / [Ground] = Pin 1

The DMX- Addressing starts at the DMX- Address [001].

2.4 Fuse

The **POWER WASH 575E** electronic system is protected by two 5x20 mm fine-wire fuses.

Lamp: 230V / T 5A

Electronic: 230V / T 1A

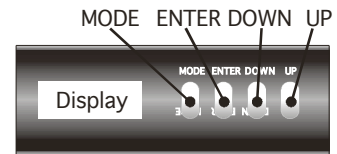
Please see the printing on the **POWER WASH 575E** casing for more details.

Attention:

- **Disconnect AC outlet before changing a fuse!**
- **Use only the original declared fuse type!**

3 The Menu Field

You'll find the control board on the side part of the base. It allows you to make all necessary adjustments of the **POWER WASH 575E**. With the **Mode**-key you get into the main menu. Afterwards you can navigate through the menu with the **Up/Down**-keys. Push the **Enter**-key to get in the next menu level or to confirm your settings. Make them and set functions **ON/OFF** with the **Up/Down**-keys. Confirm and save it with the **Enter**-key (the display shows **OK**). Push the **Mode**-key to cancel the entry and go back to the main menu.



⚡ DOWN - UP ⚡

Level 1	Level 2	Level 3	Remark
D001			Define the DMX start address
TEST			Test program of all functions
AUDI	ASLW		Self-running audio program (slow)
	AFST		Self-running audio program (fast)
	MSTR		Master for the audio program
	SVPT		Basic position for the audio program
	SIZE		Size for the audio program (NORM-BIG-MIDL-SMAL)
LAMP			Switch on/of the lamp direct at the POWER WASH 575E
RESE			Reset
TIME	POWR		Running time of the fixture (no destructible)
	LA1		Running time of the lamp (erasable)
	LA2		Running time of the lamp (no destructible)
FCOL			Reverse Pan-direction
RPAN			Reverse Tilt-direction
RTL			Manual drive of all device functions
SPEC	MANU		Automatic lamp start
	LAAU		Switch off lamp via DMX
	DLOF		Reed out actual DMX-values
	DMXI		Display On/Off
	DISP	D ON	REV
			Reed out internal temperature
TEMP			Maximum cooling fan velocity
FANS		HIGH	Automatic cooling fan control
		REG	Low cooling fan speed ⚡ lamp off
		LOOF	Low cooling fan speed ⚡ automatic
		LOHI	Define the DMX start address
ADJU		CODE	Use the code for entering the calibration menu (for authorized persons only)
		xxxx	
		CYAN	Calibration of the Cyan color wheel
		MAGE	Calibration of the Magenta color wheel
		YELL	Calibration of the Yellow color wheel
		COLO	Calibration of the color wheel
	BSPR	Calibration of the beam shape	

	ZOOM	Calibration of the Zoom
	Dimm	Calibration of the Dimmer
	SHUT	Calibration of the Shutter
	CLRE	Settings in the internal memory (super-user only)
	ARES	Adjust Reset
	VTEL	Software version Tilt-board
	VTRB1	Software version driver board 1
	VTRB2	Software version driver board 2
COAD	CODE xxxx	Use the code for entering the calibration menu (for authorized persons only)
	CYAN	Coarse calibration of the Cyan color wheel
	MAGE	Coarse calibration of the Magenta color wheel
	YELL	Coarse calibration of the Yellow color wheel
DFSE		Call on the default function values
FEED		Pan/Tilt feedback (error correction) On/Off
EFLG		Correction of faults

3.1 Adjust the DMX- Address (D001)

Right after turning on the **POWER WASH 575E** you can see the current DMX- Address. If there is no DMX- Signal the display flashes.

D001

For the address setting please follow this procedure:

1. Switch On the **POWER WASH 575E** and wait until the fixture reset has finished ('**RESE**' is flashing in the display).
2. Press the **Mode**-key in order to access the main menu. Browse through the menu by pressing the **Up/Down**-keys until the display shows **D001**. Confirm by pressing the **Enter**-key (the decimal point is flashing)
3. Use the **Up/Down**-keys to select the desired address. Confirm the setting by pressing the **Enter**-key (the display shows **OK**) or press the **Mode**-key to cancel.

The DMX- Address is stored also while switching off the **POWER WASH 575E!**

3.2 The Test Program (TEST)

test

The **Test**-Program allows you to run a complete self test procedure of all functions. Press **Enter** to confirm or **Mode** to cancel.

3.3 The Audio Program (AUDI)

Audi

The **Audio**-menu allows you to run a stand alone audio program. This chaser can run either fast or slow. **AFST**: Every sound impulse on step of the chaser. **Aslw**: Every second sound impulse one step of the chaser.

Additional you can choose a basic position for this audio chaser. Use therefore either the internal manual mode or an external controller to set the desired Pan/Tilt position. Confirm this setting in the **SVPT** menu by pressing the **Enter**-key.

You can also set the size of the audio chaser in the **SIZE** menu. You have the choice between: **NORM** (no basic position has to be chosen), **BIG**, **MIDL** and **SMAL**).

If you want to run the systems simultaneously, one of the **YPOCs** must be switched as the master. All others must be "Slave" Master = OFF. **Notice**: The Audio function is only working if **no** DMX is connected. This function can work e.g. on small events or as an emergency program.

3.4 Lamp On/Off (LAMP)

LAMP

Use the **Up/Down**-keys to select lamp **On** or lamp **Off** Press **Enter** to confirm or **Mode** to cancel and return to the main menu. (The lamp **OFF** command is only working if the shutter is closed at the same time. Use an external controller or the manual drive mode, see chapter 3.10.1.

3.5 *Reset (RESE)*

RESE

Press the **Enter**-key to run a reset of all fixture functions (**RST** is shown in the display).

3.6 *Running time of lamp and unit (TIME)*

TIME

By this option can read out three different running times of the fixture.

POWR	Running time of the fixture (no destructible).
LA 1	Running time of the lamp (erasable). Push the Up/Down -keys at one time to delete this running time.
LA 2	Running time of the lamp (no destructible).

3.7 *Continuous Color Wheel (FCOL)*

fcol

This function allows you to control the color wheel continuously. If it is switched off, the color wheel is stepping directly from one to another color.

3.8 *Invert Pan Movement (RPAN)*

RPAN

This function allows you to invert the Pan movement. Use the **Up/Down**-keys to select invert **On** or **Off**. Press **Enter** to confirm or **Mode** to cancel and return to the main menu.

3.9 *Invert Tilt Movement (RTLTL)*

RTLTL

This function allows you to invert the Tilt movement. Use the **Up/Down**-keys to select invert **On** or **Off**. Press **Enter** to confirm or **Mode** to cancel.

3.10 Special Functions (SPEC)

SPEC

This menu allows you to enter further special functions of the **POWER WASH 575E**.

In detail they are:

3.10.1 Manual Drive (MANU)

MANU

This function allows you to drive all the fixture functions manually. Select the desired function with the **Up/Down**-keys and confirm with **Enter**. Now choose the desired value with the **Up/Down**-keys and confirm again with **Enter** or cancel and return to the menu with the **Mode**-key.

Function	Value	Remark
PAN	000 - 255	Pan Position
TILT	000 - 255	Tilt Position
CYAN	000 - 255	Cyan color wheel
MAGE	000 - 255	Magenta color wheel
YELL	000 - 255	Yellow color wheel
COLO	000 - 255	Color wheel (fixed colors)
SHUT	000 - 255	Shutter / Strobe function (the lamp strikes at DMX 255 if dimmer is "open" = DMX 255)
DIMR	000 - 255	Dimmer
BSPR	000 - 255	Beam shape + Frost
ZOOM	000 - 255	Zoom
SPEC	000 - 255	Lamp Off, Reset, ...

3.10.2 Lamp On automatically (LAAU)

LAAU

This function enables to switch On the lamp automatically after switching On the fixture. Use the **Up/Down**-keys to select **ON** if you want to switch on the lamp automatically after switching on the fixture or **Off** if you don't want this function. Press **Enter** to confirm or **Mode** to cancel and return to the menu.

If you have chosen **off** you have the possibility to start the lamp either via DMX or direct at the **POWER WASH 575E** in the Lamp menu.

3.10.3 Lamp Off via DMX (DLOF)

DLOF

This function enables to switch off the lamp via DMX or not. Use the **Up/Down**-keys to select **ON** if you want to switch off the lamp via DMX or **Off** if you don't want this function. Press **Enter** to confirm or **Mode** to cancel and return to the menu.

If you have chosen **off** you have the possibility to switch off the lamp either direct at the **POWER WASH 575E** in the Lamp menu or switch off the main switch.

3.10.4 DMX Input (DMXI)

DMXI

Readout DMX values of each channel received by the fixture. Use the **Up/Down**-keys to select desired channel and press **Enter** to read its value.

Function	Value	Remark
PAN	0 - 255	Pan Position
TILT	0 - 255	Tilt Position
CYAN	0 - 255	Cyan color wheel
MAGE	0 - 255	Magenta color wheel
YELL	0 - 255	Yellow color wheel
COLO	0 - 255	Color wheel (fixed colors)
SHUT	0 - 255	Shutter / Strobe function
DIMR	0 - 255	Dimmer
BSPR	0 - 255	Beam shape + Frost
ZOOM	0 - 255	Zoom
SPEC	0 - 255	Lamp Off, Reset, ...
MOVE	0 - 255	Movement
SPED	0 - 255	Speed for Pan/Tilt

3.10.5 Display (DISP)

DISP

Use this function to choose between different display indications. Use the **Up/Down**-keys to select desired function and press **Enter** to confirm or **Mode** to cancel and return to the menu.

D ON	Display On/Off (If you've chosen off , the display will go out within 15 seconds after the last input. The next key touch will reactivate the display).
REV	Turn around the display. Note: You can also do this by pushing the Up/Down -keys at the same time.

3.10.6 Fixture Temperature (TEMP)

TEMP

This function allows you to read out the actual temperature of the **POWER WASH 575E**. Press **Enter** to confirm or **Mode** to cancel. Inside temperatures below 80°C are not critical. 80°C and more lead the lamp being switched off at a critical point. Please note for a save operation that the outside temperature should not exceed 45°C.

3.10.7 Fan Control (FANS)

FANS

By using this function you can choose between 4 types of fan speed operations. Use the **Up/Down**-keys to select desired function and press **Enter** to confirm or **Mode** to cancel and return to the menu.

HIGH	The cooling fan works continuously at max. speed.
REG	The fan automatically raises its speed in order to control inside temperature of the fixture.
LOOF	The fan keeps the adjusted low speed until the temperature exceeds max. inside temperature, then the POWER WASH 575E automatically switch off the lamp.
LOHI	The fan keeps the adjusted low speed until the temperature

exceeds max. inside temperature, then the **POWER WASH 575E** automatically switch from low to high fan speed.

In addition to these settings, you can set to fan speed to minimum via DMX (Special channel, DMX value 224..229). This will last until a temperature of 90° is reached.

3.10.8 Adjustments and Calibrations (ADJU)

ADJU

By this function you can adjust and calibrate the positions of the different wheels and other motors. This can be necessary after a service or repair work.

For this function you have to entry the fixture code. This work should be done only by authorized persons.

Use the **Up/Down**-keys to select desired function and press **Enter** to confirm or **Mode** to cancel and return to the menu. Use now the **Up/Down**-keys to set the adjustment values and confirm once more with the **Enter**-key or cancel with the **Mode**-key.

Function	Value	Remark
ADJU	CODE XXXX	Adjustments in the internal setup are code protected (for authorized persons only).
CYAN	- 99 - + 99	Adjustment of the Cyan color wheel
MAGE	- 99 - + 99	Adjustment of the Magenta color wheel
YELL	- 99 - + 99	Adjustment of the Yellow color wheel
COLO	- 99 - + 99	Adjustment of the Color wheel
BSPR	- 99 - + 99	Adjustment of the Beam shape
ZOOM	- 99 - + 99	Adjustment of the Zoom
DIMM	- 99 - + 99	Adjustment of the Dimmer
SHUT	- 99 - + 99	Adjustment of the Shutter
CLRE	Adjustments in the internal circuit.	
ARES	- 99 - + 99	Adjust Reset (wheels stand still after the reset)
VTIL	- 99 - + 99	Software version of Tilt-board
VTR1	- 99 - + 99	Software version of Head- board
VTR2	- 99 - + 99	Software version of Base- board
COAD	CODE XXXX	Adjustments in the internal setup are code protected (for authorized persons only).
CYAN	- 99 - + 99	Coarse adjustment of the Cyan color wheel

MAGE	- 99 - + 99	Coarse adjustment of the Magenta color wheel
YELL	- 99 - + 99	Coarse adjustment of the Yellow color wheel

3.10.9 Default Settings (DFSE)

DFSE

Press **Enter** to reset all fixture personalities (not the adjusted functions) to the default values. On the display will appear **ok** to indicate that the defaults are set.

Function	Display	Default Settings	
DMX Address	D001	D001	
Pan reverse	RPAN	ON	OFF
Tilt reverse	RTLTL	ON	OFF
Automatic lamp on	LAAU	ON	OFF
Lamp on via DMX	DLOF	ON	OFF
Display	DISP	D ON	
Cooling fan	FANS	HIGH	REG
Feedback	FEED	LOOF	LOHI
		ON	OFF

3.10.10 Position Feedback (FEED)

FEED

The **POWER WASH 575E** is provided with a automatic position correction (feedback) for the Pan and Tilt movement. Use the **Up/Down**-keys to select **ON** if you want to enable the feedback function or **Off** if you don't want this function. Press **Enter** to confirm or **Mode** to cancel and return to the menu.

3.10.11 Correction of faults (EFLG)

EFLG

(Function available for authorized persons only)

3.11 Error and Information Messages

HEAt	This message appears if you try to switch on the lamp within 5
-------------	--

	minutes after having switched off (lamp too hot). The message will appear on the display if the lamp doesn't ignite within 20 seconds. The fixture will store this command and automatically ignite the lamp after 5 minutes.
IG E	When igniting the lamp, the electronic ballast will examine whether the lamp ignited or not. If the lamp does not ignite within 20 seconds, the igniting sequence is broken off. Now approx. 2 minutes are waited, until a renewed ignition attempt is started automatically. After the 3rd unsuccessful ignition attempt the sequence is completely stopped and the display reads " IG E " (Ignition error).
LAER	As soon as the lamp ignited correctly, the lamp current is constantly supervised by the system. If an interruption steps on (covers opened or lamp damaged), the power is switched off immediately. The display reads " LAER " (lamps error). Please switch off the power supply and solve the possible problem.
After the error " IG E " respectively " LAER " it is not anymore possible the start the lamp via Shutter = 255. Nevertheless if a renewed ignition attempt is desired, first run a Reset (at the Spot or over DMX). Afterwards you can try again to ignite the lamp.	
OTMP	This error message informs you that the fixture was overheating and that the relay switches off the lamp. Pleas look for possible reasons (fan faulty, air in/outlets blocked or very dirty, lamp broken or very old, too high ambient temperature. Switch off the power supply and solve the possible problem.
RsER	This message informs you that one of the fixture function wasn't able to do its reset correct (magnetic sensor, stepping motor, driver on the PCB, cables, etc.). Repair the defect and start the fixture again.

4 DMX Channel Selection (DMX Protocol)

Channel	Function	Time and Value	DMX	HEX	%
1) PAN-coarse	0 .. 530°	min. 2,65 s	0..255	00..FF	0..100
2) PAN-fine	Low- Pos ... High- Pos + 2,1° (16 Bit)		0..255	00..FF	0..100
3) Tilt-coarse	0 .. 285°	min. 1,8 s	0..255	00..FF	0..100
4) Tilt-fine	Low- Pos ... High- Pos + 1,1° (16 Bit)		0..255	00..FF	0..100
5) Color*	open (fast)	Chaser from color to color max. 140 BPM ‡ 0,43 s	0..3	00..03	0,2
	color 1, Brilliant Blue (fast)		4..7	04..07	1,8
	color 2, Blue (fast)		8..11	08..0B	3,3
	color 3, Blue Purple (fast)		12..15	0C..0F	4,9
	color 4, Pink (fast)		16..19	10..13	6,5
	color 5, Orange (fast)		20..23	14..17	8,0
	color 6, Italian Blue (fast)		24..27	18..1B	9,6
	color 7, Turquoise (fast)		28..31	1C..1F	11,2
	color 8, Jade (fast)		32..35	20..23	12,7
	color 9, CTB 001 (fast)		36..39	24..27	14,3
	color 10, CTO 02 (fast)		40..43	28..2B	15,9
	color 11, Red (fast)	44..47	2C..2F	17,5	
	open (fast)	48..63	30..3F	19,0	
	open (slow)	Chaser from color to color max. 70 BPM ‡ 0,86 s	64..67	40..43	25,3
	color 1, Brilliant Blue (slow)		68..71	44..47	26,9
	color 2, Blue (slow)		72..75	48..4B	28,4
	color 3, Blue Purple (slow)		76..79	4C..4F	30,0
	color 4, Pink (slow)		80..83	50..53	31,6
	color 5, Orange (slow)		84..87	54..57	33,1
	color 6, Italian Blue (slow)		88..91	58..5B	34,7
	color 7, Turquoise (slow)		92..95	5C..5F	36,3
	color 8, Jade (slow)		96..99	60..63	37,8
	color 9, CTB 001 (slow)		100..103	64..67	39,4
	color 10, CTO 02 (slow)		104..107	68..6B	41,0
color 11, Red (slow)	108..111	6C..6F	42,5		
open (slow)	112..127	70..7F	44,1		
color rotation, slow-fast, CW	min. 1.4 turns/h	128..191	80..BF	50..75	
color rotation, fast-slow, CCW	max. 2.9 turns/sec.	192..253	C0..FD	76..98	
Audio color chaser slow	each 4 th sound impulse ‡ new color	254	FE	99	
Audio color chaser fast	each sound impulse ‡ new color	255	FF	100	
6) Cyan	Cyan color intensity 0% - 100%		0..255	00..FF	0..100
7) Magenta	Magenta color intensity 0% - 100%		0..255	00..FF	0..100
8) Yellow	Yellow color intensity 0% - 100%		0..255	00..FF	0..100
9) Shutter	Shutter closed		0..15	00..0F	0..6
	Random Strobe (different pattern)		16..31	10..1F	7..11,9
	Strobe Pulse effect , slow - fast	min. frequency 0,7 Hz	32..47	20..2F	12..12,9
	Strobe effect , slow - fast	max. frequency 10 Hz	48..239	30..EF	13..93

Channel	Function	Time and Value	DMX	HEX	%	
	Shutter open		240..25 5	F0..FF	94..100	
	Lamp ON (ignition)		254..25 5	FE..FF	99..100	
10) Dimmer	Dimmer closed (0%)		0..3	0..3	0..1	
	Dimmer 1%...99%	movement time 0,3 Sek.	4..251	4..FB	2..98	
	Dimmer open (100%)		252..25 5	FC..FF	99..100	
11) Beam- shape	Open		0..15	0..0F	0..5	
	Shaper		16..239	10..EF	6..94	
	Frost		240..25 5	F0..FF	95..100	
12) Zoom	Zoom 0% - 100%	8° - 22°	0..255	00..FF	0..100	
13) Special	No function		0..15	00..0F	0..6	
	Audio CMY chaser slow		16..23	10..17	7..9	
	Audio CMY chaser fast		24..31	18..1F	10..12	
	Rotating color chaser		32..63	20..3F	13..24	
	Color chaser C / C+1 slow – fast		64..79	40..4F	25..31	
	Color chaser C / C+2 slow – fast		80..95	50..5F	32..37	
	PAN/Tilt chaser slow		96..111	60..6F	38..43	
	PAN/Tilt chaser fast		112..12 7	70..7F	44..50	
	Lamp OFF (only if shutter is closed)!		230..24 9	E6..F9	92..97	
	Reset		250..25 5	FA..FF	98..100	
14) Move- ment	No movement		0	00	0	
	Movement	Size	Phase			
	PAN	1	0°	01..01	01..01	0,5
		1	90°	02..03	02..03	1,0
		1	180°	04..05	04..05	1,7
		1	270°	06..07	06..07	2,5
	PAN	2	0°	08..09	08..09	3,3
		2	90°	10..11	0A..0B	4,1
		2	180°	12..13	0C..0D	4,9
		2	270°	14..15	0E..0F	5,7
	PAN	3	0°	16..17	11..11	6,5
		3	90°	18..19	12..13	7,3
		3	180°	20..21	14..15	8,0
		3	270°	22..23	16..17	8,8
	PAN	4	0°	24..25	18..19	9,6
		4	90°	26..27	1A..1B	10,4
		4	180°	28..29	1C..1D	11,2
		4	270°	30..31	1E..1F	12
	TILT	size / phase see also PAN		32..63	20..3F	13..25
	PAN / TILT	size / phase see also PAN		64..95	40..5F	26..37
	PAN / TILT (inverse)	size / phase see also PAN		96..127	60..7F	38..50
Circle	size / phase see also PAN		128..15 9	80..9F	51..62	
Circle (inverse)	size / phase see also PAN		160..19 1	A0..BF	63..75	

Channel	Function	Time and Value	DMX	HEX	%
	lying eight	size / phase see also PAN	192..22 3	C0..DF	76..87
	random movement	size see also PAN	224..25 5	E0..FF	88..100
15) Speed Pan/Tilt	Pan/Tilt relative movement		0..01	00..01	0..1
	Pan/Tilt slow – fast Use this channel 14) also for the speed of the movements (channel 13).	Pan Min. 530° = 200 s Pan Max. 530° = 2.65 s Tilt Min. 285° = 110 s Tilt Max. 285° = 1.8 s	02..255	02..FF	2..100

Lampe ON	Shutter open		254..25 5	FE..FF	99..100
Lampe OFF	Channel 9 (min. 3 sec.) (only if shutter is closed, channel 9 = 0 ..15)		230..24 9	E6..F9	92..97

*) Set the function “FCOL” ‘ON’ if you want to control the color wheel continuously.

5 Change the Lamp

For a frictionless operation please read this chapter carefully and follow all instructions.

5.1 Safety Regulations

- **Pull out the main plug!**
- Wait min. 20 minutes after the last operation to cool down the fixture.
- Don't touch the bulb of the lamp with bare fingers (this can cause damages).
- Before you put the **POWER WASH 575E** into operation close the casing, otherwise your retina can be hurt!

5.2 Realize the Lamp Change

1. **Pull out the main plug!**
2. The lamp can be changed in a very comfortable way directly from the backside of the case without opening the head.
3. Open the four recessed head screws (1, 2, 3 and 4) of the backside lamp sheet and remove it carefully.
4. Remove the old or broken lamp by opening the two sidewise lamp screws.
Attention: The glass bulb of the lamp can splinter. For that reason remove the lamp with safety gloves or some cloth.
5. Put in the new lamp securely with a tight fit into the socket and close the two

lamp screws. The lamp filler neck must not in the direction lamp or lenses.

Attention: Use only the original lamp type!

6. Pull the lamp holder safely back in the shaft and close the four screws.
7. The running time of the lamp **LA1** can be reseed in the **Time** Menu.

6 Maintenance and Cleaning the POWER WASH 575E

It is absolutely essential that the fixture is kept clean and that dust, dirt and smoke-fluid residues must not built up on or within the fixture. Otherwise the fixture's light-output will be significantly reduced. Regular cleaning will not only ensure the maximum light-output, but will also allow the fixture to function reliable throughout its life.

A soft lint-free cloth moistened with any good glass cleaning fluid is recommended, under no circumstances should alcohol or solvents be used!

The inside optical system should be maintained only by authorized persons. Please contact your local dealer.

6.1 Safety Regulations

- **Pull out the main plug!**
- Wait min. 20 minutes after the last operation to cool down the fixture.
- Before you put the **POWER WASH 575E** into operation close the casing, otherwise your retina can be hurt!

6.2 Circumference and Interval (rule-of-thumb)

The contamination of the fixture depends on the environment details. Therefore no general guidelines can be given. From this it follows that the intervals are only suggestions from our practice experience.

Position	Interval	In this way
Outside optic	weekly	soft cloth and glass cleaning fluid
Color filter	monthly	soft cloth and glass cleaning fluid
Beam shape	monthly	soft cloth and glass cleaning fluid
Dimmer/Shutter	yearly	vacuum cleaner, airbrush, etc.
Fan and air channel	monthly	vacuum cleaner, airbrush, etc.
Reflector	never	
Lamp	never	

Moveable parts	yearly	suitable fatty oil
----------------	--------	--------------------

Attention:

- **Never let optical parts come into contact with oil or fat.**
- **Before running the fixture wait until all parts are dried up.**

6.3 Cleaning the Optical System

1. **Pull out the main plug!**
2. Wait min. 20 minutes after the last operation to cool down the fixture.
3. Open the upper shell of the head casing by loosening the 4 Phillips screws. Two on the front side and two on the back side of the head.
4. Do the work as explained in the list above.
5. Before you put the **POWER WASH 575E** into operation close the casing, otherwise your retina can be hurt!

7 Technical Specification

Power supply	
Power consumption	~90 - 260V, 50 - 60 Hz 780 Watt, 3.8A, electronic ballast, (blind current compensated)
Fuse protection	Lamp: T 5A, 250V, 5x20 mm (fine-wire fuse) Electronic: T 1A, 250V, 5x20 mm (fine-wire fuse)
Lamp	
Type	HTI 575-DE (OSRAM)
Live time	500h (750h)
Color temperature	5600k or 7500k
luminous flux	43.000 lm
Optical system	
Glass reflector	
Fresnell lens 150mm	
Color	
9 dichroic filter plus white plus 1x CTC 5600k, 1x CTC 3300k	
Beam shape	
Stepless Beam shape	
Frost filter	
Motor driven focus from near to far away	
Zoom: Motor driven variable angle of reflected beam from 8° to 22°	
Shutter / Strobe / Dimmer	
Strobe- effect with variable speed 1 - 10 flashes per second	
Continuously mechanical dimmer 0 - 100%	
Drive	

Standard DMX-512, 3 pole XLR; [+] = Pin 3 [-] = Pin 2 [Ground] = Pin 1.
The DMX- addressing starts at the DMX- address [001].

Pan / Tilt	
Pan- movement	530° in max. 2,65 seconds, 16 bit resolution
Tilt- movement	280° in max. 1,68 seconds, 16 bit resolution
Weights and measures	
Width of the base	380 mm
Length of the base	390 mm
height (head vertical)	520 mm
Weight (net)	19 kg

2 YEAR (730 DAYS) LIMITED WARRANTY

A. Elation Professionals® hereby warrants, to the original purchaser, Elation Professionals® products to be free of manufacturing defects in material and workmanship for a period of two years (730 days) from the date of purchase. This warranty shall be valid only if the product is purchased within the United States of America, including possessions and territories. It is the owner's responsibility to establish the date and place of purchase by acceptable evidence, at the time service is sought.

B. For warranty service, send the product only to the Elation Professionals® factory. All shipping charges must be pre-paid. If the requested repairs or service (including parts replacement) are within the terms of this warranty, Elation Professionals® will pay return shipping charges only to a designated point within the United States. If the entire instrument is sent, it must be shipped in its original package. No accessories should be shipped with the product. If any accessories are shipped with the product, Elation Professionals® shall have no liability whatsoever for loss of or damage to any such accessories, or for the safe return thereof.

C. This warranty is void if the serial number has been altered or removed; if the product is modified in any manner which Elation Professionals® concludes, after inspection, affects the reliability of the product; if the product has been repaired or serviced by anyone other than the Elation Professionals® factory unless prior written authorization was issued to purchaser by Elation Professionals®; if the product is damaged because not properly maintained as set forth in the instruction manual.

D. This is not a service contract, and this warranty does not include maintenance, cleaning or periodic check-up. During the period specified above, Elation Professionals® will replace defective parts at its expense, and will absorb all expenses for warranty service and repair labor by reason of defects in material or workmanship. The sole responsibility of Elation Professionals® under this warranty shall be limited to the repair of the product, or replacement thereof, including parts, at the sole discretion of Elation Professionals®. All products covered by this warranty were manufactured after January 1, 1990, and bare identifying marks to that effect.

E. Elation Professionals® reserves the right to make changes in design and/or improvements upon its products without any obligation to include these changes in any products theretofore manufactured.

F. No warranty, whether expressed or implied, is given or made with respect to any accessory supplied with products described above. Except to the extent prohibited by applicable law, all implied warranties made by Elation Professionals® in connection with this product, including warranties of merchantability or fitness, are limited in duration to the warranty period set forth above. And no warranties, whether expressed or implied, including warranties of merchantability or fitness, shall apply to this product after said period has expired. The consumer's and or Dealer's sole remedy shall be such repair or replacement as is expressly provided above; and under no circumstances shall Elation Professionals® be liable for any loss or damage, direct or consequential, arising out of the use of, or inability to use, this product.

G. This warranty is the only written warranty applicable to Elation Professionals® products and supersedes all prior warranties and written descriptions of warranty terms and conditions heretofore published.

H. Lamps are not covered under this or any other warranty either written or implied.

8 Index

<hr/>	
A	
Audio.....	11
<hr/>	
B	
BGV C1.....	7
<hr/>	
C	
Circumference.....	22
Cleaning.....	22
<hr/>	
D	
Description of Device	5
DIN VDE 0711-217.....	7
Display.....	15
DMX.....	9
DMX- Adresse	11
<hr/>	
E	
Error Messages	18
<hr/>	
F	
Fan.....	15
Fuse	9
<hr/>	
I	
Injury of the retina.....	6
Invert.....	13
<hr/>	
M	
Maintenance	21
Measures.....	23
Mounting	7
<hr/>	
P	
Pan- movement.....	23
Power supply.....	9
<hr/>	
S	
Safety Instructions	6
Secure	8
<hr/>	
T	
Test Program.....	11
Tilt- movement.....	23
<hr/>	
V	
VBG 70.....	7
<hr/>	
W	
Weights.....	23



Elation Professional
4295 Charter Street
Los Angeles, CA. 90058
323-582-3322 / 323-582-3108 fax
www.ElationLighting.com / info@ElationLighting.com

Free Manuals Download Website

<http://myh66.com>

<http://usermanuals.us>

<http://www.somanuals.com>

<http://www.4manuals.cc>

<http://www.manual-lib.com>

<http://www.404manual.com>

<http://www.luxmanual.com>

<http://aubethermostatmanual.com>

Golf course search by state

<http://golfingnear.com>

Email search by domain

<http://emailbydomain.com>

Auto manuals search

<http://auto.somanuals.com>

TV manuals search

<http://tv.somanuals.com>