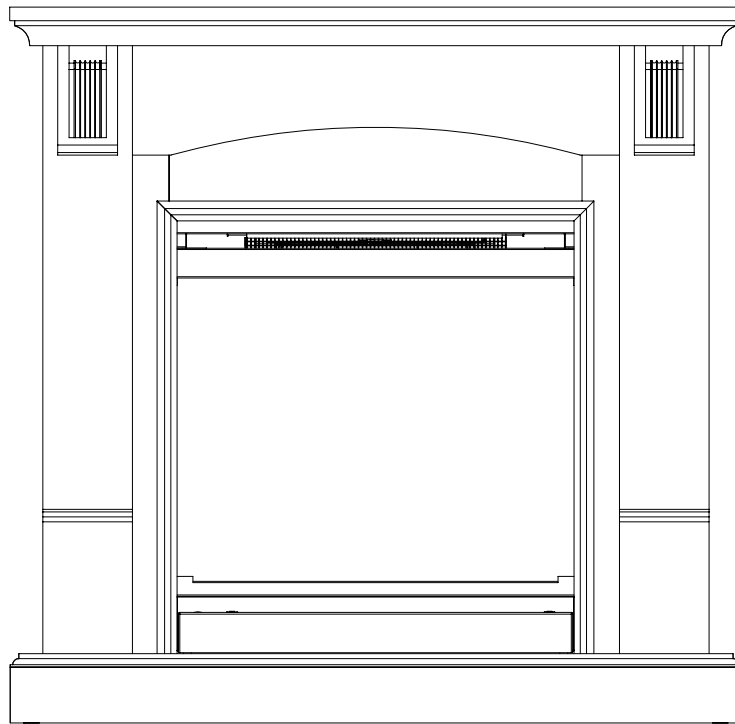




## PRACTICAL USER'S GUIDE FOR THE COMPACT FIREPLACE



Quality checked by:

*Valued Customer,*

*We are pleased that you have chosen to purchase an electric fireplace manufactured by Dimplex North America Ltd.*

*Over the years, valuable memories will occur around the warmth and comfort of your hearth. Thank you for allowing our product to be the backdrop for those special moments.*

7207250100REV02

## **QUICK REFERENCE GUIDE FOR Compact Fireplace**

- 1. Prior to the first use of the Compact Fireplace verify the following:**
  - **Are the circuit breakers for the unit on?**
  - **Are the light bulbs in your Compact Fireplace loose? (to check, follow the instructions for replacing the light bulbs under the maintenance section of this manual)**
  
- 2. The heater in your Compact Fireplace may emit a slight, harmless odor when first used. This odor is a normal condition caused by the initial heating of internal heater parts and will not occur again.**
  
- 3. The information regarding the model of your Compact Fireplace can be found on the rating plate located on the back of the unit.**
  
- 4. If you have any technical questions or concerns regarding the operation of your Compact Fireplace, or require service contact Dimplex North America customer service at 1-888-DIMPLEX (1-888-346-7539).**

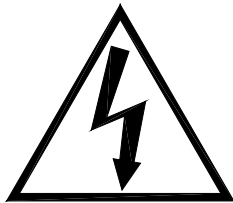
# **CONTENTS**

<b>PAGE 1</b>	<b>Important Instructions</b>
<b>PAGE 3</b>	<b>Compact Fireplace Installation</b>
<b>PAGE 4</b>	<b>Operation</b>
<b>PAGE 5</b>	<b>Maintenance</b>
<b>PAGE 7</b>	<b>Warranty</b>

# IMPORTANT INSTRUCTIONS

When using electrical appliances, basic precautions should always be followed to reduce the risk of fire, electric shock, and injury to persons, including the following:

1. Read all instructions before using this heater (Compact Fireplace).
2. This heater (Compact Fireplace) is hot when in use. To avoid burns, do not let bare skin touch hot surfaces. The trim around the heater outlet becomes hot during heater operation. Keep combustible materials, such as furniture, pillows, bedding, papers, clothes, and curtains at least 3 feet (0.9m) from the front of the heater and keep them away from the sides and rear.
3. Extreme caution is necessary when any heater is used by or near children or invalids and whenever the unit is left operating and unattended.
4. Always unplug the heater (Compact Fireplace) when not in use.
5. Do not operate any heater (Compact Fireplace) with a damaged cord or plug, or if the heater (Compact Fireplace) has malfunctioned, or if it has been dropped or damaged in any manner. Return heater (Compact Fireplace) to authorized service facility for examination, electrical or mechanical adjustment, or repair.



**CAUTION**  
RISK OF ELECTRIC SHOCK  
DO NOT OPEN  
NO USER-SERVICEABLE PARTS INSIDE



6. Do not use outdoors.
7. This heater (Compact Fireplace) is not intended for use in bathrooms, laundry areas and similar indoor locations. Never locate this heater (Compact Fireplace) where it may fall into a bathtub or other water container.
8. Do not run cord under carpeting. Do not cover cord with throw rugs, runners, or the like. Arrange cord away from traffic area and where it will not be tripped over.
9. To disconnect heater (Compact Fireplace), turn controls to off, then remove plug from outlet.
10. Do not insert or allow foreign objects to enter any ventilation or exhaust opening as this may cause an electric shock or fire, or damage the heater (Compact Fireplace).
11. To prevent a possible fire, do not block air intakes or exhaust in any manner. Do not use on soft surfaces, like a bed, where openings may become blocked.
12. All electrical heaters have hot and arcing or sparking parts inside. Do not use in areas where gasoline, paint, or flammable liquids are used or stored or where it will be exposed to flammable vapors.
13. Do not modify the heater (Compact Fireplace). Use it only as described in this manual. Any other use not recommended by the manufacturer may cause fire, electric shock, or injury to persons.
14. To reduce the risk of electric shock, this heater (Compact Fireplace) has a polarized plug (one blade is wider than the other). This plug will fit in a polarized outlet only one way. If the plug does not fit fully in the outlet, reverse the plug. If it still does not fit, contact a qualified electrician to install the proper outlet. Do not change the plug in any way. Avoid the use of an extension cord. Extension cords may overheat and cause a risk of fire. If you must use an extension cord, the cord must be No. 16 AWG minimum size and rated no less than 1875 watts.
15. Do not burn wood or other materials in the Compact Fireplace.
16. Do not strike the front glass.
17. Always use a certified electrician should new circuits or outlets be required.
18. Always use properly grounded, fused and polarized outlets.
19. Disconnect all power supply before performing any cleaning, maintenance or relocation of the heater (Compact Fireplace).
20. When transporting or storing the heater (Compact Fireplace) and cord, keep in a dry place, free from excessive vibration and store so as to avoid damage.

**SAVE THESE INSTRUCTIONS**

**PLEASE RETAIN THIS USER'S GUIDE FOR FUTURE REFERENCE**

# IMPORTANT INSTRUCTIONS

**NOTE:** Procedures and techniques that are considered important enough to emphasize.

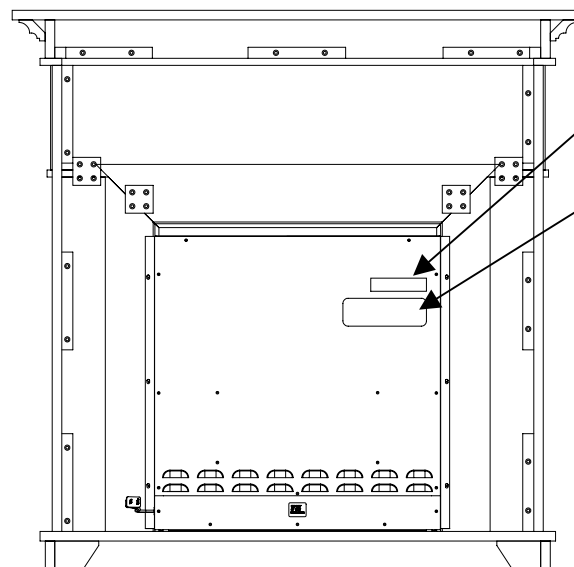
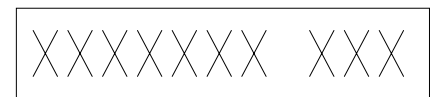
**CAUTION:** Procedures and techniques which, if not carefully followed, will result in damage to the equipment.

**WARNING:** Procedures and techniques which, if not carefully followed, will expose the user to the risk of fire, serious injury, illness or death

If you have any questions about our products please have the catalogue/model and serial numbers available upon calling customer service at 1-888-DIMPLEX (1-888-346-7539). To locate the catalogue/model and serial number labels see below.

Catalogue/Model Numbers

Serial Number



Compact Fireplace

## NOTE

A 15amp, 120 volt alternating current (VAC) circuit is required. A dedicated circuit is preferred but not essential in all cases. A dedicated circuit will be required if, after installation, the circuit breaker trips or fuse blows on a regular basis when the heater is operating. Additional appliances on the same circuit may exceed the current rating of the circuit breaker.

## WARNING

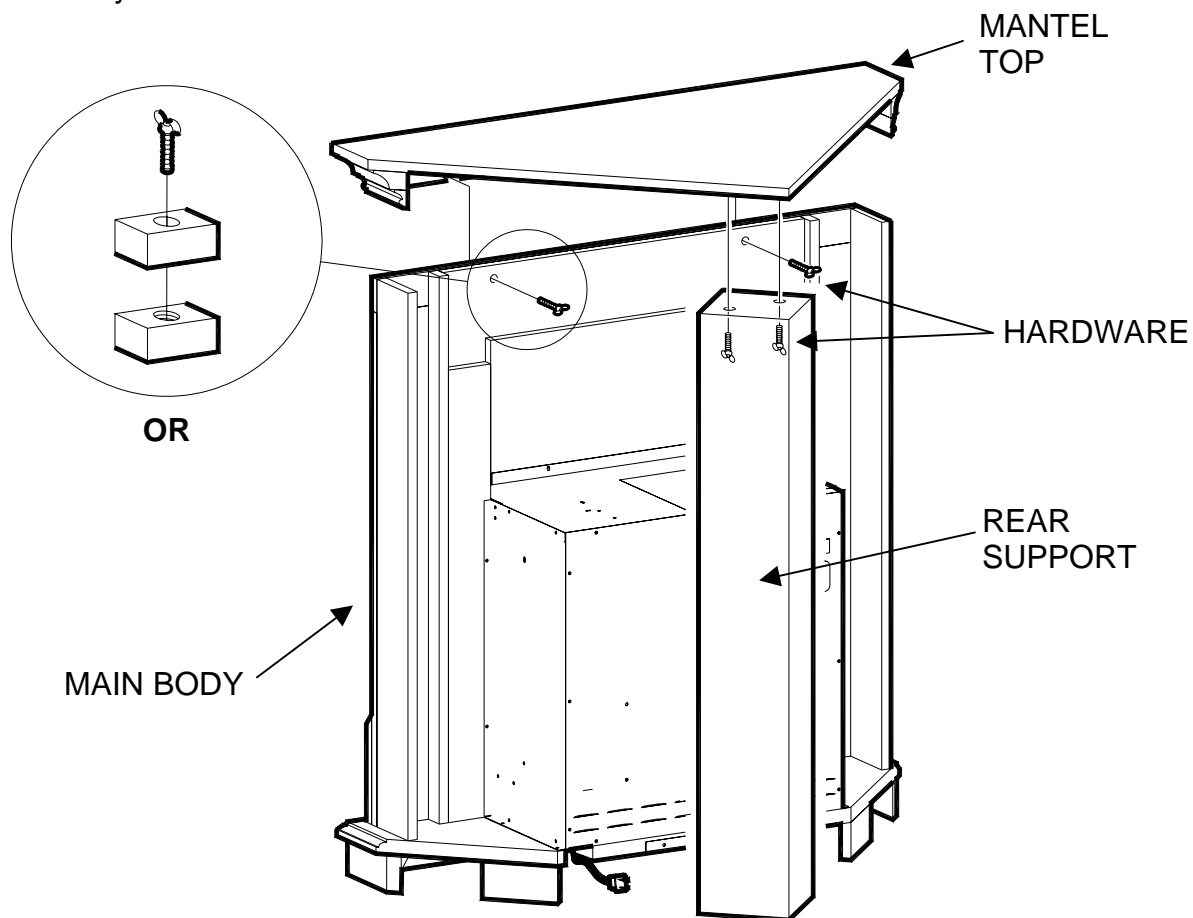
Ensure the power cord is not installed so that it is pinched or against a sharp edge and ensure that the power cord is stored or secured to avoid tripping or snagging to reduce the risk of fire, electric shock or injury to persons.

Construction and electrical outlet wiring must comply with local building codes and other applicable regulations to reduce the risk of fire, electric shock and injury to persons.

Do not attempt to wire your own new outlets or circuits. To reduce the risk of fire, electric shock or injury to persons, always use a licensed electrician.

### (NO ASSEMBLY REQUIRED FOR THE FLAT WALL MANTEL) CORNER MANTEL ASSEMBLY

1. Assemble the top of the mantel to the rear support using the supplied hardware.
2. Using the supplied hardware assemble the top and rear support assembly to the main fireplace body.



## FIREPLACE INSTALLATION

1. Make sure the units MAIN ON/OFF switch is switched OFF (refer to operating instruction section).
2. Plug the unit into a 15Amp/120VAC outlet. If the cord does not reach, you may use a No. 16 AWG minimum size extension cord rated for a minimum of 1875 watts.

## OPERATION

To access the controls, swing down the front cover panel located on the lower front of the Fireplace (refer to diagram below).

### A. MAIN ON/OFF SWITCH

The on/off switch supplies power to all unit functions (heat/flame)

### B. HEATER ON/OFF SWITCH

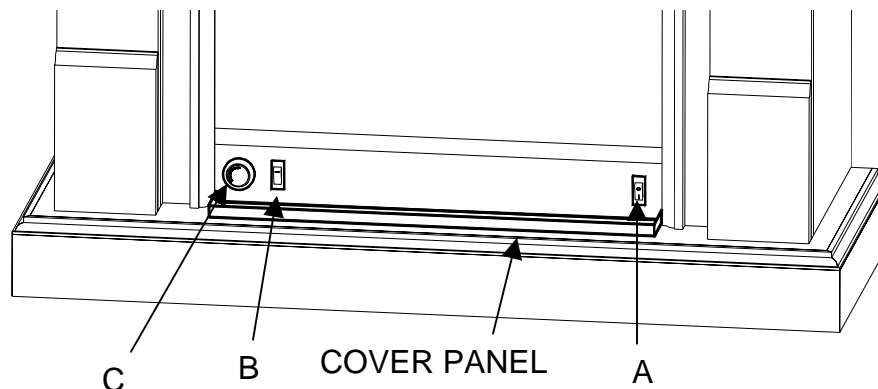
The HEATER ON/OFF SWITCH supplies power to the heater fan and the heater element.

### C. HEATER THERMOSTAT CONTROL

To adjust the temperature to your individual requirements, turn the thermostat control clockwise all the way to turn on the heater. When the room reaches the desired temperature, turn the thermostat knob counter clockwise until you hear a click. Leave in this position to maintain the room temperature at this setting. For additional heat, turn clockwise until you hear the click again and the heater will turn on. To turn the heater off, switch the HEATER ON/OFF SWITCH to the OFF position.

### NOTE

When the heater is switched ON, the heater fan will operate. The heater element may or may not be on, depending on the thermostat control setting (SEE "HEATER THERMOSTAT CONTROL").



## RESETTING THE TEMPERATURE CUTOFF SWITCH

This unit is equipped with a thermostat which controls the temperature of the room. It does this by turning the heater on and off. The heater is protected with a safety device to prevent overheating. Should the heater overheat, an automatic cut out will turn the heater off and it will not come back on without being reset. It can be reset by switching the ON/OFF SWITCH to OFF and waiting 5 minutes before switching the unit back on.

### CAUTION

If you need to continuously reset the heater, unplug the unit and call Dimplex North America Limited at 1-800-668-6663.

# MAINTENANCE

## WARNING

Disconnect power before attempting any maintenance or cleaning to reduce the risk of fire, electric shock or damage to persons.

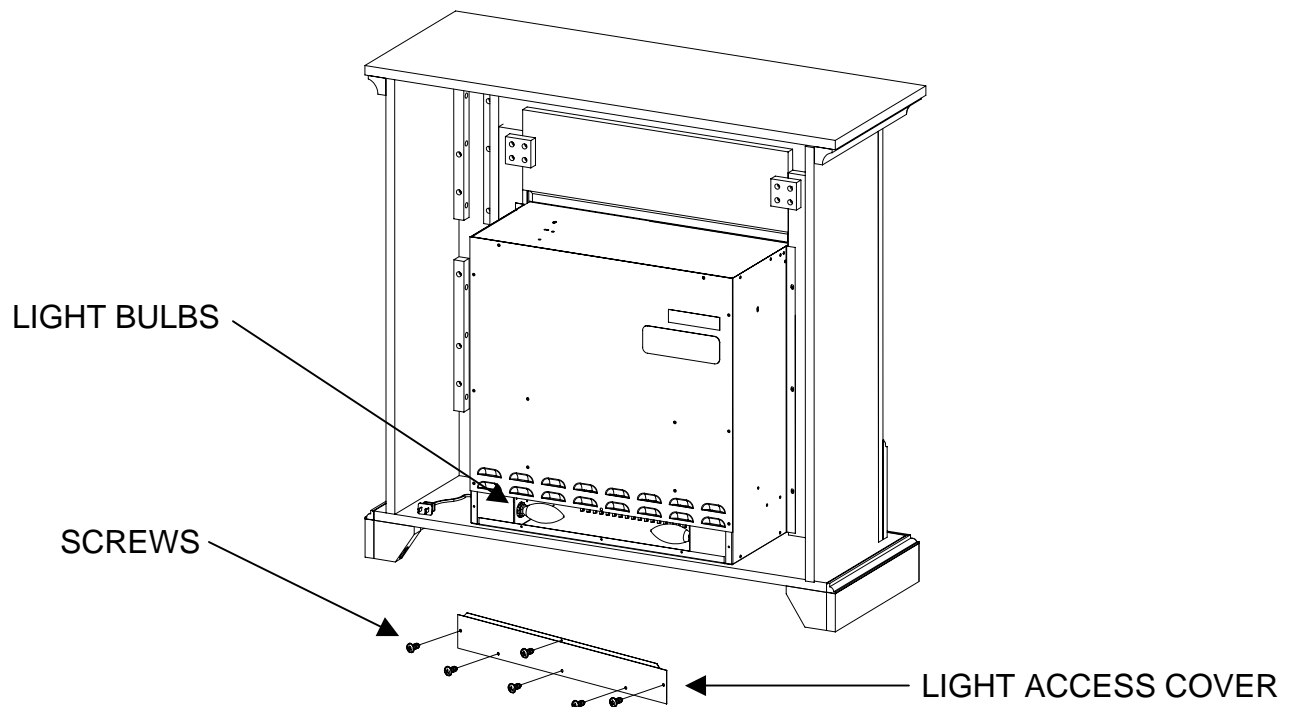
## LIGHT BULB REPLACEMENT

Allow at least 5 minutes for light bulbs to cool off before touching bulbs to avoid accidental burning of skin.

Light bulbs need to be replaced when you notice a dark section of the flame or when the clarity and detail of the log exterior disappears. There are two bulbs under the log set which generate the flames and embers.

## TO REPLACE THE LIGHT BULBS

1. Unplug the unit from power outlet.
2. On the back of the Compact Fireplace remove the screws from the light access cover.
3. Remove the light access cover.
4. Reach into the opening, locate and examine the bulbs to determine which bulb(s) require replacement.
5. Unscrew the bulb(s) counter clockwise.
6. Insert new bulb(s).
7. Install the light access cover and install the screws.



## HELPFUL HINTS

It is a good idea to replace all light bulbs at one time if they are close to the end of their rated life. Group replacement will reduce the number of times you need to open the unit to replace light bulbs.

## BULB REQUIREMENTS

Quantity of 2 clear chandelier or candelabra bulbs with an J-12 (small) socket base, 60 watt rating. Example GE 60BC or Philips 60 CTC.



## **GLASS CLEANING**

The glass is cleaned in the factory during the assembly operation. During shipment, installation, handling, etc., the front glass panel may collect dust particles; these can be removed by dusting lightly with a clean dry cloth.

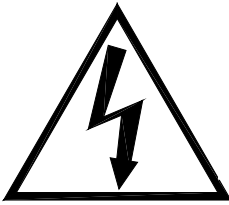
To remove fingerprints or other marks, the front glass panel can be cleaned with a damp cloth. The front glass panel should be completely dried with a lint free cloth to prevent water spots. To prevent scratching, do not use abrasive cleaners or spray liquids on the clear door surface.

## **Compact Fireplace SURFACE CLEANING**

Use warm water only to clean painted surfaces of the Compact Fireplace. Do not use abrasive cleaners.

## **SERVICING**

Except for light bulb replacement and cleaning described above, an authorized service representative should perform any other servicing.



**CAUTION**  
RISK OF ELECTRIC SHOCK  
DO NOT OPEN  
NO USER-SERVICEABLE PARTS INSIDE



# ONE YEAR LIMITED WARRANTY

## *Products to which this limited warranty applies*

This limited warranty applies to your newly purchased Dimplex electric Compact fireplace. This limited warranty applies only to purchases made in any province of Canada *except* for Yukon Territory, Nunavut, or Northwest Territories or in any of the 50 States of the USA (and the District of Columbia) *except* for Hawaii and Alaska. This limited warranty applies to the original purchaser of the product only and is not transferable.

## *Products excluded from this limited warranty*

Light bulbs are not covered by this limited warranty and are the sole responsibility of the owner/purchaser. Products purchased in Yukon Territory, Nunavut, Northwest Territories, Hawaii, or Alaska are not covered by this limited warranty. Products purchased in these States, provinces, or territories are sold AS IS without warranty or condition of any kind (including, without limitation, any implied warranties or conditions of merchantability or fitness for a particular purpose) and the entire risk of as to the quality and performance of the products is with the purchaser, and in the event of a defect the purchaser assumes the entire cost of all necessary servicing or repair.

## *What this limited warranty covers and for how long*

Products covered by this limited warranty have been tested and inspected prior to shipment and, subject to the provisions of this warranty, Dimplex warrants such products to be free from defects in material and workmanship for a period of 12 months from the date of the first purchase of such product.

The limited 12 month warranty period also applies to any implied warranties that may exist under applicable law. Some jurisdictions do not allow limitations on how long an implied warranty lasts, so the above limitation may not apply to the purchaser.

## *What this limited warranty does not cover*

This limited warranty does not apply to products that have been repaired (except by Dimplex or its authorized service representatives) or otherwise altered. This limited warranty does further not apply to defects resulting from misuse, abuse, accident, neglect, incorrect installation, improper maintenance or handling, or operation with an incorrect power source.

## *What you must do to get service under this limited warranty*

Defects must be brought to the attention of Dimplex Technical Service by contacting Dimplex at 1-888-[DIMPLEX](tel:1-888-DIMPLEX) (1-888-346-7539), or 1367 Industrial Road, Cambridge Ontario, Canada N1R 7G8. Please have proof of purchase, catalogue/model and serial numbers available when calling. Limited warranty service requires a proof of purchase of the product.

## *What Dimplex will do in the event of a defect*

In the event a product or part covered by this limited warranty is proven to be defective in material or workmanship during the 12 month limited warranty period you have the following rights:

- Dimplex will in its sole discretion either repair or replace such defective product or part without charge. If Dimplex is unable to repair or replace such product or part, or if repair or replacement is not commercially practicable or cannot be timely made, Dimplex may, in lieu of repair or replacement, choose to refund the purchase price for such product or part.
- Limited warranty service will be performed solely by dealers or service agents of Dimplex authorized to provide limited warranty services.
- The purchaser is responsible for removal and transportation of such product or part (and any repaired or replacement product or part) to and from the authorized dealer's or service agent's place of business.
- This limited warranty does not entitle the purchaser to on-site or in-home services. On-site or in-home services may be performed at the purchaser's specific request and expense at Dimplex's then-current rates for such services.
- Dimplex will not be responsible for, and the limited warranty services shall not include, any expense incurred for installation or removal of the product or part (or any replacement product or part) or any labour or transportation costs. Such costs shall be the purchaser's responsibility.

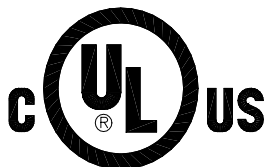
*What Dimplex and its dealers and service agents are also not responsible for:*

IN NO EVENT WILL DIMPLEX, OR ITS DIRECTORS, OFFICERS, OR AGENTS, BE LIABLE TO THE PURCHASER OR ANY THIRD PARTY, WHETHER IN CONTRACT, IN TORT, OR ON ANY OTHER BASIS, FOR ANY INDIRECT, SPECIAL, PUNITIVE, EXEMPLARY, CONSEQUENTIAL, OR INCIDENTAL LOSS, COST, OR DAMAGE ARISING OUT OF OR IN CONNECTION WITH THE SALE, MAINTENANCE, USE, OR INABILITY TO USE THE PRODUCT, EVEN IF DIMPLEX OR ITS DIRECTORS, OFFICERS, OR AGENTS HAVE BEEN ADVISED OF THE POSSIBILITY OF SUCH LOSSES, COSTS OR DAMAGES, OR IF SUCH LOSSES, COSTS, OR DAMAGES ARE FORESEEABLE. IN NO EVENT WILL DIMPLEX, OR ITS OFFICERS, DIRECTORS, OR AGENTS BE LIABLE FOR ANY DIRECT LOSSES, COSTS, OR DAMAGES THAT EXCEED THE PURCHASE PRICE OF THE PRODUCT.

SOME JURISDICTIONS DO NOT ALLOW THE EXCLUSION OR LIMITATION OF INCIDENTAL OR CONSEQUENTIAL DAMAGES, SO THE ABOVE LIMITATION OR EXCLUSION MAY NOT APPLY TO THE PURCHASER.

*How State and Provincial law apply*

This limited warranty gives you specific legal rights, and you may also have other rights which vary from jurisdiction to jurisdiction. The provisions of the United Nations Convention on Contracts for the Sale of Goods shall not apply to this limited warranty or the sale of products covered by this limited warranty.



**1-888-DIMPLEX**  
1-888-346-7539

**Dimplex®**

1367 Industrial Road  
Cambridge, Ontario  
Canada, N1R 7G8

Approved for use in the United States and Canada

Printed in China

## Free Manuals Download Website

<http://myh66.com>

<http://usermanuals.us>

<http://www.somanuals.com>

<http://www.4manuals.cc>

<http://www.manual-lib.com>

<http://www.404manual.com>

<http://www.luxmanual.com>

<http://aubethermostatmanual.com>

Golf course search by state

<http://golfingnear.com>

Email search by domain

<http://emailbydomain.com>

Auto manuals search

<http://auto.somanuals.com>

TV manuals search

<http://tv.somanuals.com>