

**Questions? See us on the World Wide Web at www.dewalt.com
¿Dudas? Visítenos en Internet: www.dewalt.com
Dúvidas? Visite-nos na Internet em www.dewalt.com.br**

**MANUAL DE INSTRUCCIONES
MANUAL DE INSTRUÇÕES**

INSTRUCTIVO DE OPERACIÓN, CENTROS DE SERVICIO Y PÓLIZA DE GARANTÍA. **ADVERTENCIA:** LÉASE ESTE INSTRUCTIVO ANTES DE USAR EL PRODUCTO.

DEWALT®

**DWD024
1/2" (13 mm) Hammerdrill
Taladro Percutor de 1/2" (13 mm)
Furadeira de Impacto de 1/2" (13 mm)**

Definitions: Safety Guidelines

The definitions below describe the level of severity for each signal word. Please read the manual and pay attention to these symbols.

▲ DANGER: Indicates an imminently hazardous situation which, if not avoided, **will** result in **death or serious injury**.

▲ WARNING: Indicates a potentially hazardous situation which, if not avoided, **could** result in **death or serious injury**.

▲ CAUTION: Indicates a potentially hazardous situation which, if not avoided, **may** result in **minor or moderate injury**.

NOTICE: indicates a practice **not related to personal injury** which, if not avoided, **may** result in **property damage**.



WARNING: To reduce the risk of injury, read the instruction manual.

General Power Tool Safety Warnings



WARNING! Read all safety warnings and all instructions. Failure to follow the warnings and instructions may result in electric shock, fire and/or serious injury.

SAVE ALL WARNINGS AND INSTRUCTIONS FOR FUTURE REFERENCE

The term "power tool" in the warnings refers to your mains-operated (corded) power tool or battery-operated (cordless) power tool.

1) WORK AREA SAFETY

- a) **Keep work area clean and well lit.** Cluttered or dark areas invite accidents.
- b) **Do not operate power tools in explosive atmospheres, such as in the presence of flammable liquids, gases or dust.** Power tools create sparks which may ignite the dust or fumes.

- c) **Keep children and bystanders away while operating a power tool.** Distractions can cause you to lose control.

2) ELECTRICAL SAFETY

- a) **Power tool plugs must match the outlet. Never modify the plug in any way. Do not use any adapter plugs with earthed (grounded) power tools.** Unmodified plugs and matching outlets will reduce risk of electric shock.
- b) **Avoid body contact with earthed or grounded surfaces such as pipes, radiators, ranges and refrigerators.** There is an increased risk of electric shock if your body is earthed or grounded.
- c) **Do not expose power tools to rain or wet conditions.** Water entering a power tool will increase the risk of electric shock.
- d) **Do not abuse the cord. Never use the cord for carrying, pulling or unplugging the power tool. Keep cord away from heat, oil, sharp edges or moving parts.** Damaged or entangled cords increase the risk of electric shock.
- e) **When operating a power tool outdoors, use an extension cord suitable for outdoor use.** Use of a cord suitable for outdoor use reduces the risk of electric shock.
- f) **If operating a power tool in a damp location is unavoidable, use a residual current device (RCD) protected supply.** Use of an RCD reduces the risk of electric shock.

3) PERSONAL SAFETY

- a) **Stay alert, watch what you are doing and use common sense when operating a power tool. Do not use a power tool while you are tired or under the influence of drugs, alcohol or medication.** A moment of inattention while operating power tools may result in serious personal injury.
- b) **Use personal protective equipment. Always wear eye protection.** Protective equipment such as dust mask, non-skid safety shoes, hard hat, or hearing protection used for appropriate conditions will reduce personal injuries.

- c) **Prevent unintentional starting. Ensure the switch is in the off position before connecting to power source and/or battery pack, picking up or carrying the tool.** Carrying power tools with your finger on the switch or energising power tools that have the switch on invites accidents.
- d) **Remove any adjusting key or wrench before turning the power tool on.** A wrench or a key left attached to a rotating part of the power tool may result in personal injury.
- e) **Do not overreach. Keep proper footing and balance at all times.** This enables better control of the power tool in unexpected situations.
- f) **Dress properly. Do not wear loose clothing or jewellery. Keep your hair, clothing and gloves away from moving parts.** Loose clothes, jewellery or long hair can be caught in moving parts.
- g) **If devices are provided for the connection of dust extraction and collection facilities, ensure these are connected and properly used.** Use of dust collection can reduce dust-related hazards.
- 4) POWER TOOL USE AND CARE**
- a) **Do not force the power tool. Use the correct power tool for your application.** The correct power tool will do the job better and safer at the rate for which it was designed.
- b) **Do not use the power tool if the switch does not turn it on and off.** Any power tool that cannot be controlled with the switch is dangerous and must be repaired.
- c) **Disconnect the plug from the power source and/or the battery pack from the power tool before making any adjustments, changing accessories, or storing power tools.** Such preventive safety measures reduce the risk of starting the power tool accidentally.
- d) **Store idle power tools out of the reach of children and do not allow persons unfamiliar with the power tool or these instructions to operate the power tool.** Power tools are dangerous in the hands of untrained users.
- e) **Maintain power tools. Check for misalignment or binding of moving parts, breakage of parts and any other condition that may affect the power tool's operation. If damaged, have the power tool repaired before use.** Many accidents are caused by poorly maintained power tools.
- f) **Keep cutting tools sharp and clean.** Properly maintained cutting tools with sharp cutting edges are less likely to bind and are easier to control.
- g) **Use the power tool, accessories and tool bits etc., in accordance with these instructions taking into account the working conditions and the work to be performed.** Use of the power tool for operations different from those intended could result in a hazardous situation.
- 5) SERVICE**
- a) **Have your power tool serviced by a qualified repair person using only identical replacement parts.** This will ensure that the safety of the power tool is maintained.

SPECIFIC SAFETY RULES

Safety Warnings for Drills

- **Wear ear protectors.** Exposure to noise can cause hearing loss.
- **Use auxiliary handles supplied with the tool.** Loss of control can cause personal injury.
- **Hold power tool by insulated gripping surfaces only, when performing an operation where the cutting accessory may contact hidden wiring or its own cord.** Cutting accessory contacting a "live" wire may make exposed metal parts of the power tool "live" and shock the operator.
- **Use clamps or other practical way to secure and support the workpiece to a stable platform.** Holding the work by hand or against your body is unstable and may lead to loss of control.

- **Wear safety goggles or other eye protection.** Drilling operations cause chips to fly. Flying particles can cause permanent eye damage.
- **Bits and tools get hot during operation.** Wear gloves when touching them.
- **Keep handles dry, clean, free from oil and grease. it is recommended to use rubber gloves.** This will enable better control of the tool.
- **An extension cord must have adequate wire size (AWG or American Wire Gauge) for safety.** The smaller the gauge number of the wire, the greater the capacity of the cable, that is 16 gauge has more capacity than 18 gauge. An undersized cord will cause a drop in line voltage resulting in loss of power and overheating. When using more than one extension to make up the total length, be sure each individual extension contains at least the minimum wire size. The following table shows the correct size to use depending on cord length and nameplate ampere rating. If in doubt, use the next heavier gauge. The smaller the gauge number, the heavier the cord.

Voltage (Volts)	Total length of cord in meters (m)			
	0 - 7	7 - 15	15 - 30	30 - 50
120 - 127V	0 - 7	7 - 15	15 - 30	30 - 50
220 - 240V	0 - 15	15 - 30	30 - 60	60 - 100
Rated Ampere range	Minimal cross-sectional area of the cord in meters (mm ²)			
0 - 6A	1.0	1.5	1.5	2.5
6 - 10A	1.0	1.5	2.5	4.0
10 - 12A	1.5	1.5	2.5	4.0
12 - 16A	2.5	4.0	Not Recommended	

⚠ WARNING: Always use eye protection. All users and bystanders must wear eye protection that conforms to ANSI Z87.1.

⚠ WARNING: Always wear proper personal hearing protection that conforms to ANSI S12.6 (S3.19) during use. Under some conditions and duration of use, noise from this product may contribute to hearing loss.

⚠ WARNING: ALWAYS use safety glasses. Everyday eyeglasses are NOT safety glasses. Also use face or dust mask if cutting operation is dusty. ALWAYS WEAR CERTIFIED SAFETY EQUIPMENT:

- ANSI Z87.1 eye protection (CAN/CSA Z94.3),
- ANSI S12.6 (S3.19) hearing protection,
- NIOSH/OSHA/MSHA respiratory protection.

⚠ WARNING: Some dust created by power sanding, sawing, grinding, drilling, and other construction activities contains chemicals known to cause cancer, birth defects or other reproductive harm. Some examples of these chemicals are:

- lead from lead-based paints,
- crystalline silica from bricks and cement and other masonry products, and
- arsenic and chromium from chemically-treated lumber (CCA).

Your risk from these exposures varies, depending on how often you do this type of work. To reduce your exposure to these chemicals: work in a well ventilated area, and work with approved safety equipment, such as those dust masks that are specially designed to filter out microscopic particles.

- **Avoid prolonged contact with dust from power sanding, sawing, grinding, drilling, and other construction activities. Wear protective clothing and wash exposed areas with soap and water.** Allowing dust to get into your mouth, eyes, or lay on the skin may promote absorption of harmful chemicals.

⚠WARNING: Use of this tool can generate and/or disburse dust, which may cause serious and permanent respiratory or other injury. Always use NIOSH/OSHA approved respiratory protection appropriate for the dust exposure. Direct particles away from face and body.

- The label on your tool may include the following symbols. The symbols and their definitions are as follows:

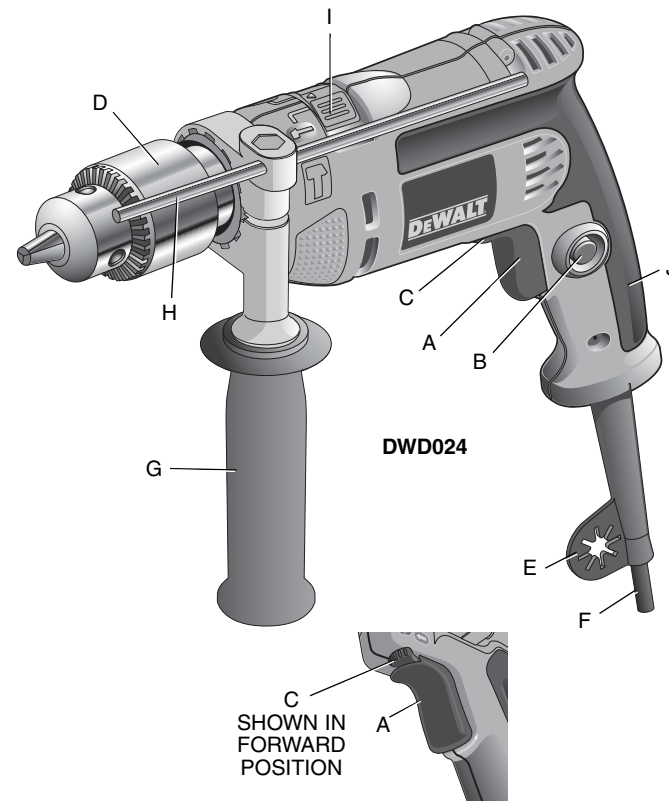
V	volts	A	amperes
Hz	hertz	W	watts
min	minutes	~	alternating current
— — —	direct current	⎓	alternating or direct current
⚠	Class I Construction (grounded)	n_0	no load speed
□	Class II Construction (double insulated)	⊕	earthing terminal
.../min	per minute	⚠	safety alert symbol
RPM	revolutions per minute	BPM	beats per minute

DESCRIPTION (FIG. 1)

⚠WARNING: Never modify the power tool or any part of it. Damage or personal injury could result.

- A. Variable speed trigger switch
- B. Lock-on button
- C. Forward/reverse button
- D. Chuck
- E. Cord protector with key holder
- F. Cord set
- G. Side handle
- H. Depth adjustment rod
- I. Mode selector
- J. Main handle

FIG. 1



INTENDED USE

These heavy-duty V.S.R. drills are designed for professional drilling.

DO NOT use under wet conditions or in presence of flammable liquids or gases.

These heavy-duty drills are professional power tools.

DO NOT let children come into contact with the tool. Supervision is required when inexperienced operators use this tool.

ASSEMBLY AND ADJUSTMENTS

⚠ WARNING: Prior to assembly and adjustment, **ALWAYS** unplug tool.

Side Handle (Fig. 1)

⚠ WARNING: To reduce the risk of personal injury, **ALWAYS** operate the tool with the side handle properly installed. Failure to do so may result in the side handle slipping during tool operation and subsequent loss of control. Hold tool with both hands to maximize control.

A side handle comes assembled with the DWD024. The side handle (G) can be fitted to suit both right-hand and left-hand users.

TO ADJUST THE SIDE HANDLE

1. Loosen the side handle (G) by turning it counterclockwise.
2. Rotate the side handle to the desired position.
3. Tighten the side handle by turning it clockwise.

TO CHANGE SIDES

For right-hand users: slide the side handle clamp over the chuck, handle at the left.

For left-hand users: slide the side handle clamp over the chuck, handle at the right.

Forward/Reverse Lever (Fig. 1)

The forward/reverse lever (C) is used for withdrawing bits from tight holes and removing screws. It is located above the trigger switch.

To reverse the motor, release the trigger switch **FIRST** and then push the lever to the right (viewed when holding the drill in the operating position).

After any reversing operations, return lever to forward position.

Mode Selector (Fig. 2)

NOTICE: Tool must come to a complete stop before activating the mode selector button or damage to the tool may result.

Select the required operating mode by sliding the mode selector (I) to the corresponding symbol.

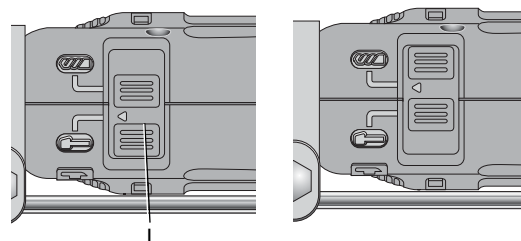
**DRILL-ONLY MODE**

Use drill-only mode for wood, metal, and plastics.

HAMMER-ONLY MODE

Use hammer-only mode for simultaneous rotating and impacting for masonry, brick and concrete.

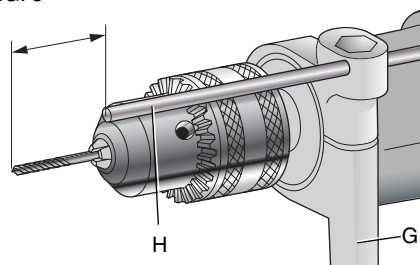
FIG. 2

**Setting the Drilling Depth (Fig. 3)**

1. Insert the required drill bit into the chuck.

2. Loosen the side handle (G).
3. Fit the depth adjustment rod (H) through the hole in the side handle clamp.

FIG. 3



4. Adjust the drilling depth as shown in Figure 3.
5. Tighten the side handle.

Keyed Chuck (Fig. 1, 4, 5)

DWD024

The DWD024 features a keyed chuck (D).

FIG. 4

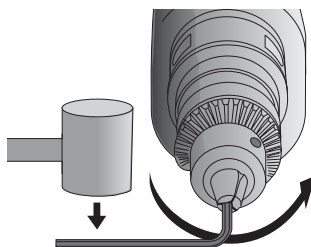
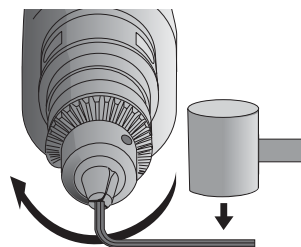


FIG. 5



TO INSERT A DRILL BIT OR OTHER ACCESSORY

1. Open the chuck jaws by turning collar by hand and insert the shank of the bit about 19 mm (3/4") into chuck. Tighten the chuck collar by hand.
2. Place chuck key in each of the three holes, and tighten in clockwise direction. It's important to tighten chuck with all three holes.

To release the bit, turn the chuck counterclockwise in just one hole, then loosen the chuck by hand.

REMOVAL OF KEYED CHUCK (FIG. 4)

Tighten the chuck around the shorter end of a hex key. Using a soft hammer, strike the key sharply in the counterclockwise direction when viewed from the front of the tool. This will loosen the chuck so that it can be removed by hand.

KEYED CHUCK INSTALLATION (FIG. 5)

Screw the chuck on by hand as far as it will go. Insert the shorter end of a hex key and strike it in the clockwise direction with a soft hammer.

OPERATION

⚠ WARNING: Always observe the safety instructions and applicable regulations.

⚠ WARNING: To reduce the risk of serious personal injury, turn tool off and disconnect tool from power source before making any adjustments or removing/installing attachments or accessories.

⚠ WARNING: To reduce the risk of personal injury, ALWAYS ensure workpiece is anchored or clamped firmly. If drilling thin material, use a wood "back-up" block to prevent damage to the material.

⚠ WARNING: Do not attempt to tighten or loosen drill bits (or any other accessory) by gripping the front part of the chuck and turning the tool on. Damage to the chuck and personal injury may occur.

Trigger Switch (Fig. 1)

To start the drill, depress the trigger switch; to stop the drill, release the trigger switch.

NOTE: Use lower speeds for starting holes without a center punch, drilling in metal or plastics, driving screws or drilling ceramics. Higher speeds are better for drilling wood and composition boards and using abrasive and polishing accessories.

VARIABLE SPEED

A variable speed trigger switch (A) permits speed control—the farther the trigger is depressed, the higher the speed of the drill.

For continuous operation, press and hold the variable speed switch, move the lock-on button (B) up, then release the switch.

To stop continuous operation, press the switch briefly and release it. Always switch the tool off when work is finished and before unplugging.

Proper Hand Position (Fig. 9)

▲ WARNING: To reduce the risk of serious personal injury, **ALWAYS** use proper hand position as shown in figure 9.

▲ WARNING: To reduce the risk of serious personal injury, **ALWAYS** hold securely in anticipation of a sudden reaction.

Proper hand position requires one hand on the main handle (J), with the other hand on the side handle (G).

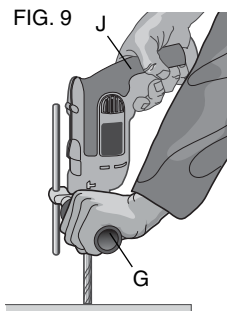


FIG. 9

Drilling

▲ WARNING: To reduce the risk of personal injury, **ALWAYS** ensure workpiece is anchored or clamped firmly. If drilling thin material, use a wood "back-up" block to prevent damage to the material.

1. Use sharp drill bits only. For WOOD, use twist drill bits, spade bits, power auger bits, or hole saws. For METAL, use steel twist drill bits or hole saws. For MASONRY, such as brick, cement, cinder block, etc., use carbide-tipped bits rated for percussion drilling.
2. Always apply pressure in a straight line with the bit. Use enough pressure to keep drill biting, but do not push hard enough to stall the motor or deflect the bit.
3. Hold tool firmly with both hands to control the twisting action of the drill.
4. **IF DRILL STALLS**, it is usually because it is being overloaded or improperly used. **RELEASE TRIGGER IMMEDIATELY**, remove drill bit from work, and determine cause of stalling. **DO NOT CLICK TRIGGER ON AND OFF IN AN ATTEMPT TO START A STALLED DRILL — THIS CAN DAMAGE THE DRILL.**
5. To minimize stalling or breaking through the material, reduce pressure on drill and ease the bit through the last fractional part of the hole.
6. Keep the motor running when pulling the bit back out of a drilled hole. This will help prevent jamming.
7. With variable speed drills there is no need to center punch the point to be drilled. Use a slow speed to start the hole and accelerate by squeezing the trigger harder when the hole is deep enough to drill without the bit skipping out.

DRILLING IN METAL

Start drilling with slow speed and increase to full power while applying firm pressure on the tool. A smooth even flow of metal chips indicates the proper drilling rate. Use a cutting lubricant when drilling metals. The exceptions are cast iron and brass which should be drilled dry.

NOTE: Large [5/16" (8 mm) to 1/2" (13 mm)] holes in steel can be made easier if a pilot hole [5/32" (4 mm) to 3/16" (5 mm)] is drilled first.

DRILLING IN WOOD

Start drilling with slow speed and increase to full power while applying firm pressure on the tool. Holes in wood can be made with the same twist drills used for metal. These bits may overheat unless pulled out frequently to clear chips from the flutes. Work that is apt to splinter should be backed up with a block of wood.

DRILLING IN MASONRY

When drilling in masonry, use carbide-tipped bits rated for percussion drilling and be certain that the bits are sharp. Use a constant and firm force on the tool to drill most effectively. A smooth, even flow of dust indicates the proper drilling rate.

MAINTENANCE

Your DEWALT power tool has been designed to operate over a long period of time with a minimum of maintenance. Continuous satisfactory operation depends upon proper tool care and regular cleaning.

⚠ WARNING: *To reduce the risk of injury, turn unit off and disconnect tool from power source before installing and removing accessories, before making any adjustments or removing/installing attachments or accessories.*

Motor Brushes

DEWALT uses an advanced brush system which automatically stops the drill when the brushes wear out. This prevents serious damage to the motor. New brush assemblies are available at authorized DEWALT service centers. Always use identical replacement parts.

Lubrication

Self-lubricating bearings are used in the tool and periodic relubrication is not required. In the unlikely event that service is ever needed, take your tool to an authorized service location.

Cleaning

⚠ WARNING: *Blow dirt and dust out of the main housing with dry air as often as dirt is seen collecting in and around the air vents. Wear approved eye protection and approved dust mask when performing this procedure.*

⚠ WARNING: *Never use solvents or other harsh chemicals for cleaning the non-metallic parts of the tool. These chemicals may weaken the materials used in these parts. Use a cloth dampened only with water and mild soap. Never let any liquid get inside the tool; never immerse any part of the tool into a liquid.*

Accessories

⚠ WARNING: *Since accessories, other than those offered by DEWALT, have not been tested with this product, use of such accessories with this tool could be hazardous. To reduce the risk of injury, only DEWALT, recommended accessories should be used with this product.*

Recommended accessories for use with your tool are available at extra cost from your local dealer or authorized service center.

⚠ CAUTION: *To reduce the risk of injury, the following accessories should be used only in sizes up to the maximums shown in the table below.*

MAXIMUM RECOMMENDED CAPACITIES

	DWD024
Chuck capacity	13 mm
Bits, metal drilling	13 mm
Wood, flat boring	25 mm
Masonry	16 mm

SPECIFICATIONS

DWD024-B3

Voltage	120 V ~
Frequency	50–60 Hz
Power - watts	650 W
RPM	0–2800
BPM	0–47600

Definiciones: Normas de seguridad

Las siguientes definiciones describen el nivel de gravedad de cada advertencia. Lea el manual y preste atención a estos símbolos.

▲ **PELIGRO:** indica una situación de peligro inminente que, si no se evita, **provocará la muerte o lesiones graves.**

▲ **ADVERTENCIA:** Indica una situación de peligro potencial que, si no se evita, **podría provocar la muerte o lesiones graves.**

▲ **ATENCIÓN:** indica una situación de peligro potencial que, si no se evita, **puede provocar lesiones leves o moderadas.**

AVISO: Se refiere a una práctica **no relacionada a lesiones corporales** que de no evitarse **puede resultar en daños a la propiedad.**



ADVERTENCIA: para reducir el riesgo de lesiones, lea el manual de instrucciones.

Advertencias generales de seguridad para las herramientas eléctricas

▲ **ADVERTENCIA:** Lea todas las advertencias de seguridad e instrucciones. El incumplimiento de las advertencias o instrucciones puede provocar descargas eléctricas, incendios o lesiones graves.

GUARDE LAS ADVERTENCIAS E INSTRUCCIONES PARA PODER CONSULTARLAS EN EL FUTURO

El término "herramienta eléctrica" incluido en todas las advertencias se refiere a su herramienta eléctrica conectada a la red (cable eléctrico) o a su herramienta eléctrica accionada con baterías (inalámbrica).

1) SEGURIDAD DEL ÁREA DE TRABAJO

- a) **Mantenga el área de trabajo limpia y bien iluminada.** Las áreas abarrotadas u oscuras propician accidentes.
- b) **No haga funcionar las herramientas eléctricas en atmósferas explosivas, como ambientes donde haya polvo, gases o líquidos inflamables.** Las herramientas eléctricas originan chispas que pueden encender el polvo o producir humo.
- c) **Mantenga alejados a los niños y a los espectadores de la herramienta eléctrica en funcionamiento.** Las distracciones pueden provocar la pérdida de control.

2) SEGURIDAD ELÉCTRICA

- a) **Los enchufes de la herramienta eléctrica deben adaptarse a la toma de corriente. Nunca modifique el enchufe de ninguna manera. No utilice ningún enchufe adaptador con herramientas eléctricas con conexión a tierra.** Los enchufes no modificados y que se adaptan a las tomas de corrientes reducirán el riesgo de descarga eléctrica.
- b) **Evite el contacto corporal con superficies con toma de tierra como, por ejemplo, tuberías, radiadores, cocinas y refrigeradores.** Existe mayor riesgo de descarga eléctrica si su cuerpo está puesto a tierra.
- c) **No exponga las herramientas eléctricas a la lluvia ni a condiciones de humedad.** Si entra agua en una herramienta eléctrica, aumentará el riesgo de descarga eléctrica.
- d) **No use el cable indebidamente. Nunca utilice el cable para transportar, tirar o desenchufar la herramienta eléctrica. Mantenga el cable alejado del calor, el aceite, los bordes afilados o las piezas móviles.** Los cables dañados o enredados aumentan el riesgo de descarga eléctrica.
- e) **Al operar una herramienta eléctrica en el exterior, utilice un cable prolongador adecuado para tal uso. Utilice un**

cable adecuado para uso en exteriores a fin de reducir el riesgo de descarga eléctrica.

- f) **Si no se puede evitar el uso de una herramienta eléctrica en una zona húmeda, utilice un dispositivo de corriente residual (residual current device, RCD) de seguridad.** El uso de un RCD reduce el riesgo de sufrir una descarga eléctrica.

3) SEGURIDAD PERSONAL

- a) **Permanezca alerta, controle lo que está haciendo y utilice el sentido común cuando emplee una herramienta eléctrica. No utilice una herramienta eléctrica si está cansado o bajo el efecto de drogas, alcohol o medicamentos.** Un momento de descuido mientras se opera una herramienta eléctrica puede provocar lesiones personales graves.
- b) **Utilice equipo de seguridad personal. Utilice siempre protección ocular.** El uso de equipo de seguridad, como mascarillas para polvo, calzado de seguridad antideslizante, cascos o protección auditiva en las condiciones adecuadas reducirá las lesiones personales.
- c) **Evite poner en marcha la herramienta involuntariamente. Asegúrese de que el interruptor está apagado antes de conectar la fuente de alimentación y/o la batería, coger o transportar la herramienta.** Transportar herramientas eléctricas con su dedo apoyado sobre el interruptor o enchufar herramientas eléctricas con el interruptor en la posición de encendido puede propiciar accidentes.
- d) **Retire la clavija de ajuste o la llave de tuercas antes de encender la herramienta eléctrica.** Una llave de tuercas o una clavija de ajuste que quede conectada a una pieza giratoria de la herramienta eléctrica puede provocar lesiones personales.

- e) **No se estire demasiado. Conserve el equilibrio y posicione adecuadamente en todo momento.** Esto permite un mejor control de la herramienta eléctrica en situaciones inesperadas.

- f) **Use la vestimenta adecuada. No use ropas holgadas ni joyas. Mantenga el cabello, la ropa y los guantes alejados de las piezas en movimiento.** Las ropas holgadas, las joyas o el cabello largo pueden quedar atrapados en las piezas en movimiento.

- g) **Si se suministran dispositivos para la conexión de accesorios con fines de recolección y extracción de polvo, asegúrese de que estén conectados y que se utilicen correctamente.** El uso del extractor de polvo puede reducir los riesgos relacionados con el polvo.

4) USO Y MANTENIMIENTO DE LA HERRAMIENTA ELÉCTRICA

- a) **No fuerce la herramienta eléctrica. Utilice la herramienta eléctrica correcta para el trabajo que realizará.** La herramienta eléctrica correcta hará el trabajo mejor, y de un modo más seguro, a la velocidad para la que fue diseñada.
- b) **No utilice la herramienta eléctrica si no puede encenderla o apagarla con el interruptor.** Las herramientas que no puedan ser controladas con el interruptor constituyen un peligro y deben repararse.
- c) **Desconecte el enchufe de la fuente de alimentación o la batería de la herramienta eléctrica antes de realizar cualquier ajuste, cambio de accesorios o almacenar las herramientas eléctricas.** Estas medidas de seguridad preventivas reducen el riesgo de encender la herramienta eléctrica de forma accidental.
- d) **Guarde la herramienta eléctrica que no esté en uso fuera del alcance de los niños y no permita que otras personas**

no familiarizadas con ella o con estas instrucciones operen la herramienta. Las herramientas eléctricas son peligrosas si son operadas por usuarios que no tienen formación.

- e) **Mantenimiento de las herramientas eléctricas.** *Revise que no haya piezas en movimiento mal alineadas o trabadas, piezas rotas o cualquier otra situación que pueda afectar el funcionamiento de las herramientas eléctricas. Si encuentra daños, haga reparar la herramienta eléctrica antes de utilizarla. Se producen muchos accidentes a causa de las herramientas eléctricas que carecen de un mantenimiento adecuado.*
- f) **Mantenga las herramientas de corte afiladas y limpias.** *Las herramientas de corte con mantenimiento adecuado y con los bordes de corte afilados son menos propensas a trabarse y son más fáciles de controlar.*
- g) **Utilice las herramientas eléctricas, sus accesorios y piezas, etc. de acuerdo con las presentes instrucciones, teniendo siempre en cuenta las condiciones de trabajo y el trabajo que deba llevar a cabo.** *El uso de la herramienta eléctrica para operaciones diferentes de aquellas para las que fue diseñada podría originar una situación peligrosa.*

5) MANTENIMIENTO

- a) **Solicite a una persona cualificada en reparaciones que realice el mantenimiento de su herramienta eléctrica y que solo utilice piezas de repuesto idénticas.** *Esto garantizará la seguridad de la herramienta eléctrica.*

NORMAS ESPECÍFICAS DE SEGURIDAD

Advertencias de seguridad para taladros

- **Utilice protectores auditivos.** *La exposición a ruidos fuertes puede causar pérdida auditiva.*

- **Utilice los mangos auxiliares que vienen con la herramienta.** *Perder el control de la herramienta podría causar lesiones corporales.*
- **Sostenga la herramienta eléctrica sólo por sus superficies de empuñadura aisladas cuando realice una operación en la cual la herramienta para cortar pudiera entrar en contacto con instalaciones eléctricas ocultas o con su propio cable.** *Si la herramienta para cortar entra en contacto con un hilo eléctrico activo, se activarán asimismo las partes metálicas de la herramienta expuestas a la corriente, las que podrán descargarse en el operador.*
- **Use abrazaderas u otra manera práctica de fijar y sujetar la pieza de trabajo a una plataforma estable.** *Sujetar la pieza con la mano o contra el cuerpo es inestable y resultará en que pierda el control.*
- **Lleve lentes de seguridad u otra protección ocular.** *Durante la perforación pueden salir disparados pedazos de material. Las partículas despedidas pueden provocar lesiones irreversibles en los ojos.*
- **Las brocas y las herramientas se calientan durante la operación.** *Utilice guantes para tocarlas.*
- **Mantenga las empuñaduras secas, limpias y libres de aceite y grasa.** *Se recomienda utilizar guantes de goma. Esto permitirá un mejor control de la herramienta.*
- **Los hilos del alargador deben ser de un calibre apropiado (AWG o American Wire Gauge) para su seguridad.** *Mientras menor sea el calibre del hilo, mayor la capacidad del cable. Es decir, un hilo calibre 16 tiene mayor capacidad que uno de 18. Un cable de un calibre insuficiente causará una caída en la tensión de la línea dando por resultado una pérdida de energía y sobrecalentamiento. Cuando se utilice más de un alargador para completar el largo total, asegúrese que los hilos de cada alargador tengan el calibre mínimo. La tabla siguiente muestra*

el tamaño correcto a utilizar, dependiendo de la longitud del cable y del amperaje nominal de la placa de identificación. Si tiene dudas sobre cuál calibre usar, use un calibre mayor. Cuanto más pequeño sea el número del calibre, más resistente será el cable.

Tensión (Volts)	Longitud del cable en metros (m)			
120 - 127V	0 - 7	7 - 15	15 - 30	30 - 50
220 - 240V	0 - 15	15 - 30	30 - 60	60 - 100
Corriente nominal (Ampéres)	Sección nominal mínima del cable en milímetros cuadrados (mm ²)			
0 - 6A	1,0	1,5	1,5	2,5
6 - 10A	1,0	1,5	2,5	4,0
10 - 12A	1,5	1,5	2,5	4,0
12 - 16A	2,5	4,0	No recomendado	

⚠ADVERTENCIA: Siempre use protección ocular. Todos los usuarios y personas circunstantes deben llevar protección ocular en conformidad con ANSI Z87.1.

⚠ADVERTENCIA: Siempre lleve la debida protección auditiva personal en conformidad con ANSI S12.6 (S3.19) durante el uso de esta herramienta. Bajo algunas condiciones y duraciones de uso, el ruido producido por este producto puede contribuir a la pérdida auditiva.

⚠ADVERTENCIA: Use SIEMPRE lentes de seguridad. Los anteojos de uso diario NO son lentes de seguridad. Utilice también máscaras faciales o para polvo si los cortes producen polvillo. UTILICE SIEMPRE EQUIPOS DE SEGURIDAD CERTIFICADOS:

- Protección para los ojos ANSI Z87.1 (CAN/CSA Z94.3),
- Protección auditiva ANSI S12.6 (S3.19),
- Protección respiratoria según las normas NIOSH/OSHA/MSHA.

⚠ADVERTENCIA: Parte del polvo creado al lijar, aserruchar, moler o perforar con máquina, así como al realizar otras actividades de la construcción, contiene substancias químicas que se sabe producen cáncer, defectos congénitos u otras afecciones reproductivas. Algunos ejemplos de esas substancias químicas son:

- plomo de pinturas a base de plomo,
- sílice cristalizado de ladrillos y cemento y otros productos de albañilería, y
- arsénico y cromo de la madera químicamente tratada (CCA).

El riesgo al contacto con estas substancias varía, según la frecuencia en que se haga este tipo de trabajo. Para reducir la exposición a esas substancias químicas: trabaje en un área bien ventilada, y trabaje con equipos de seguridad aprobados, tales como máscaras contra el polvo especialmente diseñadas para filtrar las partículas microscópicas.

- Evite el contacto prolongado con polvos originados por lijar, aserrar, esmerilar, taladrar y otras actividades constructivas. Vista ropas protectoras y lave las áreas expuestas con agua y jabón. Permitir que el polvo se introduzca en su boca, ojos, o dejarlo sobre la piel promueve la absorción de químicos dañinos.

⚠ADVERTENCIA: La utilización de esta herramienta puede originar polvo o dispersarlo, lo que podría causar daños graves y permanentes al sistema respiratorio, así como otras lesiones. Siempre use protección respiratoria aprobada por NIOSH/OSHA, apropiada para su uso en condiciones de exposición al polvo. Procure que las partículas no se proyecten directamente sobre su rostro o su cuerpo.

- La etiqueta de la herramienta puede incluir los siguientes símbolos. A continuación se indican los símbolos y sus definiciones:

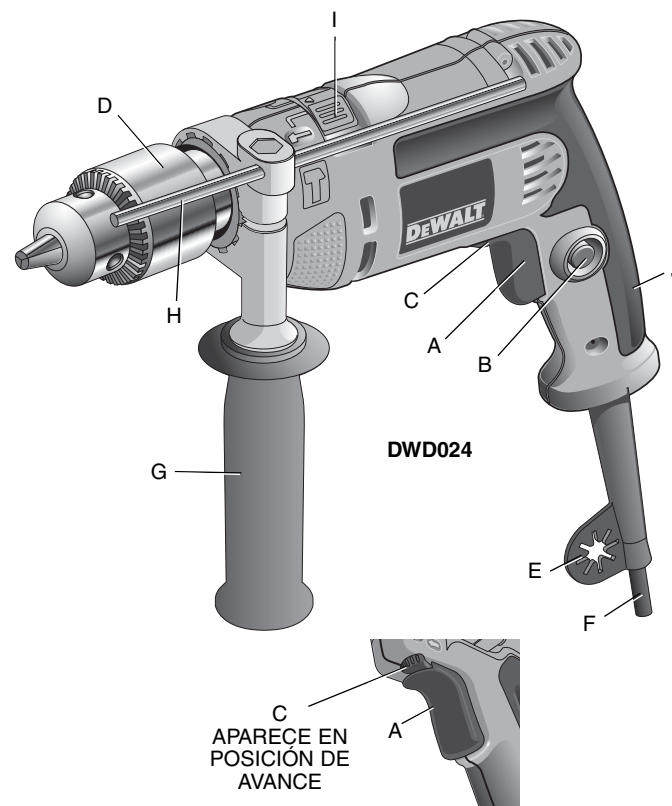
V	voltios	A	amperios
Hz	hertz	W	vatios
min	minutos	~	corriente alterna
— — —	corriente directa	⎓	corriente alterna o directa
Ⓛ	Construcción Clase I (con conexión a tierra)	n ₀	velocidad sin carga
Ⓜ	Construcción Clase II (con aislamiento doble)	⊖	terminal a tierra
RPM	revoluciones o reciprocidad por minuto	⚠	símbolo de alerta de seguridad
BPM	golpes por minuto	.../min	por minuto

DESCRIPCIÓN (FIG. 1)

⚠ ADVERTENCIA: Nunca modifique la herramienta eléctrica ni ninguna pieza de esta. Puede producir daños o lesiones corporales.

- A. Gatillo conmutador de velocidad variable
- B. Botón de bloqueo en encendido
- C. Botón de avance y reversa
- D. Mandril
- E. Protector de cable con sujeta llaves
- F. Cable
- G. Mango lateral
- H. Vástago de ajuste de profundidad
- I. Selector de modalidad
- J. Mango principal

FIG. 1



Español

USO DEBIDO

Estos taladros para trabajos pesados V.S.R. están diseñados para operaciones de perforación industriales.

NO utilice la herramienta en condiciones húmedas o en la presencia de líquidos o gases inflamables.

Estos taladros industriales son herramientas eléctricas profesionales.

NO permita que un niño juegue con ellos. Si el operador no tiene experiencia operando esta herramienta, su uso deberá ser supervisado.

MONTAJE Y AJUSTES

⚠ ADVERTENCIA: Antes de ensamblar y realizar ajustes, **SIEMPRE** desenchufe la herramienta.

Mango lateral (Fig. 1)

⚠ ADVERTENCIA: Para reducir el riesgo de lesiones corporales, **SIEMPRE** opere la herramienta con el mango lateral debidamente instalado y ajustado. El incumplimiento con lo anterior podría resultar en que el mango lateral se suelte durante la operación de la herramienta y que el operador pierda el control como consecuencia. Sostenga la herramienta con ambas manos para maximizar control.

El mango lateral viene ensamblado con el DWD024. El mango lateral (G) puede ser instalado para acomodar a zurdos y diestros.

PARA AJUSTAR EL MANGO LATERAL

1. Afloje el mango lateral (G) girándolo en el sentido contrario a las manecillas del reloj.
2. Rote el mango lateral a la posición deseada.
3. Ajuste el mango lateral girándolo en el sentido de las manillas del reloj.

PARA CAMBIAR DE LADO

Para usuarios diestros: deslice el soporte del mango lateral por encima del mandril, con el mango hacia la izquierda.

Para usuarios zurdos: deslice el soporte del mango lateral por encima del mandril, con el mango hacia la derecha.

Palanca de avance y retroceso (Fig. 1)

La palanca de avance y retroceso (C) se utiliza para poder retirar la broca de orificios ajustados y para destornillar tornillos. Se ubica encima del gatillo conmutador.

Para invertir la dirección del motor, suelte PRIMERO el gatillo conmutador y luego empuje la palanca a la derecha (si sostiene el taladro en su posición de operación).

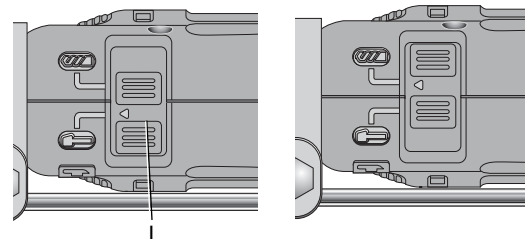
Luego de cualquier operación realizada en reversa, devuelva la palanca a su posición de avance.

Selector de modalidad (Fig. 2)

AVISO: La herramienta debe estar completamente parada antes de activar el botón selector de modalidad, a fin de evitar daños a la herramienta.

Deslice el selector de modalidad (I) al símbolo correspondiente para seleccionar la modalidad de operación que requiere.

FIG. 2





MODALIDAD DE SÓLO TALADRADO

Utilice la modalidad de sólo taladrado para madera, metales y plásticos.



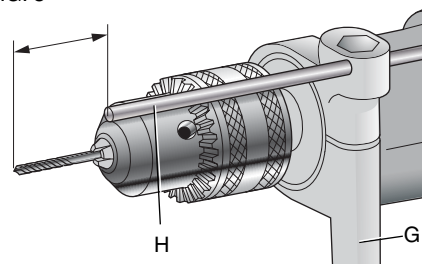
MODALIDAD DE SÓLO MARTILLADO

Utilice la modalidad de sólo martillado para aplicaciones que requieren rotación e impacto a la vez en mampostería, ladrillo y concreto.

Selección de la profundidad de taladrado (Fig. 3)

1. Inserte la broca que requiere en el mandril.
2. Afloje el mango lateral (G).
3. Inserte el vástago de ajuste de profundidad (H) en el orificio en el soporte del mango lateral.

FIG. 3



4. Ajuste la profundidad de taladrado como se muestra en la Figura 3.
5. Ajuste el mango lateral.

Mandril con llave (Fig. 1, 4, 5)

DWD024

El DWD024 viene con un mandril con llave (D).

FIG. 4

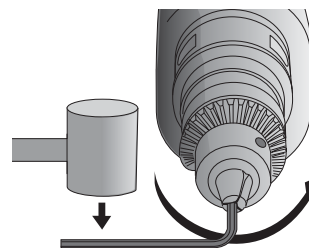
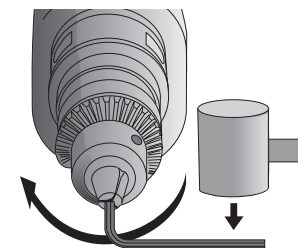


FIG. 5



PARA INSERTAR UNA BROCA DE TALADRO U OTRO ACCESORIO

1. Gire el collarín con la mano para abrir el mandril e inserte el vástago de la broca unos 19 mm (3/4 pulg.) en el mandril. Ajuste el collarín del mandril con la mano.
2. Coloque la llave del mandril en cada uno de los tres orificios y ajuste en el sentido de las manillas del reloj. Es importante que ajuste el mandril con los tres orificios.

Para liberar la broca, gire el mandril en sentido contrario a las manillas del reloj valiéndose solamente de un orificio y afloje a continuación el mandril con la mano.

RETIRO DEL MANDRIL CON LLAVE (FIG. 4)

Ajuste el mandril entorno al extremo corto de una llave hexagonal. Con un martillo blando, déle a la llave un golpe preciso en dirección contraria a las manillas del reloj (vista desde el frente de la herramienta). De esta forma se soltará el mandril para poderse retirar con la mano.

INSTALACIÓN DEL MANDRIL CON LLAVE (FIG. 5)

Atornille el mandril con la mano lo más que pueda. Inserte el extremo más corto de una llave hexagonal y déle a la llave un golpe preciso en dirección de las manillas del reloj con un martillo blando.

FUNCIONAMIENTO

⚠ **ADVERTENCIA:** *Observe siempre las instrucciones de seguridad y los reglamentos aplicables.*

⚠ **ADVERTENCIA:** *Para reducir el riesgo de lesiones corporales graves, apague la herramienta y desconéctela de la fuente de alimentación antes de realizar ajustes o de quitar o poner accesorios.*

⚠ **ADVERTENCIA:** *Para reducir el riesgo de lesiones corporales, SIEMPRE asegúrese de que la pieza de trabajo esté debidamente sujeta. Si va a perforar un material delgado, utilice un bloque de madera como "respaldo" para evitar dañarlo.*

⚠ **ADVERTENCIA:** *No intente ajustar o soltar las brocas (ni ningún otro accesorio) sujetando la parte frontal del mandril y encendiendo la herramienta. Esto podría dañar el mandril y causar lesiones corporales.*

Gatillo conmutador (Fig. 1)

Para encender el taladro, presione el gatillo conmutador; para detener el taladro, suelte el gatillo conmutador.

NOTA: Utilice velocidades menores para iniciar orificios sin usar un punzón, taladrar en metal o plástico, atornillar tornillos o perforar cerámica. Las velocidades más altas sirven mejor para taladrar en madera y aglomerados, y para usar accesorios abrasivos y de pulido.

VELOCIDAD VARIABLE

El gatillo conmutador de velocidad variable (A) permite el control de la velocidad — mientras más se presione el gatillo, más rápido funcionará el taladro.

Para un funcionamiento continuo, presione y sostenga el conmutador de velocidad variable, desplace el botón de bloqueo en encendido (B) hacia arriba y suelte el conmutador.

Para detener el funcionamiento continuo del taladro, presione y libere brevemente el conmutador. Siempre apague la herramienta al terminar el trabajo y antes de desenchufarla.

Posición debida de las manos (Fig. 9)

⚠ **ADVERTENCIA:** *Para reducir el riesgo de lesiones corporales graves, SIEMPRE coloque bien las manos, tal como se muestra en la figura 9.*

⚠ **ADVERTENCIA:** *Para reducir el riesgo de lesiones corporales graves, SIEMPRE debe de sujetar la herramienta correctamente para anticipar reacciones súbitas.*

Mantenga una mano sobre el mango principal (J) y la otra sobre el mango lateral (G) para sujetar la máquina correctamente.

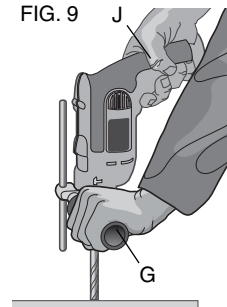


FIG. 9

Taladrado

⚠ **ADVERTENCIA:** *Para reducir el riesgo de lesiones corporales, SIEMPRE asegúrese de que la pieza de trabajo esté debidamente sujeta. Si va a perforar un material delgado, utilice un bloque de madera como "respaldo" para evitar dañarlo.*

1. Utilice exclusivamente brocas afiladas. Para MADERA, utilice brocas helicoidales, brocas de horquilla, brocas de berbiquí o brocas de sierra. Para METAL, use brocas de acero helicoidales o de campana. Para MAMPOSTERÍA, como ladrillos, cemento, bloques de hormigón, etc., utilice brocas con punta de carburo de tungsteno para taladrado con percusión.
2. Siempre aplique presión al taladro en línea recta con la broca. Haga suficiente presión para que la broca siga perforando, pero no tanta como para que el motor se atasque o la broca se desvíe.

3. Sujete el taladro firmemente con ambas manos para controlar la fuerza de torsión de la broca.
4. **SI EL TALADRO SE ATASCA**, esto probablemente se deberá a una sobrecarga o a un uso incorrecto. **SUELTE EL GATILLO DE INMEDIATO**, retire la broca de la pieza de trabajo y determine la causa del atascamiento. **NO APRIETE Y SUELTE REPETIDAMENTE EL GATILLO PARA INTENTAR DESATASCAR LA BROCA, YA QUE SE PODRÍA DAÑAR EL TALADRO.**
5. Para evitar que se atasque el taladro o que atravesase el material, reduzca la presión y deje ir suavemente la broca hacia el final del orificio.
6. Haga funcionar el motor al retirar la broca del interior del orificio. Esto evitará que se atasque.
7. Con los taladros de velocidad variable no hay necesidad de hacer una marca de centrado con un punzón. Utilice una velocidad menor para comenzar el orificio y acelere, presionando más el gatillo, cuando el orificio tenga la profundidad suficiente para evitar que la broca se salga.

TALADRADO EN METAL

Inicie la perforación a baja velocidad y vaya aumentándola hasta la máxima potencia mientras aplica presión firme en la herramienta. Un flujo uniforme y suave de virutas indica que se taladra a la velocidad adecuada. Emplee un lubricante para corte cuando taladre en metales. Las excepciones son el hierro colado y el latón, que se deben taladrar en seco.

NOTA: Los orificios grandes en acero [de 8 mm (5/16 pulg.) a 13 mm (1/2 pulg.)] se pueden hacer con mayor facilidad si se taladra primero un orificio piloto [de 4 mm (5/32 pulg.) a 5 mm (3/16 pulg.)].

TALADRADO EN MADERA

Inicie la perforación a baja velocidad y vaya aumentándola hasta la máxima potencia mientras aplica presión firme en la herramienta. Se puede taladrar la madera con las mismas brocas helicoidales que se utilizan para el metal. Estas brocas pueden sobrecalentarse a menos que se saquen con frecuencia para limpiarlas de virutas. Los trabajos susceptibles de astillarse deben respaldarse con un bloque de madera.

TALADRADO EN MAMPOSTERÍA

Cuando taladre en mampostería, utilice brocas afiladas con punta de carburo de tungsteno, clasificadas para percusión. Aplique una fuerza constante y firme en la herramienta para taladrar con mayor efectividad. Un flujo uniforme y suave de polvo indica que se está taladrando a la velocidad adecuada.

MANTENIMIENTO

Su herramienta DEWALT ha sido diseñada para funcionar durante un largo período con un mínimo de mantenimiento. Un funcionamiento continuo satisfactorio depende del cuidado adecuado de la herramienta y de una limpieza periódica.

⚠️ ADVERTENCIA: *Para minimizar el riesgo de graves lesiones personales, apague la herramienta y desconecte la batería antes de realizar ajustes o quitar/installar los acoples o accesorios. Un encendido accidental puede causar lesiones.*

Cepillos del motor

DEWALT utiliza un sistema avanzado de cepillos que detendrán automáticamente el taladro cuando los cepillos se desgasten. Esto evita producir daños graves al motor. Podrá comprar nuevas unidades de cepillos en los centros de servicios DEWALT autorizados. Siempre utilice repuestos idénticos.

Lubricación

La herramienta incorpora cojinetes auto lubricantes, por lo que no requiere lubricación periódica. En el remoto caso de que su herramienta llegue a requerir servicio, llévela a un centro de servicio autorizado.

Limpieza

⚠ ADVERTENCIA: *Sople la suciedad y el polvo de la carcasa principal con aire seco siempre que vea acumularse el polvo alrededor de los respiraderos. Utilice protección ocular y mascarillas antipolvo aprobadas cuando realice este procedimiento.*

⚠ ADVERTENCIA: *no use nunca disolventes ni otros agentes químicos agresivos para limpiar las piezas no metálicas de la herramienta. Estos agentes químicos pueden debilitar los materiales de dichas piezas. Use un trapo humedecido sólo con agua y jabón suave. No deje que penetre ningún líquido dentro de la herramienta y no sumerja ninguna pieza de la herramienta en líquidos.*

Accesorios

⚠ ADVERTENCIA: *Dado que algunos accesorios, diferentes de los ofrecidos por DEWALT, no se han probado con este producto, el empleo de tales accesorios podría constituir un riesgo. Para reducir el riesgo de lesiones, sólo deben usarse con el producto los accesorios recomendados DEWALT.*

Si desea más información sobre los accesorios adecuados, consulte a su distribuidor.

⚠ ATENCIÓN: *Para reducir el riesgo de lesiones, los siguientes accesorios deberían utilizarse sólo en los tamaños máximos que aparecen en la tabla de más abajo.*

CAPACIDADES MÁXIMAS RECOMENDADAS

	DWD024
Capacidad del mandril	13 mm
Máxima capacidad en metales	13 mm
Máxima capacidad en madera	25 mm
Máxima capacidad en mampostería	16 mm

ESPECIFICACIONES

	DWD024-B2	DWD024-B2C	DWD024-B3
Voltaje	220 V ~	220 V ~	120 V ~
Frecuencia	50–60 Hz	50–60 Hz	50–60 Hz
Potencia - vatios	650 W	650 W	650 W
RPM	0–2 800	0–2 800	0–2 800
Golpes por minuto	0–47 600	0–47 600	0–47 600

Definições: Diretrizes de Segurança

As definições abaixo apresentadas descrevem o grau de gravidade correspondente a cada palavra de advertência. Leia cuidadosamente o manual e preste atenção a estes símbolos.

▲ PERIGO: Indica uma situação de risco iminente que, se não for evitada, **resultará em morte ou ferimentos graves.**

▲ AVISO: Indica uma situação de risco potencial que, se não evitada, **poderá resultar em morte ou ferimentos graves.**

▲ CUIDADO: Indica uma situação de risco potencial que, se não evitada, **poderá resultar em ferimentos leves ou moderados.**

AVISO: Se refere a uma prática **no relacionada a lesiones corporales** que de no evitarse **puede resultar em daños a la propiedad.**



AVISO: para reduzir o risco de ferimentos, leia o manual de instruções.

Avisos de segurança gerais relativos a ferramentas elétricas

▲ AVISO! Leia todos os avisos de segurança e todas as instruções. O não cumprimento dos avisos e instruções poderá resultar em choque elétrico, incêndio e/ou lesões graves.

GUARDE TODOS OS AVISOS E INSTRUÇÕES PARA FUTURAS CONSULTAS

Em todos os avisos que se seguem, o termo “ferramenta elétrica” refere-se à sua ferramenta accionada por alimentação da rede elétrica (com fio) ou por bateria (sem fio).

1) SEGURANÇA DA ÁREA DE TRABALHO

- a) **Mantenha a área de trabalho limpa e bem iluminada.** As áreas desorganizadas ou escuras são propensas a acidentes.
- b) **Não utilize as ferramentas elétricas em ambientes explosivos ou na presença de líquidos, gases ou poeiras inflamáveis.** As ferramentas elétricas criam faíscas que podem inflamar as poeiras ou os fumos.
- c) **Mantenha crianças e outras pessoas à distância quando utilizar a ferramenta elétrica.** As distrações podem levar à perda de controle.

2) SEGURANÇA ELÉTRICA

- a) **Os plugues da ferramenta devem ser compatíveis com as tomadas. Nunca modifique o plugue. Não use nenhum plugue adaptador com as ferramentas aterradas.** Os plugues sem modificações aliados a utilização de tomadas compatíveis reduzirão o risco de choque elétrico
- b) **Evite o contato do corpo com superfícies ligadas ao terra ou aterradas tais como as tubulações, radiadores, escalas e refrigeradores.** Há um aumento no risco de choque elétrico se seu corpo for ligado ao terra ou aterramento.
- c) **Não exponha a ferramentas à chuva ou às condições úmidas.** A água entrando na ferramenta aumentará o risco de choque elétrico.
- d) **Não force o cabo elétrico. Nunca use o cabo elétrico para carregar, puxar ou o para desconectar a ferramenta da tomada. Mantenha o cabo elétrico longe do calor, óleo, bordas afiadas ou das partes em movimentos.** Os cabos danificados ou emaranhados aumentam o risco de choque elétrico.
- e) **Ao operar uma ferramenta ao ar livre, use um cabo de extensão apropriado para o uso ao ar livre.** O uso de um cabo apropriado ao ar livre reduz o risco de choque elétrico.

- f) **Se não for possível evitar trabalhar com uma ferramenta elétrica num local húmido, utilize uma alimentação protegida por um dispositivo de corrente residual (DCR).** A utilização de um DCR reduz o risco de choque elétrico.

3) SEGURANÇA PESSOAL

- a) **Fique atento, olhe o que você está fazendo e use o bom senso ao operar uma ferramenta. Não use a ferramenta quando você estiver cansado ou sob a influência de drogas, álcool ou de medicamentos.** Um momento de desatenção enquanto opera uma ferramenta pode resultar em grave ferimento pessoal.
- b) **Use equipamento de segurança. Sempre use óculos de segurança.** O equipamento de segurança tais como a máscara contra a poeira, sapatos de segurança antiderrapantes, capacete de segurança, ou protetor auricular usados em condições apropriadas reduzirão os ferimentos pessoais.
- c) **Evite acidente inicial. Assegure que o interruptor está na posição desligada antes de conectar o plugue na tomada.** Carregar a ferramentas com seu dedo no interruptor ou conectar a ferramenta que apresenta o interruptor na posição “ligado” são um convite à acidentes.
- d) **Remova qualquer chave de ajuste antes de ligar a ferramenta.** Uma chave de boca ou de ajuste unida a uma parte rotativa da ferramenta pode resultar em ferimento pessoal.
- e) **Não force além do limite. Mantenha o apoio e o equilíbrio adequado todas as vezes que utilizar a ferramenta.** Isto permite melhor controle da ferramenta em situações inesperadas.
- f) **Vista-se apropriadamente. Não use roupas demasiadamente largas ou jóias.** Mantenha seus cabelos, roupas e luvas longe das peças móveis. A roupa folgada, jóias ou cabelos longos podem ser presos pelas partes em movimento.

- g) **Se os dispositivos são fornecidos com conexão para extração e coleta de pó, assegure que estes estão conectados e usados corretamente.** O uso destes dispositivos pode reduzir riscos relacionados a poeira..

4) UTILIZAÇÃO E MANUTENÇÃO DE FERRAMENTAS ELÉTRICAS

- a) **Não sobrecarregue a ferramenta elétrica. Utilize a ferramenta elétrica correta para o seu trabalho.** A ferramenta elétrica adequada fará um trabalho melhor e mais seguro ao ritmo para que foi concebida.
- b) **Não utilize a ferramenta elétrica se o interruptor não puder ser ligado nem desligado.** Qualquer ferramenta elétrica que não possa ser controlada através do interruptor de ligar e desligar é um perigo e tem de ser reparada.
- c) **Retire a ficha da tomada e/ou a bateria da ferramenta elétrica antes de efetuar quaisquer ajustes no aparelho, substituir acessórios ou armazenar a ferramenta elétrica.** Estas medidas de segurança evitam que a ferramenta elétrica seja ligada acidentalmente.
- d) **Guarde as ferramentas elétricas que não forem ser utilizadas fora do alcance das crianças e não permita que o aparelho seja utilizado por pessoas não familiarizadas com o mesmo ou com estas instruções.** As ferramentas elétricas são perigosas nas mãos de pessoas sem formação.
- e) **Faça a manutenção das ferramentas elétricas. Verifique se as partes móveis do aparelho estão alinhadas e não emperram, se existem peças partidas ou danificadas e qualquer outra situação que possa interferir com o funcionamento do aparelho. Caso existam peças danificadas, devem ser reparadas antes da utilização do aparelho.** Muitos acidentes têm como causa a manutenção insuficiente das ferramentas elétricas.
- f) **Mantenha as ferramentas de corte sempre afiadas e limpas.** Ferramentas de corte devidamente tratadas, com

arestas de corte afiadas, emperram com menos frequência e controlam-se com maior facilidade.

- g) Utilize a ferramenta elétrica, os acessórios e as peças, etc., de acordo com estas instruções, tendo em conta as condições de trabalho e a tarefa a ser efectuada.** A utilização da ferramenta elétrica para fins diferentes dos previstos poderá resultar em situações perigosas.

5) ASSISTÊNCIA

- a) A sua ferramenta elétrica só deve ser reparada por pessoal qualificado e só devem ser utilizadas peças sobressalentes originais.** Desta forma, é assegurada a segurança da ferramenta elétrica.

REGRAS DE SEGURANÇA ESPECÍFICAS

Precauções de segurança para furadeiras

- **Use sempre protetores auriculares.** A exposição a ruídos pode causar perda de audição.
- **Use as empunhaduras auxiliares fornecidas com a ferramenta.** Perder o controle da ferramenta pode causar lesões corporais.
- **Segure a ferramenta elétrica usando somente as empunhaduras isoladas ao fazer um trabalho onde o acessório de corte possa entrar em contato com uma fiação oculta ou com o cabo elétrico da própria ferramenta.** O acessório de corte pode entrar em contato com um fio “vivo” e carregar as partes metálicas expostas da ferramenta e causar um choque elétrico no operador.
- **Use morsas, braçadeiras ou qualquer maneira prática para prender e apoiar a peça a ser trabalhada numa bancada estável.** Segurar a peça com as mãos ou contra seu corpo faz com que a peça fique instável e pode fazer com que você perca o controle dela.

- **Use sempre óculos de segurança ou outro tipo de proteção para os olhos.** O uso de um martelo ou uma furadeira pode projetar lascas ou estilhaços no ar. Ao serem projetadas no ar, estas partículas podem causar lesões permanentes aos olhos.
- **As brocas, os soquetes e as ferramentas esquentam durante o funcionamento.** Por isso, use luvas para tocá-los.
- **Mantenha as empunhaduras secas, limpas e livres de óleo, gordura ou graxa. Recomendamos o uso de luvas de borracha.** Isto dá ao usuário um melhor controle da ferramenta.
- **Para sua segurança, os cabos de extensão devem ter um calibre adequado (AWG ou American Wire Gauge).** Quanto menor for o calibre do fio, maior será a capacidade do cabo. Isto é, um fio de calibre 16 tem uma capacidade maior do que um fio de calibre 18. Uma extensão de menor calibre causará uma queda de voltagem o que resultará em perda de potência e superaquecimento da ferramenta. Ao usar mais de uma extensão para completar o comprimento total, tenha certeza de que os fios de cada extensão têm pelo menos o calibre mínimo. A tabela a seguir indica o tamanho que deve ser usado em função do comprimento do cabo e da amperagem nominal. Em caso de dúvida, use um fio de maior capacidade. Quanto menor o número do calibre, maior será a capacidade do cabo.

Tensão (Volts)	Comprimento do cabo de extensão em metros (m)				
	0 - 7	7 - 15	15 - 30	30 - 50	
120 - 127V	0 - 7	7 - 15	15 - 30	30 - 50	
220 - 240V	0 - 15	15 - 30	30 - 60	60 - 100	
Faixa de Corrente nominal (Ampères)	Secção mínima do cabo de extensão em milímetros quadrados (mm ²)				
	0 - 6A	1.0	1.5	1.5	2.5
	6 - 10A	1.0	1.5	2.5	4.0
	10 - 12A	1.5	1.5	2.5	4.0
	12 - 16A	2.5	4.0	Não Recomendado	

⚠ **ATENÇÃO:** Use sempre uma proteção para os olhos. Todos os usuários e outras pessoas presentes devem usar uma proteção para os olhos em conformidade com a norma ANSI Z87.1.

⚠ **ATENÇÃO:** Ao trabalhar com esta ferramenta, use sempre uma proteção adequada para seus ouvidos em conformidade com a norma ANSI S12.6 (S3.19). Sob algumas condições e dependendo do tempo de uso contínuo, o ruído produzido pela ferramenta pode contribuir para a perda da audição.

⚠ **ATENÇÃO:** Use **SEMPRE** óculos de segurança. Seus óculos de uso diário NÃO são óculos de segurança. Além disso, caso o trabalho de corte possa criar muito pó, use sempre uma máscara facial ou máscara contra pó. USE SEMPRE EQUIPAMENTOS DE SEGURANÇA CERTIFICADOS:

- Proteção para os olhos ANSI Z87.1 (CAN/CSA Z94.3),
- Proteção para os ouvidos ANSI S12.6 (S3.19),
- Proteção respiratória NIOSH/OSHA/MSHA.

⚠ **ATENÇÃO:** É possível que uma parte da poeira criada por algumas ferramentas elétricas de lixamento, serragem, esmerilhagem, perfuração e outras atividades de construção contenha substâncias químicas que comprovadamente causam câncer, defeitos congênitos ou problemas reprodutivos. Os seguintes são alguns exemplos desses produtos químicos:

- chumbo nas tintas à base de chumbo,
- sílica cristalina em tijolos, cimento e outros produtos de alvenaria, e
- arsênio e cromo em madeiras tratadas quimicamente com CCA (arseniato de cobre cromatado).

O risco de exposição a esses produtos varia dependendo da frequência de execução desse tipo de trabalho. A fim de reduzir sua exposição a essas substâncias químicas: trabalhe em áreas bem ventiladas e usando equipamentos de segurança aprovados como, por exemplo, máscaras contra pó fabricadas especialmente para impedir a passagem de partículas microscópicas.

- Evite o contato prolongado com o pó produzido por lixamento, serragem, esmerilhagem, perfuração e outras atividades de construção. Vista roupas protetoras e lave com água e sabão as partes do corpo expostas. Permitir que o pó entre em contato com a boca, os olhos ou a pele pode provocar a absorção de produtos químicos nocivos pelo corpo.

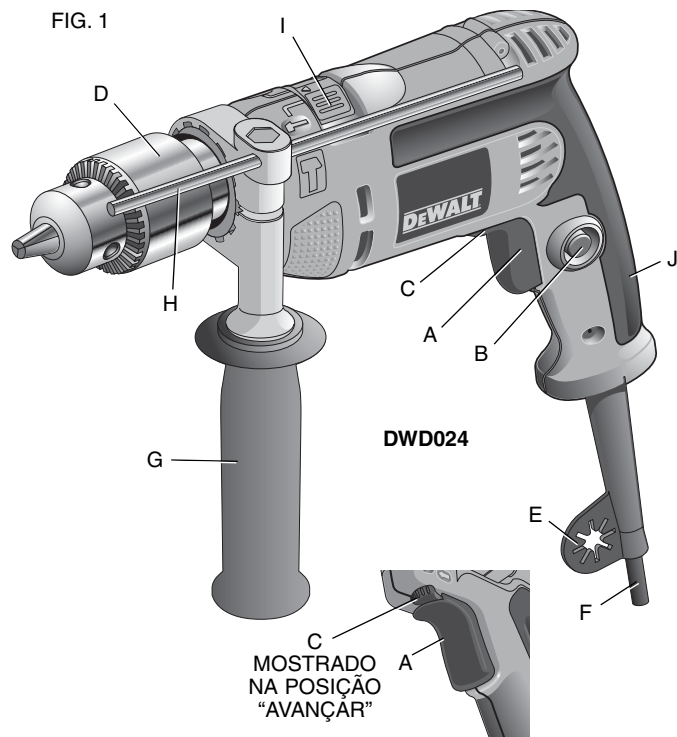
⚠ **ATENÇÃO:** O uso desta ferramenta pode criar e/ou espalhar pó que pode causar lesões respiratórias e de outros tipos sérias e permanentes. Use sempre equipamentos adequados de proteção respiratória contra pó aprovados pelo NIOSH ou pela OSHA. Direcione as partículas para longe do rosto e do corpo.

- A etiqueta de sua ferramenta pode incluir os símbolos abaixo. As definições de cada um deles são as seguintes:

V..... volts	A..... ampères
Hz..... hertz	W..... watts
min minutos	~ corrente alternada
== corrente contínua	∞ corrente alternada ou contínua
Ⓛ Construção de Classe I (aterrado)	n _o rotações sem carga
Ⓧ terminal de aterramento	□ Construção de Classe II (isolamento duplo)
⚠ símbolo de alerta de segurança	BPM batidas por minuto
.../min ... por minuto	RPM revoluções por minuto

DESCRIÇÃO (FIG. 1, 2)

⚠ **ATENÇÃO:** Nunca modifique a ferramenta elétrica ou qualquer uma das suas peças. Podem ocorrer danos ou lesões.



- A. Interruptor tipo gatilho de velocidade variável
- B. Botão de trava
- C. Botão Avançar/Recuar
- D. Mandril
- E. Protetor do cabo com suporte para chave
- F. Cabo

- G. Empunhadura lateral
- H. Ajuste da barra de profundidade
- I. Seletor de modo
- J. Empunhadura principal

USO DEVIDO DA FERRAMENTA

Estas furadeiras para trabalhos pesados V.S.R. foram fabricadas para trabalhos profissionais de perfuração.

NÃO use a ferramenta na presença de umidade nem de líquidos ou gases inflamáveis.

Estas furadeiras são ferramentas elétricas de uso profissional fabricadas para trabalhos pesados.

NUNCA deixe que nenhuma criança se aproxime da ferramenta nem brinque com ela. Os usuários que não tenham experiência com esta ferramenta devem sempre ser supervisionados.

MONTAGEM E AJUSTES

ATENÇÃO: Antes de fazer uma montagem ou um ajuste **SEMPRE** desconecte a ferramenta da corrente elétrica.

Empunhadura lateral (Figura 1)

ATENÇÃO: Para reduzir o risco de lesões corporais, **SEMPRE** opere a ferramenta com a empunhadura lateral devidamente instalada. Caso contrário, a empunhadura lateral pode se soltar durante a operação da ferramenta e o operador pode perder o controle. Segure a ferramenta com as duas mãos a fim de ter um controle máximo.

Os modelos DWD024 é vendido com uma empunhadura lateral já montada. A empunhadura lateral (G) pode ser montada para que a ferramenta seja usada com a mão direita ou com a mão esquerda.

COMO AJUSTAR A EMPUNHADURA LATERAL

1. Afrouxe a empunhadura lateral (G) girando-a no sentido anti-horário.

2. Gire a empunhadura lateral até a posição desejada.
3. Aperte a empunhadura lateral girando-a no sentido horário.

PARA MUDAR DE LADO

Para os usuários destros: deslize o prendedor da empunhadura lateral por cima do mandril, com a empunhadura à esquerda.

Para os usuários canhotos: deslize o prendedor da empunhadura lateral por cima do mandril, com a empunhadura à direita.

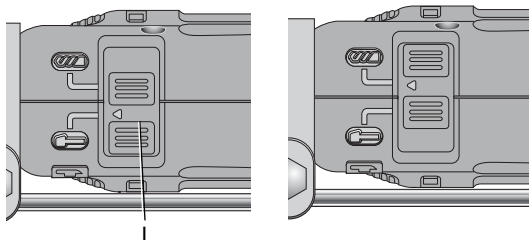
Alavanca Avançar/Recuar (Figura 1)

A alavanca de Avançar/Recuar (C) é usada para retirar brocas de orifícios apertados e remover parafusos. Ela se encontra acima do gatilho.

Para inverter o sentido do motor, EM PRIMEIRO LUGAR, solte o gatilho. Em seguida, empurre a alavanca para a direita (vista ao segurar a furadeira na posição de operação).

Após ter usado a ferramenta no sentido inverso, coloque novamente a alavanca na posição "Avançar".

FIG. 2



Seletor de modo (Figura 2)

AVISO: A fim de evitar danos à ferramenta, deixe que ela pare completamente antes de ativar o botão do seletor do modo de funcionamento.

Para selecionar o modo de funcionamento desejado, deslize o seletor de modo (I) até o símbolo correspondente.



MODO SOMENTE PERFURAÇÃO

Use o modo somente-perfuração para madeira, metal e plásticos.



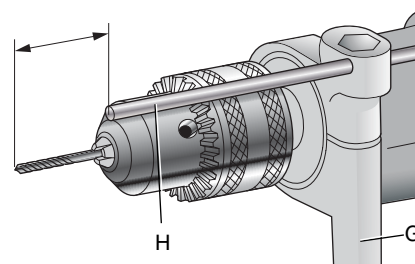
MODO SOMENTE MARTELAMENTO

Use o modo somente-martelamento para rotação e perfuração com impacto simultâneas ao trabalhar com alvenaria, tijolos e concreto.

Como determinar a profundidade de perfuração (Figura 3)

1. Insira a broca apropriada no mandril.
2. Afrouxe a empunhadura lateral (G).
3. Instale a barra de ajuste da profundidade (H) inserindo-a no orifício do prendedor da empunhadura lateral.

FIG. 3



4. Ajuste a profundidade de perfuração tal como mostrado na Figura 3.
5. Aperte a empunhadura lateral.

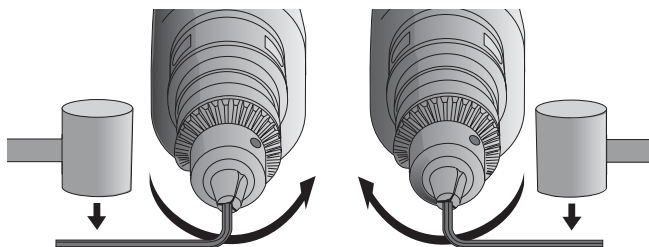
Mandril com chave (Figuras 1, 4, 5)

DWD024

O modelo DWD024 está equipado de um mandril com chave (D).

FIG. 4

FIG. 5



PARA INSERIR UMA BROCA OU QUALQUER OUTRO ACESSÓRIO

1. Para instalar a broca, abra o mandril girando o anel com os dedos e insira a haste da broca a uma profundidade de cerca de 19 mm (3/4") no mandril. Aperte o anel do mandril com a mão.
2. Coloque a chave do mandril em cada um dos três orifícios e aperte no sentido horário. É importante apertar o mandril com os três orifícios.

Para soltar a broca, gire o mandril no sentido anti-horário usando somente um orifício e, em seguida, folgue o mandril com a mão.

COMO RETIRAR UM MANDRIL COM CHAVE (FIGURA 4)

Aperte o mandril ao redor da ponta mais curta de uma chave hexagonal. Usando um martelo macio, golpeie a firmemente chave no sentido anti-horário quando vista da frente da ferramenta. Isto folgará o mandril para que ele possa ser retirado à mão.

INSTALAÇÃO DO MANDRIL COM CHAVE (FIGURA 5)

Aperte o mandril à mão o máximo possível. Insira a ponta mais curta de uma chave hexagonal e golpeie no sentido horário com um martelo macio.

COMO OPERAR A FERRAMENTA

⚠ ATENÇÃO: Siga sempre as instruções de segurança e os regulamentos aplicáveis.

⚠ ATENÇÃO: Para reduzir o risco de lesões corporais graves, sempre desligue a ferramenta e retire-a da corrente elétrica antes de fazer ajustes ou de retirar ou colocar acessórios.

⚠ ATENÇÃO: Para reduzir o risco de lesões corporais, verifique **SEMPRE** se a peça a ser trabalhada está bem ancorada ou apertada firmemente. Ao furar um material fino, use um bloco de madeira para suportar e prevenir danos ao material.

⚠ ATENÇÃO: Nunca tente apertar nem folgar uma broca (nem nenhum outro acessório) apertando a parte frontal do mandril e ligando a ferramenta. Isto pode danificar o mandril e causar lesões corporais.

Interruptor tipo gatilho (Figura 1)

Para acionar a ferramenta, pressione o gatilho; para parar a furadeira, solte o gatilho.

NOTA: Use velocidades mais baixas para começar a furar um orifício sem orifício-piloto, perfurar metais ou plásticos, apertar parafusos, ou furar cerâmica. As velocidades mais altas são melhores para fazer trabalhos de perfuração em madeira e placas de materiais compostos, e para usar acessórios de abrasão e polimento.

VELOCIDADE VARIÁVEL

O interruptor tipo gatilho de velocidade variável (A) permite que o usuário controle a velocidade da ferramenta. Quanto mais o usuário apertar o gatilho, mais alta será a velocidade da ferramenta.

Para operar a ferramenta de modo contínuo, aperte e segure o interruptor de velocidade variável, coloque o botão de trava (B) para cima, e solte o interruptor.

Para fazer parar a ferramenta, aperte o levemente e solte o interruptor. Sempre desligue o interruptor da ferramenta ao terminar o trabalho e antes de desconectá-la da corrente elétrica.

Como segurar corretamente a ferramenta (Figura 9)

⚠ **ATENÇÃO:** Para reduzir o risco de lesões graves, **SEMPRE** segure a ferramenta tal como mostrado na Figura 9.

⚠ **ATENÇÃO:** Para reduzir o risco de lesões graves, **SEMPRE** segure firmemente a ferramenta para estar preparado no caso de uma reação súbita da furadeira.

Para segurar corretamente a ferramenta, coloque uma mão na empunhadura principal (J) e a outra mão na empunhadura lateral (G).

Perfuração

⚠ **ATENÇÃO:** Para reduzir o risco de lesões corporais, verifique **SEMPRE** se a peça a ser trabalhada está bem ancorada ou apertada firmemente. Ao furar um material fino, use um bloco de madeira para suportar e prevenir danos ao material.

1. Use somente brocas afiadas. Para MADEIRA, use brocas helicoidais, brocas chatas, brocas com hélice rápida ou serracopo. Para perfurar METAL, use brocas helicoidais de aço ou brocas ocas. Para trabalhos de ALVENARIA em materiais como, por exemplo, tijolos, cimento, blocos de construção, etc., use brocas com ponta de carboneto apropriadas para perfuração com impacto.

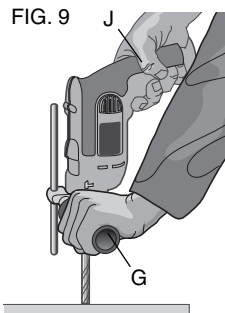


FIG. 9

2. Sempre aplique pressão em linha reta com a broca. Use uma pressão suficiente para que a broca continue furando. Porém, não use uma pressão excessiva que faça parar o motor ou que desvie a broca.
3. Segure firmemente a ferramenta com as duas mãos a fim de controlar a rotação da furadeira.
4. **SE A FURADEIRA PARAR**, isto geralmente quer dizer que ela foi sobrecarregada ou que está sendo usada incorretamente. **SOLTE IMEDIATAMENTE O GATILHO**, retire a broca e tente determinar a causa do problema. **NÃO APERTE E SOLTE REPETIDAMENTE O GATILHO PARA TENTAR FAZER FUNCIONAR NOVAMENTE A FURADEIRA, POIS ISTO PODE DANIFICÁ-LA.**
5. Para evitar que a furadeira emperre ou que atravesse o material, reduza a pressão e deixe a broca ir suavemente até o final do orifício.
6. Mantenha o motor funcionando ao retirar a broca do interior do orifício furado. Isto evitará que a ferramenta emperre.
7. Com furadeiras de velocidade variável não há necessidade de fazer uma marca no centro do ponto a ser perfurado. Use uma velocidade mais baixa para começar o orifício e acelere, pressionando mais o gatilho, quando o orifício tiver uma profundidade suficiente para evitar que a broca se solte.

PERFURAÇÃO EM METAL

Comece a perfurar a uma velocidade mais baixa e aumente até a velocidade máxima aplicando sempre uma pressão firme sobre a ferramenta. Um fluxo uniforme e contínuo de pó indica que a velocidade de perfuração é adequada. Quando perfurar metais use um lubrificante para corte. A exceção a esta regra são o ferro e o latão que devem ser perfurados a seco.

NOTA: Os orifícios grandes em aço [de 8 mm (5/16") a 13 mm (1/2")] podem ser feitos mais facilmente se um orifício-piloto [de 4 mm (5/32") a 5 mm (3/16")] for feito em primeiro lugar.

PERFURAÇÃO EM MADEIRA

Comece a perfurar a uma velocidade mais baixa e aumente até a velocidade máxima aplicando sempre uma pressão firme sobre a ferramenta. Para perfurar madeira, é possível usar as mesmas brocas helicoidais usadas para metais. Retire a ferramenta do orifício freqüentemente e limpe as aparas que se acumulam na broca a fim de evitar que a broca se esquite demasiadamente. Caso exista um risco de que a peça sendo trabalhada se estilhaça, use um bloco de madeira como suporte traseiro.

PERFURAÇÃO EM ALVENARIA

Para trabalhos de perfuração em alvenaria, use brocas com ponta de carboneto recomendadas para perfuração com impacto e certifique-se de que as brocas estejam afiadas. Para obter uma eficácia máxima ao perfurar, aplique uma força constante e firme sobre a ferramenta. Um fluxo uniforme e contínuo de pó indica que a velocidade de perfuração é adequada.

MANUTENÇÃO

Esta ferramenta eléctrica DEWALT foi concebida para o servir durante muito tempo com um mínimo de manutenção. Um funcionamento satisfatório e longo depende de cuidados adequados e de uma limpeza regular.

⚠ ATENÇÃO: *Para reduzir o risco de lesões graves, desligue a ferramenta e desligue a bateria antes de proceder a quaisquer ajustes ou de remover/instalar instrumentos ou acessórios. Um arranque acidental pode causar lesões.*

Escovas do motor

A DEWALT usa um sistema de escovas avançado que pára automaticamente a furadeira quando a escova está gasta. Isto impede a ocorrência de danos graves ao motor. Novos conjuntos de escovas estão disponíveis nos centros de serviço da DEWALT. Use sempre peças de reposição idênticas.

Lubrificação

A furadeira está equipada de rolamentos esferas autolubrificantes. Por isso, não há necessidade de lubrificação periódica. No evento improvável que sua ferramenta precise ser consertada, leve-a a um centro de assistência técnica autorizado.

Limpeza

⚠ ATENÇÃO: *Injecte ar seco para retirar a sujidade e o pó do alojamento principal, sempre que notar uma acumulação de sujidade nos respiradores ou em torno dos mesmos. Utilize uma protecção adequada para os olhos e uma máscara para o pó quando realizar esta operação.*

⚠ ATENÇÃO: *Nunca utilize solventes ou outros químicos agressivos para limpar as partes não metálicas da ferramenta. Estes químicos podem enfraquecer os materiais utilizados nestas partes. Utilize um pano humedecido apenas com água e detergente suave. Nunca permita que entre nenhum líquido na ferramenta; nunca mergulhe qualquer parte da ferramenta em líquido.*

Acessórios

⚠ ATENÇÃO: *Uma vez que os acessórios que não sejam os disponibilizados pela DEWALT não foram testados com este produto, a utilização de tais acessórios nesta ferramenta poderá ser perigosa. Para reduzir o risco de lesão, deverão utilizar-se apenas os acessórios recomendados pela DEWALT com este produto.*

Consulte o seu revendedor para mais informações acerca dos acessórios adequados.

⚠ CUIDADO: *Para reduzir o risco de lesões, os seguintes acessórios devem ser usados somente até os tamanhos máximos mostrados na tabela abaixo.*

CAPACIDADES MÁXIMAS RECOMENDADAS

	DWD024
Capacidad do mandril	13 mm
Máxima capacidade em metais	13 mm
Máxima capacidade em madeira	25 mm
Máxima capacidade em alvenaria	16 mm

ESPECIFICAÇÕES

	DWD024-B2
Voltagem	220 V ~
Frequência	50–60 Hz
Alimentação - Watts	650 W
RPM	0–2 800
Batidas por minutos	0–47 600



SOLAMENTE PARA PROPÓSITO DE ARGENTINA:
IMPORTADO POR: BLACK & DECKER ARGENTINA S.A.
PACHECO TRADE CENTER
COLECTORA ESTE DE RUTA PANAMERICANA
KM. 32.0 EL TALAR DE PACHECO
PARTIDO DE TIGRE
BUENOS AIRES (B1618FBQ)
REPÚBLICA DE ARGENTINA
NO. DE IMPORTADOR: 1146/66
TEL. (011) 4726-4400

SOLAMENTE PARA PROPÓSITO DE MÉXICO:
IMPORTADO POR: BLACK & DECKER S.A. DE C.V.
BOSQUES DE CIDROS, ACCESO RADIATAS NO. 42
3A. SECCIÓN DE BOSQUES DE LAS LOMAS
DELEGACIÓN CUAJIMALPA,
05120, MÉXICO, D.F.
TEL. (52) 555-326-7100
R.F.C.: BDE810626-1W7

IMPORTED BY/IMPORTADO POR:
BLACK & DECKER DO BRASIL LTDA.
ROD. BR 050, S/N° - KM 167
DIST. INDUSTRIAL II
UBERABA – MG – CEP: 38064-750
CNPJ: 53.296.273/0001-91
INSC. EST.: 701.948.711.00-98
S.A.C.: 0800-703-4644

MAQUINAS Y HERRAMIENTAS BLACK & DECKER CHILE S.A.
AVDA. EDUARDO FREI M. #6001 EDIFICIO 67
CONCHALI-SANTIAGO
CHILE

HECHO EN CHINA
FABRICO NO CHINA
MADE IN CHINA

DEWALT Industrial Tool Co., 701 East Joppa Road, Baltimore, MD 21286
(AUG10) Part No. N086627 DWD024 Copyright @ 2009, 2010 DEWALT

The following are trademarks for one or more DEWALT power tools: the yellow and black color scheme; the “D” shaped air intake grill; the array of pyramids on the handgrip; the kit box configuration; and the array of lozenge-shaped humps on the surface of the tool.

Free Manuals Download Website

<http://myh66.com>

<http://usermanuals.us>

<http://www.somanuals.com>

<http://www.4manuals.cc>

<http://www.manual-lib.com>

<http://www.404manual.com>

<http://www.luxmanual.com>

<http://aubethermostatmanual.com>

Golf course search by state

<http://golfingnear.com>

Email search by domain

<http://emailbydomain.com>

Auto manuals search

<http://auto.somanuals.com>

TV manuals search

<http://tv.somanuals.com>