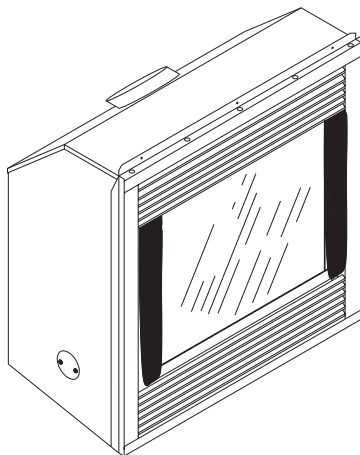




# DIRECT-VENT FIREPLACE OWNER'S OPERATION AND INSTALLATION MANUAL

For more information, visit [www.desatech.com](http://www.desatech.com)



## CD32M (-1)(-2), CD36M (-A1)(-A2), CD42M (-A)(-A2)

**WARNING:** If the information in this manual is not followed exactly, a fire or explosion may result causing property damage, personal injury, or loss of life.

### FOR YOUR SAFETY

Do not store or use gasoline or other flammable vapors and liquids in the vicinity of this or any other appliance.

### FOR YOUR SAFETY

#### WHAT TO DO IF YOU SMELL GAS

- Do not try to light any appliance.
- Do not touch any electrical switch
- Do not use any phone in your building.
- Immediately call your gas supplier from a neighbor's phone. Follow the gas supplier's instructions.
- If you cannot reach your gas supplier, call the fire department.

### SAVE THIS BOOK

This book is valuable. In addition to instructing you on how to install and maintain your appliance, it also contains information that will enable you to obtain replacement parts or optional accessory items when needed. Keep it with your other important papers.

**WARNING:** Improper installation, adjustment, alteration, service, or maintenance can cause injury or property damage. Refer to this manual for correct installation and operational procedures. For assistance or additional information consult a qualified installer, service agency, or the gas supplier.

**WARNING:** This direct-vent gas fireplace is intended for use with natural or propane/LP gas only. Do not attempt to burn any solid fuels in this appliance.

This fireplace is manufactured for Stylecrest Inc. under the Vexar brand name by DESA.

This fireplace may be installed as an OEM installation in a manufactured (mobile) home and must be installed in accordance with the manufacturers instructions and the Manufactured Home Construction and Safety Standard, Title 24 CFR, Part 3280 in the United States or the Mobile Home Standard, CAN/CSA Z240 MH Series, in Canada. This fireplace is only for use with the type(s) of gas indicated on the rating plate. A conversion kit is supplied with the fireplace.

Save this manual for future reference.

## TABLE OF CONTENTS

INTRODUCTION .....	2	TROUBLESHOOTING .....	15
SELECTING LOCATION .....	3	ILLUSTRATED PARTS BREAKDOWN AND PARTS LIST .....	16
PRE-INSTALLATION PREPARATION .....	3	SPECIFICATIONS .....	20
INSTALLATION .....	6	WIRING DIAGRAM .....	20
BURNER FLAME ADJUSTMENT .....	11	ACCESSORY AND REPLACEMENT PARTS .....	21
OPERATING FIREPLACE .....	12		
CONVERTING FIREPLACE FROM NATURAL GAS TO PROPANE/LP GAS .....	13		

## INTRODUCTION

**⚠ WARNING: This product contains and/or generates chemicals known to the State of California to cause cancer or birth defects, or other reproductive harm.**

Models CD32M series, CD36M-A series and CD42M-A series are heat circulating gravity direct-vent fireplaces with sealed combustion chamber. These fireplaces use millivolt gas control valve and millivolt ignition system.

These fireplaces are convertible with the standard setup as natural gas. Conversion may be performed by the O.E.M. mobile home builder or by a qualified service person on-site. If you are uncertain as to what gas your unit is equipped for, please check the rating plate located inside of the appliance opening or consult your mobile home supplier or your local distributor of DESA/Vexar products.

**NOTICE: Check local building codes for area requirements before installing this appliance.**

### BEFORE YOU BEGIN

Before beginning the installation of your appliance, read these instructions through completely.

This DESA/Vexar fireplace and its components are safe when installed according to this installation manual and operated as recommended. Unless you use DESA/Vexar components designed and tested for this fireplace system, **YOU MAY CAUSE A SAFETY HAZARD!**

The DESA/Vexar warranty will be voided by, and DESA/Vexar disclaims any responsibility for the following actions:

- A) Modification to the fireplace, components, doors, blower, fans or vent system.
- B) Use of any component part not manufactured or approved by DESA/Vexar in combination with a DESA/Vexar fireplace system.

Proper installation is the most important step in ensuring safe and continuous operation of the fireplace. Consult the local building codes as to the particular requirements concerned with the installation of all factory built fireplaces. This fireplace, when installed, must be electrically grounded in accordance with local codes, or in the absence of local codes, with the *National Electrical Code, ANSI/NFPA 70* or the *Canadian Electrical Code, CSA C22.1*.

The installation must conform with local codes or, in the absence of local codes, with the *National Fuel Gas Code, ANSI Z223.1* or the *Canadian Installation Code, CAN/CGA B149*. This appliance complies with ANSI Z21.88-1998 and CSA 2.33-M98 as a VENTED GAS FIREPLACE HEATER.

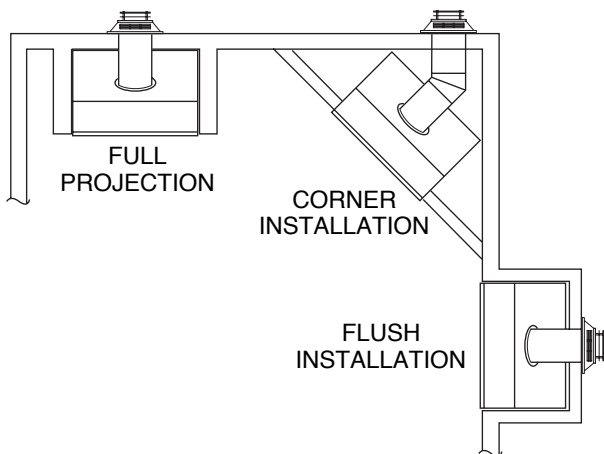
## SELECTING LOCATION

To determine the safest and most efficient location for your fireplace, consider the following guidelines:

1. The location must allow for proper clearances (see Figure 1).
2. Consider a location where the fireplace would not be affected by drafts, air conditioning ducts, windows or doors.
3. A location that avoids the cutting of joists or roof rafters makes ventilation installation easier.

In selecting a location, the following precautions must be observed:

- Do not connect this appliance to a chimney system used for solid fuel burning fireplace.
- Due to high temperatures, do not locate this appliance in high traffic areas or near furniture and draperies.
- Never obstruct the openings of the appliance or flow of ventilation air. Keep the control compartments accessible.
- Do not locate appliance close to where gasoline or other flammable liquids may be stored. The appliance must be kept clear and free from combustible materials.
- Do not use this appliance if any part has been under water. Immediately contact a local service technician to examine the appliance and to replace any part(s) of the control ignition system and other related components that have been submerged under water.



**Figure 1 - Common Fireplace Locations**

**Flush installation** is recommended where living space is limited.

**Projected installation** may be ideal for a new addition to an existing finished wall.

**Corner installation** makes use of a space that may not normally be used and provides a wider and more efficient range for radiant heat transfer.

## PRE-INSTALLATION PREPARATION

**⚠ CAUTION: Do not block required air spaces with insulation or any other material. Do not obstruct the effective opening of the appliance with any type of facing material.**

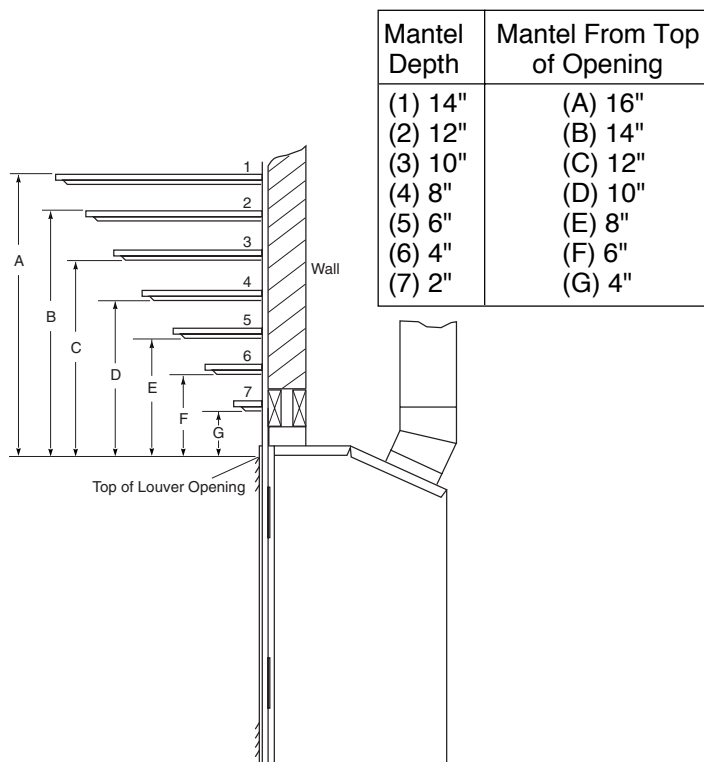
### CLEARANCES TO COMBUSTIBLES

Minimum clearances to combustibles for the fireplace are:

- Back and Sides of Fireplace ..... 0"
- Floor ..... 0"
- Perpendicular Wall ..... 6"
- Front ..... 36"
- Top of Standoffs ..... 0"

### MANTEL CLEARANCES

Woodwork, such as wood trims, mantles, and other combustible materials should be placed within the required clearance specified in Figure 2.



**Figure 2 - Mantel Clearances**

## PRE-INSTALLATION PREPARATION

*Continued*

### VENT TERMINATION CLEARANCES

The final position of your fireplace depends on the location of the vent termination in relation to the clearances that must be observed as shown in Figure 5 on page 5.

The vent system serves as the “chimney” as well as the combustion air supply (air intake). The horizontal run must have a rise of 1/4" (.6 cm) for every 12" (30.48 cm) of horizontal run towards the termination. The maximum horizontal run depends on the vertical rise from the fireplace adapter collar to the vent termination (see table below).

VERTICAL		HORIZONTAL	
0	to	1 ft (30.48 cm)	
1 ft (30.48 cm)	to	4 ft (121.92 cm)	
2 ft (60.96 cm)	to	8 ft (243.84 cm)	
3 ft (91.44 cm)	to	12 ft (365.76 cm)	
4 ft (121.92 cm)	to	16 ft (487.68 cm)	
5 ft (152.40 cm)	to	15 ft (457.20 cm)	
6 ft (182.88 cm)	to	14 ft (426.72 cm)	
7 ft (213.36 cm)	to	13 ft (396.24 cm)	
8 ft (243.84 cm)	to	12 ft (365.76 cm)	

**⚠ WARNING:** Never allow the vent to run downward as this may cause excessive temperatures which could cause a fire.

**⚠ WARNING:** Horizontal sections of this vent system require a minimum clearance of 2" from the top of the pipe and 1" minimum to the sides and bottom. Vertical sections of this system require a minimum of 1" clearance to combustible materials on all sides of the pipe.

### FRAMING

Once the final location has been determined, observing height clearances for vent termination, you may construct framing using dimensions shown in Figures 3 and 4, depending on your installation.

If the appliance is to be installed directly on carpeting, tile (other than ceramic), or any combustible material other than wood flooring, the appliance must be installed on a metal or wood panel extending the full width and depth of the appliance.

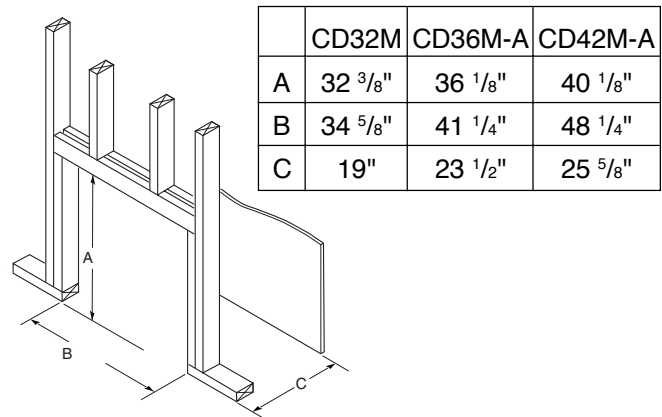
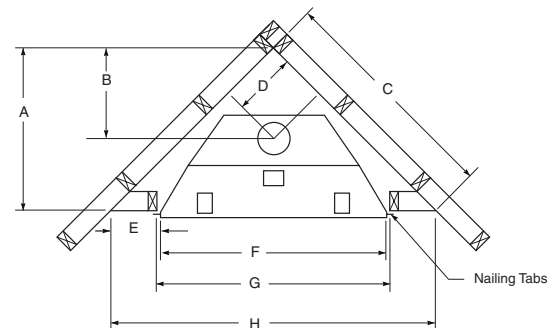


Figure 3 - Framing Dimension



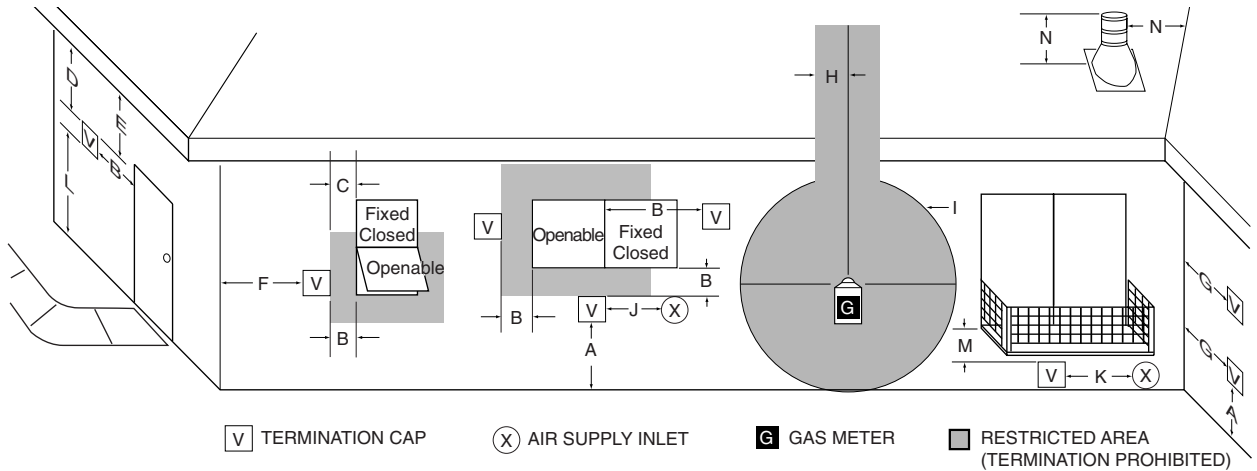
	CD32M	CD36M-A	CD42M-A
A	28 1/2"	35 3/4"	41 5/8"
B	13 5/8"	15"	21 5/8"
C	39 3/8"	49 5/8"	58 1/2"
D	9 1/2"	10 3/8"	13 1/2"
E	9 7/8"	13 3/4"	16 3/4"
F	34 1/2"	41 1/8"	48"
G	35 1/2"	42 1/8"	48 1/4"
H	54 3/8"	68 1/4"	81 1/2"

Figure 4 - Corner Installation

**For more information, visit [www.desatech.com](http://www.desatech.com)**

# PRE-INSTALLATION PREPARATION

Continued



- A = clearance above grade, veranda, porch, deck, or balcony [\*12 inches (30.5cm) minimum]
- B = clearance to window or door that may be opened [12 inches (30.5cm) minimum]
- C = clearance to permanently closed window [minimum 12 inches (30.5cm) recommended to prevent condensation on window]
- D = vertical clearance to ventilated soffit located above the terminal within a horizontal distance of 24 inches (61cm) from the center-line of the terminal [18 inches (45.7cm) minimum]
- E = clearance to unventilated soffit [12 inches (30.5cm) minimum]
- F = clearance to outside corner (see below)
- G = clearance to inside corner (see below)
- H = \*not to be installed above a meter/regulator assembly within 36 inches (91.4cm) horizontally from the center-line of the regulator
- I = clearance to service regulator vent outlet [\*72 inches (182.9cm) minimum]
- J = clearance to non-mechanical air supply inlet to building or the combustion air inlet to any other fireplace [\*12 inches (30.5cm) minimum]
- K = clearance to a mechanical air supply inlet [\*72 inches (182.9cm) minimum]
- L = clearance above paved side-walk or a paved driveway located on public property [\*84 inches (213.4cm) minimum]
- M = clearance under veranda, porch, deck [\*12 inches (30.5cm) minimum ]
- N = clearance above a roof shall extend a minimum of 24 inches (61cm) above the highest point when it passes through the roof surface and any other obstruction within a horizontal distance of 18 inches (45.7cm)

vent shall not terminate directly above a side-walk or paved driveway which is located between two single family dwellings and serves both dwellings\*  
 only permitted if veranda, porch, deck or balcony is fully open on a minimum of 2 sides beneath the floor\*  
 \* as specified in CAN/SGA B149 (.1 or .2) Installation Codes (1991) for Canada or for U.S.A. installation follow the current *National Fuel Gas Code, ANSI Z223.1*  
 Note: Local codes or regulations may require different clearances

## Termination Clearances for Buildings with Combustible and Noncombustible Exteriors

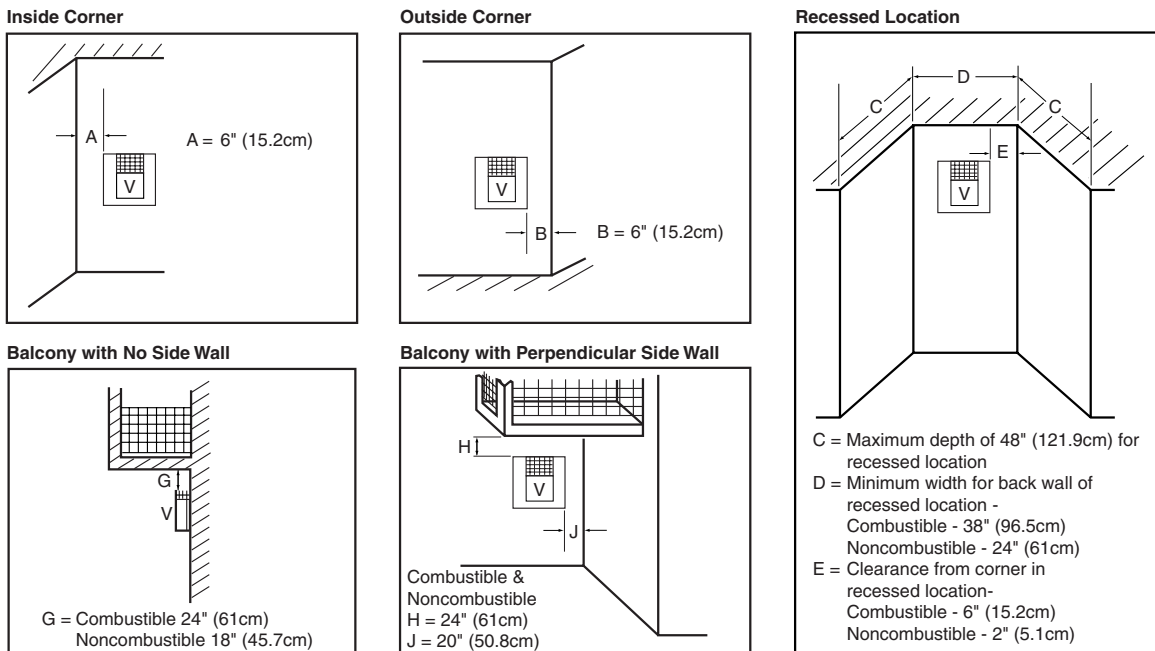


Figure 5 - Minimum Clearances for Vent Terminations

For more information, visit [www.desatech.com](http://www.desatech.com)

## INSTALLATION

**⚠ WARNING: Read all instructions completely and thoroughly before attempting installation. Failure to do so could result in serious injury, property damage or loss of life. Operation of improperly installed and maintained venting system could result in serious injury, property damage or loss of life.**

**NOTICE: Failure to follow these instructions will void the warranty.**

### VENTING INSTALLATION PRECAUTIONS

Consult local building codes before beginning the installation. The installer must make sure to select the proper vent system for installation. Before installing vent kit, the installer must read this fireplace manual and vent kit instructions.

Only a qualified service person should install venting system. The installer must follow these safety rules:

- Wear gloves and safety glasses for protection
- Use extreme caution when using ladders or when on roof tops
- Be aware of electrical wiring locations in walls and ceilings

The following actions will void the warranty on your venting system:

- Installation of any damaged venting component
- Unauthorized modification of the venting system
- Installation of any component part not manufactured or approved by DESA
- Installation other than as instructed by these instructions

**⚠ WARNING: This gas fireplace and vent assembly must be vented directly to the outside. The venting system must NEVER be attached to a chimney serving a separate solid fuel burning appliance. Each gas appliance must use a separate vent system. Do not use common vent systems.**

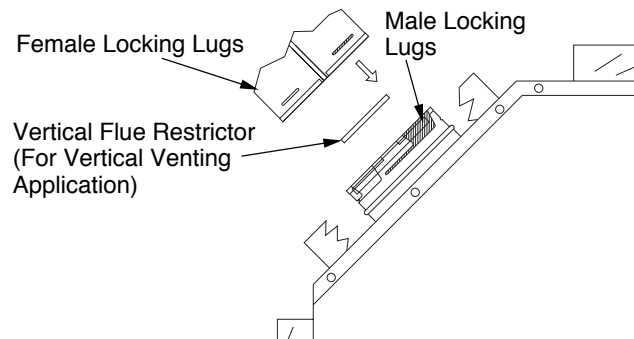
**⚠ WARNING: Horizontal sections of this vent system require a minimum clearance of 2" from the top of the pipe and 1" minimum to the sides and bottom. Vertical sections of this system require a minimum of 1" clearance to combustible materials on all sides of the pipe.**

### VENTING INSTALLATION

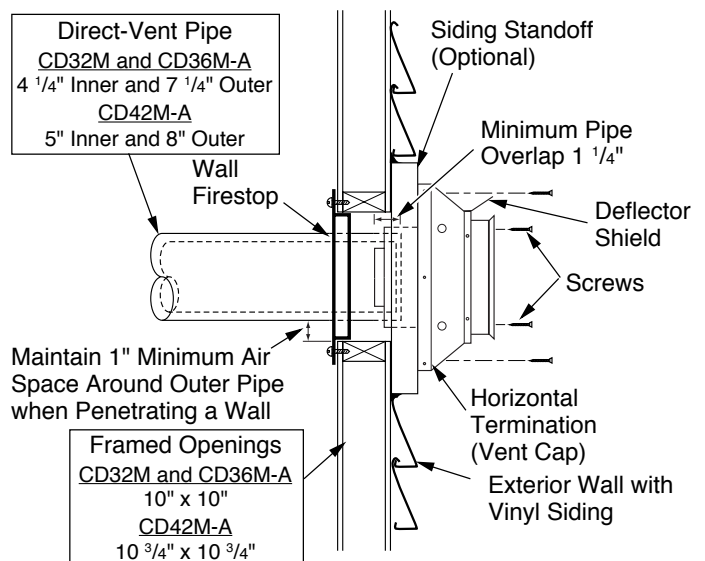
1. Install elbow to fireplace collar adapter located on back of the unit at a 45° angle. Slide elbow over collar and twist to lock. Check to insure proper connection (see Figure 6).
2. Continue to install remainder of pipe for desired installation. Make sure each section is twist-locked securely.

3. When installation of vent pipe is complete, install vent termination. Depending on the location of your fireplace, you will vent vertically or horizontally.
4. Allow 1" of pipe to protrude from internal wall, depending on wall thickness. See Figure 7.
5. For horizontal installation, an optional siding standoff may be installed between the vent cap and the exterior wall. Secure horizontal vent cap to standoff. Secure standoff/vent cap assembly to wall (see Figure 7). Do not seal termination to vent pipe. The vent termination must be removable for service pipe inspection.
6. For vertical installation, a vertical termination is available. Also for vertical venting application, install vertical flue restrictor into inner collar of fireplace as shown in Figure 6.

When installing a length of pipe for vertical termination that is over 3 ft., support the pipe every 3 ft. using metal wall straps. Vertical to horizontal pipe must be kept at a 1 ft. to 4 ft. ratio with a maximum run of no more than 20 ft.



**Figure 6 - Venting Installation**



**Figure 7 - Vent Termination (Horizontal)**

**For more information, visit [www.desatech.com](http://www.desatech.com)**

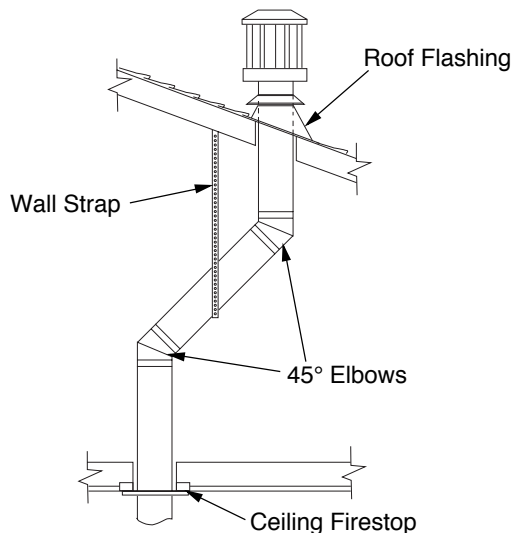
# INSTALLATION

## Continued

If an offset is necessary in the attic to avoid obstruction, it is important to support the vent pipe every 3 ft. to avoid excessive stress on the elbows and possible separation (see Figure 8, page 7).

Clearances must be maintained between the roof and the termination. Refer to chart below.

Roof Pitch	Minimum Height Above Roof
Flat - 7/12	1 ft. (30.48 cm)
7/12 - 8/12	1 1/2 ft. (45.72 cm)
8/12 - 9/12	2 ft (60.96 cm)
9/12 - 10/12	2 1/2 ft (76.20 cm)
10/12 - 11/12	4 ft (121.92 cm)
11/12 - 14/12	5 ft (152.40 cm)
14/12 - 16/12	6 ft (182.88 cm)
16/12 - 18/12	7 ft (213.36 cm)
18/12 - 20/12	7 1/2 ft (228.60 cm)
20/12 - 21/12	8 ft (243.84 cm)

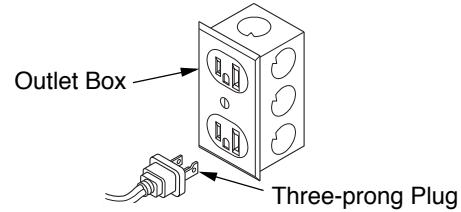


**Figure 8 - Vertical Termination with Offset and Wall Strap**

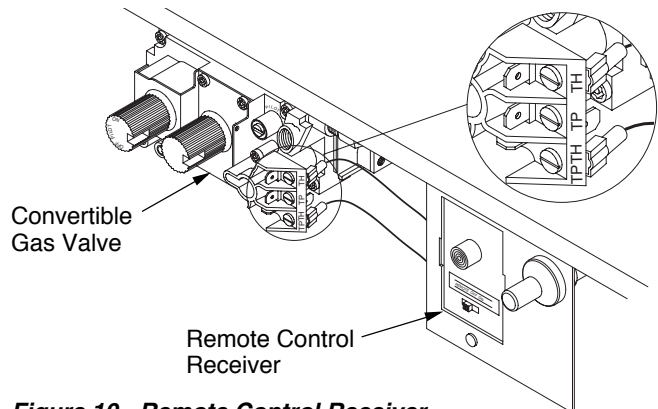
## ELECTRICAL HOOKUP AND REMOTE RECEIVER DIAGRAM

An outlet box with two receptacles (see Figure 9) has been supplied for your convenience and is located inside on the lower right side of the fireplace.

The remote control receiver is factory wired and connected to the convertible gas valve as shown in Figure 10.



**Figure 9 - Duplex Outlet**



**Figure 10 - Remote Control Receiver**

## GAS SUPPLY TESTING

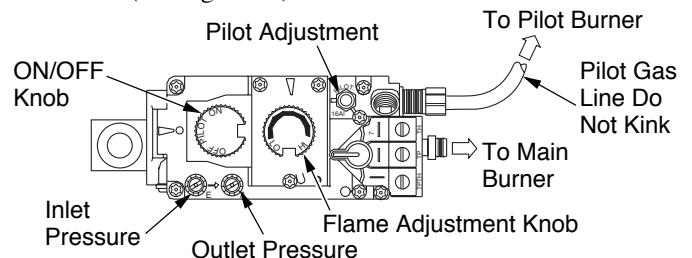
**NOTICE:** This section is intended as a guide for qualified technicians installing gas to the appliance.

**WARNING:** Do not connect appliance before pressure testing gas piping. Damage to gas valve may result and an unsafe condition may be created.

The appliance and its individual shutoff valve must be disconnected from the gas supply piping system during any pressure testing of that system at test pressures in excess of 1/2 psig (3.5 kPa).

The appliance must be isolated from the gas supply piping system by closing its individual shutoff valve during any pressure testing of the gas supply piping system at test pressures equal to or less than 1/2 psig (3.5 kPa).

The gas control valve is secured underneath the firebox. Two 1/8" ports are provided on the gas control valve for pressure test gauge connections (see Figure 11).



**Figure 11 - Gas Control Valve**

**For more information, visit [www.desatech.com](http://www.desatech.com)**

## INSTALLATION

### Continued

#### GAS LINE HOOK-UP

**⚠ WARNING: Gas line hook-up should be done by your gas supplier or a qualified service person.**

**⚠ WARNING: Before you proceed, make sure your gas supply is OFF.**

An equipment shutoff valve has been included in the fireplace's gas supply system. However, consider installing an extra shutoff valve outside the appliance's enclosure (check local codes), where it can be accessed more conveniently with a key through a wall as shown in Figure 12.

In conformance with local codes, route a 1/2" NPT gas line towards the appliance coming in from either the left or right side of the fireplace (see Figure 13).

Install a sediment trap between the incoming gas line and the gas control box. (see Figure 14). The sediment trap should extend down a minimum of 3" (7.62 cm) beyond the center of the pipe.

When routing gas line through conduit sleeve, make sure to repack insulation to fill gaps between gas line and conduit sleeve. Compounds used on threaded joints of gas piping shall be resistant to the action of propane or natural gas. Compounds should be applied lightly to ensure excess sealant does not enter the gas line.

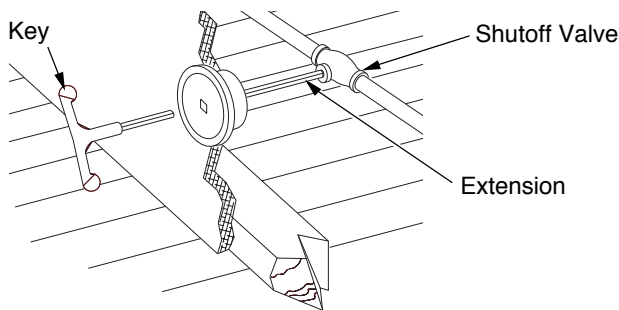


Figure 12- Typical Exterior Wall Gas Shutoff Installation

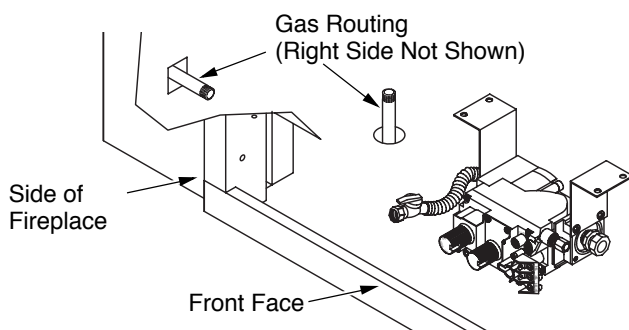


Figure 13 - Gas Line Routing

Complete your gas line installation by connecting the incoming gas line to the flexible gas line. Secure tightly with a wrench but do not over-tighten.

**⚠ WARNING: All gas piping and connections must be tested for leaks after the installation is completed.**

**Never use an open flame to check for a leak. After ensuring that the gas valve is open apply commercial leak detection fluid to all gas joints. Bubbles forming show a leak. Correct all leaks at once.**

**Do not operate any appliance if a leak is detected.**

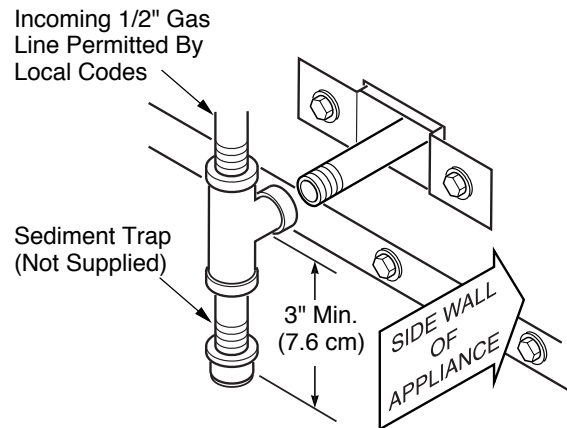


Figure 14 - Sediment Trap

#### PILOT ADJUSTMENT

The pilot or electrode assembly is factory preset for the proper flame height. Alterations to these settings may have occurred during shipping and handling. If this is the case, some minor readjustments may be necessary and should be done by a qualified service technician. The proper settings for the thermopile height should be at a distance of 3/8" (.95 cm) to 1/2" (1.27 cm) from the pilot flame as shown in Figure 15.

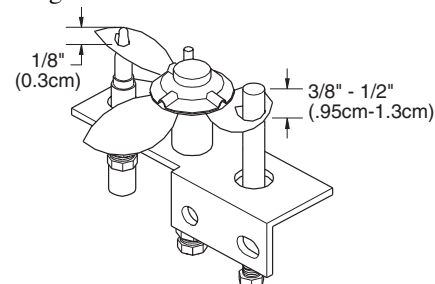


Figure 15 - Pilot Assembly

For more information, visit [www.desatech.com](http://www.desatech.com)



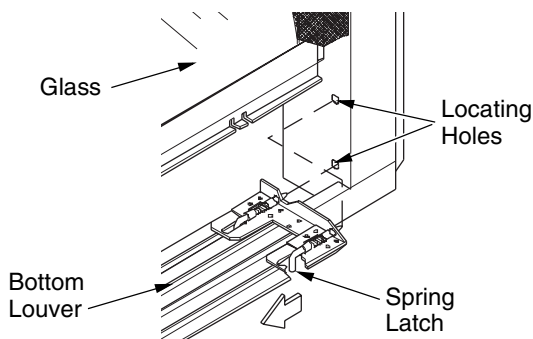
# INSTALLATION

*Continued*

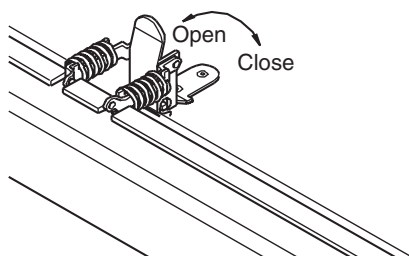
## REMOVING GLASS PANEL

**CAUTION:** Before you proceed, make sure your gas control valve is in the OFF position.

1. To remove louvers, pull both spring latches (located in each end of louver) toward center of appliance at the same time until disengaged from locating holes. Repeat for bottom end spring latches (see Figure 16).
2. Remove screen rod by removing rod loop from glass door center bracket. Slide screen rod either to the left or right of fireplace until one end is free to completely remove screen from fireplace.
3. Undo latches located on top and bottom of firebox (see Figure 17). Carefully swing door to the left. The glass door is securely mounted to the firebox with 5 screws.



**Figure 16 - Removing Louvers**



**Figure 17 - Spring Latches**

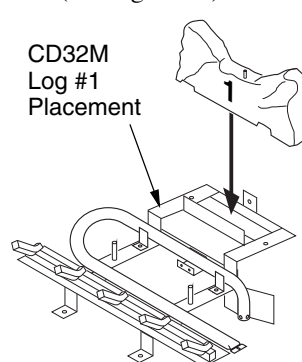
## INSTALLING LOG SET

Each log is marked with a number in the following diagram. These numbers will help in identifying the logs when installed. It is very important to install these logs exactly as instructed. Do not modify logs. Only use logs supplied with fireplace.

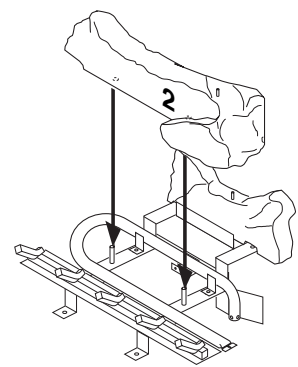
### Models CD32M and CD36M-A Series

1. Place log #1 (back log) on top of grate as shown in Figure 18 for the CD36M-A Series. Log #1 will go in front of the metal partition on grate (see Figure 18). Make sure notches in bottom of log fit over grate.

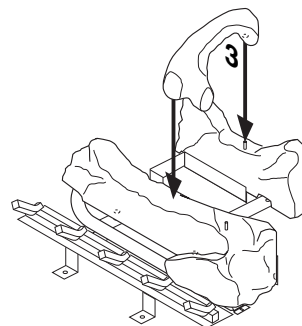
2. Place log #2 (large front log) over pins on grate (see Figure 19).
3. Place log #3 (c-shaped crossover log) onto rear and front logs as shown in Figure 20. Make sure it is seated properly on the smooth surface on front log and on the pin on back log.
4. Place log #4 (small round log) on pin on right side of front log (see Figure 21).
5. Place log #5 (small front log) onto the front left part of grate making sure notches fit over prongs of grate (see Figure 22).
6. Place log #6 onto two pins on left side of back and front logs (see Figure 22).



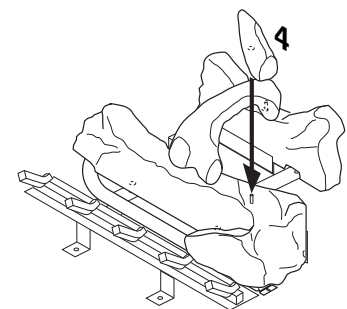
**Figure 18 - Installing Log #1 (CD36M-A Series Shown)**



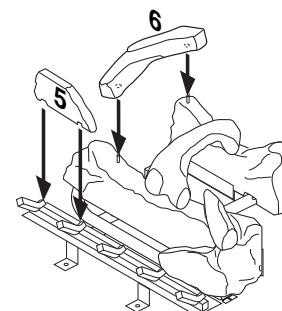
**Figure 19 - Installing Log #2 (CD36M-A Series Shown)**



**Figure 20 - Installing Log #3 (CD36M-A Series Shown)**



**Figure 21 - Installing Log #4 (CD36M-A Series Shown)**



**Figure 22 - Installing Logs #5 and #6 (CD36M-A Series Shown)**

**For more information, visit [www.desatech.com](http://www.desatech.com)**

## INSTALLATION

### Continued

#### Model CD42M-A Series

1. Place log #1 (small base log) onto pin on left side of grate extension (see Figure 23).
2. Rest left side of log #2 (front log) on top of log #1 and right side onto pin located on right side of grate extension (see Figure 24).
3. Place log #3 (rear log) onto pins on rear of grate (see Figure 25).
4. Place log #4 (crossover log) onto pins from both logs #2 and #3 (see Figure 26).
5. Place log #5 (top log) onto right pin of front log (#2) and smooth surface of rear log (#3). Make sure it is seated properly (see Figure 27).

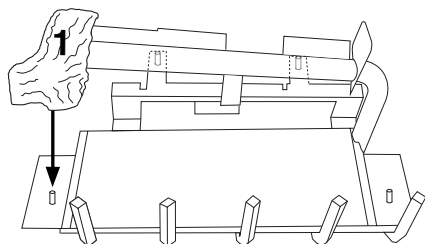


Figure 23 - Installing Log #1, Model CD42M-A

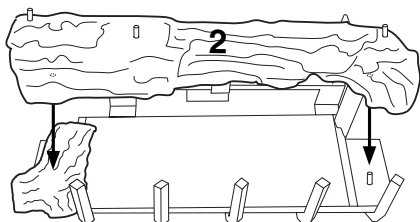


Figure 24 - Installing Log #2, Model CD42M-A

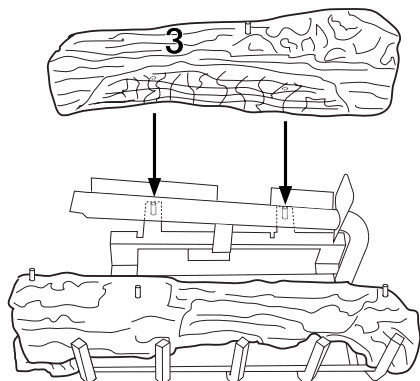


Figure 25 - Installing Log #3, Model CD42M-A

6. Place log #6 (left log) on left pin of front log (#2) and smooth surface of rear log (#3). Make sure it is seated properly (see Figure 28).
7. Place log #7 (right log) on right pin of top log (#5). Make sure it is seated properly (see Figure 28).

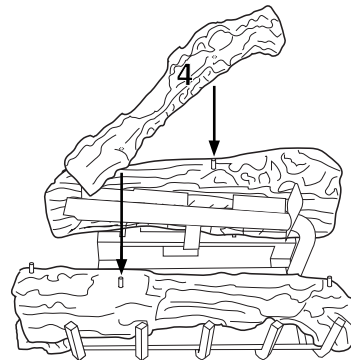


Figure 26 - Installing Log #4, Model CD42M-A

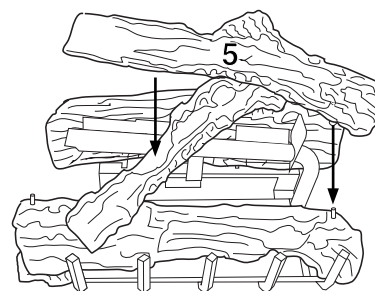


Figure 27 - Installing Log #5, Model CD42M-A

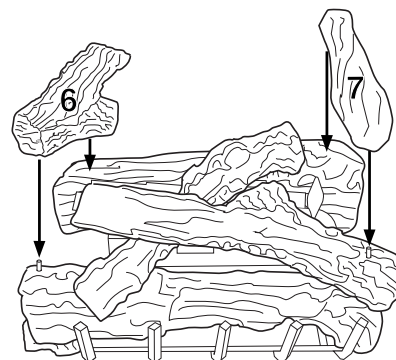


Figure 28 - Installing Logs #6 and #7, Model CD42M-A

## INSTALLATION

### Continued

#### Lava Rock and Ember Material

1. For all models, place lava rock along sides and front of firebox bottom in areas that are visible. It is not necessary to use all lava rock provided.

**NOTICE: Do not put lava rock on or under burner. Placing lava rock on burner could cause performance problems.**

2. Pull ember material apart into pieces no larger than a dime. Place loosely and directly onto exposed section of front burner and along space between burner and grate prongs. These will create glowing ember appearance as flame touches ember material. Do not block air slots by using too much ember material in one area. It is not necessary to use all ember material provided.
3. When lava rock and ember material are in place, close and latch glass door and secure louvers in place.

**WARNING: The glass door must be securely in place before operating fireplace. Do not operate fireplace if glass is missing or broken.**

#### DECORATIVE FACING

Any noncombustible material may be used as facing (glass, tile, brick, etc.) as long as the proper clearances are observed (see *Clearances to Combustibles*, page 3). Louvered openings must not be obstructed and upper and lower panels must remain accessible for service. Use only heat-resistant, noncombustible mortar or adhesive when securing decorative facing materials.

#### FACE EXTENSION FOR MODEL CD32M ONLY

Model CD32M comes equipped with a front face extension. The front face extension would add 3 1/2" to the width and 3/4" to the height of the fireplace face.

To install face extension:

1. Remove existing screws from front face assembly as shown in Figure 29.
2. Align holes on top face extension with holes on top side of front face assembly and secure with screws previously removed (see Figure 29).
3. Align holes on right face extension with holes on right side of front face assembly and secure with screws previously removed (see Figure 29). Do the same for left side.
4. Secure top face extension with left and right face extensions with two sheet metal screws (see Figure 29).

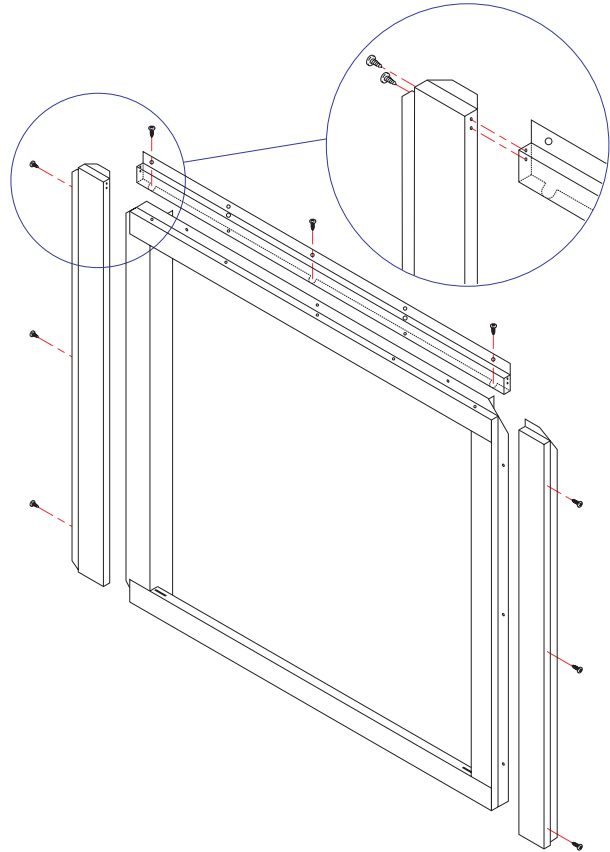


Figure 29 - Front Face Extension, Model CD32M Only

## BURNER FLAME ADJUSTMENT

The burner flame adjustment (shutter opening) has been factory preset (for natural gas) to the proper air-to-gas ratio. This ratio results in an even, clean burning flame across the burner (see Figure 30).

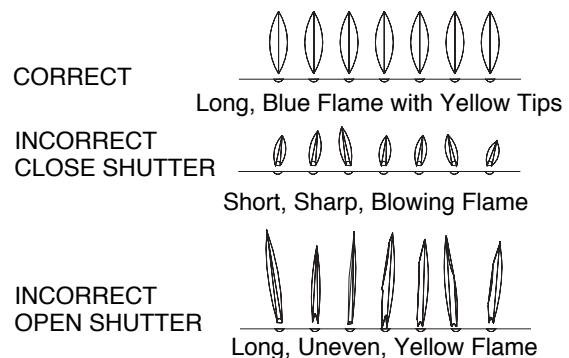


Figure 30 - Burner Flame Patterns

## BURNER FLAME ADJUSTMENT

### Continued

If adjustment is necessary, you can restore the proper flame setting by loosening the air shutter screw and rotating the air shutter until proper setting is achieved (see Figure 31). The correct shutter openings are as follows:

Model	Tube Burner		Pan Burner	
	Natural	Propane/LP	Natural	Propane/LP
CD32M	0.188"	Max.	—	—
CD36M-A	0.188"	Max	—	—
CD42M-A	0.188"	0.313"	0.188"	0.500"

**⚠ WARNING: Improper installation, adjustment, alteration, service or maintenance can cause injury or property damage. Refer to this manual for assistance. Consult a qualified installer for additional information.**

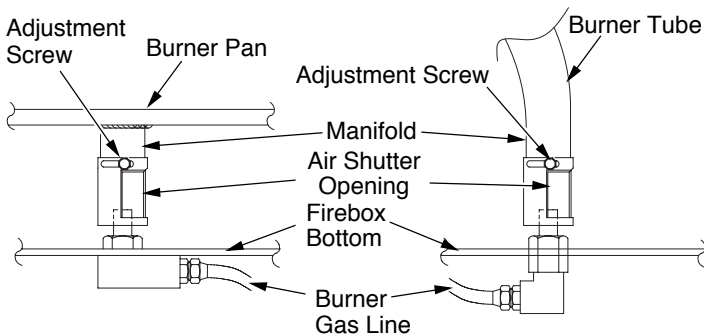


Figure 31 - Air Shutter Adjustments

## OPERATING FIREPLACE

### OPERATION GUIDELINES



- When used for the first time, the fireplace may emit a slight odor for about 16 to 24 hours. This is normal and is due to the “curing” of the logs and the “burn-in” of internal paint and lubricant used in the manufacturing process.
- Keep compartments, logs, burners and area surrounding logs clean by vacuuming and brushing at least twice a year or as necessary.
- Turn off gas and remote switch before servicing appliance. Any safety screen or guard removed for servicing the fireplace must be replaced prior to operation.
- Have a qualified agency periodically inspect vent system at the start of each heating season for any obstruction which will hinder its normal operation. Never obstruct the flow of combustion and ventilation air. Keep the front of the fireplace clear of all obstacles and materials

### FOR YOUR SAFETY READ BEFORE LIGHTING

**⚠ WARNING: If you do not follow these instructions exactly, a fire or explosion may result causing property damage, personal injury or loss of life.**


- A.** This appliance has a pilot which must be lighted by hand. When lighting the pilot, follow these instructions exactly.
- B.** BEFORE LIGHTING smell all around the appliance area for gas. Be sure to smell next to the floor because some gas is heavier than air and will settle on the floor.  
**WHAT TO DO IF YOU SMELL GAS**
  - Do not try to light any appliance.
  - Do not touch any electric switch; do not use any phone in your building.
  - Immediately call your gas supplier from a neighbor’s phone. Follow the gas supplier’s instructions.
  - If you cannot reach your gas supplier, call the fire department.
- C.** Use only your hand to push in control knob. Never use tools. If the knob will not push in or slide by hand, don’t try to repair it, call a qualified service technician. Force or attempted repair may result in a fire or explosion.
- D.** Do not use this appliance if any part has been under water. Immediately call a qualified service technician to inspect the appliance and to replace any part of the control system and any gas control which has been under water.

### LIGHTING INSTRUCTIONS

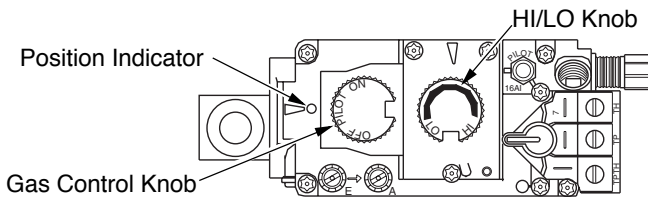
- 1.** STOP! Read the safety information above before proceeding.
- 2.** Set the “HI-LO” knob to the lowest setting.
- 3.** Turn off all electrical power to the appliance.
- 4.** Open control access panel.
- 5.** Push in gas control knob slightly and turn clockwise  to “OFF”.
- 6.** Wait five (5) minutes to clear out any gas. Then smell for gas, including near the floor. If you smell gas, STOP! Follow “B” in the safety information above. If you don’t smell gas, go to the next step.
- 7.** The pilot is located by the main burner.
- 8.** Turn knob on gas control counterclockwise  to “PILOT”.

## OPERATING FIREPLACE

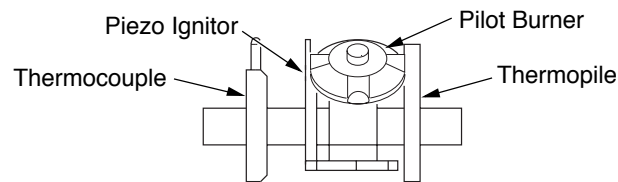
### Continued

9. Push in the control knob all the way and hold in. Immediately light the pilot by pressing the red ignitor button until a flame appears. Continue to hold the control knob in for about one (1) minute after the pilot is lit. Release knob and it will pop back up. Pilot should remain lit. If it goes out, repeat steps 5 through 9.
  - If knob does not pop out when released, stop and call service technician or gas supplier.
  - If the pilot will not stay lit after several tries, turn gas control knob to "OFF" and call your service technician or gas supplier.
10. Turn gas control knob counterclockwise  to "ON". Knob can be turned to "ON" only if the control knob is popped out.
11. Set "HI-LO" knob to desired setting.
12. Turn on all electric power to the appliance.

**Note:** It is recommended that you maintain the gas control knob in the full OFF position during lengthy periods of seasonal non-usage.




**Figure 32 - Control Knob in Pilot Position**



**Figure 33 - Pilot**

### TO TURN OFF GAS TO APPLIANCE

1. Turn off the wall switch.
2. Turn off all electric power to the appliance if service is to be performed.
3. Remove control access panel.
4. Push in gas control knob slightly and turn clockwise  to "OFF". Do not force.
5. Replace control access panel.

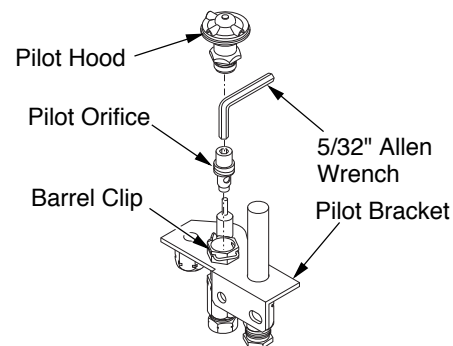
## CONVERTING FIREPLACE FROM NATURAL GAS TO PROPANE/LP GAS

The conversion kit is packaged with the unit. Please check the contents before beginning this conversion.

**⚠ WARNING:** Before proceeding, make sure the gas control valve is in the OFF position and all electrical power to the appliance is turned off.

### CONVERTING PILOT

1. Wait five (5) minutes to clear out any gas. Smell for any gas odor, especially near the floor. If any gas odor is present, STOP! See *For Your Safety Read Before Lighting* on page 12.
2. Locate the latch on the louver assembly. Remove top and bottom louvers by pulling the spring latches toward the center of the fireplace simultaneously until they are disengaged from the locating holes.
3. Undo latches located on top and bottom of firebox and swing door to the fully open position.
4. Carefully remove log set and ember material from burner and place them aside in a safe place.
5. Replace main burner orifice with burner orifice included in conversion kit (Model CD42M-A series contains two burner orifices).
6. Locate air shutter at end of burner manifold (end of tube burner for CD42M series). Loosen screw and adjust air shutter to proper setting (see *Burner Flame Adjustment*, page 11). Retighten screw.
7. Remove pilot hood by pulling up until it disengages from barrel. Do not remove the retainer clip (see Figure 34).
8. Remove pilot orifice from inside barrel using a 5/32" allen wrench to unscrew the orifice.
9. Replace pilot orifice with LP orifice supplied with this kit. The number 30 is stamped on the sleeve for identification. Insert small end of new pilot orifice into barrel and thread until tight with the allen wrench.



**Figure 34 - Converting Pilot**

**For more information, visit [www.desatech.com](http://www.desatech.com)**

## CONVERTING FIREPLACE FROM NATURAL GAS TO PROPANE/LP GAS

### Continued

- Line up notch on pilot hood to the positioning tab on barrel receiver and snap back into position.

**IMPORTANT:** Be careful not to bend or kink the aluminum tubing during conversion. Make sure the pilot hood and orifice are properly mated and aligned after finishing this conversion.

### CONVERTING CONTROL VALVE

Convert the gas control valve by swapping out the valve regulator portion of the gas valve.

- Using a TORX T20 or a slotted screwdriver, remove and discard the three mounting screws, pressure regulator tower, and diaphragm/spring components (see Figure 35).
- Insure that the rubber gasket is properly positioned on the new pressure regulator assembly. Install new pressure regulator assembly to valve using new mounting screws supplied with kit. Tighten screws securely (approximately 25 in/lb). See Figure 36.

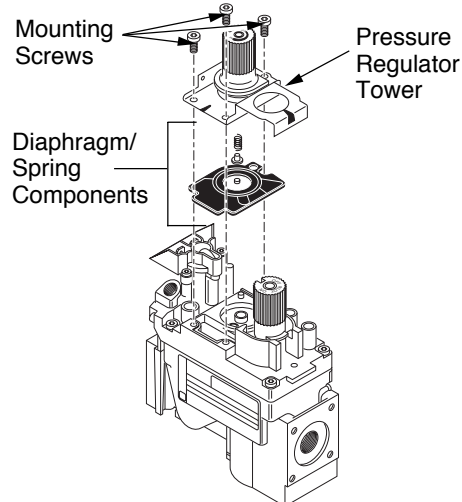


Figure 35 - Removing Parts for Gas Control Valve Conversion

- Install the identification label enclosed with gas valve regulator to the valve body where it can easily be seen (see Figure 36).

**⚠ WARNING:** The conversion kit must be installed by a qualified service technician in accordance with the manufacturers instructions and all applicable codes and requirements of the authority having jurisdiction. If any information in these instructions is not followed correctly, a fire, explosion or production of carbon monoxide may result causing property damage, personal injury or loss of life. The qualified service technician is responsible for the proper installation of this conversion kit.

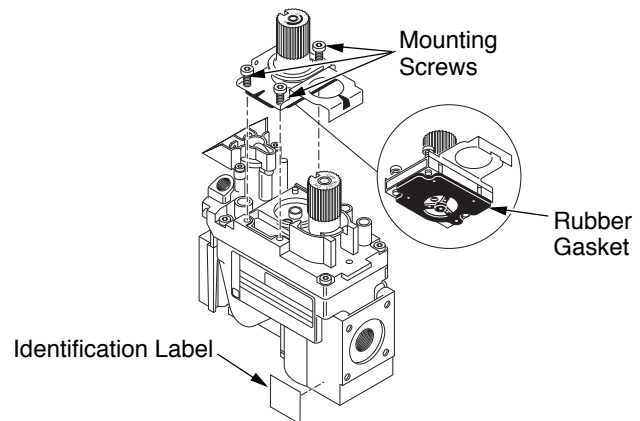


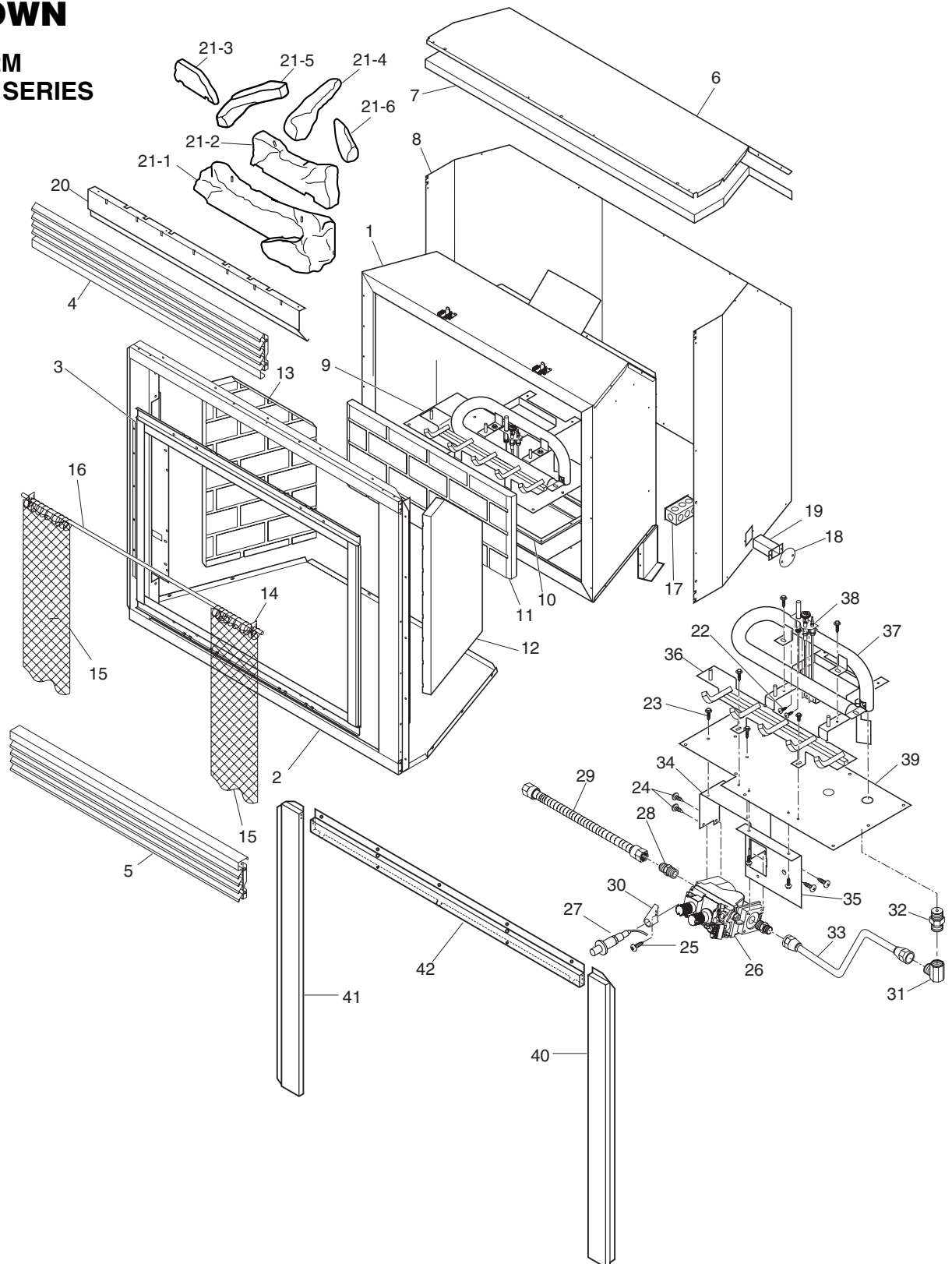
Figure 36- Installing New Parts for Gas Control Valve Conversion

## TROUBLESHOOTING

**⚠ WARNING: Turn off heater and let cool before servicing. Only a qualified service person should service and repair heater.**

OBSERVED PROBLEM	POSSIBLE CAUSE	REMEDY
Pilot will not stay lit	1. Defective thermocouple	<ol style="list-style-type: none"> <li>1. Check pilot flame. It must impinge on thermocouple</li> <li>2. Clean or adjust pilot for maximum flame impingement on thermocouple</li> <li>3. Ensure the connection between valve and thermocouple are tight and secure</li> <li>4. Check thermocouple with millivolt meter. Take reading at thermocouple terminals of gas valve with remote control off. It should read 18 millivolts minimum. Replace faulty thermocouple if reading is below specified minimum</li> </ol>
Pilot lit but no flame on burner	<ol style="list-style-type: none"> <li>1. Remote or wires defective</li> <li>2. Thermopile not generating sufficient millivoltage</li> <li>3. Plugged burner orifice</li> </ol>	<ol style="list-style-type: none"> <li>1. Check remote wires for proper connections. Place jumper wire across terminals at remote control. If burner comes on, replace remote. If okay, place jumper wire across remote control at valve. If burner comes on, wires are faulty or connections are bad</li> <li>2. Check thermopile with millivolt meter. Take reading at thermopile terminals of gas valve with remote control off. It should read 325 millivolts minimum. Replace thermopile if reading is below specified minimum</li> <li>3. Check burner orifice for stoppage and remove</li> </ol>
Frequent pilot outage	1. Pilot flame may be too low or blowing (high) causing safety pilot to "drop out"	1. Clean and/or adjust pilot flame for maximum flame impingement on thermocouple

For more information, visit [www.desatech.com](http://www.desatech.com)

**ILLUSTRATED PARTS  
BREAKDOWN****MODELS CD32M  
AND CD36M-A SERIES****For more information, visit [www.desatech.com](http://www.desatech.com)**



# PARTS LIST

## MODELS CD32M AND CD36M-A SERIES

KEY NO.	PART NUMBER		DESCRIPTION	QTY.	KEY NO.	PART NUMBER		DESCRIPTION	QTY.
	CD32M	CD36M-A				CD32M	CD36M-A		
1	**	**	Firebox Assembly	1	22	11102	11102	Screw #8-32 x 3/8 PPH Zinc	2
2	**	**	Face Weldment	1	23	11105	11105	Screw #10 x 1/2 Zinc	9
3	108892-01	108010-01	Door Assembly	1	24	11179	11179	Screw #10-24 x 1/4 Zinc	4
4	108903-01	108011-01	Top Panel Assy Louver	1	25	11237	11237	Screw Trilab M4 x 8mm	1
5	108903-02	108011-02	Bottom Panel Assy Louver	1	26	14389	14389	HI-LO Sit Valve (Nat Gas)	1
6	**	**	Fireplace Top	1	27	14492	14492	Piezo Ignitor	1
7	**	**	Fireplace Top Insulation	1	28	14500	14500	Brass Fitting	2
8	**	**	Fireplace Surround	1	29	14253	14253	Flexible Connector	1
9	108885-01	108074-01	Burner Assembly	1	30	14511	14511	Ignitor Bracket	1
10	108890-01	108076-01	Burner Base Gasket	1	31	14528	14528	Brass Elbow Fitting	1
11	108897-01	110991-01	Rear Refractory†	1	32	104506-25	14496	Orifice	1
12	108901-01	110990-01	Right Refractory†	1	33	104509-02	14576	Aluminum Tubing Assy	1
13	108901-02	110989-01	Left Refractory†	1	34	26808	26808	Valve Bracket	1
14	11418	11418	Push-On Nut	2	35	26827	26827	Switch Bracket	1
15	108440-01	12105	Screen	2	36	108886-01	108077-01	Grate Base	1
16	108455-02	13113	Screen Rod	1	37	108891-01	104504-03	Burner	1
17	**	**	Electrical Duct Assy	1	38	108084-02	108084-02	Pilot Assembly (Nat Gas)	1
18	**	**	Gas Knock-Out Cover	2	39	**	**	Burner Base Assembly	1
19	**	**	Gas Conduit Assy	1	40	109699-01	—	Right Face Extension	1
20	109082-03	109082-01	Heat Shield	1	41	109699-02	—	Left Face Extension	1
21	109022-01	109006-01	Log Set	1	42	109700-01	—	Top Face Extension	1
21-1	109403-01	110182-01	Front Log (Log 1)	1	<b>PARTS AVAILABLE NOT SHOWN</b>				
21-2	109404-01	109007-01	Rear Log (Log 2)	1					
21-3	109407-01	109009-01	Base Log (Log 3)	1					
21-4	109406-01	109008-01	Crossover Log (Log 4)	1					
21-5	109405-01	107348-01	Left Top Log (Log 5)	1					
21-6	109408-01	107347-01	Right Top Log (Log 6)	1					
					110251-01	110251-01	Micro Switch Assembly	1	
					27253	27253	Notice Label	1	
					109896-01	112033-01	Gas Conversion Kit	1	

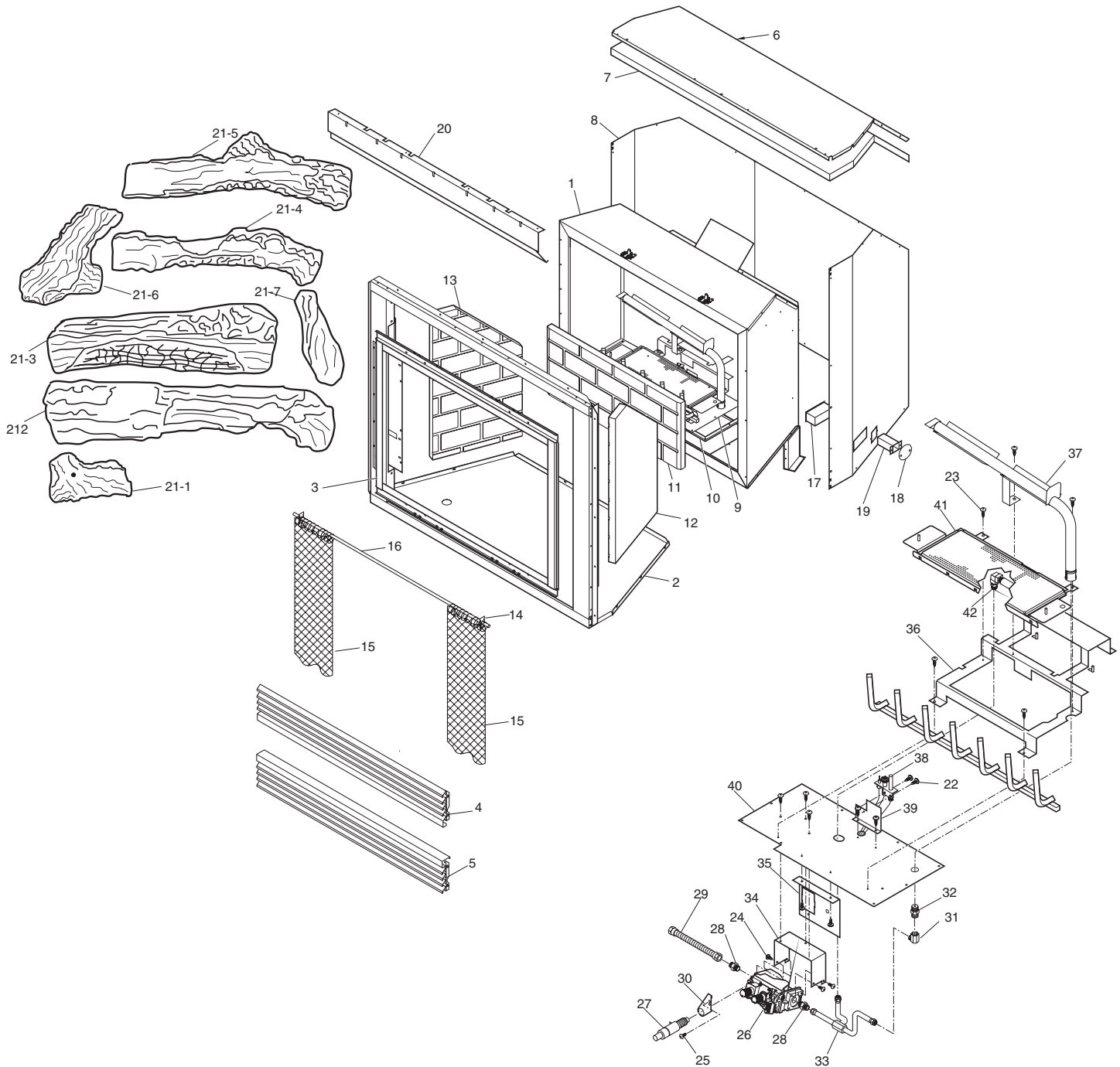
\*\* Not a field replaceable part.

† Optional - See page 21.

**For more information, visit [www.desatech.com](http://www.desatech.com)**

# ILLUSTRATED PARTS BREAKDOWN

MODEL CD42M-A



For more information, visit [www.desatech.com](http://www.desatech.com)

# PARTS LIST

## MODEL CD42M-A

KEY NO.	PART NUMBER	DESCRIPTION	QTY.	KEY NO.	PART NUMBER	DESCRIPTION	QTY.
1	**	Firebox Assembly	1	21-7	109401-02	Right Top Log (Log 7)	1
2	**	Face Weldment	1	22	11102	Screw #8-32 x 3/8 PPH Zinc	2
3	108328-01	Door Assembly	1	23	11105	Screw #10 x 1/2 Zinc	9
4	108331-01	Top Panel Assembly Louver	1	24	11179	Screw #10-24 x 1/4 Zinc	4
5	108331-03	Bottom Panel Assembly Louver	1	25	11237	Screw Trilab M4 x 8mm	1
6	**	Fireplace Top	1	26	14389	HI-LO Sit Valve (Natural Gas)	1
7	**	Fireplace Top Insulation	1	27	14492	Piezo Ignitor	1
8	**	Fireplace Surround	1	28	14500	Brass Fitting	2
9	108329-05	Burner Assembly	1	29	14253	Flexible Connector	1
10	108374-01	Burner Base Gasket	1	30	14511	Ignitor Bracket	1
11	111300-01	Rear Refractory†	1	31	14528	Brass Elbow Fitting	1
12	111301-01	Right Refractory†	1	32	104506-25	Orifice	1
13	111302-01	Left Refractory†	1	33	14544	Aluminum Tubing Assembly	1
14	11418	Push-On Nut	2	34	26808	Valve Bracket	1
15	107840-01	Screen	2	35	26827	Switch Bracket	1
16	108455-01	Screen Rod	1	36	108346-01	Grate Base	1
17	110037-01	Electrical Duct Assembly	1	37	108376-01	Burner	1
18	**	Gas Knock-Out Cover	2	38	108084-02	Pilot Assembly (Natural Gas)	1
19	**	Gas Conduit Assembly	1	39	108755-01	Pilot Bracket	1
20	**	Heat Shield	1	40	108373-01	Burner Base Assembly	1
21	108778-01	Log Set	1	41	108330-01	Burner Pan Assembly	1
21-1	109401-01	Small Base Log (Log 1)	1	42	104506-24	Orifice	1
21-2	109396-01	Front Log (Log 2)	1	<b>PARTS AVAILABLE NOT SHOWN</b>			
21-3	109397-01	Rear Log (Log 3)	1		25487	Lava Rock	1
21-4	109398-01	Crossover Log (Log 4)	1		110251-01	Micro Switch Assembly	1
21-5	109399-01	Top Log (Log 5)	1		27253	Notice Label	1
21-6	109400-01	Left Top Log (Log 6)	1		111007-01	Gas Conversion Kit	1

\*\* Not a field replaceable part.

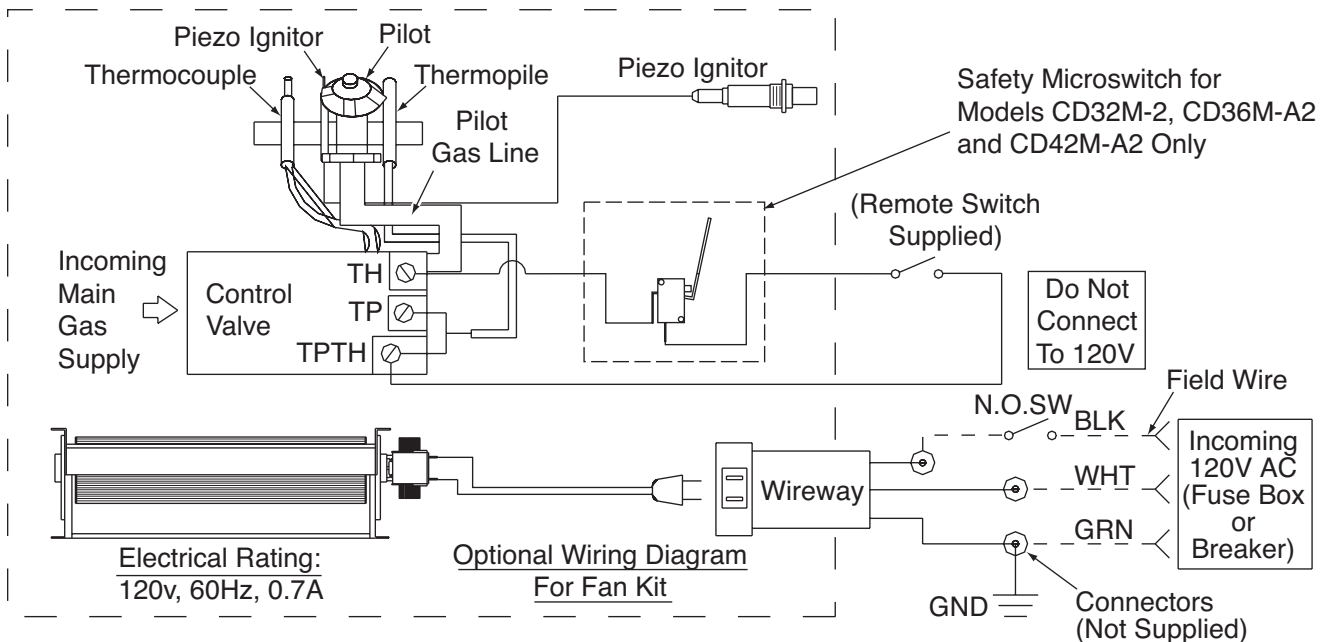
† Optional - See page 21.

**For more information, visit [www.desatech.com](http://www.desatech.com)**

## SPECIFICATIONS

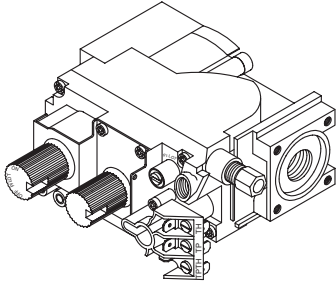
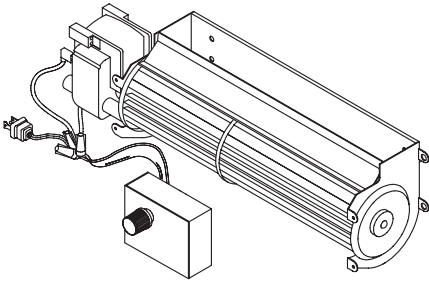
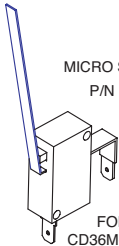
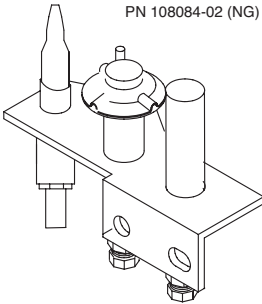
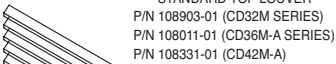
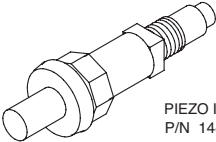
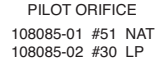
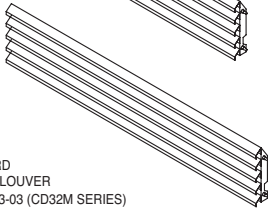
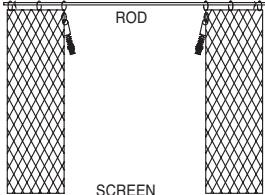
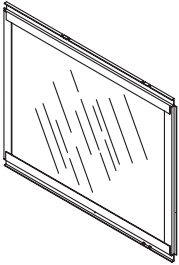

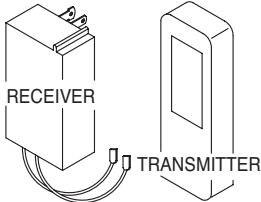
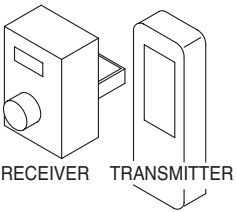
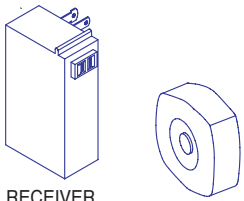
	CD32M	CD36M-A	CD42M-A
Gas Rate (Natural)	16,000/23,000 Btu/hr	15,000/22,000 Btu/hr	25,000/35,000 Btu/hr
Gas Rate (Propane/LP)	15,000/21,000 Btu/hr	14,000/20,000 Btu/hr	23,000/33,000 Btu/hr
Ignition	Piezo	Piezo	Piezo
Natural Gas Manifold Pressure	3.5" w.c.	3.5" w.c.	3.5" w.c.
Propane/LP Manifold Pressure	10" w.c.	10" w.c.	10" w.c.
Minimum Inlet Supply Pressure	4.5" w.c.	4.5" w.c.	4.5" w.c.

## WIRING DIAGRAM



For more information, visit [www.desatech.com](http://www.desatech.com)

# ACCESSORY AND REPLACEMENT PARTS

 <p>MILLIVOLT</p> <p>HI-LO VALVE P/N #14389</p>		 <p>REGULAR BLOWER KIT BK FOR MODELS CD32M, CD32M-2, CD36M-A, CD36M-A2 AND CD42M-A</p>	
 <p>MICRO SWITCH ASSEMBLY P/N 110251-01</p> <p>FOR MODELS CD32M-2, CD36M-A2, AND CD42M-A2 ONLY</p>	 <p>PILOT ASSY. PN 108084-02 (NG)</p>	 <p>STANDARD TOP LOUVER P/N 108903-01 (CD32M SERIES) P/N 108011-01 (CD36M-A SERIES) P/N 108331-01 (CD42M-A)</p>	
 <p>PIEZO IGNITOR P/N 14492</p>	 <p>PILOT ORIFICE 108085-01 #51 NAT 108085-02 #30 LP</p>	 <p>STANDARD BOTTOM LOUVER P/N 108903-03 (CD32M SERIES) P/N 108011-03 (CD36M-A SERIES) P/N 108331-03 (CD42M-A)</p>	
 <p>109479-01 (CD32M SERIES) 108719-01 (CD36M SERIES) 108455-01 (CD42M)</p> <p>ROD</p> <p>SCREEN</p> <p>108440-01 (CD32M SERIES) 12105 (CD36M-A SERIES) 107840-01 (CD42M-A)</p>	 <p>GLASS DOOR ASSEMBLY P/N 108892-01 (CD32M SERIES) P/N 110994-01 (CD36M-A SERIES) P/N 108328-01 (CD42M-A)</p>	<p>CD32M SERIES ORIFICE #47(NAT) P/N 104506-25 ORIFICE #55 (LP) P/N 14514</p>	<p>CD36M-A SERIES ORIFICE #43 (NAT) P/N 14496 ORIFICE #55 (LP) P/N 14514</p>
 <p>CD42M-A TUBE BURNER ORIFICE #47(NAT) P/N 104506-25 ORIFICE #56 (LP) P/N 104506-20</p> <p>PAN BURNER ORIFICE #46(NAT) P/N 104506-24 ORIFICE #56 (LP) P/N 104506-20</p>	<p>OPTIONAL REMOTE CONTROL KIT P/N 00825 (ELECTRONIC ONLY) (BATTERY REQUIRED FOR TRANSMITTER)</p>  <p>RECEIVER TRANSMITTER</p>		<p>STANDARD REMOTE CONTROL KIT P/N 14187 (MILLIVOLT ONLY) (BATTERIES REQUIRED FOR RECEIVER AND TRANSMITTER)</p>  <p>RECEIVER TRANSMITTER</p>
<p>REMOTE CONTROL KIT P/N 00710 (OPTIONAL) USED ON BLOWER ONLY</p>  <p>RECEIVER TRANSMITTER</p>			

For more information, visit [www.desatech.com](http://www.desatech.com)



2701 Industrial Drive  
P.O. Box 90004  
Bowling Green, KY 42102-9004  
[www.desatech.com](http://www.desatech.com)



111916 01

**NOT A UPC**

111916-01  
Rev. D  
05/04

**For more information, visit [www.desatech.com](http://www.desatech.com)**

## Free Manuals Download Website

<http://myh66.com>

<http://usermanuals.us>

<http://www.somanuals.com>

<http://www.4manuals.cc>

<http://www.manual-lib.com>

<http://www.404manual.com>

<http://www.luxmanual.com>

<http://aubethermostatmanual.com>

Golf course search by state

<http://golfingnear.com>

Email search by domain

<http://emailbydomain.com>

Auto manuals search

<http://auto.somanuals.com>

TV manuals search

<http://tv.somanuals.com>