

# DENON

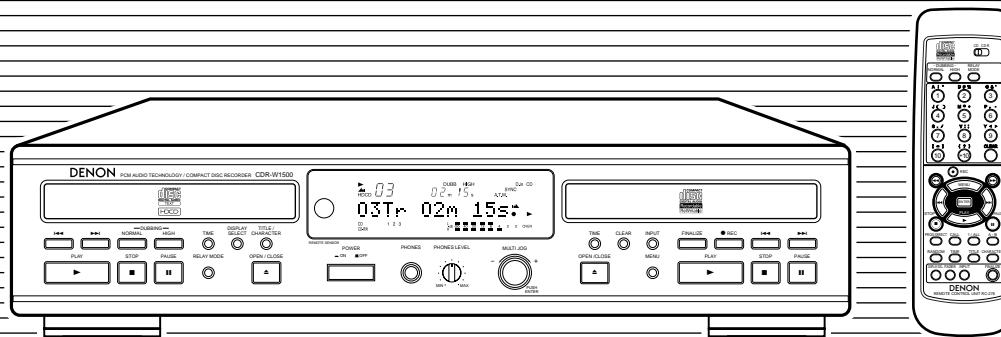
CD RECORDER

# CDR-W1500

OPERATING INSTRUCTIONS

MODE D'EMPLOI

INSTRUCCIONES DE OPERACION



FOR ENGLISH READERS	PAGE	5 ~ PAGE	35
POUR LES LECTEURS FRANCAIS	PAGE	36 ~ PAGE	66
PARA LECTORES DE ESPAÑOL	PAGINA	67 ~ PAGINA	97



**CAUTION**  
RISK OF ELECTRIC SHOCK  
DO NOT OPEN



**CAUTION: TO REDUCE THE RISK OF ELECTRIC SHOCK, DO NOT REMOVE COVER (OR BACK). NO USER SERVICEABLE PARTS INSIDE. REFER SERVICING TO QUALIFIED SERVICE PERSONNEL.**



The lightning flash with arrowhead symbol, within an equilateral triangle, is intended to alert the user to the presence of uninsulated "dangerous voltage" within the product's enclosure that may be of sufficient magnitude to constitute a risk of electric shock to persons.



The exclamation point within an equilateral triangle is intended to alert the user to the presence of important operating and maintenance (servicing) instructions in the literature accompanying the appliance.

**WARNING: TO REDUCE THE RISK OF FIRE OR ELECTRIC SHOCK, DO NOT EXPOSE THIS APPLIANCE TO RAIN OR MOISTURE.**

**LABELS** (for U.S.A. model only)

**CERTIFICATION**

THIS PRODUCT COMPLIES WITH DHHS RULES 21 CFR SUBCHAPTER J APPLICABLE AT DATE OF MANUFACTURE.

**CAUTION:**

USE OF CONTROLS OR ADJUSTMENTS OR PERFORMANCE OF PROCEDURES OTHER THAN THOSE SPECIFIED HEREIN MAY RESULT IN HAZARDOUS RADIATION EXPOSURE.

THE COMPACT DISC PLAYER SHOULD NOT BE ADJUSTED OR REPAIRED BY ANYONE EXCEPT PROPERLY QUALIFIED SERVICE PERSONNEL.

This device complies with Part 15 of the FCC Rules. Operation is subject to the following two conditions : (1) This device may not cause harmful interference, and (2) this device must accept any interference received, including interference that may cause undesired operation.

This Class B digital apparatus meets all requirements of the Canadian Interference-Causing Equipment Regulations.

Cet appareil numérique de la classe B respecte toutes les exigences du Règlement sur le matériel brouilleur du Canada.

• **FOR U.S.A. & CANADA MODEL ONLY**

**CAUTION**

TO PREVENT ELECTRIC SHOCK, MATCH WIDE BLADE OF PLUG TO WIDE SLOT, FULLY INSERT.

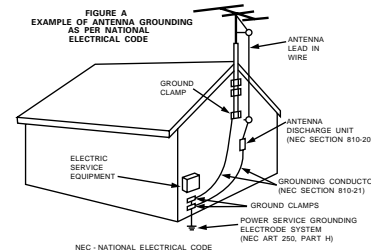
• **POUR LES MODELES AMERICAINS ET CANADIENS UNIQUEMENT**

**ATTENTION**

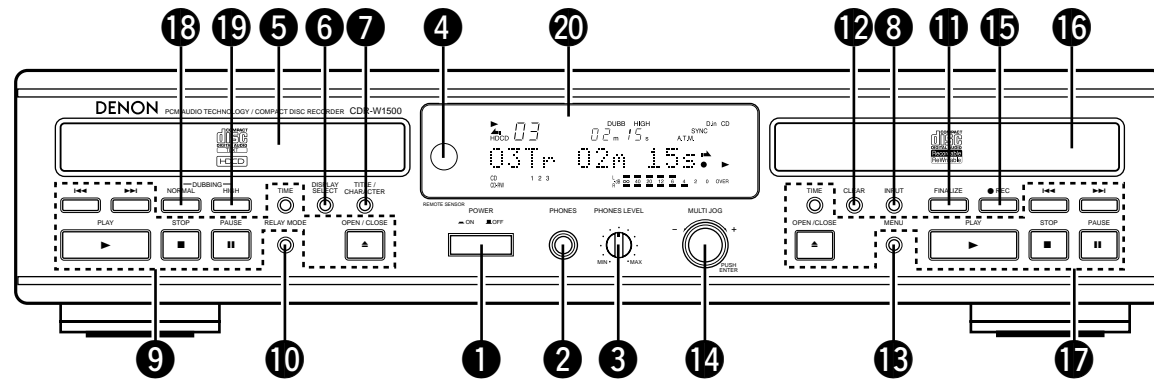
POUR ÉVITER LES CHOCS ÉLECTRIQUES, INTRODUIRE LA LAME LA PLUS LARGE DE LA FICHE DANS LA BORNE CORRESPONDANTE DE LA PRISE ET POUSSER JUSQU' AU FOND.

**SAFETY INSTRUCTIONS**

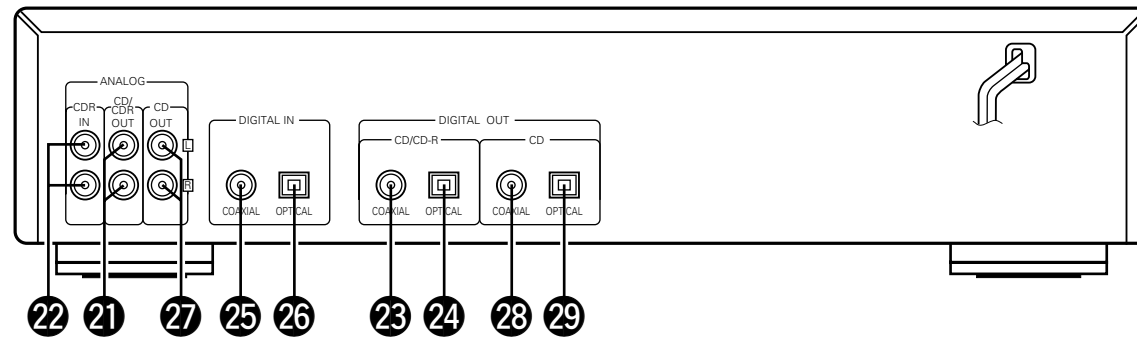
1. Read Instructions – All the safety and operating instructions should be read before the appliance is operated.
2. Retain Instructions – The safety and operating instructions should be retained for future reference.
3. Heed Warning – All warnings on the appliance and in the operating instructions should be adhered to.
4. Following Instructions – All operating and use instructions should be followed.
5. Water and Moisture – The appliance should not be used near water – for example, near a bathtub, washbowl, kitchen sink, laundry tub, in a wet basement, or near a swimming pool, and the like.
6. Carts and Stands – The appliance should be used only with a cart or stand that is recommended by the manufacturer.
- 6A. An appliance and cart combination should be moved with care. Quick stops, excessive force, and uneven surfaces may cause the appliance and cart combination to overturn.
7. Wall or Ceiling Mounting – The appliance should be mounted to a wall or ceiling only as recommended by the manufacturer.
8. Ventilation – The appliance should be situated so that its location or position does not interfere with its proper ventilation. For example, the appliance should not be situated on a bed, sofa, rug, or similar surface that may block the ventilation openings; or, placed in a built-in installation, such as a bookcase or cabinet that may impede the flow of air through the ventilation openings.
9. Heat – The appliance should be situated away from heat sources such as radiators, heat registers, stoves, or other appliances (including amplifiers) that produce heat.
10. Power Sources – The appliance should be connected to a power supply only of the type described in the operating instructions or as marked on the appliance.
11. Grounding or Polarization – Precautions should be taken so that the grounding or polarization means of an appliance is not defeated.
12. Power-Cord Protection – Power-supply cords should be routed so that they are not likely to be walked on or pinched by items placed upon or against them, paying particular attention to cords at plugs, convenience receptacles, and the point where they exit from the appliance.
14. Cleaning – The appliance should be cleaned only as recommended by the manufacturer.
15. Power Lines – An outdoor antenna should be located away from power lines.
16. Outdoor Antenna Grounding – If an outside antenna is connected to the receiver, be sure the antenna system is grounded so as to provide some protection against voltage surges and built-up static charges. Article 810 of the National Electrical Code, ANSI/NFPA 70, provides information with regard to proper grounding of the mast and supporting structure, grounding of the lead-in wire to an antenna-discharge unit, size of grounding conductors, location of antenna-discharge unit, connection to grounding electrodes, and requirements for the grounding electrode. See Figure A.
17. Nonuse Periods – The power cord of the appliance should be unplugged from the outlet when left unused for a long period of time.
18. Object and Liquid Entry – Care should be taken so that objects do not fall and liquids are not spilled into the enclosure through openings.
19. Damage Requiring Service – The appliance should be serviced by qualified service personnel when:
  - A. The power-supply cord or the plug has been damaged; or
  - B. Objects have fallen, or liquid has been spilled into the appliance; or
  - C. The appliance has been exposed to rain; or
  - D. The appliance does not appear to operate normally or exhibits a marked change in performance; or
  - E. The appliance has been dropped, or the enclosure damaged.
20. Servicing – The user should not attempt to service the appliance beyond that described in the operating instructions. All other servicing should be referred to qualified service personnel.



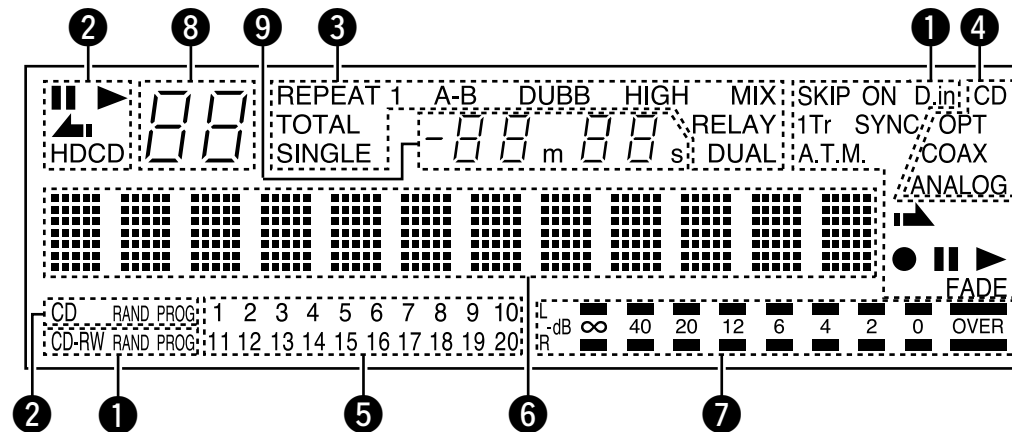
FRONT PANEL  
PANNEAU AVANT  
PANEL FRONTAL











REAR PANEL  
PANNEAU ARRIERE  
PANEL TRASERO



DISPLAY  
AFFICHAGE  
VISUALIZADOR



**NOTE ON USE / OBSERVATIONS RELATIVES A L'UTILISATION / NOTAS SOBRE EL USO**

 <ul style="list-style-type: none"> <li>• Avoid high temperatures. Allow for sufficient heat dispersion when installed on a rack.</li> <li>• Éviter des températures élevées. Tenir compte d'une dispersion de chaleur suffisante lors de l'installation sur une étagère.</li> <li>• Evite altas temperaturas. Permite la suficiente dispersión del calor cuando está instalado en la consola.</li> </ul>	 <ul style="list-style-type: none"> <li>• Keep the set free from moisture, water, and dust.</li> <li>• Protéger l'appareil contre l'humidité, l'eau et la poussière.</li> <li>• Mantenga el equipo libre de humedad, agua y polvo.</li> </ul>	 <ul style="list-style-type: none"> <li>• Do not let foreign objects in the set.</li> <li>• Ne pas laisser des objets étrangers dans l'appareil.</li> <li>• No deje objetos extraños dentro del equipo.</li> </ul>
 <ul style="list-style-type: none"> <li>• Handle the power cord carefully. Hold the plug when unplugging the cord.</li> <li>• Manipuler le cordon d'alimentation avec précaution. Tenir la prise lors du débranchement du cordon.</li> <li>• Maneje el cordón de energía con cuidado. Sostenga el enchufe cuando desconecte el cordón de energía.</li> </ul>	 <ul style="list-style-type: none"> <li>• Unplug the power cord when not using the set for long periods of time.</li> <li>• Débrancher le cordon d'alimentation lorsque l'appareil n'est pas utilisé pendant de longues périodes.</li> <li>• Desconecte el cordón de energía cuando no utilice el equipo por mucho tiempo.</li> </ul>	 <ul style="list-style-type: none"> <li>• Do not let insecticides, benzene, and thinner come in contact with the set.</li> <li>• Ne pas mettre en contact des insecticides, du benzène et un diluant avec l'appareil.</li> <li>• No permita el contacto de insecticidas, gasolina y diluyentes con el equipo.</li> </ul>
<ul style="list-style-type: none"> <li>• Handle the power cord carefully. Hold the plug when unplugging the cord.</li> <li>• Manipuler le cordon d'alimentation avec précaution. Tenir la prise lors du débranchement du cordon.</li> <li>• Maneje el cordón de energía con cuidado. Sostenga el enchufe cuando desconecte el cordón de energía.</li> </ul>	 <p>* (For sets with ventilation holes)</p> <ul style="list-style-type: none"> <li>• Do not obstruct the ventilation holes.</li> <li>• Ne pas obstruer les trous d'aération.</li> <li>• No obstruya los orificios de ventilación.</li> </ul>	 <ul style="list-style-type: none"> <li>• Never disassemble or modify the set in any way.</li> <li>• Ne jamais démonter ou modifier l'appareil d'une manière ou d'une autre.</li> <li>• Nunca desarme o modifique el equipo de ninguna manera.</li> </ul>



**IMPORTANT TO SAFETY**

**WARNING:**  
**TO PREVENT FIRE OR SHOCK HAZARD, DO NOT EXPOSE THIS APPLIANCE TO RAIN OR MOISTURE.**

**CAUTION:**

**1. Handle the power supply cord carefully**

Do not damage or deform the power supply cord. If it is damaged or deformed, it may cause electric shock or malfunction when used. When removing from wall outlet, be sure to remove by holding the plug attachment and not by pulling the cord.

**2. Do not open the top cover**

In order to prevent electric shock, do not open the top cover. If problems occur, contact your DENON DEALER.

**3. Do not place anything inside**

Do not place metal objects or spill liquid inside the CD recorder. Electric shock or malfunction may result.

Please, record and retain the Model name and serial number of your set shown on the rating label.

Model No. CDR-W1500 Serial No. \_\_\_\_\_

Thank you for purchasing this DENON CD recorder. Please read the operating instructions thoroughly in order to acquaint yourself with the CD recorder and achieve maximum satisfaction from it.

Be sure to keep this manual for future reference, should any questions or problems arise.

**Please check to make sure the following items are included with the main unit in the carton:**

- (1) Main unit .....1
- (2) Remote control unit RC-278 .....1
- (3) R6P/AA Dry cell battery .....2
- (4) Connection cord .....2
- (5) Operating instructions.....1
- (6) Service station list .....1

**TABLE OF CONTENTS**

- 1** FEATURES .....5
- 2** CAUTIONS DURING USE .....5
- 3** ABOUT CD-R/RW DISCS .....5, 6
- 4** DISC HANDLING AND PRECAUTIONS .....6, 7
- 5** RESTRICTIONS RELATED TO THE CD-R/RW STANDARDS .....7
- 6** CONNECTIONS .....7
- 7** PART NAMES AND FUNCTIONS .....8, 9
- 8** REMOTE CONTROL UNIT .....9, 10
- 9** SETUP METHOD .....10 ~ 13
- 10** COPYING PROCEDURE .....13 ~ 15
- 11** RECORDING FROM EXTERNAL DEVICES .....15 ~ 19
- 12** NORMAL PLAYBACK .....19
- 13** VARIOUS PLAYBACK FUNCTIONS .....20 ~ 24
- 14** RELAY MODE .....24 ~ 27
- 15** FINALIZING CD-R/RW DISC .....27
- 16** EDITING .....28 ~ 33
- 17** MENU MODE .....33
- 18** MESSAGES .....34
- 19** TROUBLESHOOTING .....35
- 20** MAIN SPECIFICATIONS .....35

**NOTE:**

This CD recorder uses the semiconductor laser. To allow you to enjoy music at a stable operation, it is recommended to use this in a room of 10 °C (50 °F) ~ 30 °C (86 °F).

**• Place of installation**

To ensure sufficient ventilation, leave a space of at least 10 cm between the front, sides and back of the unit and walls or other objects which may obstruct ventilation.

**1 FEATURES**

**1. Various copying functions**

- This set is equipped with a number of convenient copying modes: "Disc dubbing" for copying entire discs, "Make CD dubbing" for copying an entire disc then automatically finalizing, "1-track dubbing" for copying single tracks, and "Scan record dubbing" for selecting the tracks you want to record while scanning CDs and copying the selected tracks.
- One of two copying speeds can be selected: normal speed and double speed.

**2. Recording from external devices**

- This set is equipped with three convenient synchronized recording functions: "Disc synchro recording" for recording an album on the source side, "Make CD recording" for automatically finalizing after synchronized recording of a disc, and "Track synchro recording" for recording track at a time. It is also possible to record manually.

**3. An abundance of playback functions**

- Thanks to the combination of the CD and CD-R units, this set is equipped with three different play modes: "Relay play" for relay playback between the disc in the CD unit and the disc in the CD-R unit, "Mix play" for programmed or random playback of the disc in the CD unit and the disc in the CD-R unit as if they were a single disc, and "Dual play" with which the CD and CD-R units can be operated independently.
- This set is equipped with the programmed play, random play, and all-track, 1-track and A-B repeat play modes.

**4. Rich Variety of Digital Input Jacks**

- In addition to the analog input jacks, this unit is equipped with a total of two digital input jacks. There is one optical digital input jack for use with digital sources such as CD, MD and satellite broadcasts, and there is one digital coaxial input jack.

**5. Equipped with Sampling Rate Converter**

- This converter permits direct digital input recording from DAT or satellite broadcasts (32 kHz, 48 kHz) which have sampling frequencies that differ from that of the 44.1 kHz used with CD.

**6. Text Entry and Display Function**

- The album title and the track title for individual tracks can be entered and displayed for recorded CD-R/RW discs.

**7. Equipped with **HDCD**®, **HDCD**® (High Definition Compatible Digital)® decoder (CD unit)**

**HDCD**®, **HDCD**®, High Definition Compatible Digital® and Pacific Microsonics™ are either registered trademarks or trademarks of Pacific Microsonics, Inc. in the United States and/or other countries. HDCD system manufactured under license from Pacific Microsonics, Inc. This product is covered by one or more of the following: In the USA: 5,479,168, 5,638,074, 5,640,161, 5,808,574, 5,838,274, 5,854,600, 5,864,311, 5,872,531, and in Australia: 669114. Other patents pending.

**2 CAUTIONS DURING USE**

- During track selection, during search and when the recorder sustains a strong impact, the disc's rotational speed changes greatly, causing a small noise to be emitted. This is not a malfunction of the recorder.
- If the CD recorder is operated while an FM or AM broadcast is being received, there may be noise in the FM or AM reception. Please switch the power to the CD recorder off at such times.
- The CDR-W1500 has a broad dynamic range. Please exercise caution when turning up the volume on the amplifier in cases when the playback volume is low. If the volume is turned up too high, it could damage the speakers.
- Placing this recorder or its connection cords near a TV or other audio device could cause a humming sound to be emitted. If this occurs, relocate the recorder or reroute the connection cords.
- Be sure to remove the disc from the recorder before moving it. The disc could be damaged if left in the recorder while it is being moved.
- Do not place any object in the tray in the position where the disc is loaded, or open and close the tray with anything inside. Foreign objects in the tray could damage the play mechanism.
- Do not move the recorder from a cold place to a warm place suddenly. If the recorder is cold when brought into a warm room, condensation could form, preventing proper operation of the recorder. If condensation does form on the recorder when it is brought into a warm room, wait at least 30 minutes before use.

**CD Discs**

This unit uses CDs (optical digital audio discs) which bear the mark located at the right. Note that specially shaped CDs, for example, heart shaped or hexagonal cannot be played. Do not attempt to use such CDs since doing so may cause breakdown of this unit.



**CD Text Discs**

This unit can display text information on the display when playing CD text discs which contain text information in English category. The CD text disc includes the mark shown at the right.



**NOTE:**

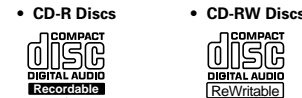
- This unit can provide a text display of the following types of characters. Other types of characters will result in "-" being displayed.
  - Alphabet  
 ABCDEFGHIJKLMNOPQRSTUVWXYZ  
 abcdefghijklmnopqrstuvwxyz
  - Numbers  
 0123456789
  - Symbols  
 !"#%&'()\*+,-./:;<=>  
 ?@[]\_`~{|}~ SPACE

**3 ABOUT CD-R/RW DISCS**

**Discs that Can Be Used with this Unit**

**CD-R Discs and CD-RW Discs**

Be sure to use discs that bear either of the following marks when recording with this unit.



and an indication such as "FOR CONSUMER", "FOR CONSUMER USE" or "FOR MUSIC USE ONLY".

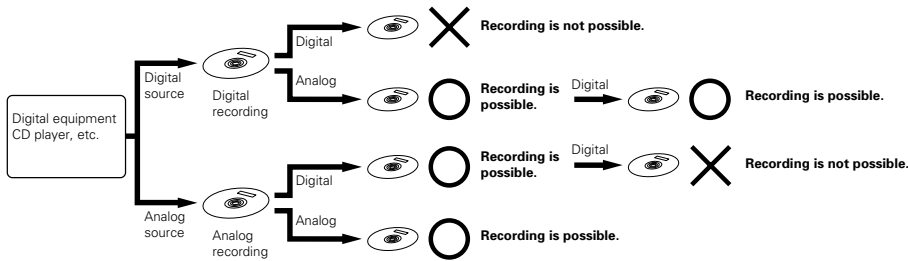
\* Recording will not be possible with discs that do not bear the aforementioned marks.

**Methods of Recording to Disc**

- **CD-R Discs**
  - CD-R discs incorporate a pigment layer for recording. When exposed to the recording laser, a change in form occurs at the boundary of this layer and the plastic layer resulting in the recording of the signal. The recorded information is maintained until the end of the life of the disc.
  - After recording, finalized discs can be played on ordinary CD players.
- **CD-RW Discs**
  - CD-RW discs incorporate a phase change layer. The recording process causes this layer to change from a crystal (reflective) condition to an amorphous (non-crystal) condition.
  - Recorded information can be erased from CD-RW discs. Deletion can take the form of deleting all of the disc tracks or only the specified tracks working back from the last track of the disc.
  - Finalized CD-RW discs can be played on CD players designed for use with CD-RW discs as well as on CD recorders.

**Digital Copies**

A CD-R/RW disc onto which has been recorded using the digital input cannot be further digitally recorded (i.e., copied) onto a separate CD-R/RW disc or MD, etc.. This is a standard established by the SCMS (Serial Copy Management System).



**Track Numbers: Auto Track Function**

★ Recording in the Synchro-recording mode (e.g., disc Synchro-recording, track Synchro-recording, and auto finalization recording) results in the track numbers being automatically associated. The manner in which the track numbers are associated will differ as follows for digital recording and for analog recording depending on the conditions.

**■ Recording from a digital input**

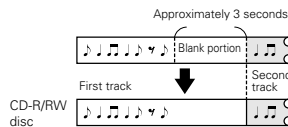
- When performing digital recording of a CD, track numbers are updated when the first sound is detected after the track switches.
- When making a digital recording from a MD, a track number that is the same as the original track number will automatically be associated.
- When recording from a DAT, track numbers are given when track switching is detected using the start IDs.
- When recording from a satellite broadcasts or other digital equipment, the detection of a blank portion of about 3 seconds or longer, the same as when making recordings with an analog input, will result in the operation of the auto track function and the automatic association of the track number.
  - The track number might not switch correctly when there is a lot of noise in the blank portion between tracks.
  - The track number might change when the signal level is very low within the track.

**■ Recording from an analog input**

Track numbers will automatically be associated when a blank portion of about 3 seconds or longer is detected.

- When the input signal is affected by noise or there is some other interference, the track number might not change at the correct position.
- The track number might change when the signal level is very low within the track.

\* The on/off setting of the auto track function is possible in manual recording. (See "Setting of the Auto Track Mark" on Page 11.)

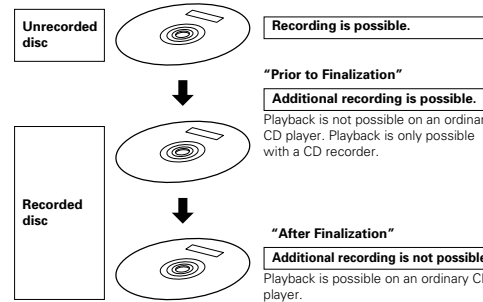


**NOTES:**

- When recording an analog source that contains a very low level signal within the track, or a digital source other than CD/MD/DAT, switch off the auto track function then make a manual recording and associate the track numbers manually.
- When the recording level is set too low while recording an analog source or a digital source other than CD/MD/DAT, the track numbers might not be associated at the correct position. Please set a suitable recording level.

**Finalization Processing of CD-R Discs**

After the recording of a CD-R disc is completed, finalization processing is required to enable it to be played on an ordinary CD player.



**NOTES:**

- Once a CD-R disc has been finalized, additional recording will no longer be possible.
- The information that has been recorded to a CD-R disc cannot be erased.

**Finalization Processing of CD-RW Discs**

CD-RW discs cannot be played on an ordinary CD player, even with finalization processing. Playback is possible only on CD recorders or players suited for use with CD-RW discs. They can only be played on a player that is suited for use with CD-RW discs. Also note that CD-RW discs can be erased after being finalized.

**4 DISC HANDLING AND PRECAUTIONS**

**Disc Handling**

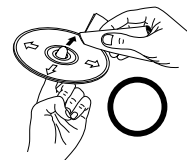
Avoid touching the surface of the disc when inserting or removing it.

Be careful not to get fingerprints on the signal recording surface.

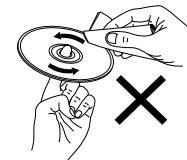


**Disc Cleaning**

- When the disc has become marked with fingerprints or dirt, wipe it clean before use. The dirt will not affect the signal of the disc, but the sound quality may drop and there may be breaks in the sound. Note that when the surface of a CD-R/RW disc is dirty, it may not record properly.
- To wipe the disc clean, use one of the disc cleaning sets available on the market or a soft cloth.



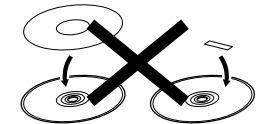
Lightly wipe in the direction from centre to outside.



Do not wipe in a circular manner.

**NOTES:**

- Do not attach commercially available disc labels or other seals on the disc. Doing so may make it impossible to record or play the disc properly.



- Do not use record spray or static electricity prevention products. Do not use benzene, thinner, or other volatile chemicals.



**Handling Precautions**

- Do not allow fingerprints, oil, or dirt to adhere.
- Be careful not to scratch the surface, especially when removing or returning the disc to the case.
- Do not bend the disc.
- Do not heat the disc.
- Do not enlarge the center hole.
- Do not write on the label surface (i.e., printed side) with a ballpoint pen or pencil.
- Water droplets may form on the surface of the disc when it is suddenly brought from a cold place such as outdoors to a warm place. If this happens, do not dry the disc with a hair dryer.

**Storage Precautions**

- Be sure to eject the disc after playing.
- Always return the disc to its case to avoid dust, scratches, and misshaping.
- Do not leave the disc in the following places:
  1. Where it will be exposed to direct sunlight for long periods.
  2. Where there is a lot of dampness and dust.
  3. Where it will be exposed to heat such as from a heater.

**Precautions When Loading Discs**

- Only load one disc. Loading two or more discs in a layer will cause breakdown and may also scratch the discs.
- Discs of the 8 cm size should be carefully aligned with the recessed disc guide area and loaded without the use of an adapter. If not properly loaded, the disc may fall out or the disc holder may cease to open.
- Be careful not to get your finger caught when the disc holder is closing.
- Do not place anything other than a disc on the disc tray.
- Do not use discs that are cracked, misshapen, or have been repaired with an adhesive, etc.
- Do not use discs that have adhesive coming out from cellophane tape or the label of a rental disc, or adhesive remaining after removal of the label. Use of a disc in this condition may result in the disc not being ejected or in breakdown.

**5 RESTRICTIONS RELATED TO THE CD-R/RW STANDARDS**

★ Standards concerned with CD recorder playback have been established based on the existing standards of CD players; however, for recording, the method differs from that used with existing cassette decks and MD recorders, etc. In view of this, please gain a good understanding of the following restrictions associated with CD-R/RW discs and enjoy the medium.

**Restrictions of Audio CD-R/RW Discs**

- Only audio CD-R/RW discs can be recorded with this unit. "Use Audio CD" will be displayed when a disc other than one for use with audio such as a CD-R/RW disc for use with a personal computer or another type of disc is loaded. (See "Discs that Can Be Used with this Unit" on Page 5.)
- CD-R discs can be recorded to only once. The recorded information cannot be erased.
- The recorded information of CD-RW discs can be erased. When this disc has been finalized, erase after the finalization removal operation has been performed. (See "Cancellation of CD-RW disc finalizing" on Page 28.)
- Recording mistakes made with CD-R discs cannot be erased; therefore, it is recommended that a CD-RW disc be used until you are accustomed to the recording operation.

**Restrictions in Recording with this Unit**

- The recording operation procedure is the same for CD-R discs and CD-RW discs.
- When making additional recording to a previously recorded disc, the end of the last track is detected and recording is started from there.
- The record standby mode cannot be set for CD-R/RW discs with a recordable time of about 8 seconds or less remaining. "Disc Full" will be displayed at this time.
- A maximum of 99 tracks can be recorded to one CD-R/RW disc. When the recording reaches the 99th track, "Disc Full" is displayed and recordings beyond this track will not be possible.
- Digital recording is not possible from CD-R/RW discs onto which have been digitally recorded, normal is it possible from MD or DAT, etc. When a digital recording is attempted from such sources, "Copy Prohibit" is displayed. To record from these digital sources, make the recording from the analog input. (See "Digital Copies" on Page 6.)
- This unit cannot record CD-ROM and other non-audio signal sources. When an attempt is made to record from such sources, "Copy Prohibit" is displayed.
- When a recording is made from a disc that includes data other than audio signals such as CD graphics or CD-TEXT, only the audio signal is recorded; other data is not recorded.
- DVD (Dolby Digital, DTS, and other compressed audio signals) cannot be recorded.

**Compatibility with Other CD Players and Discs**

- Finalization processing on a CD-R disc that has been recorded with this unit will permit that disc to be played on ordinary CD player. (See "Finalizing CD-R/RW Disc" on Page 27.)
- Finalization processing on a CD-RW disc that has been recorded with this unit will permit that disc to be played only on a CD player designed to be used with CD-RW discs or on another CD recorder. (See "Finalization Processing of CD-RW Discs" on Page 6.)

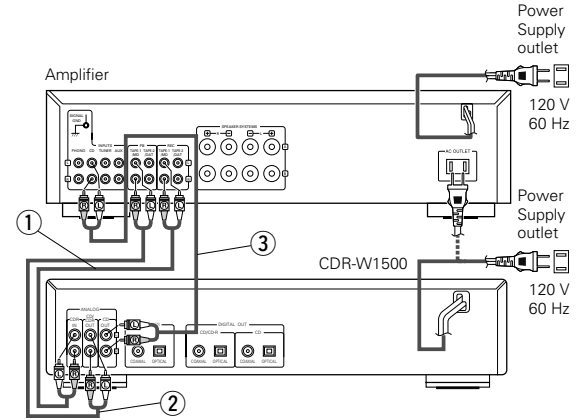
**NOTES:**

- To assure accurate recording, record with an ambient temperature of 30 °C or less.
- Do not obstruct the ventilation holes on the top.
- Recording may stop if the unit is subject to shocks during recording. If recording stops, it may no longer be possible to use the disc normally.

**6 CONNECTIONS**

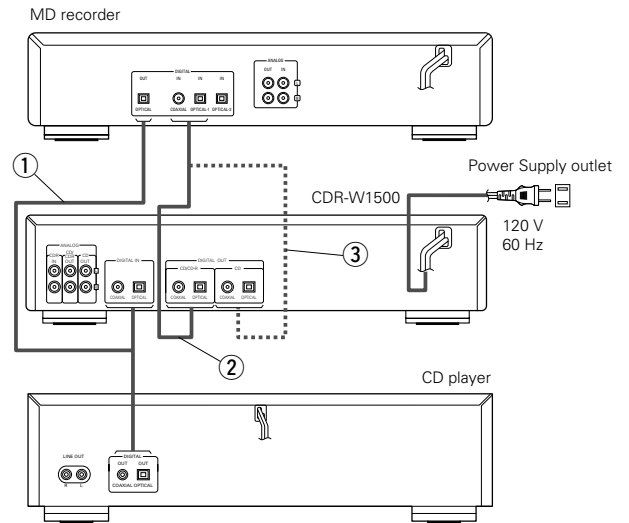
**(1) Analog Input/Output Jack Connections**

- Use the supplied pin plug cable when making connections with the analog input/output jacks.
- ① **Input:**  
Connect the analog input jacks (ANALOG IN) of this unit with the output jacks of the amplifier (MD or TAPE).
- ② **Output:**  
Connect the analog output jacks (ANALOG OUT) of this unit with the input jacks of the amplifier (MD or TAPE).
- ③ **CD-only output:**  
Only the CD side sound is output. Connect to the amplifier's input jacks (CD, etc.).  
\* In the dual mode, only the sound of the CD-R side is output from the CD/CD-R output jacks, so this connection is required.



**(2) Connection of Digital Input/Output Jacks**

- Please use optical fiber cables, which is available on the market, when making connections to the digital (OPTICAL) input/output jacks. Use 75Ω/ohms pin plug cable, which is available on the market, when making connections to the digital (COAXIAL) input/output jacks.
- ① **Input:**  
**Connections with Playback Equipment such as the CD Players**  
The digital input jacks of this unit (either DIGITAL IN OPTICAL or DIGITAL IN COAXIAL) should be connected with the digital output jacks of the CD player (OPTICAL or COAXIAL).
- ② **Output:**  
**Connections with Equipment having a Digital Input such as the MD Recorder**  
The digital output jacks of this unit (either DIGITAL OUT OPTICAL or DIGITAL OUT COAXIAL) should be connected with the digital input jacks of the MD recorder or other equipment (OPTICAL or COAXIAL).
- ③ **CD-only output:**  
Only the CD side sound is output. Connect to the digital input jacks of an MD recorder, etc.



**NOTES:**

- Do not plug the power plug into the power outlet until all connections have been completed.
- Connect the red plug of the pin plug cable into the R (right) jack and the white plug into the L (left) jack.
- Do not make a connection to the PHONO jack of the amplifier. Doing so will lead to breakdown.
- Firmly plug in the power plug. An imperfect connection will cause noise to be generated.
- Bundling the connection cables together with the power cable will cause hum or other noise.
- When the power plug is disconnected from the power outlet, wait about 5 seconds before reinserting.

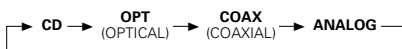
## 7 PART NAMES AND FUNCTIONS

### Front Panel

- 1 **Power button**
  - Turns the CD recorder ON and OFF.
- 2 **Phones jack (PHONES)**
  - Jack for headphones.
- 3 **Phones level control (PHONES LEVEL)**
  - Adjust the headphone volume.
- 4 **Remote control sensor (REMOTE SENSOR)**
  - Receives signals from the remote control.
- 5 **Disc tray (CD)**
  - Store-bought CDs and finalized CD-R/RW discs can be played.
- 6 **Display select button (DISPLAY SELECT)**
  - The display switches each time the button is pressed.



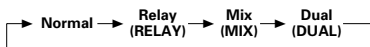
- 7 **Title/Character button (TITLE/CHARACTER)**
  - When pressed while the display mode is set to CD or CD-R, the text information is displayed.
  - When text is being input, the characters change.
- 8 **Input button (INPUT)**
  - Selects input source.
  - Switching will be as follows each time the button is pressed.



\* Switching is not permitted during recording.

- 9 **CD unit operating buttons**
  - ▶ : Use this to start playback.
  - : Use this to stop playback.
  - || : Use this to pause playback.
  - ⏮, ⏭ : Use this to move to the beginning of tracks.
  - ▲ : Use this to open and close the disc holder.
  - TIME : Use this to switch between the elapsed time, remaining track time and total remaining time.

- 10 **Relay mode button (RELAY MODE)**
  - The mode switches each time the button is pressed.



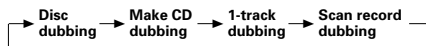
- 11 **Finalize button (FINALIZE)**
  - Press this button to finalize.
- 12 **Clear button (CLEAR)**
  - Use this to delete programmed tracks or text input characters.
  - When pressed in the menu mode, the set returns to the previous mode.

- 13 **Menu button (MENU)**
  - This button is used when inputting disc and track titles and for such editing operations as CD-RW Disc erasing.
- 14 **Multi Jog dial (MULTI JOG)**
  - Recording level control (Recording).
  - Selects settings (Menu mode).
- 15 **Record button (● REC)**
  - Press this button to record.
  - The recording standby mode is set when the record button (● REC) is pressed alone.
  - Press the play button (▶ PLAY) while in the recording standby mode to start recording.
  - To stop recording or to cancel the recording standby mode, press the stop button (■ STOP).

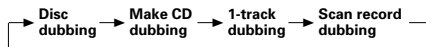
- 16 **Disc tray (CD-R)**
- 17 **CD-R operating buttons**
  - ▶ : Use this to start playback or recording.
  - : Use this to stop playback or recording.
  - || : Use this to pause playback or recording.
  - ⏮, ⏭ : Use this to move to the beginning of tracks.
  - ▲ : Use this to open and close the disc holder.
  - \* If the text information input operation has performed but not finalized, the disc holder cannot be opened until all the test information has been deleted. (See Page 10.)

TIME : During playback, use this to switch between the elapsed time, remaining track time and total remaining time. During recording, use this to switch between the elapsed time per track and the total remaining recording time.

- 18 **Normal speed copy mode button (DUBBING NORMAL)**
  - The copy dubbing mode switches each time this button is pressed.



- 19 **Double-speed copy mode button (DUBBING HIGH)**
  - The double-speed dubbing mode switches each time this button is pressed.



- 20 **Display**
  - Information screen.

### Rear Panel

- 21 **Analog CD/CD-R output jacks (ANALOG OUT CD/CD-R)**
  - Connects to the line input of an amplifier (left and right).
  - In the dual mode, only the CD-R side sound is output.
- 22 **Analog input jacks (ANALOG IN CD-R)**
  - Connects to the line output of an amplifier (left and right).
- 23 **Digital CD/CD-R output jack (DIGITAL OUT CD/CD-R COAXIAL)**
  - Connects to the digital coaxial input of e.g. amplifier or recording device.
  - In the dual mode, only the CD-R side digital data is output.
- 24 **Digital CD/CD-R output jack (DIGITAL OUT CD/CD-R OPTICAL)**
  - Connects to the digital coaxial input of e.g. amplifier or recording device.
  - In the dual mode, only the CD-R side digital data is output.
- 25 **Digital input jack (DIGITAL IN COAXIAL)**
  - Connects to the digital coaxial output of an external digital sources.
- 26 **Digital input jack (DIGITAL IN OPTICAL)**
  - Connects to the digital optical output of an external digital source.
- 27 **Analog CD-only output jacks (ANALOG OUT CD)**
  - In all modes, only the CD side sound is output.
- 28 **Digital CD-only output jack (DIGITAL OUT COAXIAL)**
  - In all modes, only the CD side digital data is output.
- 29 **Digital CD-only output jack (DIGITAL OUT OPTICAL)**
  - In all modes, only the CD side digital data is output.

### Display indications

- 1 **Mode display (CD-R)**
  - **CD:**  
CD (a pre-recorded CD or finalized CD-R or CD-RW disc) is loaded.
  - **CD-R:**  
An unfinalized CD-R disc is loaded.
  - **CD-RW:**  
An unfinalized CD-RW disc is loaded.
  - **●:**  
Lights during recording.
  - **▶:**  
Lights during play/recording.
  - **||:**  
Pause function active.
  - **PROG:**  
Lights in program mode.
  - **1 Tr, SYNC:**  
Synchronized recording active.

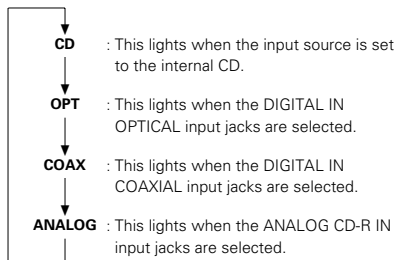
- **RAND:**  
Plays tracks in random order.
- **A.T.M.:**  
Auto track mark indicator.
- **D.in:**  
This indicator lights when one of the digital inputs (digital) is selected.  
If this flashes after performing the recording operation, check the connections of the digital input jacks.
- **FADE:**  
This flashes during the fade-in and fade-out recording operation.
- **■ :**  
This lights when the CD-R unit's time is displayed.
- **SKIP:**  
This lights when a track is set to be skipped.
- **ON:**  
This lights when the skip play mode is turned on.

- 2 **Mode display (CD)**
  - **CD:**  
This lights when a disc is loaded.
  - **RAND:**  
Random indicator.
  - **PROG:**  
Program indicator.
  - **||:**  
Pause indicator.
  - **▶:**  
Play indicator.
  - **■ :**  
This lights when the CD unit's time is displayed.
  - **HDCD:**  
This lights when playing discs recorded in HDCD format.

- 3 **Shared mode displays**
  - **REPEAT, 1:**  
Lights up when a track/complete disc (or program) is repeated.  
\* Off when both the CD and CD-R units' times are displayed.
  - **REPEAT A-B:**  
This lights when in the A-B repeat play mode.  
\* Off when both the CD and CD-R units' times are displayed.
  - **SINGLE, TOTAL:**  
Time mode indicator.  
\* Off when both the CD and CD-R units' times are displayed.
  - **DUBB:**  
This lights when in the normal speed dubbing mode.
  - **DUBB HIGH:**  
This lights when in the double-speed dubbing (copying) mode.
  - **MIX:**  
This lights when in the mixed (CD and CD-R units) mode.
  - **RELAY:**  
This lights when in the relay play mode between the CD and CD-R units.
  - **DUAL:**  
This lights when in the CD and CD-R unit dual mode.

**4 Input source display**

- Each press of the input switching button (INPUT) causes the indicators to light as described below.



**5 Music calendar display**

- Tracks on a disc or in a program.
- Track in play/recording.
- \* Off when both the CD and CD-R times are displayed.

**6 Multiple display**

- This display indicates the number of tracks, track number, play time, recording time, various operational information, text messages, etc.
- When both the CD and CD-R times are displayed, the CD-R time is displayed.

**7 Level meter**

- Record level bar, indicates the audio signal level.
- When the CD-R unit is set to the recording mode, the input level is displayed.

**8 Track No. display**

- When there is text information, the track number is displayed.
- When both the CD and CD-R times are displayed, the CD track number is displayed.

**9 Time display**

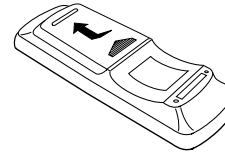
- When there is text information, the time is displayed.
- When both the CD and CD-R times are displayed, the CD time is displayed.

**8 REMOTE CONTROL UNIT**

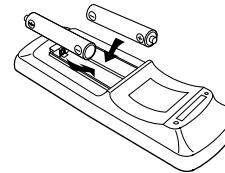
- The included remote control unit (RC-278) can be used to operate the CDR-W1500 from a distance.

**Inserting the batteries**

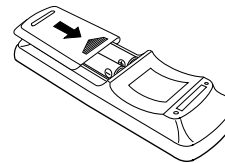
- ① Remove the remote control unit's back lid.



- ② Insert the two R6P (AA) batteries in the battery compartment, in the direction indicated by the marks inside the compartment.



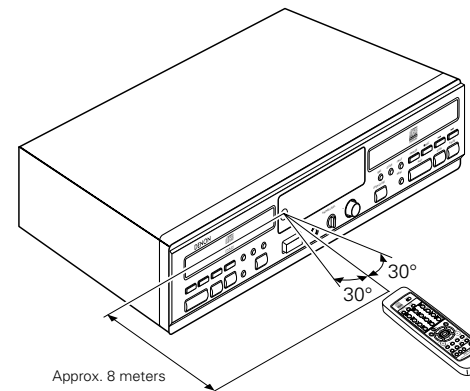
- ③ Put the back lid back on.



**Cautions on batteries**

- Use R6P (AA) batteries in the remote control unit.
- The batteries should be replaced with new ones after approximately one year, though this depends on the frequency with which the remote control unit is used.
- Even if the batteries are less than a year old, replace them with new ones if the remote control unit no longer operates even from a short distance from the main unit.
- The included battery is only for verifying operation. Replace it with a new battery as soon as possible.
- When inserting new batteries, wait about two minutes after removing the old batteries before inserting the new ones.
- Be sure to set the batteries in the proper "⊕" and "⊖" directions, as indicated by the marks in the remote control unit's battery compartment.
- Remove the batteries when not using the remote control unit for long periods of time.
- To avoid explosions and fluid leakage:
  - Do not use one new battery with one old one.
  - Do not use two different types of batteries.
  - Do not short-circuit, disassemble, heat or dispose of batteries in flames.
- If the battery fluid should leak, wipe all the fluid off the battery compartment, then insert new batteries.

**Using the remote control unit**



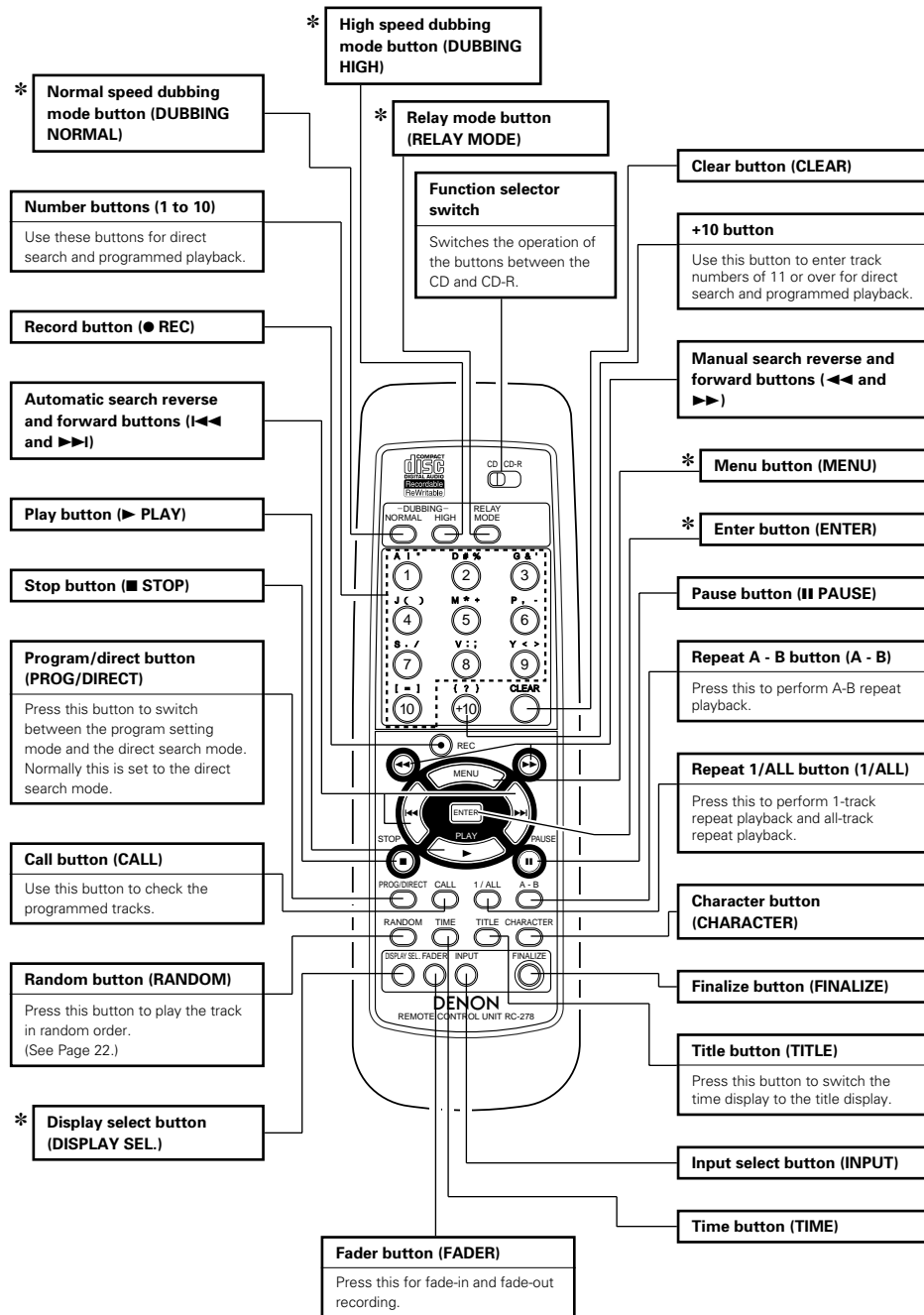
- When operating the remote control unit, point it at the main unit as shown in the diagram.
- The remote control unit can be operated from a direct distance of approximately 8 meters from the main unit. This distance will be shortened, however, if there are obstacles or when operated from an angle. (The remote control unit will operate from a horizontal angle of up to about 30°.)

**NOTES:**

- The remote control unit may not operate if the remote sensor is exposed to direct sunlight or strong artificial light, or if there is an obstacle between it and the remote sensor.
- Do not press buttons on the main unit and on the remote control unit at the same time. Doing so will result in malfunction.

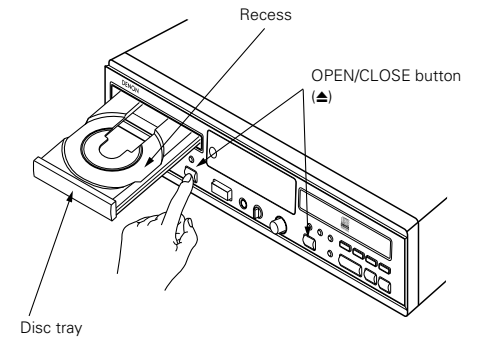
**Names and Functions of Remote Control Unit Buttons**

- Buttons not explained here function in the same way as the corresponding buttons on the main unit.
- Buttons marked "\*" function regardless of the function selector switch.



**■ Inserting Disc**

- ① Press the OPEN/CLOSE button (▲) to open the disc tray.
- ② Insert a disc in the appropriate recess in the tray, label side up.
- ③ Press the OPEN/CLOSE button (▲) to close the tray.
  - "Close" lights up, followed by "TOC Reading" and the display will show the type of disc you inserted.
  - If you insert a blank or partly-recorded CD-R or unfinalized CD-RW, the CD recorder will calibrate the disc for optimum recording. During this process the display will first show "Now OPC" and then the number of audio tracks. Calibration can take up to 60 seconds. (CD-R/RW)
  - If a CD-R/RW is finalized it will show "CD" on the display.



**NOTES:**

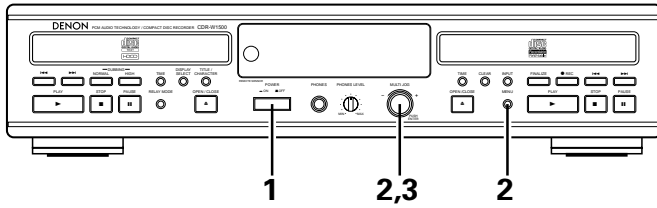
- If your finger should get caught in the disc tray when it closes, press the OPEN/CLOSE button (▲).
- Only Audio CDs will be accepted. If a non-audio disc is inserted, the display shows "Use Audio CD".
- For recording it is important that the blank disc is completely free from dust particles or scratches. See "Disc cleaning" on Page 6.
- When text information is entered but not finalized, the disc holder will not open until all of the text information has been deleted. "Text Erase OK?" will be displayed for 2 seconds. When the enter button is pressed during this interval, the text information will be deleted and the disc holder can be opened.

**9 SETUP METHOD**

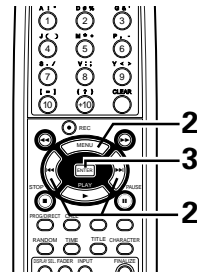
- ★ The 9 items listed below can be set with the setup menu. The following messages will be displayed for the various setting items.
- Close the disc trays and set the stop mode for both the CD and CD-R sections.
- The contents of the set menu are stored, but this data might be lost if the unit is disconnected from the power source for 2 to 3 days.
  - ① "Sync. Rec?"..... Synchro recording mode.
  - ② "Sync. Level?"..... Synchro recording level.
  - ③ "A.T. Mark?"..... Auto track mark.
  - ④ "FadeIn Time?"..... Fade-in recording time.
  - ⑤ "FadeOutTime?"..... Fade-out recording time.
  - ⑥ "Intro Time?"..... Scan recording intro time.
  - ⑦ "Custom Index"..... Custom index.
  - ⑧ "Skip Play?"..... Skip play.
  - ⑨ "Timer Play?"..... Timer playback.

**(1) Setup Method**

(Main unit)



(Remote control unit)

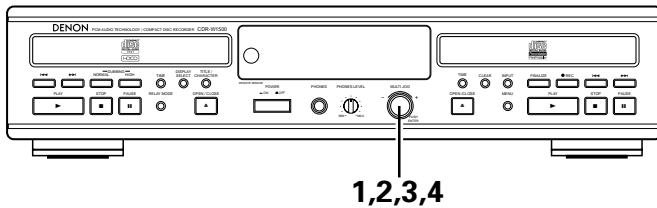


<b>1</b>	Switch on the power.
<b>2</b>	Press the menu button and turn the jog dial on the main unit or use the automatic search buttons on the remote control unit to display "Setup Menu?".
<b>3</b>	Press the enter button and enter the setup mode.

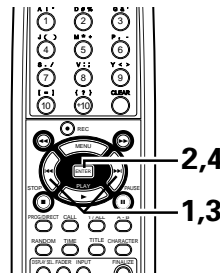
**(2) Setting the Synchro Recording Mode**

★ Perform the synchro recording mode settings. (See Page 18.)

(Main unit)



(Remote control unit)



<b>1</b>	Set the unit to the setup mode, then turn the jog dial of the main unit or press the automatic search button of the remote control to display "Sync. Rec?".
<b>2</b>	Press the enter button and set the synchro recording selection mode.
<b>3</b>	Turn the jog dial of the main unit or press the automatic search button of the remote control, then select the synchro recording mode. "Sync. Off?". "Disc Sync.?". "Make CD?". "1Tr Sync.?".
<b>4</b>	Press the enter button and set the synchro recording mode. "Synchro Off". "Disc Synchro". "Make CD". "1Tr Synchro".

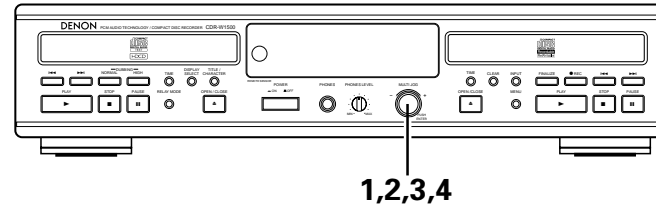
**(3) Setting the Synchro Recording Level**

★ This sets the synchro recording start level when synchro recording is used.

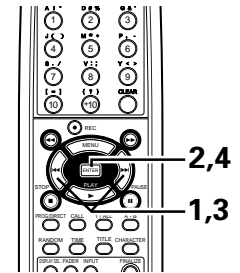
(See Page 18.)

★ When using synchro recording, recording will start when the level of the input signal exceeds a set value. Recording will stop when the signal continues to be at level that is lower than the set value for 10 seconds or longer.

(Main unit)



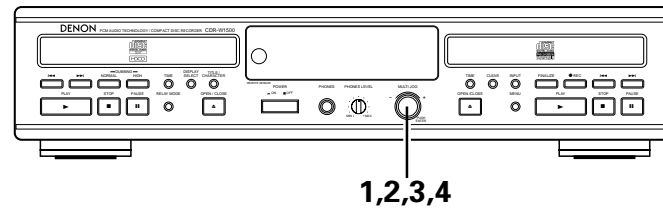
(Remote control unit)



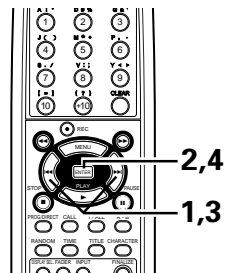
<b>1</b>	Set the unit to the setup mode, then turn the jog dial of the main unit or press the automatic search button of the remote control to display "Sync. Level?".
<b>2</b>	Press the enter button and set the synchro recording selection mode.
<b>3</b>	Turn the jog dial of the main unit or press the automatic search button of the remote control, then set the synchro recording level. • The setup value is displayed in the multiple display area. "Sync. -**dB" * The setting range is from -54 dB to -30 dB, variable in 6 dB steps.
<b>4</b>	Press the enter button and set the synchro recording level. • "Complete" will be displayed.

**(4) Setting of the Auto Track Mark (ATM)**

(Main unit)



(Remote control unit)

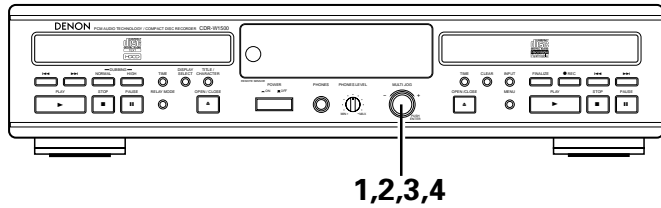


<b>1</b>	Set the unit to the setup mode, then turn the jog dial of the main unit or press the automatic search button of the remote control to display "A.T. Mark?".
<b>2</b>	Press the enter button and set the auto track mark selection mode.
<b>3</b>	Turn the jog dial of the main unit or press the automatic search button of the remote control to select auto track mark on or off. • The selected mode indication will flash. "On/Off"
<b>4</b>	Press the enter button and set the auto track mark on or off. • "A.T. Mark On" or "A.T. Mark Off" will be displayed.

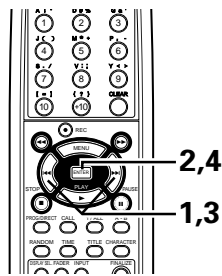
**(5) Fade-in time setting**

★ To perform fade-in recording, set the fade-in time.  
(See Page 19.)

(Main unit)



(Remote control unit)

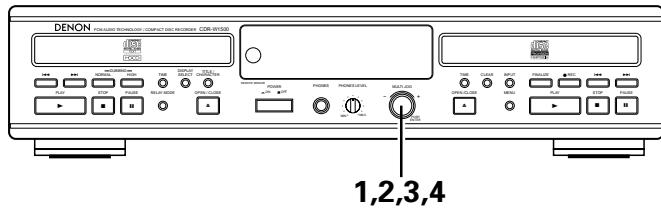


<b>1</b>	Set the unit to the setup mode, then turn the jog dial of the main unit or press the automatic search button of the remote control to display "FadeIn Time?".
<b>2</b>	Press the enter button to set the fade-in time setting mode.
<b>3</b>	Turn the jog dial on the main unit or use the automatic search buttons on the remote control unit to set the fade-in time. <ul style="list-style-type: none"> <li>• The setting is displayed on the multi-display section. "FadeIn **sec"</li> <li>* The setting can be set between 1 and 15 seconds in steps of 1 second.</li> </ul>
<b>4</b>	Press the enter button to set the fade-in recording time. <ul style="list-style-type: none"> <li>• "Complete" will be displayed.</li> </ul>

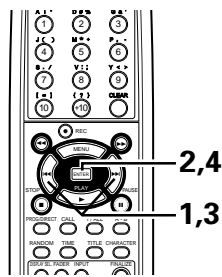
**(6) Fade-out time setting**

★ To perform fade-out recording, set the fade-out time.  
(See Page 19.)

(Main unit)



(Remote control unit)

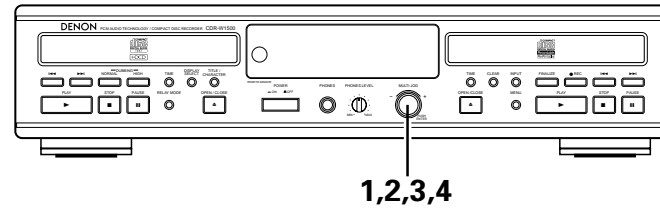


<b>1</b>	Set the unit to the setup mode, then turn the jog dial of the main unit or press the automatic search button of the remote control to display "FadeOutTime?".
<b>2</b>	Press the enter button to set the fade-out time setting mode.
<b>3</b>	Turn the jog dial on the main unit or use the automatic search buttons on the remote control unit to set the fade-out time. <ul style="list-style-type: none"> <li>• The setting is displayed on the multi-display section. "FadeOut**sec"</li> <li>* The setting can be set between 1 and 15 seconds in steps of 1 second.</li> </ul>
<b>4</b>	Press the enter button to set the fade-out recording time. <ul style="list-style-type: none"> <li>• "Complete" will be displayed.</li> </ul>

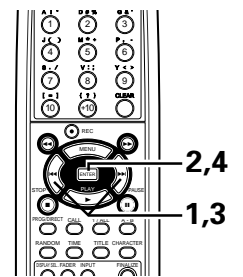
**(7) Setting of the intro play time for scan recording**

★ To perform scan recording, set the intro scan play time.  
(See Page 15.)

(Main unit)



(Remote control unit)

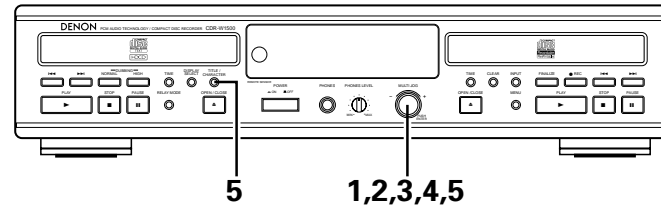


<b>1</b>	Set the unit to the setup mode, then turn the jog dial of the main unit or press the automatic search button of the remote control to display "Intro Time?".
<b>2</b>	Press the enter button to set the intro scan play time setting mode.
<b>3</b>	Turn the jog dial on the main unit or use the automatic search buttons on the remote control unit to set the intro scan play time. <ul style="list-style-type: none"> <li>• The setting is displayed on the multi-display section. "ScanTime **s"</li> <li>* The setting can be set between 5 and 30 seconds in steps of 5 seconds.</li> </ul>
<b>4</b>	Press the enter button to set the intro scan play time. <ul style="list-style-type: none"> <li>• "Complete" will be displayed.</li> </ul>

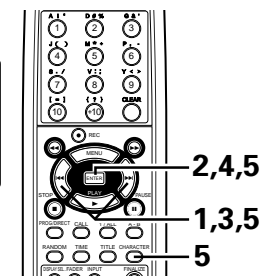
**(8) Setting of the Custom Index**

★ A desired name can be associated with the input jacks.  
★ This is convenient for checking which equipment is connected with the input jacks.

(Main unit)



(Remote control unit)



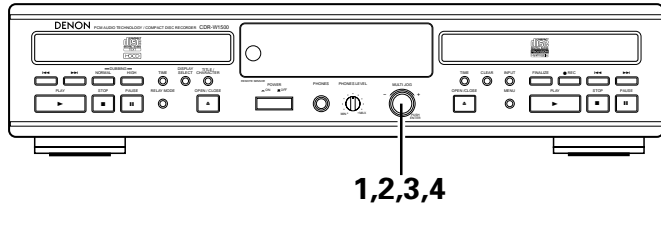
<b>1</b>	Set the unit to the setup mode, then turn the jog dial of the main unit or press the automatic search button of the remote control to display "Custom Index".
<b>2</b>	Press the enter button and set the custom index entry mode.
<b>3</b>	Turn the jog dial of the main unit or press the automatic search button of the remote control to select the jacks for which a name will be associated. <ul style="list-style-type: none"> <li>• The selected jacks indication will flash. "Opt/Coax/Rna"</li> </ul>
<b>4</b>	Press the enter button and set the jacks for which a name will be associated. This will set the name entry mode.
<b>5</b>	Select the entry mode with the character button, then turn the jog dial of the main unit or press the automatic search button of the remote control to select the characters. Enter one character at a time with the enter button. <ul style="list-style-type: none"> <li>• See "Text editings" on Page 31 for details of the character entry method, then perform operations 7 and 8.</li> </ul>



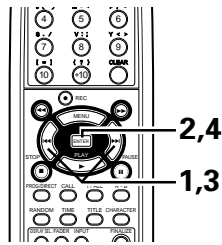
**(9) Setting the Skip Play Mode**

★ This allows playback that skips over tracks to which you do not want to listen. (See "Registration of the tracks to which you do not wish to listen" on Page 29 for information on the setting of such tracks.)

(Main unit)



(Remote control unit)



<b>1</b>	Set the unit to the setup mode, then turn the jog dial of the main unit or press the automatic search button of the remote control to display "Skip Play?".
<b>2</b>	Press the enter button and set the skip play selection mode.
<b>3</b>	Turn the jog dial of the main unit or press the automatic search button of the remote control to select skip play on or off. <ul style="list-style-type: none"> <li>The selected mode indication will flash. "On/Off"</li> </ul>
<b>4</b>	Press the enter button and set the skip play to on or off. <ul style="list-style-type: none"> <li>"S.Play On" or "S.Play Off" will be displayed.</li> </ul>

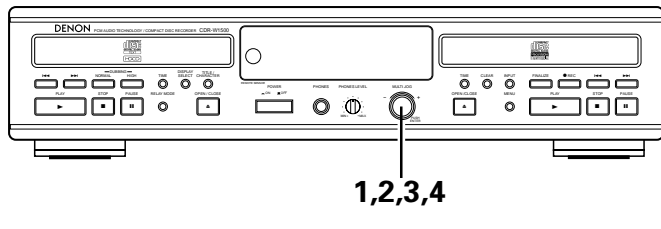
**NOTES:**

- Finalizing the disc when tracks to which you do not want to listen have been registered, results in the skip play mode automatically being switched on.
- Skip play is not possible on CD players that lack a skip play function.
- Program play and random play are not possible when there has been registration of tracks to which you do not want to listen.

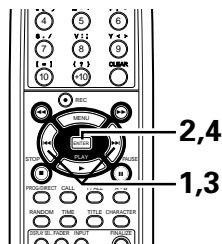
**(10) Timer play mode setting**

★ Timer playback is possible. (See Page 24.)

(Main unit)



(Remote control unit)

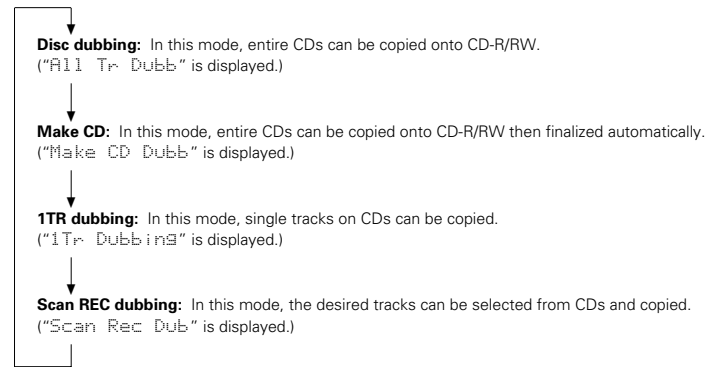


<b>1</b>	Set the unit to the setup mode, then turn the jog dial of the main unit or press the automatic search button of the remote control to display "Timer Play?".
<b>2</b>	Press the enter button and set the timer play selection mode.
<b>3</b>	Turn the jog dial on the main unit or use the automatic search buttons on the remote control unit to turn the timer play mode on or off. <ul style="list-style-type: none"> <li>The selected mode indication will flash. "On/Off"</li> </ul>
<b>4</b>	Press the enter button to set the timer play mode on or off. <ul style="list-style-type: none"> <li>"TimerPlayOn" or "TimerPlayOff" will be displayed.</li> </ul>

**10 COPYING PROCEDURE**

**About copying**

- ★ Copying can be performed easily from the set's CD unit onto the CD-R unit.
- ★ There are two copying speeds (normal and high) and four copying modes.
  - The mode switches as described below each time the normal speed copying button (NORMAL) or the high speed copying button (HIGH) is pressed.



- The recording level is automatically set to the default value (0.0 dB).
- The repeat and random play modes are canceled when the copy mode is set.
- During normal speed copying you can listen to the sound as you copy.
- During high speed copying no sound is produced.
- No signals are output from the digital outputs during high speed copying.
- During copying, buttons other than the CD or CD-R stop buttons do not function.
- When CD TEXT compatible CDs are copied, the disc names and track names are also copied.
- ★ When copying, switch the relay mode to the normal or dual mode. Copying is not possible in the relay or mix mode.
- ★ For optimum recording, make sure there are no fingerprints, scratches or dust on the signal surface of the source side CD or the CD-R/RW.
- ★ The auto track function is always activated in the copying mode. It is not possible to assign track numbers manually.

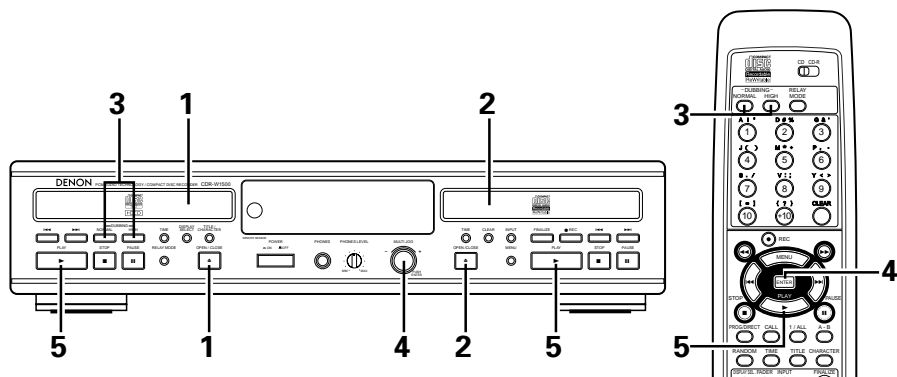
**NOTES:**

- Copying is normally performed with digital signals, but if digital copying is not possible due to SCMS restrictions, copying is performed with analog signals. In addition, copying is always performed at normal speed. (See Page 6.)
- Analog signal copying is always performed in the normal speed mode.
- If when the copying mode is set the recordable time on the CD-R/RW is shorter than the time of the CD source you are trying to copy, "CD-R Short" is displayed and both the CD and CD-R units are set to the stop mode. If this happens, check the disc's recordable time. (However, when recording track numbers 21 or higher from a source CD containing over 20 tracks, "CD-R Short" is not displayed even if the source time you want to record is longer than the CD-R/RW's recordable time.)
- If the disc name has already been input on the disc on which you are recording, only the track names are copied.
- For some CDs, the text cannot be copied because of copyright protection. In this case "Text Protect" is displayed.
- Do not turn off the power or unplug the power cord while "How PMA Rec" is displayed after recording is completed. Doing so may render the disc unusable.

**(1) Copying entire discs**

(Main unit)

(Remote control unit)



<b>1</b>	Load the CD you want to copy into the CD unit.
<b>2</b>	Load the CD-R/RW onto which you want to record into the CD-R unit.
<b>3</b>	Press the normal or high speed copying button (NORMAL or HIGH) to display "All Tr. Dubb" or "Make CD Dubb".
<b>4</b>	Press the enter button to set the copying mode. <ul style="list-style-type: none"> <li>The CD unit is set to the pause mode, the CD-R unit to the recording standby mode.</li> </ul>
<b>5</b>	Press the CD or CD-R unit's play button. <ul style="list-style-type: none"> <li>Copying starts.</li> <li>If the "Make CD" mode has been selected, finalization starts automatically after copying is completed. (See Page 27.) Once finalization is completed the stop mode is set automatically.</li> <li>To stop in the middle of copying, press the stop button on the CD or CD-R unit.</li> <li>If the program modes are set for the CD unit beforehand, copying is performed accordingly.</li> </ul>

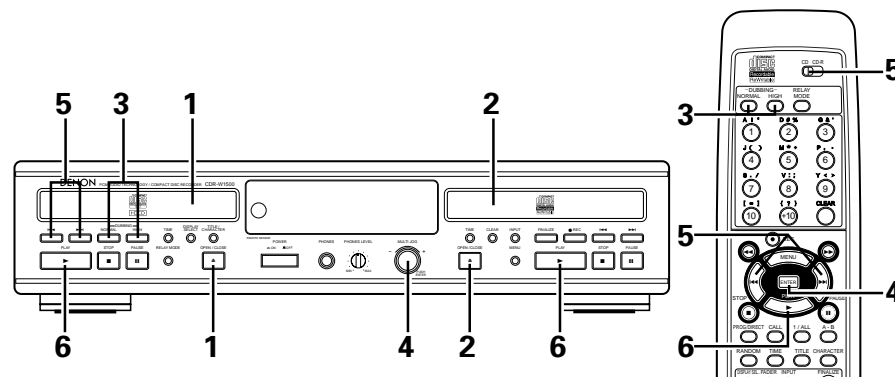
**NOTE:**

- If you wish to input text data, select the "All Tr. Dubb" mode. With CD-R discs, text data cannot be input after the disc has been finalized.

**(2) Copying one track at a time**

(Main unit)

(Remote control unit)



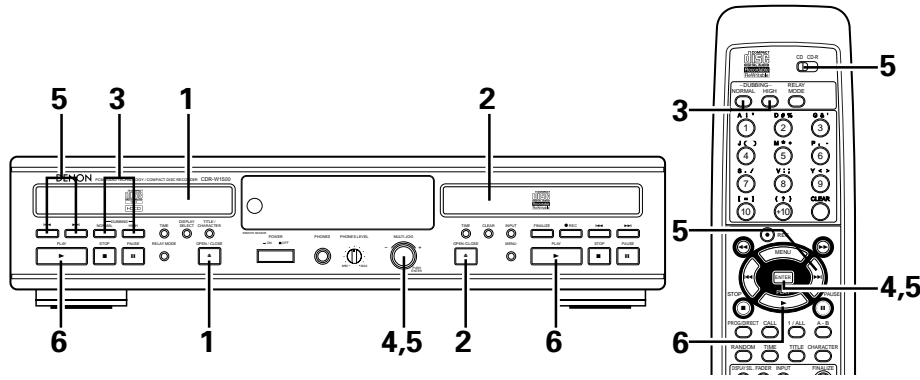
<b>1</b>	Load the CD you want to copy into the CD unit.
<b>2</b>	Load the CD-R/RW onto which you want to record into the CD-R unit.
<b>3</b>	Press the normal or high speed copying button (NORMAL or HIGH) to display "1Tr. Dubbing".
<b>4</b>	Press the enter button to set the copying mode. <ul style="list-style-type: none"> <li>The CD unit is set to the pause mode, the CD-R unit to the recording standby mode.</li> </ul>
<b>5</b>	Use the CD unit's automatic search buttons to select the track you want to record.
<b>6</b>	Press the CD or CD-R unit's play button. <ul style="list-style-type: none"> <li>Copying starts.</li> <li>When copying is completed, the CD-R unit is stopped.</li> <li>To stop in the middle of copying, press the stop button on the CD or CD-R unit.</li> </ul>

**(3) Selecting tracks to be copied while scanning CDs and copying the selected tracks**

★ The intro scan playing time can be set at the setup menu (Page 12).

(Main unit)

(Remote control unit)



<b>1</b>	Load the CD you want to copy into the CD unit.
<b>2</b>	Load the CD-R/RW onto which you want to record into the CD-R unit.
<b>3</b>	Press the normal or high speed copying button (NORMAL or HIGH) to display "Scan Rec Dub".
<b>4</b>	Press the enter button to set the copying mode. <ul style="list-style-type: none"> <li>Intro scan playback starts on the CD unit.</li> </ul>
<b>5</b>	Set the tracks you want to record. <ul style="list-style-type: none"> <li>For tracks you want to record, press the enter button.</li> <li>For tracks you do not want to record, press the automatic search forward button.</li> <li>* Once all the tracks have been scanned, the CD unit is set to the pause mode, "Choice OK?" is displayed, and the "PROG" indicator lights.</li> <li>Check the settings on the music calendar, and if they are OK press the enter button.</li> <li>If the settings are wrong, press the stop button then repeat steps 1 to 5.</li> </ul>
<b>6</b>	Press the CD or CD-R unit's play button. <ul style="list-style-type: none"> <li>Copying starts.</li> <li>When copying is completed, the CD-R unit is stopped.</li> <li>To stop in the middle of copying, press the stop button on the CD or CD-R unit.</li> </ul>

**NOTE:**

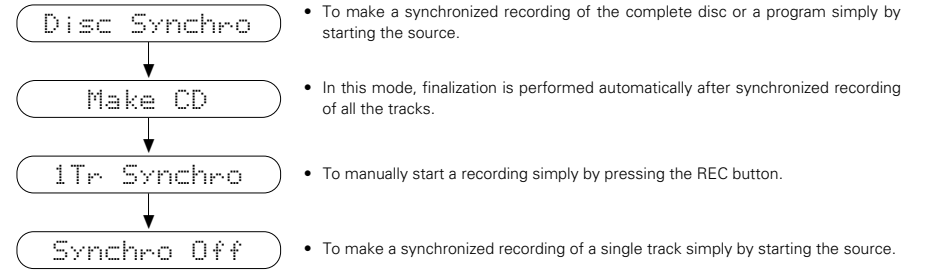
- A maximum of 30 tracks can be set to be recorded. Intro scan playback is performed even after 30 tracks have been set, but no more tracks can be set.

**11 RECORDING FROM EXTERNAL DEVICES**

- When recording on an already recorded disc, recording automatically starts from the end of the section last recorded. When doing so, pay attention to the remaining time.
- To clear the entire content of the disc and record from the beginning, first erase the entire disc. "(2) Erasing the tracks" Page 28.
- To assure accurate recording, record with an ambient temperature of 30 °C or less.
- Recording may stop if the unit is subject to shocks during recording. If recording stops, it may no longer be possible to use the disc normally. ("Disc Error")
- Switch to the normal or dual mode when recording. Operation is not possible in the relay or mix mode.

**Recording Modes**

- Your recorder offers several recording modes.
- Setting is possible using the method of "Setup Method" on Page 11.



**NOTES:**

- Analog recording is not possible in the Make CD mode.
- Use the copy mode to record HDCDs. Such discs may not be recorded properly when recording from the exterior.
- Do not turn off the power or unplug the power cord while "Now PMA Rec" is displayed after recording is completed. Doing so may render the disc unusable.

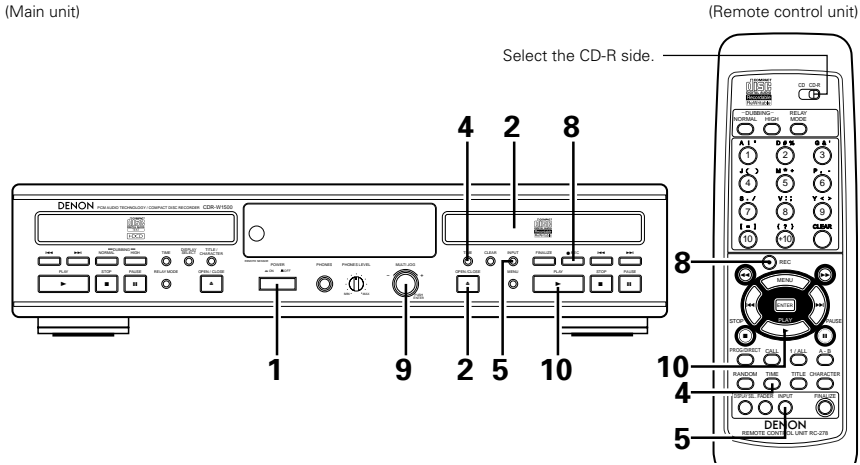
**Some remarks on recording:**

- When Auto track is ON (default setting), track numbers will automatically be increased during recording.
- By programming the source first, a compilation can be recorded.

**1. Manual recording**

**(1) Starting analog recording**

(Main unit)



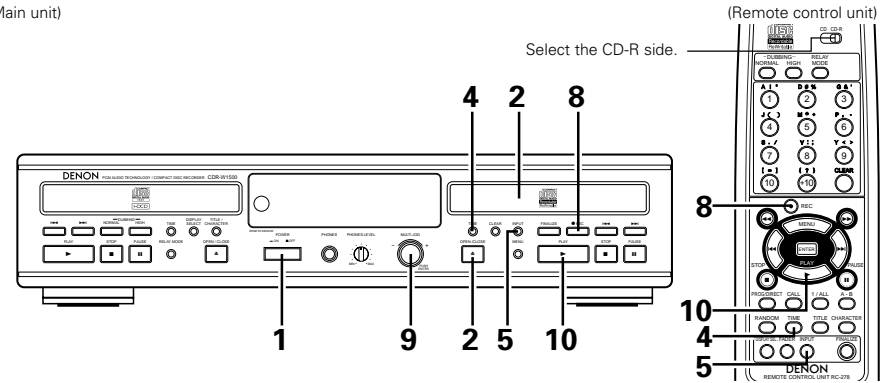
<b>1</b>	Turn on the power.
<b>2</b>	Load the CD-R/RW disc that is to be recorded.
<b>3</b>	Perform the operation of "Setup Method (2) Setting the Synchro Recording Mode" on Page 11 and select the Synchro off mode.
<b>4</b>	When using an already recorded Disc, press the TIME button to check the recordable time. <ul style="list-style-type: none"> <li>The time display switches between the total recorded time and the recordable time each time the TIME button is pressed.</li> </ul>
<b>5</b>	Press the input switching button (INPUT) and select the analog source. <ul style="list-style-type: none"> <li>The "ANALOG" display will light.</li> </ul>
<b>6</b>	Perform the operation of "Setup Method" on Page 11 and select on/off of the ATM function. <ul style="list-style-type: none"> <li>ATM Function on The "ATM" display will light. When a blank portion (of about 3 seconds or longer) of the recording input signal is detected, the track number is automatically associated and recorded.</li> <li>ATM Function off This is recorded as the following track.</li> </ul>
<b>7</b>	Start playing the selection you want to record on the CD player, cassette deck, etc.
<b>8</b>	Press the record button (● REC). <ul style="list-style-type: none"> <li>The recording standby mode is set.</li> </ul>
<b>9</b>	Adjust the recording level with the jog dial and press the enter button. <ul style="list-style-type: none"> <li>Adjust the input level adjustment control (INPUT LEVEL) so that the "OVER" indicator does not light even when the volume is loudest. After adjusting, set the source to be recorded to the standby mode.</li> <li>* The recording level can be set in advance using the menu mode.</li> <li>The set recording level will be stored in memory, but this data might be lost if the unit is not connected to a power source for 2 to 3 days.</li> </ul>
<b>10</b>	Press the play button (▶ PLAY). <ul style="list-style-type: none"> <li>Recording starts.</li> </ul>
<b>11</b>	Start playing the selection you want to record on the CD player, cassette deck, etc.

**(2) Starting digital recording**

- This set includes a sampling rate converter.

When recording DATs or satellite broadcasts (32 kHz or 48 kHz) whose digital input signal sampling frequency is different from that of CD (44.1 kHz), the sampling frequency is automatically converted to 44.1 kHz.

(Main unit)



<b>1</b>	Turn on the power.
<b>2</b>	Load the CD-R/RW disc that is to be recorded.
<b>3</b>	Perform the operation of "Setup Method (2) Setting the Synchro Recording Mode" on Page 11 and select the Synchro off mode.
<b>4</b>	When using an already recorded Disc, press the TIME button to check the recordable time. <ul style="list-style-type: none"> <li>The time display switches between the total recorded time and the recordable time each time the TIME button is pressed.</li> </ul>
<b>5</b>	Press the input switching button (INPUT) and select the digital source (Optical or Coaxial). <ul style="list-style-type: none"> <li>The indicator for the selected input source ("CD", "OPT" or "COAX") lights.</li> </ul>
<b>6</b>	Perform the operation of "Setup Method" on Page 11 and select on/off of the ATM function. <ul style="list-style-type: none"> <li>ATM Function on The "ATM" display will light. When a blank portion (of about 3 seconds or longer) of the recording input signal is detected, the track number is automatically associated and recorded.</li> <li>ATM Function off This is recorded as the following track.</li> </ul>
<b>7</b>	Start playing the selection you want to record on the CD player, MD recorder, etc.
<b>8</b>	Press the record button (● REC). <ul style="list-style-type: none"> <li>If the "D. in" indicator is flashing, check the connections to the digital input jacks.</li> </ul>
<b>9</b>	Adjust the recording level with the jog dial and press the enter button. <ul style="list-style-type: none"> <li>Adjust the input level adjustment control (INPUT LEVEL) so that the "OVER" indicator does not light even when the volume is loudest. After adjusting, set the source to be recorded to the standby mode.</li> <li>* The recording level can be set in advance using the menu mode.</li> <li>The set recording level will be stored in memory, but this data might be lost if the unit is not connected to a power source for 2 to 3 days.</li> </ul>
<b>10</b>	Press the play button (▶ PLAY). <ul style="list-style-type: none"> <li>Recording starts.</li> </ul>
<b>11</b>	Play the selection to be recorded on the CD player, etc.

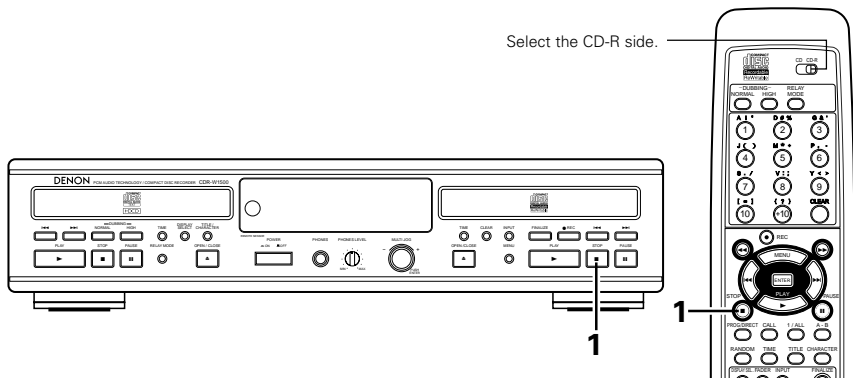
**NOTES:**

- "CD" can be selected by pressing the input selector button, but manual recording from the set's CD unit is only possible in the dual mode. (Refer to "Dual mode" on Page 26, 27).
- When you do not wish to change the digital recording level, set the jog dial so that "Level 00.0dB" is displayed. The recording will be made without changing the input signal level.
- The recording level can be adjusted over a range of  $-\infty$  to +12 dB for analog input recording and from  $-\infty$  to 0 dB for digital input recording. Note that the displayed setting values may include a degree of error in terms of calculation processing.
- When the recording level is  $-\infty$ , "Level ---. -dB" is displayed and audio is not output.

**(3) Stopping recording**

(Main unit)

(Remote control unit)



- 1** During recording, press the stop button (■ STOP).
- The stop mode is set automatically once the end of the recordable time is reached.

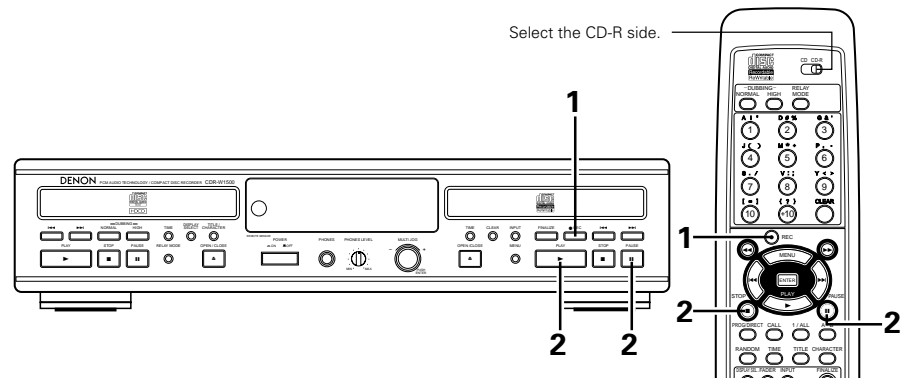
**NOTES:**

- When performing digital recording of CD or MD, the track numbers are recorded automatically. (See Page 6.)
- When recording digital sources other than CD or MD, track numbers are automatically added when blank sections are detected. (See Page 6.)
- During digital recording from CD or MD, the track number may not change if the same track is programmed twice in a row or if the single track repeat mode is set.
- It is not possible to make digital recordings of Discs which have already been recorded digitally. The CDR-W1500 includes a serial copy management system. This system limits reproduction of digital signals on digital audio devices to "one generation". Use analog recording to record Discs originally recorded digitally.
- The CDR-W1500 is for use in private homes and may not operate properly if used (to record, etc.) in combination with professional equipment or other devices not designed for use in private homes.
- To eject the Disc if the "COPY Prohibit" or "Disc Unlock" message is displayed during digital recording and the recording pause mode is set, first press the stop button (■ STOP), then press the open/close button (▲ OPEN/CLOSE) to eject the Disc.

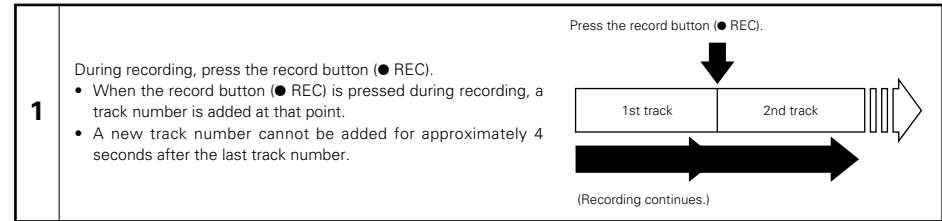
**(4) Adding track numbers during recording**

(Main unit)

(Remote control unit)

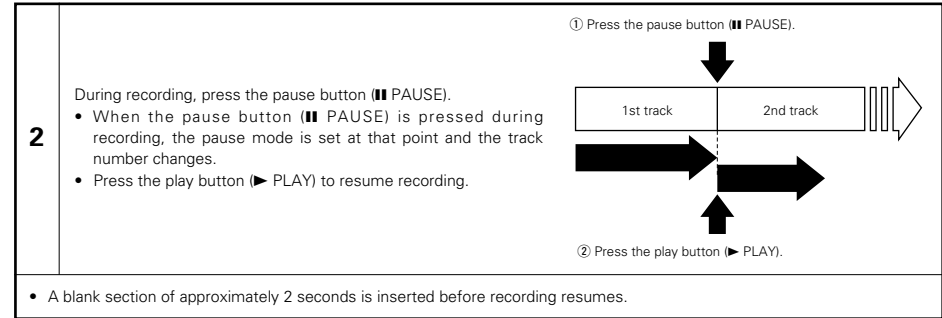


- Track numbers can be added during recording regardless of the recording mode.



**(5) Stopping recording temporarily**

- Recording can be stopped temporarily then resumed from the same point.

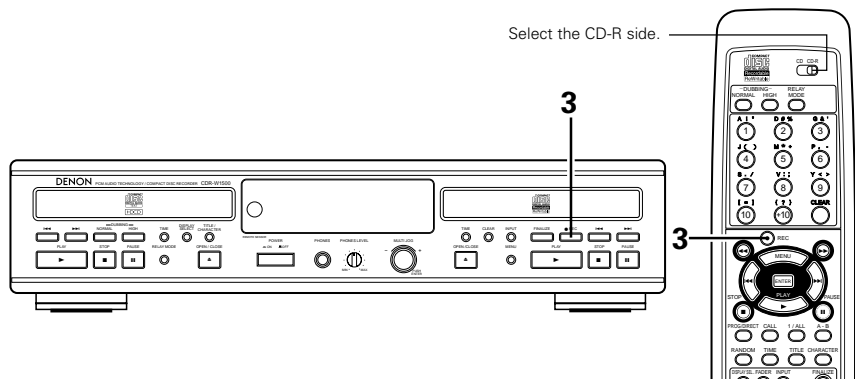


**2. Synchronized recording of the Disc  
(DISC SYNCHRO)**

- ★ This mode is used when recording all the tracks of the CD or MD on the playback side.
- ★ Please also see "Setup Method (3) Setting the Synchro Recording Level" on Page 11.

(Main unit)

(Remote control unit)



<b>1</b>	Perform the operation of "Manual recording" on Page 16, perform the settings of the input jacks and the recording level, and set the stop mode.
<b>2</b>	Perform the procedure at "Setup Method (2) Setting the Synchro Recording Mode" on Page 11 and select the disc synchro mode or the make CD mode. <ul style="list-style-type: none"> <li>• The "SYNC" indication will light.</li> </ul>
<b>3</b>	Press the record button (● REC). <ul style="list-style-type: none"> <li>• The recording pause mode is set and "Disc Synchro" or "Make CD" is displayed.</li> </ul>
<b>4</b>	Use a CD player, cassette deck or other source to play the tracks that you wish to record. <ul style="list-style-type: none"> <li>• Recording will start automatically.</li> <li>• In the make CD mode, finalization is performed automatically after recording stops.</li> <li>* Please also see "Setup Method (3) Setting the Synchro Recording Level" on Page 11.</li> </ul>
<ul style="list-style-type: none"> <li>• To stop synchro recording, press the stop button.</li> </ul>	

**NOTE:**

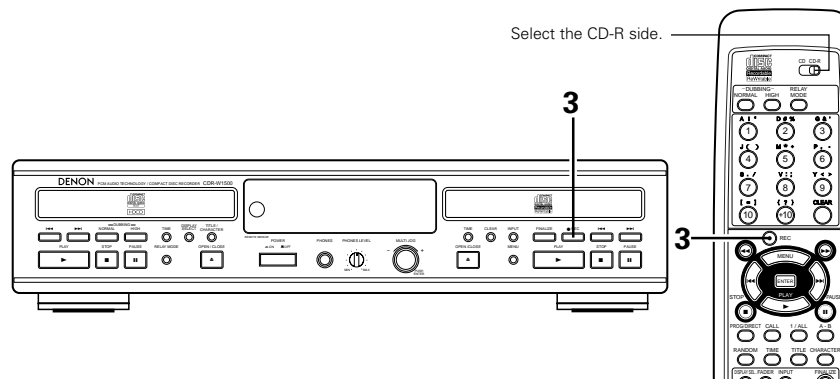
- If you wish to input text data, select the "Disc Synchro" mode. With CD-R discs, text data cannot be input after the disc has been finalized.

**3. Synchronized recording of the single track  
(1Tr SYNCHRO)**

- ★ This mode is used to record only one track.
- ★ Please also see "Setup Method (3) Setting the Synchro Recording Level" on Page 11.

(Main unit)

(Remote control unit)



<b>1</b>	Perform the operation of "Manual recording" on Page 16, set the input jacks and the recording level, and set the stop mode.
<b>2</b>	Perform the operation of "Setup Method (2) Setting the Synchro Recording Mode" on Page 11 and select the track synchro mode. <ul style="list-style-type: none"> <li>• The "1Tr SYNC" indication lights.</li> </ul>
<b>3</b>	Press the record button (● REC). <ul style="list-style-type: none"> <li>• This sets the record-pause mode and displays "1Tr Synchro".</li> </ul>
<b>4</b>	Use a CD player, cassette deck or other source to play the tracks that you wish to record. <ul style="list-style-type: none"> <li>• Recording will start automatically.</li> <li>* Please also see "Setup Method (3) Setting the Synchro Recording Level" on Page 11.</li> </ul>
<ul style="list-style-type: none"> <li>• To stop synchro recording, press the stop button.</li> <li>• If there is a soundless section of 3 seconds or more, recording stops when the next track starts.</li> <li>• Recording stops if there is a soundless section of 10 seconds or more.</li> </ul>	

**4. Fade-in and fade-out recording**

★ It is possible to record by gradually increasing the volume (fade-in) or decreasing it (fade-out).

**(1) Fade-in recording**

\* Also refer to "Setup Method (5) Fade-in time setting" (Page 12).

<b>1</b>	Perform the procedure at "Manual recording" step 1 to 8 (Page 16).
<b>2</b>	Start playing the selection you want to record on the CD player, cassette deck, etc.
<b>3</b>	Press the fader button on the remote control unit. <ul style="list-style-type: none"> <li>• "Fade In" is displayed, and "FADE" flashes during the fade in operation.</li> <li>• The recorded sound is gradually increased from a recording level of <math>-\infty</math> to the set recording level in the set time.</li> </ul>

**(2) Fade-out recording**

\* Also refer to "Setup Method (6) Fade-out time setting" (Page 12).

<b>1</b>	During recording, press the fader button on the remote control unit. <ul style="list-style-type: none"> <li>• "Fade Out" is displayed, and "FADE" flashes during the fade out operation.</li> <li>• The recorded sound is gradually decreased from the set recording level to a recording level of <math>-\infty</math> in the set time.</li> </ul>
----------	---

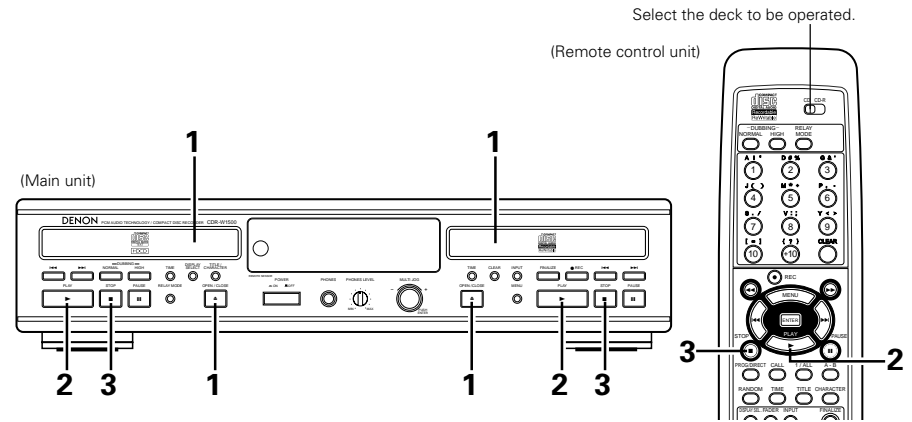
**NOTE:**

- The fade in/out recording function does not work in the synchro or copy recording modes. Record manually if you want to use the fade in/out function.

**12 NORMAL PLAYBACK**

**1. Starting playback**

First try playing the tracks in order.



<b>1</b>	Load the disc to be played.
<b>2</b>	<ul style="list-style-type: none"> <li>• Press the PLAY button (▶) to start CD play.</li> <li>• "▶"lights up and the track number and track time of the track in play appear on the display.</li> <li>• Press the TIME button once, twice or three times to see: Remaining track time, total remaining time, elapsed track time.</li> </ul>

**NOTE:**

- "No Disc" will be displayed at such times as when a disc is not loaded, the disc cannot be read properly due to scratches or dirt, or the disc is loaded upside down.

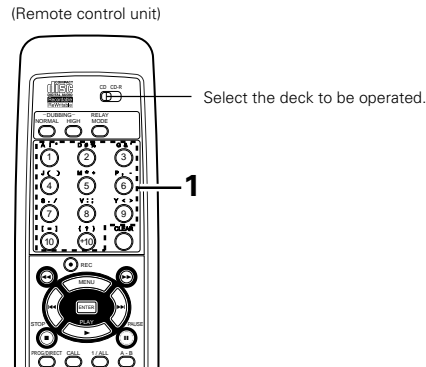
**2. Starting playback**

<b>3</b>	Press the stop button (■ STOP). <ul style="list-style-type: none"> <li>• Playback stops.</li> <li>• The stop mode is set automatically once all the tracks on the disc have been played.</li> </ul>
----------	---

# 13 VARIOUS PLAYBACK FUNCTIONS

In addition to normal playback, the CDR-W1500 also offers the playback functions described below.

## 1. Playing a certain track (remote control unit only) ..... Direct Search

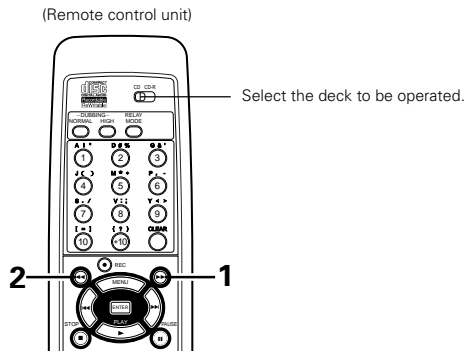


**1** Use the number buttons (1 to 10) and the +10 button to input the number of the desired track.

- For example:  
Press button **4** to listen to the 4th track, buttons **+10** and **2** to listen to the 12th track, **+10**, **+10** and **10** to listen to the 30th track. Playback begins from that track.

## 2. Finding the desired position while listening to the sound ..... Manual Search

- Use this function to skip rapidly through the disc while listening to the sound. This function comes in handy when you want to find a certain section within a long track.



### (1) Searching forward

**1** During playback, press and hold in the manual search forward button (▶▶).

- Normal playback resumes from the point at which the button is released.
- Playback stops if the end of the last track on the disc is reached while pressing the manual search forward button (▶▶).
- For high-speed forward search without hearing the sound, press the manual search forward button (▶▶) while in the pause mode.

Press and hold in the manual search forward button (▶▶).

### (2) Searching backward

**2** During playback, press and hold in the manual search reverse button (◀◀).

- Normal playback resumes from the point at which the button is released.
- Manual search stops and playback starts if the beginning of the first track on the disc is reached while pressing the manual search reverse button (◀◀).
- For high-speed backward search without hearing the sound, press the manual search reverse button (◀◀) while in the pause mode.

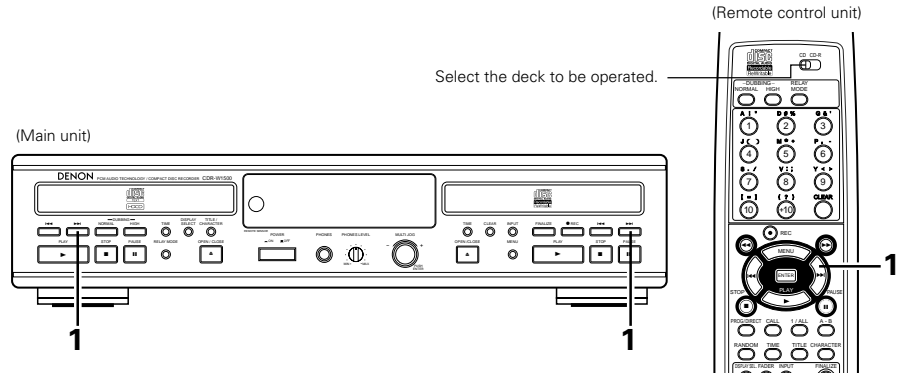
Press and hold in the manual search reverse button (◀◀).

**NOTE:**

- There may be a slight break in the sound when returning to normal playback from the manual search mode.

## 3. Finding the beginnings of tracks during playback ..... Automatic Search

### (1) Moving ahead to the beginning of the next track



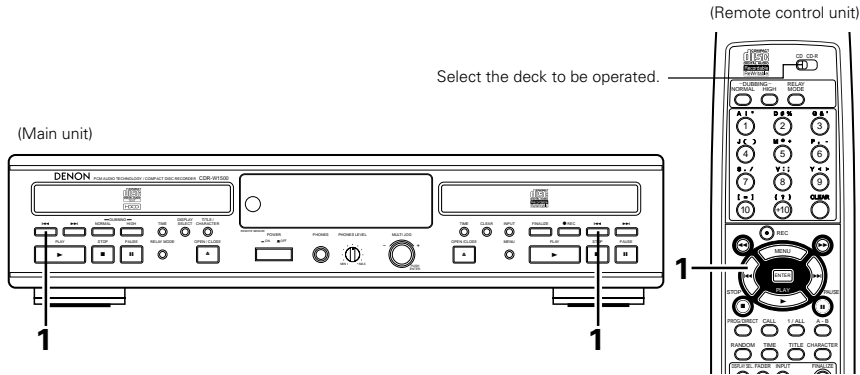
**1** Press the automatic search forward button (▶▶I).

- During the search operation, press the automatic search forward button (▶▶I) again to move further on to the beginning of the following track.

Press the automatic search forward button (▶▶I).



**(2) Moving back to the beginning of the current track**



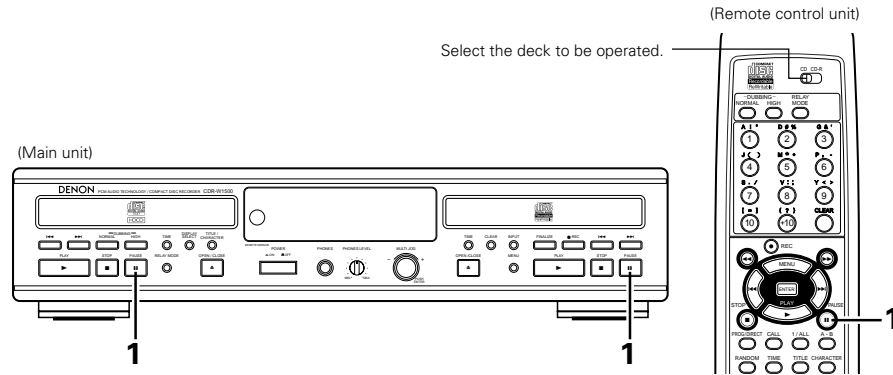
**1** Press the automatic search reverse button (◀◀).  
 • During the search operation, press the automatic search reverse button (◀◀) again to move further back to the beginning of previous track.

Press the automatic search reverse button (◀◀).

**4. Stopping playback temporarily**

**Pause**

- Use this function to stop playback temporarily then resume from the same point.



**1** During playback, press the pause button (⏸ PAUSE).  
 • The pause mode is set.  
 • Press the play button (▶ PLAY) to resume playback from the point at which the pause mode was set.

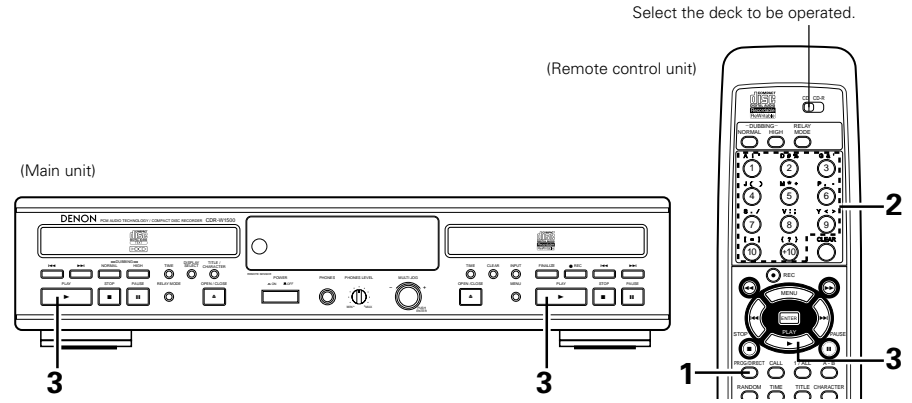
① Press the pause button (⏸ PAUSE).

② Press the play button (▶ PLAY).

**5. Playing tracks in a certain order**

**Programmed Playback**

- Use this function to select certain tracks from the disc and program them to play in a certain order.
- Up to 30 tracks can be programmed.



**1** In the stop mode, press the PROG/DIRECT button.  
 • The "PROG" indicator lights.

**2** Use the number buttons and the +10 button to select the tracks for programmed playback.  
 • For example, to program the 3rd, 12th and 7th tracks, press **PROG/DIRECT**, **[3]**, **[+10]**, **[2]** and **[7]**.

**3** Press the play button (▶ PLAY).  
 • The tracks are played in the programmed order.

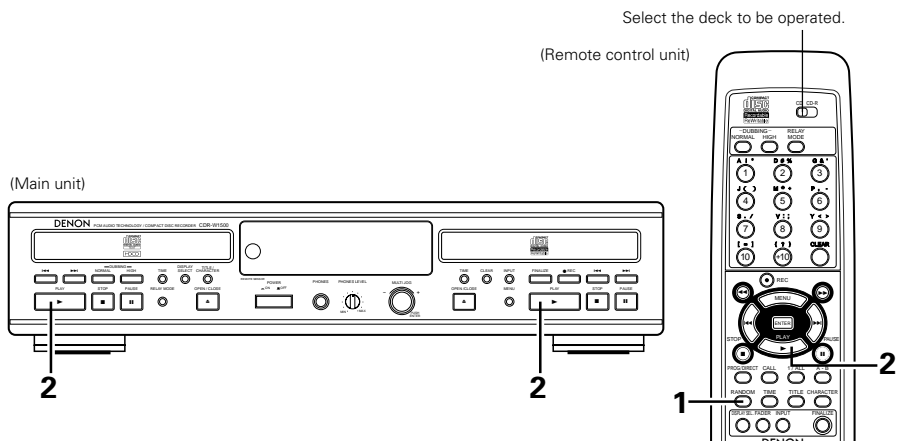
- To check the contents of the program, press the CALL button. The programmed tracks appear in the programmed order on the display each time the CALL button is pressed.
- To change the program, press the CLEAR button while in the stop mode, then program the desired track. The last programmed track is replaced with the newly input track.
- To clear the entire program, press the PROG/DIRECT or open/close (▲ OPEN/CLOSE) button while in the stop mode.

**NOTES:**

- The single track repeat mode and A-B repeat mode cannot be set during programmed playback.
- Programs with total playing times of over 99 minutes can be set, but the time will not be displayed properly.
- Programmed playback is not possible with non-finalized discs.
- The direct search operation is not possible during programmed playback.
- Track numbers of 21 or greater can be programmed for discs containing over 20 tracks, but when this is done the time is not displayed properly.

**6. Playing in random order** ..... **Random Playback**

- Use this function to play all the tracks on the disc once in random order.



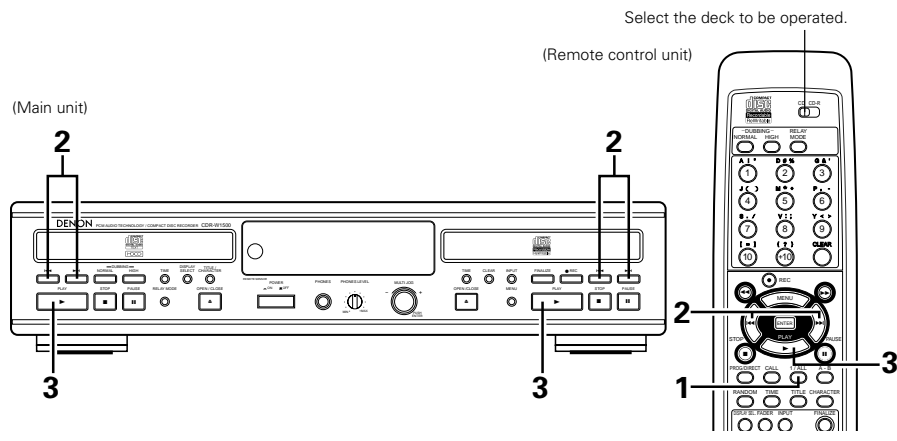
- |          |  |
|----------|--|
| <b>1</b> | In the stop mode, press the RANDOM button. <ul style="list-style-type: none"> <li>The "RAND" indicator lights.</li> </ul>  |
| <b>2</b> | Press the play button (▶ PLAY). <ul style="list-style-type: none"> <li>During normal playback: Tracks are automatically played in random order.</li> <li>During the all-track repeat mode: All tracks are played once in random order, then repeated in another random order.</li> <li>To cancel the random play mode, either set the stop mode or press the RANDOM button again.</li> </ul> |

**NOTES:**

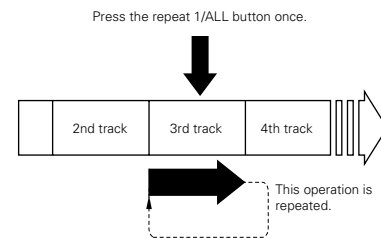
- The single track repeat mode and A-B repeat mode cannot be set during random playback.
- Random playback is not possible with non-finalized discs.

**7. Playing repeatedly** ..... **Repeat Playback**

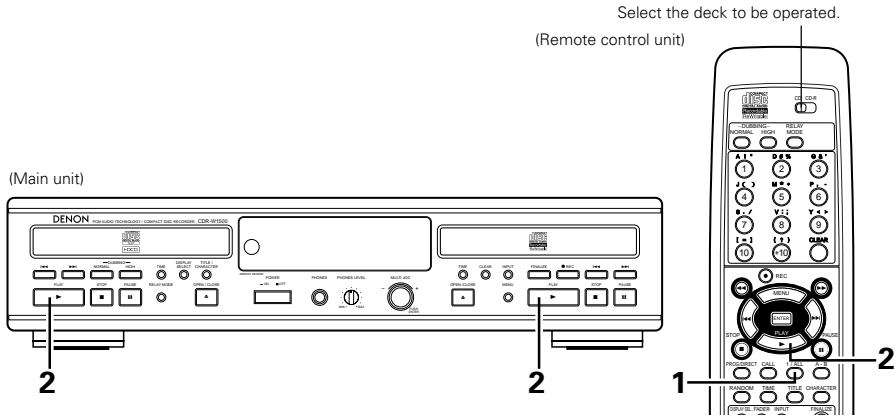
**(1) Playing a single track repeatedly [Single Track Repeat]**



- |          |  |
|----------|--|
| <b>1</b> | Press the repeat 1/ALL button once. <ul style="list-style-type: none"> <li>The "REPEAT 1" indicators light on the display and the single track repeat mode is set.</li> </ul>  |
| <b>2</b> | Use the automatic search buttons (◀◀ and ▶▶) to select the track to be played repeatedly.  |
| <b>3</b> | <p>Press the play button (▶ PLAY).</p> <ul style="list-style-type: none"> <li>Playback starts.</li> <li>Once the selected track ends, it is played again from the beginning.</li> <li>The single track repeat mode can also be set by pressing the repeat 1/ALL button during playback. The current track is played repeatedly.</li> <li>To cancel the single track repeat mode, press the repeat 1/ALL button repeatedly until the "REPEAT" indicator turns off.</li> </ul> |



**(2) Playing all tracks repeatedly [All Track Repeat]**



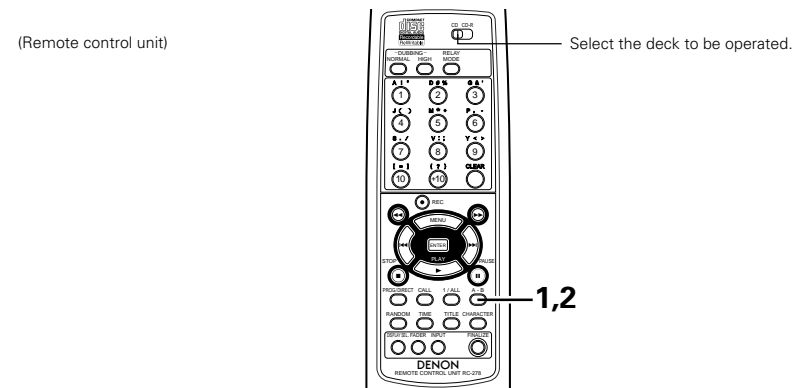
- |          |   |
|----------|---|
| <b>1</b> | <p>Press the repeat 1/ALL button twice.</p> <ul style="list-style-type: none"> <li>The "REPEAT" indicators light on the display and the all track repeat mode is set.</li> </ul>  |
| <b>2</b> | <p>Press the play button (▶) PLAY.</p> <ul style="list-style-type: none"> <li>The disc is played repeatedly.</li> <li>The all track repeat mode can also be set by pressing the repeat 1/ALL button twice during playback.</li> <li>If the repeat 1/ALL button is pressed during programmed playback, the tracks are played repeatedly in the programmed order.</li> <li>To cancel the all track repeat mode, press the repeat 1/ALL button repeatedly until the "REPEAT" indicator turns off.</li> </ul> |

**NOTES:**

- The single track repeat mode cannot be set during programmed playback or random playback.
- Repeat playback is not possible with non-finalized discs.

**(3) Playing a section between any two points repeatedly [A-B Repeat]**

★ This function allows you to play a certain section within a track repeatedly.



- |          |  |
|----------|--|
| <b>1</b> | <p>During playback, press the repeat A-B button at the position at which you want to start repeating (point A).</p> <ul style="list-style-type: none"> <li>The "REPEAT A-" indicator lights.</li> </ul>  |
| <b>2</b> | <p>Press the repeat A-B button again at the position at which you want to stop repeating (point B).</p> <ul style="list-style-type: none"> <li>The "REPEAT A-B" indicator lights, the pickup returns to point A, and the section is played repeatedly.</li> </ul> <div style="text-align: center;"> </div> |

- To stop A-B repeat playback, press the repeat A-B button on the remote control unit until the "REPEAT" indicator turns off. The A-B repeat mode is canceled and normal playback starts from the beginning of the current track.
- If the stop button (■) STOP is pressed, the A-B repeat mode is canceled and the stop mode is set.

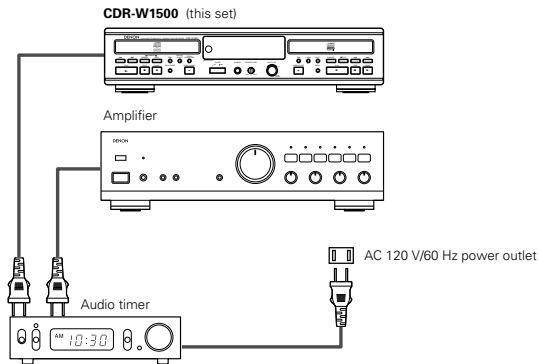
**NOTES:**

- A-B repeat playback is not possible during programmed playback or random playback.
- The automatic and manual search functions cannot be used during A-B repeat playback or when setting point B.
- When A-B repeat playback is canceled when point B is set on a different track from point A, playback resumes from the beginning of the track that is playing when the A-B repeat mode is canceled.
- A-B repeat playback is not possible with non-finalized discs.

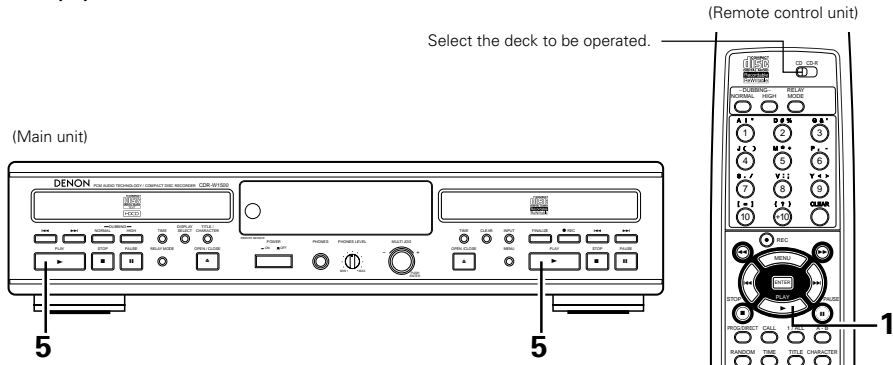
**8. Timer playback**

- A separately sold audio timer can be used to start playback or recording at a specific time.
- Also refer to the operating instructions for the audio timer and amplifier.
- The program and relay modes can also be used.

**(1) Connections**



**(2) Timer playback**

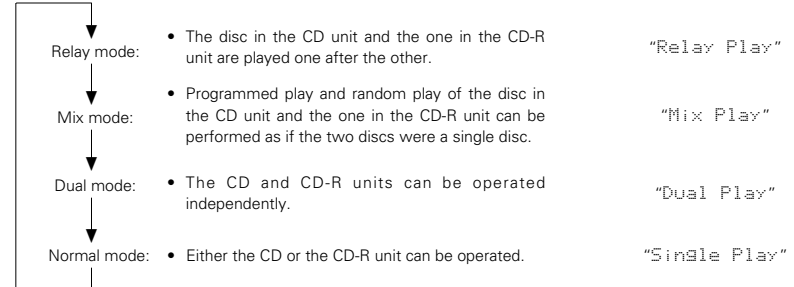


<b>1</b>	Turn on the power of the CDR-W1500 and the connected components.
<b>2</b>	Perform the procedure at "Setup Method (10) Timer play mode setting" (Page 13) and make the timer playback on setting.
<b>3</b>	Load the Disc for timer playback into the CDR-W1500.
<b>4</b>	Set the amplifier's input selector to "CD".
<b>5</b>	Press the play button (▶ PLAY). • Play the disc to check the volume.
<b>6</b>	Set the audio timer for the desired time. • The power of the components connected to the audio timer turns off. • When the set time is reached, the power of the various components turns on automatically and playback begins from track one.
<ul style="list-style-type: none"> <li>• The settings for the program mode, random mode, relay mode, etc., are stored in the memory before the power is turned off.</li> <li>• If there is no disc in the CD side and a disc is loaded in the CD-R side: Timer playback does not function when the relay mode is set to normal or dual. Timer playback functions for the CD-R side when the relay mode is set to relay or mix.</li> </ul>	

**14 RELAY MODE**

**Relay mode**

- ★ Various types of playback and recording can be performed through relay operation between the set's CD and CD-R units.
- ★ There are three relay modes.
- ★ The set mode is stored in the memory, but the data may be cleared if the power is not turned on for 2 or 3 days.
- The mode switches as shown below each time the RELAY MODE button is pressed.

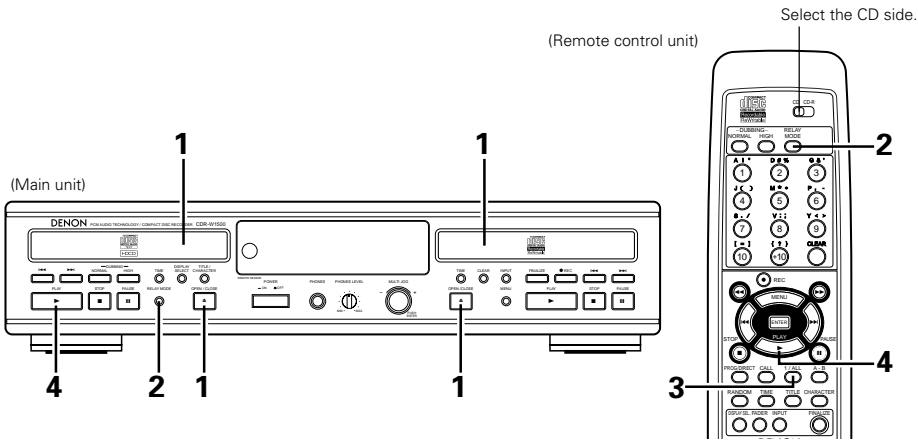


**NOTE:**

- Recording, finalizing and editing are not possible in the relay or mix mode.

**1. Relay play**

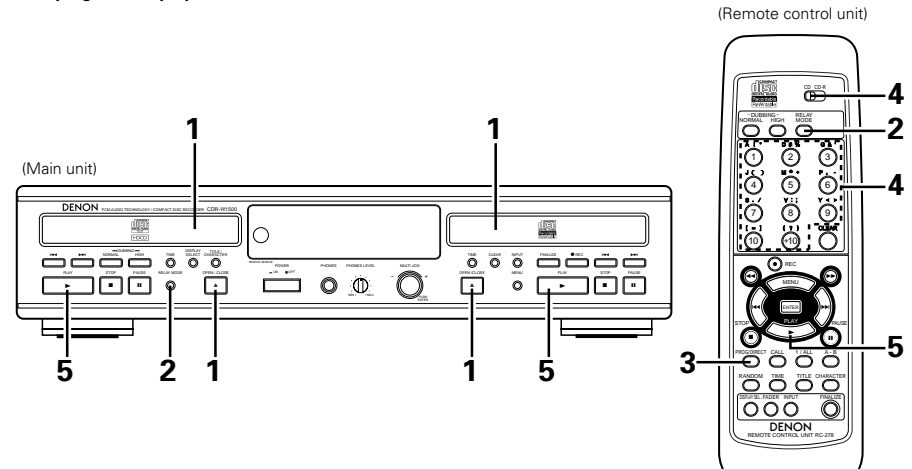
- ★ With the relay play mode it is possible to play the disc in the CD side and the one in the CD-R side, relaying between them.
- ★ The programmed play and random play modes can be preset for the discs in the CD and CD-R units.



**2. Mix mode**

- ★ In the mix mode, programmed play and random play of the disc in the CD unit and the one in the CD-R unit can be performed as if the two discs were a single disc.

**(1) Mix programmed playback**



<b>1</b>	Load the discs you want to play in the CD and CD-R units.						
<b>2</b>	Press the RELAY MODE button and select "Relay Play". • The "RELAY" indicator lights.						
<b>3</b>	Use the CD or CD-R section repeat 1/ALL button on the remote control unit to turn the repeat mode on or off. • The 1-track repeat mode cannot be set in the relay mode. • The relay operation is performed as shown below according to the combination of the relay and repeat modes:						
	<table border="1"> <thead> <tr> <th>Repeat mode</th> <th>Relay operation</th> </tr> </thead> <tbody> <tr> <td>Repeat on: "REPEAT" indicator lit</td> <td> </td> </tr> <tr> <td>Repeat off</td> <td> </td> </tr> </tbody> </table>	Repeat mode	Relay operation	Repeat on: "REPEAT" indicator lit		Repeat off	
Repeat mode	Relay operation						
Repeat on: "REPEAT" indicator lit							
Repeat off							
<b>4</b>	Relay play starts when the CD unit's play button is pressed. • The sound is output from the CD/CD-R output jacks. • To quit the relay mode, press the relay mode button and select "Single Play". • The disc in the side that is not operating can be replaced during relay playback.						

<b>1</b>	Load the discs you want to play in the CD and CD-R units.
<b>2</b>	Press the RELAY MODE button and select "Mix Play". • The "MIX" indicator lights.
<b>3</b>	Press the CD or CD-R unit's PROG/DIRECT button on the remote control unit to set the program mode. • The "PROG" indicator lights.
<b>4</b>	Follow the procedure at "Programmed playback" on Page 21 to program the tracks in the order in which you want to play them. • You can program tracks for both the CD and CD-R units by using the CD/CD-R selector switch on the remote control unit to switch between them. • Up to 30 tracks can be programmed.
<b>5</b>	Mix programmed playback starts when the CD or CD-R unit's play button is pressed. • The sound is output from the CD/CD-R output jacks. • To quit the mix mode, press the relay mode button and select "Single Play".

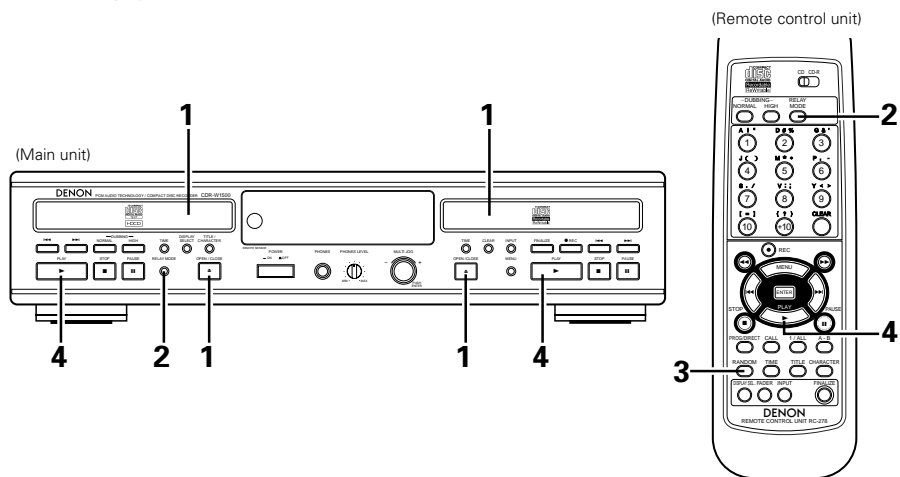
**NOTE:**

- When relaying between a CD and CD-R, the digital data from the CD/CD-R digital output terminal is interrupted momentarily. The digital input of the connected external device is temporarily unlocked at this time.

**NOTE:**

- When relaying between a CD and CD-R, the digital data from the CD/CD-R digital output terminal is interrupted momentarily. The digital input of the connected external device is temporarily unlocked at this time.

(2) Mix random playback



<b>1</b>	Load the discs you want to play in the CD and CD-R units.
<b>2</b>	Press the RELAY MODE button and select "Mix Play". • The "MIX" indicator lights.
<b>3</b>	Press the CD or CD-R unit's RANDOM button on the remote control unit to set the random mode. • The "RAND" indicator lights.
<b>4</b>	Mix random playback starts when the CD or CD-R unit's play button is pressed. • The sound is output from the CD/CD-R output jacks. • To quit the mix mode, press the relay mode button and select "Single Play".

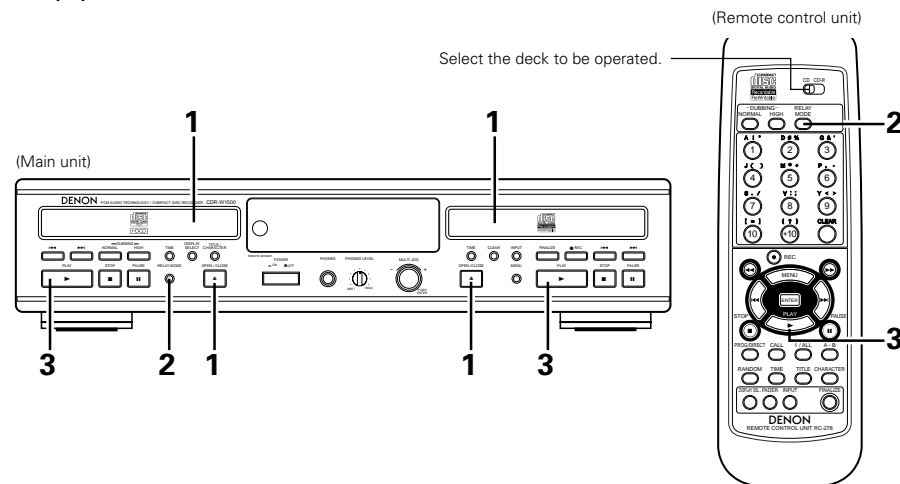
**NOTES:**

- If the program and random mode is not set in the mix mode, the operation is the same as in the relay mode (with the repeat mode off).
- When relaying between a CD and CD-R, the digital data from the CD/CD-R digital output terminal is interrupted momentarily. The digital input of the connected external device is temporarily unlocked at this time.

**3. Dual mode**

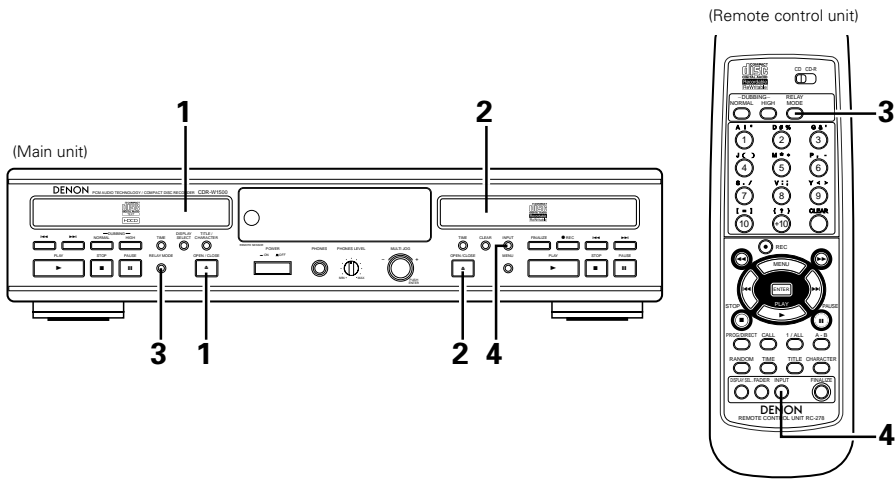
- ★ In the dual mode, the CD unit and CD-R unit can be operated independently.
- ★ Manual recording from the main unit's CD section can be performed.
- ★ It is possible to record from an external unit on the CD-R unit while playing a disc in the CD unit.

(1) Dual playback



<b>1</b>	Load the discs you want to play in the CD and CD-R units.
<b>2</b>	Press the RELAY MODE button and select "Dual Play". • The "DUAL" indicator lights.
<b>3</b>	Dual playback starts when the CD or CD-R unit's play button is pressed. • The sound of the CD is output from the CD-only output jacks and the sound of the CD-R is output from the CD/CD-R output jacks. • Only the sound of the CD-R is output from the headphones jack. • The display can be switched with the DISPLAY SELECT button so that you can check the time information, etc., for the CD and CD-R. • To quit the dual mode, press the relay mode button and select "Single Play".

(2) Manual recording from the CD section



<b>1</b>	Load the CD you want to copy into the CD unit.
<b>2</b>	Load the CD-R/RW onto which you want to record into the CD-R unit.
<b>3</b>	Press the RELAY MODE button and select "Dual Play". • The "DUAL" indicator lights.
<b>4</b>	Press the input selector button and set "CD".
<b>5</b>	Follow the procedure at "Recording From External Devices" on Page 15 - 19 to record. • The display can be switched with the DISPLAY SELECT button so that you can check the time information, etc., for the CD and CD-R. • To quit the dual mode, press the relay mode button and select "Single Play".

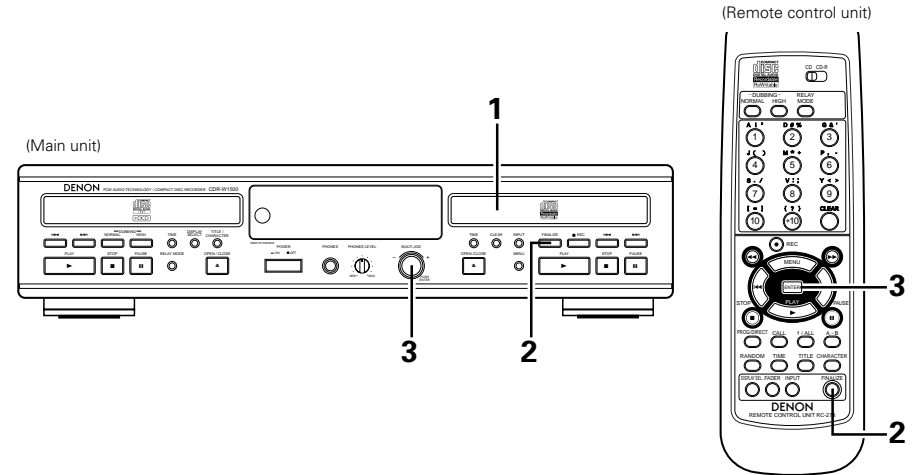
**NOTE:**  
• Only digital signals can be recorded from the CD unit manually.

**15** FINALIZING CD-R/RW DISC

- ★ Finalizing is a simple procedure, necessary to:
  - Be able to play recordings on a CD player,
  - Avoid further unwanted recordings on a disc,
  - Avoid erasure of tracks on a CD-RW.
- ★ This operation is not possible in the relay or mix mode. Switch to the normal or dual mode to perform this operation.
- ★ Close the disc tray and set the stop mode for the CD section.

**(1) Auto finalizing**  
Auto finalizing is possible when using the Make CD recording function. See "Copying Procedure" and "Synchronized recording of the Disc" on Page 13, 18.

**(2) Manual finalizing**



<b>1</b>	Load the CD-R/RW disc that is to be finalized.
<b>2</b>	With the recorder stopped press the FINALIZE button. • "Finalize OK?" is displayed.
<b>3</b>	Press the ENTER button. • The display counts down through the finalization. • On completion, the total number of tracks and the total time recorded appears on the display. • The disc indication of the display will become "CD".

**NOTES:**

- Make sure the disc is absolutely free of scratches and dust particles.
- Finalizing will take at least 2 - 4 minutes.
- During finalization, the CD recorder accepts no operating commands.
- Text data is written to the disc when the disc is finalized. If you want to enter text, this must be done prior to finalizing.
- For information about cancelling CD-RW finalizing, see "Cancellation of CD-RW Disc Finalizing (i.e., Unfinalizing)" on Page 28.
- Never turn off the power or unplug the power cord during finalization. Doing so may render the disc unusable.

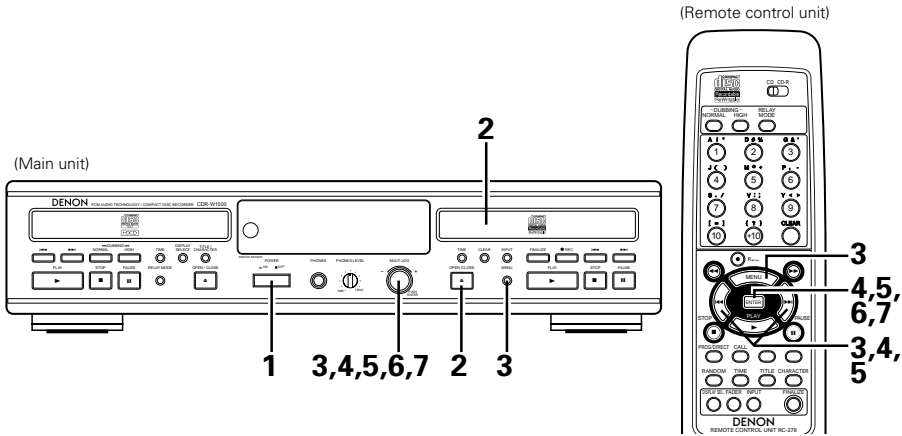
## 16 EDITING

- ★ This operation is not possible in the relay or mix mode. Switch to the normal or dual mode to perform this operation.
- ★ Close the disc tray and set the stop mode for the CD section.

### 1. CD-R/RW editing

#### (1) Cancellation of CD-RW disc finalizing (i.e., Unfinalizing)

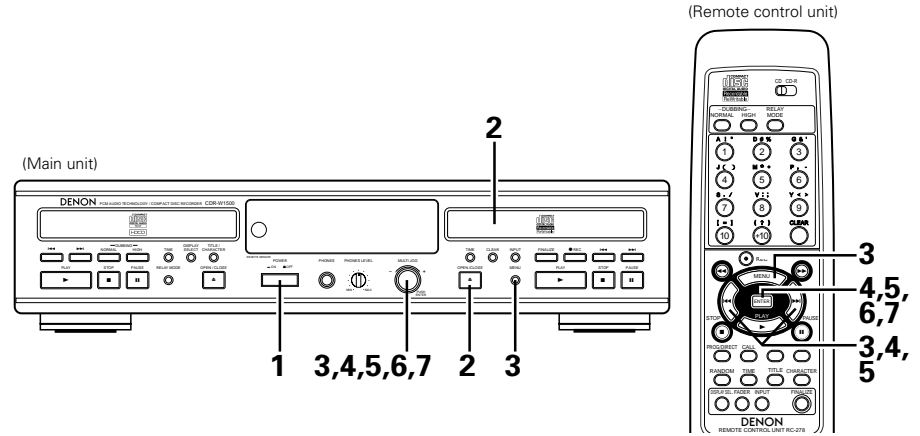
- ★ This operation is valid only for CD-RW discs. Finalizing cannot be cancelled from CD-R discs.
- ★ Use this operation to cancel finalizing when adding further recording to a finalized CD-RW disc.
- ★ Erasing is completed in several minutes.



1	Switch on the power.
2	Load the CD-RW disc for which finalizing is to be cancelled.
3	Press the MENU button, turn the jog dial of the main unit or press the automatic search button of the remote control, and select the CD-R/RW edit mode. • "CD-R/RW Edit?" is displayed.
4	Press the enter button, turn the jog dial of the main unit or press the automatic search button of the remote control, and select the unfinalize mode. • "CD-RW Erase?" is displayed.
5	Now, press the enter button, turn the jog dial of the main unit or press the automatic search button of the remote control, and select the unfinalize mode. • "TOC Erase?" is displayed.
6	Press the enter button. • "Erase OK?" is displayed.
7	Press the enter button again. • "TOC Erase" display is flashing. • When unfinalizing is completed, the disc type display will be "CD-RW".

#### (2) Erasing the tracks

- ★ This operation is valid only for CD-RW discs.
- ★ Use this operation to cancel finalizing when adding further recording to a finalized CD-RW disc and when erasing recorded tracks.
- ★ Erasing is completed in several minutes.

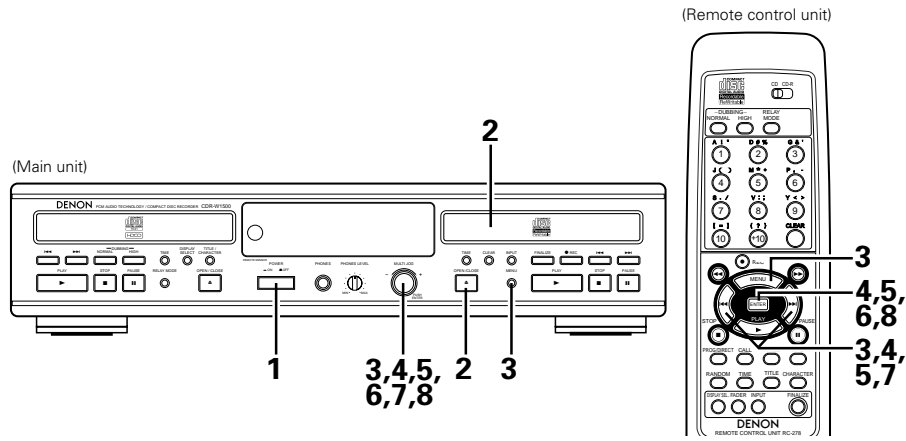


1	Switch on the power.
2	Load the CD-RW disc that is to be erased.
3	Press the MENU button, turn the jog dial of the main unit or press the automatic search button of the remote control, and select the CD-R/RW edit mode. • "CD-R/RW Edit?" is displayed.
4	Press the enter button, turn the jog dial of the main unit or press the automatic search button of the remote control, and select the all tracks erase mode. • "CD-RW Erase?" is displayed.
5	Now, press the enter button, turn the jog dial of the main unit or press the automatic search button of the remote control, and select the all tracks erase mode. • "All Erase?" is displayed.
6	Press the enter button. • "Erase OK?" is displayed.
7	Press the enter button again. • "All Erase" display is flashing. • When erasing is completed, the time display will be "Blank Disc".



**(3) Erasing one or more tracks away from the last track**

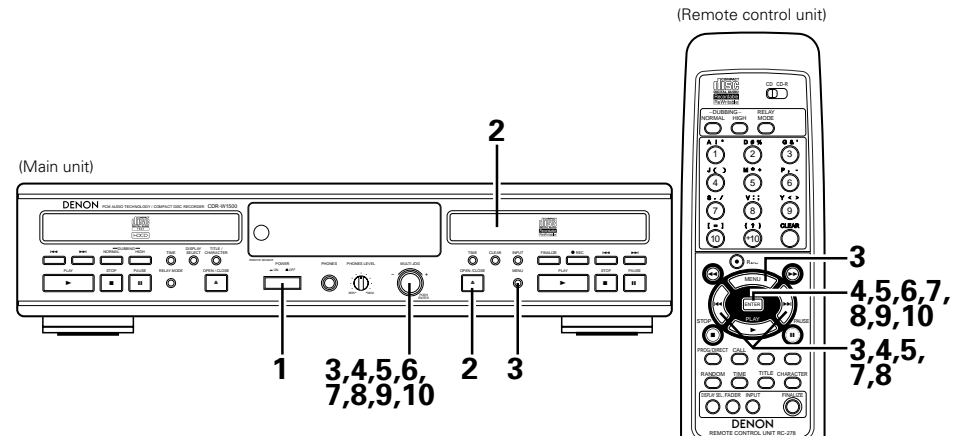
★ When erasing a finalized CD-RW disc, first unfinalize the disc.



<b>1</b>	Switch on the power.
<b>2</b>	Load the CD-RW disc that is to be erased.
<b>3</b>	Press the MENU button, turn the jog dial of the main unit or press the automatic search button of the remote control, and select the CD-R/RW edit mode. • "CD-R/RW Edit?" is displayed.
<b>4</b>	Press the enter button, turn the jog dial of the main unit or press the automatic search button of the remote control, and select the one-track erase mode. • "CD-RW Erase?" is displayed.
<b>5</b>	Now, press the enter button, turn the jog dial of the main unit or press the automatic search button of the remote control, and select the one-track erase mode. • "1Tr Erase?" is displayed.
<b>6</b>	Press the enter button. • "**-**Tr Erase" is displayed.
<b>7</b>	Turn the jog dial of the main unit counterclockwise or press the automatic search REV button of the remote control, and select the number of tracks you want to erase.
<b>8</b>	Press the enter button again. • "Tr Erase" display is flashing. • When erasing is completed, the number of tracks that remain following the erasure are displayed in a portion of the music calendar.

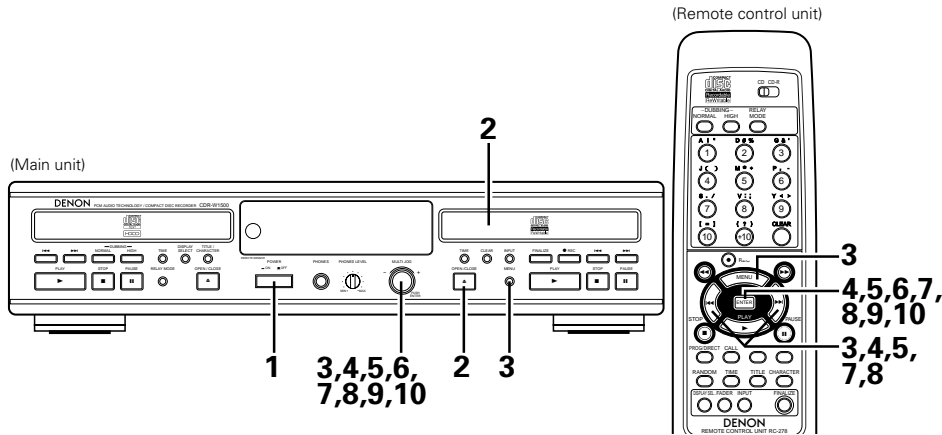
**(4) Registration of the tracks to which you do not wish to listen**

★ Tracks to which you do not wish to listen, such as those containing recording errors, can be set so that they will be skipped over during play.



<b>1</b>	Switch on the power.
<b>2</b>	Load the CD-R/RW disc that contains tracks that you would like to skip in playback.
<b>3</b>	Press the MENU button, turn the jog dial of the main unit or press the automatic search button of the remote control, and select the CD-R/RW edit mode. • "CD-R/RW Edit?" is displayed.
<b>4</b>	Press the enter button, turn the jog dial of the main unit or press the automatic search button of the remote control, and select the skip track setting mode. • "Skip Track?" is displayed.
<b>5</b>	Now, press the enter button, turn the jog dial of the main unit or press the automatic search button of the remote control, and select the skip track setting mode. • "Skip Set?" is displayed.
<b>6</b>	Press the enter button. • "Skip Set --Tr" is displayed.
<b>7</b>	Turn the jog dial of the main unit or press the automatic search button of the remote control, and select the tracks you want to skip. Press the enter button and set. • The music calendar display of the selected track number will flash.
<b>8</b>	Repeat Step 7 to add another track.
<b>9</b>	Press the enter button during the "Skip Set --Tr" display. • "Skip Set OK?" is displayed.
<b>10</b>	Press the enter button. • "Now PMA Rec" is displayed and the registration is completed. • The music calendar display of the selected track number is switched off.
• The total track number and total time displays do not change even if tracks are set to be skipped.	

**(5) Cancelling the registration of tracks to which you do not wish to listen**



<b>1</b>	Switch on the power.
<b>2</b>	Load the CD-R/RW disc for which you want to cancel the settings of undesired tracks.
<b>3</b>	Press the MENU button, turn the jog dial of the main unit or press the automatic search button of the remote control, and select the CD-R/RW edit mode. • "CD-R/RW Edit?" is displayed.
<b>4</b>	Press the enter button, turn the jog dial of the main unit or press the automatic search button of the remote control, and select the skip track setting mode. • "Skip Track?" is displayed.
<b>5</b>	Now, press the enter button, turn the jog dial of the main unit or press the automatic search button of the remote control, and select the skip track setting cancellation mode. • "Skip Clear?" is displayed.
<b>6</b>	Press the enter button. • "S.Clear --Tr" is displayed.
<b>7</b>	Turn the jog dial of the main unit or press the automatic search button of the remote control, and select the track you want to cancel. Press the enter button and set. • The music calendar display of the selected track number will flash.
<b>8</b>	Repeat Step 7 to add another cancellation.
<b>9</b>	Press the enter button during the "S.Clear --Tr" display. • "SkipClearOK?" is displayed.
<b>10</b>	Press the enter button. • "Now PMA Rec" is displayed and the registration is completed.

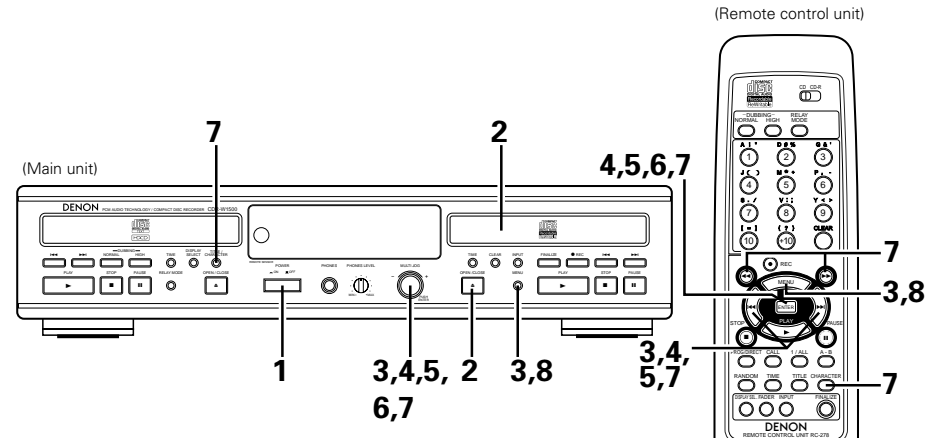
**NOTES:**

- Finalizing the disc when tracks to which you do not want to listen have been registered, results in the skip play mode automatically being switched on.
- Skip play is not possible on CD players that lack a skip play function.
- Tracks to which you do not want to listen can be registered/cancelled 21 times.
- Program play and random play are not possible when there has been registration of tracks to which you do not want to listen. (Programmed and random playback are possible once finalization is performed.)
- It is not possible to register or cancel tracks you do not want to hear with store-bought CDs or CD-R/RW discs that have been finalized.

**2. Text editings**

- Up to 23 characters can be input for the track and disc titles.

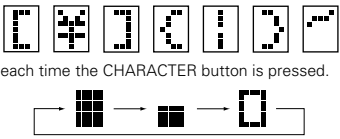
**(1) Adding disc titles**



<b>1</b>	Switch on the power.
<b>2</b>	Load the CD-R/RW disc to which the disc name will be affixed.
<b>3</b>	Press the MENU button, turn the jog dial of the main unit or press the automatic search button of the remote control, and select the TEXT edit mode. • "Text Edit?" is displayed.
<b>4</b>	Press the enter button, turn the jog dial of the main unit or press the automatic search button of the remote control to display "Text In?".
<b>5</b>	Now, press the enter button, turn the jog dial of the main unit or press the automatic search button of the remote control to display "Disc Title?".
<b>6</b>	Press the ENTER button. • The cursor flashes, indicating the title input standby mode.

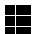


Input the title.

- Either turn the jog dial on the main unit or use the automatic search buttons (◀◀ and ▶▶) on the remote control unit to select the desired character.
- Some characters that can be input on the CDR-W1500 cannot be displayed on other models.



- The shape of the cursor changes each time the CHARACTER button is pressed.

[Explanation of cursor:]

 .....Capital letter/number input mode     
  .....Special character input mode  
 .....Small letter/number input mode

[Available characters and numbers]

Capital letter/number input mode:  
 ABCDEFGHIJKLMNOPQRSTUVWXYZ0123456789

Small letter/number input mode:  
 abcdefghijklmnopqrstuvwxyz0123456789

Special character input mode:  
 SPACE \_ ! " # \$ % & ' ( ) \* + , - . / : ; < = > ? @ [ \ ] ^ \_ ` { | } ~

- When the manual search forward button (▶▶) or the ENTER button is pressed, the selected character is set, and the unit is set to the input standby mode for the next character.
- The cursor can be moved back by pressing the manual search reverse button (◀◀). Use this to correct input characters.

**7** Press the MENU button to enter the input title.

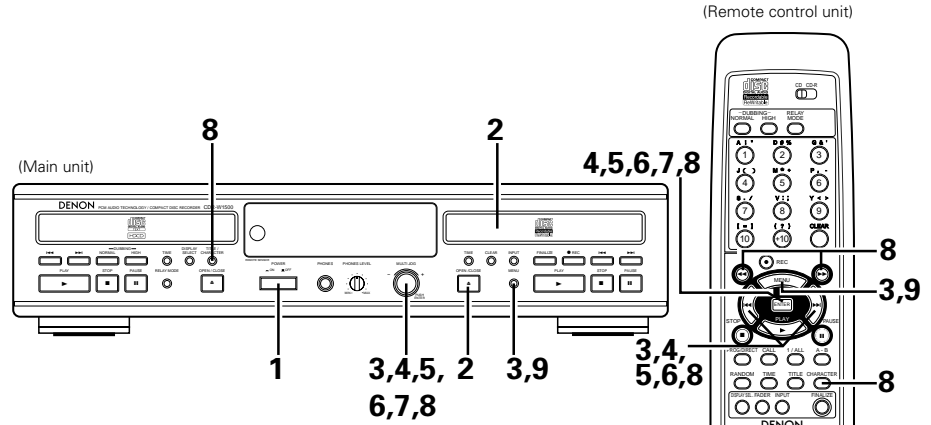
- To erase a character, move the cursor to that character then press the CLEAR button.
- To correct a character, first erase it, then input the correct character.

\* Turn the jog dial to input numbers or special characters not on the number keys or the +10 key.

**[Example:]**  
 To input “%” using the number keys on the remote control unit, press button 2 twice in the special character input mode.

Button	Capital letter input mode	Small letter input mode	Special character input mode
1	ABC	abc	! " ' ( ) * + , - . / : ; < = > ? @ [ \ ] ^ _ ` {   } ~
2	DEF	def	# %
3	GHI	ghi	& ' ( )
4	JKL	jkl	( )
5	MNO	mno	* +
6	PQR	pqr	, -
7	STU	stu	. /
8	VWX	vwx	: ;
9	YZ	yz	< >
10	-	-	[ = ]
+10	-	-	{ ? }

**(2) Adding track titles**



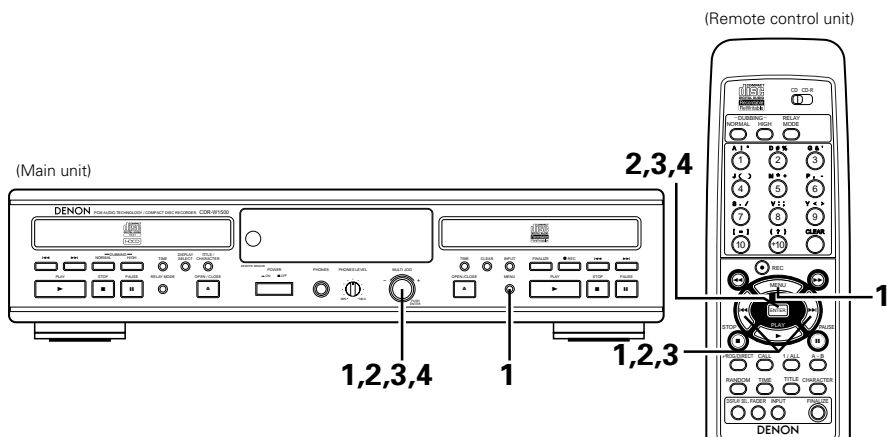
- 1 Switch on the power.
- 2 Load the CD-R/RW disc to which the track name will be affixed.
- 3 Press the MENU button, turn the jog dial of the main unit or press the automatic search button of the remote control, and select the TEXT edit mode.
  - “Text Edit?” is displayed.
- 4 Press the enter button, turn the jog dial of the main unit or press the automatic search button of the remote control to display “Text In?”.
- 5 Now, press the enter button, turn the jog dial of the main unit or press the automatic search button of the remote control to display “Track Title?”.
- 6 Press the enter button again, turn the jog dial of the main unit or press the automatic search button of the remote control, and select the track to which you would like to affix a track name.
  - “\*\*Tr Title?” is displayed.
- 7 Press the ENTER button.
  - The cursor flashes, indicating the title input standby mode.
- 8 Input the title.
  - For instructions on inputting titles, see step 7 under “(1) Adding disc titles” on Page 31.
- 9 Press the MENU button to enter the input track title.

**NOTES:**

- Text editing is not possible with commercial audio CDs or with finalized CD-R/RW discs.
- A maximum of 23 characters can be stored per item. Approximately 900 characters can be input per disc.
- Entered text information is not written to the disc until the disc is finalized.
- Even when the power source is disconnected, the text information is stored for 2 to 3 days after being entered when the disc has not been finalized. This text information might be lost if the unit is disconnected from the power source for a long time.

**(3) Erasing disc titles**

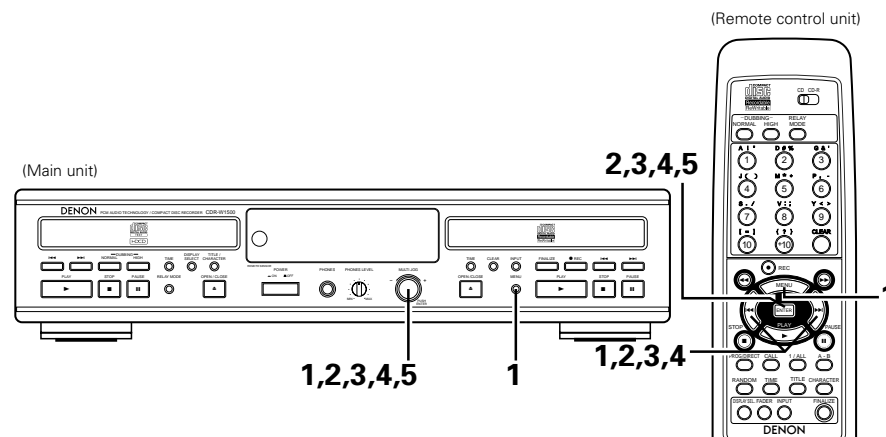
★ For finalized CD-RW discs, first unfinalize.



<b>1</b>	Press the MENU button, turn the jog dial of the main unit or press the automatic search button of the remote control, and select the TEXT edit mode. • "Text Edit?" is displayed.
<b>2</b>	Press the enter button, turn the jog dial of the main unit or press the automatic search button of the remote control to display "Text Erase?".
<b>3</b>	Now, press the enter button, turn the jog dial of the main unit or press the automatic search button of the remote control to display "Disc Title?".
<b>4</b>	Press the enter button to define the erasure of the disc name. • "Complete" is displayed.

**(4) Erasing track titles**

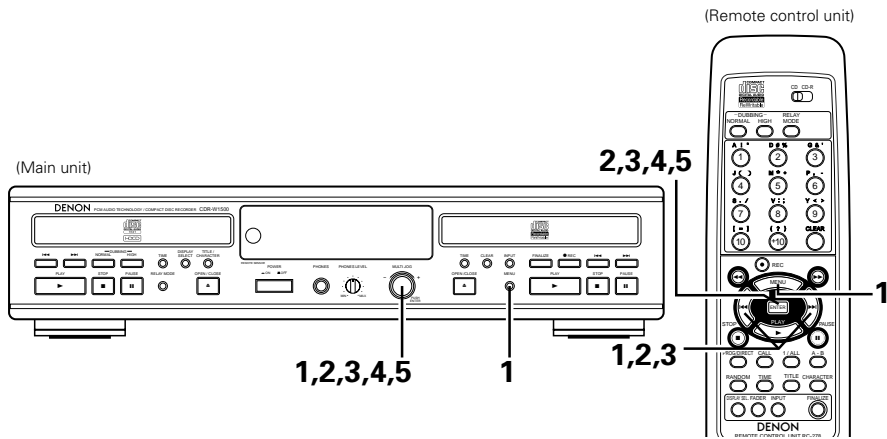
★ For finalized CD-RW discs, first unfinalize.



<b>1</b>	Press the MENU button, turn the jog dial of the main unit or press the automatic search button of the remote control, and select the TEXT edit mode. • "Text Edit?" is displayed.
<b>2</b>	Press the enter button, turn the jog dial of the main unit or press the automatic search button of the remote control to display "Text Erase?".
<b>3</b>	Now, press the enter button, turn the jog dial of the main unit or press the automatic search button of the remote control to display "Track Title?".
<b>4</b>	Press the enter button again, turn the jog dial of the main unit or press the automatic search button of the remote control, and select the track for which the track name will be erased. • "**Tr Title?" is displayed.
<b>5</b>	Press the enter button to define the erasure of the disc name. • "Complete" is displayed.

**(5) Erasing all the track titles and the disc title**

★ For finalized CD-RW discs, first unfinalize.

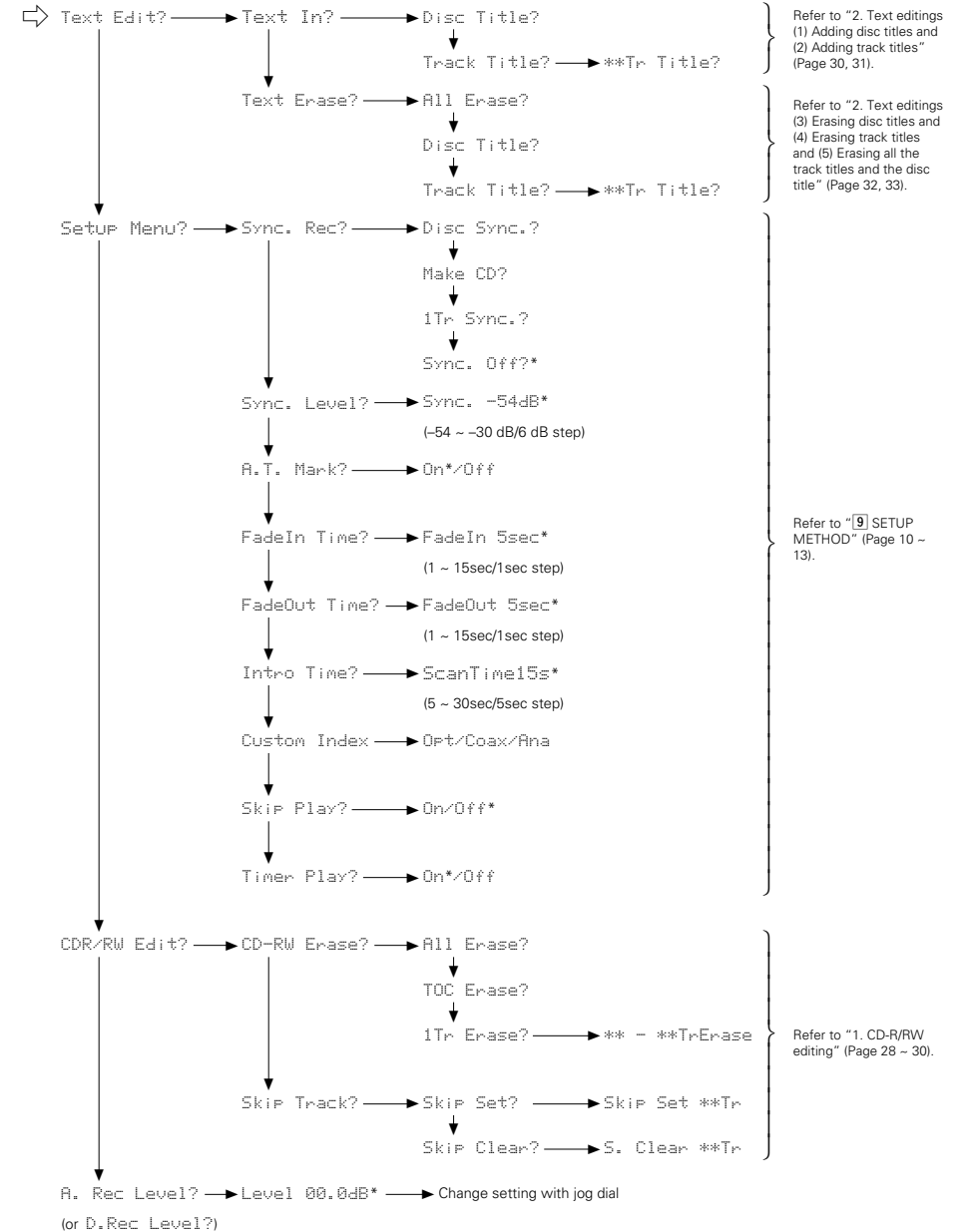


<b>1</b>	Press the MENU button, turn the jog dial of the main unit or press the automatic search button of the remote control, and select the TEXT edit mode. • "Text Edit?" is displayed.
<b>2</b>	Press the enter button, turn the jog dial of the main unit or press the automatic search button of the remote control to display "Text Erase?".
<b>3</b>	Now, press the enter button, turn the jog dial of the main unit or press the automatic search button of the remote control to display "All Erase?".
<b>4</b>	Press the enter button. • "Erase OK?" is displayed.
<b>5</b>	Press the enter button to define the one erasure. • "Complete" is displayed.
<b>NOTE:</b> • Erasure of text is not possible with commercial audio CDs or with finalized CD-R/RW discs.	

**17 MENU MODE**

- When the MENU button is pressed, the menu mode is set and the set can be operated as shown on the diagram below.
- Close the disc trays and set the stop mode for both the CD and CD-R sections.
- "\*" indicates default values.
- Turn the jog dial clockwise to proceed to the "↓" display indicator. Press the ENTER button to proceed to the "→" display indicator.

**MENU MODE**



## 18 MESSAGES

Messages may appear on the display while using the CDR-W1500. The meanings of these messages are explained below.

Message	Meaning
TOC Reading	Reading disc information.
Open	During tray opening.
Close	During tray closing.
No Disc	No disc inserted, disc unreadable or disc inserted upside down.
Use Audio CD	Inserted disc is no audio CD.
Now PMA Rec	Updating disc contents.
Disc Full	No more recording possible.
Copy Prohibit	No digital recording can be made of the connected source. See "Digital Copies" on Page 6. Data signals other than audio signals have been input. These signals are not recorded.
Finalize *.*:**	Time countdown when finalizing a disc.
PlaybackOnly	When trying to record on a finalized CD-R or a prerecorded CD.
Now OPC	During laser power calibration for unfinalized discs.
OPC Error	OPC failure during OPC procedure (OPC = Optimum Power Calibration)
Rec Error	An error has occurred during recording.
Disc Error	Recording or finalization is not possible due to a disc fault.
Blank Disc	When attempting to edit text for a disc which has no tracks.
No Name	No text stored for disc.
Sync. -**dB	Setting value of the synchro recording starting level.
Dig.Unlock	There is an incomplete connection of the digital input jack during digital input recording, or the input signal is not being input properly due to some other factor.

Message	Meaning
Name Full	23 text characters have already been input or a total of 900 characters have already been input.
Mecha Error	Disc is not operating properly.
All Skip Tr	Skip is set for all tracks.
Complete	Mode reception has been completed.
TextEraseOK?	If the disc is removed, all the text information is cleared.
CD-R Short	The recordable time on the disc is shorter than the time of the recording source you are trying to copy.
Text Protect	The text information is copy-protected so the text cannot be copied in the copy mode.
Now Tr Check	The CD side track information is being checked.

("\*" indicates a letter or character.)

## 19 TROUBLESHOOTING

### Check Again Before Assuming The Player is Malfunctioning

- Are all the connections correct ?
- Are you following the instructions in the manual ?
- Are the amplifier and speakers operating properly ?

If the CDR-W1500 does not seem to be functioning properly, check the table below. If this does not solve the problem, the CDR-W1500 may be damaged. Turn off the power, unplug the power cord from the power outlet, and contact your store of purchase or nearest DENON sales office.

Symptom	Check	Page
No power.	<ul style="list-style-type: none"> <li>• Ensure that the POWER button is on.</li> <li>• Ensure that the mains cable is plugged in correctly.</li> </ul>	8 7
Auto track does not work.	<ul style="list-style-type: none"> <li>• Check if auto track is selected.</li> <li>• Check if there are 3 seconds silence in between the tracks.</li> <li>• Check if the source is a consumer source with the digital output according to the IEC audio standard.</li> </ul>	11 6 -
No sound.	<ul style="list-style-type: none"> <li>• Check the audio connections.</li> <li>• If using an amplifier, try using a different source.</li> </ul>	7 7
Amplifier sound is distorted.	<ul style="list-style-type: none"> <li>• Check that the CD recorder analog output is not connected to the amplifier Phono input.</li> </ul>	7
Play will not start.	<ul style="list-style-type: none"> <li>• Ensure that the label of the CD is facing up.</li> <li>• Clean the disc.</li> </ul>	10 6
Remote control does not work.	<ul style="list-style-type: none"> <li>• Point the remote control directly at the CD recorder.</li> <li>• Check the batteries and replace if necessary.</li> </ul>	9 9
Will not record.	<ul style="list-style-type: none"> <li>• Clean the disc.</li> <li>• Check if CD-R is an unfinalized disc.</li> <li>• Check that the disc is recordable and replace if necessary.</li> <li>• Check whether there is time remaining on the disc. ("Disc Full" is displayed.)</li> <li>• Check whether there is an attempt to digitally record a digitally recorded source. ("Copy Prohibit" is displayed.)</li> <li>• Check whether the recording level adjustment is suitable.</li> <li>• The disc is not an AUDIO disc ("Use Audio CD" is displayed).</li> <li>• Wrong input source chosen. Input label flashing.</li> </ul>	6 - 5 7 6 16 6 8
Recording is distorted.	<ul style="list-style-type: none"> <li>• Make sure the recording level is correct.</li> </ul>	16
10 second pause between recordings.	<ul style="list-style-type: none"> <li>• See setting the synchro recording level.</li> </ul>	11
"Disc Error" on the display.	<ul style="list-style-type: none"> <li>• If then appears on the display, the disc cannot be recorded further, and cannot be finalized. But it can still be played on the CD recorder or another CD recorder. "Disc Error"</li> </ul>	-
A recorded CD-R disc cannot be played on another player or CD unit.	<ul style="list-style-type: none"> <li>• Finalize the disc.</li> <li>• Is playback possible on another CD player? If so, clean the pickup of the player on which the disc could not be played.</li> <li>• CD-R discs cannot be played on some CD players.</li> </ul>	6, 27 - -
Copying, recording, finalize and editing of CD-R/RW is not possible.	<ul style="list-style-type: none"> <li>• Is the relay mode set to "RELAY" or "MIX"? Switch to "SINGLE" or "DUAL".</li> </ul>	24
Menu mode cannot be set. Finalizing is not possible.	<ul style="list-style-type: none"> <li>• Is the disc tray for the CD or CD-R section open? Close the disc trays for both the CD and CD-R sections.</li> <li>• Is the CD or CD-R section operating? Set the stop mode for both the CD and CD-R sections.</li> </ul>	27, 33 27, 33

## 20 MAIN SPECIFICATIONS

- **Audio:** CD unit: CD-R unit (for digital editing)
- **Frequency response:** 2 Hz to 20 kHz: 2 Hz to 20 kHz
- **Dynamic range:** 98 dB: 88 dB
- **S/N ratio:** 105 dB: 100 dB
- **Harmonic distortion:** 0.003 % (1 kHz): 0.01 % (1 kHz)
- **Wow & flutter:** Below measurable limits ( $\pm 0.001$  % W. peak)
- **Usable discs:** CDs (12 cm/8 cm)  
Recorded audio CD-R discs for private use (CD-R unit)  
Recorded audio CD-RW discs for private use (CD-R unit)
- **General:**
- **Power supply:** AC 120 V, 60 Hz
- **Power consumption:** 29 W
- **Maximum external dimensions:** 434 (width) x 101 (height) x 330 (depth) mm (including feet, knobs and terminals)
- **Mass:** 5.5 kg
- **Remote control unit:** RC-278
- **Remote control system:** Infrared pulse
- **Power supply:** DC 3 V, using two R6P (AA) batteries

\* Design and specifications are subject to change without notice in the course of product improvement.

## IMPORTANT POUR LA SECURITE

**AVERTISSEMENT:**  
AFIN D'EVITER LES RISQUES D'INCENDIE OU D'ELECTROCUTION, NE PAS EXPOSER CET APPAREIL A LA PLUIE OU A L'HUMIDITE.

## ATTENTION:

- Manipulez le câble d'alimentation avec précautions**  
Ne pas endommager ou déformer le câble d'alimentation. Si celui-ci est endommagé ou déformé, il risque de provoquer une électrocution ou un dysfonctionnement de l'appareil. Pour le débrancher le câble d'alimentation de la prise du secteur, assurez-vous de le tirer en le tenant par la prise et non pas par le fil.
- Ne pas ouvrir le couvercle supérieur**  
Afin d'éviter tout risque d'électrocution, ne pas ouvrir le couvercle supérieur. En cas de problème, contactez votre AGENT DENON.
- Ne rien mettre à l'intérieur**  
Ne placer aucun objet métallique ou ne renverser aucun liquide à l'intérieur du graveur de CD. Cela risque de provoquer une électrocution ou un dysfonctionnement.

Veillez noter et conserver le nom du modèle et le numéro de série de votre appareil indiqués sur l'étiquette de caractéristiques.

N° de modèle CDR-W1500 N° de série.

Nous vous remercions de l'achat de l'enregistreur de CD DENON. Lire attentivement le mode d'emploi afin de vous familiariser avec l'enregistreur de CD et d'obtenir une satisfaction maximale de l'appareil.

Assurez-vous de conserver ce manuel pour référence future en cas de question ou de problème.

Veillez vérifier que les éléments suivants sont inclus dans le carton d'emballage avec l'appareil:

- |  |   |
|--|---|
| (1) Unité centrale .....                       | 1 |
| (2) Télécommande RC-278 .....                  | 1 |
| (3) Pile sèche R6P/AA .....                    | 2 |
| (4) Cordon de connexion .....                  | 2 |
| (5) Mode d'emploi .....                        | 1 |
| (6) Liste des stations techniques agréées..... | 1 |

## TABLE DES MATIERES

<b>1</b> FONCTIONS .....	36
<b>2</b> PRECAUTIONS PENDANT L'UTILISATION .....	36
<b>3</b> AU SUJET DES DISQUES CD-R/RW .....	36, 37
<b>4</b> MANIPULATION DES DISQUES ET PRECAUTIONS A PRENDRE .....	37, 38
<b>5</b> RESTRICTIONS IMPOSEES PAR LES NORMES SUR LES CD-R/RW .....	38
<b>6</b> CONNEXIONS .....	38
<b>7</b> NOMS DES COMPOSANTS ET LEURS FONCTIONS .....	39, 40
<b>8</b> TELECOMMANDE .....	40, 41
<b>9</b> METHODE DE PARAMETRAGE .....	41 ~ 44
<b>10</b> PROCEDURE DE COPIE .....	44 ~ 46
<b>11</b> ENREGISTREMENT A PARTIR DE SOURCES EXTERNES .....	46 ~ 50
<b>12</b> LECTURE NORMALE .....	50
<b>13</b> DIVERSES FONCTIONS DE LECTURE .....	51 ~ 55
<b>14</b> MODE RELAIS .....	55 ~ 58
<b>15</b> FINALISATION DE DISQUES CD-R/RW .....	58
<b>16</b> EDITION .....	59 ~ 64
<b>17</b> MODE MENU .....	64
<b>18</b> MESSAGES .....	65
<b>19</b> DEPISTAGE DES PANNES .....	66
<b>20</b> CARACTERISTIQUES PRINCIPALES .....	66

## REMARQUE:

Ce graveur de CD utilise une diode laser. Pour vous permettre d'apprécier la musique que procure un fonctionnement stable, il est recommandé d'utiliser cet appareil dans une pièce à température ambiante comprise entre 10 et 30 °C (50 à 86 °F).

## • Lieu d'installation

Pour assurer une ventilation adéquate, laissez un espace minimum de 10 cm tout autour et au-dessus de l'appareil et retirez tout objet pouvant y faire obstruction.

**1** FONCTIONS

## 1. Diverses fonctions de copie

- Cet appareil possède plusieurs modes de copie très pratiques : "Disc dubbing" (Copie de disque) pour la copie de disques entiers, "Make CD dubbing" (Copie complète de disque) pour la copie de disques entiers avec finalisation automatique, "1-track dubbing" (Copie d'une piste) pour la copie de piste unique et "Scan record dubbing" (Copie de pistes sélectionnées) pour la sélection des pistes à enregistrer pendant la vérification du contenu de CD et la copie des pistes sélectionnées.

- Deux vitesses de copie sont disponibles : vitesse normale et double vitesse.

## 2. Enregistrement à partir de sources externes

- Cet appareil dispose de trois fonctions pratiques d'enregistrement synchronisé : "Disc synchro recording" (Enregistrement synchronisé de disque) pour l'enregistrement d'un album côté source, "Make CD recording" (Enregistrement complet de disque) pour l'enregistrement synchronisé de disque avec finalisation automatique et "Track synchro recording" (Enregistrement synchronisé de piste) pour l'enregistrement d'une piste à la fois. Il est aussi possible d'effectuer un enregistrement manuel.

## 3. Une abondance de fonctions de lecture

- Grâce à la combinaison d'un lecteur et d'un graveur de CD, cet appareil dispose de trois modes de lecture différents : "Relay play" (Lecture en relais) pour la lecture en relais du disque dans le lecteur de CD et celui dans le graveur CD-R, "Mix play" (Lecture mixte) pour une lecture programmée ou aléatoire des disques dans les deux unités comme s'il s'agissait d'un seul disque et "Dual play" (Lecture double) avec lequel chaque unités peut être commandée indépendamment.
- Cet appareil permet la lecture programmée, la lecture aléatoire et les modes de lecture à répétition de toutes les pistes, d'une seule piste ou A-B.

## 4. Une riche variété de jacks d'entrée numérique

- En plus des jacks d'entrée analogique, cet appareil est équipé d'un total de deux jacks d'entrée numérique. Il possède aussi un jack d'entrée numérique optique pour une utilisation avec des sources numériques telles que les CD, MD et émissions satellite et un jack d'entrée numérique coaxial.

## 5. Est équipé d'un convertisseur de taux d'échantillonnage

- Ce convertisseur permet l'enregistrement direct d'entrée numérique provenant de DAT ou d'émissions satellite (32 kHz, 48 kHz) qui possèdent des fréquences d'échantillonnage différentes de 44,1 kHz utilisée avec les CD.

## 6. Fonction de saisie de texte et d'affichage

- Le titre de l'album et les noms de piste individuelle peuvent être saisis et affichés pour les disques CD-R/RW enregistrés.

7. Equipé d'un décodeur **FD**®, **HD**CD® (High Definition Compatible Digital®) (Décodeur numérique compatible haute définition) (Unité CD)

**FD**CD®, **HD**CD®, High Definition Compatible Digital® (Digital Compatible Haute Définition) et Pacific Microsonics™ sont des marques déposées ou des marques de Pacific Microsonics, Inc. aux États-Unis et/ou dans d'autres pays. Système **HD**CD manufacturé sous licence de Pacific Microsonics, Inc. Ce produit est protégé par un ou plusieurs brevets d'invention: Aux États-Unis: 5,479,168, 5,638,074, 5,640,161, 5,808,574, 5,838,274, 5,854,600, 5,872,531, 5,864,311. En Australie: 669114. D'autres brevets en instance.

**2** PRECAUTIONS PENDANT L'UTILISATION

- Si le graveur subit un fort impact pendant la sélection de piste ou la recherche, la vitesse de rotation du disque change de manière importante et émet un petit bruit. C'est normal et n'indique pas un dysfonctionnement du graveur.
- Si le graveur de CD est utilisé pendant la réception d'une émission FM ou AM, des bruits parasites risquent d'affecter cette dernière. Dans ce cas, veuillez couper l'alimentation du graveur de CD.
- Le CDR-W1500 possède une gamme dynamique très étendue. Prenez garde lorsque vous augmentez le volume de l'amplificateur quand le volume de lecture est bas. Si le volume est réglé trop fort, les enceintes risquent d'être endommagées.
- L'installation de ce graveur ou de ses connexions près d'une télévision ou tout autre appareil audio peut provoquer l'émission d'un bourdonnement. Si cela se produit, déplacez le graveur ou modifiez le cheminement des câbles de raccordement.
- Ne pas oublier pas de retirer le disque du graveur avant de la déplacer. Si un disque est laissé dans le graveur pendant son déplacement, il risque d'être endommagé.
- Ne placer aucun objet dans le tiroir à la place du disque ou ouvrir et refermer le tiroir si quelque chose se trouve à l'intérieur. Tout objet étranger risque d'endommager le mécanisme de la platine.
- Ne pas déplacer soudainement le graveur d'un endroit froid à un endroit chaud. De la condensation risque de se former et de provoquer des dysfonctionnements du graveur. Si de la condensation se forme sur le graveur lorsqu'il est amené dans une pièce chaude, attendez au moins 30 minutes avant de l'utiliser.

**3** AU SUJET DES DISQUES CD-R/RW

## Disques pouvant être utilisés avec cet appareil

## Disques CD-R et CD-RW

Assurez-vous d'utiliser des disques portant les marques suivantes pour enregistrer avec cet appareil.

## • Disques CD-R



## • Disques CD-RW



et une indication telle que "POUR LE CONSOMMATEUR", "POUR UTILISATION PAR LE CONSOMMATEUR" ou "POUR UNE UTILISATION MUSICALE UNIQUEMENT".

- \* L'enregistrement est impossible avec des disques ne portant pas les marques énumérées ci-dessus.

## Disques CD

Cet appareil utilise des CD (disques optiques numériques audio) portant la marque située à droite.



Notez que les CD de forme spéciale, comme ceux en forme de cœur ou hexagonaux ne peuvent être utilisés. Ne pas tenter d'utiliser de tels CD car ils risquent d'endommager cet appareil.



## CD avec texte

Cet appareil peut afficher les textes d'information lors de la lecture de CD qui comportent ces textes, dans la catégorie anglaise.

Les CD avec texte se repèrent à la marque indiquée à droite.



## REMARQUE:

- Cet appareil permet l'affichage de textes composés avec les types de caractère suivants. Tous les autres types de caractère seront affichés ainsi " \_ ".
  - Alphabétiques  
ABCDEFGHIJKLMNPOQRSTUVWXYZ  
abcde fghijklmnopqrstuvwxyz
  - Chiffres  
0123456789
  - Symboles  
! " # \$ % & ' ( ) \* + , - . / : ; < = > ? @ [ \ ] ^ \_ ` { | } ~ SPACE

## Méthodes d'enregistrement sur disque

## ■ Disques CD-R

- Les disques CD-R comportent une couche pigmentée destinée à l'enregistrement. Lorsque cette couche est exposée au rayon laser d'enregistrement, une modification de forme se produit à la limite avec le plastique et permet l'enregistrement du signal. Les données sont enregistrées de manière permanente pour toute la durée de vie du disque.
- Après l'enregistrement, les disques finalisés peuvent être joués sur lecteurs de CD ordinaires.

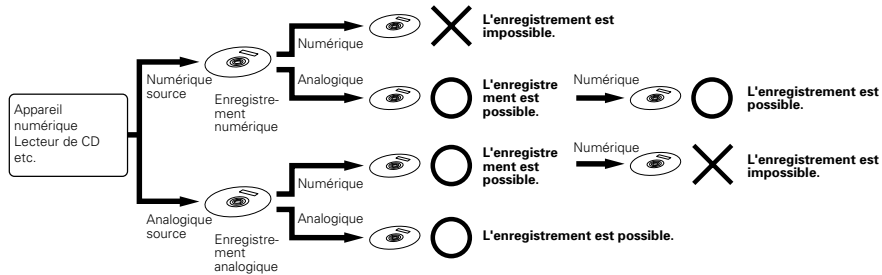
## ■ Disques CD-RW

- Les disques CD-RW comportent une couche de changement de phase. Le procédé d'enregistrement modifie cette couche pour la faire passer d'un état cristallin (réfléchissant) à un état non-cristallin (opaque).
- Les informations enregistrées peuvent être effacées des disques CD-RW. Le disque peut être effacé en totalité ou en partie en effaçant seulement les pistes spécifiées, en remontant par la dernière.
- Les disques CD-RW finalisés peuvent être joués sur les lecteurs de CD conçus à cet effet ainsi que sur les graveurs de CD.



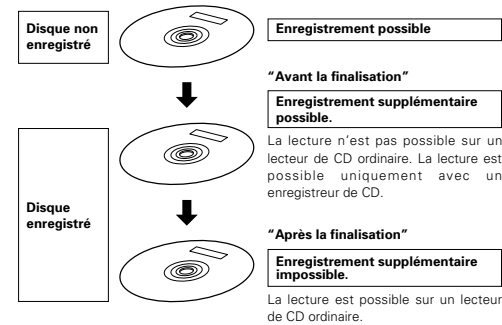
## Copies numériques

Un disque CD-R/RW qui a déjà été enregistré par une entrée numérique ne peut plus être enregistré numériquement (c'est à dire, copié) sur un autre disque CD-R/RW ou MD, etc.. C'est une norme établie par le SCMS (Serial Copy Management System) (Système de gestion de copie en série).



## Finalisation du traitement de disques CD-R

Après l'enregistrement d'un disque CD-R, la finalisation est nécessaire afin de permettre la lecture sur un lecteur de CD ordinaire.



## REMARQUES:

- Dès qu'un disque CD-R est finalisé, l'enregistrement supplémentaire ne sera plus possible.
- L'information qui a été enregistrée sur un disque CD-R ne peut pas être effacée.

## Finalisation du traitement de disques CD-RW

Les disques CD-RW ne peuvent pas être lus sur un lecteur de CD ordinaire, même avec le traitement de finalisation. La lecture est possible seulement sur des enregistreurs ou lecteurs de CD appropriés aux disques CD-RW. Il est également à noter que les disques CD-RW peuvent être effacés après la finalisation.

## Numéros de piste: Fonction de marquage de piste automatique

\* L'enregistrement en mode synchronisé (C'est à dire l'enregistrement synchronisé de disque, l'enregistrement synchronisé de piste et l'enregistrement avec finalisation automatique) signifie aussi attribution automatique des numéros de piste. La manière dont les pistes sont attribuées diffère entre enregistrements numériques et analogiques, selon les conditions, de la façon suivante.

## ■ Enregistrement à partir d'une entrée analogique

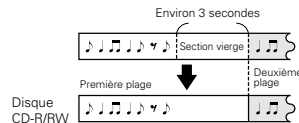
- Lors de l'enregistrement numérique d'un CD, les numéros de piste sont mis à jour à l'instant de détection du premier son suivant un changement de piste.
- Lors d'enregistrements numériques de MD, les numéros de piste seront attribués automatiquement, exactement comme sur l'original.
- Lors d'enregistrements à partir d'un DAT, un numéro de piste est attribué lorsque qu'un changement de piste est détecté par l'identification d'introduction.
- Lors d'enregistrements d'émissions satellite ou de tout autre équipement numérique, la détection d'une section vierge d'environ 3 secondes ou plus, déclenche la fonction de marquage automatique des pistes et l'attribution automatique de numéros de piste comme pour l'enregistrement analogique.
  - Le numéro de piste risque de ne pas être attribué au bon endroit lorsque le blanc de séparation de pistes comporte beaucoup de bruit.
  - Le numéro de piste peut changer si le niveau du signal descend très bas dans le cours d'une piste.

## ■ Enregistrement à partir d'une entrée numérique

Les numéros de piste seront automatiquement associés lorsqu'une section vierge d'environ 3 secondes ou plus est détectée.

- Lorsque le signal d'entrée est affecté par du bruit ou toute autre interférence, le numéro de piste peut être placé en position incorrecte.
- Le numéro de piste peut changer si le niveau du signal descend très bas dans le cours d'une piste.

\* L'activation ou la désactivation de la fonction de marquage automatique des pistes est possible en enregistrement manuel (Voir "Réglage de la fonction de marquage automatique des numéros de piste ATM", page 42).



## 4 MANIPULATION DES DISQUES ET PRECAUTIONS A PRENDRE

## Manipulation des disques

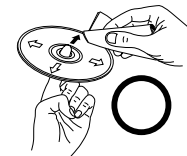
Eviter de toucher la surface du disque lors de son insertion et de son retrait.

Faire attention aux traces de doigt sur la surface d'enregistrement du signal.

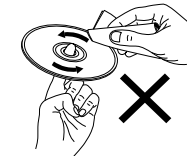


## Nettoyage du disque

- Lorsque le disque est marqué de traces de doigt ou de la saleté, l'essuyer avant son utilisation. La saleté n'affectera pas le signal du disque, mais la qualité sonore risque de diminuer et le son peut sautiller. Remarque que lorsque la surface d'un disque CD-R/RW est sale, l'enregistrement ne peut pas être fait correctement.
- Pour essuyer le disque, utiliser un kit de nettoyage de disque disponible dans le commerce ou un chiffon doux.



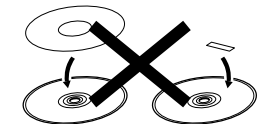
Essayer légèrement la surface du disque en partant du centre vers les bords.



Ne pas essuyer en faisant un cercle.

## REMARQUES:

- Ne pas coller d'étiquette disponible dans le commerce ou tout autre autocollant sur un disque. Cela risque de rendre le disque impossible à enregistrer ou à lire correctement.



- Ne pas utiliser des aérosols ou des produits anti-statiques. Ne pas utiliser du benzène, un diluant ou d'autres produits chimiques volatils.



## Précautions de manipulation

- Ne pas laisser des traces de doigt, de graisse ou de la saleté sur la surface du disque.
- Veiller à ne pas rayer la surface, en particulier lors du retrait ou en rangeant le disque dans son boîtier.
- Ne pas plier le disque.
- Ne pas chauffer le disque.
- Ne pas agrandir le trou au centre.
- Ne pas écrire sur la surface de l'étiquette (exple la face imprimée) avec un stylo à bille ou un crayon.
- Des gouttelettes d'eau peuvent se former à la surface du disque lorsqu'il est amené brusquement d'un endroit froid à un endroit chaud. Si cela se produit, ne pas sécher le disque avec un sèche-cheveux.

## Précautions de stockage

- S'assurer d'éjecter le disque après la lecture.
- Toujours retourner le disque dans son boîtier pour éviter la poussière, des rayures, et une déformation.
- Ne pas laisser le disque dans des endroits suivants:
  1. Endroits où il est exposé aux rayons directs du soleil pendant de longues périodes.
  2. Endroits très humides ou poussiéreux.
  3. Endroits où il est exposé à la chaleur provenant d'un radiateur.

## REMARQUES:

- Lors d'enregistrements d'une source analogique contenant un niveau de signal trop faible dans le cours d'une piste ou d'une source numérique autre que CD/MD/DAT, désactivez la fonction de marquage automatique des pistes, effectuez alors un enregistrement manuel et associez les numéros de piste manuellement.
- Lorsque le niveau d'enregistrement est réglé trop bas pendant l'enregistrement d'une source analogique ou d'une source numérique autre que les CD/MD/DAT, les numéros de piste risquent de ne pas être associés au bon endroit. Veuillez régler le niveau d'enregistrement à une valeur appropriée.

### Précautions lors du chargement des disques

- Charger uniquement un disque. L'empilement de deux disques ou plus risque de causer une panne et de rayer les disques.
- Les disques de 8 cm doivent être centrés avec soin sur l'épaulement de guidage du disque et chargés sans utiliser d'adaptateur. S'il n'est pas chargé correctement, le disque peut tomber ou le tiroir porte-disque risque de ne plus s'ouvrir.
- Prendre garde de ne pas se faire prendre les doigts lors de la fermeture du tiroir porte-disque.
- Ne placer aucun autre objet, à part un disque, sur le tiroir porte-disque.
- Ne pas utiliser de disques craqués, déformés ou réparés avec de l'adhésif, etc.
- Ne pas utiliser de disques comportant du ruban adhésif en cellophane, d'étiquette de location ou des restants d'adhésif venant d'être retiré. Si un tel disque est utilisé, il risque d'être impossible à éjecter ou bien de causer une panne.

## 5 RESTRICTIONS IMPOSEES PAR LES NORMES SUR LES CD-R/RW

- ★ Les normes concernant la lecture avec graveur de CD ont été établies sur les normes existantes pour lecteurs CD ; cependant, pour l'enregistrement, la méthode diffère de celle utilisée avec les platines magnétocassette et enregistreurs de MD, etc. Dans cette optique, veuillez-vous familiariser avec les restrictions sur les disques CD-R/RW suivantes et profiter de ce support.

### Restrictions sur les disques CD-R/RW audio

- Seuls les disques CD-R/W audio peuvent être enregistrés avec cet appareil. Le message "Use Audio CD" (Disque incorrect) s'affiche lorsque tout autre type de disque autre que audio est chargé, comme les CD-R/W d'utilisation avec ordinateur personnel par exemple (Voir "Disques pouvant être utilisés avec cet appareil", page 36).
- Les disques CD-R ne peuvent être enregistrés qu'une seule fois. Les données enregistrées ne peuvent être effacées.
- Les données enregistrées sur les disques CD-RW peuvent être effacées. Lorsque ce type de disque est défini, l'opération d'effacement des données de finalisation a été effectuée (Voir "Annulation de la finalisation de disques CD-RW", page 59).
- Les erreurs d'enregistrement effectuées avec les disques CD-R ne peuvent être effacées; il est donc recommandé de ne pas utiliser de disque CD-RW avant de s'être familiarisé avec l'opération d'enregistrement.

### Restrictions sur l'enregistrement avec cet appareil

- La procédure d'enregistrement est la même que pour les disques CD-R et CD-RW.
- Lors d'enregistrement additionnel sur un disque enregistré précédemment, la fin de la dernière piste est détectée et l'enregistrement commence à partir de ce point.
- Le mode attente d'enregistrement ne peut être activé avec les disques CD-R/RW dont le temps d'enregistrement restant est d'environ 8 secondes ou moins. Le message "Disc Full" (Disque plein) s'affiche à ce moment-là.
- 99 pistes peuvent être enregistrées au maximum sur un disque CD-R/W. Lorsque l'enregistrement atteint la 99ème piste, le message "Disc Full" (Disque plein) s'affiche et il est impossible d'enregistrer au delà de cette piste.
- L'enregistrement numérique est impossible à partir de disques CD-R/W déjà été enregistrés numériquement, l'enregistrement normal est possible à partir de MD ou de DAT, etc. Lorsque l'on tente d'effectuer un enregistrement numérique à partir de telles sources, le message "Copy Prohibit" s'affiche. Pour enregistrer ce type de sources numériques, effectuez l'enregistrement à partir de l'entrée analogique (Voir "Copies numériques", page 37).
- Cet appareil ne peut pas enregistrer les CD-ROM et les sources non audio. Lorsque l'on tente d'effectuer un enregistrement à partir de telles sources, le message "Copy Prohibit" s'affiche.
- Lorsqu'un enregistrement effectué à partir d'un disque comprenant des données autres que des signaux audio tels que les CD graphiques ou de textes, seul le signal audio est enregistré ; les autres données ne sont pas enregistrées.
- Les DVD (Les signaux Dolby Digital, DTS et autres signaux audio compressés) ne peuvent être enregistrés.

### Compatibilité avec les autres lecteurs CD et disques

- Le procédé de finalisation des CD-R enregistrés avec cet appareil permet à ces disques de pouvoir être joués sur les lecteurs CD ordinaires. (Voir "Finalisation de disques CD-R/W", page 58).
- Le procédé de finalisation des CD-RW enregistrés avec cet appareil permet à ces disques de pouvoir être joués sur des lecteurs CD conçus pour être utilisés avec les disques CD-RW ou sur d'autres graveurs de CD. (Voir "Finalisation du traitement de disques CD-RW", page 37).

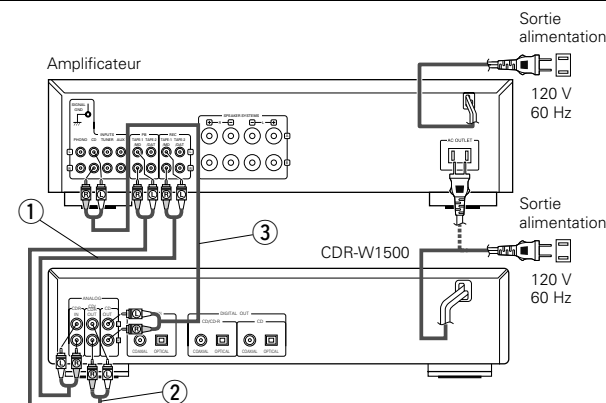
#### REMARQUES:

- Pour assurer un enregistrement précis, enregistrez à une température ambiante de 30 °C ou moins.
- Ne pas obstruer les ouïes de ventilation au-dessus.
- L'enregistrement peut s'arrêter si l'appareil est soumis à des chocs pendant l'enregistrement. Si l'enregistrement s'arrête, il est possible que le disque ne soit plus utilisable normalement.

## 6 CONNEXIONS

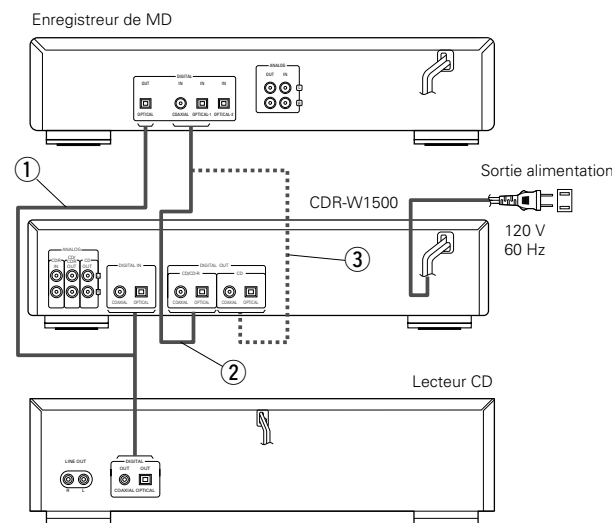
### (1) Connexions des jacks d'entrée/sortie analogiques

- Utilisez le câble fourni à cet effet pour effectuer les connexions aux jacks d'entrée/sortie analogiques.
- 1 **Entrée:**  
Connectez les jacks d'entrée analogique (ANALOG IN) de cet appareil avec les jacks de sortie de l'amplificateur (MD ou TAPE).
  - 2 **Sortie:**  
Connectez les jacks de sortie analogique (ANALOG OUT) de cet appareil avec les jacks d'entrée de l'amplificateur (MD ou TAPE).
  - 3 **Sortie vers CD uniquement:**  
Seul le son du côté CD est émis. Connectez aux jacks d'entrée de l'amplificateur (CD, etc.).
- ★ En mode dual, seul le son du côté CD-R est émis à partir des jacks de sortie CD/CD-R, donc cette connexion est nécessaire.



### (2) Connexion des jacks d'entrée/sortie numérique

- Veuillez utiliser des câbles à fibre optique disponibles dans le commerce pour effectuer les connexions aux jacks d'entrée/sortie numérique (OPTICAL). Utilisez un câble à connecteur de 75 Ω/ohms, disponible sur le marché pour effectuer les connexions aux jacks d'entrée/sortie numérique (COAXIAL).
- 1 **Entrée:**  
**Connexions à des équipements de lecture tels que les lecteurs CD**  
Les jacks d'entrée numérique de cet appareil (Entrée numérique optique "DIGITAL IN OPTICAL" ou Entrée numérique coaxiale "DIGITAL IN COAXIAL") doivent être connectés aux jacks de sortie numérique du lecteur CD (OPTIQUE ou COAXIAL).
  - 2 **Sortie**  
**Connexions à des équipements ayant une entrée numérique telle qu'un enregistreur de MD.**  
Les jacks de sortie numérique de cet appareil (Sortie numérique optique "DIGITAL OUT OPTICAL" ou Sortie numérique coaxiale "DIGITAL OUT COAXIAL") doivent être connectés aux jacks d'entrée numérique de l'enregistreur de MD ou d'un autre appareil (OPTICAL ou COAXIAL).
  - 3 **Sortie CD uniquement:**  
Seul le son du côté CD est émis. Connectez aux jacks d'entrée numérique d'un enregistreur de MD, etc.



#### REMARQUES:

- Ne pas brancher le câble d'alimentation à une prise du secteur avant d'avoir effectué toutes les connexions.
- Connectez la fiche rouge du câble dans le jack du canal droit "R" et la fiche blanche dans le jack du canal gauche "L".
- Ne rien connecter au jack "PHONO" de l'amplificateur. Dans le cas contraire, l'appareil risque d'être endommagé.
- Branchez le câble d'alimentation à la prise du secteur avec fermeté. Une connexion imparfaite risque de produire du bruit.
- Le fait de rassembler tous les câbles de raccordement ensemble avec le câble d'alimentation produira un bourdonnement ou d'autres bruits parasites.
- Lorsque la prise du câble d'alimentation est débranchée de la prise du secteur, attendez environ 5 secondes avant de la rebrancher.

## 7 NOMS DES COMPOSANTS ET LEURS FONCTIONS

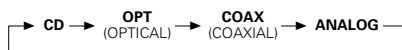
### Panneau avant

- 1 Touche d'alimentation**
- Met le graveur de CD sous tension (ON) et hors tension (OFF).
- 2 Jack de sortie casque (PHONES)**
- Jack pour casque d'écouteurs.
- 3 Commande de niveau casque (PHONES LEVEL)**
- S'utilise pour régler le volume du casque.
- 4 Capteur de télécommande (REMOTE SENSOR)**
- Reçoit les signaux de la télécommande.
- 5 Tiroir porte-disque (CD)**
- Les CD du commerce et les disques CD-R/RW finalisés peuvent être lus.

- 6 Touche de sélection de l'affichage (DISPLAY SELECT)**
- L'affichage se commut chaque fois que l'on appuie sur cette touche.



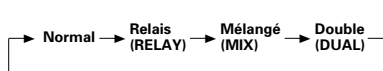
- 7 Touche titre/caractère (TITLE/CHARACTER)**
- Lorsque l'on appuie sur cette touche pendant que le mode est réglé sur CD ou CD-R, le texte d'information du CD s'affiche.
  - Lorsque du texte est en cours de saisie, les caractères changent.
- 8 Touche d'entrée (INPUT)**
- Sélectionne la source d'entrée.
  - La commutation se fait de la façon suivante à chaque pression sur cette touche.



\* La commutation n'est pas permise pendant l'enregistrement.

- 9 Touches de commande de l'unité CD**
- ▶ : Utilisez cette touche pour lancer la lecture.
  - : Utilisez cette touche pour arrêter la lecture.
  - || : Utilisez cette touche pour mettre la lecture en pause.
  - ◀▶ : Utilisez cette touche pour vous déplacer au début des pistes.
  - ▲ : Utilisez cette touche pour ouvrir et refermer le tiroir porte-disque.
  - TIME : Utilisez cette touche pour passer de l'affichage du temps écoulé au temps restant de la piste et au temps total restant.

- 10 Touche de mode relais (RELAY MODE)**
- Le mode se commut chaque fois que l'on appuie sur cette touche.



- 11 Touche de finalisation (FINALIZE)**
- Appuyez sur cette touche pour effectuer la finalisation.

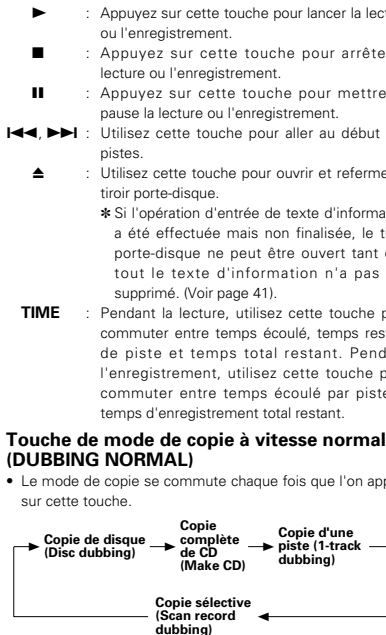
- 12 Touche d'effacement (CLEAR)**
- Utilisez cette touche pour supprimer des pistes programmées ou entrer des caractères de texte.
  - Lorsque l'on appuie sur cette touche en mode menu, l'appareil revient au mode précédent.
- 13 Touche de menu (MENU)**
- Cette touche est utilisée lors de l'entrée des titres de disque et de piste et pour des opérations d'édition telles que l'effacement de disques CD-RW.

- 14 Sélecteur multiple Jog (MULTI JOG)**
- Commande du niveau d'enregistrement (Recording).
  - S'utilise pour sélectionner les réglages (Mode Menu).

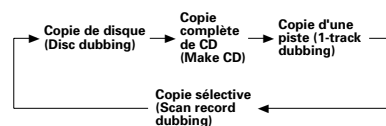
- 15 Touche d'enregistrement (● REC)**
- Appuyez sur cette touche pour enregistrer.
  - Le mode attente d'enregistrement s'active lorsque l'on appuie sur la touche d'enregistrement (● REC) uniquement.
  - Appuyez sur la touche de lecture ▶ PLAY) en mode attente d'enregistrement pour lancer l'enregistrement.
  - Pour arrêter l'enregistrement ou pour annuler le mode attente d'enregistrement, appuyez sur la touche d'arrêt (■ STOP).

- 16 Tiroir porte-disque (CD-R)**
- 17 Touches de commande CD-R**
- ▶ : Appuyez sur cette touche pour lancer la lecture ou l'enregistrement.
  - : Appuyez sur cette touche pour arrêter la lecture ou l'enregistrement.
  - || : Appuyez sur cette touche pour mettre en pause la lecture ou l'enregistrement.
  - ◀▶ : Utilisez cette touche pour aller au début des pistes.
  - ▲ : Utilisez cette touche pour ouvrir et refermer le tiroir porte-disque.
  - \* Si l'opération d'entrée de texte d'information a été effectuée mais non finalisée, le tiroir porte-disque ne peut être ouvert tant que tout le texte d'information n'a pas été supprimé. (Voir page 41).
  - TIME : Pendant la lecture, utilisez cette touche pour commuter entre temps écoulé, temps restant de piste et temps total restant. Pendant l'enregistrement, utilisez cette touche pour commuter entre temps écoulé par piste et temps d'enregistrement total restant.

- 18 Touche de mode de copie à vitesse normale (DUBBING NORMAL)**
- Le mode de copie se commut chaque fois que l'on appuie sur cette touche.



- 19 Touche de mode de copie à double vitesse (DUBBING HIGH)**
- Le mode de copie à double vitesse se commut chaque fois que l'on appuie sur cette touche.



- 20 Affichage**
- Ecran d'information.

### Panneau arrière

- 21 Jacks de sortie analogique CD/CD-R (ANALOG OUT CD/CD-R)**
- Connectez cette sortie à l'entrée de ligne d'un amplificateur (gauche et droite).
  - En mode dual (double), seul le son côté CD-R est émis.

- 22 Jacks d'entrée analogique (ANALOG IN CD-R)**
- Connectez cette sortie à la sortie de ligne d'un amplificateur (gauche et droite).

- 23 Jacks de sortie numérique CD/CD-R (DIGITAL OUT CD/CD-R COAXIAL)**
- Connectez cette sortie à l'entrée numérique coaxiale de l'amplificateur ou du dispositif d'enregistrement.
  - En mode dual (double), seules les données numériques du côté CD-R sont émises.

- 24 Jacks de sortie numérique CD/CD-R (DIGITAL OUT CD/CD-R OPTICAL)**
- Connectez cette sortie à l'entrée numérique coaxiale de l'amplificateur ou du dispositif d'enregistrement.
  - En mode dual (double), seules les données numériques du côté CD-R sont émises.

- 25 Jacks d'entrée numérique (DIGITAL IN COAXIAL)**
- Connectez cette entrée à la sortie numérique coaxiale d'une source numérique externe.

- 26 Jacks d'entrée numérique (DIGITAL IN OPTICAL)**
- Connectez cette entrée à la sortie optique numérique d'une source numérique externe.

- 27 Jacks de sortie analogique de CD uniquement (ANALOG OUT CD)**
- Dans tous les modes, seul le son côté CD-R est émis.

- 28 Jack de sortie numérique de CD uniquement (DIGITAL OUT COAXIAL)**
- Dans tous les modes, seules les données numériques du côté CD sont émises.

- 29 Jack de sortie numérique de CD uniquement (DIGITAL OUT OPTICAL)**
- Dans tous les modes, seules les données numériques du côté CD sont émises.

### Indications d'affichage

- 1 Affichage du mode (CD-R)**
- **CD:** Un CD (disque CD préenregistré, disque CD-R ou CD-RW finalisé) est chargé.
  - **CD-R:** Un CD-R non finalisé est chargé.
  - **CD-RW:** Un CD-RW non finalisé est chargé.
  - **●:** S'allume pendant l'enregistrement.
  - **▶:** S'allume pendant la lecture et l'enregistrement.
  - **||:** La fonction de pause est activée.
  - **PROG:** S'allume en mode programmation.

- **1 Tr. SYNC:** L'enregistrement synchronisé est activé.
- **RAND:** Lit les pistes en ordre aléatoire.
- **A.T.M.:** Indicateur de la fonction de marquage automatique des pistes.
- **D.in:** Cet indicateur s'allume lorsqu'une des entrées numériques (digital) est sélectionnée. Si cet indicateur clignote après avoir effectué l'opération d'enregistrement, vérifiez les connexions des jacks d'entrée numérique.
- **FADE:** Clignote pendant l'opération de fondu de début ou de fin de piste.
- **I ▲ :** S'allume lorsque l'heure du graveur CD-R est affiché.
- **SKIP:** S'allume lorsqu'une piste est réglée pour être sautée.
- **ON:** S'allume lorsque le mode lecture avec saut de pistes est activé.

### 2 Affichage du mode (CD)

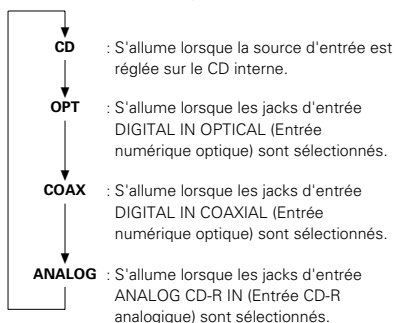
- **CD:** S'allume lorsqu'un disque est chargé.
- **RAND:** Indicateur de lecture aléatoire.
- **PROG:** Indicateur de mode de programmation.
- **||:** Indicateur de pause.
- **▶:** Indicateur de lecture.
- **I ▲ :** S'allume lorsque l'heure du lecteur CD est affichée.
- **HDCC:** S'allume lors de la lecture de disques enregistrés au format HDCC.

### 3 Affichage du mode partagé

- **REPEAT, 1:** S'allume lorsqu'une piste ou un disque complet (ou un programme) est lu à répétition. \* Désactivé (Off) lorsque le temps des unités CD et CD-R sont affichés en même temps.
- **REPEAT A-B:** S'allume en mode de lecture à répétition A-B. \* Désactivé (Off) lorsque les temps des unités CD et CD-R sont affichés en même temps.
- **SINGLE, TOTAL:** Indicateur de mode d'affichage du temps. \* Désactivé (Off) lorsque les temps des unités CD et CD-R sont affichés en même temps.
- **DUBB:** S'allume en mode de copie à vitesse normale.
- **DUBB HIGH:** S'allume en mode de copie à double vitesse.
- **MIX:** S'allume en mode de copie mixte (Unités CD et CD-R) mode.
- **RELAY:** S'allume en mode de copie relais entre les unités CD et CD-R.
- **DUAL:** S'allume en mode de copie double CD et CD-R.

**4 Affichage de la source d'entrée**

- Each press of the input switching button (INPUT) causes the indicators to light as described below.

**5 Affichage du calendrier musical**

- Pistes sur un disque ou dans un programme.
- Piste en lecture/enregistrement.
- \* Désactivé (Off) lorsque les temps des unités CD et CD-R sont affichés en même temps.

**6 Affichage multiple**

- Cet affichage indique le nombre de pistes, numéro de piste, temps de lecture, temps d'enregistrement, diverses information de fonctionnement, message en texte, etc.
- Lorsque les temps des CD et CD-R sont affichés simultanément, le temps CD-R est affiché.

**7 Indicateur de niveau**

- Barre indicatrice de niveau d'enregistrement, indique le niveau du signal audio.
- Lorsque l'unité CD-R est réglée en mode d'enregistrement, le niveau d'entrée est affiché.

**8 Affichage du numéro de piste**

- Lorsque le disque comporte du texte d'information, le numéro de piste est affiché.
- Lorsque les temps des CD et CD-R sont affichés simultanément, le numéro de piste du CD est affiché.

**9 Affichage du temps**

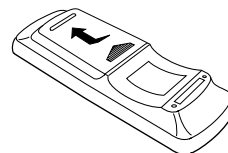
- Lorsque le disque comporte du texte d'information, le temps est affiché.
- Lorsque les temps des CD et CD-R sont affichés simultanément, le temps du CD est affiché.

**8 TELECOMMANDE**

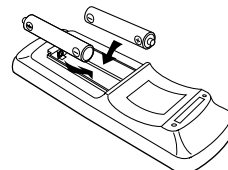
- La télécommande fournie (RC-278) peut être utilisée pour faire fonctionner le CDR-W1500 à distance.

**Insertion des piles**

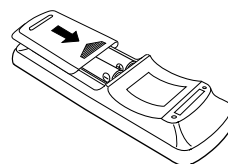
- ① Retirez la trappe du compartiment des piles à l'arrière de la télécommande.



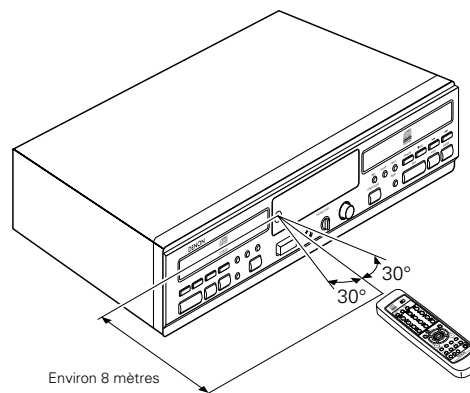
- ② Insérez les deux piles R6P (AA) dans le compartiment, en respectant les polarités indiquées à l'intérieur.



- ③ Remettez en place la trappe du compartiment des piles.

**Précautions à prendre avec les piles**

- Utilisez des piles de type R6P (AA) dans la télécommande.
- Les piles doivent être remplacées par des neuves au bout d'environ un an, bien que cela dépende de la fréquence d'utilisation de la télécommande.
- Même si les piles ont moins d'un an, remplacez-les par des piles neuves si la télécommande ne fonctionne pas même à courte distance de l'unité principale.
- La pile fournie ne sert que pour la vérification du fonctionnement. La remplacer par une neuve le plus tôt possible.
- Lors de l'insertion de nouvelles piles, attendez environ deux minutes après les avoir retirées avant d'insérer les nouvelles.
- Veillez à respecter les polarités des piles "⊕" et "⊖", comme indiqué par les repères à l'intérieur du compartiment des piles de la télécommande.
- Retirez les piles lorsque la télécommande ne doit pas être utilisée pendant une longue période.
- Pour éviter les explosions et les fuites de fluide :
  - Ne pas utiliser une des vieilles piles avec une neuve.
  - Ne pas mélanger deux types de piles différents.
  - Ne pas court-circuiter les piles, les démonter, les chauffer ou les jeter au feu.
- Si une fuite de fluide de pile se produit, essuyez toute trace de fluide dans le compartiment et remplacez les piles par des neuves.

**Utilisation de la télécommande**

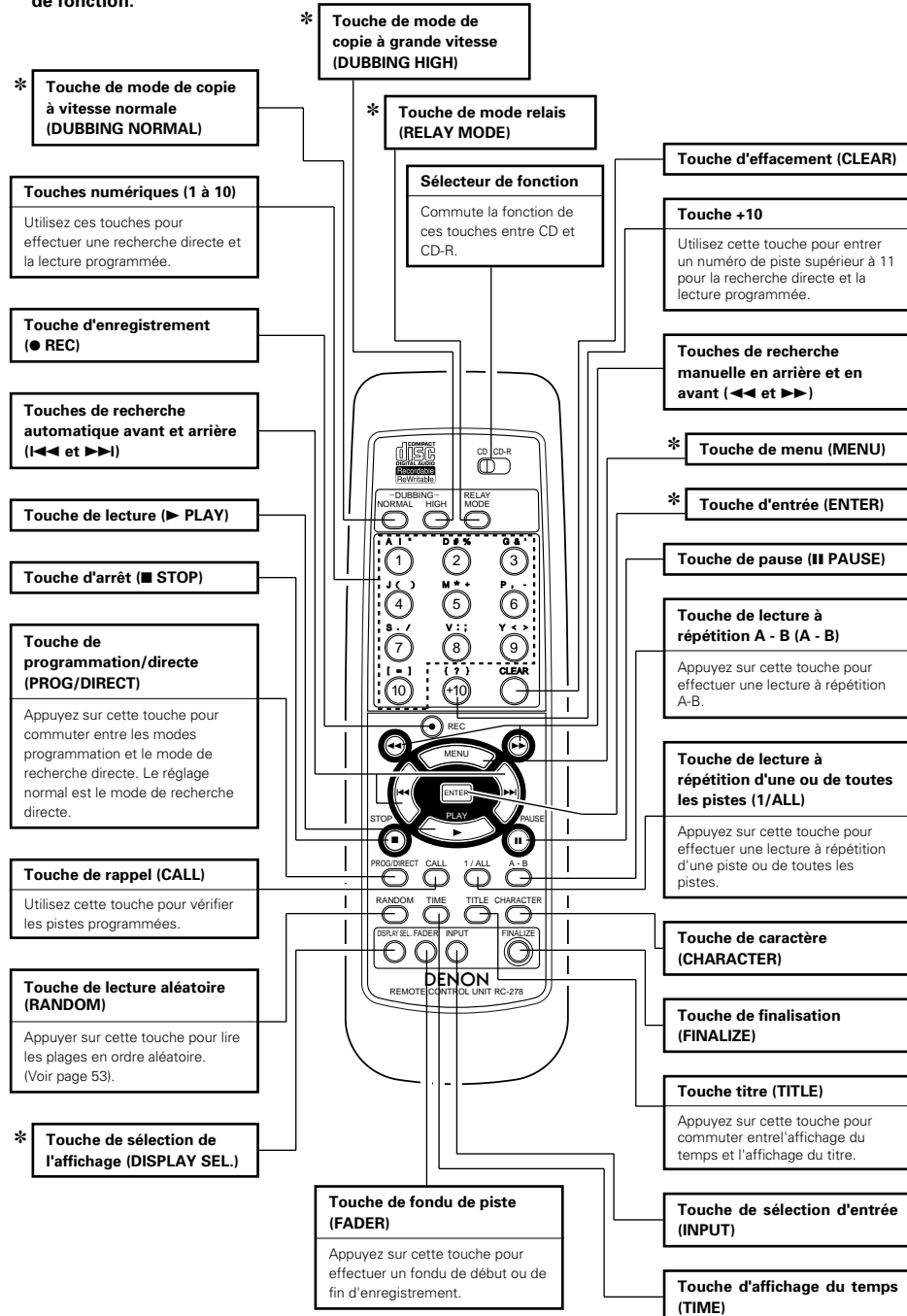
- Lors de l'utilisation de la télécommande, dirigez-la vers l'unité principale comme illustré dans le schéma.
- La télécommande peut fonctionner à une distance en ligne droite d'environ 8 mètres de l'unité principale. Cette distance peut être plus courte en présence d'obstacles ou lorsque la télécommande est utilisée à un angle par rapport à l'unité principale. (la télécommande fonctionne à un angle sur le plan horizontal allant jusqu'à environ 30°).

**REMARQUES:**

- La télécommande peut ne pas fonctionner si le capteur de télécommande est exposé directement au soleil ou à une forte source de lumière artificielle ou encore si un obstacle se trouve intercalé entre la télécommande et son capteur sur l'unité principale.
- Ne pas appuyer sur les touches sur l'unité principale et la télécommande en même temps. Cela provoquerait un dysfonctionnement.

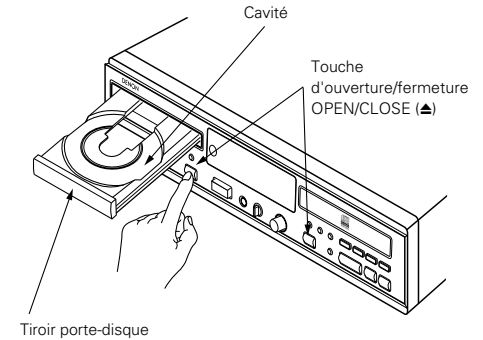
**Noms et fonctions des touches de la télécommande**

- Les touches non expliquées ici fonctionnent de la même façon que les touches correspondantes de l'unité principale.
- Les touches marquées "\*" fonctionnent de la même manière quelle que soit la position du sélecteur de fonction.



**■ Insertion de disque**

- Appuyez sur la touche d'ouverture et de fermeture OPEN/CLOSE (▲) pour ouvrir le tiroir porte-disque.
- Insérez un disque dans la cavité du tiroir porte-disque avec l'étiquette vers le haut.
- Appuyez sur la touche d'ouverture et de fermeture OPEN/CLOSE (▲) pour refermer le tiroir porte-disque.
  - L'indication "Close" (Fermeture) s'allume suivie par "TOC Reading" et l'affichage indique le type de disque que vous avez introduit.
  - Si vous introduisez un disque vierge, un CD-R partiellement enregistré ou un disque CD-RW non finalisé, le graveur de CD effectuera le calibrage pour l'enregistrement optimal du disque. Pendant cette opération, l'affichage indiquera d'abord "Now OPC" et ensuite le nombre de pistes audio. Le calibrage peut prendre jusqu'à 60 secondes. (CD-R/RW)
  - Si un CD-R/RW est finalisé, l'indication "CD" apparaîtra à l'affichage.



**REMARQUES**

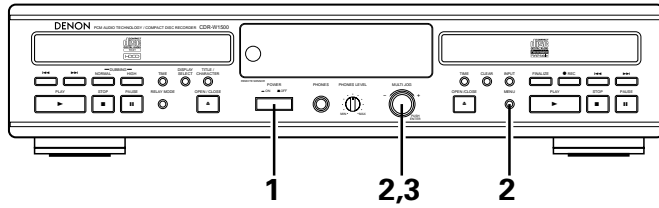
- Si vous prenez le doigt dans le tiroir porte-disque lors de sa fermeture, appuyez sur la touche OPEN/CLOSE (▲).
- Seuls les CD audio sont acceptés. Si un disque non audio est inséré, l'affichage indiquera "Use Audio CD" (Disque incorrect).
- Pour l'enregistrement, il est important que le disque vierge soit complètement exempt de particules de poussière ou de rayures. Voir "Nettoyage des disques", page 37.
- Lorsque du texte d'information a été entré mais non finalisé, le tiroir porte-disque ne pourra être ouvert tant que tout le texte d'information n'a pas été supprimé. Le message "Text Erase OK?" (Effacement du texte OK ?) sera affiché pendant 2 secondes. Lorsque l'on appuie sur la touche d'entrée pendant cet intervalle, le texte d'information sera supprimé et le tiroir porte-disque pourra être ouvert.

**9 METHODE DE PARAMETRAGE**

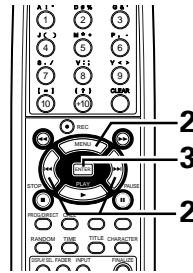
- Les 9 éléments énumérés ci-dessous peuvent être réglés par le menu de paramétrage. Les messages suivants seront affichés pour les divers éléments de réglage.
- Fermer les tiroirs de disque et régler les deux sections CD et CD-R en mode stop.
- Le contenu du menu réglé est enregistré, mais ces données risquent d'être perdues si l'appareil est débranché du secteur pendant 2 à 3 jours.
  - "Sync. Rec?" ..... Mode enregistrement synchronisé.
  - "Sync. Level?" ..... Niveau d'enregistrement synchronisé.
  - "A.T. Mark?" ..... Marquage automatique des pistes.
  - "FadeIn Time?" ..... Durée du fondu de début d'enregistrement.
  - "FadeOutTime?" ..... Durée du fondu de fin d'enregistrement.
  - "Intro Time?" ..... Durée de lecture d'introduction de piste.
  - "Custom Index" ..... Index personnalisé.
  - "Skip Play?" ..... Lecture avec saut.
  - "Timer Play?" ..... Temporisation de lecture.

**(1) Méthode de paramétrage**

(Unité principale)



(Télécommande)

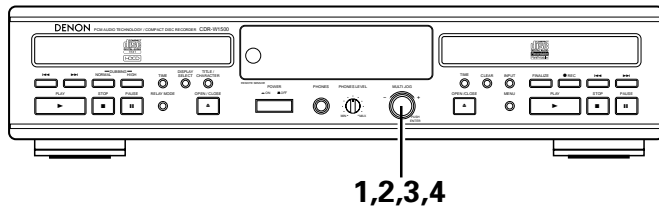


<b>1</b>	Activez l'alimentation.
<b>2</b>	Appuyez sur la touche de menu et faites tourner le sélecteur jog de l'unité principale ou appuyez sur les touches de recherche automatique de la télécommande pour afficher "Setup Menu?".
<b>3</b>	Appuyez sur la touche entrée et passer en mode de paramétrage.

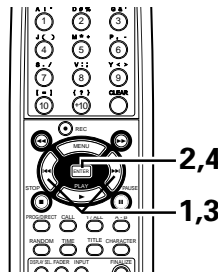
**(2) Réglage du mode enregistrement synchronisé**

★ Effectuez les réglages du mode enregistrement synchronisé. (Voir page 49).

(Unité principale)



(Télécommande)



<b>1</b>	Réglez l'appareil en mode paramétrage, faites ensuite tourner le sélecteur jog de l'unité principale ou appuyez sur la touche de recherche automatique de la télécommande pour afficher "Sync. Rec?".
<b>2</b>	Appuyez sur la touche d'entrée (ENTER) et réglez le mode de sélection d'enregistrement synchronisé.
<b>3</b>	Faites tourner le sélecteur jog de l'unité principale ou appuyez sur la touche de recherche automatique de la télécommande et ensuite, sélectionnez le d'enregistrement synchronisé. "Sync. Off?". "Disc Sync.?" "Make CD?". "1Tr Sync.?"
<b>4</b>	Appuyez sur la touche d'entrée (ENTER) et réglez le mode d'enregistrement synchronisé. "Synchro Off". "Disc Synchro". "Make CD". "1Tr Synchro".

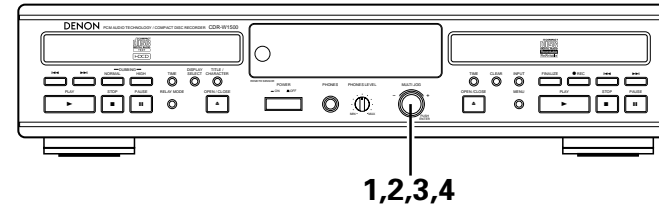
**(3) Réglage du niveau d'enregistrement synchronisé**

★ S'utilise pour régler le niveau de départ de l'enregistrement synchronisé lorsque celui-ci est utilisé.

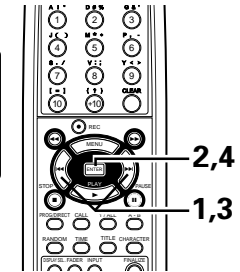
(Voir page 49).

★ Lors de l'utilisation de l'enregistrement synchronisé, l'enregistrement commencera lorsque le niveau du signal d'entrée dépasse la valeur réglée. L'enregistrement s'arrêtera tant que le signal reste à un niveau inférieur à la valeur réglée pour 10 secondes ou plus.

(Unité principale)



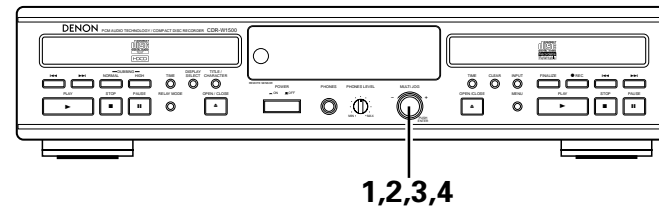
(Télécommande)



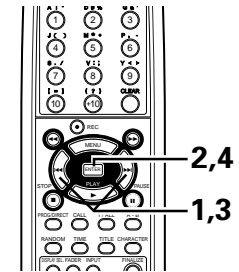
<b>1</b>	Réglez l'appareil en mode paramétrage, faites ensuite tourner le sélecteur jog de l'unité principale ou appuyez sur la touche de recherche automatique de la télécommande pour afficher "Sync. Level?".
<b>2</b>	Appuyez sur la touche d'entrée (ENTER) et réglez le mode de sélection d'enregistrement synchronisé.
<b>3</b>	Faites tourner le sélecteur jog de l'unité principale ou appuyez sur la touche de recherche automatique de la télécommande et ensuite, réglez le niveau d'enregistrement synchronisé. • La valeur de réglage est affichée dans la zone d'affichage multiple. "Sync. -**dB" * La fourchette de réglage s'étend de -54 dB à -30 dB, variable par pas de 6 dB.
<b>4</b>	Appuyez sur la touche d'entrée (ENTER) et réglez le niveau d'enregistrement synchronisé. • Le message "Complete" (Terminé) s'affiche.

**(4) Réglage de la fonction de marquage automatique des numéros de piste ATM (Auto Track Mark)**

(Unité principale)



(Télécommande)

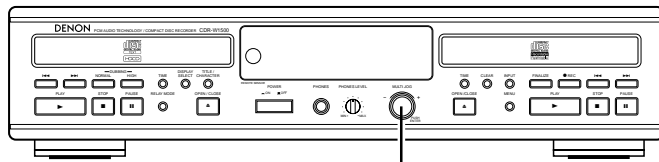


<b>1</b>	Réglez l'appareil en mode paramétrage, faites ensuite tourner le sélecteur jog de l'unité principale ou appuyez sur la touche de recherche automatique de la télécommande pour afficher "A. T. Mark?".
<b>2</b>	Appuyez sur la touche d'entrée (ENTER) et réglez le mode de sélection du marquage automatique des numéros de piste.
<b>3</b>	Faites tourner le sélecteur jog de l'unité principale ou appuyez sur la touche de recherche automatique de la télécommande pour sélectionner l'activation ou la désactivation du marquage automatique des numéros de piste. • L'indication du mode sélectionné se met à clignoter. "On/Off"
<b>4</b>	Appuyez sur la touche d'entrée (ENTER) et réglez l'activation ou la désactivation du marquage automatique des numéros de piste. • Le message "A. T. Mark On" (Marquage ATM activé) ou "A. T. Mark Off" (Marquage ATM désactivé) s'affiche.

**(5) Réglage de la durée du fondu de début**

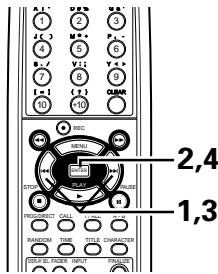
- ★ Pour effectuer un enregistrement avec fondu de début, réglez la durée de ce dernier.  
(Voir page 50).

(Unité principale)



1,2,3,4

(Télécommande)

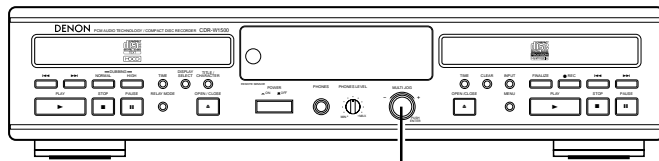
2,4  
1,3

<b>1</b>	Réglez l'appareil en mode paramétrage, faites ensuite tourner le sélecteur jog de l'unité principale ou appuyez sur la touche de recherche automatique de la télécommande pour afficher "FadeIn Time?".
<b>2</b>	Appuyez sur la touche d'entrée pour régler le mode de réglage de la durée du fondu de début.
<b>3</b>	Faites ensuite tourner le sélecteur jog de l'unité principale ou appuyez sur la touche de recherche automatique de la télécommande pour régler la durée du fondu de début. <ul style="list-style-type: none"> <li>Le réglage est affiché sur la section d'affichage multiple. "FadeIn **sec"</li> <li>* Le réglage peut être effectué entre 1 et 15 secondes par pas de 1 seconde.</li> </ul>
<b>4</b>	Appuyez sur la touche d'entrée pour régler la durée du fondu de début d'enregistrement. <ul style="list-style-type: none"> <li>Le message "Complete" (Terminé) s'affiche.</li> </ul>

**(6) Réglage de la durée de fondu de fin de piste**

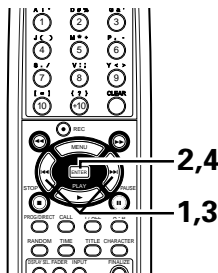
- ★ Pour effectuer un enregistrement avec fondu de fin de piste, réglez la durée de ce dernier.  
(Voir page 50).

(Unité principale)



1,2,3,4

(Télécommande)

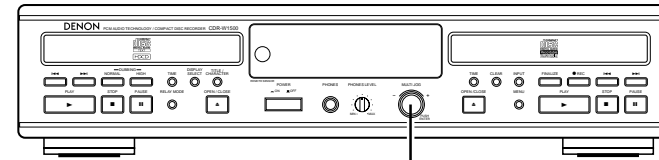
2,4  
1,3

<b>1</b>	Réglez l'appareil en mode paramétrage, faites ensuite tourner le sélecteur jog de l'unité principale ou appuyez sur la touche de recherche automatique de la télécommande pour afficher "FadeOutTime?".
<b>2</b>	Appuyez sur la touche d'entrée pour régler le mode de réglage de la durée du fondu de fin de piste.
<b>3</b>	Faites ensuite tourner le sélecteur jog de l'unité principale ou appuyez sur la touche de recherche automatique de la télécommande pour régler la durée du fondu de fin de piste. <ul style="list-style-type: none"> <li>Le réglage est affiché sur la section d'affichage multiple. "FadeOut**sec"</li> <li>* Le réglage peut être effectué entre 1 et 15 secondes par pas de 1 seconde.</li> </ul>
<b>4</b>	Appuyez sur la touche d'entrée pour régler la durée du fondu de fin d'enregistrement. <ul style="list-style-type: none"> <li>Le message "Complete" (Terminé) s'affiche.</li> </ul>

**(7) Réglage de la durée de lecture d'introduction pour l'enregistrement sélectif**

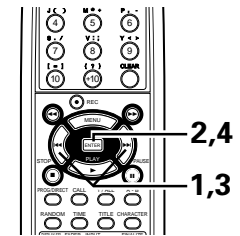
- ★ Pour effectuer un enregistrement sélectif, réglez d'abord la durée de lecture d'introduction. (Voir page 46).

(Unité principale)



1,2,3,4

(Télécommande)

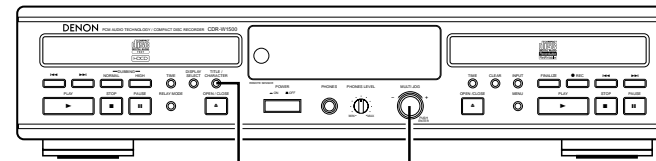
2,4  
1,3

<b>1</b>	Réglez l'appareil en mode paramétrage, faites ensuite tourner le sélecteur jog de l'unité principale ou appuyez sur la touche de recherche automatique de la télécommande pour afficher "Intro Time?".
<b>2</b>	Appuyez sur la touche d'entrée pour activer le mode de réglage de la durée de lecture d'introduction.
<b>3</b>	Faites ensuite tourner le sélecteur jog de l'unité principale ou utilisez les touches de recherche automatique de la télécommande pour régler la durée de lecture d'introduction de piste. <ul style="list-style-type: none"> <li>Le réglage est affiché sur la section d'affichage multiple. "ScanTime **s"</li> <li>* Le réglage peut être effectué entre 5 et 30 secondes par pas de 5 secondes.</li> </ul>
<b>4</b>	Appuyez sur la touche d'entrée pour régler la durée de lecture d'introduction. <ul style="list-style-type: none"> <li>Le message "Complete" (Terminé) s'affiche.</li> </ul>

**(8) Réglage de l'index personnalisé**

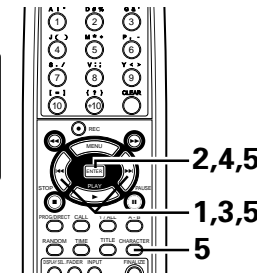
- ★ Un nom peut être associé aux jacks d'entrée.  
★ Cela est très pratique pour savoir quel équipement est connecté aux jacks d'entrée.

(Unité principale)



1,2,3,4,5

(Télécommande)

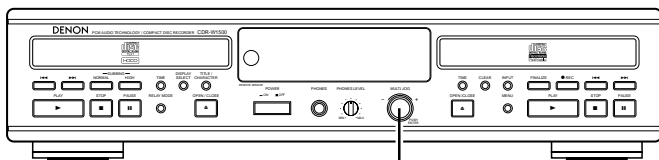
2,4,5  
1,3,5  
5

<b>1</b>	Réglez l'appareil en mode paramétrage, faites ensuite tourner le sélecteur jog de l'unité principale ou appuyez sur la touche de recherche automatique de la télécommande pour afficher "Custom Index".
<b>2</b>	Appuyez sur la touche d'entrée (ENTER) et activez le mode d'entrée d'index personnalisé.
<b>3</b>	Faites tourner le sélecteur jog de l'unité principale ou appuyez sur la touche de recherche automatique de la télécommande pour sélectionner les jacks auxquels un nom sera associé. <ul style="list-style-type: none"> <li>L'indication des jacks sélectionnés se met à clignoter. "Opt/Coax/Ana"</li> </ul>
<b>4</b>	Appuyez sur la touche d'entrée et sélectionnez les jacks auxquels un nom sera associé. Cette opération active le mode d'entrée de nom.
<b>5</b>	Sélectionnez le mode d'entrée avec la touche de caractère, faites ensuite tourner le sélecteur jog de l'unité principale ou appuyez sur la touche de recherche automatique de la télécommande pour sélectionner les caractères. Entrez un caractère à la fois avec la touche d'entrée. <ul style="list-style-type: none"> <li>Voir "Edition de texte", page 62 pour les détails sur la méthode d'entrée de caractère et effectuez ensuite les opérations 7 et 8.</li> </ul>

**(9) Réglage du mode de lecture avec saut de piste**

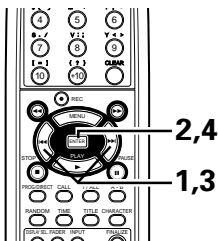
- ★ Cette fonction permet à la lecture de sauter les pistes que vous ne souhaitez pas écouter. (Voir "Enregistrement des pistes que vous ne souhaitez pas écouter", page 60 pour les détails sur la sélection de telles pistes).

(Unité principale)



1,2,3,4

(Télécommande)



2,4

1,3

<b>1</b>	Réglez l'appareil en mode paramétrage, faites ensuite tourner le sélecteur jog de l'unité principale ou appuyez sur la touche de recherche automatique de la télécommande pour afficher "Skip Play?".
<b>2</b>	Appuyez sur la touche d'entrée (ENTER) et activez le mode de sélection de lecture avec saut de piste.
<b>3</b>	Faites ensuite tourner le sélecteur jog de l'unité principale ou appuyez sur la touche de recherche de la télécommande pour sélectionner l'activation ou la désactivation de la lecture avec saut de piste. <ul style="list-style-type: none"> <li>• L'indicateur du mode sélectionné se met à clignoter. "On/Off"</li> </ul>
<b>4</b>	Appuyez sur la touche d'entrée (ENTER) et réglez l'activation ou la désactivation de la lecture avec saut de page. <ul style="list-style-type: none"> <li>• L'indication "Skip On" (Lecture avec saut activée) ou "Skip Off" (Lecture avec saut désactivée) sera affichée.</li> </ul>

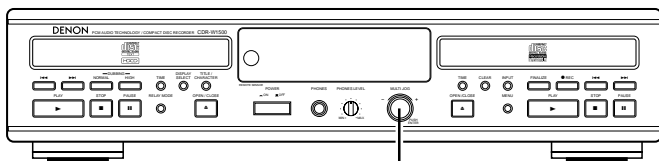
**REMARQUES:**

- La finalisation du disque lorsque les pistes que vous ne souhaitez pas écouter ont été enregistrées déclenche automatiquement l'activation du mode lecture avec saut.
- La lecture avec saut de plage est impossible sur les lecteurs CD qui ne sont pas équipés de cette fonction.
- La lecture programmée ou aléatoire est impossible lorsque des pistes que vous ne souhaitez pas écouter ont été enregistrées.

**(10) Réglage du mode de lecture temporisée**

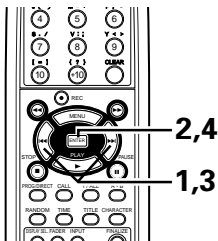
- ★ La lecture temporisée est possible. (Voir page 55).

(Unité principale)



1,2,3,4

(Télécommande)



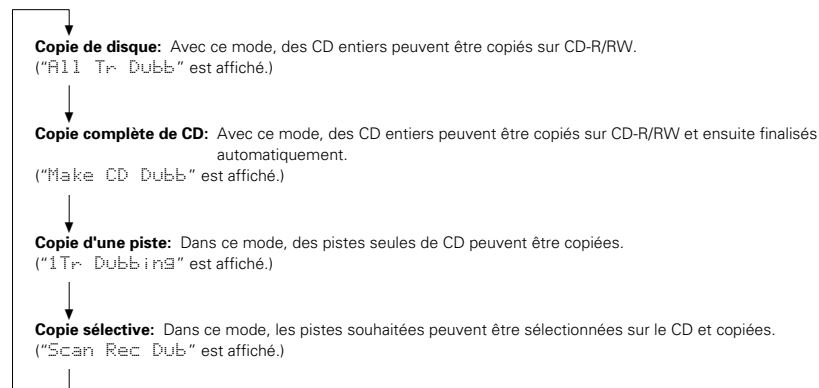
2,4

1,3

<b>1</b>	Réglez l'appareil en mode paramétrage, faites ensuite tourner le sélecteur jog de l'unité principale ou appuyez sur la touche de recherche automatique de la télécommande pour afficher "Timer Play?".
<b>2</b>	Appuyez sur la touche d'entrée (ENTER) et activez le mode de sélection de lecture temporisée.
<b>3</b>	Faites ensuite tourner le sélecteur jog de l'unité principale ou appuyez sur les touches de recherche de la télécommande pour sélectionner l'activation ou la désactivation de la lecture temporisée. <ul style="list-style-type: none"> <li>• L'indicateur du mode sélectionné se met à clignoter. "On/Off"</li> </ul>
<b>4</b>	Appuyez sur la touche d'entrée (ENTER) pour activer ou la désactiver le mode de lecture temporisée. <ul style="list-style-type: none"> <li>• L'indication "TimerPlayOn" (Lecture temporisée activée) ou "TimerPlayOff" (Lecture temporisée désactivée) sera affichée.</li> </ul>

**10 PROCEDURE DE COPIE****Au sujet de la copie**

- ★ La copie du lecteur CD au graveur CD-R s'effectue très facilement.
- ★ Deux vitesses de copie (normale et haute) et quatre modes de copie sont disponibles.
  - Le mode se commute comme indiqué ci-dessous à chaque pression sur la touche de copie à vitesse normale (NORMAL) ou sur la touche de copie à grande vitesse (HIGH).



- Le niveau d'enregistrement est automatiquement réglée à la valeur par défaut (0,0 dB).
- Les modes lecture à répétition et aléatoire sont annulés lorsque le mode de copie est activé.
- Pendant la copie à vitesse normale vous pouvez écouter le son tout en effectuant la copie.
- Pendant la copie à grande vitesse aucun son n'est produit.
- Aucun signal est sorti de les sorties numériques pendant le copiage à haute vitesse.
- Pendant la copie, aucune touche hormis les touches d'arrêt CD ou CD-R ne fonctionne.
- Lorsque des CD compatibles texte sont copiés, les noms de disque et de piste sont aussi copiés.
- ★ Lors de la copie, commuter le mode relais au mode normal ou au mode double. Il n'est pas possible de copier en mode relais ou en mode mixte.
- ★ Pour un enregistrement optimal, s'assurer qu'il n'y a pas de traces de doigts, de rayures ou de la poussière à la surface du signal de la face source du CD ou du CD-R/RW.
- ★ La fonction de plage automatique est toujours activée en mode de copie. Il n'est pas possible d'attribuer manuellement des numéros de plage.

**REMARQUES:**

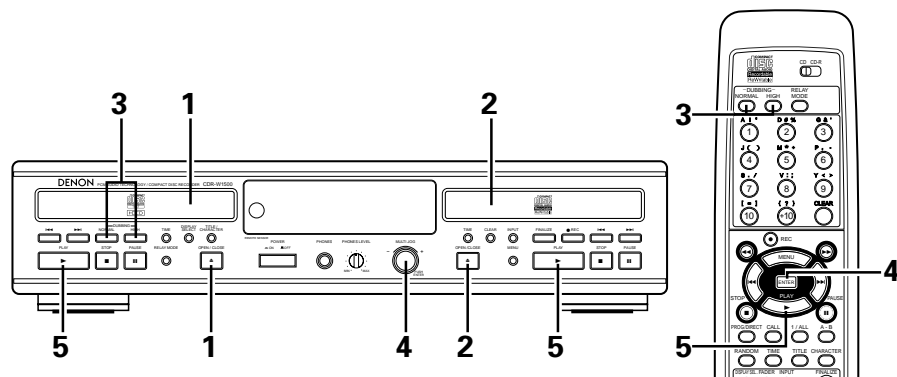
- La copie s'effectue normalement avec des signaux numériques, mais si la copie numérique est impossible à cause des restrictions SCMS, la copie est effectuée avec des signaux analogiques. De plus, la copie s'effectue toujours à vitesse normale. (Voir page 37).
- La copie analogique est toujours effectuée en mode à vitesse normale.
- Quand le mode de copie est activé et que le temps enregistrable du CD-R/RW est plus court que la durée du CD source que vous tentez de copier, "CD-R Short" (CD-R court) est affiché et les deux unités CD et CD-R sont mises en mode stop. Si cela se produit, vérifiez la durée enregistrable du disque. (Toutefois, lors de l'enregistrement des numéros de page 21 ou plus à partir d'une source CD contenant plus de 20 pages, "CD-R Short" n'est pas affiché, même si la durée de la source d'enregistrement est plus longue que la durée enregistrable du CD-R/RW.)
- Si le nom du disque a déjà été entrée sur le disque que vous enregistrez, seuls les titres de piste sont copiés.
- Avec certains CD, le texte ne peut être copié à cause de la protection des droits d'auteur. Dans ce cas l'indication "Text Protect" s'affiche.
- Ne pas couper l'alimentation ou débrancher l'appareil du secteur pendant que l'indication "Now PMA Rec" s'affiche, une fois l'enregistrement terminé. Cela risque de rendre le disque inutilisable.



**(1) Copie de disques entiers**

(Unité principale)

(Télécommande)



<b>1</b>	Chargez le CD que vous souhaitez copier dans le lecteur CD.
<b>2</b>	Chargez le CD-R/RW sur lequel vous souhaitez enregistrer dans l'unité CD-R.
<b>3</b>	Appuyez sur la touche de copie à vitesse normale ou haute (NORMAL ou HIGH) pour afficher "All Tr. Dubb" (Copie de toutes les pistes) ou "Make CD Dubb" (Copie complète).
<b>4</b>	Appuyez sur la touche d'entrée (ENTER) pour régler le mode de copie. <ul style="list-style-type: none"> <li>L'unité CD est réglée en mode pause, et l'unité CD-R en mode attente d'enregistrement.</li> </ul>
<b>5</b>	Appuyez sur la touche de lecture de l'unité CD ou CD-R. <ul style="list-style-type: none"> <li>La copie démarre.</li> <li>Si le mode "Make CD" a été sélectionné, la finalisation commence automatiquement une fois la copie terminée. (Voir page 58). Une fois que la finalisation est terminée, le mode stop est activé automatiquement.</li> <li>Pour arrêter en cours de copie, appuyez sur la touche stop de l'unité CD ou CD-R.</li> <li>Si les modes de lecture programmée ont été réglés auparavant pour l'unité CD, la copie est effectuée selon les réglages effectués.</li> </ul>

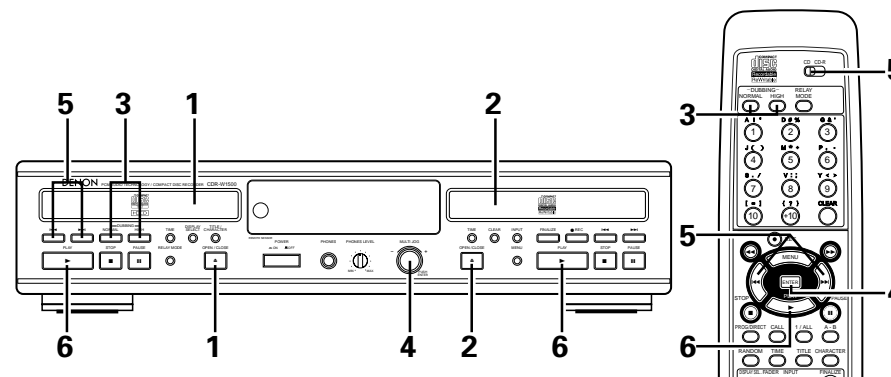
**REMARQUE:**

- Si vous souhaitez entrer des données de texte, sélectionnez le mode "All Tr. Dubb". Avec les disques CD-R, les données de texte ne peuvent être entrées qu'une fois le disque finalisé.

**(2) Copie d'une piste à la fois**

(Unité principale)

(Télécommande)

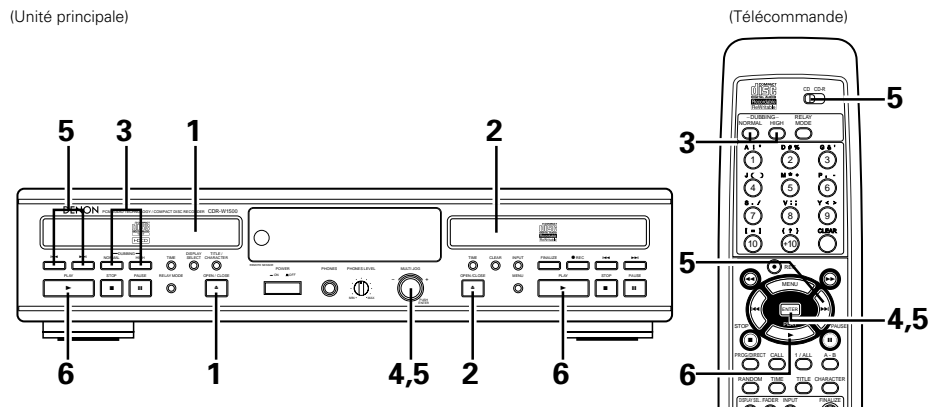


<b>1</b>	Chargez le CD que vous souhaitez copier dans le lecteur CD.
<b>2</b>	Chargez le CD-R/RW sur lequel vous souhaitez enregistrer dans l'unité CD-R.
<b>3</b>	Appuyez sur la touche de copie à vitesse normale ou élevée (NORMAL ou HIGH) pour afficher "1 Tr. Dubbing".
<b>4</b>	Appuyez sur la touche d'entrée (ENTER) pour régler le mode de copie. <ul style="list-style-type: none"> <li>L'unité CD est réglée en mode pause, et l'unité CD-R en mode attente d'enregistrement.</li> </ul>
<b>5</b>	Utilisez les touches de recherche automatique de l'unité CD pour sélectionner la piste que vous souhaitez enregistrer.
<b>6</b>	Appuyez sur la touche de lecture de l'unité CD ou CD-R. <ul style="list-style-type: none"> <li>La copie démarre.</li> <li>Lorsque la copie est terminée, l'unité CD-R est arrêtée.</li> <li>Pour arrêter en cours de copie, appuyez sur la touche stop de l'unité CD ou CD-R.</li> </ul>

**(3) Sélection des pistes à copier pendant la lecture des introductions du CD et copie des pistes sélectionnées**

★ La durée de la lecture d'introduction peut être réglée par le menu de paramétrage (page 43).

(Unité principale)



<b>1</b>	Chargez le CD que vous souhaitez copier dans le lecteur CD.
<b>2</b>	Chargez le CD-R/RW sur lequel vous souhaitez enregistrer dans l'unité CD-R.
<b>3</b>	Appuyez sur la touche de copie à vitesse normale ou double (NORMAL ou HIGH) pour afficher "Scan Rec Dub".
<b>4</b>	Appuyez sur la touche d'entrée (ENTER) pour régler le mode de copie. <ul style="list-style-type: none"> <li>La lecture par balayage des introductions commence sur l'unité CD.</li> </ul>
<b>5</b>	Sélectionnez les pistes que vous souhaitez enregistrer. <ul style="list-style-type: none"> <li>Pour sélectionner les pistes que vous voulez enregistrer, appuyez sur la touche d'entrée (ENTER).</li> <li>Pour sauter les pistes que vous ne voulez pas enregistrer, appuyez sur la touche de recherche avant automatique.</li> <li>* Une fois que toutes les pistes ont été balayées, l'unité CD passe en mode pause, "Choice OK?" (Choix OK ?) s'affiche et l'indicateur "PROG" s'allume.</li> <li>Vérifiez les réglages sur le calendrier musical et si tout est correct, appuyez sur la touche d'entrée (ENTER).</li> <li>Si les réglages sont incorrects, appuyez sur la touche stop et ensuite, répétez les étapes 1 à 5.</li> </ul>
<b>6</b>	Appuyez sur la touche de lecture de l'unité CD ou CD-R. <ul style="list-style-type: none"> <li>La copie démarre.</li> <li>Lorsque la copie est terminée, l'unité CD-R est arrêtée.</li> <li>Pour arrêter en cours de copie, appuyez sur la touche d'arrêt de l'unité CD ou CD-R.</li> </ul>

**REMARQUE:**

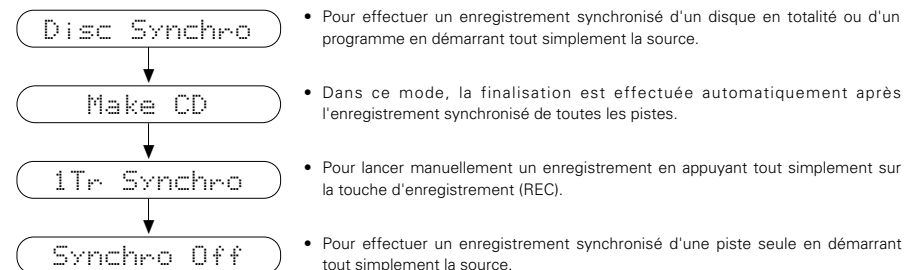
- Un maximum de 30 pages peut être réglé pour l'enregistrement. La lecture d'introduction est effectuée même après que les 30 plages ont été réglées mais aucune autre piste ne peut être ajoutée.

**11 ENREGISTREMENT A PARTIR DE SOURCES EXTERNES**

- Lors d'un enregistrement sur un disque déjà enregistré, celui-ci commence automatiquement à partir de la fin de la section enregistrée en dernier. Vérifier à ce moment-là le temps d'enregistrement restant.
- Pour enregistrer à nouveau sur la totalité du disque, effacez-le d'abord en totalité. "(2) Effacement des plages", page 59.
- Pour assurer un enregistrement précis, enregistrez à une température ambiante de 30 °C ou moins.
- L'enregistrement peut s'arrêter si l'appareil est soumis à des chocs pendant l'enregistrement. Si l'enregistrement s'arrête, il est possible que le disque ne soit plus utilisable normalement. ("DISC ERROR")
- Réglez le mode sur normal ou double (dual) pour enregistrer. Cette opération est impossible en mode relais ou mixte.

**Modes d'enregistrement**

- ★ Votre graveur propose plusieurs modes d'enregistrement.
- ★ Son réglage est possible en utilisant la méthode "Paramétrage", page 42.

**REMARQUES:**

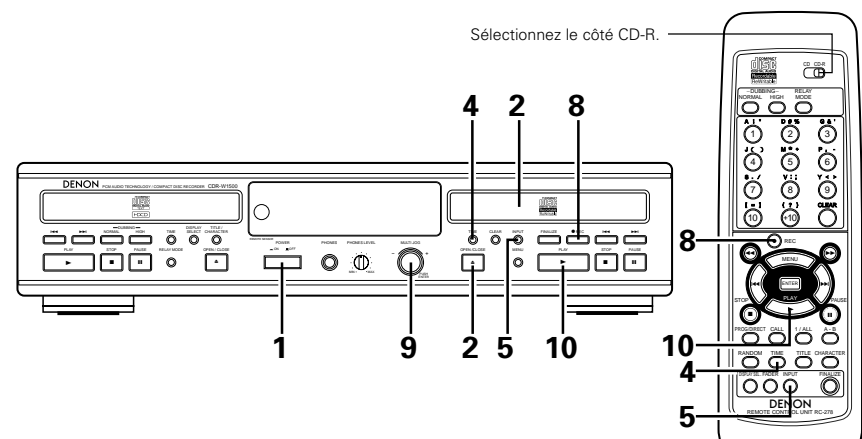
- L'enregistrement analogique n'est pas possible en mode de copie complète "Make CD".
- Utilisez le mode copie pour enregistrer les disques HDCD. Ces disques risquent ne pas pouvoir être enregistrés correctement à partir de sources externes.
- Ne pas couper l'alimentation ou débrancher l'appareil du secteur pendant que l'indication "Now PMA Rec" s'affiche, une fois l'enregistrement terminé. Cela risque de rendre le disque inutilisable.

**Quelques remarques sur l'enregistrement:**

- Lorsque le marquage automatique "Auto track" est activé (réglage par défaut), les numéros de piste sont automatiquement incrémentés pendant l'enregistrement.
- En programmant d'abord la source, une compilation peut être enregistrée.

**1. Enregistrement manuel****(1) Lancement d'un enregistrement analogique**

(Unité principale)



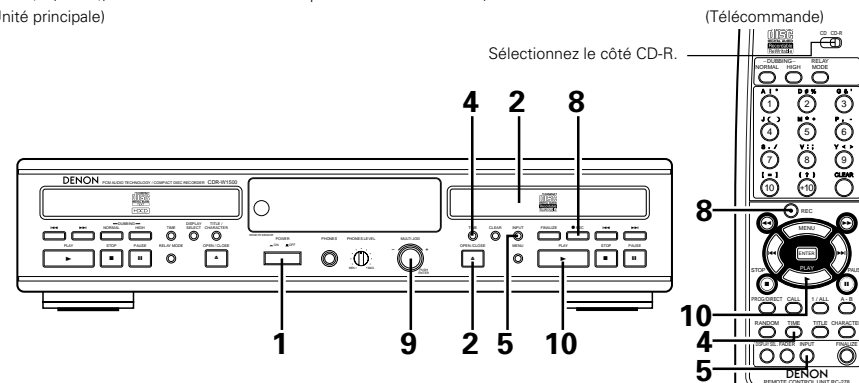
<b>1</b>	Activez l'alimentation.
<b>2</b>	Chargez le disque CD-R/RW à enregistrer.
<b>3</b>	Effectuez les opérations de la "Méthode de paramétrage (2) Réglage du mode enregistrement synchronisé", page 42 et sélectionnez le mode de copie avec synchronisation désactivée (OFF).
<b>4</b>	Lors d'un enregistrement sur un disque déjà enregistré, appuyez sur la touche TIME pour vérifier le temps d'enregistrement restant. <ul style="list-style-type: none"> <li>L'affichage du temps commute entre temps total enregistré et temps enregistrable à chaque pression sur la touche TIME.</li> </ul>
<b>5</b>	Appuyez sur la touche de sélection d'entrée (INPUT) et sélectionnez la source analogique. <ul style="list-style-type: none"> <li>L'indication "ANALOG" s'allume.</li> </ul>
<b>6</b>	Effectuez les opérations de la "Méthode de paramétrage", page 42 et sélectionnez l'activation ou la désactivation de la fonction de marquage de piste ATM. <ul style="list-style-type: none"> <li>ATM Fonction activée L'indication "ATM" s'allume. Lorsqu'une section vierge (d'environ 3 secondes ou plus) dans le signal d'entrée d'enregistrement est détectée, le numéro de piste est automatiquement associé et enregistré.</li> <li>ATM Fonction désactivée Est enregistré comme la piste suivante.</li> </ul>
<b>7</b>	Lancez la lecture de la sélection que vous souhaitez enregistrer sur le lecteur CD, platine magnétocassette, etc.
<b>8</b>	Appuyez sur la touche d'enregistrement (● REC). <ul style="list-style-type: none"> <li>Le mode attente d'enregistrement est activé.</li> </ul>
<b>9</b>	Réglez le niveau d'enregistrement avec le sélecteur Jog et appuyez sur la touche d'entrée (ENTER). <ul style="list-style-type: none"> <li>Réglez la commande de réglage du niveau d'enregistrement (INPUT LEVEL) pour que l'indication "OVER" ne s'allume pas même lorsque le volume est à son niveau le plus élevé. Après avoir effectué le réglage, réglez la source à enregistrer en mode d'attente.</li> <li>* Le niveau d'enregistrement peut être réglé d'avance par le mode menu.</li> <li>Le niveau d'enregistrement réglé sera enregistré en mémoire mais ces données peuvent être perdues si l'appareil est débranché du secteur pendant 2 à 3 jours.</li> </ul>
<b>10</b>	Appuyez sur la touche de lecture (▶ PLAY). <ul style="list-style-type: none"> <li>L'enregistrement démarre.</li> </ul>
<b>11</b>	Lancez la lecture de la sélection que vous souhaitez enregistrer sur le lecteur CD, platine magnétocassette, etc.

**(2) Lancement d'un enregistrement numérique**

Cet appareil est équipé d'un convertisseur de taux d'échantillonnage.

Lors d'enregistrement de DAT ou d'émissions satellite (32 ou 48 kHz) dont la fréquence d'échantillonnage diffère de celle des CD (44,1 kHz), cette dernière est automatiquement convertie en 44,1 kHz.

(Unité principale)



<b>1</b>	Activez l'alimentation.
<b>2</b>	Chargez le disque CD-R/RW à enregistrer.
<b>3</b>	Effectuez les opérations de la "Méthode de paramétrage (2) Réglage du mode enregistrement synchronisé", page 42 et sélectionnez le mode de copie avec synchronisation désactivée (OFF).
<b>4</b>	Lors d'un enregistrement sur un disque déjà enregistré, appuyez sur la touche TIME pour vérifier le temps d'enregistrement restant. <ul style="list-style-type: none"> <li>L'affichage du temps commute entre temps total enregistré et temps enregistrable à chaque pression sur la touche TIME.</li> </ul>
<b>5</b>	Appuyez sur la touche de sélection d'entrée (INPUT) et sélectionnez la source numérique optique ou coaxiale. <ul style="list-style-type: none"> <li>L'indicateur pour la source d'entrée sélectionnée ("CD", "OPT" ou "COAX") s'allume.</li> </ul>
<b>6</b>	Effectuez les opérations de la "Méthode de paramétrage", page 42 et sélectionnez l'activation ou la désactivation de la fonction de marquage de piste ATM. <ul style="list-style-type: none"> <li>ATM Fonction activée L'indication "ATM" s'allume. Lorsqu'une section vierge (d'environ 3 secondes ou plus) dans le signal d'entrée d'enregistrement est détectée, le numéro de piste est automatiquement associé et enregistré.</li> <li>ATM Fonction désactivée Est enregistré comme la piste suivante.</li> </ul>
<b>7</b>	Lancez la lecture de la sélection que vous souhaitez enregistrer sur le lecteur CD, enregistreur de MD, etc.
<b>8</b>	Appuyez sur la touche d'enregistrement (● REC). <ul style="list-style-type: none"> <li>Si l'indicateur "D. in" clignote, vérifiez les connexions aux jacks d'entrée numérique.</li> </ul>
<b>9</b>	Réglez le niveau d'enregistrement avec le sélecteur Jog et appuyez sur la touche (ENTER). <ul style="list-style-type: none"> <li>Réglez la commande de réglage du niveau d'enregistrement (INPUT LEVEL) pour que l'indication "OVER" ne s'allume pas même lorsque le volume est à son niveau le plus élevé. Après avoir effectué le réglage, réglez la source à enregistrer en mode d'attente.</li> <li>* Le niveau d'enregistrement peut être réglé d'avance par le mode menu.</li> <li>Le niveau d'enregistrement réglé sera enregistré en mémoire mais ces données peuvent être perdues si l'appareil est débranché du secteur pendant 2 à 3 jours.</li> </ul>
<b>10</b>	Appuyez sur la touche de lecture (▶ PLAY). <ul style="list-style-type: none"> <li>L'enregistrement démarre.</li> </ul>
<b>11</b>	Jouez la sélection à enregistrer sur le lecteur CD, etc.

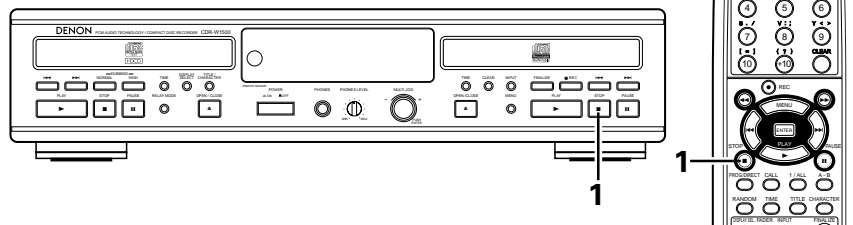
**REMARQUES:**

- "CD" peut être sélectionné en appuyant sur la touche de sélection d'entrée mais l'enregistrement manuel à partir de l'unité CD n'est possible qu'en mode double. (Veuillez-vous référer à "Mode double", page 57, 58).
- Lorsque vous ne souhaitez pas changer le niveau d'enregistrement numérique, réglez le sélecteur Jog pour que "Level 00.0dB" s'affiche. L'enregistrement sera effectué sans changer le niveau du signal d'entrée.
- Le niveau d'enregistrement peut être réglé sur un intervalle de  $-\infty$  à +12 dB pour l'enregistrement d'entrée analogique et à partir de  $-\infty$  à 0 dB pour l'enregistrement d'entrée numérique. Notez que les valeurs de réglage affichées peuvent inclure un certain degré d'erreur de calcul.
- Lorsque le niveau d'enregistrement est  $-\infty$  l'indication "Level ---. -dB" est affichée et aucun signal audio n'est envoyé en sortie.

### 3. Arrêt de l'enregistrement

(Unité principale)

(Télécommande)  
Sélectionnez le côté CD-R.



- 1** Pendant l'enregistrement, appuyez sur la touche d'arrêt (■ STOP).
- Le mode d'arrêt est activé automatiquement une fois que la fin du temps enregistrable est atteinte.

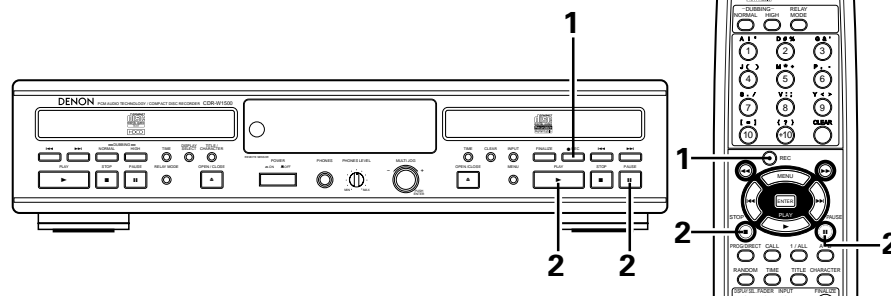
#### REMARQUES:

- Lors de l'enregistrement numérique de CD ou de MD, les numéros de piste sont enregistrés automatiquement. (Voir page 37).
- Lors de l'enregistrement de source numérique autre que les CD ou les MD, les numéros de piste sont automatiquement ajoutés lorsque des sections vierges sont détectées. (Voir page 37).
- Pendant l'enregistrement numérique à partir de CD ou de MD, le numéro de piste peut ne pas changer si la même piste est programmée deux fois de suite ou si le mode répétition d'une seule piste est activé.
- Il est impossible d'effectuer l'enregistrement numérique de disques ayant déjà reçu un enregistrement numérique. Le CDR-W1500 incorpore le système de gestion de copies en série. Ce système limite la reproduction de signaux numériques sur appareils numériques audio à "une génération". Utilisez l'enregistrement analogique pour enregistrer les disques ayant déjà reçu un enregistrement numérique.
- Le CDR-W1500 est destiné à un usage domestique et risque de ne pas fonctionner correctement s'il est utilisé (pour enregistrer, etc.) en combinaison avec de l'équipement professionnel ou tout autre appareil non conçu pour un usage domestique.
- Pour éjecter le disque lorsque le message "Copy Prohibit" ou "Disc Unlock" s'affiche pendant l'enregistrement numérique et que le mode pause d'enregistrement est activé, appuyez d'abord sur la touche d'arrêt (■ STOP) et ensuite sur la touche d'ouverture/fermeture (▲ OPEN/CLOSE) pour éjecter le disque.

### (4) Ajout de numéros de piste pendant l'enregistrement

(Unité principale)

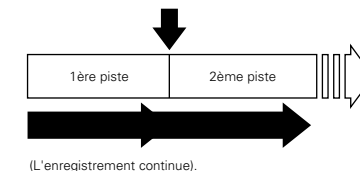
(Télécommande)  
Sélectionnez le côté CD-R.



- Des numéros de piste peuvent être ajoutés pendant l'enregistrement quel que soit le mode d'enregistrement.

- 1** Pendant l'enregistrement, appuyez sur la touche d'enregistrement (● REC).
- Si l'on appuie sur la touche d'enregistrement (● REC) pendant l'enregistrement, un numéro de piste est ajouté à ce point.
  - Un nouveau numéro de piste ne peut être ajouté pendant environ 4 secondes après le dernier numéro de piste.

Appuyez sur la touche d'enregistrement (● REC).

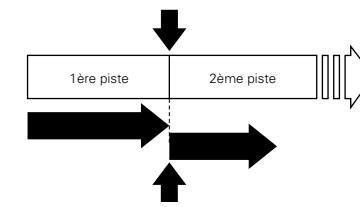


### (5) Arrêt temporaire de l'enregistrement

- L'enregistrement peut être arrêté temporairement et repris ensuite à partir de ce même point.

- 2** Pendant l'enregistrement, appuyez sur la touche pause (■ PAUSE).
- Si l'on appuie sur la touche pause (■ PAUSE) pendant l'enregistrement, le mode pause est activé à ce point et le numéro de piste change.
  - Appuyez sur la touche de lecture (▶ PLAY) pour terminer l'enregistrement.

① Appuyez sur la touche pause (■ PAUSE).



② Appuyez sur la touche de lecture (▶ PLAY).

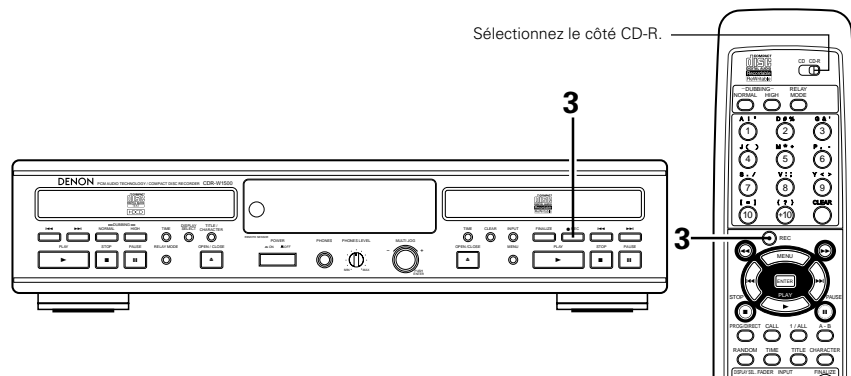
- Un blanc d'environ 2 secondes est inséré avant de reprendre l'enregistrement.

## 2 Enregistrement synchronisé de disque (DISC SYNCHRO)

- ★ Ce mode est utilisé lors de l'enregistrement de toutes les pistes du CD ou MD du côté lecture.
- ★ Veuillez consulter aussi "Méthode de paramétrage (3) Réglages du niveau d'enregistrement synchronisé", page 42.

(Unité principale)

(Télécommande)



<b>1</b>	Effectuez les opérations de la section "Enregistrement manuel", page 47, réglez les jacks d'entrée et le niveau d'enregistrement et activez le mode stop.
<b>2</b>	Effectuez la procédure "Méthode de paramétrage (2) Réglage du mode enregistrement synchronisé" page 42 et sélectionnez le mode de copie synchronisée ou complète de CD. <ul style="list-style-type: none"> <li>• L'indication "SYNC" s'allume.</li> </ul>
<b>3</b>	Appuyez sur la touche d'enregistrement. <ul style="list-style-type: none"> <li>• Le mode pause d'enregistrement est activé et l'indication "Disc Synchro" (Synchro de toutes les pistes) ou "Make CD" (Copie complète) est affichée.</li> </ul>
<b>4</b>	Utilisez un lecteur CD, une platine magnétocassette ou une autre source pour lire les pistes que vous souhaitez enregistrer. <ul style="list-style-type: none"> <li>• L'enregistrement démarre automatiquement.</li> <li>• En mode copie complète (Make CD), la finalisation est effectuée automatiquement en fin d'enregistrement.</li> <li>* Veuillez consulter aussi "Méthode de paramétrage (3) Réglages du niveau d'enregistrement synchronisé", page 42.</li> </ul>
<ul style="list-style-type: none"> <li>• Pour arrêter l'enregistrement synchronisé, appuyez sur la touche stop.</li> </ul>	

### REMARQUE:

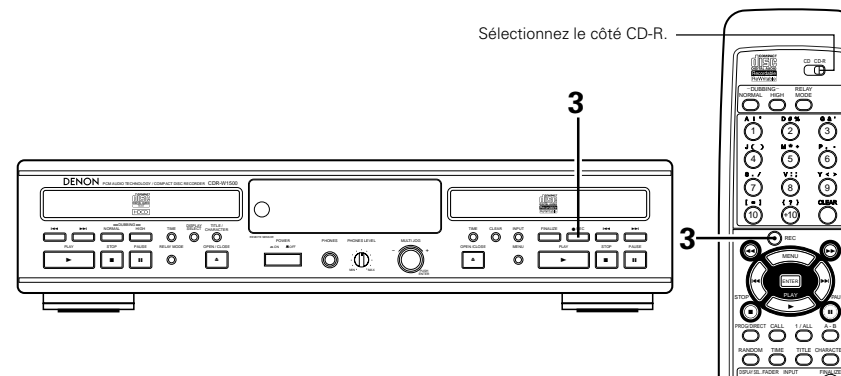
- Si vous souhaitez entrer des données de texte, sélectionnez le mode "Disc Synchro" (Copie sync. de toutes les pistes). Avec les disques CD-R, les données de texte ne peuvent être entrées qu'une fois le disque finalisé.

## 3. Enregistrement synchronisé d'une seule piste (1Tr SYNCHRO)

- ★ Ce mode est utilisé pour enregistrer une seule piste.
- ★ Veuillez consulter aussi "Méthode de paramétrage (3) Réglages du niveau d'enregistrement synchronisé", page 42.

(Unité principale)

(Télécommande)



<b>1</b>	Effectuez les opérations de la section "Enregistrement manuel", page 47, réglez les jacks d'entrée et le niveau d'enregistrement et activez le mode stop.
<b>2</b>	Effectuez les opérations de la "Méthode de paramétrage (2) Réglage du mode enregistrement synchronisé" page 42 et sélectionnez le mode de copie synchronisée de piste. <ul style="list-style-type: none"> <li>• L'indication "1Tr SYNC" s'allume.</li> </ul>
<b>3</b>	Appuyez sur la touche d'enregistrement. <ul style="list-style-type: none"> <li>• Cette opération active le mode pause d'enregistrement et affiche l'indication "1Tr Synchro".</li> </ul>
<b>4</b>	Utilisez un lecteur CD, une platine magnétocassette ou une autre source pour lire les pistes que vous souhaitez enregistrer. <ul style="list-style-type: none"> <li>• L'enregistrement démarre automatiquement.</li> <li>* Veuillez consulter aussi "Méthode de paramétrage (3) Réglages du niveau d'enregistrement synchronisé", page 42.</li> </ul>
<ul style="list-style-type: none"> <li>• Pour arrêter l'enregistrement synchronisé, appuyez sur la touche stop.</li> <li>• S'il y a une section silencieuse de 3 secondes ou plus, l'enregistrement s'arrête lorsque la plage suivante commence.</li> <li>• L'enregistrement s'arrête s'il y a une section silencieuse de 10 secondes ou plus.</li> </ul>	

**4. Enregistrement avec fondu de début et de fin d'enregistrement**

★ Il est possible d'enregistrer en augmentant progressivement le volume (fondu de début) ou en le diminuant (fondu de fin).

**(1) Enregistrement avec fondu de début**

\* Veuillez consulter aussi "Méthode de paramétrage (5) Réglage de la durée du fondu de début" (page 43).

<b>1</b>	Effectuez les étapes 1 à 8 de la procédure "Enregistrement manuel" (page 47).
<b>2</b>	Lancez la lecture de la sélection que vous souhaitez enregistrer sur le lecteur CD, platine magnétocassette, etc.
<b>3</b>	Appuyez sur la touche de fondu de la télécommande. <ul style="list-style-type: none"> <li>• L'indication "Fade In" s'affiche et "FADE" clignote pendant l'opération de fondu.</li> <li>• Le son enregistré est augmenté progressivement du niveau d'enregistrement de -∞ jusqu'au niveau réglé, dans le délai réglé.</li> </ul>

**(2) Enregistrement avec fondu de fin**

\* Veuillez consulter aussi "Méthode de paramétrage (6) Réglage de la durée de fondu de fin de piste" (page 43).

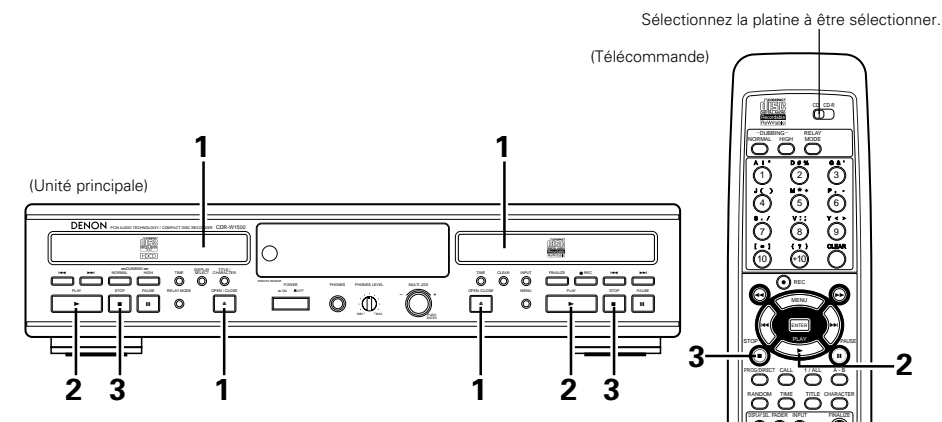
<b>1</b>	Pendant l'enregistrement, appuyez sur la touche de fondu de la télécommande. <ul style="list-style-type: none"> <li>• L'indication "Fade Out" s'affiche et "FADE" clignote pendant l'opération de fondu.</li> <li>• Le son enregistré est diminué progressivement du niveau d'enregistrement réglé jusqu'au niveau de -∞, dans le délai réglé.</li> </ul>
----------	---

**REMARQUE:**

- La fonction d'enregistrement avec fondu en entrée/sortie ne fonctionne pas en mode synchro ou en mode d'enregistrement de copie. Enregistrer manuellement si l'on veut utiliser la fonction de fondu en entrée/sortie.

**12 LECTURE NORMALE****1. Lancement de la lecture**

Essayez d'abord de jouer les pistes dans l'ordre.



<b>1</b>	Chargez le disque à jouer.
<b>2</b>	<ul style="list-style-type: none"> <li>• Appuyez sur la touche de lecture (▶) pour lancer la lecture du CD.</li> <li>• L'indication "▶" s'allume et le numéro de piste et la durée de lecture de la piste s'affichent.</li> <li>• Appuyez sur la touche TIME, une, deux ou trois fois pour voir: Le temps restant, le temps total restant, le temps écoulé.</li> </ul>

**REMARQUE:**

- L'indication "No Disc" (Pas de disque) s'affiche s'il n'y a pas de disque chargé, si celui-ci ne peut être lu correctement en raison de rayures ou de saleté ou encore, s'il est chargé à l'envers.

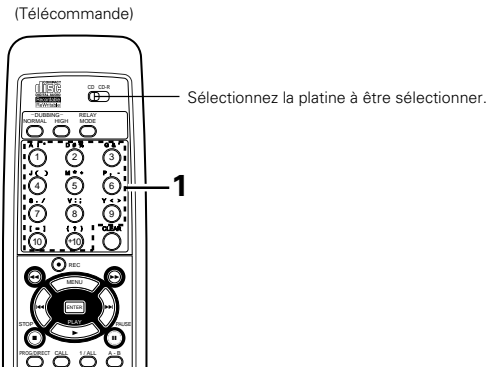
**2. Lancement de la lecture**

<b>3</b>	Appuyez sur la touche d'arrêt (■ STOP). <ul style="list-style-type: none"> <li>• La lecture s'arrête.</li> <li>• Le mode stop est activé automatiquement une fois que toutes les pistes du disque ont été jouées.</li> </ul>
----------	--

# 14 DIVERSES FONCTIONS DE LECTURE

En plus de la lecture normale, le CDR-W1500 propose aussi les fonctions de lecture décrites ci-dessous.

## 1. Lecture d'une piste en particulier (télécommande uniquement) ..... Recherche directe

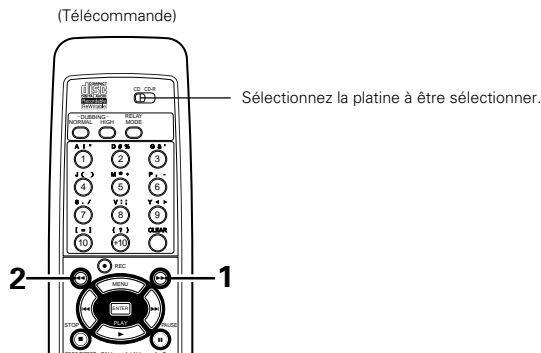


**1** Utilisez les touches numérotées (1 à 10) et la touche +10 pour entrer le numéro de la piste souhaitée.

- Par exemple: Appuyez sur la touche, **4** pour écouter jusqu'à la 4ème piste, **+10** et **2** pour écouter jusqu'à la 12ème piste et **+10**, **+10** et **10** pour écouter jusqu'à la 30ème piste. La lecture commence à partir de cette piste.

## 2. Repérage de la position désirée pendant l'écoute du son ..... Recherche manuelle

- Utilisez cette fonction pour sauter rapidement les pistes du disque tout en écoutant le son. Cette fonction est très pratique lorsque vous souhaitez trouver une section particulière à l'intérieur d'une longue piste.



### (1) Recherche avant

**1** Pendant la lecture, appuyez sur la touche de recherche manuelle avant (▶▶) tout en la maintenant enfoncée.

- La lecture normale s'arrête à partir de l'instant où la touche est relâchée.
- La lecture s'arrête lorsque la fin de la dernière piste du disque est atteinte pendant que l'on appuie sur la touche de recherche manuelle avant (▶▶).
- Pour effectuer une recherche manuelle avant à grande vitesse sans écouter le son, appuyez sur la touche de recherche manuelle avant (▶▶) en mode pause.

Appuyez sur la touche de recherche manuelle avant (▶▶) tout en la maintenant enfoncée.

Lecture Saut Saut Saut Saut Saut

### (2) Recherche en arrière

**2** Pendant la lecture, appuyez sur la touche de recherche manuelle arrière (◀◀) tout en la maintenant enfoncée.

- La lecture normale s'arrête à partir de l'instant où la touche est relâchée.
- La recherche manuelle s'arrête et la lecture démarre si le début de la première piste du disque est atteint pendant que l'on appuie sur la touche de recherche manuelle arrière (◀◀).
- Pour effectuer une recherche manuelle arrière à grande vitesse sans écouter le son, appuyez sur la touche de recherche manuelle arrière (◀◀) en mode pause.

Appuyez sur la touche de recherche manuelle arrière (◀◀) tout en la maintenant enfoncée.

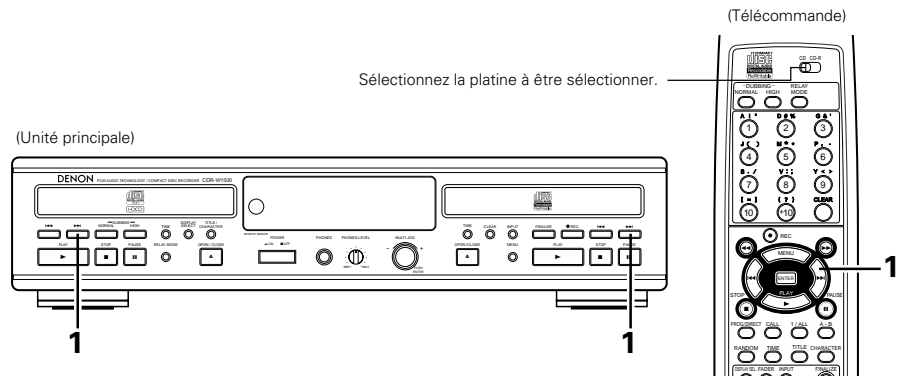
Saut Saut Saut Saut Saut

#### REMARQUE:

- Une petite coupure de son peut se faire entendre en retournant en lecture normale à partir du mode de recherche manuelle.

## 3. Repérage du début des plages pendant la lecture ..... Recherche automatique

### (1) Déplacement avant au début de la piste suivante



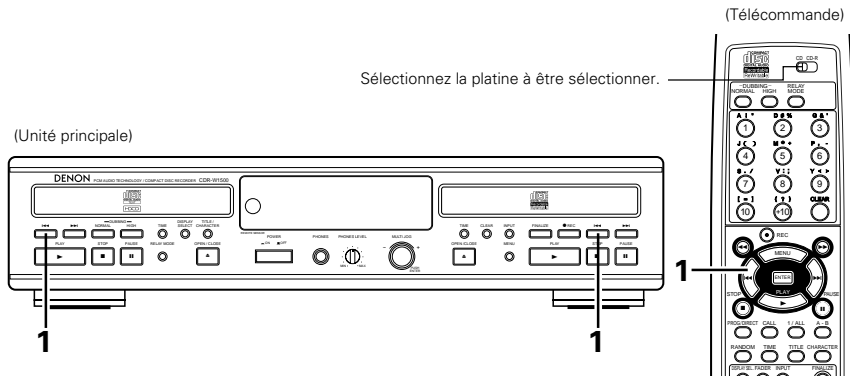
**1** Appuyez sur la touche de recherche automatique avant (▶▶▶).

- Pendant l'opération de recherche, appuyez à nouveau sur la touche de recherche automatique avant (▶▶▶) pour aller en avant au début de la piste suivante.

Appuyez sur la touche de recherche automatique avant (▶▶▶).

Lecture Saut Saut Saut Saut Saut

**(2) Déplacement arrière au début de la piste actuelle**



Sélectionnez la platine à être sélectionner.

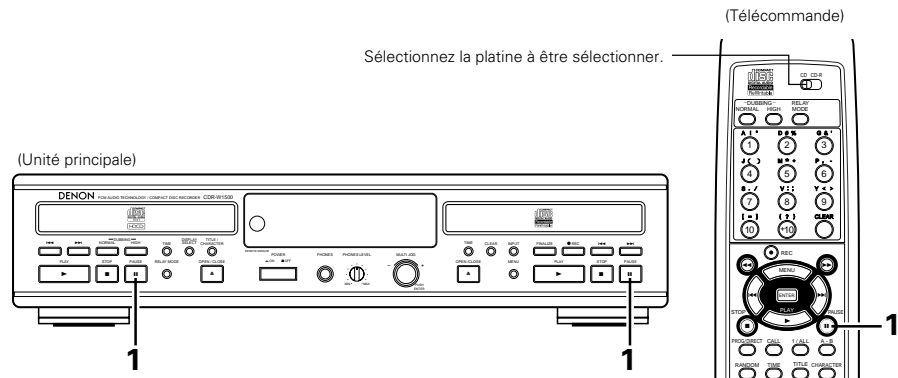
**1** Appuyez sur la touche de recherche automatique arrière (◀◀).

- Pendant l'opération de recherche, appuyez à nouveau sur la touche de recherche automatique arrière (◀◀) pour aller en arrière au début de la piste précédente.

**4. Arrêt temporaire de la lecture**

**Pause**

- Utilisez cette fonction pour arrêter temporairement la lecture et la reprendre ensuite à partir du même point.



Sélectionnez la platine à être sélectionner.

**1** Appuyez sur la touche pause (|| PAUSE).

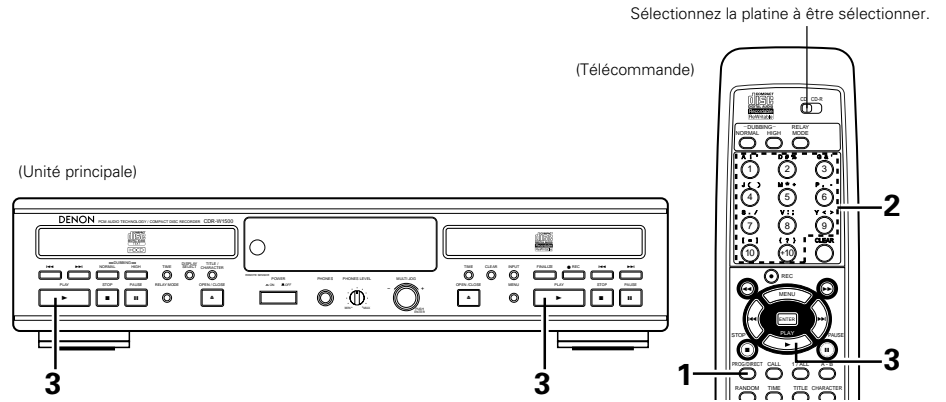
- Le mode pause est activé.
- Appuyez sur la touche de lecture (▶ PLAY) pour reprendre ensuite à partir du point où le mode pause a été activé.

② Appuyez sur la touche de lecture (▶ PLAY).

**5. Lecture des pistes dans un certain ordre**

**Lecture programmée**

- Utilisez cette fonction pour sélectionner certaines pistes du disque et les programmer pour les lire dans un certain ordre.
- Jusqu'à 30 pistes peuvent être programmées.



Sélectionnez la platine à être sélectionner.

- 1** En mode stop, appuyez sur la touche PROG/DIRECT.
- L'indication "PROG" s'allume.
- 2** Utilisez les touches numérotées et la touche +10 pour sélectionner les pistes pour la lecture programmée.
- Par exemple, pour programmer les 3ème, 12ème et 7ème piste, Appuyez sur la séquence de touches [PROG/DIRECT], [3], [+10], [2] et [7].
- 3** Appuyez sur la touche de lecture (▶ PLAY).
- Les pistes sont jouées dans l'ordre programmé.

- Pour vérifier le contenu du programme, appuyez sur la touche de rappel (CALL). Les pistes programmées s'affichent dans l'ordre programmé chaque fois que la touche de rappel (CALL) est enfoncée.
- Pour modifier le programme, appuyez sur la touche d'effacement (CLEAR) en mode stop et ensuite, programmez la piste souhaitée. La dernière piste programmée est remplacée par la nouvelle piste programmée.
- Pour effacer le programme en totalité, appuyez sur la touche PROG/DIRECT ou d'ouverture/fermeture (▲ OPEN/CLOSE) en mode stop.

**REMARQUES:**

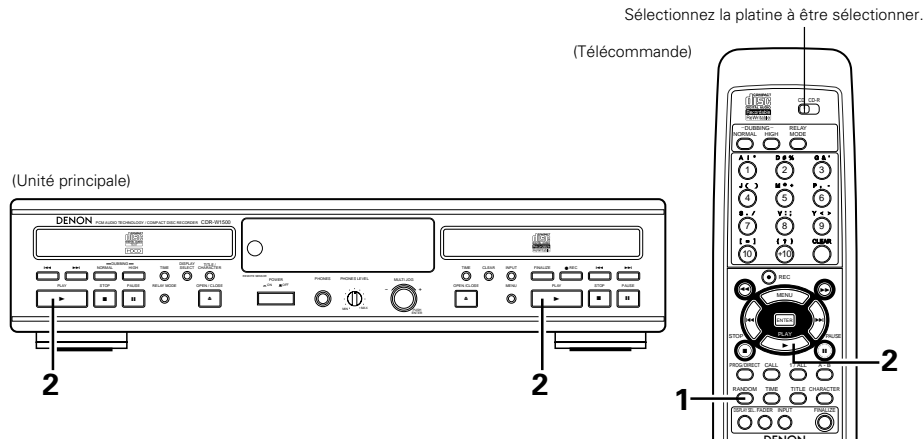
- Le mode de lecture d'une seule piste ne peut être activé pendant la lecture programmée.
- Les programmes avec durée de lecture totale supérieure à 99 minutes peuvent être réglés mais la durée ne sera pas affichée correctement.
- La lecture programmée est impossible avec les disques non finalisés.
- Il n'est pas possible d'effectuer la recherche directe pendant la lecture programmée.
- Les numéros de page de 21 ou plus ne peuvent pas être programmés pour des disques contenant plus de 20 pages, mais si cela est effectué, la durée n'est pas affichée correctement.



6. Lecture en ordre aléatoire

Lecture aléatoire

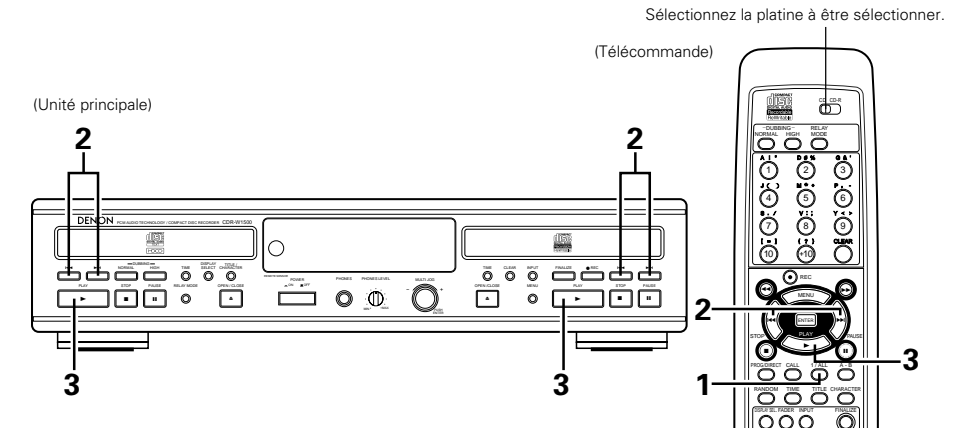
- Utilisez cette fonction pour effectuer une fois la lecture de toutes les piste du disque en ordre aléatoire.



7. Lecture à répétition

Lecture à répétition

(1) Lecture à répétition d'une seule piste [Single Track Repeat]



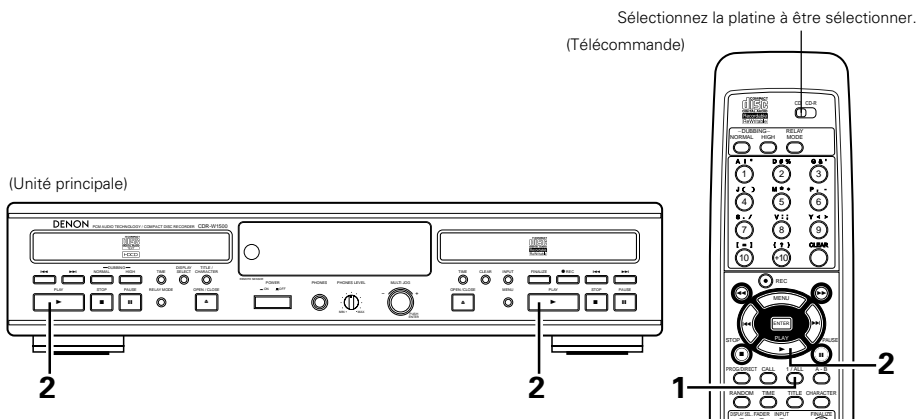
<b>1</b>	<p>En mode stop, appuyez sur la touche de lecture aléatoire (RANDOM).</p> <ul style="list-style-type: none"> <li>L'indication "RAND" s'allume.</li> </ul>
<b>2</b>	<p>Appuyez sur la touche de lecture (▶ PLAY).</p> <ul style="list-style-type: none"> <li>Pendant la lecture normale: Les pistes sont automatiquement jouées en ordre aléatoire.</li> <li>Pendant la lecture à répétition de toutes les pistes: Toutes les pistes sont jouées une fois en ordre aléatoire et ensuite la lecture est répétée dans un autre ordre aléatoire.</li> <li>Pour annuler le mode de lecture aléatoire, activez le mode stop ou appuyez à nouveau sur la touche de lecture aléatoire (RANDOM).</li> </ul>

**REMARQUES:**

- Le mode de lecture à répétition d'une seule piste et A-B ne peut être activé pendant la lecture aléatoire.
- La lecture aléatoire n'est pas possible avec les disques non-finalisés.

<b>1</b>	<p>Appuyez une fois sur la touche de lecture à répétition d'une ou de toutes les pistes (1/ALL).</p> <ul style="list-style-type: none"> <li>L'indication "REPEAT 1" s'allume à l'affichage et le mode de lecture à répétition d'une seule piste est activé.</li> </ul>
<b>2</b>	<p>Utilisez les touches de recherche automatique (◀◀ et ▶▶) pour sélectionner la piste à jouer à répétition.</p>
<b>3</b>	<p>Appuyez sur la touche de lecture (▶ PLAY).</p> <ul style="list-style-type: none"> <li>La lecture démarre.</li> <li>Une fois que la piste sélectionnée est terminée, celle-ci est rejouée à nouveau depuis le début.</li> <li>Le mode de lecture à répétition d'une seule piste peut aussi être activé en appuyant sur la touche de lecture à répétition d'une ou de toutes les pistes (1/ALL) pendant la lecture. La piste actuelle est jouée à répétition.</li> <li>Pour annuler le mode de lecture à répétition d'une seule piste, appuyez sur la touche de lecture à répétition d'une ou de toutes les pistes (1/ALL) plusieurs fois jusqu'à ce que l'indication "REPEAT" s'éteigne.</li> </ul> <div style="text-align: right;"> <p>Appuyez une fois sur la touche de lecture à répétition d'une ou de toutes les pistes (1/ALL).</p> <p>Cette opération est répétée.</p> </div>

**(2) Lecture à répétition de toutes les pistes [All Track Repeat]**



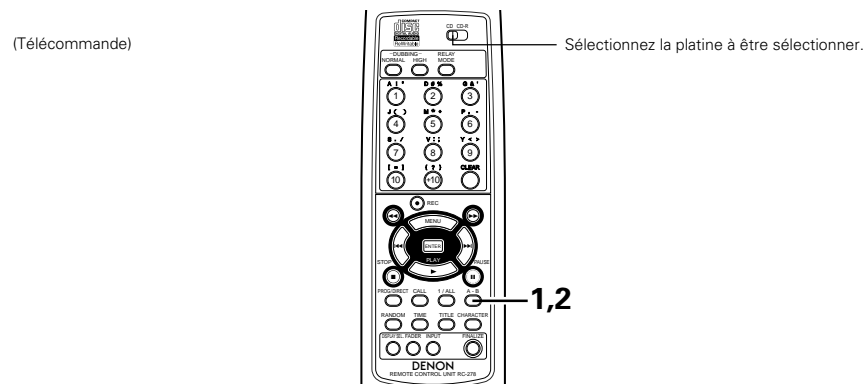
- 1** Appuyez deux fois sur la touche de lecture à répétition d'une ou de toutes les pistes (1/ALL).
  - L'indication "REPEAT" s'allume à l'affichage et le mode de lecture à répétition de toutes les pistes est activé.
- 2** Appuyez sur la touche de lecture ► PLAY).
  - Le disque est joué à répétition.
  - Le mode de lecture à répétition de toutes les pistes peut aussi être activé en appuyant deux fois sur la touche de lecture à répétition d'une ou de toutes les pistes (1/ALL) pendant la lecture.
  - Si l'on appuie sur la touche de lecture à répétition d'une ou de toutes les pistes (1/ALL) pendant la lecture programmée, les pistes sont jouées à répétition dans l'ordre programmé.
  - Pour annuler le mode de lecture à répétition de toutes les pistes, appuyez sur la touche de lecture à répétition d'une ou de toutes les pistes (1/ALL) plusieurs fois jusqu'à ce que l'indication "REPEAT" s'éteigne.

**REMARQUES:**

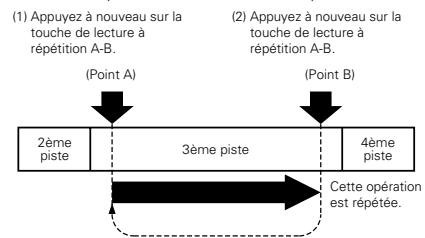
- Le mode de lecture d'une seule piste ne peut être activé pendant la lecture programmée ou la lecture aléatoire.
- La lecture à répétition n'est pas possible avec les disques non-finalisés.

**(3) Lecture d'une section entre deux points A et B à répétition [A-B Repeat]**

★ Cette fonction vous permet de jouer une certaine section de piste à répétition.



- 1** Pendant la lecture, appuyez sur la touche de lecture à répétition A-B au point où vous souhaitez commencer la lecture à répétition (point A).
  - L'indication "REPEAT A-" s'allume.
- 2** Appuyez à nouveau sur la touche de lecture à répétition A-B au point où vous souhaitez arrêter la lecture à répétition (point B).
  - L'indication "REPEAT A-B" s'allume, le capteur de lecture retourne au point A et la section est jouée à répétition.



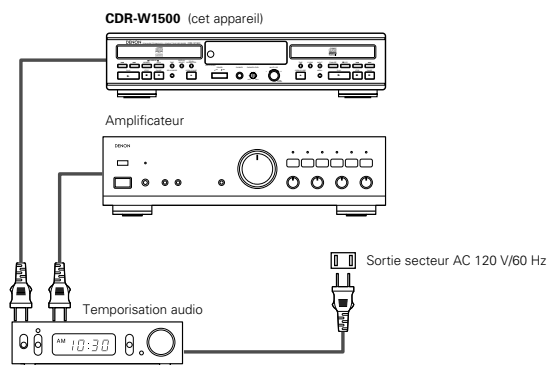
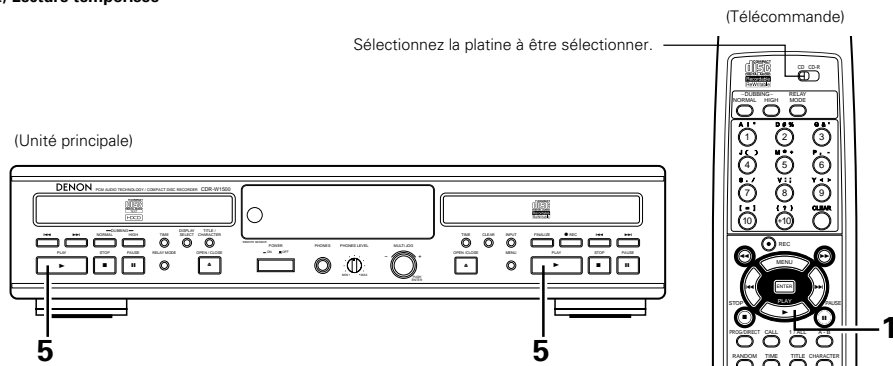
- Pour arrêter la lecture à répétition A-B, appuyez sur la touche de lecture à répétition A-B sur la télécommande jusqu'à ce que l'indication "REPEAT" s'éteigne. Le mode de lecture à répétition A-B est annulé et la lecture normale démarre depuis le début de la piste actuelle.
- Si l'on appuie sur la touche stop (■ STOP), le mode de lecture à répétition A-B est annulé et le mode stop est activé.

**REMARQUES:**

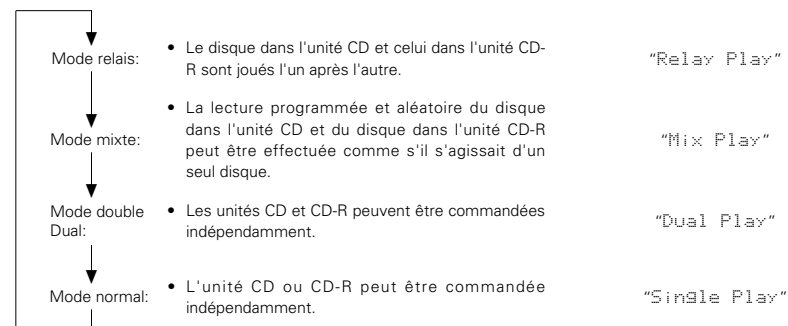
- Il est impossible d'utiliser le mode de lecture à répétition A-B pendant la lecture programmée ou aléatoire.
- Les fonctions recherche automatique et manuelle ne peuvent être utilisées pendant la lecture à répétition A-B ou lors du réglage du point B.
- Lorsque la lecture à répétition A-B est annulée si le point B est réglé sur une piste différente de celle du point A, la lecture reprend depuis le début de la piste en cours quand le mode de lecture à répétition A-B est annulé.
- La lecture à répétition A-B n'est pas possible avec les disques non-finalisés.

**8. Lecture temporisée**

- Une temporisation audio vendue séparément peut être utilisée pour lancer la lecture ou l'enregistrement à une heure spécifiée.
- Veuillez-vous référer aussi aux instructions d'utilisation de la temporisation audio et de l'amplificateur.
- Le programme et le mode de relais peuvent être aussi utilisés.

**(1) Connexions****(2) Lecture temporisée****14 MODE RELAIS****Mode relais**

- ★ Différents types de lecture et d'enregistrement peuvent être effectués par opérations en relais entre les unités CD et CD-R de l'ensemble.
- ★ Trois modes de lecture en relais sont disponibles.
- ★ Le mode réglé est enregistré en mémoire, mais les données peuvent être effacées si l'alimentation est coupée pendant 2 ou 3 jours.
- Le mode se commute à chaque pression sur la touche RELAY MODE comme indiqué ci-dessous.

**REMARQUE:**

- L'enregistrement, la finalisation et l'édition sont impossibles en mode relais ou mixte.

<b>1</b>	Mettez sous tension le CDR-W1500 et les composants connectés.
<b>2</b>	Effectuez les opérations de la procédure "Méthode de paramétrage (10) Réglage du mode de lecture temporisée" (page 44) et effectuer la lecture temporisée sur le réglage.
<b>3</b>	Chargez le disque pour la lecture temporisée dans le CDR-W1500.
<b>4</b>	Réglez le sélecteur d'entrée de l'amplificateur sur "CD".
<b>5</b>	Appuyez sur la touche de lecture (▶ PLAY). • Lancez la lecture du disque pour vérifier le volume.
<b>6</b>	Réglez la temporisation audio sur l'horaire souhaité. • L'alimentation des composants connectés à la temporisation audio se coupe. • Lorsque l'heure de réglage est atteinte, l'alimentation des divers composants s'active automatiquement et la lecture commence à partir de la piste une.
<ul style="list-style-type: none"> <li>• Les réglages du mode de programme, du mode aléatoire, du mode relais, etc., sont mémorisés dans la mémoire avant que l'appareil soit éteint.</li> <li>• S'il n'y a pas de disque dans l'unité CD et un disque est chargé dans l'unité CD-R: La lecture par minuterie ne fonctionne pas lorsque le mode relais est réglé en position normale ou double. La lecture par minuterie fonctionne pour l'unité CD-R lorsque le mode relais est réglé en position relais ou mixte.</li> </ul>	

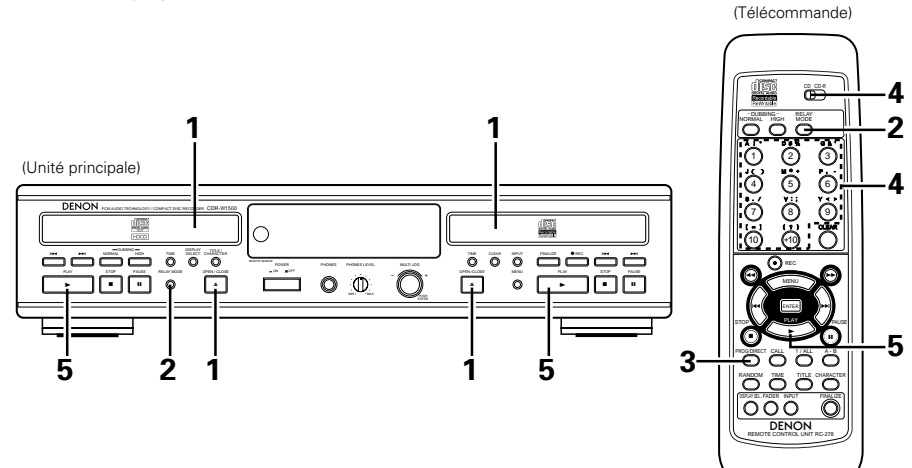
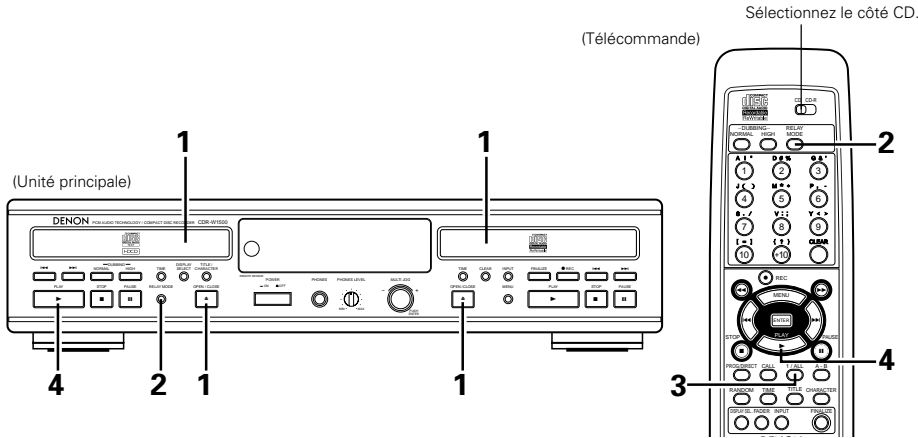
**1. Lecture en relais**

- ★ Avec le mode de lecture en relais, il est possible de jouer le disque dans le lecteur CD et celui dans le graveur CD-R en relais.
- ★ Les modes lecture programmée et aléatoire peuvent être préréglés pour les disques dans les unités CD et CD-R.

**2. Mode mixte**

- ★ En mode mixte, la lecture programmée et aléatoire du disque dans l'unité CD et de celui dans l'unité CD-R peut être effectuée comme s'il s'agissait d'un seul disque.

**(1) Lecture mixte programmée**



<b>1</b>	Chargez les disques que vous souhaitez jouer dans les unités CD et CD-R.						
<b>2</b>	Appuyez sur la touche RELAY MODE et sélectionnez "Relay Play". <ul style="list-style-type: none"> <li>• L'indication "RELAY" s'allume.</li> </ul>						
<b>3</b>	Utilisez la touche de lecture à répétition d'une ou de toutes les pistes (1/ALL) de la section CD ou CD-R de la télécommande pour activer ou désactiver le mode de lecture à répétition. <ul style="list-style-type: none"> <li>• Le mode de lecture à répétition d'une seule piste ne peut être activé en mode relais.</li> <li>• L'opération de relais est effectuée comme illustré ci-dessous suivant la combinaison du relais et les modes de lecture à répétition:</li> </ul> <table border="1" style="width: 100%; text-align: center;"> <thead> <tr> <th>Mode répétition</th> <th>Opération de relais</th> </tr> </thead> <tbody> <tr> <td>Répétition activée : L'indication "REPEAT" s'allume</td> <td> <div style="display: flex; justify-content: space-around; align-items: center;"> <div style="border: 1px solid black; padding: 5px;">Lecture du côté lecteur CD</div> <div style="font-size: 2em;">→</div> <div style="border: 1px solid black; padding: 5px;">Lecture du côté lecteur CD-R</div> </div> </td> </tr> <tr> <td>Répétition inactivée</td> <td>Lecture du côté lecteur CD → Lecture du côté lecteur CD-R → Arrêt</td> </tr> </tbody> </table>	Mode répétition	Opération de relais	Répétition activée : L'indication "REPEAT" s'allume	<div style="display: flex; justify-content: space-around; align-items: center;"> <div style="border: 1px solid black; padding: 5px;">Lecture du côté lecteur CD</div> <div style="font-size: 2em;">→</div> <div style="border: 1px solid black; padding: 5px;">Lecture du côté lecteur CD-R</div> </div>	Répétition inactivée	Lecture du côté lecteur CD → Lecture du côté lecteur CD-R → Arrêt
Mode répétition	Opération de relais						
Répétition activée : L'indication "REPEAT" s'allume	<div style="display: flex; justify-content: space-around; align-items: center;"> <div style="border: 1px solid black; padding: 5px;">Lecture du côté lecteur CD</div> <div style="font-size: 2em;">→</div> <div style="border: 1px solid black; padding: 5px;">Lecture du côté lecteur CD-R</div> </div>						
Répétition inactivée	Lecture du côté lecteur CD → Lecture du côté lecteur CD-R → Arrêt						
<b>4</b>	La lecture en relais démarre en appuyant sur la touche de lecture de l'unité CD. <ul style="list-style-type: none"> <li>• Le son est émis aux jacks de sortie CD/CD-R.</li> <li>• Pour quitter le mode de lecture en relais, appuyez sur la touche de mode de lecture en relais et sélectionnez "Single Play".</li> <li>• Le disque se trouvant dans l'unité qui ne fonctionne pas peut être remplacé pendant la lecture en relais.</li> </ul>						

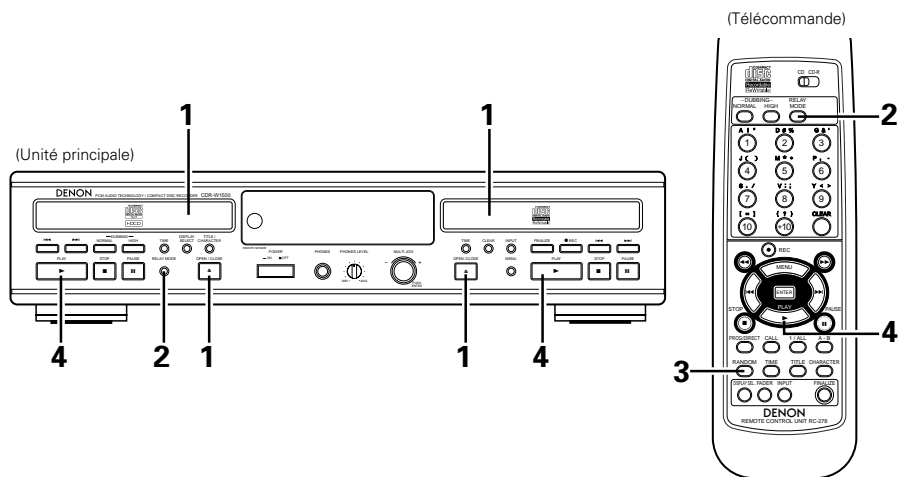
<b>1</b>	Chargez les disques que vous souhaitez jouer dans les unités CD et CD-R.
<b>2</b>	Appuyez sur la touche RELAY MODE et sélectionnez "Mix Play". <ul style="list-style-type: none"> <li>• L'indication "MIX" s'allume.</li> </ul>
<b>3</b>	Appuyez sur la touche PROG/DIRECT de l'unité CD ou CD-R de la télécommande pour activer le mode de programmation. <ul style="list-style-type: none"> <li>• L'indication "PROG" s'allume.</li> </ul>
<b>4</b>	Effectuer les opérations de la procédure "Lecture programmée" page 52 pour programmer les pistes dans l'ordre d'écoute souhaité. <ul style="list-style-type: none"> <li>• Vous pouvez programmer les pistes des deux unités CD et CD-R en utilisant la touche de sélection CD/CD-R de la télécommande pour commuter de l'un à l'autre.</li> <li>• Jusqu'à 30 pistes peuvent être programmées.</li> </ul>
<b>5</b>	La lecture programmée démarre en appuyant sur la touche de lecture des unités CD ou CD-R. <ul style="list-style-type: none"> <li>• Le son est émis aux jacks de sortie CD/CD-R.</li> <li>• Pour quitter le mode de lecture mixte, appuyez sur la touche de mode de lecture en relais et sélectionnez "Single Play".</li> </ul>

**REMARQUE:**

- Lors du relais entre un CD et un CD-R, les données numériques de la sortie CD/CD-R sont momentanément interrompues. L'entrée numérique de l'appareil externe connecté est temporairement déverrouillée à ce moment là.

**REMARQUE:**

- Lors du relais entre un CD et un CD-R, les données numériques de la sortie CD/CD-R sont momentanément interrompues. L'entrée numérique de l'appareil externe connecté est temporairement déverrouillée à ce moment là.

**(2) Lecture aléatoire mixte**

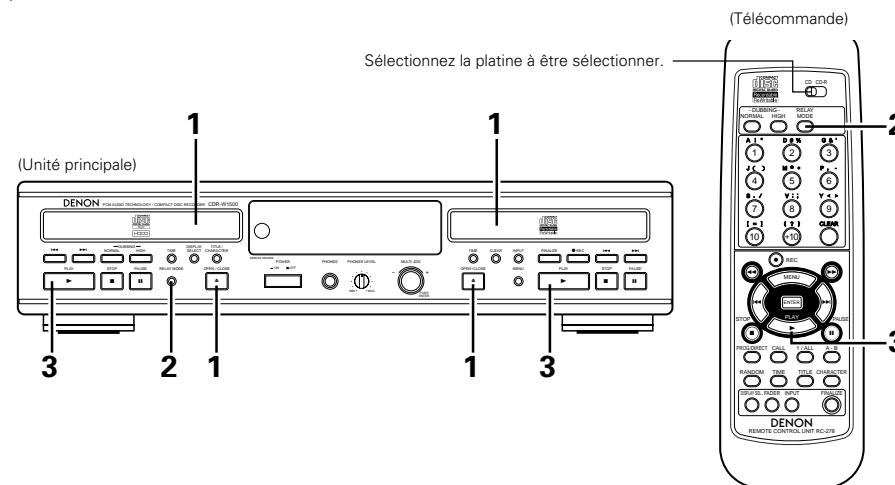
<b>1</b>	Chargez les disques que vous souhaitez jouer dans les unités CD et CD-R.
<b>2</b>	Appuyez sur la touche RELAY MODE et sélectionnez "Mix Play". <ul style="list-style-type: none"> <li>• L'indication "MIX" s'allume.</li> </ul>
<b>3</b>	Appuyez sur la touche RANDOM (Aléatoire) de l'unité CD ou CD-R de la télécommande pour activer le mode de lecture aléatoire. <ul style="list-style-type: none"> <li>• L'indication "RAND" s'allume.</li> </ul>
<b>4</b>	La lecture aléatoire mixte démarre en appuyant sur la touche de lecture des unités CD ou CD-R. <ul style="list-style-type: none"> <li>• Le son est émis aux jacks de sortie CD/CD-R.</li> <li>• Pour quitter le mode de lecture mixte, appuyez sur la touche de mode de lecture en relais et sélectionnez "Single Play".</li> </ul>

**REMARQUES:**

- Si les modes de lecture programmée et aléatoire ne sont pas activés en mode mixte, le fonctionnement est le même qu'en mode relais (avec le mode répétition inactif).
- Lors du relais entre un CD et un CD-R, les données numériques de la sortie CD/CD-R sont momentanément interrompues. L'entrée numérique de l'appareil externe connecté est temporairement déverrouillée à ce moment là.

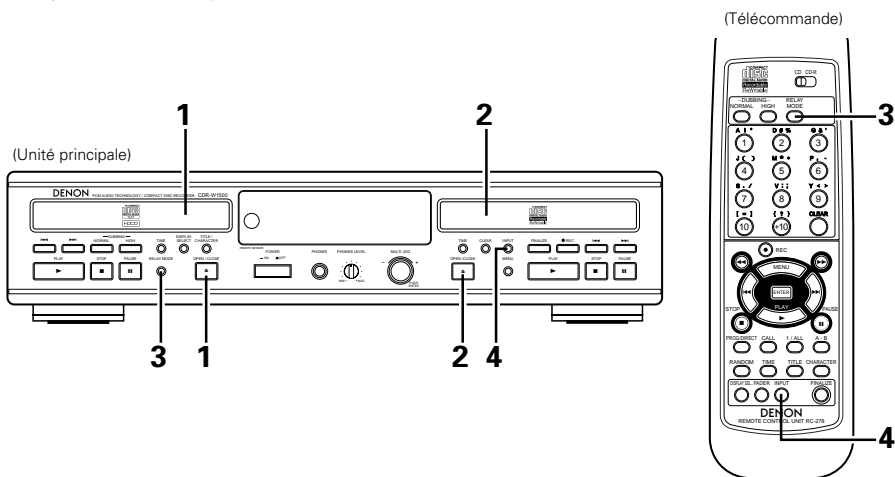
**3. Mode double (Dual)**

- ★ En mode double, Les unités CD et CD-R peuvent être commandées indépendamment.
- ★ L'enregistrement manuel à partir de la section CD de l'unité principale est possible.
- ★ Il est possible d'enregistrer à partir d'une unité externe sur l'unité CD-R tout en lisant un disque dans l'unité CD.

**(1) Lecture double**

<b>1</b>	Chargez les disques que vous souhaitez jouer dans les unités CD et CD-R.
<b>2</b>	Appuyez sur la touche RELAY MODE et sélectionnez "Dual Play". <ul style="list-style-type: none"> <li>• L'indication "DUAL" s'allume.</li> </ul>
<b>3</b>	La lecture double démarre en appuyant sur la touche de lecture des unités CD ou CD-R. <ul style="list-style-type: none"> <li>• Le son du CD est émis aux jacks de sortie CD uniquement et le son du CD-R aux jacks de sortie CD/CD-R.</li> <li>• Seul le son du CD-R est émis aux jacks de sortie casque.</li> <li>• L'affichage peut être commuté avec la touche de sélection d'affichage DISPLAY SELECT pour vérifier le temps, etc., du CD et du CD-R.</li> <li>• Pour quitter le mode de lecture double, appuyez sur la touche de mode de lecture en relais et sélectionnez "Single Play".</li> </ul>

## (2) Enregistrement manuel à partir de la section CD



<b>1</b>	Chargez le CD que vous souhaitez copier dans le lecteur CD.
<b>2</b>	Chargez le CD-R/RW sur lequel vous souhaitez enregistrer dans l'unité CD-R.
<b>3</b>	Appuyez sur la touche RELAY MODE et sélectionnez "Dual Play". • L'indication "DUAL" s'allume.
<b>4</b>	Appuyez sur la touche de sélection d'entrée et activez l'unité "CD".
<b>5</b>	Appliquez la procédure "Enregistrement à partir de sources externes", page 46 ~ 50 pour effectuer l'enregistrement. • L'affichage peut être commuté avec la touche de sélection d'affichage DISPLAY SELECT pour vérifier le temps, etc., du CD et du CD-R. • Pour quitter le mode de lecture double, appuyez sur la touche de mode de lecture en relais et sélectionnez "Single Play".

**REMARQUE:**

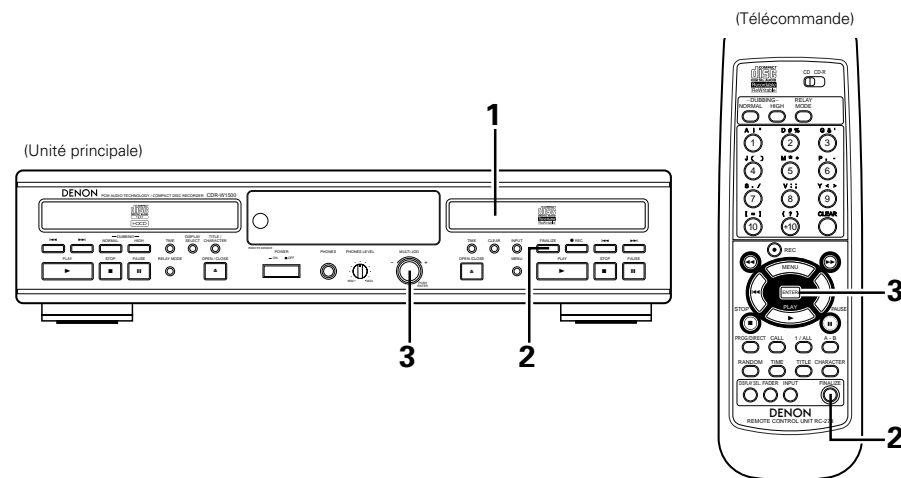
- Seuls les signaux numériques peuvent être enregistrés manuellement à partir de l'unité CD.

**15 FINALISATION DE DISQUES CD-R/RW**

- ★ La finalisation est une procédure simple nécessaire pour:
  - Lire les enregistrements sur un lecteur CD,
  - Eviter les enregistrements non souhaités sur un disque,
  - Eviter l'effacement de pistes sur un CD-RW.
- ★ Cette opération est impossible en mode relais ou mixte. Passez en mode normal ou double (dual) pour effectuer cette opération.
- ★ Fermer le tiroir de disque et régler la section CD en mode stop.

**(1) Finalisation automatique**

La finalisation automatique est possible lors de l'utilisation de la fonction de copie complète de CD "Make CD". Veuillez consulter les sections "Procédure de copie" et "Enregistrement synchronisé de disque", page 44, 49.

**(2) Finalisation manuelle**

<b>1</b>	Chargez le disque CD-R/RW à finaliser.
<b>2</b>	Le graveur à l'arrêt, appuyez sur la touche de finalisation (FINALIZE). • L'indication "Finalize OK?" s'affiche.
<b>3</b>	Appuyez sur la touche ENTER. • L'affichage décompte pendant le processus de finalisation. • Une fois l'opération terminée, le nombre total de pistes et le temps total enregistré s'affichent. • L'indication de disque à l'affichage devient "CD".

**REMARQUES:**

- Assurez-vous que le disque est totalement exempt de rayure ou de particules de poussière.
- La finalisation prend au moins 2 à 4 minutes.
- Pendant la finalisation, le graveur de CD n'accepte aucune commande.
- Les données de texte sont écrites sur le disque lors de sa finalisation. Si vous souhaitez entrer du texte, il est nécessaire d'effectuer cette opération avant la finalisation.
- Pour les détails sur l'annulation de la finalisation de CD-RW, veuillez consulter la section "Annulation de la finalisation de disques CD-RW", page 59.
- Ne jamais couper l'alimentation ou débrancher le câble d'alimentation pendant la finalisation. Cela risque de rendre le disque inutilisable.

## 16 EDITION

★ Cette opération est impossible en mode relais ou mixte. Passez en mode normal ou double (dual) pour effectuer cette opération.

★ Fermer le tiroir de disque et régler la section CD en mode stop.

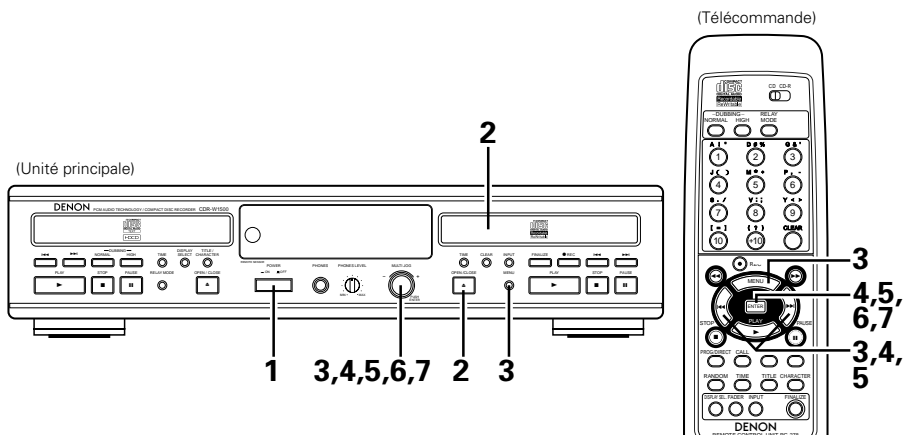
### 1. Edition de CD-R/RW

#### (1) Annulation de la finalisation de disques CD-RW

★ Cette fonction n'est valide que pour les disques CD-RW. La finalisation de disque CD-R ne peut être annulée.

★ Utilisez cette fonction pour annuler la finalisation et effectuer des enregistrements supplémentaires d'un CD-RW finalisé.

★ L'effacement s'effectue en plusieurs minutes.



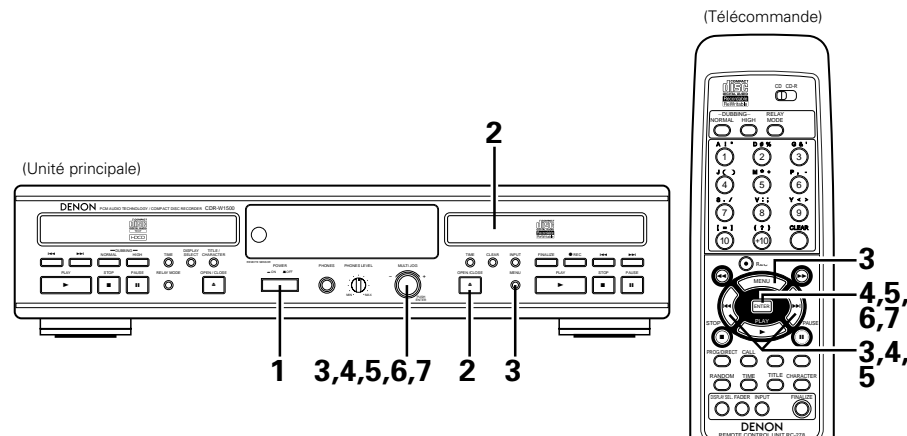
<b>1</b>	Activez l'alimentation.
<b>2</b>	Chargez le disque CD-RW sur lequel vous souhaitez annuler la finalisation.
<b>3</b>	Appuyez sur la touche MENU, faites tourner le sélecteur Jog de l'unité principale ou appuyez sur la touche de recherche automatique de la télécommande et sélectionnez le mode d'édition de CD-R/RW. • L'indication "CD-R/RW Edit?" s'affiche.
<b>4</b>	Appuyez sur la touche ENTER, faites tourner le sélecteur Jog de l'unité principale ou appuyez sur la touche de recherche automatique de la télécommande et sélectionnez le mode d'annulation de finalisation. • L'indication "CD-RW Erase?" s'affiche.
<b>5</b>	Maintenant, appuyez sur la touche ENTER, faites tourner le sélecteur Jog de l'unité principale ou appuyez sur la touche de recherche automatique de la télécommande et sélectionnez le mode d'annulation de finalisation. • L'indication "TOC Erase?" s'affiche.
<b>6</b>	Appuyez sur la touche ENTER. • L'indication "Erase OK?" s'affiche.
<b>7</b>	Appuyez à nouveau sur la touche ENTER. • L'indication "TOC Erase" clignote. • Lorsque le processus d'annulation de la finalisation est terminé, le type de disque affiché sera "CD-RW".

### (2) Effacement des plages

★ Cette opération n'est valable que pour les disques CD-RW.

★ Utilisez cette fonction pour annuler la finalisation et effectuer des enregistrements supplémentaires d'un CD-RW finalisé ou effacer des pistes enregistrées.

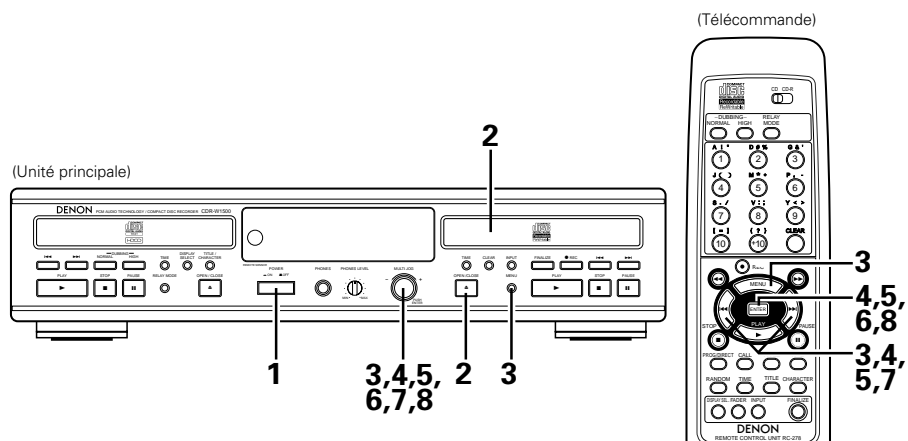
★ L'effacement s'effectue en plusieurs minutes.



<b>1</b>	Activez l'alimentation.
<b>2</b>	Chargez le disque CD-R/RW à effacer.
<b>3</b>	Appuyez sur la touche MENU, faites tourner le sélecteur Jog de l'unité principale ou appuyez sur la touche de recherche automatique de la télécommande et sélectionnez le mode d'édition de CD-R/RW. • L'indication "CD-R/RW Edit?" s'affiche.
<b>4</b>	Appuyez sur la touche ENTER, faites tourner le sélecteur Jog de l'unité principale ou appuyez sur la touche de recherche automatique de la télécommande et sélectionnez le mode d'effacement de toutes les pistes. • L'indication "CD-RW Erase?" s'affiche.
<b>5</b>	Maintenant, appuyez sur la touche ENTER, faites tourner le sélecteur Jog de l'unité principale ou appuyez sur la touche de recherche automatique de la télécommande et sélectionnez le mode d'effacement de toutes les pistes. • L'indication "All Erase?" s'affiche.
<b>6</b>	Appuyez sur la touche ENTER. • L'indication "Erase OK?" s'affiche.
<b>7</b>	Appuyez à nouveau sur la touche ENTER. • L'indication "All Erase" clignote. • Lorsque l'effacement est terminé, le temps affiché sera "Blank Disc".

**(3) Effacement d'une ou plusieurs pistes éloignées de la dernière piste**

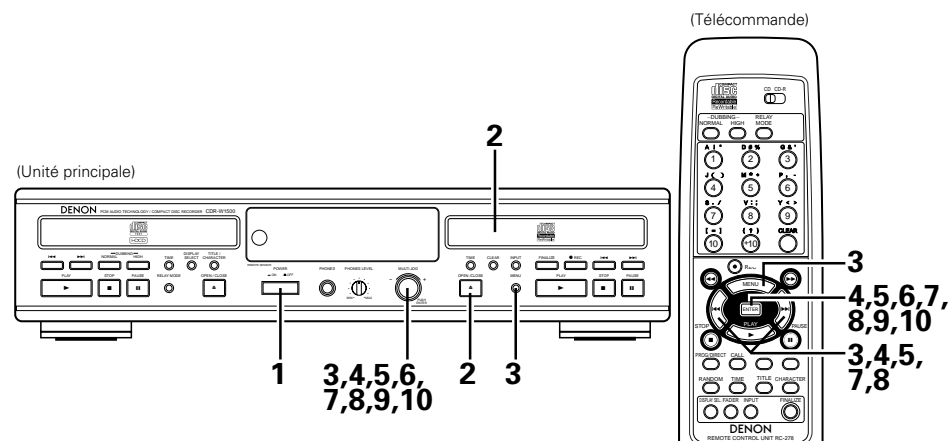
★ Pour effacer un disque CD-RW finalisé, annulez d'abord la finalisation de disque.



<b>1</b>	Activez l'alimentation.
<b>2</b>	Chargez le disque CD-R/W à effacer.
<b>3</b>	Appuyez sur la touche MENU, faites tourner le sélecteur Jog de l'unité principale ou appuyez sur la touche de recherche automatique de la télécommande et sélectionnez le mode d'édition de CD-R/W. • L'indication "CD-R/W Edit?" s'affiche.
<b>4</b>	Appuyez sur la touche ENTER, faites tourner le sélecteur Jog de l'unité principale ou appuyez sur la touche de recherche automatique de la télécommande et sélectionnez le mode d'effacement d'une seule piste. • L'indication "CD-R/W Erase?" s'affiche.
<b>5</b>	Maintenant, appuyez sur la touche ENTER, faites tourner le sélecteur Jog de l'unité principale ou appuyez sur la touche de recherche automatique de la télécommande et sélectionnez le mode d'effacement d'une seule piste. • L'indication "Tr Erase?" s'affiche.
<b>6</b>	Appuyez sur la touche ENTER. • L'indication "**-**-Tr Erase" s'affiche.
<b>7</b>	Faites tourner le sélecteur Jog de l'unité principale dans le sens contraire des aiguilles d'une montre ou appuyez sur la touche de recherche arrière automatique de la télécommande et sélectionnez le numéro des pistes que vous souhaitez effacer.
<b>8</b>	Appuyez à nouveau sur la touche ENTER. • L'indication "Tr Erase" clignote. • Lorsque l'effacement est terminé, le nombre de pistes restant après l'effacement est affiché dans une partie du calendrier musical.

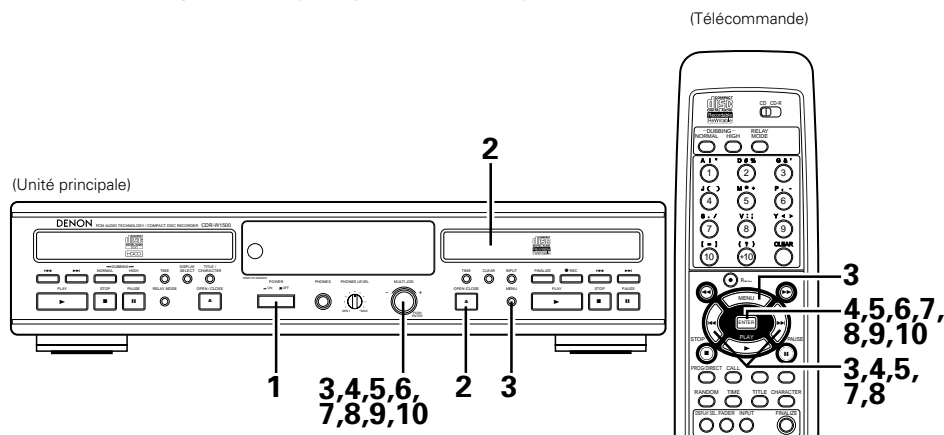
**(4) Enregistrement des pistes que vous ne souhaitez pas écouter**

★ Les pistes que vous ne souhaitez pas écouter, telles que celles contenant des erreurs d'enregistrement, peuvent être programmées pour être sautées pendant la lecture.



<b>1</b>	Activez l'alimentation.
<b>2</b>	Chargez le disque CD-R/W contenant les pistes que vous souhaitez sauter à la lecture.
<b>3</b>	Appuyez sur la touche MENU, faites tourner le sélecteur Jog de l'unité principale ou appuyez sur la touche de recherche automatique de la télécommande et sélectionnez le mode d'édition de CD-R/W. • L'indication "CD-R/W Edit?" s'affiche.
<b>4</b>	Appuyez sur la touche ENTER, faites tourner le sélecteur Jog de l'unité principale ou appuyez sur la touche de recherche automatique de la télécommande et sélectionnez le mode réglage de saut de piste. • L'indication "Skip Track?" s'affiche.
<b>5</b>	Maintenant, appuyez sur la touche ENTER, faites tourner le sélecteur Jog de l'unité principale ou appuyez sur la touche de recherche automatique de la télécommande et sélectionnez le mode réglage de saut de piste. • L'indication "Skip Set?" s'affiche.
<b>6</b>	Appuyez sur la touche ENTER. • L'indication "Skip Set --Tr" s'affiche.
<b>7</b>	Faites tourner le sélecteur Jog de l'unité principale ou appuyez sur la touche de recherche automatique de la télécommande et sélectionnez les pistes que vous souhaitez sauter. Appuyez sur la touche ENTER pour confirmer la sélection. • L'affichage du numéro de piste sélectionné clignote sur le calendrier musical.
<b>8</b>	Répétez l'étape 7 pour ajouter une autre piste.
<b>9</b>	Appuyez sur la touche pendant l'affichage de "Skip Set --Tr". • L'indication "Skip Set OK?" s'affiche.
<b>10</b>	Appuyez sur la touche ENTER. • L'indication "Now PMA Rec" est affichée et l'enregistrement est terminé. • L'affichage du numéro de piste sélectionné sur le calendrier musical est désactivé.
• L'affichage du nombre total de pages et du temps total ne change pas, même si les pages sont réglées pour être sautées.	



**(5) Annulation de l'enregistrement des pistes que vous ne souhaitez pas écouter**

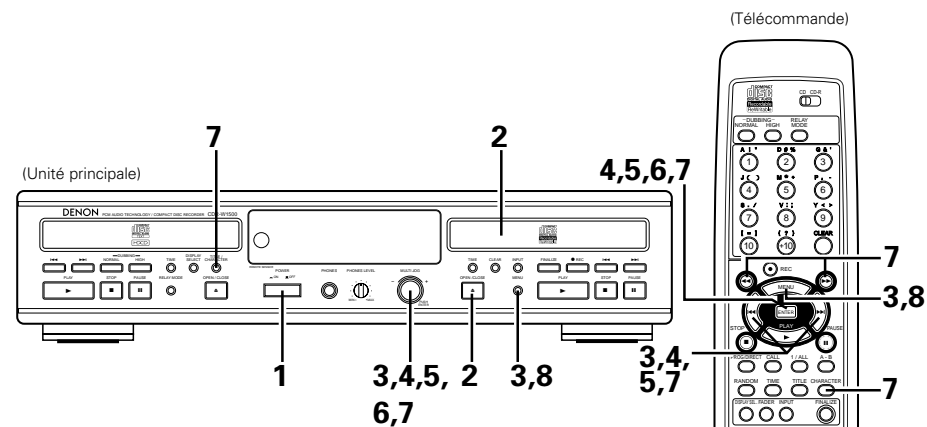
<b>1</b>	Activez l'alimentation.
<b>2</b>	Chargez le disque CD-RW sur lequel vous souhaitez annuler les réglages de pistes indésirables.
<b>3</b>	Appuyez sur la touche MENU, faites tourner le sélecteur Jog de l'unité principale ou appuyez sur la touche de recherche automatique de la télécommande et sélectionnez le mode d'édition de CD-R/RW. • L'indication "CD-R/RW Edit?" s'affiche.
<b>4</b>	Appuyez sur la touche ENTER, faites tourner le sélecteur Jog de l'unité principale ou appuyez sur la touche de recherche automatique de la télécommande et sélectionnez le mode réglage de saut de piste. • L'indication "Skip Track?" s'affiche.
<b>5</b>	Maintenant, appuyez sur la touche ENTER, faites tourner le sélecteur Jog de l'unité principale ou appuyez sur la touche de recherche automatique de la télécommande et sélectionnez le mode d'annulation du réglage des pistes à sauter. • L'indication "Skip Clear?" s'affiche.
<b>6</b>	Appuyez sur la touche ENTER. • L'indication "S. Clear --Tr." s'affiche.
<b>7</b>	Faites tourner le sélecteur Jog de l'unité principale ou appuyez sur la touche de recherche automatique de la télécommande et sélectionnez la piste dont vous souhaitez annuler le saut. Appuyez sur la touche ENTER pour confirmer la sélection. • L'affichage du numéro de piste sélectionné clignote sur le calendrier musical.
<b>8</b>	Répétez l'étape 7 pour ajouter une autre annulation.
<b>9</b>	Appuyez sur la touche ENTER pendant l'affichage de "S. Clear --Tr". • L'indication "SkipClearOK?" s'affiche.
<b>10</b>	Appuyez sur la touche ENTER. • "Now PMA Rec" est affiché et l'enregistrement est terminé.

**REMARQUES:**

- La finalisation du disque lorsque les pistes que vous ne souhaitez pas écouter ont été enregistrées déclenche automatiquement l'activation du mode lecture avec saut.
- La lecture avec saut de plage est impossible sur les lecteurs CD qui ne sont pas équipés de cette fonction.
- Les pistes que vous ne souhaitez pas écouter peuvent être enregistrées et annulées 21 fois.
- La lecture programmée ou aléatoire est impossible lorsque des pistes que vous ne souhaitez pas écouter ont été enregistrées. (La lecture programmée et la lecture aléatoire sont possibles dès que la finalisation est effectuée.)
- Il n'est pas possible d'enregistrer ou d'annuler les pistes que vous ne souhaitez pas entendre sur les CD du commerce ou les disques CD-R/RW finalisés.

**2. Edition de texte**

- Jusqu'à 23 caractères peuvent être entrés pour les titres de page et de disque.

**(1) Ajout de titre de disque**

<b>1</b>	Activez l'alimentation.
<b>2</b>	Chargez le disque CD-R/RW auquel vous souhaitez donner un titre.
<b>3</b>	Appuyez sur la touche MENU, faites tourner le sélecteur Jog de l'unité principale ou appuyez sur la touche de recherche automatique de la télécommande et sélectionnez le mode d'édition de texte. • L'indication "Text Edit?" s'affiche.
<b>4</b>	Appuyez sur la touche ENTER, faites tourner le sélecteur Jog de l'unité principale ou appuyez sur la touche de recherche automatique de la télécommande pour que l'indication "Text In?" s'affiche.
<b>5</b>	Maintenant, appuyez sur la touche ENTER, faites tourner le sélecteur Jog de l'unité principale ou appuyez sur la touche de recherche automatique de la télécommande pour faire afficher "Disc Title?".
<b>6</b>	Appuyez sur la touche ENTER. • Le curseur clignote, indiquant le mode d'attente d'entrée de titre.

Entrez le titre.

- Faites tourner le sélecteur Jog de l'unité principale ou appuyez sur les touches de recherche automatique (◀◀ et ▶▶) de la télécommande pour sélectionner le caractère souhaité.
- Certains caractères pouvant être entrés avec le CDR-W1500 ne peuvent être affichés sur d'autres modèles.

- La forme du curseur change chaque fois que l'appuie sur la touche caractère.

[Explication sur le curseur:]

.....Mode d'entrée de Majuscule/Chiffre     
 .....Mode d'entrée de caractères spéciaux

.....Mode d'entrée de Minuscule/Chiffre

[Caractères et chiffres disponibles]

Mode d'entrée de Majuscule/Chiffre:  
 ABCDEFGHIJKLMNOPQRSTUVWXYZ0123456789

Mode d'entrée de Minuscule/Chiffre:  
 abcdefghijklmnopqrstuvwxyz0123456789

Mode d'entrée de caractères spéciaux:  
 SPACE \_ ! " # \$ % & ' ( ) \* + , - . / : ; < = > ? @ [ \ ] ^ \_ ` { | } ~

- Lorsque l'on appuie sur la touche de recherche manuelle avant (▶▶) ou sur la touche ENTER, le caractère sélectionné est confirmé et l'appareil passe en mode d'attente d'entrée pour le prochain caractère.
- Le curseur peut être déplacé en arrière en appuyant sur la touche de recherche manuelle arrière (◀◀). Utilisez cette fonction pour corriger la saisie de caractères.

**8** Appuyez sur la touche MENU pour confirmer l'entrée du titre.

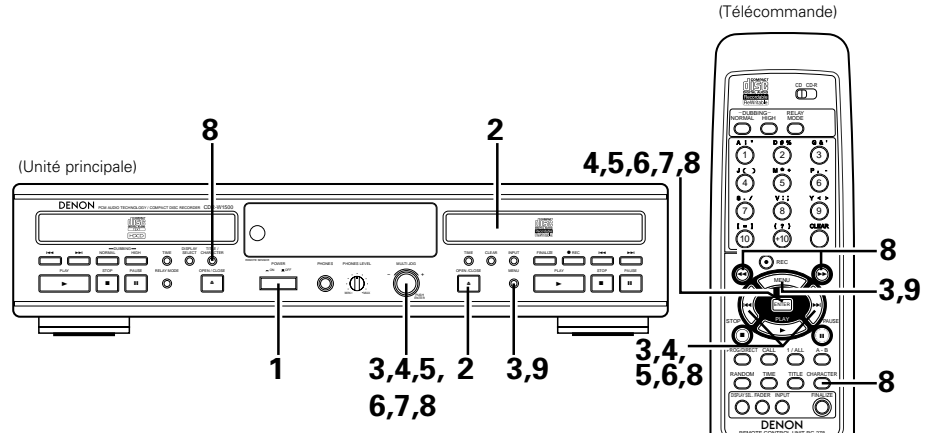
- Pour effacer un caractère, déplacez le curseur jusqu'à ce caractère et appuyez alors sur la touche d'effacement (CLEAR).
- Pour corriger la saisie d'un caractère, effacez-le d'abord et entrez ensuite le caractère correct.

\* Tourner la molette Jog pour entrer les nombres ou les caractères spéciaux qui ne sont pas sur les touches numériques ou sur la touche +10.

**[Exemple:]**  
 Pour entrer "%" à l'aide des touches numériques de la télécommande, appuyer deux fois sur la touche 2 en mode d'entrée de caractères spéciaux.

Touche	Mode d'entrée de majuscules	Mode d'entrée de minuscules	Mode d'entrée de caractères spéciaux
1	ABC	abc	! "
2	DEF	def	# %
3	GHI	ghi	& '
4	JKL	jkl	( )
5	MNO	mno	* +
6	PQR	pqr	, -
7	STU	stu	. /
8	VWX	vwx	: ;
9	YZ	yz	< >
10	-	-	[ = ]
+10	-	-	{ ? }

**(2) Ajout de titres de piste**



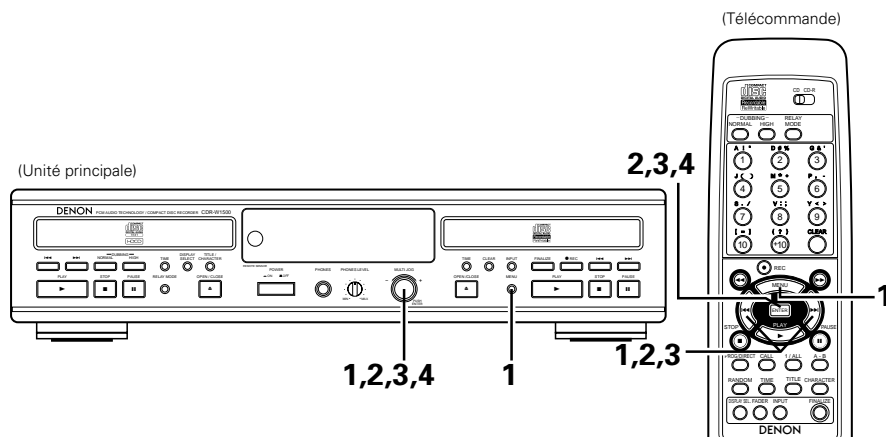
- 1 Activez l'alimentation.
- 2 Chargez le disque CD-R/RW auquel vous souhaitez donner des titres de piste.
- 3 Appuyez sur la touche MENU, faites tourner le sélecteur Jog de l'unité principale ou appuyez sur la touche de recherche automatique de la télécommande et sélectionnez le mode d'édition de texte.
  - L'indication "Text Edit?" s'affiche.
- 4 Appuyez sur la touche ENTER, faites tourner le sélecteur Jog de l'unité principale ou appuyez sur la touche de recherche automatique de la télécommande pour que l'indication "Text In?" s'affiche.
- 5 Maintenant, appuyez sur la touche ENTER, faites tourner le sélecteur Jog de l'unité principale ou appuyez sur la touche de recherche automatique de la télécommande pour faire afficher "Track Title?".
- 6 Appuyez à nouveau sur la touche ENTER, faites tourner le sélecteur Jog de l'unité principale ou appuyez sur la touche de recherche automatique de la télécommande et sélectionnez la piste à laquelle vous souhaitez donner un titre.
  - L'indication "\*\*Track Title?" s'affiche.
- 7 Appuyez sur la touche ENTER.
  - Le curseur clignote, indiquant le mode d'attente d'entrée de titre.
- 8 Entrez le titre.
  - Pour les instructions sur l'entrée de titres, voir étape 7 de la section "(1) Ajout de titres de disque", pages 62.
- 9 Appuyez sur la touche MENU pour confirmer la saisie du titre de piste.

**REMARQUES:**

- L'édition de texte n'est pas possible avec les CD audio du commerce ou les disques CD-R/RW finalisés.
- Un maximum de 23 caractères peuvent être enregistré par éléments. Approximativement 900 caractères peuvent être entrés par disque.
- Les données de texte d'information ne sont écrites sur le disque que lors de la finalisation.
- Sans finalisation, le texte d'information est conservé pendant 2 ou 3 jours après la saisie même si l'alimentation est débranchée. Ce texte d'information risque d'être perdu si l'appareil est débranché du secteur pendant une longue période.

**(3) Effacement de titres de disque**

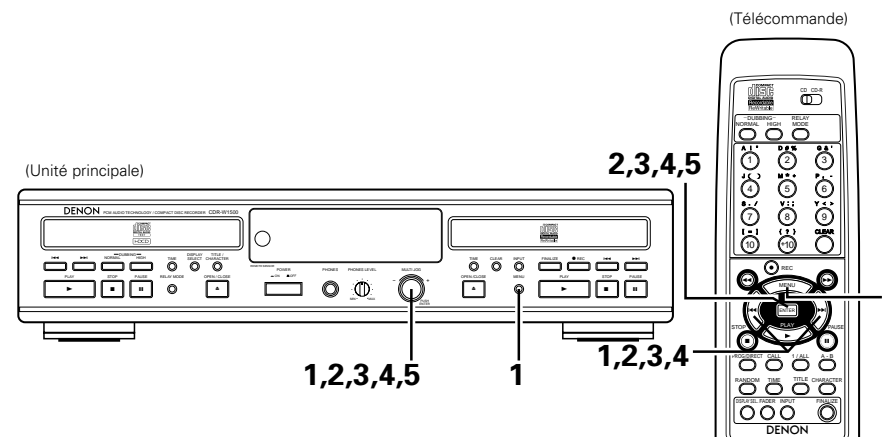
★ Si les disques CD-RW sont finalisés, les définaliser d'abord.



<b>1</b>	Appuyez sur la touche MENU, faites tourner le sélecteur Jog de l'unité principale ou appuyez sur la touche de recherche automatique de la télécommande et sélectionnez le mode d'édition de texte. • L'indication "Text Edit?" s'affiche.
<b>2</b>	Appuyez sur la touche ENTER, faites tourner le sélecteur Jog de l'unité principale ou appuyez sur la touche de recherche automatique de la télécommande pour que l'indication "Text Erase?" s'affiche.
<b>3</b>	Maintenant, appuyez sur la touche ENTER, faites tourner le sélecteur Jog de l'unité principale ou appuyez sur la touche de recherche automatique de la télécommande pour faire afficher "Disc Title?".
<b>4</b>	Appuyez sur la touche ENTER pour définir l'effacement du nom du disque. • L'indication "Complete" s'affiche.

**(4) Effacement des titres de piste**

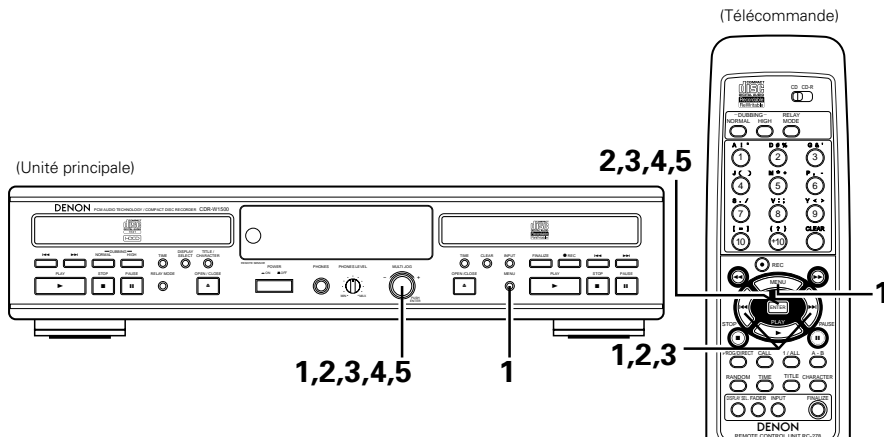
★ Si les disques CD-RW sont finalisés, les définaliser d'abord.



<b>1</b>	Appuyez sur la touche MENU, faites tourner le sélecteur Jog de l'unité principale ou appuyez sur la touche de recherche automatique de la télécommande et sélectionnez le mode d'édition de texte. • L'indication "Text Edit?" s'affiche.
<b>2</b>	Appuyez sur la touche ENTER, faites tourner le sélecteur Jog de l'unité principale ou appuyez sur la touche de recherche automatique de la télécommande pour que l'indication "Text Erase?" s'affiche.
<b>3</b>	Maintenant, appuyez sur la touche ENTER, faites tourner le sélecteur Jog de l'unité principale ou appuyez sur la touche de recherche automatique de la télécommande pour faire afficher "Track Title?".
<b>4</b>	Appuyez à nouveau sur la touche ENTER, faites tourner le sélecteur Jog de l'unité principale ou appuyez sur la touche de recherche automatique de la télécommande et sélectionnez la piste dont vous souhaitez effacer le titre. • L'indication "**Track Title?" s'affiche.
<b>5</b>	Appuyez sur la touche ENTER pour définir l'effacement du nom du disque. • L'indication "Complete" s'affiche.

**(5) Effacement de tous les titres de disque et de piste**

★ Si les disques CD-RW sont finalisés, les définaliser d'abord.



<b>1</b>	Appuyez sur la touche MENU, faites tourner le sélecteur Jog de l'unité principale ou appuyez sur la touche de recherche automatique de la télécommande et sélectionnez le mode d'édition de texte. • L'indication "Text Edit?" s'affiche.
<b>2</b>	Appuyez sur la touche ENTER, faites tourner le sélecteur Jog de l'unité principale ou appuyez sur la touche de recherche automatique de la télécommande pour que l'indication "Text Erase?" s'affiche.
<b>3</b>	Maintenant, appuyez sur la touche ENTER, faites tourner le sélecteur Jog de l'unité principale ou appuyez sur la touche de recherche automatique de la télécommande pour faire afficher "All Erase?".
<b>4</b>	Appuyez sur la touche ENTER. • L'indication "Erase OK?" s'affiche.
<b>5</b>	Appuyez sur la touche ENTER pour définir l'effacement. • L'indication "Complete" s'affiche.

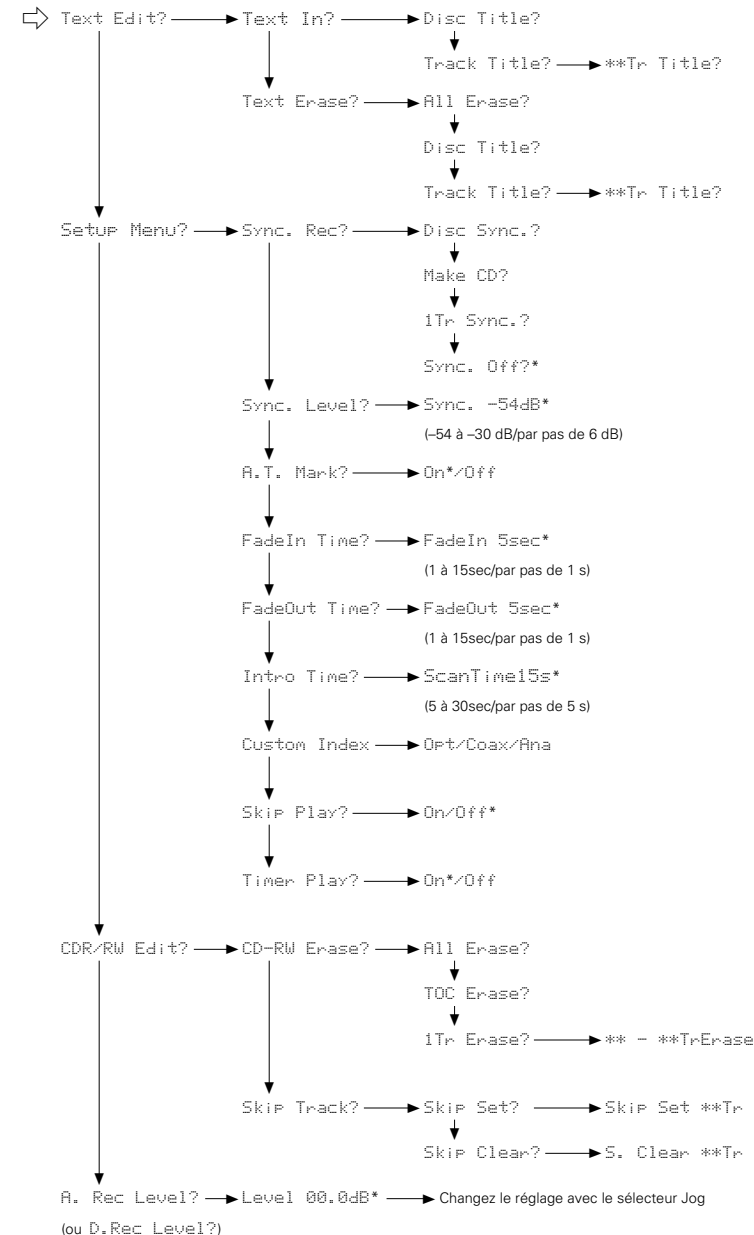
**REMARQUE:**

- L'effacement de texte n'est pas possible avec les CD audio du commerce ou les disques CD-R/RW finalisés.

**17 MODE MENU**

- Lorsque l'on appuie sur la touche MENU, le mode menu est activé et l'appareil peut être commandé comme indiqué sur le schéma ci-dessous.
- Fermer les tiroirs de disque et régler les deux sections CD et CD-R en mode stop.
- "\*" indique les valeurs par défaut.
- Faites tourner le sélecteur dans le sens des aiguilles d'une montre pour faire afficher l'indication "↓". Appuyez sur la touche ENTER pour faire afficher l'indication "→".

**MODE MENU**



Veillez-vous référer à la section "2. Edition de texte (1) Ajout de titre de disque, (2) Ajout de titres de piste" (page 61, 62).

Veillez-vous référer à la section "3. Effacement de titres de disque, (4) Effacement des titres de piste, (5) Effacement de tous les titres de disque et de piste" (page 63, 64).

Veillez-vous référer à la section "[9] METHODE DE PARAMETRAGE" (page 41 - 44).

Veillez-vous référer à la section "1. Edition de CD-R/RW" (page 59 - 61).

## 18 MESSAGES

Des messages peuvent apparaître à l'affichage pendant l'utilisation du CDR-W1500. La signification de ces messages est expliquée ci-dessous.

Message	Signification
TOC Reading	Lecture des informations du disque.
Open	Pendant l'ouverture du tiroir porte-disque.
Close	Pendant la fermeture du tiroir porte-disque.
No Disc	Aucun disque inséré, disque illisible ou inséré à l'envers.
Use Audio CD	Le disque inséré n'est pas un CD audio.
Now PMA Rec	Mise à jour du contenu du disque.
Disc Full	Impossible de poursuivre l'enregistrement.
Copy Prohibit	Aucun enregistrement numérique ne peut être effectué avec la source connectée. Voir "Copies numériques", page 37. Des signaux de données autres que des signaux audio ont été introduits. Ces signaux ne sont pas enregistrés.
Finalize *.* **	Décompte du temps pendant la finalisation d'un disque.
PlaybackOnly	Lors de tentative d'enregistrement sur un CD-R finalisé ou un CD préenregistré.
Now OPC	Pendant le calibrage de la puissance du laser pour disques non finalisés.
OPC Error	OPC pendant la procédure OPC (OPC = calibrage de la puissance optimale)
Rec Error	Une erreur s'est produite pendant l'enregistrement.
Disc Error	L'enregistrement ou la finalisation n'est pas possible à cause d'un défaut du disque.
Blank Disc	Lors de tentative d'édition d'un disque qui n'a pas de piste.
No Name	Pas de texte enregistré sur ce disque.
Sync. -**dB	Réglage de la valeur du niveau du début de l'enregistrement synchronisé.
Dig.Unlock	Connexion incorrecte du jack d'entrée numérique pendant l'enregistrement de l'entrée numérique ou le signal d'entrée n'entre pas correctement à cause de certains autres facteurs.

Message	Signification
Name Full	23 caractères de texte ou un total de 900 caractères ont déjà été entrés pour ce disque.
Mecha Error	Le disque ne fonctionne pas correctement.
All Skip Tr	Toutes les pistes sont marquées pour être sautées.
Complete	La réception du mode est terminée.
TextEraseOK?	Si le disque est retiré, toutes les données de texte sont effacées.
CD-R Short	Le temps enregistrable sur le disque est plus court que le temps de la source d'enregistrement que vous tentez de copier.
Text Protect	Les données de texte d'information sont protégées contre la copie et donc ne peuvent être copiées en mode de copie.
Now Tr Check	Les informations de piste côté CD sont en cours de vérification.

(\*" indique une lettre ou caractère.)

## 19 DEPISTAGE DES PANNES

Vérifiez à nouveau ces indications avant d'en déduire qu'il s'agit d'un dysfonctionnement du lecteur

- Est-ce que toutes les connexions sont correctes ?
- Avez-vous bien suivi les instructions du manuel ?
- L'amplificateur et les enceintes fonctionnent-ils correctement ?

Si le CDR-W1500 paraît ne pas fonctionner correctement, consultez le tableau ci-dessous. Si cela ne résoud pas le problème, il se peut que le CDR-W1500 soit endommagé. Mettre hors tension, débrancher le câble d'alimentation du secteur, et contacter le revendeur ou le service après-vente DENON le plus proche.

Symptôme	Check	Page
Pas d'alimentation.	<ul style="list-style-type: none"> <li>• Assurez-vous que la touche d'alimentation POWER est sur on.</li> <li>• Assurez-vous que le câble d'alimentation secteur est branché correctement.</li> </ul>	39 38
La fonction de marquage automatique de piste ne fonctionne pas.	<ul style="list-style-type: none"> <li>• Vérifiez si la fonction de marquage automatique de piste est activée.</li> <li>• Vérifiez s'il y a un blanc de 3 secondes entre les pistes.</li> <li>• Vérifiez si la source est une source utilisateur avec sortie numérique conforme à la norme audio IEC.</li> </ul>	42 37 -
Pas de son.	<ul style="list-style-type: none"> <li>• Vérifiez les connexions audio.</li> <li>• Si vous utilisez un amplificateur, essayez avec une autre source.</li> </ul>	38 38
Le son de l'amplificateur est déformé.	<ul style="list-style-type: none"> <li>• Vérifiez que la sortie analogique du graveur de CD n'est pas connectée à l'entrée Phono de l'amplificateur.</li> </ul>	38
La lecture ne démarre pas.	<ul style="list-style-type: none"> <li>• Vérifier que le disque est inséré avec l'étiquette vers le haut.</li> <li>• Nettoyez le disque.</li> </ul>	41 37
La télécommande ne fonctionne pas.	<ul style="list-style-type: none"> <li>• Diriger la télécommande directement vers le graveur de CD.</li> <li>• Vérifiez les piles et remplacez-les si nécessaire.</li> </ul>	40 40
N'enregistre pas.	<ul style="list-style-type: none"> <li>• Nettoyez le disque.</li> <li>• Vérifiez si le CD-R n'est pas finalisé.</li> <li>• Vérifiez que le disque est enregistrable et remplacez-le si nécessaire.</li> <li>• Vérifiez s'il reste du temps sur le disque. (L'indication "Disc Full" s'affiche.)</li> <li>• Vérifiez que vous ne tentez pas l'enregistrement numérique d'une source déjà enregistrée numériquement. (L'indication "COPY Prohibited" s'affiche.)</li> <li>• Vérifiez si le réglage du niveau d'enregistrement est correct.</li> <li>• Le disque n'est pas du type audio (L'indication "Use Audio CD" s'affiche).</li> <li>• Source d'entrée choisie incorrecte. L'indicateur de l'entrée clignote.</li> </ul>	37 - 36 38 37 47 37 39
L'enregistrement est déformé.	<ul style="list-style-type: none"> <li>• Vérifiez que le réglage du niveau d'enregistrement est correct.</li> </ul>	47
10 secondes de pause entre enregistrements.	<ul style="list-style-type: none"> <li>• Voir le réglage du niveau d'enregistrement synchronisé.</li> </ul>	42
"Disc Error" s'affiche.	<ul style="list-style-type: none"> <li>• Si apparaît ensuite à l'affichage, le disque ne peut plus recevoir d'enregistrement supplémentaire et être finalisé. Mais il peut quand même être joué sur ce graveur de CD ou un autre. "Disc Error"</li> </ul>	-
Un disque CD-R enregistré ne peut être joué sur un autre lecteur ou unité CD.	<ul style="list-style-type: none"> <li>• Finalisez le disque.</li> <li>• Est-ce que la lecture est possible sur un autre lecteur CD ? Si c'est le cas, nettoyez le capteur de lecture de lecteur sur lequel le disque ne peut être joué.</li> <li>• Les disques CD-R ne peuvent être joués sur certains lecteurs CD.</li> </ul>	37, 58 - -
La copie, l'enregistrement, la finalisation ainsi que l'édition de CD-R/RW n'est pas possible.	<ul style="list-style-type: none"> <li>• Le mode relais est-il réglé sur "RELAY" ou "MIX" ? Commuter au mode "SINGLE" ou "DUAL".</li> </ul>	55
Le mode menu ne peut être sélectionné. La finalisation est impossible.	<ul style="list-style-type: none"> <li>• Est-ce que les tiroirs de disque des sections CD ou CD-R sont ouverts ? Fermer les tiroirs des sections CD et CD-R.</li> <li>• Est-ce que les sections CD et CD-R sont en cours d'utilisation ? Régler ces sections en mode stop.</li> </ul>	58, 64 58, 64

## 20 CARACTERISTIQUES PRINCIPALES

■ <b>Audio:</b>	Unité CD:	Unité CD-R (pour édition numérique)
<b>Réponse en fréquence:</b>	2 Hz à 20 kHz:	2 Hz à 20 kHz
<b>Gamme dynamique:</b>	98 dB:	88 dB
<b>Rapport signal/bruit:</b>	105 dB:	100 dB
<b>Distorsion harmonique:</b>	0,003 % (1 kHz):	0,01 % (1 kHz)
<b>Pleurage et scintillement:</b>	En-dessous des limites mesurables ( $\pm$ 0,001 % W en crêtes)	
■ <b>Disques utilisables:</b>	CD de (12 cm/8 cm) Disques CD-R audio enregistrés pour usage privé (Unité CD-R) Disques CD-RW audio enregistrés pour usage privé (Unité CD-R)	
■ <b>Généralités:</b>		
<b>Alimentation:</b>	120 V, 60 Hz	
<b>Consommation:</b>	29 W	
<b>Dimensions hors-tout:</b>	434 (largeur) x 101 (hauteur) x 330 (profondeur) mm (y compris les pieds, boutons et connecteurs)	
<b>Masse:</b>	5,5 kg	
■ <b>Télécommande:</b>	RC-278	
<b>Système de télécommande:</b>	Impulsions infrarouges	
<b>Alimentation:</b>	3 V CC utilisant 2 piles R6P (AA)	

\* Par souci d'amélioration constante du produit, la conception et les caractéristiques peuvent être modifiées sans préavis.

**IMPORTANTE PARA LA SEGURIDAD**

**ADVERTENCIA:**  
**CON EL OBJETO DE EVITAR PELIGROS DE INCENDIO Y DESCARGAS ELÉCTRICAS NO EXPONGA ESTE APARATO A LA LLUVIA O LA HUMEDAD**

**PRECAUCIÓN:**

- Tenga cuidado al manipular el cable de alimentación**  
 No dañe ni deforme el cable de alimentación. Si resultara dañado o deformado podría causar descargas eléctricas o errores de funcionamiento al usarse. Cuando lo extraiga de la toma de red de una pared, procure coger por el enchufe y no tirar del cable.
- No abra la cubierta superior.**  
 Para evitar descargas eléctricas no abra la cubierta superior. Si se produjera algún problema, póngase en contacto con el DISTRIBUIDOR DENON.
- No coloque nada en el interior.**  
 No coloque objetos metálicos ni permita que se derramen líquidos en el interior del grabador de CD. Podría producirse una descarga eléctrica o una avería.

Rogamos que inscriba y guarde el nombre del modelo y el número de serie del equipo que se indica en la etiqueta de capacidades nominales.  
 Modelo Nº CDR-W1500 Nº de Serie \_\_\_\_\_

Enhorabuena por la adquisición de este Grabador de Discos Compactos DENON. Lea atentamente las instrucciones de manejo para familiarizarse con el grabador de CD y obtener así el máximo rendimiento del mismo.

Procure guardar este manual para futuras referencias, en caso de que surgiera cualquier pregunta o problema.

**Compruebe los siguientes artículos para asegurarse de que están incluidos en el embalaje junto con la unidad principal.**

- (1) Unidad principal .....1
- (2) Unidad de control remoto (RC-278) .....1
- (3) Pilas secas R6P(AA).....2
- (4) Cable de conexión .....2
- (5) Instrucciones de operación .....1
- (6) Relación de servicios técnicos .....1

**Índice**

<b>1</b>	FUNCIONES .....	67
<b>2</b>	PRECAUCIONES DURANTE EL USO .....	67
<b>3</b>	ACERCA DE LOS DISCOS CD-R/RW .....	67, 68
<b>4</b>	MANIPULACIÓN DE DISCOS Y PRECAUCIONES .....	68, 69
<b>5</b>	LIMITACIONES RELACIONADAS CON LOS ESTÁNDARES DE CD-R/RW.....	69
<b>6</b>	CONEXIONES .....	69
<b>7</b>	NOMBRES DE PIEZAS Y FUNCIONES .....	70, 71
<b>8</b>	UNIDAD DE MANDO A DISTANCIA .....	71, 72
<b>9</b>	MÉTODO DE CONFIGURACIÓN .....	72 ~ 75
<b>10</b>	PROCEDIMIENTO DE COPIA .....	75 ~ 77
<b>11</b>	GRABACIÓN DESDE DISPOSITIVOS EXTERNOS .....	77 ~ 81
<b>12</b>	REPRODUCCIÓN NORMAL .....	81
<b>13</b>	DIVERSAS FUNCIONES DE REPRODUCCIÓN .....	82 ~ 86
<b>14</b>	MODO DE repetición .....	86 ~ 89
<b>15</b>	FINALIZACIÓN DE DISCOS CD-R/RW .....	89
<b>16</b>	EDICIÓN .....	90 ~ 95
<b>17</b>	MODO DE MENÚ .....	95
<b>18</b>	MENSAJES.....	96
<b>19</b>	SOLUCIÓN DE PROBLEMAS .....	97
<b>20</b>	ESPECIFICACIONES PRINCIPALES .....	97

**NOTA**

Este grabador de CD utiliza un láser semiconductor. Para poder disfrutar de la música con un funcionamiento estable, se recomienda utilizar el aparato a una temperatura ambiente de 10 °C (50 °F) ~ 30 °C (86 °F).

**Sitio de instalación**

Para poder disponer de una ventilación suficiente, deje un espacio de al menos 10 cm. entre las partes frontal, posterior y laterales de la unidad y las paredes u otros objetos que puedan obstruir la ventilación.

**1 FUNCIONES**

**1. Diversas funciones de copia**

- Este aparato está equipado con una serie de cómodos modos de copia: "Doblaje de disco" para copiar discos enteros, "Realizar doblaje de CD" para copiar un disco entero y luego finalizarlo automáticamente, "Doblaje de 1 pista" para copiar pistas individuales, y "Doblaje de grabación por exploración" para seleccionar las pistas que se desean grabar mientras se exploran los CDs y se copian las pistas seleccionadas.
- Puede seleccionarse una de las dos velocidades de copia: velocidad normal y velocidad doble.

**2. Grabación desde dispositivos extremos**

- Este aparato está equipado con tres cómodas funciones de grabación sincronizadas: "Grabación sincronizada de disco" para grabar un álbum del lado fuente, "Realizar grabación de CD" para finalizar automáticamente la grabación sincronizada de un disco, y "Grabación sincronizada de pista" para grabar una pista por vez. También es posible realizar una grabación manual.

**3. Gran variedad de funciones de reproducción**

- Gracias a la combinación de las unidades de CD y CD-R, este equipo dispone de tres modos de reproducción diferentes: "Repetición de reproducción" para repetir la reproducción entre el disco de la unidad de CD y el disco de la unidad CD-R, "Mezcla de reproducción" para la reproducción aleatoria o programada del disco de la unidad de CD y del disco de la unidad de CD-R como si se tratara de un sólo disco, y "Reproducción dual" con la que se pueden manejar las unidades de CD y de CD-R de forma independiente.
- Este aparato está equipado con modos de reproducción programada, reproducción aleatoria, y todas las pistas, 1 pista y repetición de reproducción A-B

**4. Amplia variedad de conectores de entradas digitales**

- Además de los conectores de entrada analógica, esta unidad está equipada con dos conectores de entradas digitales. Se dispone de un terminal de entrada digital para utilizar con fuentes digitales tales como CD, MD y emisiones por satélite, y un terminal de entrada digital coaxial.

**5. Equipado con convertidor de frecuencia de muestreo**

- Este convertidor permite grabaciones directas de entradas digitales de DAT o emisiones por satélite (32kHz, 48 kHz) que tienen frecuencias de muestreo distintas de los 44,1 kHz utilizados en los CDs.

**6. Función de introducción y visualización de textos**

- El título del álbum y el título de la pista para pistas individuales pueden ser ingresado y visualizado para discos grabados CD-R/RW.

**7. Equipado con decodificador  HDCD® (High Definition Compatible Digital®) (Unidad de CD)**

Las marcas: , HDCD®, High Definition Compatible Digital® (Digital Compatible de Alta Resolución) y Pacific Microsonics™ son marcas registradas o marcas registradas por la compañía Pacific Microsonics, Inc. en los Estados Unidos de Norte América y/o en otros países.  
 Los sistemas HDCD son manufacturados bajo la autorización de Pacific Microsonics, Inc. Este producto está protegido bajo una o más de las siguientes patentes: en los Estados Unidos de Norte América: 5,479,168; 5,638,074; 5,640,161; 5,808,574; 5,838,274; 5,854,600; 5,872,531; 5,864,311. Y en Australia: 669114. Y otras patentes pendiente de registro.

**2 PRECAUCIONES DURANTE EL USO**

- Durante la selección de pistas, durante la búsqueda y cuando el grabador es sometido a fuertes impactos, la velocidad de giro cambia mucho, emitiendo un pequeño ruido. Esto no constituye ninguna avería por parte del grabador.
- Cuando se hace funcionar el grabador de CD durante la recepción de emisiones de FM o AM, puede producirse ruido en la recepción de FM o AM. En tales situaciones, apague la alimentación del grabador de CD.
- El CDR-W1500 tiene un amplio margen dinámico. Tenga cuidado al subir el volumen del amplificador cuando el volumen de la reproducción sea bajo. Si se sube el volumen demasiado, podrían dañarse los altavoces.
- La colocación del grabador o de sus cables de conexión cerca de un televisor u otro dispositivo de audio puede ocasionar zumbidos. Si ocurriera esto, sitúe el grabador en otro lugar o cambie de sitio los cables de conexión.
- Asegúrese de extraer el disco del grabador antes de moverlo. Si se deja el disco en el grabador mientras es movido, el disco podría resultar dañado.
- No coloque ningún objeto en la bandeja, en el sitio de carga del disco, ni abra ni cierre la bandeja con algo dentro. Los objetos extraños en la bandeja podrían dañar el mecanismo de reproducción.
- No traslade el grabador desde un sitio frío a otro caliente bruscamente. Si el grabador estuviera frío al llevarse a un ambiente cálido, podría formarse condensación, impidiendo un funcionamiento correcto del grabador. Si se formara condensación en el grabador al trasladarse a una habitación cálida, espere por lo menos 30 minutos antes de usarlo.

**Discos CD**

Esta unidad utiliza CDs (discos de audio digital óptico) que lleven la marca situada a la derecha. Observe que los CDs de forma especial, por ejemplo con forma de corazón o hexagonales no pueden ser reproducidos. No intente usar tales CDs puesto que podrían causar averías en la unidad.



**Discos CD de Texto**

Esta unidad puede mostrar información de texto en la pantalla cuando se reproducen discos CD de Texto que contengan información de texto en la categoría de Inglés.



Los discos CD de Texto incluyen la marca indicada a la derecha.

**NOTA:**

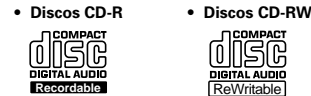
- Esta unidad puede mostrar visualizaciones de texto de los siguientes tipos de caracteres. Otros tipos de caracteres harán que se visualice " \_ " .
  - Alfabeto  
 ABCDEFGHIJKLMNOPQRSTUVWXYZ  
 abcdefghijklmnopqrstuvwxyz
  - Números  
 0123456789
  - Símbolos  
 ! " # \$ % & ' ( ) \* + , - / : ; < = >  
 ? @ [ \ ] ^ \_ ` { | } ~ SPACE

**3 ACERCA DE LOS DISCOS CD-R/RW**

**Discos que pueden utilizarse con esta unidad**

**Discos CD-R y discos CD-RW**

Asegúrese de utilizar discos que lleven una de las marcas siguientes, con esta unidad.



y una indicación como  
**"PARA EL CONSUMIDOR",**  
**"PARA USO DEL CONSUMIDOR"** o **"SÓLO PARA USO MUSICAL".**

\* La grabación no será posible en discos que no lleven las marcas antes mencionadas.

**Métodos de grabación de discos**

**Discos CD-R**

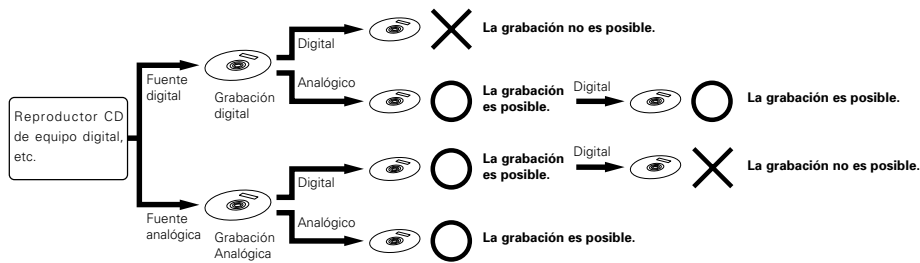
- Los discos CD-R incorporan una capa de pigmento para la grabación. Cuando se exponen al láser de grabación, se produce un cambio de forma en los límites de esta capa y de la capa de plástico que producen la grabación de la señal. La información grabada se mantiene hasta el final de la vida útil del disco.
- Después de la grabación, los discos finalizados pueden ser reproducidos en reproductores de CD normales.

**Discos CD-RW**

- Los discos CD-RW incorporan una capa de cambio de fase. El proceso de grabación produce un cambio de forma de esta capa de un estado de cristal (reflectante) a un estado amorfo (no de cristal).
- La información grabada puede borrarse en los discos CD-RW. El borrado puede tomar la forma de borrado de todas las pistas del disco o sólo las pistas especificadas empezando hacia atrás desde la última pista del disco.
- Los discos CD-RW finalizados pueden ser reproducidos en reproductores de CD diseñados para ser usados con discos CD-RW así como en grabadores de CD.

**Copias digitales**

Un disco CD-RW en el que se haya grabado mediante entrada digital no puede volver a grabarse de forma digital (v.gr. copiado) en otro disco CD-RW o MD, etc. Esta es una norma establecida por SCMS (Sistema de Gestión de Copia en Serie).



**Números de pista: Función de pista automática**

★ La grabación en el modo de grabación sincronizada (v.gr. grabación sincronizada de disco, grabación sincronizada de pista y grabación con finalización automática) produce la asignación automática de números de pista. La forma en que se asocian los números de pista será distinta para la grabación digital que para la grabación analógica según sean las condiciones.

**■ Grabación desde una entrada digital**

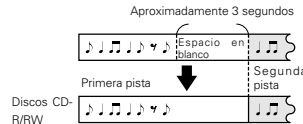
- Cuando se realiza la grabación digital de un CD, los números de pista son actualizados al detectarse el primer sonido después del cambio de pista.
- Cuando se realiza la grabación digital desde un MD, se asignará automáticamente un número de pista que es igual al número de pista original.
- Cuando se grabe desde un DAT, los números de pista serán asignados cuando se detecte el cambio de pista por medio de las identificaciones (ID) de comienzo.
- Cuando se grabe desde emisiones por satélite o de otros equipos digitales, la detección de un espacio en blanco de unos 3 segundos o más, igual que cuando se realiza una grabación analógica desde una entrada analógica, activará la función de pista automática y se producirá la asignación automática del número de pista.
  - El número de pista puede que no cambie correctamente cuando haya mucho ruido en el espacio en blanco que hay entre las pistas.
  - El número de pista podría cambiar cuando el nivel de la señal sea muy bajo dentro de la pista.

**■ Grabación desde una entrada analógica**

Los números de pista se asignarán automáticamente cuando se detecte un espacio en blanco de 3 segundos o más.

- Cuando la señal de entrada resulta afectada por ruidos o hay alguna interferencia, el número de pista puede que no cambie en la posición correcta.
- El número de pista podría cambiar cuando el nivel de la señal sea muy bajo dentro de la pista.

\* En la grabación manual es posible la activación/desactivación de la función de pista automática. (Véase "Ajuste de la marca de pistas automática" en la página 73).

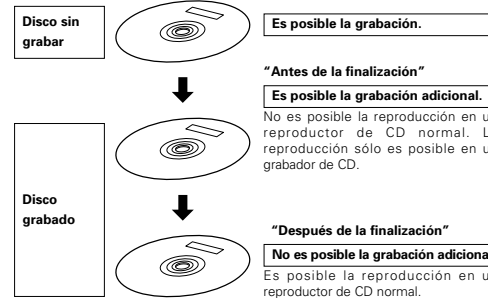


**NOTAS:**

- Cuando se grabe una fuente analógica que contenga una señal de bajo nivel en la pista, o una fuente digital que no sea CD/MD/DAT, desactive la función de pista automática y luego realice la grabación manual y asigne los números de pista manualmente.
- Cuando el nivel de grabación se ajusta muy bajo durante la grabación de una fuente analógica o una fuente digital que no sean CD/MD/DAT, los números de pista puede que no se asignen en la posición correcta. Debe ajustar un nivel de grabación adecuado.

**Procedimiento de finalización de discos CD-R**

Después de que concluya la grabación de un CD-R, es necesario el procedimiento de finalización para que pueda ser reproducido en un reproductor de CD normal.



**NOTAS:**

- Una vez que se haya realizado la finalización de un disco CD-R, ya no será posible grabaciones adicionales.
- La información que se ha grabado en un disco CD-R no puede ser borrada.

**Procedimiento de finalización de discos CD-RW**

Los discos CD-RW no pueden reproducirse en un reproductor de CD normal, incluso con el procedimiento de finalización. La reproducción sólo es posible en grabadores de CD o reproductores diseñados para su uso con discos CD-RW. Sólo pueden reproducirse en un reproductor diseñado para ser utilizado con discos CD-RW. Además, debe tener en cuenta que los discos CD-RW pueden ser borrados después de su finalización.

**4 MANIPULACIÓN DE DISCOS Y PRECAUCIONES**

**Manipulación de discos**

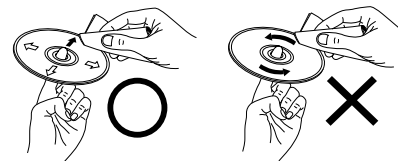
Evite tocar la superficie del disco al insertarlo o al extraerlo.

Tenga cuidado para no dejar huellas de dedos en la superficie de grabación de señales.



**Limpieza de discos**

- Cuando el disco tenga marcas de huellas de dedos o suciedad, límpielo antes de usarlo. La suciedad no afectará a la señal del disco, pero la calidad de sonido puede disminuir y puede haber saltos de sonido. Tenga en cuenta que cuando la superficie de un disco CDR/RW está sucia, puede que no se grabe correctamente.
- Para limpiar el disco utilice kits de limpieza de discos disponibles en el mercado o un paño limpio.



Limpie suavemente en la dirección que va del centro hacia afuera, al borde.

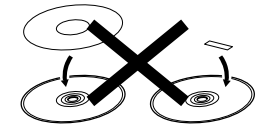
No limpie en forma circular.

**Precauciones con el almacenamiento**

- Asegúrese de expulsar el disco después de la reproducción.
- Guarde siempre el disco en su estuche para evitar el polvo, arañazos o deformaciones.
- No deje el disco en los siguientes sitios:
  1. Donde quede expuesto a la luz solar directa durante períodos de tiempo prolongados.
  2. Donde haya mucha humedad y polvo.
  3. Donde quede expuesto al calor, como el de un calefactor

**NOTAS:**

- No pegue ninguna etiqueta de disco disponible en comercios u otras en el disco. De lo contrario, podría resultar imposible grabar o reproducir el disco correctamente.



- No utilice aerosoles para discos o productos para evitar la electricidad estática. No utilice benceno, diluyente u otros productos químicos volátiles.



**Precauciones con la manipulación**

- Trate de evitar que se adhieran huellas de dedos, aceite o suciedad.
- Tenga cuidado de no producir arañazos en la superficie, especialmente al extraer o guardar el disco en su estuche.
- No doble el disco.
- No caliente el disco.
- No agrande el orificio central.
- No escriba en la superficie de etiqueta (v.gr. el lado impreso) con bolígrafos o lápices.
- Cuando se traslada súbitamente un disco desde un sitio frío como el exterior, a otro cálido pueden formarse gotas de agua en la superficie del disco. En casos como estos, no intente secar el disco con un secador de pelo.



**Precauciones en la carga de discos**

- Cargue sólo un disco. Si se cargan dos o más discos apilados pueden romperse y además pueden producirse arañazos en los discos.
- Los discos de 8 cm deben alinearse cuidadosamente con la zona de guía del disco hundida y cargarse sin usar adaptadores. Si no se carga correctamente, el disco puede caerse o quizás no pueda abrirse el soporte de discos.
- Tenga cuidado de no pillarse los dedos al cerrarse el soporte de discos.
- No coloque nada que no sea el disco en la bandeja de discos.
- No utilice discos agrietados, deformados o que hayan sido reparados con cinta adhesiva, etc.
- No utilice discos con adhesivo de celo o la etiqueta de un disco de alquiler despegados o con restos de adhesivo después de quitar la etiqueta. Si se utiliza un disco en estas condiciones, puede ocurrir que el disco no sea expulsado o que se rompa.

**5 LIMITACIONES RELACIONADAS CON LO ESTÁNDARES DE CD-R/RW**

★ Los estándares que tienen que ver con la reproducción de grabadores de CD se han establecido basándose en los estándares existentes para reproductores de CD, sin embargo, para la grabación, el método difiere del utilizado para las pletinas de cassettes y los grabadores MD, etc. A la vista de esto, asegúrese de que comprende bien las siguientes limitaciones relacionadas con los discos CD-R/RW y disfrute de este medio.

**Limitaciones de los discos CD-R/RW de audio**

- En esta unidad sólo pueden grabarse discos CD-R/RW de audio. Cuando se utilice un disco que no sea un disco CD-R/RW de audio, como los discos CD-R/RW para uso con ordenadores u otro tipo de disco, se visualizará el mensaje "Use Audio CD". (Véase "Discos que pueden utilizarse con esta unidad" en la página 67).
- Los discos CD-R sólo pueden grabarse una vez. La información grabada no puede borrarse.
- La información grabada de los discos CD-RW puede ser borrada. Cuando este disco haya sido finalizado, se abrirá realizado el borrado después de la operación de extracción de finalización. (Véase "Cancelación de finalización de discos CD-RW" en la página 90).
- Los errores de grabación cometidos con discos CD-R no pueden borrarse, por lo que se recomienda utilizar un disco CD-RW hasta familiarizarse con la operación de grabación.

**Limitaciones de grabación con esta unidad**

- El procedimiento de grabación es el mismo para los discos CD-R que para los discos CD-RW.
- Cuando se realice una grabación adicional en un disco previamente grabado, se detectará el final de la última pista y la grabación comenzará desde ese punto.
- El modo de grabación en espera no se puede ajustar para los discos CD-R/RW con un tiempo de grabación restante de 8 segundos o menos. En ese momento se visualizará el mensaje "Disc Full" (Disco lleno).
- En un disco CD-R/RW puede grabarse un máximo de 99 pistas. Cuando la grabación llegue a la pista 99, se visualizará el mensaje "Disc Full" (Disco lleno) y no será posible grabar más allá de esta pista.
- La grabación digital no es posible desde discos CD-R/RW que hayan sido grabados digitalmente, es posible la grabación normal desde un MD o DAT, etc. Cuando se intente grabar desde tales fuentes, se visualizará el mensaje "COPY Prohibit" (Protección contra copia). Para grabar desde estas fuentes digitales, realice la grabación desde la entrada analógica. (Véase "Copias digitales" en la página 68).
- Esta unidad no puede grabar CD-ROM y otras fuentes de señales que no sean de audio. Cuando se intente grabar desde estas fuentes, se visualizará el mensaje "COPY Prohibit" (No audio).
- Cuando se realice una grabación desde un disco que incluya datos que no sean señales de audio como un CD de gráficos o CD-TEXT, sólo se grabará la señal de audio, los demás datos no se grabarán.
- DVD (Dolby Digital, DTS, y demás señales de audio comprimidas) no puede grabarse.

**Compatibilidad con otros reproductores de CD y discos**

- El proceso de finalización de un disco CD-R que haya sido grabado con esta unidad permite la reproducción del disco en un reproductor de CD normal. (Véase "Finalización de discos CD-R/RW" en la página 89).
- El proceso de finalización de un disco CD-RW que haya sido grabado con esta unidad permite la reproducción del disco sólo en un reproductor de CD diseñado para su uso con discos CD-RW o en otro grabador de CD. (Véase "Procedimiento de finalización de discos CD-RW" en la página 68).

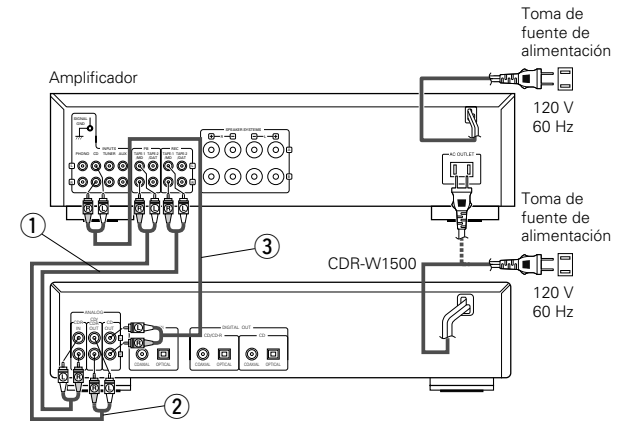
**NOTAS:**

- Para asegurar una grabación precisa, grabe a una temperatura ambiente de 30°C o inferior.
- No obstruya los orificios de ventilación de la parte superior.
- La grabación puede detenerse si la unidad es sometida a sacudidas o golpes durante la grabación. Si la grabación se detuviera puede que ya no sea posible usar el disco normalmente.

**6 CONEXIONES**

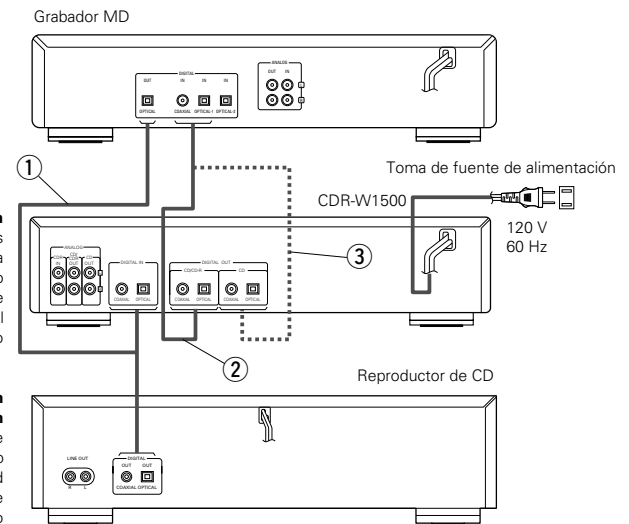
**(1) Conexiones del terminal de entrada/salida analógica**

- Utilice el cable de enchufe suministrado al realizar las conexiones con terminales de entrada/salida analógica.
  - ① **Entrada:** Conecte los terminales de entrada analógica (ANALOG IN) de esta unidad con los terminales de salida del amplificador (MD o TAPE).
  - ② **Salida:** Conecte los terminales de salida (ANALOG OUT) de esta unidad con los terminales de entrada del amplificador (MD o TAPE).
  - ③ **Salida sólo de CD:** Sólo se emite el sonido del lado de CD. Conecte a los terminales de entrada del amplificador (CD, etc.).
- ★ En el modo dual, sólo se emite el sonido del lado del CD-R por los terminales de salida CD/CD-R, por lo que es necesaria esta conexión.



**(2) Conexión de terminales de entrada/salida digital**

- Cuando realice conexiones a los terminales de entrada/salida digitales (OPTICAL), utilice cables de fibra óptica, los cuales están disponibles en el Mercado. Utilice el cable de enchufe de 75 Ω/ohmios contactos el cual está disponible en el mercado, al realizar las conexiones a los terminales de entrada/salida digital (COAXIAL).
- ① **Entrada:** **Conexiones con equipos de reproducción tales como reproductores de CD** Los terminales de entrada digital de esta unidad (tanto DIGITAL IN OPTICAL como DIGITAL IN COAXIAL) deben conectarse con los terminales de salida digital del reproductor de CD (OPTICAL o COAXIAL).
- ② **Salida:** **Conexiones con equipos que disponen de entrada digital, tales como un grabador de MD** Los terminales de salida digital (DIGITAL OUT OPTICAL o DIGITAL OUT COAXIAL) de esta unidad deben conectarse con los terminales de entrada del grabador de MD u otro equipo (OPTICAL o COAXIAL).
- ③ **Salida sólo de CD:** Sólo se emite el sonido del lado de CD. Conecte a los terminales de entrada digital de un grabador MD, etc.



**NOTAS:**

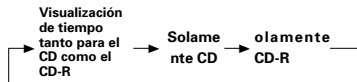
- No enchufe el conector de alimentación en la toma de red general hasta que haya realizado todas las conexiones.
- Conecte el conector del cable de enchufe rojo en el terminal R (derecho) y el blanco en el terminal L (izquierdo).
- No realice la conexión en el terminal PHONO del amplificador. De lo contrario se producirá una avería.
- Enchufe firmemente el conector de alimentación. Una conexión imperfecta generará ruidos.
- Si se unen en mazo los cables de alimentación con los de conexión se producirán ruidos o zumbidos.
- Cuando desconecte el enchufe de alimentación de la toma de red, espere unos 5 segundos antes de volver a insertarlo.

## 7 NOMBRES DE PIEZAS Y FUNCIONES

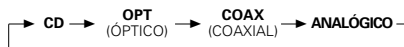
### Panel frontal

- 1 Botón de encendido**
  - Activa y desactiva (ON/OFF) la alimentación del grabador de CD.
- 2 Terminal de auriculares (PHONES)**
  - Conector para los auriculares.
- 3 Control del nivel de volumen de auriculares (PHONES LEVEL)**
  - Ajusta el volumen de los auriculares.
- 4 Sensor de mando a distancia (REMOTE SENSOR)**
  - Recibe las señales del mando a distancia.
- 5 Bandeja de discos (CD)**
  - CDs comprados en almacén y discos CD-R/RW finalizados pueden ser reproducidos.

- 6 Botón de selección de visualización (DISPLAY SELECT)**
  - La pantalla de visualización cambia cada vez que se pulsa el botón.

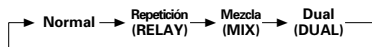


- 7 Botón de título/carácter (TITLE/CHARACTER)**
  - Cuando pulse el botón mientras el modo de visualización está ajustado a CD o CD-R, la información de texto es visualizada.
  - Cuando se introduzca texto, los caracteres cambiarán.
- 8 Botón de entrada (INPUT)**
  - Selecciona la fuente de entrada.
  - Cada vez que se pulse el botón, el cambio será de la manera siguiente:



\* No se permite el cambio durante la grabación.

- 9 Botones de funcionamiento de la unidad de CD**
  - ▶ : Utilice este botón para dar comienzo a la reproducción.
  - : Utilice este botón para detener la reproducción.
  - || : Utilice este botón para realizar la pausa de grabación.
  - ◀▶ : Utilice este botón para ir al comienzo de las pistas.
  - ▲ : Utilice este botón para abrir y cerrar el soporte de disco.
- TIEMPO** : Utilice este botón para cambiar entre el tiempo transcurrido, el tiempo restante de pista y el tiempo restante total.
- 10 Botón del modo de repetición (RELAY MODE)**
  - Cada vez que se pulse el botón el modo cambiará.



- 11 Botón de finalización (FINALIZE)**
  - Pulse este botón para realizar la finalización.
- 12 Botón de borrado (CLEAR)**
  - Utilice este botón para borrar las pistas programadas o los caracteres de texto introducidos.
  - Cuando se pulsa en el modo de menú, la unidad vuelve al modo anterior.

- 13 Botón de menús (MENÚ)**
  - Este botón se utiliza para la introducción de títulos de disco y de pista y para operaciones de edición tales como el borrado de discos CD-RW.
- 14 Dial jog múltiple (MULTI JOG)**
  - Control de nivel de grabación (Grabación).
  - Selecciona los ajustes (modo de menú).
- 15 Botón de grabación (● REC)**
  - Pulse este botón para grabar.
  - Cuando se pulse el botón de grabación (● REC) solo, se ajustará el modo de espera de grabación.
  - Pulse el botón de reproducción (▶ PLAY) en el modo de espera de grabación para comenzar la grabación.
  - Para detener la grabación o cancelar el modo de espera de grabación, pulse el botón de detención (■ STOP).

- 16 Bandeja de discos (CD-R)**

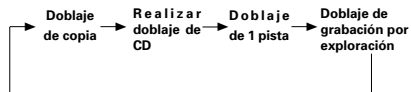
- 17 Botones de funcionamiento de la unidad de CD-R**
  - ▶ : Utilice este botón para iniciar la reproducción o la grabación.
  - : Utilice este botón para detener la reproducción o la grabación.
  - || : Utilice este botón para realizar la pausa de reproducción o de grabación.
  - ◀▶ : Utilice este botón para ir al comienzo de las pistas.
  - ▲ : Utilice este botón para abrir y cerrar el soporte de disco.

\* Si se hubiera realizado la operación de entrada de información pero no se finalizara, el soporte de discos no se podrá abrir hasta que se borre la información de texto. (Véase la página 72.)

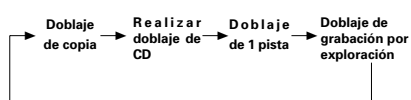
**TIEMPO** : Durante la reproducción, utilice este botón para cambiar entre el tiempo transcurrido, el tiempo restante de pista y el tiempo restante total. Durante la grabación, utilice este botón para cambiar entre el tiempo transcurrido por pista y el tiempo restante total.

- 18 Botón de modo de copia a velocidad normal. (DUBBING NORMAL)**

- El modo de doblaje de copia cambia cada vez que se pulsa el botón.



- 19 Botón de modo de copia a doble velocidad (DUBBING HIGH)**
  - El modo de doblaje a doble velocidad cambia cada vez que se pulsa este botón.



- 20 Pantalla**
  - Pantalla de información.

### Panel posterior

- 21 Terminales de salida analógica CD/CD-R (ANALOG OUT CD/CD-R)**
  - Conecta a la entrada de línea de un amplificador (izquierdo y derecho).
  - En el modo dual, sólo se emite el sonido del lado de CD-R.
- 22 Terminales de entrada analógica (ANALOG IN CD-R)**
  - Conecta a la salida de línea de un amplificador (izquierdo y derecho).
- 23 Terminal de salida digital CD/CD-R (DIGITAL OUT CD/CD-R COAXIAL)**
  - Conecta a la entrada digital coaxial de un, por ejemplo, amplificador o dispositivo de grabación.
  - En el modo dual, sólo se emiten los datos digitales del lado de CD-R.
- 24 Terminal de salida digital CD/CD-R (DIGITAL OUT CD/CD-R OPTICAL)**
  - Conecta a la entrada digital coaxial de, por ejemplo, un amplificador o dispositivo de grabación.
  - En el modo dual, sólo se emiten los datos digitales del lado de CD-R.
- 25 Terminal de entrada digital (DIGITAL IN COAXIAL)**
  - Conecta a la salida digital coaxial de fuentes digitales externas.
- 26 Terminal de entrada digital (DIGITAL IN OPTICAL)**
  - Conecta a la salida digital óptica de una fuente digital externa.
- 27 Terminales de salida analógica sólo para CD (ANALOG OUT CD)**
  - En todos los modos, sólo se emite el sonido del lado de CD.
- 28 Terminal de salida digital sólo para CD (DIGITAL OUT COAXIAL)**
  - En todos los modos, sólo se emiten los datos digitales del lado de CD.
- 29 Terminal de salida digital sólo para CD (DIGITAL OUT OPTICAL)**
  - En todos los modos, sólo se emiten los datos digitales del lado de CD.

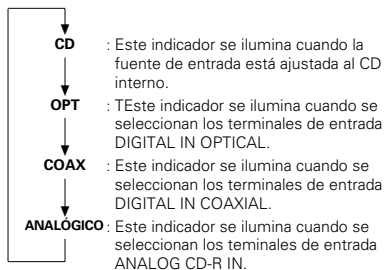
### Indicaciones de pantalla

- 1 Pantalla de modo (CD-R)**
  - CD:** CD (un CD pregrabado o un CD-R o CD-RW finalizado disco) está cargado.
  - CD-R:** Se ha cargado un disco CD-R sin finalizar.
  - CD-RW:** Se ha cargado un disco CD-RW sin finalizar.
  - :** Se ilumina durante la grabación.
  - ▶:** Se ilumina durante la reproducción/grabación.
  - ||:** Función de pausa activa.
  - PROG:** Se ilumina en el modo de programa.
  - 1 Tr, SYNC:** Grabación sincronizada activa.

- RAND:** Reproduce las pistas en orden aleatorio.
  - A.T.M.:** Indicador de marca de pistas automática.
  - D.in:** Este indicador se ilumina al seleccionar una de las entradas digitales (digital). Si este indicador parpadeara después de realizar la operación de grabación, compruebe las conexiones de los terminales de entrada digital.
  - FADE:** Este indicador parpadea durante la operación de grabación con fundido de entrada o de salida.
  - ▶:** Este indicador se ilumina cuando se visualiza el tiempo de la unidad de CD-R.
  - SKIP:** Este se ilumina cuando se ajusta una pista para que sea pasada por alto.
  - ON:** Este indicador se ilumina cuando se activa el modo de reproducción de salto.
- 2 Pantalla de modo (CD)**
    - CD:** Este indicador se ilumina al cargar un disco.
    - RAND:** Indicador de aleatorio
    - PROG:** Indicador de programa.
    - ||:** Indicador de pausa.
    - ▶:** Indicador de reproducción.
    - ▶:** Este indicador se ilumina cuando se visualiza el tiempo de la unidad de CD.
    - HDCD:** Este indicador se ilumina cuando se reproducen discos grabados en el formato HDCD.
  - 3 Pantallas de modo compartidas**
    - REPEAT, 1:** Se ilumina cuando se repite una pista/disco completo (o programa). \* Apagado cuando se visualiza el tiempo de las unidades CD y CD-R.
    - REPEAT A-B:** Este indicador se ilumina en el modo de repetición de reproducción A-B. \* Apagado cuando se visualiza el tiempo de las unidades CD y CD-R.
    - SINGLE, TOTAL:** Indicador de modo de tiempos. \* Apagado cuando se visualiza el tiempo de las unidades CD y CD-R.
    - DUBB:** Este indicador se ilumina en el modo de doblaje a velocidad normal.
    - DUBB HIGH:** Este indicador se ilumina en el modo de doblaje (copia) de doble velocidad.
    - MIX:** Este indicador se ilumina en el modo de mezcla (unidades CD y CD-R).
    - RELAY:** Este indicador se ilumina en el modo de repetición de reproducción entre las unidades CD y CD-R.
    - DUAL:** Este indicador se ilumina en el modo dual de unidad CD y CD-R.

**4 Visualización de fuente de entrada**

- Cada vez que se pulsa el botón de conmutación de entrada (INPUT) los indicadores se iluminan de la manera siguiente.



**5 Visualización de calendario de música**

- Pistas de un disco o de un programa.
- Pista en reproducción/grabación.
- \* Apagado cuando se visualiza el tiempo de las unidades CD y CD-R.

**6 Pantalla múltiple**

- Esta pantalla indica el número de pistas, el número de la pista, el tiempo de reproducción, el tiempo de grabación, información diversa sobre el funcionamiento, mensajes de texto, etc.
- Cuando se visualizan los tiempos tanto de CD como CD-R, se visualizará el tiempo de CD-R.

**7 Indicador de nivel**

- Barra de nivel de grabación, indica el nivel de la señal de audio.
- Cuando se ajusta la unidad CD-R al modo de grabación, se visualizará el nivel de entrada.

**8 Visualización de Nº de pista**

- Cuando hay información de texto, se visualizará el número de la pista.
- Cuando se visualizan los tiempos tanto de CD como CD-R, se visualizará el número de la pista del CD.

**9 Visualización de tiempos**

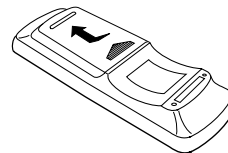
- Cuando haya información de texto, se visualizará el tiempo.
- Cuando se visualizan los tiempos tanto de CD como CD-R, se visualizarán los tiempos de CD.

**8 UNIDAD DE MANDO A DISTANCIA**

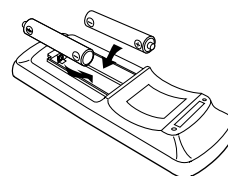
- La unidad de mando a distancia incluida (RC-278) puede utilizarse para manejar el CDR-W1500 a distancia.

**Inserción de las pilas**

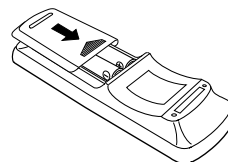
- 1 Extraiga la tapa posterior de la unidad de mando a distancia.



- 2 Inserte dos pilas R6P (AA) en el compartimiento de pilas en la dirección indicada por las marcas que hay dentro del compartimiento.



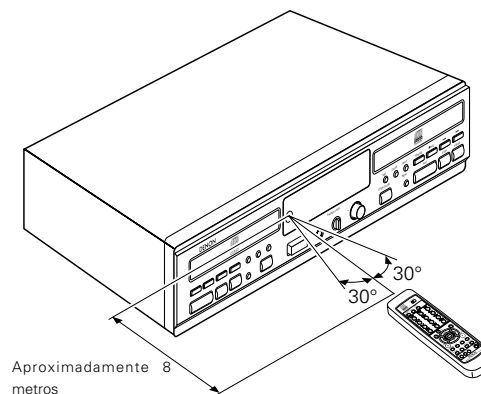
- 3 Vuelva a colocar la tapa posterior.



**Precaución con las pilas**

- En la unidad de mando a distancia debe utilizar pilas \*-R6P(AA).
- Las pilas deben cambiarse por otras nuevas aproximadamente una vez al año, aunque esto dependerá de la frecuencia con que se utiliza la unidad de mando a distancia.
- Aunque las pilas tengan menos de un año, cámbielas por otras nuevas si la unidad de mando a distancia ya no funciona a corta distancia de la unidad principal.
- La pila incluida es sólo para verificar el funcionamiento. Cámbiela por otra nueva lo antes posible.
- Cuando ponga pilas nuevas, espere unos dos minutos después de extraer las pilas agotadas antes de insertar las nuevas.
- Asegúrese de colocar las pilas en la dirección correcta "⊕" y "⊖", tal como lo indican las marcas del compartimiento de pilas de la unidad de mando a distancia.
- Cuando no vaya a utilizar la unidad de mando a distancia por prolongados períodos de tiempo, extraiga las pilas.
- Para evitar explosiones y fugas del líquido:
  - No utilice una pila nueva con otra usada.
  - No utilice dos tipos distintos de pilas.
  - No realice corto circuitos, no desmonte, caliente o eche las pilas al fuego.
- Si hubiera fugas del líquido de la pila, limpie todo el compartimiento de pilas y luego inserte pilas nuevas.

**Uso de la unidad de mando a distancia**



- Cuando utilice la unidad de mando a distancia diríjala a la unidad principal tal como se ilustra en el diagrama.
- La unidad de mando a distancia puede utilizarse desde una distancia directa de aproximadamente 8 metros de la unidad principal. Esta distancia puede acortarse, sin embargo, si hubiera algún obstáculo o cuando se utiliza desde un ángulo. (La unidad de mando a distancia funcionará en un ángulo horizontal de hasta unos 30°).

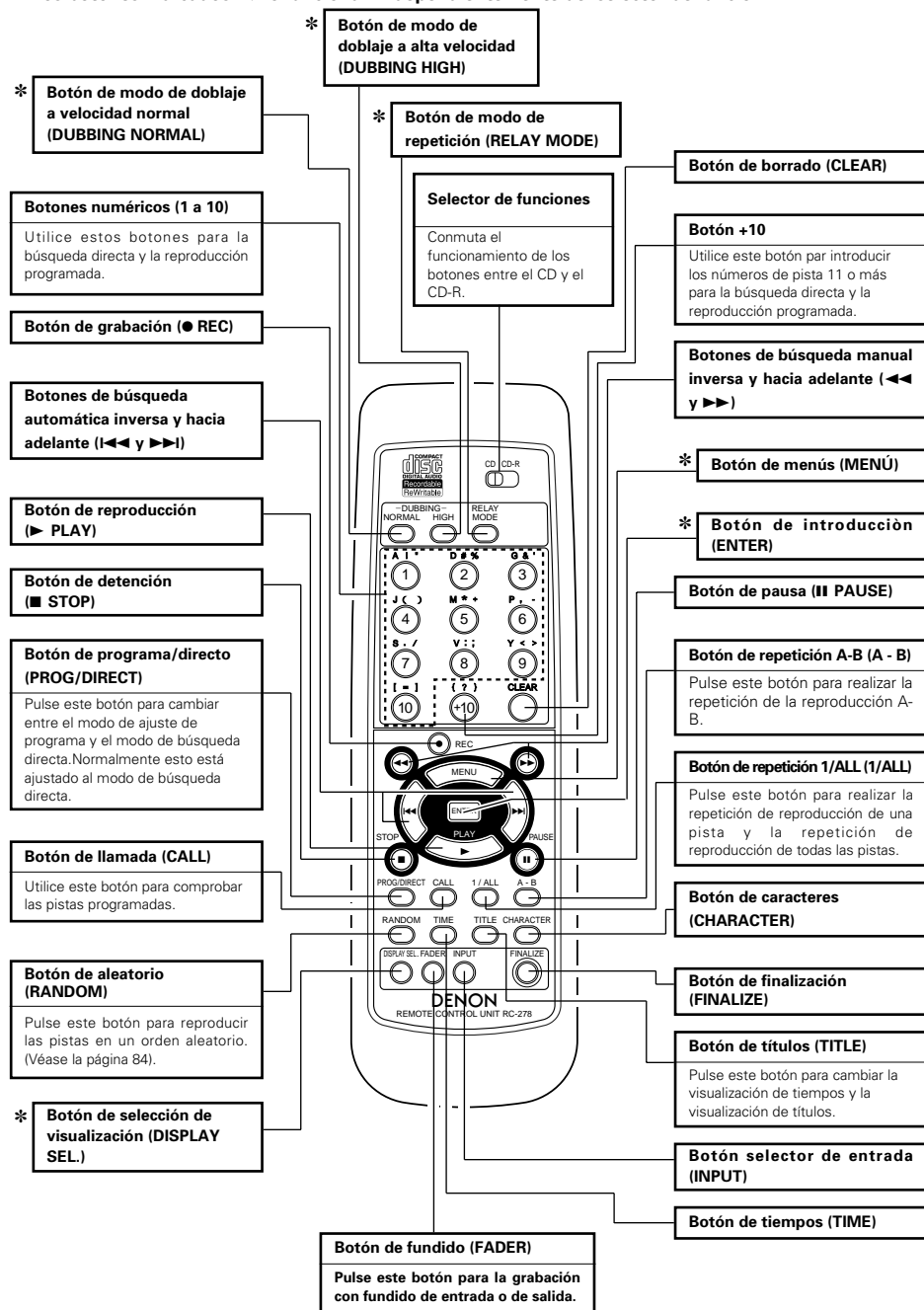
**NOTAS:**

- La unidad de mando a distancia puede que no funcione bien si el sensor de mando distancia está expuesto a la luz solar directa o a luz artificial fuerte, o si hubiera un obstáculo entre la unidad y el sensor de mando a distancia.
- No pulse los botones de la unidad principal y del mando a distancia al mismo tiempo. De lo contrario puede producirse una avería.

**Nombres y funciones de los botones de la unidad de mando a distancia**

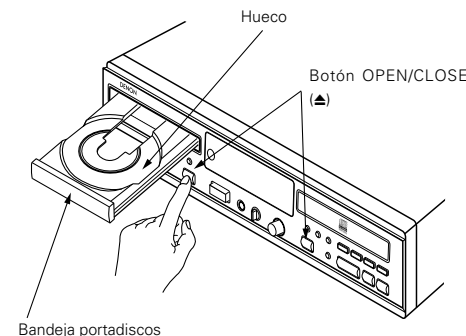
■ Los botones que no se explican en esta sección funcionan de la misma manera que los botones correspondientes de la unidad principal.

■ Los botones marcados “\*”o funcionan independientemente del selector de función.



■ **Inserción de discos**

- ① Pulse el botón OPEN/CLOSE (▲) para abrir la bandeja de discos.
- ① Inserte un disco en el hueco adecuado de la bandeja con el lado de etiqueta hacia arriba.
- ① Pulse el botón OPEN/CLOSE (▲) para cerrar la bandeja.
  - En la pantalla se iluminará “Close” seguido de “TOC Reading” y la pantalla mostrará el tipo de disco que se ha insertado.
  - Si inserta un disco CD-R en blanco o parcialmente grabado, o un CD-RW sin finalizar, el grabador de CD calibrará el disco para conseguir una grabación óptima. Durante este procedimiento, la pantalla primero mostrará “Now OPC” y a continuación el número de pistas de audio. La calibración puede tardar hasta 60 segundos. (CD-R/RW)
  - Si se realiza la finalización de un CD-R/RW, aparecerá “CD” en la pantalla.



**NOTAS:**

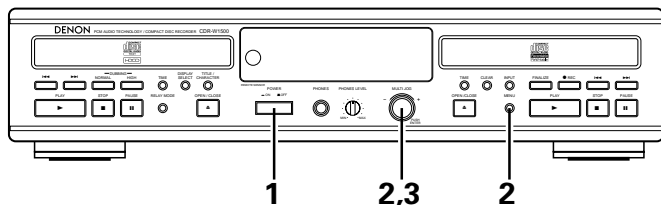
- Si se pillara un dedo en la bandeja de discos al cerrarla, pulse el botón OPEN/CLOSE (▲).
- Sólo se aceptarán discos CD de audio. Si se insertara un disco que no sea de audio, la pantalla indicará “Use Audio CD”.
- Para grabar es muy importante que el disco virgen esté totalmente libre de partículas de polvo o arañazos. Véase “Limpieza de discos” en la página 68.
- Cuando se introduzca información de texto y no sea finalizada, el soporte de discos no se abrirá hasta que se haya borrado la información de texto. En la pantalla se visualizará “Text Erase OK?” durante 2 segundos. Cuando se pulse el botón de introducción durante este intervalo, la información de texto se borrará y el soporte de discos ya podrá abrirse.

**9 MÉTODO DE CONFIGURACIÓN**

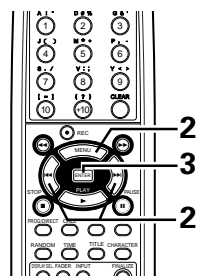
- ★ Los 9 ítems que figuran en la lista siguiente puede configurarse con el menú de configuración. Para los diversos ítems de ajuste se visualizarán los siguientes mensajes.
  - Cierre la bandeja portadiscos y ajuste el modo parada para la sección de CD y la sección de CD-R.
  - El contenido del menú de configuración es guardado, pero estos datos pueden perderse si se desconecta la unidad de la fuente de alimentación durante 2 o 3 días.
    - ① “Sync. Rec?”..... Modo de grabación sincronizada.
    - ② “Sync. Level?”..... Nivel de grabación sincronizada.
    - ③ “A.T. Mark?”..... Marca de pistas automática.
    - ④ “FadeIn Time?”..... Tiempo de grabación con fundido de entrada.
    - ⑤ “FadeOutTime?”..... Tiempo de grabación con fundido de salida.
    - ⑥ “Intro Time?”..... Tiempo de introducción de grabación por exploración.
    - ⑦ “Custom Index”..... Índice personalizado.
    - ⑧ “Skip Play?”..... Reproducción de salto.
    - ⑨ “Timer Play?”..... Reproducción por temporizador.

**(1) Método de configuración**

(Unidad principal)



(Unidad de mando a distancia)

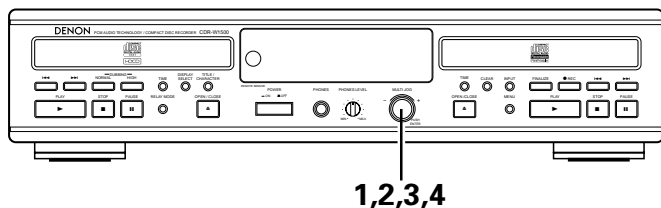


<b>1</b>	Active la alimentación.
<b>2</b>	Pulse el botón de menú y gire el dial jog de la unidad principal o utilice los botones de búsqueda automática de la unidad de mando a distancia para que se visualice "Setup Menu?".
<b>3</b>	Pulse el botón de introducción y acceda al modo de configuración.

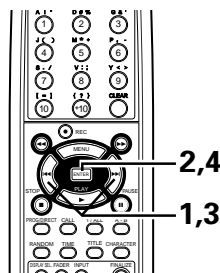
**(2) Ajuste del modo de grabación sincronizada**

★ Realice los ajustes del modo de grabación sincronizada. (Véase la página 80).

(Unidad principal)



(Unidad de mando a distancia)



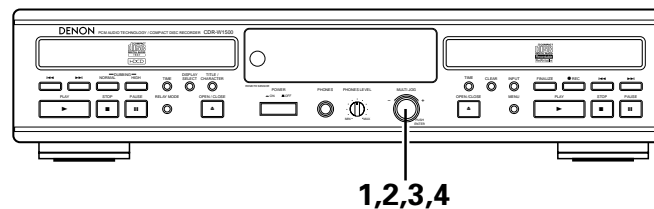
<b>1</b>	Ajuste la unidad al modo de configuración y luego gire el dial jog de la unidad principal o pulse el botón de búsqueda automática del mando a distancia para visualizar "Sync. Rec?".
<b>2</b>	Pulse el botón de introducción y ajuste el modo de selección de grabación sincronizada.
<b>3</b>	Gire el dial jog de la unidad principal o pulse el botón de búsqueda automática de la unidad de mando a distancia y luego seleccione el modo de grabación sincronizada. "Sync. Off?". "Disc Sync.?". "Make CD?". "iTr Sync.?".
<b>4</b>	Pulse el botón de introducción y ajuste el modo de grabación sincronizada. "Synchro Off". "Disc Synchro". "Make CD". "iTr Synchro".

**(3) Ajuste del nivel de grabación sincronizada**

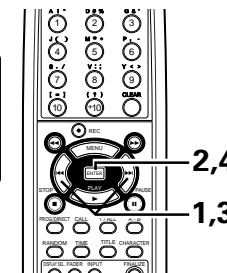
★ Este ajusta el nivel de comienzo de grabación sincronizada cuando se utiliza la grabación sincronizada. (Véase la página 80).

★ Cuando se utilice la grabación sincronizada, la grabación comenzará cuando el nivel de la señal de entrada sobrepase el valor ajustado. La grabación se detendrá cuando la señal continúe en un nivel que sea más bajo que el valor ajustado para 10 segundos o más.

(Unidad principal)



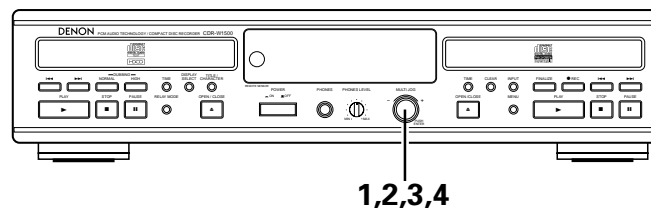
(Unidad de mando a distancia)



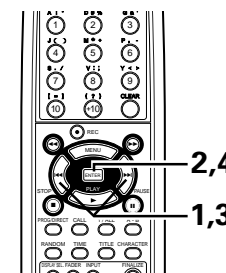
<b>1</b>	Ajuste la unidad al modo de configuración y luego gire el dial jog de la unidad principal o pulse el botón de búsqueda automática del mando a distancia para visualizar "Sync. Level?".
<b>2</b>	Pulse el botón de introducción y ajuste el modo de selección de grabación sincronizada.
<b>3</b>	Gire el dial jog de la unidad principal o pulse el botón de búsqueda automática de la unidad de mando a distancia y luego ajuste el nivel de grabación sincronizada. • El valor de configuración se visualizará en la zona de visualización múltiple. "Sync. --*dB" * El margen de ajuste va de -54 dB a -30 dB, variable en pasos de 6 dB.
<b>4</b>	Pulse el botón de introducción y ajuste el nivel de grabación sincronizada. • Se visualizará "Complete".

**(4) Ajuste de la marca de pistas automática (ATM)**

(Unidad principal)



(Unidad de mando a distancia)



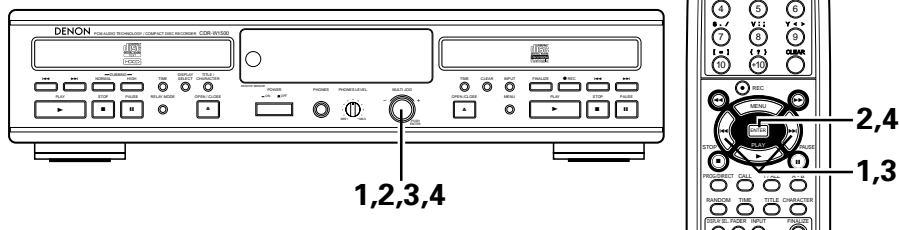
<b>1</b>	Ajuste la unidad al modo de configuración y luego gire el dial jog de la unidad principal o pulse el botón de búsqueda automática del mando a distancia para visualizar "A. T. Mark?".
<b>2</b>	Pulse el botón de introducción y luego ajuste el modo de selección de marca de pistas automática.
<b>3</b>	Gire el dial jog de la unidad principal o pulse el botón de búsqueda automática del mando a distancia para seleccionar marca de pistas automática o para desactivarlo. • El indicador de modo seleccionado indicará un parpadeo de "On/Off".
<b>4</b>	Pulse el botón de introducción para activar o desactivar la marca de pistas automática. • A continuación se visualizará "A. T. Mark On" o "A. T. Mark Off".

**(5) Ajuste de tiempo de fundido de entrada**

★ Para realizar la grabación con fundido de entrada, ajuste el tiempo de fundido de entrada.  
(Véase la página 81).

(Unidad principal)

(Unidad de mando a distancia)



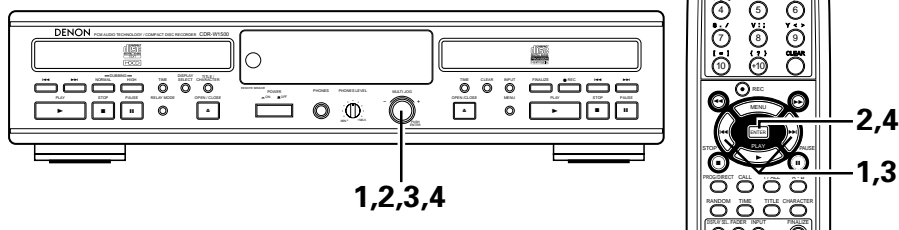
<b>1</b>	Ajuste la unidad al modo de configuración y luego gire el dial jog de la unidad principal o pulse el botón de búsqueda automática del mando a distancia para visualizar "FadeIn Time?".
<b>2</b>	Pulse el botón de introducción para ajustar el modo de ajuste de tiempo de fundido de entrada.
<b>3</b>	Gire el dial jog de la unidad principal o utilice los botones de búsqueda automática de la unidad de mando a distancia para ajustar el tiempo de fundido de entrada. <ul style="list-style-type: none"> <li>• El ajuste se visualizará en la sección de visualización múltiple. "FadeIn **sec"</li> <li>* El ajuste puede hacerse entre 1 y 15 segundos en pasos de 1 segundo.</li> </ul>
<b>4</b>	Pulse el botón de introducción para ajustar el tiempo de grabación con fundido de entrada. <ul style="list-style-type: none"> <li>• Se visualizará "Complete".</li> </ul>

**(6) Ajuste de tiempo de fundido de salida**

★ Para realizar la grabación con fundido de salida, ajuste el tiempo de fundido de salida.  
(Véase la página 81).

(Unidad principal)

(Unidad de mando a distancia)



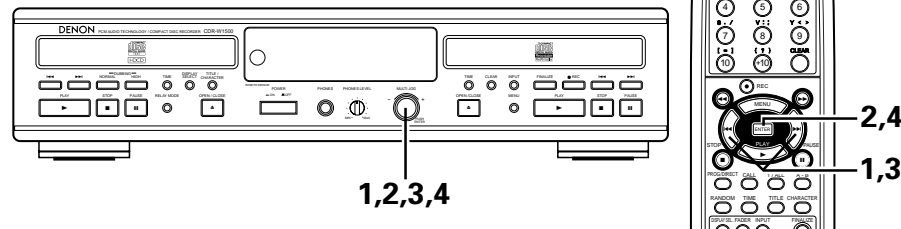
<b>1</b>	Ajuste la unidad al modo de configuración y luego gire el dial jog de la unidad principal o pulse el botón de búsqueda automática del mando a distancia para visualizar "FadeOutTime?".
<b>2</b>	Pulse el botón de introducción para ajustar el modo de ajuste de tiempo de fundido de salida.
<b>3</b>	Gire el dial jog de la unidad principal o utilice los botones de búsqueda automática de la unidad de mando a distancia para ajustar el tiempo de fundido de salida. <ul style="list-style-type: none"> <li>• El ajuste se visualizará en la sección de visualización múltiple. "FadeOut:**sec"</li> <li>* El ajuste puede hacerse entre 1 y 15 segundos en pasos de 1 segundo.</li> </ul>
<b>4</b>	Pulse el botón de introducción para ajustar el tiempo de grabación con fundido de salida. <ul style="list-style-type: none"> <li>• Se visualizará "Complete".</li> </ul>

**(7) Ajuste del tiempo de reproducción de introducción para la grabación con exploración**

★ Para realizar la grabación con exploración, ajuste el tiempo de reproducción de exploración de introducción.  
(Véase la página 77).

(Unidad principal)

(Unidad de mando a distancia)



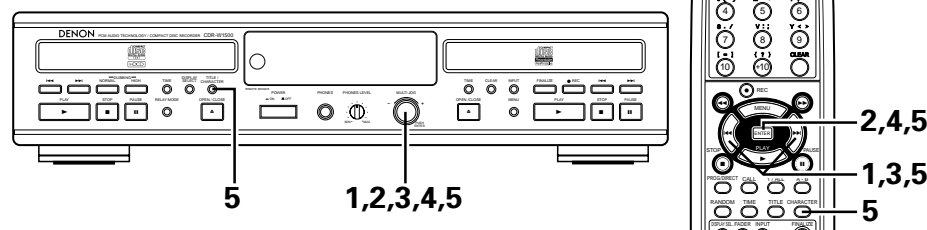
<b>1</b>	Ajuste la unidad al modo de configuración y luego gire el dial jog de la unidad principal o pulse el botón de búsqueda automática del mando a distancia para visualizar "Intro Time?".
<b>2</b>	Pulse el botón de introducción para ajustar el modo de ajuste de tiempo de reproducción de exploración de introducción.
<b>3</b>	Gire el dial jog de la unidad principal o utilice los botones de búsqueda automática de la unidad de mando a distancia para ajustar el tiempo de reproducción de exploración de introducción. <ul style="list-style-type: none"> <li>• El ajuste se visualizará en la sección de visualización múltiple. "ScanTime **s"</li> <li>* El ajuste puede hacerse entre 5 y 30 segundos en pasos de 5 segundos.</li> </ul>
<b>4</b>	Pulse el botón de introducción para ajustar el tiempo de reproducción de exploración de introducción. <ul style="list-style-type: none"> <li>• Se visualizará "Complete".</li> </ul>

**(8) Ajuste del Índice Personalizado**

★ Con los terminales de entrada puede asignarse un nombre deseado.  
★ Esto resulta útil para comprobar qué equipo está conectado a los terminales de entrada.

(Unidad principal)

(Unidad de mando a distancia)



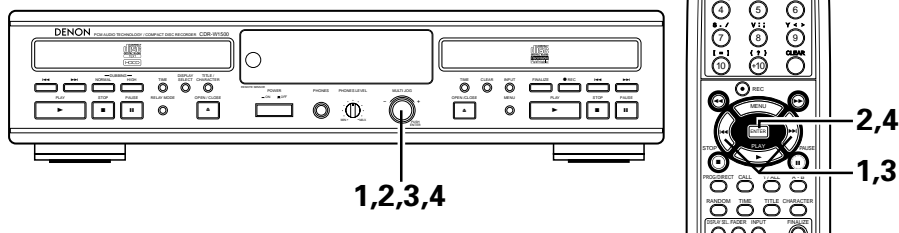
<b>1</b>	Ajuste la unidad al modo de configuración y luego gire el dial jog de la unidad principal o pulse el botón de búsqueda automática del mando a distancia para visualizar "Custom Index".
<b>2</b>	Pulse el botón de introducción y ajuste el modo de introducción de índice personalizado.
<b>3</b>	Gire el dial jog de la unidad principal o pulse el botón de búsqueda automática del mando a distancia para seleccionar los terminales a los que se asignará un nombre. <ul style="list-style-type: none"> <li>• A continuación parpadeará el indicador de los terminales seleccionados. "Opt/Coax/Ana"</li> </ul>
<b>4</b>	Pulse el botón de introducción y ajuste los terminales para los que se asignará un nombre. Esto ajustará el modo de introducción de nombre.
<b>5</b>	Seleccione el modo de introducción con el botón de caracteres y luego gire el dial jog de la unidad principal o el botón de búsqueda automática del mando a distancia para seleccionar los caracteres. Introduzca un carácter por vez con el botón de introducción. <ul style="list-style-type: none"> <li>• Vea "Ediciones de texto" en la Página 93 para detalles del método de entrada de carácter, luego lleve a cabo las operaciones 7 y 8.</li> </ul>

**(9) Ajuste del modo de reproducción de salto**

★ Este modo permite que la reproducción salte las pistas que no desee escuchar. (Véase "Registro de las pistas que no se desean escuchar" en la página 91 para información sobre el ajuste de tales pistas).

(Unidad principal)

(Unidad de mando a distancia)



<b>1</b>	Ajuste la unidad al modo de configuración y luego gire el dial jog de la unidad principal o pulse el botón de búsqueda automática del mando a distancia para visualizar "Skip Play?".
<b>2</b>	Pulse el botón de introducción y ajuste el modo de selección de reproducción de salto.
<b>3</b>	Gire el dial jog de la unidad principal o pulse el botón de búsqueda automática del mando a distancia para seleccionar la activación o desactivación de la reproducción de salto. <ul style="list-style-type: none"> <li>• A continuación parpadeará el indicador del modo seleccionado. "On/Off"</li> </ul>
<b>4</b>	Pulse el botón de introducción y ajuste la reproducción de salto a activado o desactivado. <ul style="list-style-type: none"> <li>• A continuación se visualizará "S.Play On" o "S.Play Off".</li> </ul>

**NOTAS:**

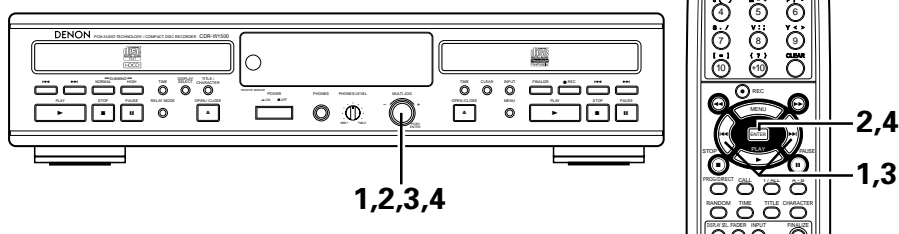
- La realización de la finalización del disco cuando se han registrado las pistas que no se desean escuchar, produce la activación automática del modo de reproducción de salto.
- La reproducción de salto no es posible en reproductores de CD que no dispongan de la función de reproducción de salto.
- La reproducción de programa y la reproducción aleatoria no son posibles cuando se han registrado pistas que no se desean escuchar.

**(10) Ajuste del modo de reproducción por temporizador**

★ Es posible la reproducción por temporizador. (Véase la página 86).

(Unidad principal)

(Unidad de mando a distancia)

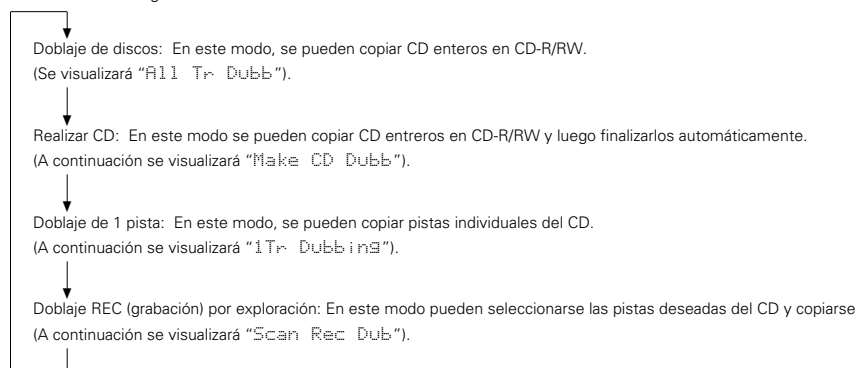


<b>1</b>	Ajuste la unidad al modo de configuración y luego gire el dial jog de la unidad principal o pulse el botón de búsqueda automática del mando a distancia para visualizar "Timer Play?".
<b>2</b>	Pulse el botón de introducción y ajuste el modo de selección de reproducción por temporizador.
<b>3</b>	Gire el dial jog de la unidad principal o pulse los botones de búsqueda automática del mando a distancia para activar o desactivar el modo de reproducción por temporizador. <ul style="list-style-type: none"> <li>• A continuación parpadeará el indicador del modo seleccionado. "On/Off"</li> </ul>
<b>4</b>	Pulse el botón de introducción para activar o desactivar el modo de reproducción por temporizador. <ul style="list-style-type: none"> <li>• A continuación se visualizará "TimerPlayOn" o "TimerPlayOff".</li> </ul>

**10 PROCEDIMIENTO DE COPIADO**

**Acerca del copiado**

- ★ La copia puede realizarse fácilmente desde la unidad de CD a la unidad de CD-R del equipo.
- ★ Se dispone de dos velocidades de copia (normal y alta) y cuatro modos de copia.
  - Cada vez que se pulsa el botón de copia a velocidad normal (NORMAL) o el botón de copia a velocidad alta (HIGH), el modo cambia de la manera siguiente.



- El nivel de grabación es automáticamente ajustado al valor por defecto (0,0 dB).
- Los modos de reproducción repetida y aleatoria se cancelan cuando se ajusta el modo copia.
- Durante la copia a velocidad normal se puede escuchar el sonido mientras se realiza la copia.
- Durante la copia a alta velocidad no se produce ningún sonido.
- Durante el copiado de alta velocidad no salen señales de las salidas digitales.
- Durante la copia, los botones que no sean los botones de detención de CD o CD-R, no funcionan.
- Cuando se copian CDs compatibles con CD TEXT, los nombres de los discos y las pistas son también copiados.
- ★ Al copiar, cambie el modo relé al modo normal o dual. El copiado no es posible en el modo relé o en el modo mix.
- ★ Para una óptima grabación, asegúrese de que no hay huellas digitales o polvo en la superficie de señal del lado de fuente del CD o del CD-R/RW.
- ★ La función de pistas automáticas está siempre activada en el modo de copiado. No es posible asignar números de pista manualmente.

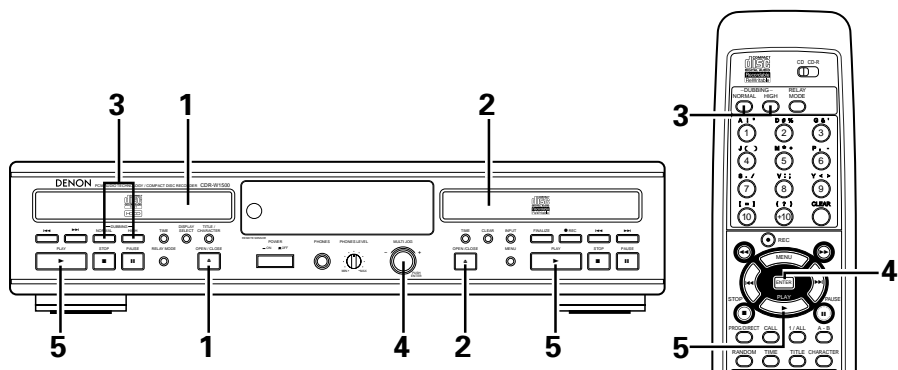
**NOTAS:**

- La copia normalmente se realiza con señales digitales, pero si la copia digital no es posible debido a limitaciones de SCMS, la copia se realiza con señales analógicas. Además, el copiado siempre se lleva a cabo a velocidad normal. (Ver página 68).
- La copia de señales analógicas siempre se realiza en el modo de velocidad normal.
- Si cuando se ajusta el modo de copia, el tiempo grabable del CD-R/RW es menor que el tiempo del CD fuente que se está intentando copiar, se visualizará "CD-R Short" y las dos unidades, CD y CD-R, se ajustarán al modo de detención. En este caso, compruebe el tiempo grabable del disco. (Sin embargo, cuando se graben 21 números de pista o más de una fuente CD que contenga por encima de 20 pistas, no se visualiza "CD-R Short" aún si el tiempo de fuente que quiere grabar es más largo que el tiempo grabable del CD-R/RW).
- Si el nombre del disco ha sido ya introducido en el disco sobre el cual usted está grabando, solo los nombres de las pistas son copiados.
- Para algunos CDs, el texto no se puede copiar debido a la protección de los derechos de copia. En este caso se visualiza "Text Protect".
- No desactive la alimentación o desconecte el cable de alimentación mientras "Now PMA Rec" se visualice después de que la grabación sea completada. Hacer esto puede volver el disco inutilizable.

**(1) Copia de discos enteros**

(Unidad principal)

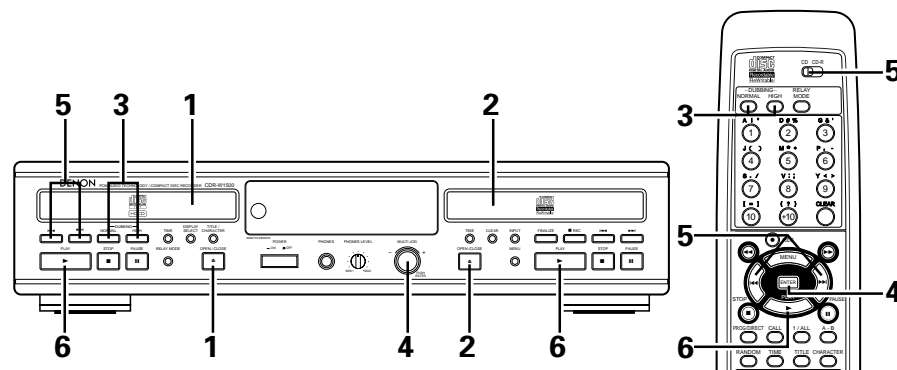
(Unidad de mando a distancia)



**(2) Copia de una pista por vez**

(Unidad principal)

(Unidad de mando a distancia)



<b>1</b>	Cargue el CD que desee copiar en la unidad de CD.
<b>2</b>	Cargue el CD-R/RW en el que desee grabar en la unidad de CD-R.
<b>3</b>	Pulse el botón de copia a velocidad normal o alta (NORMAL o HIGH) para visualizar "All Tr. Dubb" o "Make CD Dubb".
<b>4</b>	Pulse el botón de introducción para ajustar el modo de copia. <ul style="list-style-type: none"> <li>La unidad de CD se ajusta al modo de pausa y la unidad de CD-R al modo en espera de grabación.</li> </ul>
<b>5</b>	Pulse el botón de reproducción de la unidad CD o CD-R. <ul style="list-style-type: none"> <li>Comienza la copia.</li> <li>Si se ha seleccionado el modo "Make CD", la finalización comenzará automáticamente después de que termine la copia. (Véase la página 89). Una vez que ha terminado la finalización, se ajustará automáticamente el modo de detención.</li> <li>Para parar en medio de la copia, pulse el botón de detención de la unidad CD o CD-R.</li> <li>Si se ajustan los modos de programa para la unidad de CD de antemano, la copia se realizará en el modo correspondiente.</li> </ul>

<b>1</b>	Cargue el CD que desee copiar en la unidad de CD.
<b>2</b>	Cargue el CD-R/RW en el que desee grabar en la unidad de CD-R.
<b>3</b>	Pulse el botón de copia a velocidad normal o alta (NORMAL o HIGH) para visualizar "1Tr. Dubb in 9"
<b>4</b>	Pulse el botón de introducción para ajustar el modo de copia. <ul style="list-style-type: none"> <li>La unidad de CD se ajusta al modo de pausa y la unidad de CD-R al modo en espera de grabación.</li> </ul>
<b>5</b>	Utilice los botones de búsqueda automática de la unidad de CD para seleccionar la pista que desee grabar.
<b>6</b>	Pulse el botón de reproducción de la unidad CD o CD-R. <ul style="list-style-type: none"> <li>Comienza la copia.</li> <li>Cuando la copia ha terminado, la unidad CD-R se detiene.</li> <li>Para parar en medio de la copia, pulse el botón de detención de la unidad CD o CD-R.</li> </ul>

**NOTA:**

- Si desea introducir datos de texto, seleccione el modo "All Tr. Dubb". Con los discos CD-R, no se pueden introducir datos de texto después de que el disco haya sido finalizado.

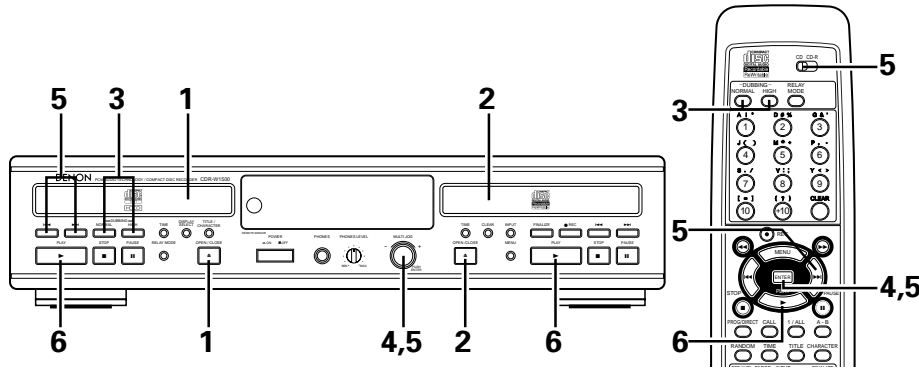


**(3) Selección de las pistas a copiar durante la exploración de CD y copia de las pistas seleccionadas.**

★ El tiempo de reproducción con exploración puede ajustarse en el menú de configuración (página 74).

(Unidad principal)

(Unidad de mando a distancia)



<b>1</b>	Cargue el CD que desee copiar en la unidad de CD.
<b>2</b>	Cargue el CD-R/RW en el que desee grabar en la unidad de CD-R.
<b>3</b>	Pulse el botón de copia a velocidad normal o alta (NORMAL o HIGH) para visualizar "Scan Rec Dub"
<b>4</b>	Pulse el botón de introducción para ajustar el modo de copia. • La reproducción de exploración Intro comienza en la unidad de CD.
<b>5</b>	Ajuste las pistas que desee grabar. • Para las pistas que desee grabar, pulse el botón de introducción. • Para las pistas que no desee grabar, pulse el botón de búsqueda automática hacia adelante. * Una vez que las pistas hayan sido exploradas, la unidad de CD se ajustará al modo de pausa y se visualizará el mensaje "Choice OK?". • Compruebe los ajustes en el calendario de música y si fueran correctos (OK), pulse el botón de introducción. • Si se equivocara con los ajustes, pulse el botón de detención y repita los pasos 1 a 5.
<b>6</b>	Pulse el botón de reproducción de la unidad CD o CD-R. • Comienza la copia. • Cuando la copia ha terminado, la unidad CD-R se detiene. • Para parar en medio de la copia, pulse el botón de detención de la unidad CD o CD-R.

**NOTA:**

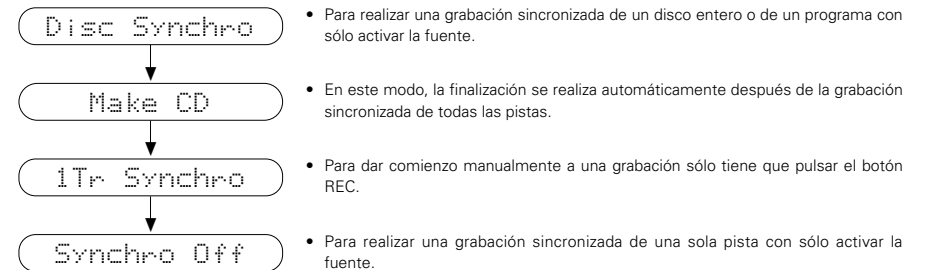
- Se pueden ajustar para ser grabadas un máximo de 30 pistas. La reproducción de exploración Intro se lleva a cabo aún después de que 30 pistas han sido ajustadas, pero no se podrán ajustar más pistas.

**11 GRABACIÓN DESDE DISPOSITIVOS EXTERNOS**

- Cuando grabe en un disco ya grabado, la grabación comenzará automáticamente al final de la sección grabada por última vez. Al hacerlo, preste atención al tiempo restante.
- Para borrar todo el contenido del disco y grabar desde el principio, primero deberá borrar todo el disco. "(2) Borrado de todas las pistas" página 90.
- Para asegurar una grabación precisa, grabe a una temperatura ambiente de 30°C o inferior.
- La grabación puede detenerse si la unidad es sometida a sacudidas o golpes durante la grabación. Si la grabación se detuviera puede que ya no sea posible usar el disco normalmente. ("Disc Error")
- Cuando grabe cambie al modo normal o dual. La operación no es posible en el modo relé o mix.

**Modos de grabación**

- ★ El grabador dispone de varios modos de grabación.
- ★ El ajuste es posible siguiendo el método de "Método de configuración", de la página 73.



**NOTAS:**

- La grabación analógica no es posible en el modo de Realizar CD.
- Utilice el modo de copia para grabar CDs HD. Tales discos puede que no sean grabados adecuadamente cuando se realizan grabaciones desde el exterior.
- No desactive la alimentación o desconecte el cable de alimentación mientras "Now PMR Rec" se visualice después de que la grabación sea completada. Hacer esto puede volver el disco inutilizable.

**Algunas observaciones sobre la grabación:**

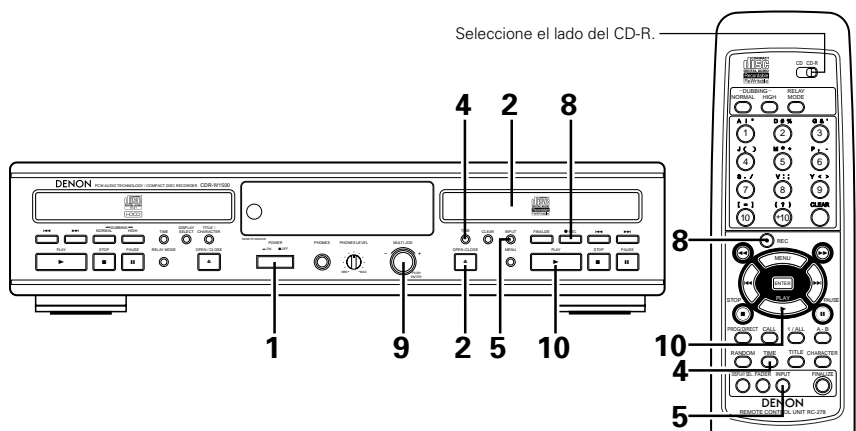
- Cuando pista automática está activada (ON) (ajuste de fábrica), los números de pista se incrementarán automáticamente durante la grabación.
- Mediante la programación de la fuente primero, puede grabarse una compilación.

**1. Grabación manual**

**(1) Comenzar grabación analógica**

(Unidad principal)

(Unidad de mando a distancia)



<b>1</b>	Encienda la alimentación.
<b>2</b>	Cargue el disco CD-R/RW que vaya a grabar.
<b>3</b>	Realice la operación de "Método de Configuración (2) Ajustes del Modo de Grabación Sincronizada" en la Página 73 y seleccione el modo de Sincronizado desactivado.
<b>4</b>	Cuando utilice un disco ya grabado, pulse el botón TIME para comprobar el tiempo que queda de grabación. • Cada vez que pulse el botón TIME, la visualización de tiempos cambiará entre el tiempo grabado total y el tiempo grabable.
<b>5</b>	Pulse el botón de activación de entrada (INPUT) y seleccione la fuente analógica. • A continuación se iluminará la visualización "ANALOG".
<b>6</b>	Realice la operación de "Método de configuración", página 73, y active/desactive la función ATM. • Función ATM activada A continuación se iluminará la visualización "ATM". Cuando se detecte una sección en blanco (de unos 3 segundos o más) de la señal de entrada, se asignará y grabará automáticamente el número de pista. • Función ATM desactivada Esto se graba con pista siguiente.
<b>7</b>	Dé comienzo a la reproducción de la selección que desee grabar en el reproductor de CD, pletina de cassettes, etc.
<b>8</b>	Pulse el botón de grabación (● REC). • Se activará el modo de espera de grabación.
<b>9</b>	Ajuste el nivel de grabación con el dial jog y luego pulse el botón de introducción. • Ajuste el control de nivel de entrada (INPUT LEVEL) de forma que el indicador "OVER" no se encienda ni siquiera al volumen máximo. Después de la modificación, ajuste la fuente que va a ser grabada al modo de espera. * El nivel de grabación puede ajustarse por adelantado mediante el modo de menú. • El nivel de grabación ajustado se almacenará en memoria, pero los datos pueden perderse si la unidad no se conecta a la fuente de alimentación en 2 o 3 días.
<b>10</b>	Pulse el botón de reproducción (▶ PLAY). • La grabación dará comienzo.
<b>11</b>	Dé comienzo a la reproducción de la selección que desee grabar en el reproductor de CD, pletina de cassettes, etc.

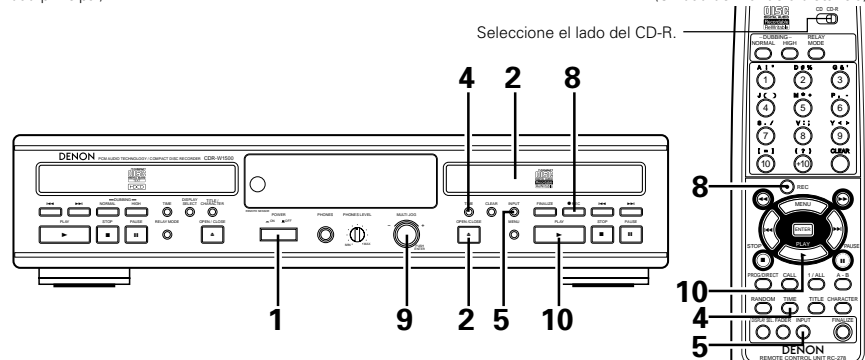
**(2) Comenzar grabación digital**

• Este equipo incluye un convertidor de frecuencia de muestreo.

Cuando grabe DATs o emisiones por satélite (32 kHz o 48 kHz) cuya frecuencia de muestreo de señal de entrada digital sea diferente a la del CD (44,1 kHz), la frecuencia de muestreo será convertida automáticamente a 44,1 kHz.

(Unidad principal)

(Unidad de mando a distancia)



<b>1</b>	Encienda la alimentación.
<b>2</b>	Cargue el disco CD-R/RW que vaya a grabar.
<b>3</b>	Realice la operación de "Método de Configuración (2) Ajustes del Modo de Grabación Sincronizada" en la Página 73 y seleccione el modo de Sincronizado desactivado.
<b>4</b>	Cuando utilice un disco ya grabado, pulse el botón TIME para comprobar el tiempo que queda de grabación. • Cada vez que pulse el botón TIME, la visualización de tiempos cambiará entre el tiempo grabado total y el tiempo grabable.
<b>5</b>	Pulse el botón de activación de entrada (INPUT) y seleccione la fuente digital (óptica o coaxial). • A continuación se iluminará la fuente de entrada seleccionada ("CD", "OPT" o "COAX").
<b>6</b>	Realice la operación de "Método de configuración", página 73, y active/desactive la función ATM. • Función ATM activada A continuación se iluminará la visualización "ATM". Cuando se detecte una sección en blanco (de unos 3 segundos o más) de la señal de entrada, se asignará y grabará automáticamente el número de pista. • Función ATM desactivada Esto se graba con pista siguiente.
<b>7</b>	Dé comienzo a la reproducción de la selección que desee grabar en el reproductor de CD, pletina de MD, etc.
<b>8</b>	Pulse el botón de grabación (● REC). • Si parpadeara el indicador "D. in", compruebe las conexiones de los terminales de entrada digital.
<b>9</b>	Ajuste el nivel de grabación con el dial jog y luego pulse el botón de introducción. • Ajuste el control de nivel de entrada (INPUT LEVEL) de forma que el indicador "OVER" no se encienda ni siquiera al volumen máximo. Después de la modificación, ajuste la fuente que va a ser grabada al modo de espera. * El nivel de grabación puede ajustarse por adelantado mediante el modo de menú. • El nivel de grabación ajustado se almacenará en memoria, pero los datos pueden perderse si la unidad no se conecta a la fuente de alimentación en 2 o 3 días.
<b>10</b>	Pulse el botón de reproducción (▶ PLAY). • La grabación dará comienzo.
<b>11</b>	Reproduzca la selección que vaya a grabar en el reproductor de CD, etc.

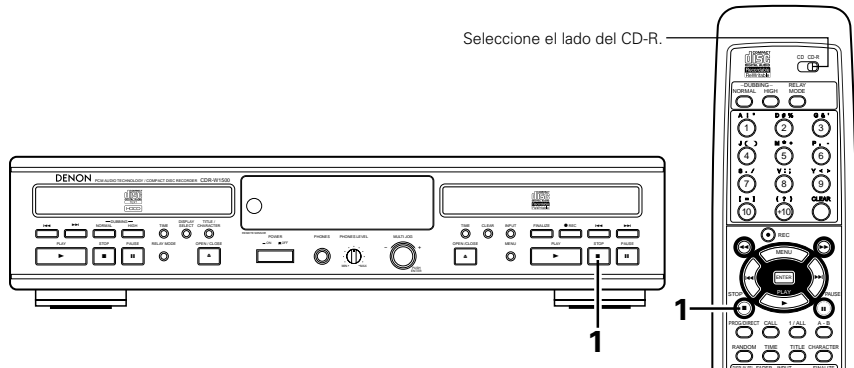
**NOTAS:**

- "CD" puede seleccionarse pulsando el botón selector de entrada, pero la grabación manual desde la unidad de CD del equipo, sólo es posible en el modo dual. (Remítase al "Modo Dual" en la página 88, 89).
- Cuando no desee cambiar el nivel de grabación digital, ajuste el dial jog de forma tal que se visualice "Level 0dB". La grabación se realizará sin cambiar el nivel de la señal de entrada.
- El nivel de grabación puede cambiarse en un margen de  $-\infty$  a +12 dB para la grabación de entrada analógica y de  $-\infty$  a 0 dB para la grabación de entrada digital. Observe que los valores de ajustes visualizados pueden incluir un grado de error en términos de proceso de cálculo.
- Cuando el nivel de grabación es de  $-\infty$ , se visualizará "Level ---- -dB" y no se emitirá el audio.

**(3) Detención de la grabación**

(Unidad principal)

(Unidad de mando a distancia)



- 1** Durante la grabación pulse el botón de detención (■ STOP).
- El modo de detención se ajustará automáticamente una vez que se llegue al final del tiempo grabable.

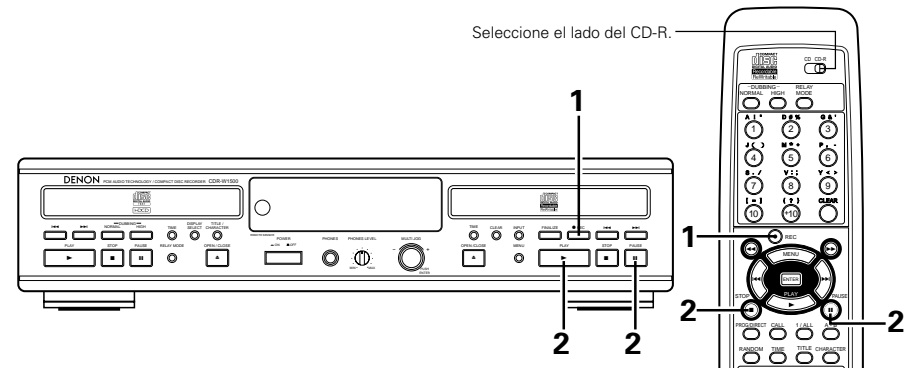
**NOTAS:**

- Cuando realice grabaciones digitales de CD o MD, los números de pista se grabarán automáticamente. (Véase la página 68).
- Cuando grabe fuentes digitales que no sean CD o MD, los números de pista se añadirán automáticamente al detectarse secciones en blanco. (Véase la página 68).
- Durante la grabación digital desde CD o MD, el número de pista puede que no cambie si se ha programado la misma pista dos veces seguidas o si se ha ajustado el modo de repetición de pista individual.
- No es posible realizar grabaciones digitales de discos que ya hayan sido grabados digitalmente. El CDR-W1500 incluye un sistema de gestión de copia serie. Este sistema limita la reproducción de señales digitales de dispositivos de audio digital a "una generación". Utilice la grabación analógica para grabar discos originalmente grabados de manera digital.
- El CDR-W1500 ha sido diseñado para un uso doméstico, de forma privada, y puede que no funcione correctamente si se utiliza (para grabar, etc.) junto con equipos profesionales u otros dispositivos no diseñados para un uso doméstico.
- Para expulsar el disco si se visualiza el mensaje "Copy Prohibit" o "Dig. Unlock" durante la grabación digital y se ha ajustado el modo de pausa de grabación, primero deberá pulsar el botón de detención (■ STOP) y luego pulsar el botón de apertura/cierre (▲ OPEN/CLOSE) para expulsar el disco.

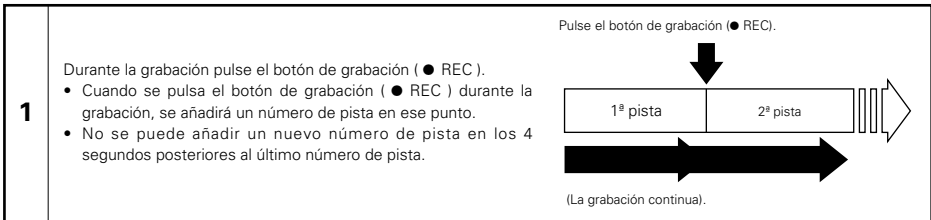
**(4) Adición de números de pista durante la grabación**

(Unidad principal)

(Unidad de mando a distancia)

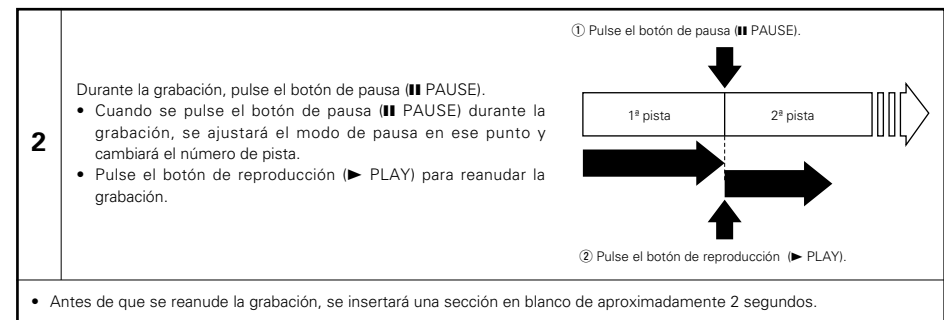


- Durante la grabación, pueden añadirse números de pista independientemente del modo de grabación.



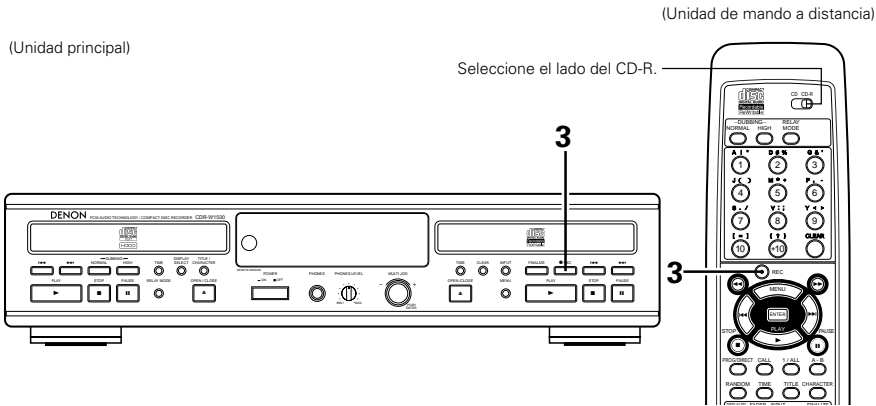
**(5) Detención temporal de la grabación**

- La grabación puede detenerse temporalmente y luego reanudarse desde el mismo punto.



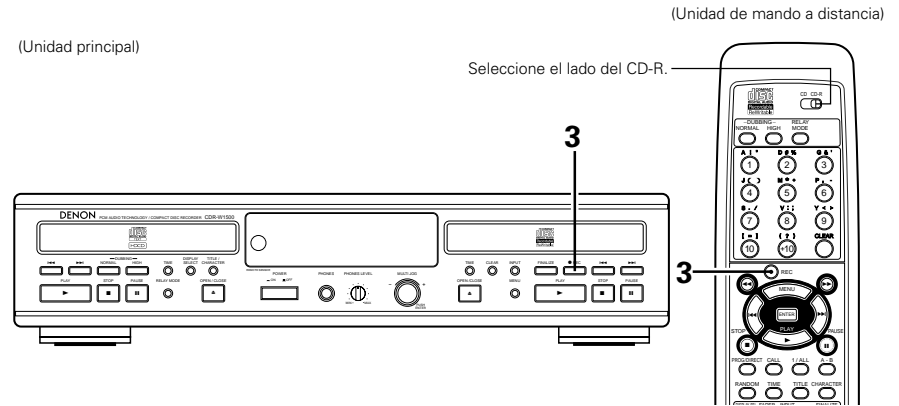
**2. Grabación sincronizada del disco (DISC SYNCHRO)**

- ★ Este modo se utiliza para grabar todas las pistas del CD o MD del lado de reproducción.
- ★ Consulte también "Método de configuración (3) Ajuste del nivel de grabación sincronizada", en la página 73.



**3. Grabación sincronizada de pistas individuales (1Tr SYNCHRO)**

- ★ Este modo se utiliza para grabar una sola pista.
- ★ Consulte también "Método de configuración (3) Ajuste del nivel de grabación sincronizada", en la página 73.



<b>1</b>	Siga la operación de "Grabación Manual", de la página 78, realice los ajustes de los terminales de entrada y del nivel de grabación y ajuste el modo de detención.
<b>2</b>	Siga el procedimiento de "Método de configuración (2) Ajustes del modo de grabación sincronizada" (página 73) y seleccione el modo de sincronización de disco o el modo de realizar CD. • A continuación se iluminará el indicador "SYNC".
<b>3</b>	Pulse el botón de grabación. • A continuación se ajustará el modo de pausa y se visualizará "Disc Synchro" o "Make CD".
<b>4</b>	Utilice un reproductor de CD, pletina de cassettes u otra fuente para reproducir las pistas que desee grabar. • La grabación comenzará automáticamente. • En el modo de realizar CD, la finalización se realiza automáticamente después de que se detenga la grabación. * Consulte también "Método de configuración (3) Ajuste del nivel de grabación sincronizada", en la página 73.
<ul style="list-style-type: none"> <li>• Para detener la grabación sincronizada, pulse el botón de detención.</li> </ul>	

<b>1</b>	Siga la operación de "Grabación Manual", de la página 78, ajuste los terminales de entrada y del nivel de grabación y ajuste el modo de detención.
<b>2</b>	Siga el procedimiento de "Método de configuración (2) Ajustes del modo de grabación sincronizada" (página 73) y seleccione el modo de sincronización de pista. • A continuación se iluminará el indicador "1Tr SYNCHRO".
<b>3</b>	Pulse el botón de grabación. • Esto ajustará el modo de pausa de grabación y se visualizará "1Tr Synchro".
<b>4</b>	Utilice un reproductor de CD, pletina de cassettes u otra fuente para reproducir las pistas que desee grabar. • La grabación comenzará automáticamente. * Consulte también "Método de configuración (3) Ajuste del nivel de grabación sincronizada", en la página 73.
<ul style="list-style-type: none"> <li>• Para detener la grabación sincronizada, pulse el botón de detención.</li> <li>• Si hay una sección sin ruido de 3 segundos o más, la grabación se detiene cuando la siguiente pista comienza.</li> <li>• La grabación se detiene si hay una sección sin ruido de 10 segundos o más.</li> </ul>	

**NOTA:**

- Si desea introducir datos de texto, seleccione el "Disc Synchro". Con los discos CD-R, no se pueden introducir datos de texto después de que el disco haya sido finalizado.

**4. Grabación con fundido de entrada y de salida**

★ Es posible grabar con un aumento gradual del volumen (fundido de entrada) o disminución del mismo (fundido de salida).

**(1) Grabación con fundido de entrada**

\* Consulte también "Método de configuración (5) Ajustes de tiempo de fundido de entrada" (página 74).

<b>1</b>	Realice el procedimiento en " Grabación manual" pasos 1 al 8, en la página 78.
<b>2</b>	Dé comienzo a la reproducción de la selección que desee grabar en el reproductor de CD, pletina de cassettes, etc.
<b>3</b>	<p>Pulse el botón FADER de la unidad de mando a distancia.</p> <ul style="list-style-type: none"> <li>• A continuación se visualizará "F a d e I n" y parpadeará "FADE" durante la operación de fundido de entrada.</li> <li>• El sonido grabado aumentará gradualmente desde el nivel de grabación de -∞ al nivel de grabación ajustado en el tiempo de ajuste.</li> </ul>

**(2) Grabación con fundido de salida**

\* Consulte también "Método de configuración (6) Ajustes de tiempo de fundido de salida" (página 74).

<b>1</b>	<p>Durante la grabación, pulse el botón FADER de la unidad de mando a distancia.</p> <ul style="list-style-type: none"> <li>• A continuación se visualizará "F a d e O u t" y parpadeará "FADE" durante la operación de fundido de salida.</li> <li>• El nivel del sonido grabado disminuirá gradualmente desde el nivel de grabación ajustado a un nivel de grabación de -∞ en el tiempo ajustado.</li> </ul>
----------	--

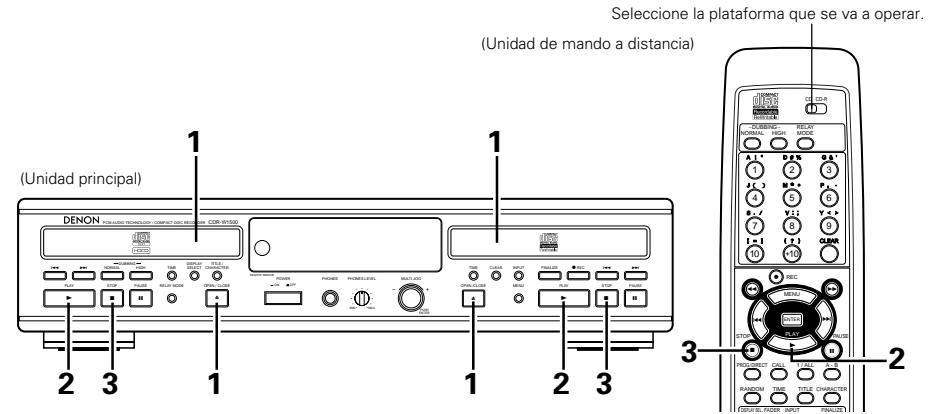
**NOTA:**

- La función de grabación de fader in/out (aparición/desvanecimiento) no funciona en el modo sincrónico ni en el modo de grabación de copia. Realice la grabación manualmente si usted quiere utilizar la función de fader in/out (aparición/desvanecimiento).

**12 REPRODUCCIÓN NORMAL**

**1. Comienzo de la reproducción**

Primero intente reproducir las pista en orden.



<b>1</b>	Cargue el disco que vaya a reproducir.
<b>2</b>	<ul style="list-style-type: none"> <li>• Pulse el botón PLAY (▶) para comenzar la reproducción de CD.</li> <li>• A continuación se iluminará "▶" y aparecerá en la pantalla el número de pista y el tiempo de la pista en reproducción.</li> <li>• Pulse el botón TIME una vez, dos veces o tres veces para ver: El tiempo restante de pista, tiempo restante total y tiempo de pista transcurrido.</li> </ul>

**NOTA:**

- En casos tales como cuando no se ha cargado un disco, no se pueda leer correctamente el disco debido a arañazos o suciedad, o se haya cargado el disco al revés, se visualizará "No Disc".

**2. Comienzo de la reproducción**

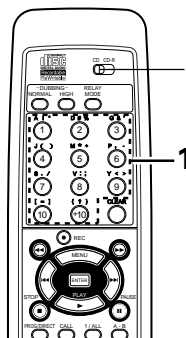
<b>3</b>	<p>Pulse el botón de detención (■ STOP).</p> <ul style="list-style-type: none"> <li>• A continuación la reproducción se detendrá.</li> <li>• Una vez que se hayan reproducido todas las pistas del disco, se ajustará automáticamente el modo de detención.</li> </ul>
----------	--

## 13 DIVERSAS FUNCIONES DE REPRODUCCIÓN

Además de la reproducción normal, el CDR-W1500 también dispone de las siguientes funciones de reproducción.

### 1. Reproducción de una pista determinada (sólo desde la unidad de mando a distancia) ..... Búsqueda directa

(Unidad de mando a distancia)



Seleccione la plataforma que se va a operar.

1

Utilice los botones numéricos (1 a 10) y el botón +10 para introducir el número de la pista deseada.

• Por ejemplo:

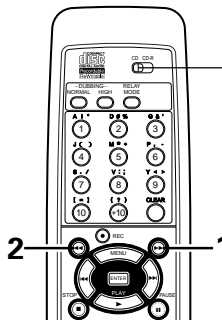
Pulse el botón [4] para escuchar la pista 4ª, los botones [+10] y [2] para oír la pista 12ª, [+10], [+10] y [10] para oír la pista 30ª. La reproducción comenzará desde esta pista.

### 2. Búsqueda de la posición deseada mientras se escucha el sonido ..... Búsqueda manual

• Utilice esta función para pasar rápidamente por el disco mientras oye el sonido.

Esta función resulta útil para buscar una sección determinada dentro de una pista larga.

(Unidad de mando a distancia)



Seleccione la plataforma que se va a operar.

#### (1) Búsqueda hacia adelante

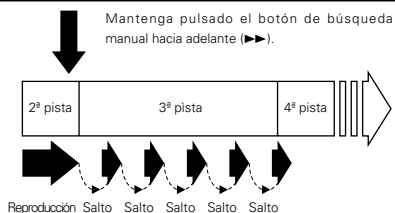
1

Durante la reproducción, mantenga pulsado el botón de búsqueda manual hacia adelante (▶▶).

• La grabación normal se reanuda desde el punto en el que se haya liberado el botón.

• La reproducción se detendrá si se llega al final de la última pista del disco mientras se mantiene pulsado el botón de búsqueda manual hacia adelante (▶▶).

• Para realizar la búsqueda hacia adelante a alta velocidad sin oír el sonido, pulse el botón de búsqueda manual hacia adelante (▶▶) en el modo de pausa.



#### (2) Búsqueda hacia atrás

2

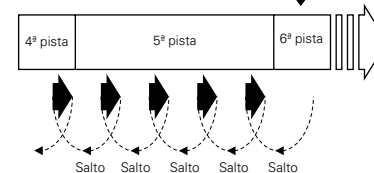
Durante la reproducción, mantenga pulsado el botón de búsqueda manual hacia atrás (◀◀).

• La grabación normal se reanuda desde el punto en el que se haya liberado el botón.

• La búsqueda manual se detendrá y la reproducción comenzará cuando se llegue al comienzo de la primera pista del disco mientras se mantiene pulsado el botón de búsqueda manual hacia atrás (◀◀).

• Para realizar la búsqueda hacia atrás a alta velocidad sin oír el sonido, pulse el botón de búsqueda manual hacia atrás (◀◀) en el modo de pausa.

Mantenga pulsado el botón de búsqueda manual hacia atrás (◀◀).



#### NOTA:

• Puede que se produzca una ligera interrupción de sonido al volver a la reproducción normal desde el modo de búsqueda manual.

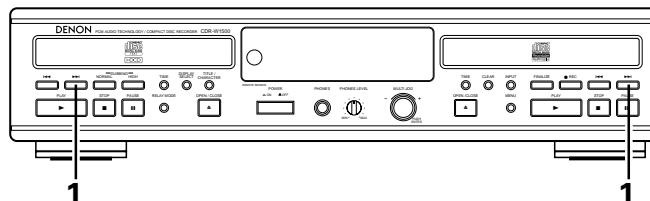
### 3. Búsqueda de los principios de las pistas durante la reproducción ..... Búsqueda automática

#### (1) Movimiento hacia adelante al comienzo de la pista siguiente

(Unidad de mando a distancia)

Seleccione la plataforma que se va a operar.

(Unidad principal)

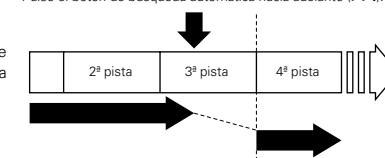


1

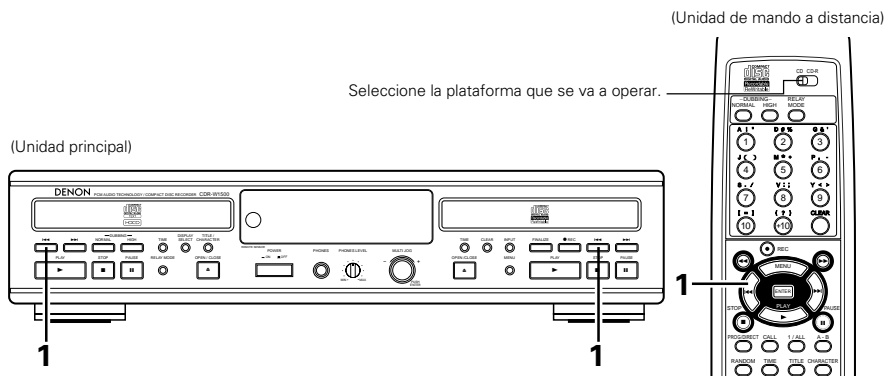
Pulse el botón de búsqueda automática hacia adelante (▶▶▶).

• Durante la operación de búsqueda, pulse el botón de búsqueda automática hacia adelante (▶▶▶) nuevamente para ir al comienzo de la siguiente pista.

Pulse el botón de búsqueda automática hacia adelante (▶▶▶).



**(2) Movimiento hacia atrás al comienzo de la pista actual**



**1** Pulse el botón de búsqueda automática hacia atrás (◀◀).

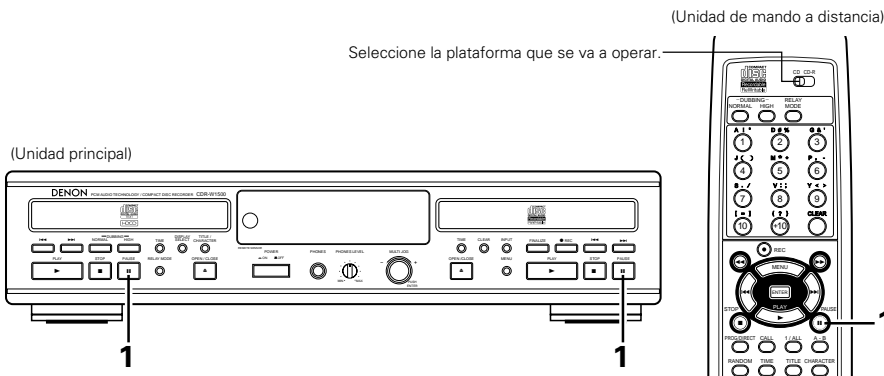
- Durante la operación de búsqueda, pulse el botón de búsqueda automática hacia atrás (◀◀) nuevamente para ir al comienzo de la pista anterior.

Pulse el botón de búsqueda automática hacia atrás (◀◀).

**4. Detención temporal de la reproducción**

**Pausa**

- Utilice esta función para detener temporalmente la reproducción y luego reanudarla desde el mismo punto.



**1** Durante la grabación, pulse el botón de pausa (|| PAUSE).

- A continuación se ajustará el modo de pausa.
- Pulse el botón de reproducción (▶ PLAY) para reanudar la reproducción desde el punto en que se haya ajustado el modo de pausa.

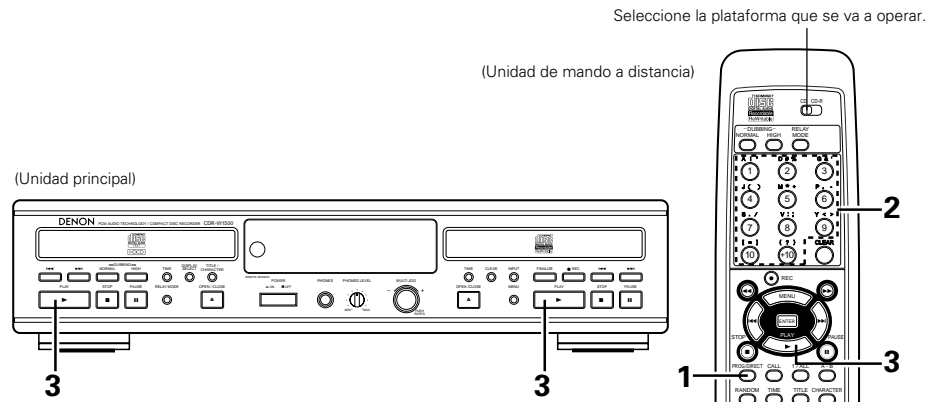
① Pulse el botón de pausa (|| PAUSE).

② Pulse el botón de reproducción (▶ PLAY).

**5. Reproducción de pistas en un orden determinado**

**Reproducción programada**

- Utilice esta función para seleccionar pistas determinadas del disco y prográmelas en un orden determinado.
- Se pueden programar hasta 30 pistas.



**1** En el modo de detención, pulse el botón PROG/DIRECT.

- A continuación se iluminará el indicador "PROG".

**2** Utilice los botones numéricos y el botón +10 para seleccionar las pistas de la reproducción programada.

- Por ejemplo, para programar las pistas 3ª, 12ª y 7ª, pulse [PROG/DIRECT], [3], [+10], [2] y [7].

**3** Pulse el botón de reproducción (▶ PLAY).

- A continuación las pistas se reproducirán en el orden programado.

- Para comprobar el contenido del programa, pulse el botón CALL. Las pistas programadas aparecerán en la pantalla en el orden programado cada vez que se pulse el botón CALL.
- Para cambiar el programa, pulse el botón CLEAR en el modo de detención y luego programe la pista deseada. La última pista programada será reemplazada por la pista que se acaba de introducir.
- Para borrar todo el programa, pulse el botón PROG/DIRECT o el botón de apertura/cierre (▲ OPEN/CLOSE) en el modo de detención.

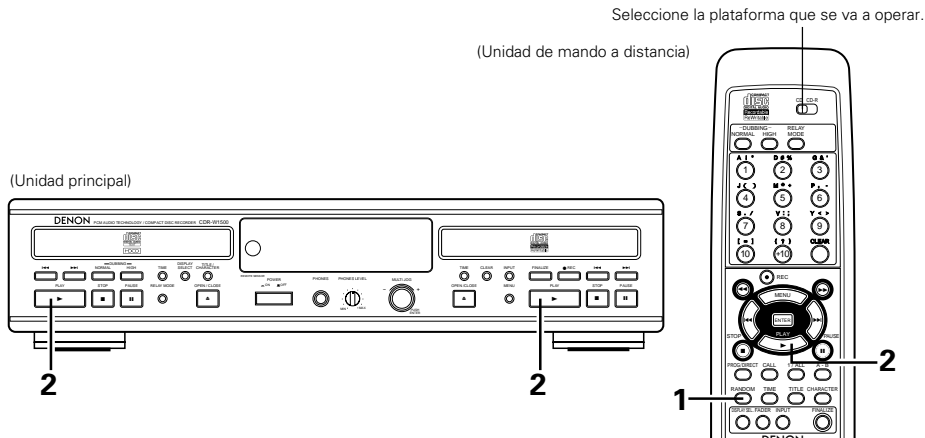
**NOTAS:**

- El modo de repetición de pista individual y el modo de repetición A-B no se pueden ajustar durante la reproducción programada.
- Se pueden ajustar programas con un tiempo de reproducción total de 99 minutos, pero el tiempo no se visualizará correctamente.
- La reproducción programada no es posible con discos no finalizados.
- La operación de búsqueda directa no es posible durante la reproducción programada.
- Los números de pista de 21 o mayores pueden ser programados para discos que contengan más de 20 pistas, pero cuando se hace esto el tiempo no se visualiza adecuadamente.

6. Reproducción en orden aleatorio

Reproducción aleatoria

- Utilice esta función para reproducir todas las pistas del disco una vez en orden aleatorio.



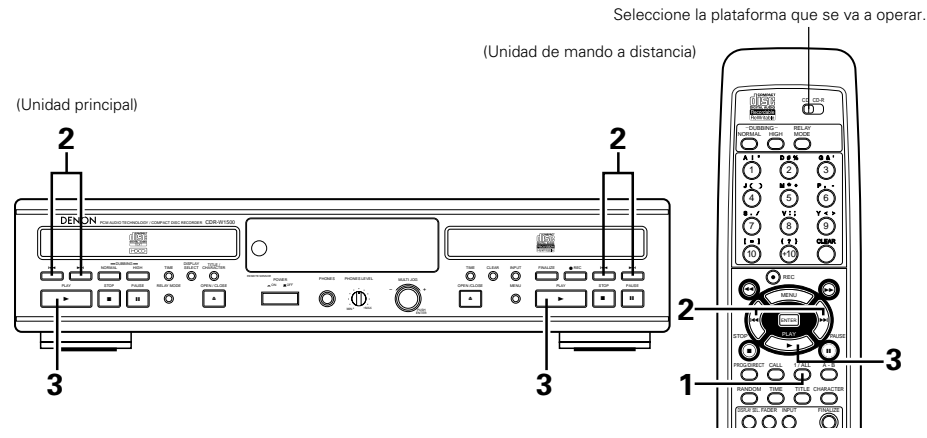
- |          |  |
|----------|--|
| <b>1</b> | <p>En el modo de detención, pulse el botón RANDOM.</p> <ul style="list-style-type: none"> <li>A continuación se iluminará el indicador "RAND".</li> </ul>  |
| <b>2</b> | <p>Pulse el botón de reproducción (▶) PLAY.</p> <ul style="list-style-type: none"> <li>Durante la reproducción normal. Las pistas se reproducirán automáticamente en orden aleatorio.</li> <li>Durante el modo de repetición de todas las pistas: Se reproducirán todas las pistas una vez en orden aleatorio y luego se repetirán en otro orden aleatorio.</li> <li>Para cancelar el modo de reproducción aleatorio, ajuste el modo de detención o pulse el botón RANDOM otra vez.</li> </ul> |

- NOTAS:**
- El modo de repetición de pista individual y el modo de repetición A-B no se pueden ajustar durante la reproducción aleatoria.
  - La reproducción aleatoria no es posible con los discos no finalizados.

7. Reproducción repetida

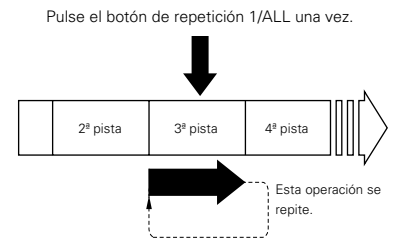
Repetición de reproducción

(1) Reproducción de una pista individual repetidamente (Repetición de pista individual)



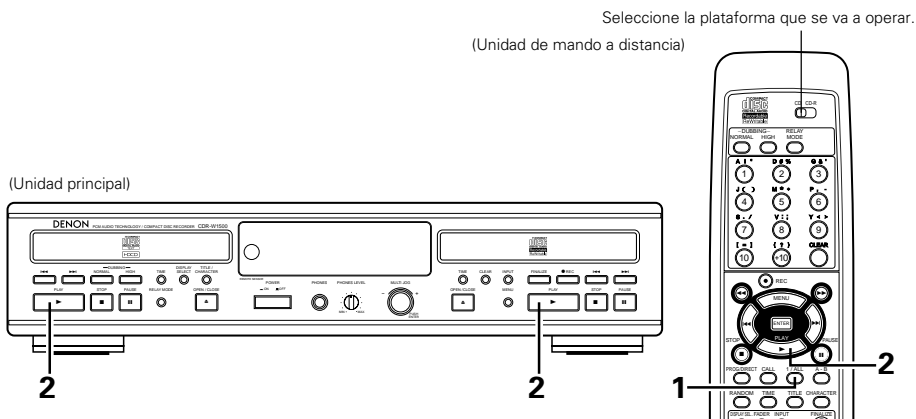
- |          |  |
|----------|--|
| <b>1</b> | <p>Pulse el botón de repetición 1/ALL una vez.</p> <ul style="list-style-type: none"> <li>A continuación se iluminarán los indicadores "REPEAT 1" en la pantalla y se ajustará el modo de repetición de pista individual.</li> </ul> |
| <b>2</b> | <p>Utilice los botones de búsqueda automática (◀◀ y ▶▶) para seleccionar la pista que desee reproducir repetidamente.</p>  |

- |          |  |
|----------|--|
| <b>3</b> | <p>Pulse el botón de reproducción (▶) PLAY.</p> <ul style="list-style-type: none"> <li>A continuación comenzará la reproducción.</li> <li>Una vez que concluya la pista seleccionada, se reproducirá otra vez desde el principio.</li> <li>El modo de repetición de pista individual también puede ajustarse pulsando el botón de repetición 1/ALL durante la reproducción. La pista actual se reproducirá repetidamente.</li> <li>Para cancelar el modo de repetición de pista individual, pulse el botón de repetición 1/ALL repetidamente hasta que se apague el indicador "REPEAT".</li> </ul> |
|----------|--|





**(2) Reproducción de todas las pistas repetidamente [All Track Repeat]**



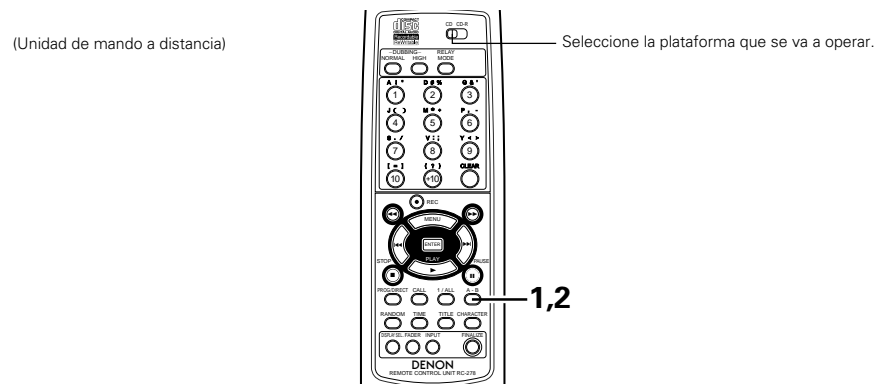
- |          |  |
|----------|--|
| <b>1</b> | <p>Pulse el botón de repetición 1/ALL dos veces.</p> <ul style="list-style-type: none"> <li>A continuación se iluminarán los indicadores "REPEAT" en la pantalla y se ajustará el modo de repetición de todas las pistas.</li> </ul>   |
| <b>2</b> | <p>Pulse el botón de reproducción ► PLAY.</p> <ul style="list-style-type: none"> <li>El disco actual se reproducirá repetidamente.</li> <li>El modo de repetición de todas las pistas también puede ajustarse pulsando el botón de repetición 1/ALL dos veces durante la reproducción.</li> <li>Si se pulsa el botón de repetición 1/ALL durante la reproducción programada, las pistas se reproducirán repetidamente en el orden programado.</li> <li>Para cancelar el modo de repetición de todas las pistas, pulse el botón de repetición 1/ALL repetidamente hasta que se apague el indicador "REPEAT".</li> </ul> |

**NOTAS:**

- El modo de repetición de pista individual y el modo de repetición A-B no se pueden ajustar durante la reproducción aleatoria.
- La repetición de reproducción no es posible con los discos no finalizados.

**(3) Reproducción de una sección entre dos puntos cualesquiera repetidamente [A-B Repeat]**

★ Esta función le permite reproducir una sección determinada de una pista repetidamente.



- |          |   |
|----------|---|
| <b>1</b> | <p>Durante la reproducción, pulse el botón de repetición A-B en la posición en la que desee comenzar la repetición (punto A).</p> <ul style="list-style-type: none"> <li>A continuación se iluminará el indicador "REPEAT A-".</li> </ul>   |
| <b>2</b> | <p>Pulse el botón de repetición A-B nuevamente en la posición en la que desee detener la repetición (punto B).</p> <ul style="list-style-type: none"> <li>A continuación se iluminará el indicador "REPEAT A-B", la lente lectora volverá al punto A y la sección se reproducirá repetidamente.</li> </ul> <div style="text-align: center;"> </div> |
- Para detener la repetición de reproducción A-B, pulse el botón de repetición A-B de la unidad de mando a distancia hasta que se apague el indicador "REPEAT". El modo de repetición A-B se cancelará y comenzará la reproducción normal desde el principio de la pista actual.
- Si se pulsa el botón STOP (■), el modo de repetición A-B se cancelará y se ajustará el modo de detención.

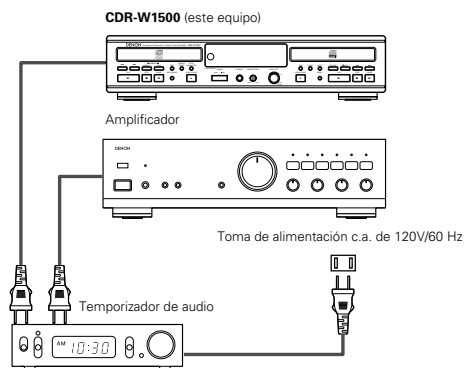
**NOTAS:**

- La repetición de reproducción A-B no es posible durante la reproducción programada o la reproducción aleatoria.
- Las funciones de búsqueda automática y manual no se pueden utilizar durante la repetición de reproducción A-B o cuando se ajusta el punto B.
- Cuando se cancela la repetición de reproducción A-B porque se ha ajustado el punto B en una pista distinta del punto A, la reproducción se reanuda desde el comienzo de la pista que se esté reproduciendo cuando se cancela el modo de repetición de reproducción A-B.
- La repetición de reproducción A-B no es posible con los discos no finalizados.

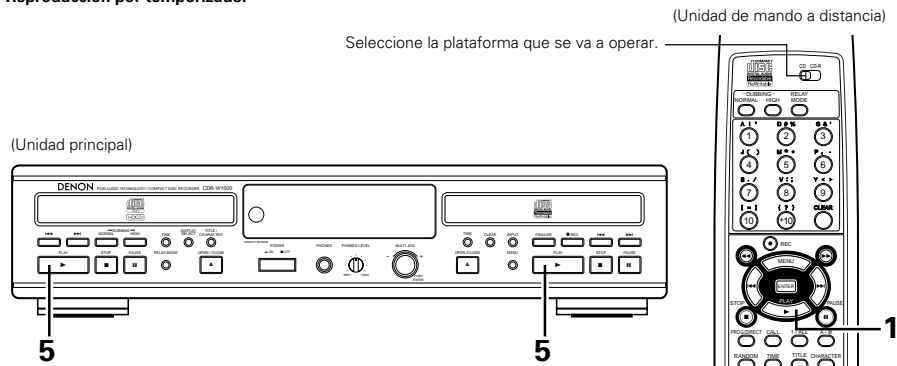
**8. Reproducción por temporizador**

- Para dar comienzo a la reproducción o a la grabación a una hora específica puede utilizarse un temporizador de audio, de venta aparte.
- Además, remítase a las instrucciones de funcionamiento del temporizador de audio y del amplificador.
- Los modos programa y relé puede ser utilizados.

**(1) Conexiones**



**(2) Reproducción por temporizador**

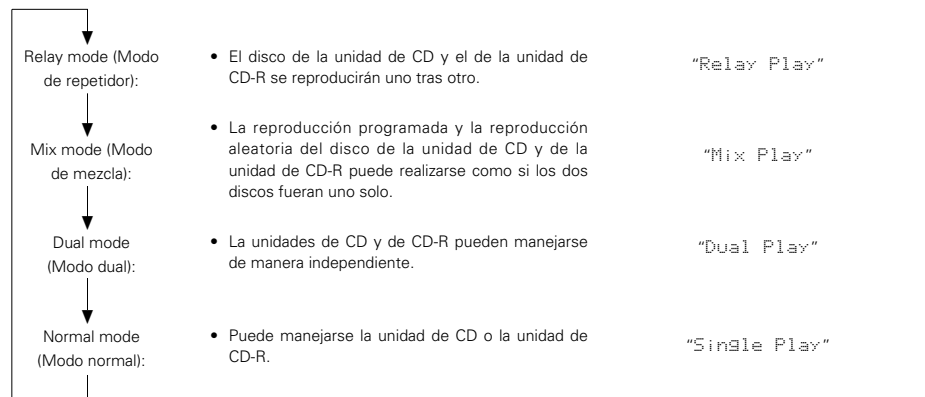


<b>1</b>	Encienda el CDR-W1500 y los componentes conectados.
<b>2</b>	Siga el procedimiento de "Método de configuración (10) Ajustes del modo de reproducción por temporizador" (página 75) y realice el ajuste de activado de reproducción por temporizador.
<b>3</b>	Cargue el disco para reproducción por temporizador en el CDR-W1500.
<b>4</b>	Ajuste el selector de entrada del amplificador a "CD".
<b>5</b>	Pulse el botón de reproducción (▶ PLAY). • Reproduzca el disco para comprobar el volumen.
<b>6</b>	Ajuste el temporizador de audio a la hora deseada. • La alimentación de los componentes conectados al temporizador de audio se desactivará. • Cuando se llegue a la hora ajustada, la alimentación de los diversos componentes se activará automáticamente y la reproducción comenzará desde la pista uno.
<ul style="list-style-type: none"> <li>• Los ajustes para el modo de programa, modo aleatorio, modo relé, etc., son almacenados en la memoria antes de que la alimentación sea desactivada.</li> <li>• Si no hay ningún disco en el lado de CD y se carga un disco en el lado CD-R: La reproducción de temporizador no funciona si el modo relé está ajustado a normal o dual. La reproducción de temporizador funciona para el lado CD-R cuando el modo relé se ajusta a relé o mix.</li> </ul>	

**14 MODO DE REPETICIÓN**

**Modo de repetidor**

- ★ Mediante el funcionamiento de repetidor entre el CD y el CD-R del equipo pueden realizarse diversos tipos de reproducción y grabación.
- ★ Se dispone de tres modos de repetidor.
- ★ El modo ajustado se almacena en memoria, pero los datos pueden borrarse si no se enciende la alimentación en 2 o 3 días.
- Cada vez que se pulse el botón RELAY MODE, el modo cambiará de la manera siguiente.

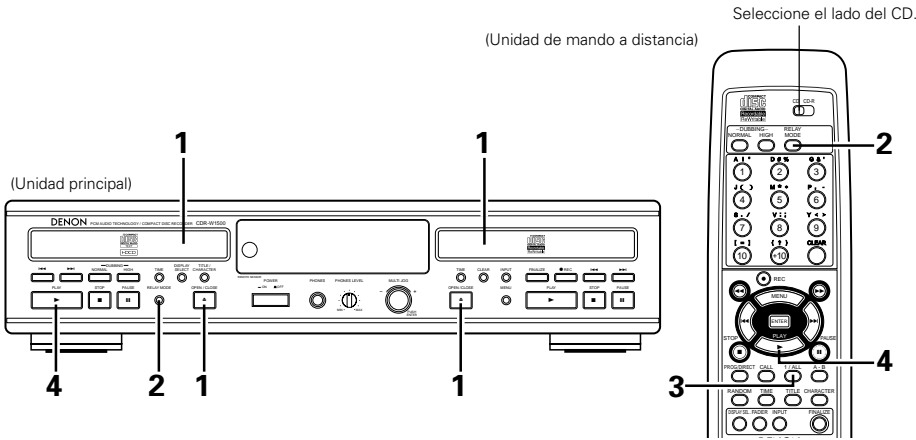


**NOTA:**

- La grabación, finalización y edición no son posibles en los modos relé o mix.

**1. Reproducción de repetidor**

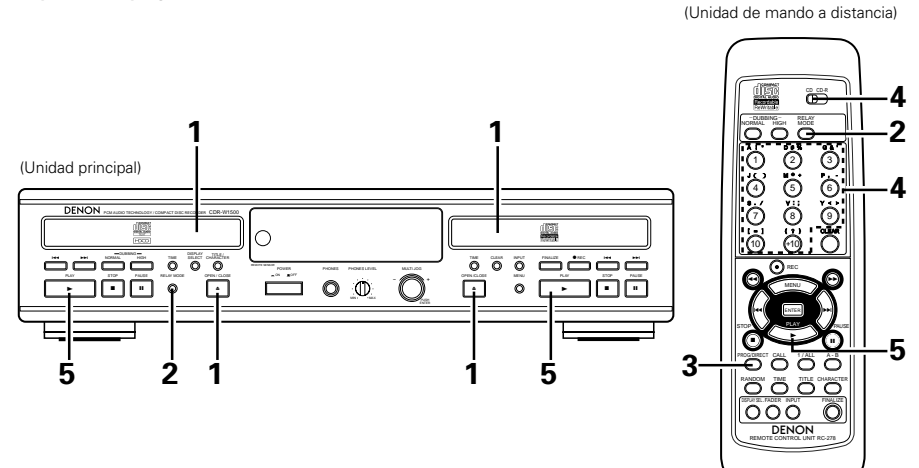
- ★ Con el modo de reproducción de repetidor es posible reproducir el disco de la unidad de CD y el de la unidad de CD-R, haciendo un relevo entre ellos.
- ★ Los modos de reproducción programada y aleatorio pueden preajustarse para los discos de las unidades de CD y de CD-R.



**2. Modo de mezcla**

- ★ En el modo de mezcla, la reproducción programada y la reproducción aleatoria del disco de la unidad de CD y de la unidad de CD-R puede realizarse como si se tratara de un solo disco.

**(1) Reproducción programada de mezcla**



<b>1</b>	Cargue los discos que desee reproducir en las unidades de CD y de CD-R.						
<b>2</b>	Pulse el botón RELAY MODE y seleccione "Relay Play". • A continuación se iluminará el indicador "RELAY".						
<b>3</b>	Utilice el botón de repetición 1/ALL de la sección CD o CD-R de la unidad de mando a distancia para activar o desactivar el modo de repetición. • El modo de repetición de 1 pista no puede ajustarse en el modo de repetidor. • La operación de relevo se realiza tal como se ilustra a continuación, de acuerdo con la combinación de los modos de repetidor y de repetición:						
	<table border="1"> <thead> <tr> <th>Modo de repetición</th> <th>Funcionamiento de repetidor</th> </tr> </thead> <tbody> <tr> <td>Repetición activada: Indicador "REPEAT" iluminado</td> <td> </td> </tr> <tr> <td>REPEAT apagado</td> <td> </td> </tr> </tbody> </table>	Modo de repetición	Funcionamiento de repetidor	Repetición activada: Indicador "REPEAT" iluminado		REPEAT apagado	
Modo de repetición	Funcionamiento de repetidor						
Repetición activada: Indicador "REPEAT" iluminado							
REPEAT apagado							
<b>4</b>	Cuando se pulse el botón de reproducción de la unidad de CD, la reproducción de repetidor dará comienzo. • El sonido se emitirá por los terminales de salida de CD/CD-R. • Para salir del modo de repetidor, pulse el botón de modo de repetidor y seleccione "Single Play". • Durante la reproducción de repetidor, el disco del lado que no esté funcionando puede reemplazarse.						

<b>1</b>	Cargue los discos que desee reproducir en las unidades de CD y de CD-R.
<b>2</b>	Pulse el botón RELAY MODE y seleccione "Mix Play". • A continuación se iluminará el indicador "MIX".
<b>3</b>	Pulse el botón PROG/DIRECT de la unidad de CD o de CD-R en la unidad de mando a distancia para ajustar el modo de programa. • A continuación se iluminará el indicador "PROG".
<b>4</b>	Observe el procedimiento de "Reproducción programada" de la página 83 para programar las pistas en el orden que desee reproducirlas. • Es posible programar las pistas de las unidades de CD y de CD-R por medio del selector CD/CD-R de la unidad de mando a distancia para cambiar entre las unidades. • Se pueden programar hasta 30 pistas.
<b>5</b>	La reproducción programada de mezcla comenzará cuando se pulse el botón de reproducción de la unidad de CD o de CD-R. • El sonido se emitirá por los terminales de salida de CD/CD-R. • Para salir del modo de mezcla, pulse el botón de modo de repetidor y seleccione "Single Play".

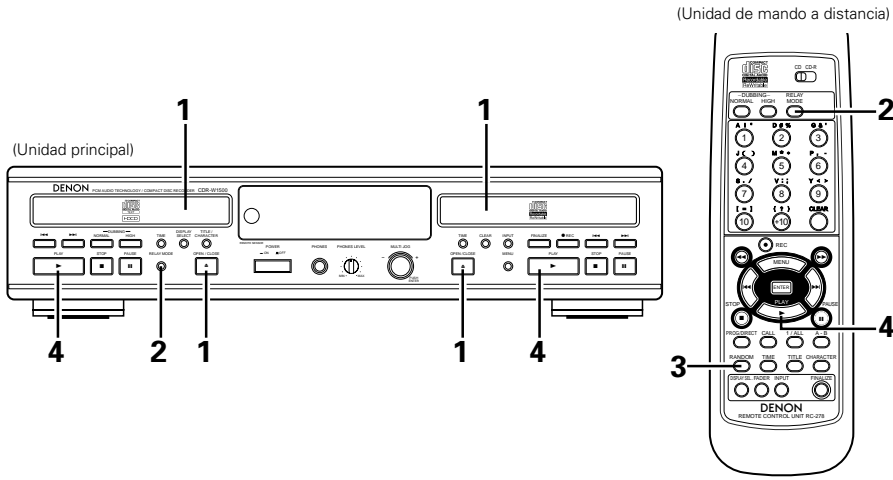
**NOTA:**

- Cuando se realiza el relé entre un CD y un CD-R, los datos digitales del terminal de salida digital CD/CD-R se interrumpen momentáneamente. La entrada digital del dispositivo externo conectado está temporalmente abierta en este momento.

**NOTA:**

- Cuando se realiza el relé entre un CD y un CD-R, los datos digitales del terminal de salida digital CD/CD-R se interrumpen momentáneamente. La entrada digital del dispositivo externo conectado está temporalmente abierta en este momento.

**(2) Reproducción aleatoria de mezcla**



<b>1</b>	Cargue los discos que desee reproducir en las unidades de CD y de CD-R.
<b>2</b>	Pulse el botón RELAY MODE y seleccione "Mix Play". • A continuación se iluminará el indicador "MIX".
<b>3</b>	Pulse el botón RANDOM de la unidad de CD o de CD-R en la unidad de mando a distancia para ajustar el modo aleatorio. • A continuación se iluminará el indicador "RAND".
<b>4</b>	La reproducción programada de aleatoria comenzará cuando se pulse el botón de reproducción de la unidad de CD o de CD-R. • El sonido se emitirá por los terminales de salida de CD/CD-R. • Para salir del modo de mezcla, pulse el botón de modo de repetidor y seleccione "Single Play".

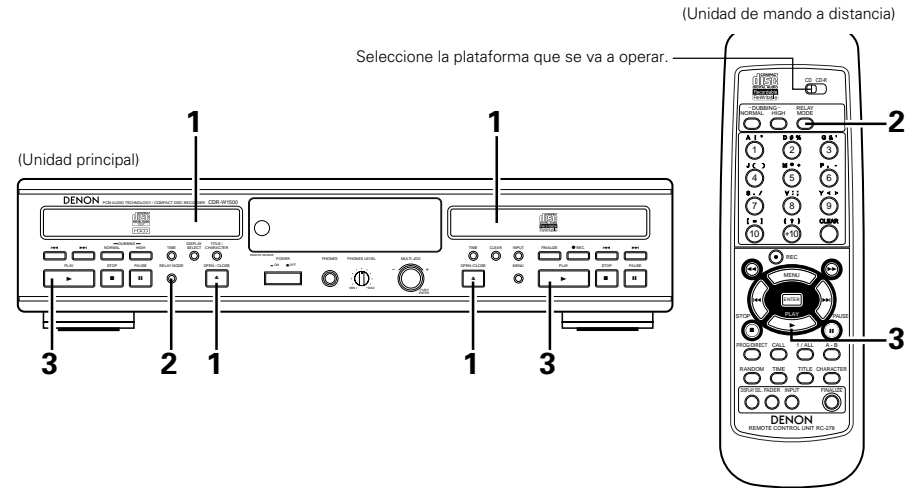
**NOTA:**

- Si el modo de programa y el modo aleatorio no se ajustan en el modo de mezcla, el funcionamiento será igual que el modo de repetidor (con el modo de repetición desactivado).
- Cuando se realiza el relé entre un CD y un CD-R, los datos digitales del terminal de salida digital CD/CD-R se interrumpen momentáneamente. La entrada digital del dispositivo externo conectado está temporalmente abierta en este momento.

**3. Modo dual**

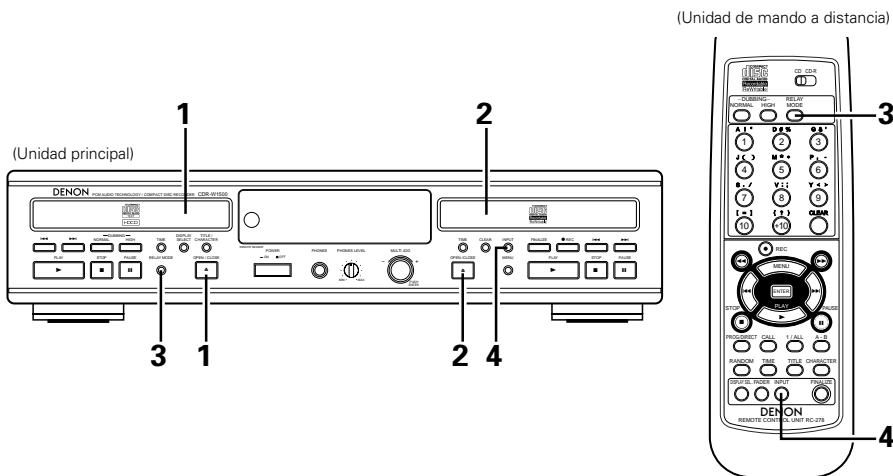
- ★ En el modo dual, la unidad de CD y la unidad de CD-R pueden manejarse de manera independiente.
- ★ Puede realizarse la grabación manual desde la sección de CD de la unidad principal.
- ★ Es posible grabar desde una unidad externa en la unidad CD-R mientras que se reproduce un disco en la unidad de CD.

**(1) Reproducción dual**



<b>1</b>	Cargue los discos que desee reproducir en las unidades de CD y de CD-R.
<b>2</b>	Pulse el botón RELAY MODE y seleccione "Dual Play". • A continuación se iluminará el indicador "DUAL".
<b>3</b>	La reproducción dual comenzará cuando se pulse el botón de reproducción de la unidad de CD o de CD-R. • El sonido del CD se emitirá por los terminales de salida de CD solamente y el sonido del CD-R se emitirá por los terminales de salida de CD/CD-R. • Sólo el sonido del CD-R se emitirá por la toma de auriculares. • La pantalla puede cambiarse con el botón DISPLAY SELECT para que pueda comprobar la información de tiempos, etc., del CD y del CD-R. • Para salir del modo dual, pulse el botón de modo de repetidor y seleccione "Single Play".

(2) Grabación manual desde la sección de CD



<b>1</b>	Cargue el CD que desee copiar en la unidad de CD.
<b>2</b>	Cargue el CD-R/RW en el que desee grabar en la unidad de CD-R.
<b>3</b>	Pulse el botón RELAY MODE y seleccione "Dual Play". • A continuación se iluminará el indicador "DUAL".
<b>4</b>	Pulse el botón selector de entrada y ajuste "CD".
<b>5</b>	Observe el procedimiento de "Grabación desde dispositivos externos" de la página 77~81 para grabar. • La pantalla puede cambiarse con el botón DISPLAY SELECT para que pueda comprobar la información de tiempos, etc., del CD y del CD-R. • Para salir del modo dual, pulse el botón de modo de repetidor y seleccione "Single Play".

**NOTA:**

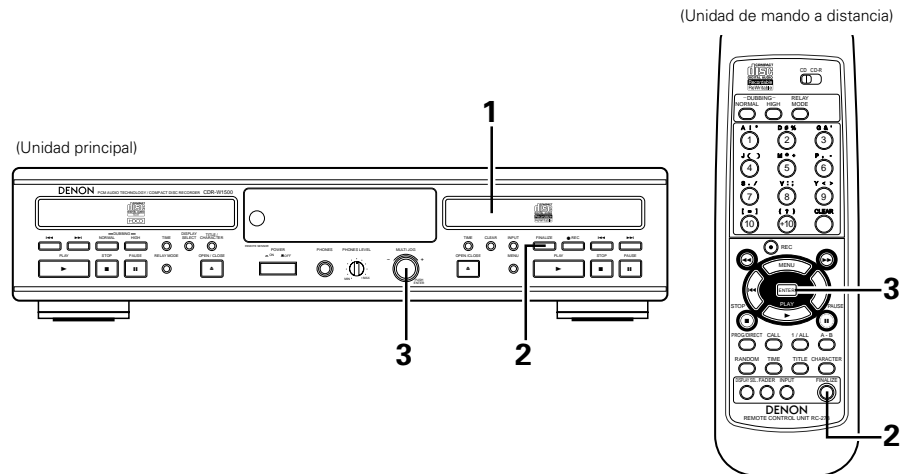
- Solo señales digitales se pueden grabar manualmente desde la unidad de CD.

## 15 FINALIZACIÓN DE DISCOS CD-R/RW

- ★ La finalización es un procedimiento sencillo, necesario para:
  - Poder reproducir grabaciones en un reproductor de CD,
  - Evitar posteriores grabaciones indeseadas en un disco,
  - Evitar el borrado de pistas de un CD-RW.
- ★ Esta operación no es posible en los modos relé o mix. Cambie al modo normal o dual para realizar esta operación.
- ★ Cierre la bandeja portadiscos y ajuste el modo parada para la sección de CD.

**(1) Finalización automática**  
La finalización automática es posible cuando se utiliza la función de grabación Realizar CD. Véase "Procedimiento de Copiado "Grabación sincronizada del disco", en la página 75, 80.

**(2) Finalización manual**



<b>1</b>	Cargue el disco CD-R/RW que vaya a finalizar.
<b>2</b>	Con el grabador detenido, pulse el botón FINALIZE. • A continuación se visualizará "Finalize OK?".
<b>3</b>	Pulse el botón ENTER (intro). • La pantalla pasa por una cuenta atrás a través de la finalización. • Al terminar, en la pantalla aparecerán el número total de pistas y el tiempo total de grabación realizada. • El indicador de disco de la pantalla mostrará "CD".

**NOTAS:**

- Asegúrese de que el disco esté totalmente libre de arañazos y de partículas de polvo.
- La finalización tardará como mínimo de 2 a 4 minutos.
- Durante la finalización, el grabador de CD no aceptará ninguna orden de funcionamiento.
- Los datos de texto se escribirán en el disco cuando éste haya sido finalizado. Si desea introducir texto, deberá hacerlo antes de la finalización.
- Para información sobre la cancelación de la finalización de CD-RW, consulte "Cancelación de finalización de discos CD-RW (v.gr. Anulación de finalización)", en la página 90.
- Nunca desactive la alimentación o desconecte el cable de alimentación durante la finalización. Hacer esto puede volver el disco inutilizable.

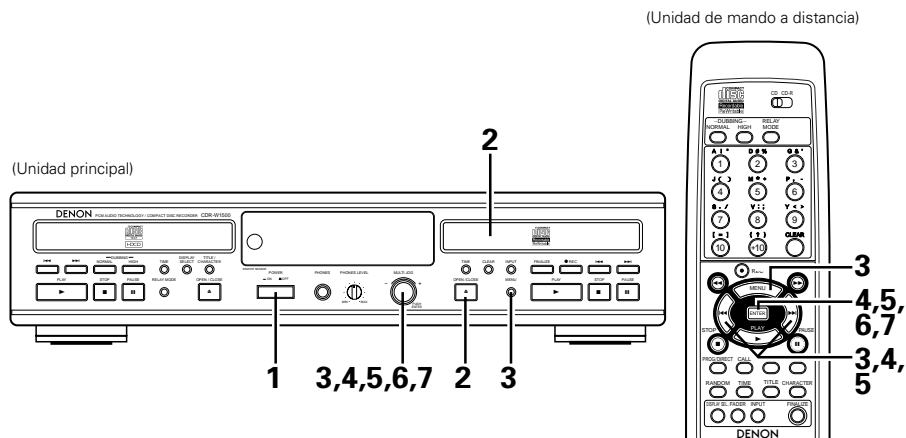
## 16 EDICIÓN

- ★ Esta operación no es posible en los modos relé o mix. Cambie al modo normal o dual para realizar esta operación.
- ★ Cierre la bandeja portadiscos y ajuste el modo parada para la sección de CD.

### 1. Edición de CD-R/RW

#### (1) Cancelación de finalización de discos CD-RW (v.gr. anulación de finalización)

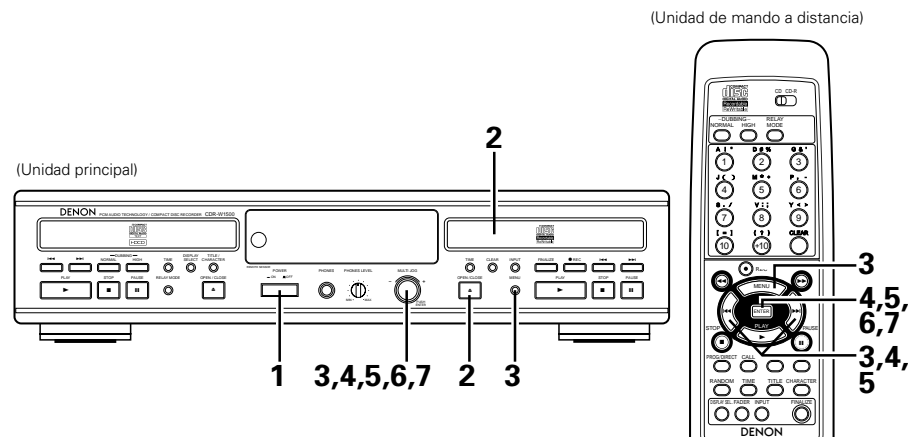
- ★ Esta operación sólo es válida para discos CD-RW. La finalización no puede cancelarse desde discos CD-R.
- ★ Utilice esta operación para cancelar la finalización cuando se adicionen más grabaciones a un disco CD-RW finalizado.
- ★ El borrado se completará en algunos minutos.



<b>1</b>	Active la alimentación.
<b>2</b>	Cargue el disco CD-RW cuya finalización vaya a ser cancelada.
<b>3</b>	Pulse el botón MENU, gire el disco de la unidad principal o pulse el botón de búsqueda automática de la unidad de mando a distancia, y seleccione el modo de borrado para múltiples pistas. • A continuación se visualizará "CD-R/RW Edit?".
<b>4</b>	Pulse el botón ENTER, gire el disco de la unidad principal o pulse el botón de búsqueda automática de la unidad de mando a distancia, y seleccione el modo sincronizado para una pista. • A continuación se visualizará "CD-RW Erase?".
<b>5</b>	Ahora pulse el botón ENTER, gire el disco de la unidad principal o pulse el botón de búsqueda automática de la unidad de mando a distancia, y seleccione el modo sincronizado para una pista. • A continuación se visualizará "TOC Erase?".
<b>6</b>	Pulse el botón ENTER. • A continuación se visualizará "Erase OK?".
<b>7</b>	Pulse el botón ENTER otra vez. • A continuación parpadeará el mensaje "TOC Erase". • Cuando la anulación de finalización haya terminado, la visualización de tipo de disco será "CD-RW".

### (2) Borrar las pistas

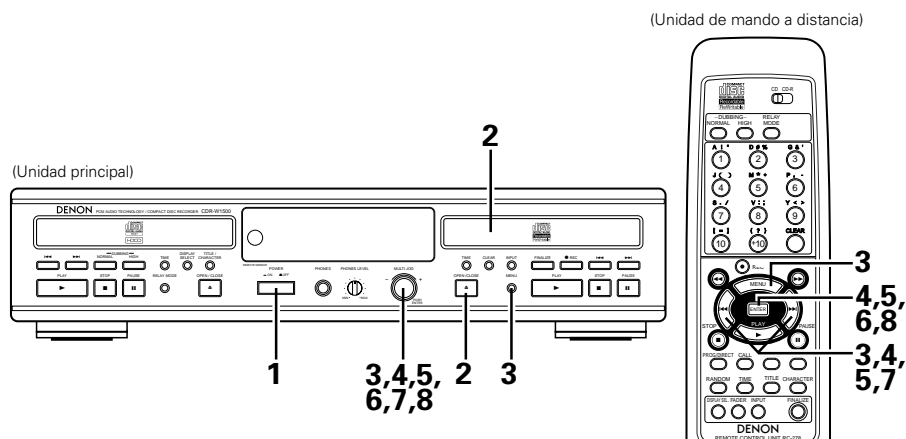
- ★ Esta operación es válida solo para discos CD-RW.
- ★ Utilice esta operación para cancelar la finalización cuando se adicionen más grabaciones a un disco CD-RW finalizado y cuando se borren pistas grabadas.
- ★ El borrado se completará en algunos minutos.



<b>1</b>	Active la alimentación.
<b>2</b>	Cargue el disco CD-RW que vaya a borrar.
<b>3</b>	Pulse el botón MENU, gire el disco de la unidad principal o pulse el botón de búsqueda automática de la unidad de mando a distancia, y seleccione el modo de borrado para múltiples pistas. • A continuación se visualizará "CD-R/RW Edit?".
<b>4</b>	Pulse el botón ENTER, gire el dial jog de la unidad principal o pulse el botón de búsqueda automática de la unidad de mando a distancia, y seleccione el modo de borrado de todas las pistas. • A continuación se visualizará "CD-RW Erase?".
<b>5</b>	Ahora, pulse el botón ENTER, gire el dial jog de la unidad principal o pulse el botón de búsqueda automática de la unidad de mando a distancia, y seleccione el modo de borrado de todas las pistas. • A continuación se visualizará "All Erase?".
<b>6</b>	Pulse el botón ENTER. • A continuación se visualizará "Erase OK?".
<b>7</b>	Pulse el botón ENTER otra vez. • A continuación parpadeará el mensaje "All Erase". • Cuando el borrado haya concluido, la visualización de tiempos será "Blank Disc".

**(3) Borrado de una o más pistas alejadas de la última pista**

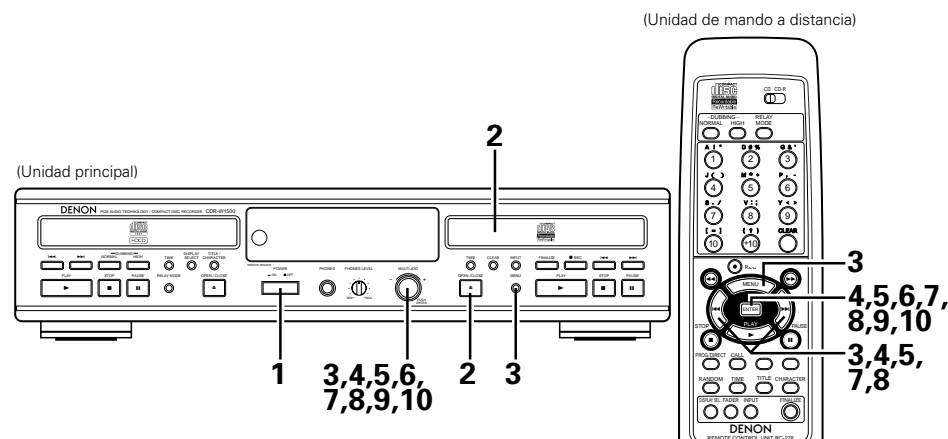
★ Cuando borre un disco CD-RW finalizado, primero deberá anular la finalización del disco.



<b>1</b>	Active la alimentación.
<b>2</b>	Cargue el disco CD-R/RW que vaya a borrar.
<b>3</b>	Pulse el botón MENU, gire el disco de la unidad principal o pulse el botón de búsqueda automática de la unidad de mando a distancia, y seleccione el modo de borrado para múltiples pistas. • A continuación se visualizará "CD-RW Edit?".
<b>4</b>	Pulse el botón ENTER, gire el dial jog de la unidad principal o pulse el botón de búsqueda automática de la unidad de mando a distancia, y seleccione el modo de borrado una pista. • A continuación se visualizará "CD-RW Erase?".
<b>5</b>	Ahora, pulse el botón ENTER, gire el dial jog de la unidad principal o pulse el botón de búsqueda automática de la unidad de mando a distancia, y seleccione el modo de borrado de una pista. • A continuación se visualizará "1 Tr Erase?".
<b>6</b>	Pulse el botón ENTER. • A continuación se visualizará "**--*Tr Erase".
<b>7</b>	Gire el jog dial de la unidad principal en sentido contrario a las agujas del reloj o pulse el botón de búsqueda automática REV del mando a distancia y seleccione el número de pista que desee borrar.
<b>8</b>	Pulse el botón ENTER otra vez. • A continuación parpadeará el mensaje "Tr Erase". • Cuando el borrado haya terminado, se visualizará en una parte del calendario musical el número de pistas que quedan después del borrado.

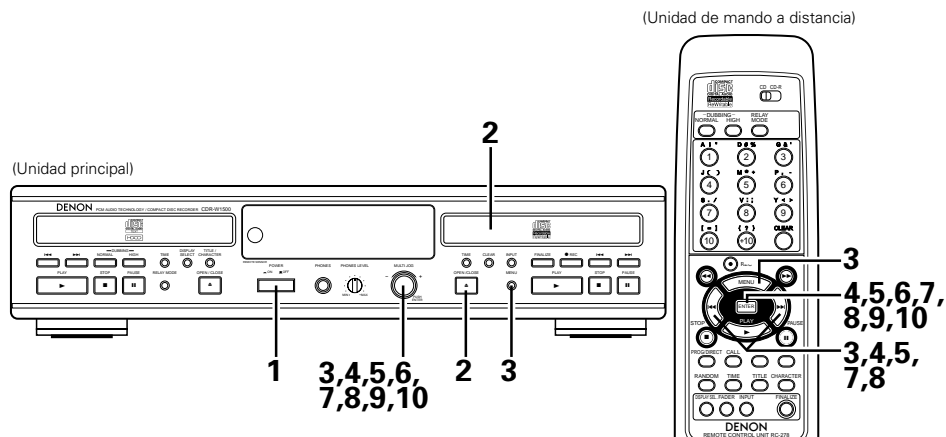
**(4) Registro de las pistas que no se desean escuchar**

★ Las pistas que no desee oír, como las que contienen errores de grabación, pueden ajustarse para que sean pasadas por alto durante la reproducción.



<b>1</b>	Active la alimentación.
<b>2</b>	Cargue el disco CD-R/RW que contenga las pistas que desee saltar durante al reproducción.
<b>3</b>	Pulse el botón MENU, gire el disco de la unidad principal o pulse el botón de búsqueda automática de la unidad de mando a distancia, y seleccione el modo de borrado para múltiples pistas. • A continuación se visualizará "CD-RW Edit?".
<b>4</b>	Pulse el botón ENTER, gire el dial jog de la unidad principal o pulse el botón de búsqueda automática de la unidad de mando a distancia, y seleccione el modo de ajuste de salto de pista. • A continuación se visualizará "Skip Track?".
<b>5</b>	Ahora, pulse el botón ENTER, gire el dial jog de la unidad principal o pulse el botón de búsqueda automática de la unidad de mando a distancia, y seleccione el modo de ajuste de salto de pista. • A continuación se visualizará "Skip Set?".
<b>6</b>	Pulse el botón ENTER. • A continuación se visualizará "Skip Set --Tr".
<b>7</b>	Gire el jog dial de la unidad principal o pulse el botón de búsqueda automática del mando a distancia y seleccione las pistas que desee saltar. Pulse el botón ENTER y set. • A continuación, parpadeará la visualización del calendario musical del número de pista seleccionado.
<b>8</b>	Repita el paso 7 y añada otra pista.
<b>9</b>	Pulse el botón ENTER durante la visualización del mensaje "Skip Set --Tr". • A continuación se visualizará "Skip Set OK?".
<b>10</b>	Pulse el botón ENTER. • A continuación se visualizará "Now PMA Rec" y el registro habrá concluido. • A continuación la visualización del calendario de música del número de pista seleccionado se desactivará.
• La visualización del número total de pistas y del tiempo total no cambia aún cuando las pistas están ajustadas para ser saltadas.	

**(5) Cancelación del registro de pista que no se desean escuchar**

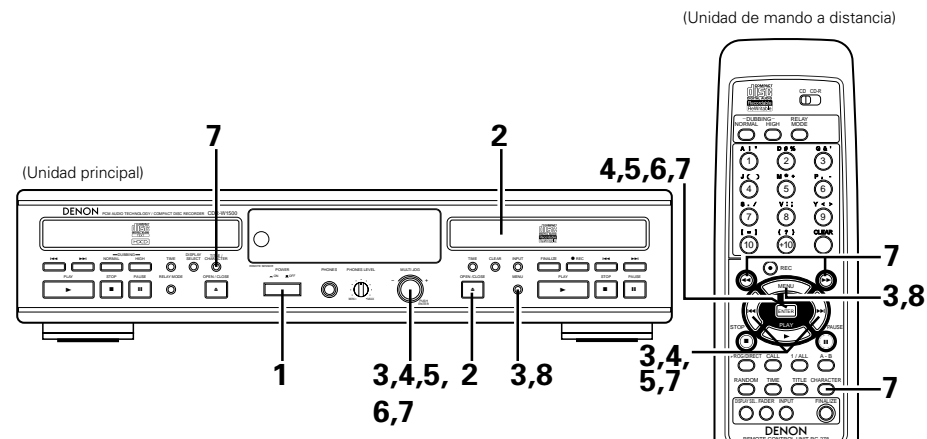


<b>1</b>	Active la alimentación.
<b>2</b>	Cargue el disco CD-R/RW para el que desee cancelar los ajustes de pistas no deseadas.
<b>3</b>	Pulse el botón MENU, gire el disco de la unidad principal o pulse el botón de búsqueda automática de la unidad de mando a distancia, y seleccione el modo de borrado para múltiples pistas. • A continuación se visualizará "CD-R/RW Edit?".
<b>4</b>	Pulse el botón ENTER, gire el dial jog de la unidad principal o pulse el botón de búsqueda automática de la unidad de mando a distancia, y seleccione el modo de ajuste de salto de pista. • A continuación se visualizará "Skip Track?".
<b>5</b>	Ahora, pulse el botón ENTER, gire el dial jog de la unidad principal o pulse el botón de búsqueda automática de la unidad de mando a distancia, y seleccione el modo de cancelación de ajuste de salto de pista. • A continuación se visualizará "Skip Clear?".
<b>6</b>	Pulse el botón ENTER. • A continuación se visualizará "S. Clear --Tr".
<b>7</b>	Gire el jog dial de la unidad principal o pulse el botón de búsqueda automática del mando a distancia y seleccione las pistas que desee cancelar. Pulse el botón ENTER y set. • A continuación, parpadeará la visualización del calendario musical del número de pista seleccionado.
<b>8</b>	Repita el paso 7 para añadir otra cancelación.
<b>9</b>	Pulse el botón ENTER durante la visualización de "S. Se visualizará "S. Clear --Tr". • A continuación se visualizará "SkipClearOK?".
<b>10</b>	Pulse el botón ENTER. • A continuación se visualizará "Now PMA Rec" y el registro habrá concluido.

**2. Ediciones de texto**

■ Pueden introducirse hasta 23 caracteres para los títulos de pista y de disco.

**(1) Adición de títulos de discos**



<b>1</b>	Active la alimentación.
<b>2</b>	Cargue el CD-R/RW cuyo nombre de disco desee asignar.
<b>3</b>	Pulse el botón MENU, gire el disco de la unidad principal o pulse el botón de búsqueda automática de la unidad de mando a distancia, y seleccione el modo de edición de TEXTO. • A continuación se visualizará "Text Edit?".
<b>4</b>	Pulse el botón ENTER, gire el dial jog de la unidad principal o pulse el botón de búsqueda automática de la unidad de mando a distancia para visualizar "Text In?".
<b>5</b>	Ahora pulse el botón ENTER, gire el disco de la unidad principal o pulse el botón de búsqueda automática de la unidad de mando a distancia para visualizar "Disc Title?".
<b>6</b>	Pulse el botón ENTER. • A continuación parpadeará el cursor, indicando el modo de espera de entrada de título

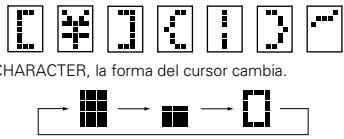
**NOTAS:**

- La realización de la finalización del disco cuando se han registrado las pistas que no se desean escuchar, produce la activación automática del modo de reproducción de salto.
- La reproducción de salto no es posible en reproductores de CD que no dispongan de la función de reproducción de salto.
- Las pistas que no desee oír, puede registrarse/cancelarse 21 veces.
- La reproducción de programa y la reproducción aleatoria no son posibles cuando se han registrado pistas que no se desean escuchar. (Las reproducciones programada y aleatoria son posibles una vez que se lleve a cabo la finalización).
- No es posible registrar o cancelar pistas que usted no desea escuchar con CDs comprados en almacén o discos CD-R/RW que han sido finalizados.



Introducción del título.

- Gire el jog dial del mando a distancia a distancia de la unidad principal o utilice los botones (◀◀ y ▶▶) del mando a distancia para seleccionar el carácter deseado.
- Algunos de los caracteres que pueden introducirse en el CDR-W1500 no pueden visualizarse en otros modelos.



- Cada vez que se pulsa el botón CHARACTER, la forma del cursor cambia.

[Explicación del cursor:]

	Modo de introducción de letras mayúsculas/números		Modo de introducción de caracteres especiales
	Modo de introducción de letras minúsculas/números		

[Caracteres y números disponibles]

Modo de introducción de letras mayúsculas/números:  
ABCDEFGHIJKLMNOPQRSTUVWXYZ0123456789

Modo de introducción de letras minúsculas/números:  
abcdefghijklmnopqrstuvwxyz0123456789

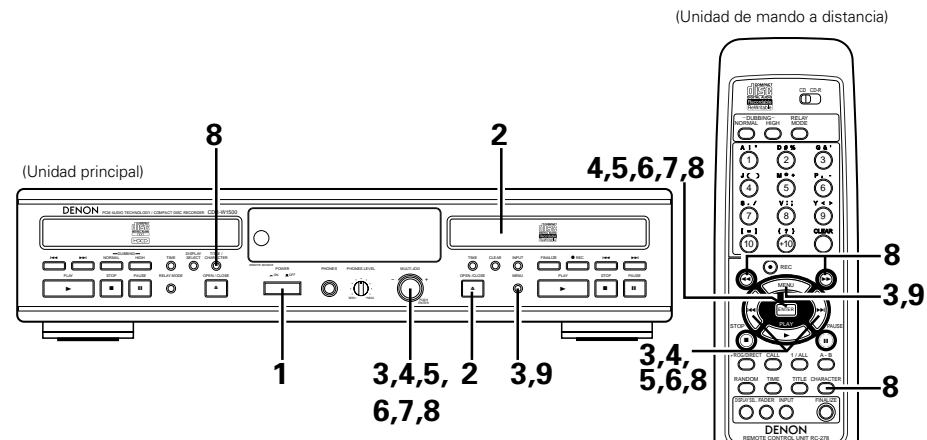
Modo de introducción de caracteres especiales:  
SPACE \_ ! " # \$ % & ' ( ) \* + , - . / : ; < = > ? @ [ \ ] ^ \_ ` { | } ~

- Cuando se pulsa el botón de búsqueda manual hacia adelante (▶▶) o el botón ENTER, se ajusta el carácter y la unidad se pone en el modo de espera de introducción para el siguiente carácter.
- El cursor puede moverse hacia atrás pulsando el botón de búsqueda manual hacia atrás (◀◀). Utilice esta posibilidad para corregir los caracteres introducidos.

**7** Pulse el botón MENU para realizar a la introducción de título.

- Para borrar un carácter, mueva el cursor al carácter y luego pulse el botón CLEAR.
- Para corregir un carácter, primero debe borrarlo y luego introducir el carácter correcto.

(2) Adición de títulos de pistas



- 1 Active la alimentación.
- 2 Cargue el CD-R/RW cuyo nombre de pista desee asignar.
- 3 Pulse el botón MENU, gire el disco de la unidad principal o pulse el botón de búsqueda automática de la unidad de mando a distancia, y seleccione el modo de edición de TEXTO.
  - A continuación se visualizará "Text Edit?".
- 4 Pulse el botón ENTER, gire el dial jog de la unidad principal o pulse el botón de búsqueda automática de la unidad de mando a distancia para visualizar "Text In?".
- 5 Ahora pulse el botón ENTER, gire el disco de la unidad principal o pulse el botón de búsqueda automática de la unidad de mando a distancia para visualizar "Track Title?".
- 6 Pulse el botón ENTER otra vez, gire el dial jog de la unidad de principal o pulse el botón de búsqueda automática del mando a distancia y seleccione la pista a la que desee asignar un nombre de pista.
  - A continuación se visualizará "\*\*Track Title?".
- 7 Pulse el botón ENTER.
  - A continuación parpadeará el cursor, indicando el modo de espera de entrada de título.
- 8 Introducción del título.
  - Para instrucciones sobre la introducción de títulos, consulte el paso 7 de "(1) Adición de títulos de discos" en las páginas 93.
- 9 Pulse el botón MENU para realizar a la introducción de título de pista.

NOTAS:

- La edición de texto no es posible con discos CD de audio comercial o con los discos CD-R/RW finalizados.
- Se pueden almacenar un máximo de 23 caracteres por ítem. Se pueden introducir unos 900 caracteres aproximadamente por disco.
- La información de texto introducida no se escribe en el disco hasta que éste haya sido finalizado.
- Aunque se desconecte la fuente de alimentación, la información de texto se almacenará durante 2 o 3 días después de su introducción cuando el disco no haya sido finalizado. Esta información de texto puede perderse si se desconecta la unidad de la fuente de alimentación durante un período de tiempo prolongado.

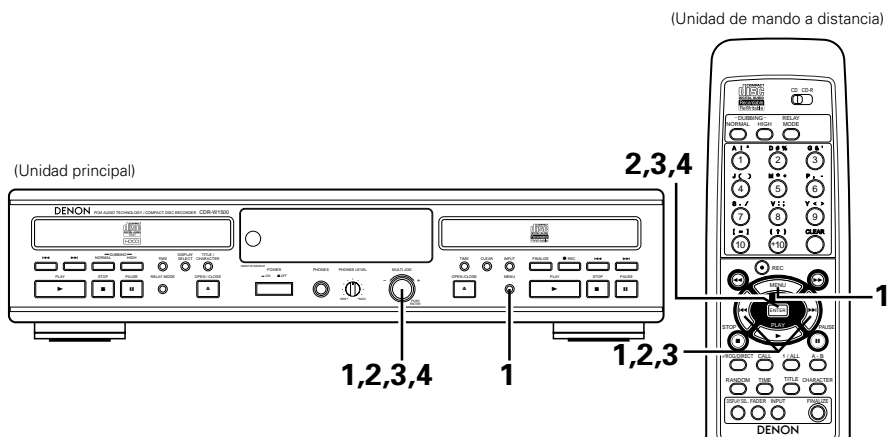
\* Gire el disco para introducir números o caracteres especiales no en las teclas de números ni en la tecla +10.

[Ejemplo:]  
Para introducir "%" utilizando teclas numéricas en la unidad de mando a distancia, pulse dos veces el botón 2 estando en el modo de caracteres especiales.

Botón	Modo de introducción de letras mayúsculas	Modo de introducción de letras minúsculas	Modo de introducción de caracteres especiales
1	ABC	abc	! "
2	DEF	def	# %
3	GHI	ghi	& '
4	JKL	jkl	( )
5	MNO	mno	* +
6	PQR	pqr	, -
7	STU	stu	. /
8	VWX	vwx	: ;
9	YZ	yz	< >
10	-	-	[ = ]
+10	-	-	{ ? }

**(3) Borrado de títulos de discos**

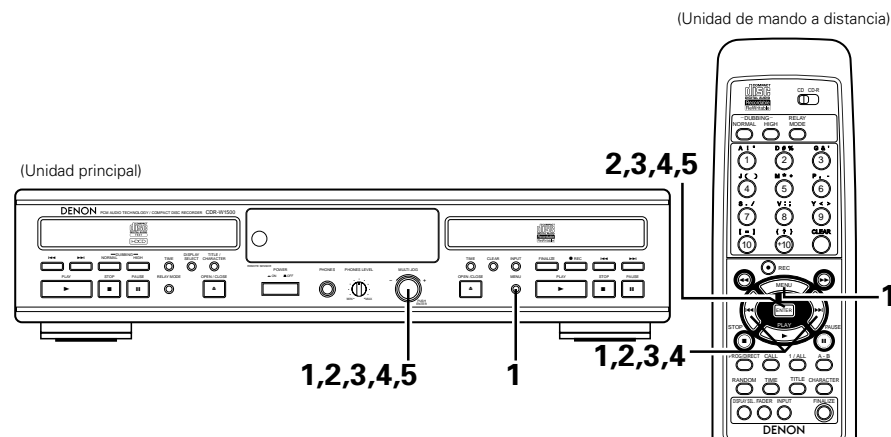
★ Para discos CD-RW finalizados, primero sin concluir.



<b>1</b>	<p>Pulse el botón MENU, gire el disco de la unidad principal o pulse el botón de búsqueda automática de la unidad de mando a distancia, y seleccione el modo de edición de TEXTO.</p> <ul style="list-style-type: none"> <li>• A continuación se visualizará "Text Edit?".</li> </ul>
<b>2</b>	<p>Pulse el botón ENTER, gire el dial jog de la unidad principal o pulse el botón de búsqueda automática de la unidad de mando a distancia para visualizar "Text Erase?".</p>
<b>3</b>	<p>Ahora pulse el botón ENTER, gire el disco de la unidad principal o pulse el botón de búsqueda automática de la unidad de mando a distancia para visualizar "Disc Title?".</p>
<b>4</b>	<p>Pulse el botón ENTER para definir el borrado del nombre del disco.</p> <ul style="list-style-type: none"> <li>• Se visualizará "Complete".</li> </ul>

**(4) Borrado de títulos de pistas**

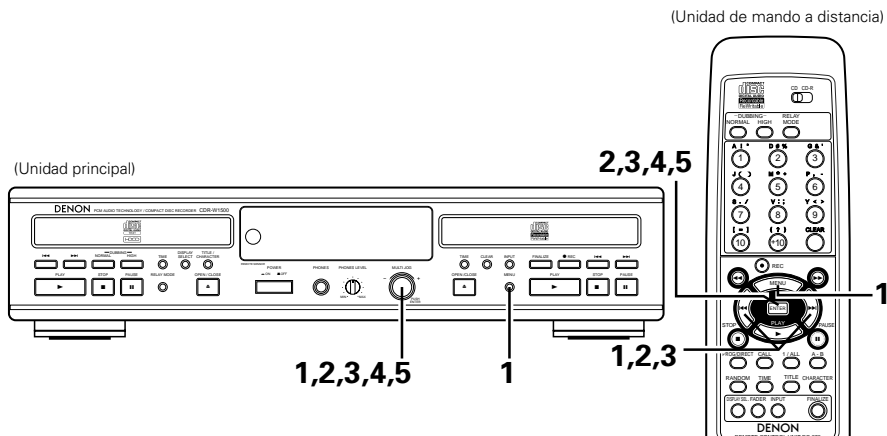
★ Para discos CD-RW finalizados, primero sin concluir.



<b>1</b>	<p>Pulse el botón MENU, gire el disco de la unidad principal o pulse el botón de búsqueda automática de la unidad de mando a distancia, y seleccione el modo de edición de TEXTO.</p> <ul style="list-style-type: none"> <li>• A continuación se visualizará "Text Edit?".</li> </ul>
<b>2</b>	<p>Pulse el botón ENTER, gire el dial jog de la unidad principal o pulse el botón de búsqueda automática de la unidad de mando a distancia para visualizar "Text Erase?".</p>
<b>3</b>	<p>Ahora pulse el botón ENTER, gire el disco de la unidad principal o pulse el botón de búsqueda automática de la unidad de mando a distancia para visualizar "Track Title?".</p>
<b>4</b>	<p>Pulse el botón ENTER otra vez, gire el dial jog de la unidad de principal o pulse el botón de búsqueda automática del mando a distancia y seleccione la pista cuyo nombre de pista vaya a borrar.</p> <ul style="list-style-type: none"> <li>• A continuación se visualizará "**Tr Title?".</li> </ul>
<b>5</b>	<p>Pulse el botón ENTER para definir el borrado del nombre del disco.</p> <ul style="list-style-type: none"> <li>• Se visualizará "Complete".</li> </ul>

**(5) Borrado de todos los títulos de pista y de todos los títulos de disco**

★ Para discos CD-RW finalizados, primero sin concluir.



<b>1</b>	Pulse el botón MENU, gire el disco de la unidad principal o pulse el botón de búsqueda automática de la unidad de mando a distancia, y seleccione el modo de edición de TEXTO. <ul style="list-style-type: none"> <li>• A continuación se visualizará "Text Edit?".</li> </ul>
<b>2</b>	Pulse el botón ENTER, gire el dial jog de la unidad principal o pulse el botón de búsqueda automática de la unidad de mando a distancia para visualizar "Text Erase?".
<b>3</b>	Ahora pulse el botón ENTER, gire el disco de la unidad principal o pulse el botón de búsqueda automática de la unidad de mando a distancia para visualizar "All Erase?".
<b>4</b>	Pulse el botón ENTER. <ul style="list-style-type: none"> <li>• A continuación se visualizará "Erase OK?".</li> </ul>
<b>5</b>	Pulse el botón ENTER para definir el borrado total. <ul style="list-style-type: none"> <li>• Se visualizará "Complete".</li> </ul>

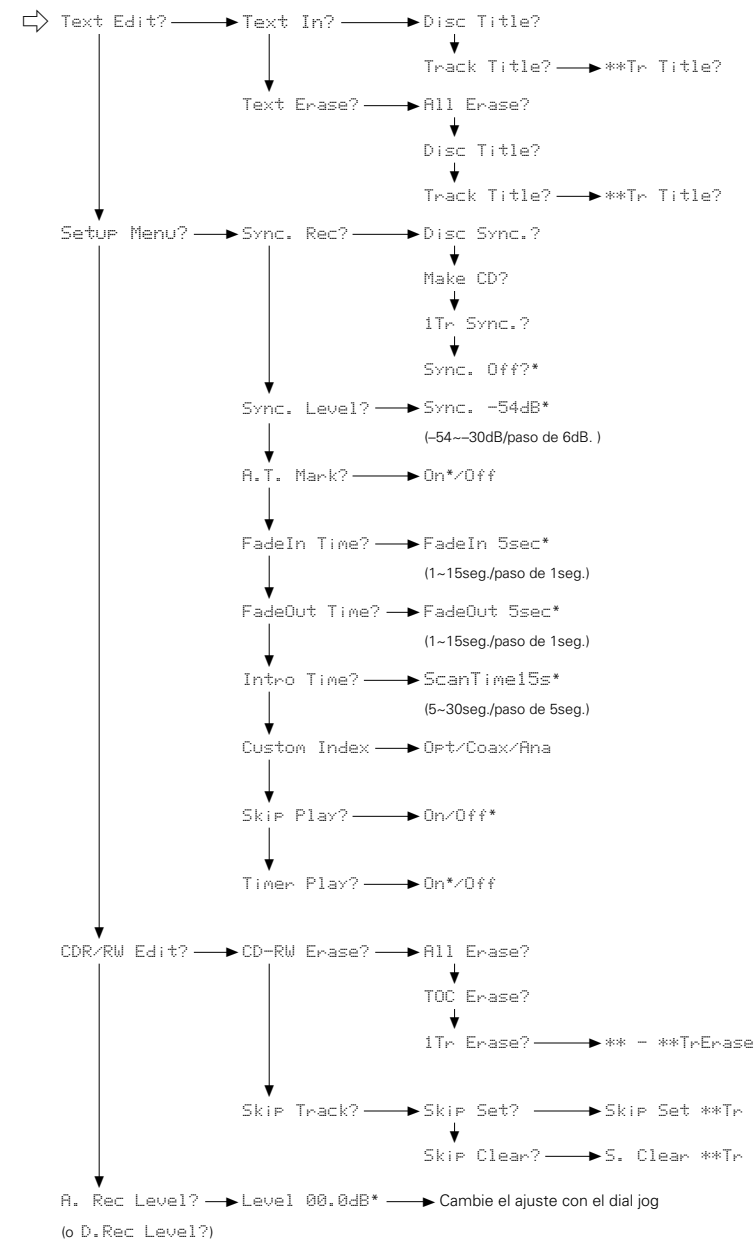
**NOTA:**

• El borrado de texto no es posible con discos CD de audio comercial o con los discos CD-R/RW finalizados.

**17 MODO DE MENÚ**

- Cuando se pulse el botón MENU, se ajustará el modo de menús y el equipo podrá manejarse tal como se indica en el diagrama siguiente.
- Cierre la bandeja portadiscos y ajuste el modo parada para la sección de CD y la sección de CD-R.
- "\*" indica los valores por defecto.
- "\*\*" indica los valores por defecto.
- Gire el disco en sentido de las manecillas del reloj para proceder a la visualización del indicador "↓". Pulse el botón ENTER para proceder a la visualización del indicador "→".

**MODO DE MENÚ**



Remítase a "2. Ediciones de texto (1) Adición de títulos de discos, (2) Adición de títulos de pistas" (página 92,93).

Remítase a "2. Ediciones de títulos de discos (4) Borrado de títulos de pistas (5) Borrado de todos los títulos de pista y de todos los títulos de disco" (página 94,95).

Remítase a "9. MÉTODO DE CONFIGURACIÓN" (página 72 ~ 75).

Remítase a "1. Edición de CD-R/RW" (página 90 ~ 92).

**18 MENSAJES**

Cuando se utiliza el CDR-W1500 pueden aparecer mensajes en la pantalla. El significado de estos mensajes se explica a continuación.

Mensaje	Significado
TOC Reading	Lectura de información del disco.
Open	Durante la apertura de la bandeja.
Close	Durante el cierre de la bandeja.
No Disc	No se ha insertado ningún disco, disco ilegible o disco insertado al revés.
Use Audio CD	El disco insertado no es un CD de audio.
Now PMA Rec	Actualización del contenido del disco.
Disc Full	No es posible seguir grabando.
Copy Prohibit	No se pueden realizar grabaciones digitales de la fuente conectada. (Véase "Copias digitales" en la página 68). Las señales de datos diferentes a las señales de radio han sido introducidas. Estas señales no están grabadas.
Finalize *.* **	Cuenta atrás durante la finalización de un disco.
PlaybackOnly	Al intentar grabar en un CD-R finalizado o en un CD pregrabado.
Now OPC	Durante la calibración de potencia del láser para discos cuya finalización ha sido anulada.
OPC Error	Fallo de OPC durante el procedimiento de calibración de potencia óptima (OPC). (OPC = Calibración de Potencia Óptima)
Rec Error	Se ha producido un error durante la grabación.
Disc Error	La grabación o la finalización no son posibles debido a un fallo del disco.
Blank Disc	Al intentar editar texto para un disco que no tiene ninguna pista.
No Name	No hay texto almacenado para el disco.

Mensaje	Significado
Sync. -**dB	Valor de ajuste del nivel de comienzo de grabación sincronizada.
Dig.Unlock	Hay una conexión incompleta del terminal de entrada digital durante la grabación de entrada digital, o la señal de entrada no llega correctamente debido a alguna otra razón.
Name Full	Ya se han introducido 23 caracteres de texto o un total de 900 caracteres.
Mecha Error	El disco no funciona correctamente.
All Skip Tr	Se ha ajustado el salto para todas las pistas.
Complete	La recepción de modo ha sido concluida.
TextEraseOK?	Si se extrae el disco se borrará toda la información de texto.
CD-R Short	El tiempo de grabación del disco es menor que el tiempo de la fuente de grabación que está intentando copiar.
Text Protect	La información de texto está protegida contra copia por lo que no se puede copiar el texto en el modo de copia.
Now Tr Check	Se está comprobando la información de pista del lado del CD.

("\*" indica una letra o un carácter).

## 19 SOLUCIÓN DE PROBLEMAS

### Vuelva a realizar las comprobaciones antes de dar por sentado que el reproductor tiene problemas de funcionamiento

- ¿Se han realizado correctamente todas las conexiones?
- ¿Ha seguido las instrucciones del manual?
- Funcionan correctamente el amplificador y los altavoces?

Si el CDR-W1500 parece que no funciona correctamente compruebe la lista siguiente. Si no se resuelve el problema, el CDR-W1500 puede estar dañado. Apague la alimentación, desenchufe el cable de alimentación de la toma de red, y póngase en contacto con la tienda donde haya realizado la compra o con la oficina de ventas de DENON.

Síntoma	Comprobación	Página
No hay alimentación	<ul style="list-style-type: none"> <li>• Fijese si está encendido el botón POWER.</li> <li>• Asegúrese de que el cable de alimentación está enchufado correctamente.</li> </ul>	70 69
La pista automática no funciona.	<ul style="list-style-type: none"> <li>• Compruebe si se ha seleccionado pista automática.</li> <li>• Compruebe si hay 3 segundos de silencio entre las pistas.</li> <li>• Compruebe si la fuente es una fuente de consumidor con entrada digital según la norma de audio IEC.</li> </ul>	73 68 -
No hay sonido.	<ul style="list-style-type: none"> <li>• Compruebe las conexiones de audio.</li> <li>• Si utiliza un amplificador, pruebe con una fuente diferente.</li> </ul>	69 69
El sonido del amplificador está distorsionado.	<ul style="list-style-type: none"> <li>• Compruebe que la entrada analógica del grabador de CD no esté conectada a la entrada de Fono del amplificador.</li> </ul>	69
La reproducción no da comienzo.	<ul style="list-style-type: none"> <li>• Asegúrese de que la etiqueta del CD queda hacia arriba.</li> <li>• Limpie el disco.</li> </ul>	72 68
El mando a distancia no funciona.	<ul style="list-style-type: none"> <li>• Dirija el mando a distancia directamente al grabador de CD.</li> <li>• Compruebe las pilas y cámbielas si fuera necesario.</li> </ul>	71 71
No grabará.	<ul style="list-style-type: none"> <li>• No grabará.</li> </ul>	67
	<ul style="list-style-type: none"> <li>• Compruebe si el CD-R es un disco con anulación de la finalización.</li> </ul>	-
	<ul style="list-style-type: none"> <li>• Compruebe que el disco es grabable y cámbielo si fuera necesario.</li> </ul>	67
	<ul style="list-style-type: none"> <li>• Compruebe si queda tiempo restante en el disco. (Se visualiza "Disc Full").</li> </ul>	69
	<ul style="list-style-type: none"> <li>• Compruebe si se está intentando grabar digitalmente una fuente ya grabada digitalmente. (Se visualiza "Copy Prohibit").</li> </ul>	68
La grabación está distorsionada.	<ul style="list-style-type: none"> <li>• Compruebe si el ajuste del nivel de grabación es adecuado.</li> </ul>	78
	<ul style="list-style-type: none"> <li>• El disco no es un disco de AUDIO (se visualiza "Use Audio CD").</li> </ul>	68
	<ul style="list-style-type: none"> <li>• Se ha elegido una fuente de entrada inadecuada. Parpadeo de la etiqueta de entrada.</li> </ul>	70
La grabación está distorsionada.	<ul style="list-style-type: none"> <li>• Asegúrese de que el nivel de grabación es el correcto.</li> </ul>	78
10 segundos de pausa entre las grabaciones.	<ul style="list-style-type: none"> <li>• Ver el ajuste del nivel de grabación sincronizado.</li> </ul>	73
"Disc Error" en la pantalla.	<ul style="list-style-type: none"> <li>• Si luego aparece "Disc Error" en la pantalla de visualización, el disco no puede grabarse más, y no se puede finalizar. Pero este puede todavía ser reproducido en el grabador de CD o en otro. "Disc Error"</li> </ul>	-
Un disco CD-R grabado no se puede reproducir en otro reproductor o unidad de CD.	<ul style="list-style-type: none"> <li>• Finalizar el disco.</li> </ul>	68, 89
	<ul style="list-style-type: none"> <li>• ¿Es posible la reproducción en otro reproductor de CD? Si es así, limpie la lente lectora del reproductor en el que no se pudo reproducir el disco.</li> </ul>	-
	<ul style="list-style-type: none"> <li>• Los discos CD-R no pueden ser reproducidos en algunos reproductores de CD.</li> </ul>	-
No es posible la copia, grabación, finalización y edición de CD-R/RW.	<ul style="list-style-type: none"> <li>• Está ajustado el modo relé en "RELAY" o "MIX"? Cambie a "SINGLE" o "DUAL".</li> </ul>	86
El modo menú no se puede ajustar. No es posible finalizar.	<ul style="list-style-type: none"> <li>• ¿Está abierta la bandeja portadiscos de la sección de CD o de la sección de CD-R? Cierre las bandejas portadiscos de ambas secciones.</li> </ul>	89, 95
	<ul style="list-style-type: none"> <li>• ¿Está funcionando la sección de CD o la sección de CD-R? Ajuste el modo parada para ambas secciones.</li> </ul>	89, 95

## 20 ESPECIFICACIONES PRINCIPALES

- Audio**

Unidad de CD	Unidad de CD-R (para edición digital)
<b>Respuesta de frecuencia:</b>	2 Hz a 20 kHz : 2 Hz a 20 kHz :
<b>Margen dinámico:</b>	98 dB : 88 dB :
<b>Relación S/R:</b>	105 dB : 100 dB :
<b>Distorsión armónica:</b>	0,003% (1 kHz) : 0,01% (1 kHz) :
<b>Trémolo y llo:</b>	por debajo de límites mensurables (±0,001% W. de pico)
- Discos compatibles:**
  - CDs (12 cm/8 cm)
  - Discos CD-R de audio grabados para uso doméstico (unidad de CD-R)
  - Discos CD-RW de audio grabados para uso doméstico (unidad de CD-R)
- General:**
  - Alimentación:** c.a. 120V, 60 Hz
  - Consumo de corriente:** 29 W
  - Dimensiones externas máximas:** 434 (ancho) x 101 (altura) x 330 (profundidad) mm (incluyendo las patas, los mandos y los terminales)
  - Masa:** 5,5 kg
- Unidad de mando a distancia:** RC-278
  - Sistema de mando a distancia:** Pulso infrarrojo
  - Alimentación:** c.c. 3V, por medio de dos pilas R6P(AA)

\* El diseño y las especificaciones están sujetas a cambios sin previo aviso durante el curso de mejora del producto.

**NIPPON COLUMBIA CO., LTD.**

14-14, AKASAKA 4-CHOME, MINATO-KU, TOKYO 107-8011, JAPAN  
Telephone: (03) 3584-8111

## Free Manuals Download Website

<http://myh66.com>

<http://usermanuals.us>

<http://www.somanuals.com>

<http://www.4manuals.cc>

<http://www.manual-lib.com>

<http://www.404manual.com>

<http://www.luxmanual.com>

<http://aubethermostatmanual.com>

Golf course search by state

<http://golfingnear.com>

Email search by domain

<http://emailbydomain.com>

Auto manuals search

<http://auto.somanuals.com>

TV manuals search

<http://tv.somanuals.com>