

DVP04PT-H2 Temperature Measurement Module

Instruction Sheet



Warning

- ✓ Please read this instruction sheet carefully before use.
- ✓ Switch off the power before wiring.
- ✓ DVP04PT-H2 is an OPEN-TYPE device and therefore should be installed in an enclosure free of airborne dust, humidity, electric shock and vibration. The enclosure should prevent non-maintenance staff from operating the device (e.g. key or specific tools are required to open the enclosure) in case danger and damages on the device may occur.
- ✓ DO NOT connect input AC power supply to any of the I/O terminals; otherwise serious damage may occur. Check all the wiring again before switching on the power.
- ✓ Do NOT touch any terminal when the power is switched on.
- ✓ Make sure the ground terminal (⊕) is correctly grounded in order to prevent electromagnetic interference.
- ✓ Use wires with resistance when connect the platinum resistance thermister (RTD) to PLC.
- ✓ Keep the wire as short as possible between RTD and PLC and the power wire as far away as possible from I/O wire to prevent interference.

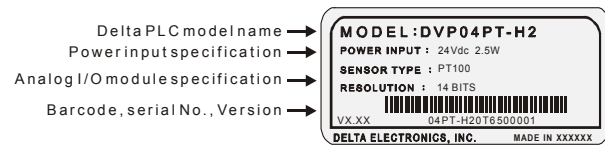
1 Introduction

1.1 Model Explanation & Peripherals

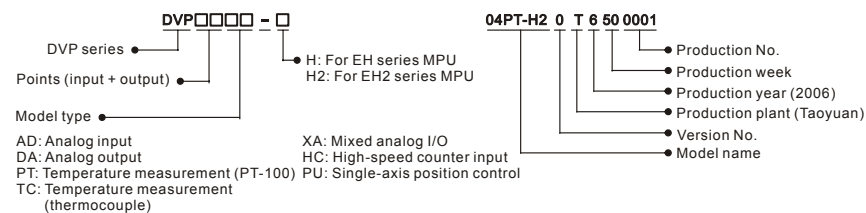
❖ Thank you for choosing Delta's DVP series. DVP04PT-H2 is able to receive 4 points of platinum temperature sensors (PT100 3-WIRE 100Ω 3850 PPM/°C (DIN 43760 JIS C1604-1989)) and convert them into 14-bit digital signals. Besides, through FROM/TO instructions in DVP-EH2 MPU program, DVP04PT-H2 is able to read and write the data in the module. There are 49 16-bit control registers (CR) in DVP04PT-H2.

❖ DVP04PT-H2 displays temperatures in Celsius (resolution: 0.1°C) and Fahrenheit (resolution: 0.18°F).

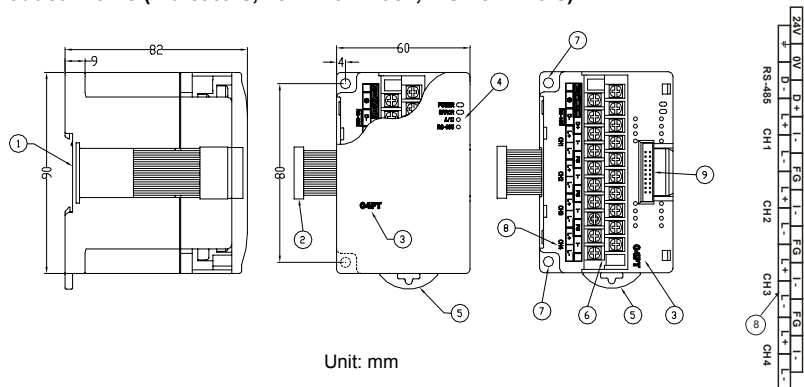
❖ Nameplate Explanation



❖ Model/Serial No. Explanation

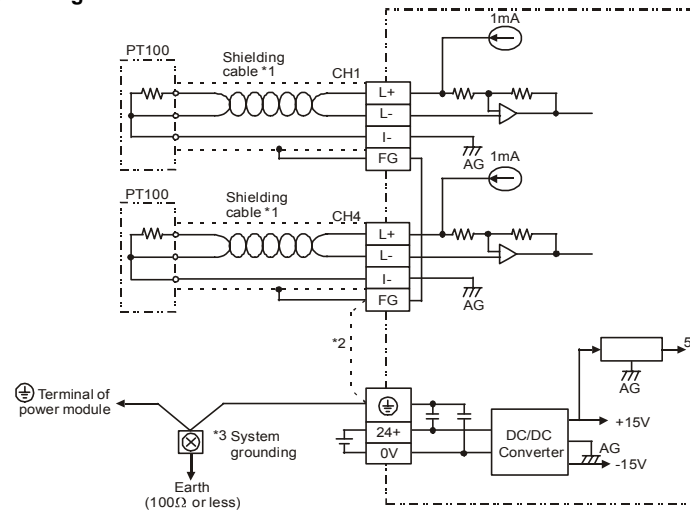


1.2 Product Profile (Indicators, Terminal Block, I/O Terminals)



- | | |
|---|---|
| ① DIN rail (35mm) | ⑥ Terminals |
| ② Connection port for extension unit/module | ⑦ Mounting hole |
| ③ Model name | ⑧ I/O terminals |
| ④ POWER, ERROR, A/D indicator | ⑨ Mounting port for extension unit/module |
| ⑤ DIN rail clip | |

1.3 External Wiring



- *1: Wiring for analog input should adopt cables of PT100 temperature sensor or double shielding cable and should be separated from other power cables that may cause interference. Please use 3 wires for PT100.
 - *2: Terminal FG is the ground location for noise suppression.
 - *3: Please connect the ⊕ terminal on both the power module and DVP04PT-H2 to the system earth point and ground the system contact or connect it to the cover of power distribution cabinet.
- Note: DO NOT wire empty terminal (⊖).

2 Specifications

2.1 Functions

Temperature measurement (04PT) module	Celsius (°C)	Fahrenheit (°F)
Power supply voltage	24 VDC (20.4VDC ~ 28.8VDC) (-15% ~ +20%)	
Analog output channel	4 channels/module	
Applicable sensor types	3-WIRE PT100Ω 3850 PPM/°C (DIN 43760 JIS C1604-1989)	
Current excitation	1mA	
Range of input temperature	-200 ~ 600	-328 ~ 1112
Range of digital conversion	K-2,000 ~ K6,000	K-3,280 ~ K11,120
Resolution	14 bits (0.1)	14 bits (0.18)
Output impedance	0.5Ω or less	
Overall accuracy	±0.5% when in full scale (25°C, 77°F) ±1% when in full scale within the range of 0 ~ 55°C, 32 ~ 131°F	
Response time	200 ms × the number of channels	
Isolation	Isolation between digital area and analog area. No isolation among channels.	
Digital data format	13 significant bits out of 16 bits are available; in 2's complement.	
Average function	Yes; available for setting up in CR#2 ~ CR#5; range: K1 ~ K20	
Self-diagnosis	Upper and lower bound detection/channel	
Protection	The voltage output is protected by short circuit. Please also be aware that being short circuit for too long period of time may cause damage on internal circuit. The current output can be open circuit.	
Communication mode (RS-485)	ASCII/RTU mode. Communication speed: 4,800/9,600/19,200/38,400/57,600 /115,200 bps ASCII data format: 7-bit, Even bit, 1 stop bit (7, E, 1) RTU data format: 8-bit, Even bit, 1 stop bit (8, E, 1) RS-485 cannot be used when connected to PLC MPU.	
When connected to DVP-PLC MPU in series	The modules are numbered from 0 to 7 automatically by their distance from MPU. No. 0 is the closest to MPU and No. 7 is the furthest. Maximum 8 modules are allowed to connect to MPU and will not occupy any digital I/O points.	

2.2 Others

Power Supply	
Max. rated power consumption	24 VDC (20.4VDC ~ 28.8VDC) (-15% ~ +20%), 2.5W supplied by external power
Environment	
Operation/storage	Operation: 0°C ~ 55°C (temperature); 50 ~ 95% (humidity); pollution degree 2 Storage: -40°C ~ 70°C (temperature); 5 ~ 95% (humidity)
Vibration/shock immunity	International standard: IEC1131-2, IEC 68-2-6 (TEST Fc)/IEC1131-2 & IEC 68-2-27 (TEST Ea)

3 Control Registers

DVP04PT-H2				Description																
CR #	RS-485 Parameter address	Latched	Register content	b15	b14	b13	b12	b11	b10	b9	b8	b7	b6	b5	b4	b3	b2	b1	b0	
#0	H'4064	○	R	Model name	Set up by the system. DVP04PT-H2 = H'6402															
#1				Reserved																
#2	H'4066	○	R/W	CH1 average time	Range of settings in CH1 ~ CH4: K1 ~ K20 Default = K10															
#3	H'4067	○	R/W	CH2 average time																
#4	H'4068	○	R/W	CH3 average time																
#5	H'4069	○	R/W	CH4 average time																
#6	H'406A	×	R	Average °C temp. measured at CH1	Average Celsius temperature measured at CH1 ~ CH4. Unit: 0.1°C															
#7	H'406B	×	R	Average °C temp. measured at CH2																
#8	H'406C	×	R	Average °C temp. measured at CH3																
#9	H'406D	×	R	Average °C temp. measured at CH4																
#10 ~ #11				Reserved																
#12	H'4070	×	R	Average °F temp. measured at CH1	Average Fahrenheit temperature measured at CH1 ~ CH4. Unit: 0.1°F															
#13	H'4071	×	R	Average °F temp. measured at CH2																
#14	H'4072	×	R	Average °F temp. measured at CH3																
#15	H'4073	×	R	Average °F temp. measured at CH4																
#16 ~ #17				Reserved																
#18	H'4076	×	R	Present °C temp. measured at CH1	Present Celsius temperature measured at CH1 ~ CH4. Unit: 0.1°C															
#19	H'4077	×	R	Present °C temp. measured at CH2																
#20	H'4078	×	R	Present °C temp. measured at CH3																
#21	H'4079	×	R	Present °C temp. measured at CH4																
#22 ~ #23				Reserved																
#24	H'407C	×	R	Present °F temp. measured at CH1	Present Fahrenheit temperature measured at CH1 ~ CH4. Unit: 0.1°F															
#25	H'407D	×	R	Present °F temp. measured at CH2																
#26	H'407E	×	R	Present °F temp. measured at CH3																
#27	H'407F	×	R	Present °F temp. measured at CH4																
#28 ~ #29				Reserved																
#30	H'4082	×	R	Error status	Register for storing all error status. See the table of error status for more information.															
#31	H'4083	○	R/W	Communication address setting	For setting RS-485 communication address. Range: 01 ~ 255 Default = K1															
#32	H'4084	○	R/W	Communication speed (Baud Rate) setting	For setting up communication speed: 4,800/9,600/19,200/38,400/57,600/115,200 bps ASCII data format: 7-bit, Even bit, 1 stop bit (7, E, 1) RTU data format: 8-bit, Even bit, 1 stop bit (8, E, 1) Default = H'0002 b0: 4,800 bps b1: 9,600 bps (default) b2: 19,200 bps b3: 38,400 bps b4: 57,600 bps b5: 115,200 bps b6 ~ b13: reserved b14: High/low bit exchange of CRC checksum (only valid in RTU mode) b15: Switch between ASCII/RTU modes; 0 = ASCII mode (default)															
#33	H'4085	○	R/W	Returning to default setting	b15	b14	b13	b12	b11	b10	b9	b8	b7	b6	b5	b4	b3	b2	b1	b0
					ERR LED	CH4	CH3	CH2	CH1											
					Take the setting of CH1 for example: 1. b0 is reserved. 2. b1 is reserved. 3. When b2 is set as 1, all the settings will return to default settings. ERR LED definition: default of b12 ~ b15 = 1111 1. b12 corresponds to CH1. When b12 = 1 or the scale exceeds the range, ERR LED will flash. 2. b13 corresponds to CH2. When b13 = 1 or the scale exceeds the range, ERR LED will flash. 3. b14 corresponds to CH3. When b14 = 1 or the scale exceeds the range, ERR LED will flash. 4. b15 corresponds to CH4. When b15 = 1 or the scale exceeds the range, ERR LED will flash.															
#34	H'4086	○	R	Firmware version	Displaying the current firmware version in hex; e.g. version 1.0A is indicated as H'010A															
#35 ~ #48				For system use																

Symbols

- : latched (when written in through RS-485 communication)
- ×: non-latched
- R: Able to read data by FROM instruction or RS-485 communication
- W: Able to write data by TO instruction or RS-485 communication

Explanations:

- CR#0: Model name. The user can read the model name from the program and see if the extension module exists.

- CR#1, CR#10, CR#11, CR#16, CR#17, CR#22, CR#23, CR#28 and CR#29 are reserved.
- CR#2 ~ CR#5: The times to average the temperatures measured at CH1 ~ CH4. Range: K1 ~ K20. Default = K10. Please note that the average times set in CR#2 ~ CR#5 need to be written in only once.
- CR#6 ~ CR#9: The average Celsius temperature measured at CH1 ~ CH4 obtained from the average time settings in CR#2 ~ CR#5. For example, if the average time is set as 10, the content in CR#6 ~ CR#9 will be the average of the most recent 10 temperature signals in Celsius at CH1 ~ CH4.
- CR#12 ~ CR#15: The average Fahrenheit temperature measured at CH1 ~ CH4 obtained from the average time settings in CR#2 ~ CR#5. For example, if the average time is set as 10, the content in CR#12 ~ CR#15 will be the average of the most recent 10 temperature signals in Fahrenheit at CH1 ~ CH4.
- CR #18 ~ CR #21: Displaying the present temperature in Celsius at CH1 ~ CH4
- CR #24 ~ CR #27: Displaying the present temperature in Fahrenheit at CH1 ~ CH4
- CR #30: Error status (see the table below):

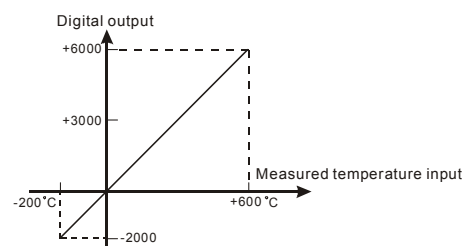
Error status	Content	b15 ~ b8	b7	b6	b5	b4	b3	b2	b1	b0
Abnormal power supply	K1(H'1)	reserved	0	0	0	0	0	0	0	1
Scale exceeds the range or wiring to empty external contact	K2(H'2)		0	0	0	0	0	0	1	0
Incorrect mode setting	K4(H'4)		0	0	0	0	0	1	0	0
OFFSET/GAIN error	K8(H'8)		0	0	0	0	1	0	0	0
Hardware malfunction	K16(H'10)		0	0	0	1	0	0	0	0
Abnormal digital range	K32(H'20)		0	0	1	0	0	0	0	0
Incorrect average times setting	K64(H'40)		0	1	0	0	0	0	0	0
Instruction error	K128(H'80)		1	0	0	0	0	0	0	0

Note: Each error status is determined by the corresponding bit (b0 ~ b7) and there may be more than 2 errors occurring at the same time.
0 = normal; 1 = error

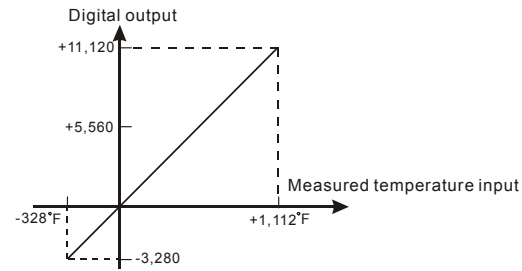
- CR#31: The setting of RS-485 communication address. Range: 01 ~ 255. Default = K1.
- CR#32: The setting of RS-485 communication speed. b0: 4,800bps; b1: 9,600bps (default); b2: 19,200bps; b3: 38,400bps; b4: 57,600bps; b5: 115,200bps; b6 ~ b13: reserved; b14: high/low bit exchange of CRC checksum (only valid in RTU mode); b15: switching between ASCII mode and RTU mode.
- CR#33: b0 ~ b11: For returning the CR settings to default settings.
b12 ~ b15: ERR LED definition. Default: b12 ~ b15 = 1111.
- CR#34: Firmware version of the model.
- CR#35 ~ CR#48: Parameters for system use.
- CR#0 ~ CR#34: The corresponding parameter address H'4064 ~ H'4086 are for users to read/write data by RS-485 communication. When using RS-485, the user has to separate the module with MPU first.
 - Communication baud rate: 4,800/9,600/19,200/38,400/57,600/115,200 bps.
 - Modbus ASCII/RTU communication protocol: ASCII data format (7-bit, Even bit, 1 stop bit (7, E, 1)); RTU data format (8-bit, Even bit, 1 stop bit (8, E, 1)).
 - Function: H'03 (read register data); H'06 (write 1 word datum into register); H'10 (write many word data into register).
 - Latched CR should be written by RS-485 communication to stay latched. CR will not be latched if written by MPU through TO/DTO instruction.

4 Temperature/Digital Curve

Celsius temperature measurement mode



Fahrenheit temperature measurement mode

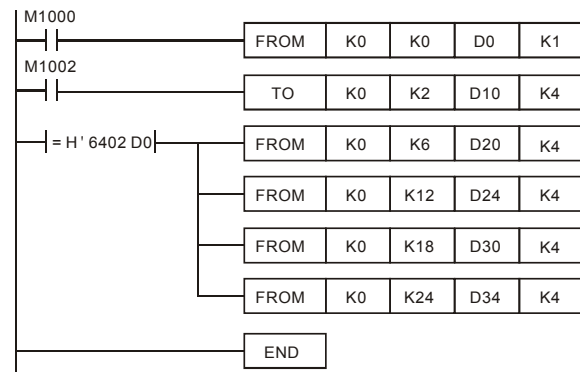


5 Trial Operation & Troubleshooting

LED Display

- When the module is powered for the first time, POWER LED will be on and ERROR LED will be on for 0.5 second. After this, A/D LED will start to flash.
- When the power supply is normal, POWER LED will be on and ERROR LED should be off. When the power supply is less than 19.5V, ERROR LED will keep being on until the power supply goes higher than 19.5V.
- When series connected with PLC MPU, the RUN LED on the MPU will be on and A/D LED will flash.
- When controlled by RS485, RS-485 LED on the module will flash after receiving the RS-485 instruction.
- When the input or output value exceeds the upper bound or falls below the lower bound after conversion, ERROR LED will flash.

Program Example



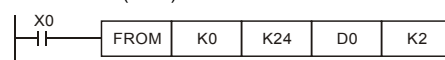
- Read the model name from K0 and see if it is DVP04PT-H2: H'6402
- Set the average times in CH1 ~ CH4 as D10 ~ D13.
- If D0 = H'6402, read the average temperature (°C) measured in CH1 ~ CH4 from CR#6 ~ CR#9 and store the 4 data in D20 ~ D23.
- Read the average temperature (°F) measured in CH1 ~ CH4 from CR#12 ~ CR#15 and store the 4 data in D24 ~ D27.
- Read the average temperature (°C) measured in CH1 ~ CH4 from CR#18 ~ CR#21 and store the 4 data in D30 ~ D33.
- Read the average temperature (°F) measured in CH1 ~ CH4 from CR#24 ~ CR#27 and store the 4 data in D34 ~ D37.

6 Relevant Instructions

API	D	FROM	P	(m1)	(m2)	(D)	(n)	Read CR data in special modules
78								

- (m1)**: No. of special module (m1 = 0 ~ 7) **(m2)**: CR# in special module to be read
(D): Device for storing read data **(n)**: Number of data to be read at a time

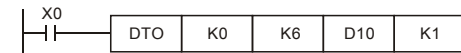
Read CR#24 of special module No. 0 into D0 and CR#25 into D1. Only 2 groups of data are read at a time (n = 2).



API	D	TO	P	(m1)	(m2)	(S)	(n)	Write CR data into special module
79								

- (m1)**: No. of special module (m1 = 0 ~ 7) **(m2)**: CR# in special module to be written
(S): Data to be written into CR **(n)**: Number of data to be written at a time

Use 32-bit instruction DTO to write the content in D11 and D10 into CR#7 and CR#6 of special module No. 0. Only 1 group of data is written in at a time (n = 1).

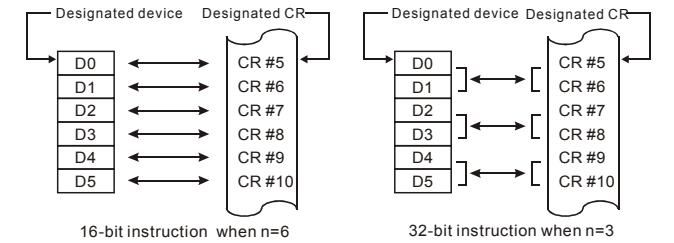


Operand rules

- (m1)**: The No. of special modules connected to PLC MPU. No. 0 is the module closest to the MPU. Maximum 8 modules are allowed to be connected to a PLC MPU and they will not occupy any I/O points.
- (m2)**: CR#. CR (control register) is the 49 16-bit memories built in the special module, numbered in decimal as #0 ~ #48. All operation status and settings of the special module are contained in the CR.
- FROM/TO instruction is for reading/writing 1 CR at a time. DFROM/DTO instruction is for reading/writing 2 CRs at a time.



- Number of groups "n" to be transmitted: n = 2 in 16-bit instructions and n = 1 in 32-bit instructions mean the same.



Remarks

M1083 for switching instruction modes in EH2 series models

- When M1083 = Off, during the execution of FROM/TO instruction, all external or internal interruption subroutines will be forbidden. The interruptions are allowed only after FROM/TO instruction finishes its execution. FROM/TO instruction can also be used in an interruption subroutine.
- When M1083 = On and an interruption signal occurs during the execution of FROM/TO instruction, the interruption will be processed first (with a 100us delay) and the execution of FROM/TO will be stopped. After the interruption subroutine finishes its execution, the program will jump to the next instruction of FROM/TO. FROM/TO cannot be used in an interruption subroutine.

Free Manuals Download Website

<http://myh66.com>

<http://usermanuals.us>

<http://www.somanuals.com>

<http://www.4manuals.cc>

<http://www.manual-lib.com>

<http://www.404manual.com>

<http://www.luxmanual.com>

<http://aubethermostatmanual.com>

Golf course search by state

<http://golfingnear.com>

Email search by domain

<http://emailbydomain.com>

Auto manuals search

<http://auto.somanuals.com>

TV manuals search

<http://tv.somanuals.com>