

Dell™ OptiPlex™ 745

Quick Reference Guide

Models DCTR, DCNE, DCSM, and DCCY

www.dell.com | support.dell.com

Download from Www.Somanuals.com. All Manuals Search And Download.

Notes, Notices, and Cautions



NOTE: A NOTE indicates important information that helps you make better use of your computer.



NOTICE: A NOTICE indicates potential damage to hardware or loss of data and tells you how to avoid the problem.



CAUTION: A CAUTION indicates a potential for property damage, personal injury, or death.

If you purchased a Dell™ n Series computer, any references in this document to Microsoft® Windows® operating systems are not applicable.

Information in this document is subject to change without notice.

© 2006 Dell Inc. All rights reserved.

Reproduction in any manner whatsoever without the written permission of Dell Inc. is strictly forbidden.

Trademarks used in this text: *Dell*, the *DELL* logo, *Inspiron*, *Dell Precision*, *Dimension*, *OptiPlex*, *Latitude*, *PowerEdge*, *PowerVault*, *PowerApp*, and *Dell OpenManage* are trademarks of Dell Inc.; *Intel*, *Pentium*, and *Celeron* are registered trademarks of Intel Corporation; *Microsoft* and *Windows* are registered trademarks of Microsoft Corporation.

Other trademarks and trade names may be used in this document to refer to either the entities claiming the marks and names or their products. Dell Inc. disclaims any proprietary interest in trademarks and trade names other than its own.

Models DCTR, DCNE, DCSM, and DCCY

August 2006

P/N JH476


Rev. A00

Contents


Finding Information	5
System Views	8
Mini Tower Computer — Front View	8
Mini Tower Computer — Back View	10
Mini Tower Computer — Back-Panel Connectors	11
Desktop Computer — Front View.	13
Desktop Computer — Back View.	14
Desktop Computer — Back-Panel Connectors	15
Small Form Factor Computer — Front View	17
Small Form Factor Computer — Back View	18
Small Form Factor Computer — Back-Panel Connectors	19
Ultra-Small Form Factor Computer — Front View	21
Ultra-Small Form Factor Computer — Side View.	22
Ultra-Small Form Factor Computer — Back View	23
Ultra-Small Form Factor Computer — Back-Panel Connectors	23
Removing the Computer Cover.	24
Before You Begin	25
Mini Tower Computer.	26
Desktop Computer	27
Small Form Factor Computer	28
Ultra-Small Form Factor Computer	30
Inside Your Computer	32
Mini Tower Computer.	32
Desktop Computer	35
Small Form Factor Computer	38
Ultra-Small Form Factor Computer	41
Setting Up Your Computer	43
Set Up Your Keyboard and Mouse	45
Set Up Your Monitor	45
Power Connections.	46
Solving Problems	46
Dell Diagnostics.	46
System Lights	49

Diagnostic Lights	50
Beep Codes	52
Resolving Software and Hardware Incompatibilities	53
Using Microsoft Windows XP System Restore	54
Reinstalling Microsoft Windows XP	55
Using the Drivers and Utilities CD	58
Drivers for Your Computer	58
Index	59

Finding Information

 **NOTE:** Some features or media may be optional and may not ship with your computer. Some features or media may not be available in certain countries.

 **NOTE:** Additional information may ship with your computer.

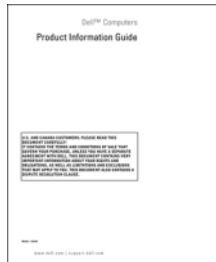
What Are You Looking For?	Find It Here
<ul style="list-style-type: none"> • A diagnostic program for my computer • Drivers for my computer • My computer documentation • My device documentation • Desktop System Software (DSS) 	<p>Drivers and Utilities CD (ResourceCD)</p> <p>NOTE: The <i>Drivers and Utilities</i> CD may be optional and may not ship with your computer.</p> <p>Documentation and drivers are already installed on your computer. You can use the CD to reinstall drivers (see "Using the Drivers and Utilities CD" on page 58), run the Dell Diagnostics (see "Dell Diagnostics" on page 46), or access your documentation.</p> <div style="display: flex; align-items: center; justify-content: center;">  <div style="margin-left: 20px;"> <p>Readme files may be included on your CD to provide last-minute updates about technical changes to your computer or advanced technical reference material for technicians or experienced users.</p> </div> </div> <p>NOTE: Drivers and documentation updates can be found at support.dell.com.</p>
<ul style="list-style-type: none"> • How to remove and replace parts • Specifications • How to configure system settings • How to troubleshoot and solve problems 	<p>Dell™ OptiPlex™ User's Guide</p> <p><i>Microsoft Windows XP Help and Support Center</i></p> <ol style="list-style-type: none"> 1 Click Start→ Help and Support→ Dell User and System Guides→ System Guides. 2 Click the <i>User's Guide</i> for your computer. <p>The <i>User's Guide</i> is also available on the optional <i>Drivers and Utilities</i> CD.</p>

What Are You Looking For?

- Warranty information
- Terms and Conditions (U.S. only)
- Safety instructions
- Regulatory information
- Ergonomics information
- End User License Agreement

Find It Here

Dell™ Product Information Guide



-
- How to reinstall my operating system

Operating System CD

NOTE: The *Operating System* CD may be optional and may not ship with your computer.

The operating system is already installed on your computer. To reinstall your operating system, use the *Operating System* CD (see "Reinstalling Microsoft Windows XP" on page 55).



After you reinstall your operating system, use the optional *Drivers and Utilities* CD (*ResourceCD*) to reinstall drivers for the devices that came with your computer. For more information, see

"Drivers and Utilities CD (*ResourceCD*)" on page 5.

Your operating system product key label is located on your computer (see "Service Tag and Microsoft® Windows® Product Key" on page 7).

NOTE: The color of your *Operating System* CD varies according to the operating system you ordered.

-
- How to use Windows XP
 - How to work with programs and files
 - How to personalize my desktop

Windows Help and Support Center

- 1 Click **Start** → **Help and Support**.
- 2 Type a word or phrase that describes your problem and click the arrow icon.
- 3 Click the topic that describes your problem.
- 4 Follow the instructions on the screen.

What Are You Looking For?

- Service Tag and Express Service Code
- Microsoft Windows Product Key Label
- Solutions — Troubleshooting hints and tips, articles from technicians, online courses, and frequently asked questions
- Community — Online discussion with other Dell customers
- Upgrades — Upgrade information for components, such as the memory, hard drive, and operating system
- Customer Care — Contact information, service call and order status, and warranty and repair information
- Service and support — Service call status, support history, service contract, and online discussions with support
- Reference — Computer documentation, details on my computer configuration, product specifications, and white papers
- Downloads — Certified drivers, patches, and software updates
- Desktop System Software (DSS)— If you reinstall the operating system on your computer, you should also reinstall the DSS utility. DSS automatically detects your computer and operating system and installs the updates appropriate for your configuration, providing critical updates for your operating system and support for Dell™ 3.5-inch USB floppy drives, Intel® processors, optical drives, and USB devices. DSS is necessary for correct operation of your Dell computer.

Find It Here

Service Tag and Microsoft® Windows® Product Key

These labels are located on your computer.

- Use the Service Tag to identify your computer when you use support.dell.com or contact support.



- Enter the Express Service Code to direct your call when contacting support.

Dell Support Website — support.dell.com

NOTE: Select your region or business segment to view the appropriate support site.

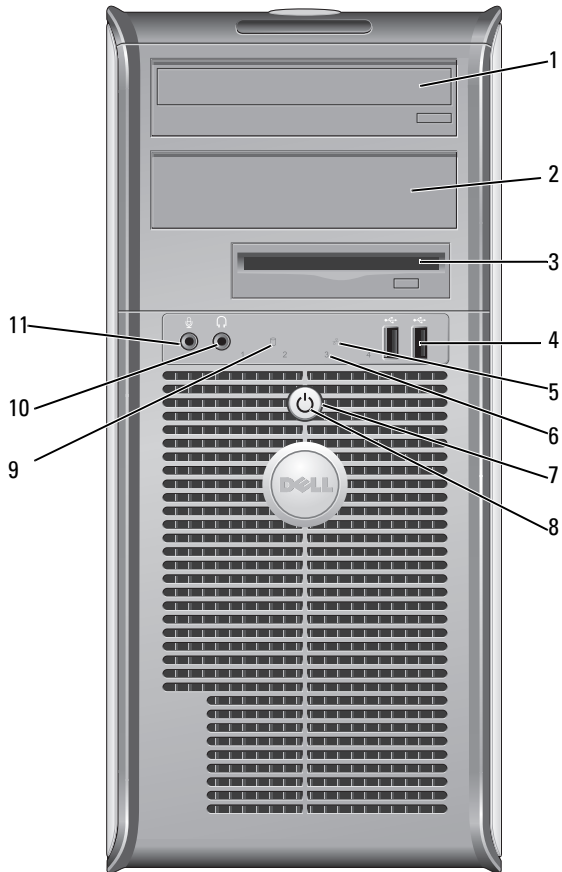
To download Desktop System Software:

- 1** Go to support.dell.com, select your region or business segment, then enter your Service Tag.
- 2** Select **Drivers & Downloads**, then click **Go**.
- 3** Click your operating system, and then search for the keyword *Desktop System Software*.

NOTE: The support.dell.com user interface may vary depending on your selections.


System Views


Mini Tower Computer — Front View



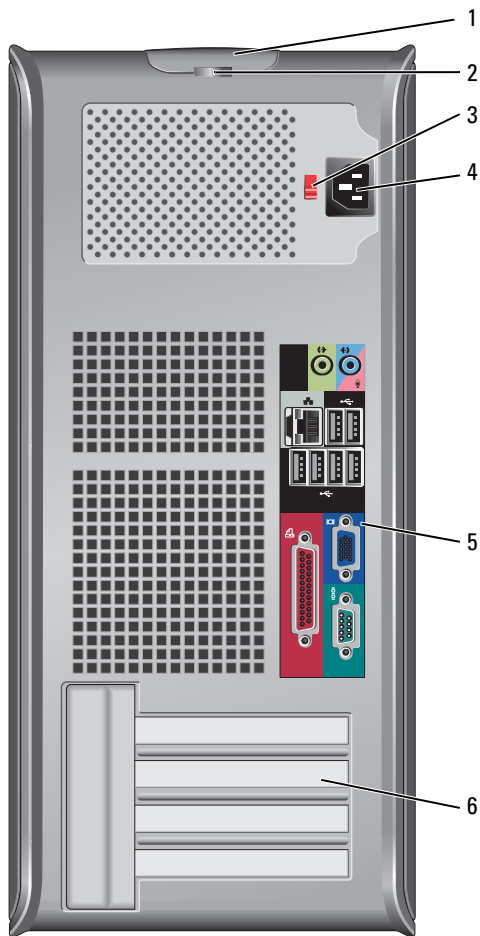
- | | | |
|----|---------------------------|--|
| 1 | 5.25-inch drive bay | Can contain an optical drive. Insert a CD or DVD (if supported) into this drive. |
| 2 | 5.25-inch drive bay | Can contain an optical drive. Insert a CD or DVD (if supported) into this drive. |
| 3 | 3.5-inch drive bay | Can contain an optional floppy drive or optional media card reader. |
| 4 | USB 2.0 connectors (2) | Use the front USB connectors for devices that you connect occasionally, such as joysticks or cameras, or for bootable USB devices (see your online <i>User's Guide</i> for more information on booting to a USB device).

It is recommended that you use the back USB connectors for devices that typically remain connected, such as printers and keyboards. |
| 5 | LAN indicator light | This light indicates that a LAN (local area network) connection is established. |
| 6 | diagnostic lights | Use the lights to help you troubleshoot a computer problem based on the diagnostic code. For more information, see "Diagnostic Lights" on page 50. |
| 7 | power button | Press this button to turn on the computer.

 NOTICE: To avoid losing data, do not turn off the computer by pressing the power button. Instead, perform an operating system shutdown. See "Before You Begin" on page 25 for more information.

 NOTICE: If your operating system has ACPI enabled, when you press the power button the computer will perform an operating system shutdown. |
| 8 | power light | The power light illuminates and blinks or remains solid to indicate different operating modes: <ul style="list-style-type: none"> • No light — The computer is turned off. • Steady green — The computer is in a normal operating state. • Blinking green — The computer is in a power-saving mode. • Blinking or solid amber — See your online <i>User's Guide</i>. <p>To exit from a power-saving mode, press the power button or use the keyboard or the mouse if it is configured as a wake device in the Windows Device Manager. For more information about sleep modes and exiting from a power-saving mode, see your online <i>User's Guide</i>.</p> <p>See "System Lights" on page 49 for a description of light codes that can help you troubleshoot problems with your computer.</p> |
| 9 | hard-drive activity light | This light flickers when the hard drive is being accessed. |
| 10 | headphone connector | Use the headphone connector to attach headphones and most kinds of speakers. |
| 11 | microphone connector | Use the microphone connector to attach a microphone. |

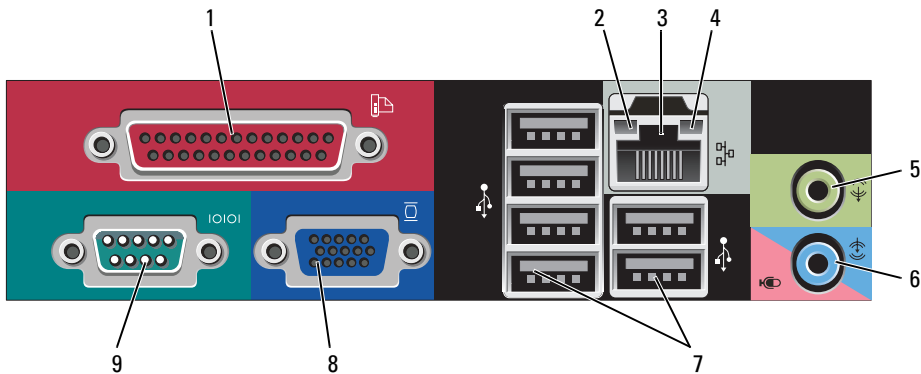
Mini Tower Computer — Back View



- 1 cover-release latch This latch allows you to open the computer cover.
- 2 padlock ring Insert a padlock to lock the computer cover.

- 3 voltage selection switch Your computer is equipped with a manual voltage-selection switch. To help avoid damaging a computer with a manual voltage-selection switch, set the switch for the voltage that most closely matches the AC power available in your location.
- ➡ NOTICE:** The voltage selection switch must be set to the 115-V position even though the AC power available in Japan is 100 V.
- Also, ensure that your monitor and attached devices are electrically rated to operate with the AC power available in your location.
- 4 power connector Insert the power cable.
- 5 back-panel connectors Plug serial, USB, and other devices into the appropriate connectors (see "Mini Tower Computer — Back-Panel Connectors" on page 11).
- 6 card slots Access connectors for any installed PCI and PCI Express cards.

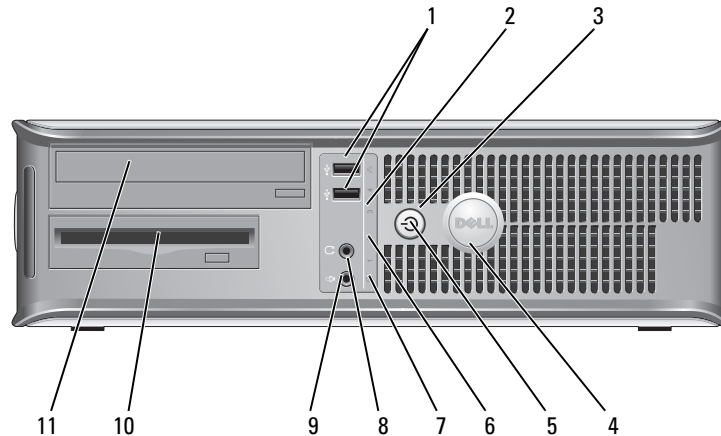
Mini Tower Computer — Back-Panel Connectors



- 1 parallel connector Connect a parallel device, such as a printer, to the parallel connector. If you have a USB printer, plug it into a USB connector.
- NOTE:** The integrated parallel connector is automatically disabled if the computer detects an installed card containing a parallel connector configured to the same address. For more information, see your online User's Guide.
- 2 link integrity light
- Green — A good connection exists between a 10-Mbps network and the computer.
 - Orange — A good connection exists between a 100-Mbps network and the computer.
 - Yellow — A good connection exists between a 1-Gbps (or 1000-Mbps) network and the computer.
 - Off — The computer is not detecting a physical connection to the network.

- | | | |
|---|------------------------------|---|
| 3 | network adapter connector | <p>To attach your computer to a network or broadband device, connect one end of a network cable to either a network jack or your network or broadband device. Connect the other end of the network cable to the network adapter connector on the back panel of your computer. A click indicates that the network cable has been securely attached.</p> <p>NOTE: Do not plug a telephone cable into the network connector.</p> <p>On computers with a network connector card, use the connector on the card.</p> <p>It is recommended that you use Category 5 wiring and connectors for your network. If you must use Category 3 wiring, force the network speed to 10 Mbps to ensure reliable operation.</p> |
| 4 | network activity light | Flashes a yellow light when the computer is transmitting or receiving network data. A high volume of network traffic may make this light appear to be in a steady "on" state. |
| 5 | line-out connector | Use the green line-out connector to attach most speakers with integrated amplifiers. |
| 6 | line-in/microphone connector | Use the blue and pink line-in/microphone connector to attach a record/playback device such as a cassette player, CD player, or VCR.; or a personal computer microphone for voice or musical input into a sound or telephony program. |
| 7 | USB 2.0 connectors (6) | Use the back USB connectors for devices that typically remain connected, such as printers and keyboards. |
| 8 | video connector | <p>Plug the cable from your VGA-compatible monitor into the blue connector.</p> <p>NOTE: If you purchased an optional graphics card, this connector will be covered by a cap. Connect your monitor to the connector on the graphics card. Do not remove the cap.</p> <p>NOTE: If you are using a graphics card that supports dual monitors, use the y-cable that came with your computer.</p> |
| 9 | serial connector | <p>Connect a serial device, such as a handheld device, to the serial port. The default designations are COM1 for serial connector 1 and COM2 for serial connector 2.</p> <p>For more information, see your online <i>User's Guide</i>.</p> |

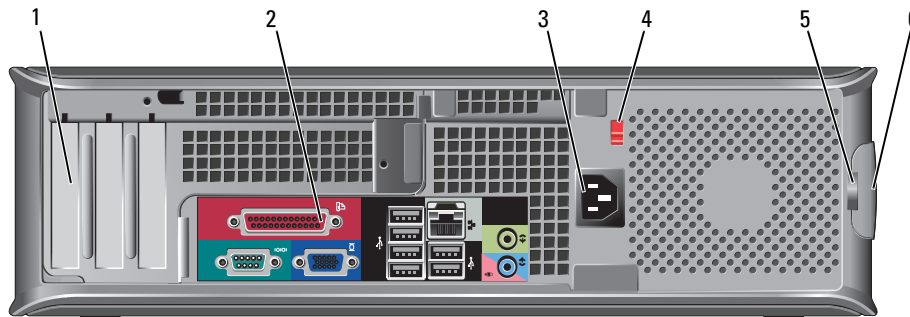
Desktop Computer — Front View



- 1 USB 2.0 connectors (2) Use the front USB connectors for devices that you connect occasionally, such as joysticks or cameras, or for bootable USB devices (see your online *User's Guide* for more information about booting to a USB device).
It is recommended that you use the back USB connectors for devices that typically remain connected, such as printers and keyboards.
- 2 LAN indicator light This light indicates that a LAN (local area network) connection is established.
- 3 power button Press this button to turn on the computer.
➡ NOTICE: To avoid losing data, do not turn off the computer by pressing the power button. Instead, perform an operating system shutdown. See "Before You Begin" on page 25 for more information.
➡ NOTICE: If your operating system has ACPI enabled, when you press the power button the computer will perform an operating system shutdown.
- 4 Dell badge This badge can be rotated to match the orientation of your computer. To rotate, place fingers around the outside of the badge, press firmly, and turn the badge. You can also rotate the badge using the slot provided near the bottom of the badge.

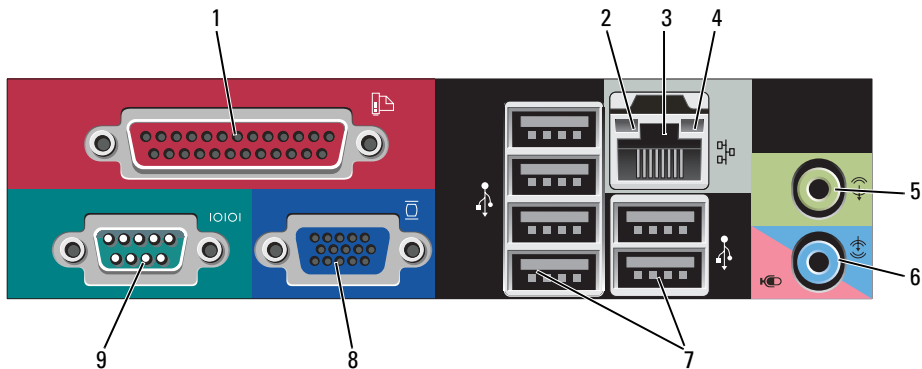
- | | | |
|----|---------------------------|--|
| 5 | power light | <p>The power light illuminates and blinks or remains solid to indicate different operating states:</p> <ul style="list-style-type: none"> • No light — The computer is turned off. • Steady green — The computer is in a normal operating state. • Blinking green — The computer is in a power-saving mode. • Blinking or solid amber — See your online <i>User's Guide</i>. <p>To exit from a power-saving mode, press the power button or use the keyboard or the mouse if it is configured as a wake device in the Windows Device Manager. For more information about sleep modes and exiting from a power-saving mode, see your online <i>User's Guide</i>.</p> <p>See "System Lights" on page 49 for a description of light codes that can help you troubleshoot problems with your computer.</p> |
| 6 | diagnostic lights | Use the lights to help you troubleshoot a computer problem based on the diagnostic code. For more information, see "Diagnostic Lights" on page 50. |
| 7 | hard-drive activity light | This light flickers when the hard drive is being accessed. |
| 8 | headphone connector | Use the headphone connector to attach headphones and most kinds of speakers. |
| 9 | microphone connector | Use the microphone connector to attach a microphone. |
| 10 | 3.5-inch drive bay | Can contain an optional floppy drive or optional Media Card Reader. |
| 11 | 5.25-inch drive bay | Can contain an optical drive. Insert a CD or DVD (if supported) into this drive. |

Desktop Computer — Back View



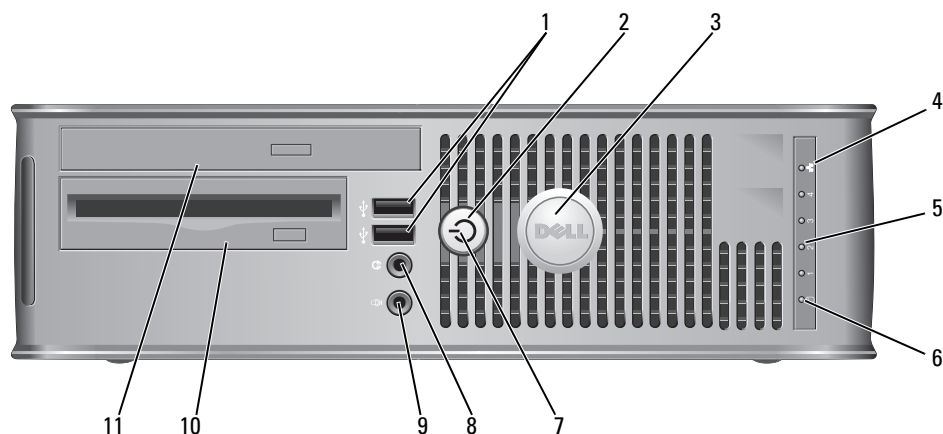
- | | | |
|---|--------------------------|--|
| 1 | card slots | Access connectors for any installed PCI and PCI Express cards. |
| 2 | back-panel connectors | Plug serial, USB, and other devices into the appropriate connectors (see "Desktop Computer — Back-Panel Connectors" on page 15). |
| 3 | power connector | Insert the power cable. |
| 4 | voltage selection switch | Your computer is equipped with a manual voltage selection switch.
To help avoid damaging a computer with a manual voltage selection switch, set the switch for the voltage that most closely matches the AC power available in your location. |
| | | ➡ NOTICE: The voltage selection switch must be set to the 115-V position even though the AC power available in Japan is 100 V. |
| | | Also, ensure that your monitor and attached devices are electrically rated to operate with the AC power available in your location. |
| 5 | padlock ring | Insert a padlock to lock the computer cover. |
| 6 | cover-release latch | Allows you to open the computer cover. |

Desktop Computer — Back-Panel Connectors



- | | | |
|---|------------------------------|---|
| 1 | parallel connector | <p>Connect a parallel device, such as a printer, to the parallel connector. If you have a USB printer, plug it into a USB connector.</p> <p>NOTE: The integrated parallel connector is automatically disabled if the computer detects an installed card containing a parallel connector configured to the same address. For more information, see your online <i>User's Guide</i>.</p> |
| 2 | link integrity light | <ul style="list-style-type: none"> • Green — A good connection exists between a 10-Mbps network and the computer. • Orange — A good connection exists between a 100-Mbps network and the computer. • Yellow — A good connection exists between a 1-Gbps (or 1000-Mbps) network and the computer. • Off — The computer is not detecting a physical connection to the network. |
| 3 | network adapter connector | <p>To attach your computer to a network or broadband device, connect one end of a network cable to either a network jack or your network or broadband device. Connect the other end of the network cable to the network adapter connector on the back panel of your computer. A click indicates that the network cable has been securely attached.</p> <p>NOTE: Do not plug a telephone cable into the network connector.</p> <p>On computers with a network connector card, use the connector on the card.</p> <p>It is recommended that you use Category 5 wiring and connectors for your network. If you must use Category 3 wiring, force the network speed to 10 Mbps to ensure reliable operation.</p> |
| 4 | network activity light | <p>Flashes a yellow light when the computer is transmitting or receiving network data. A high volume of network traffic may make this light appear to be in a steady "on" state.</p> |
| 5 | line-out connector | <p>Use the green line-out connector to attach most speakers with integrated amplifiers.</p> |
| 6 | line-in/microphone connector | <p>Use the blue and pink line-in/microphone connector to attach a record/playback device such as a cassette player, CD player, or VCR.; or a personal computer microphone for voice or musical input into a sound or telephony program.</p> |
| 7 | USB 2.0 connectors (6) | <p>Use the back USB connectors for devices that typically remain connected, such as printers and keyboards.</p> |
| 8 | video connector | <p>Plug the cable from your VGA-compatible monitor into the blue connector.</p> <p>NOTE: If you purchased an optional graphics card, this connector will be covered by a cap. Connect your monitor to the connector on the graphics card. Do not remove the cap.</p> <p>NOTE: If you are using a graphics card that supports dual monitors, use the y-cable that came with your computer.</p> |
| 9 | serial connector | <p>Connect a serial device, such as a handheld device, to the serial port. The default designations are COM1 for serial connector 1 and COM2 for serial connector 2.</p> <p>For more information, see your online <i>User's Guide</i>.</p> |

Small Form Factor Computer — Front View



- | | | |
|---|---------------------------|---|
| 1 | USB 2.0 connectors (2) | Use the front USB connectors for devices that you connect occasionally, such as joysticks or cameras, or for bootable USB devices (see your online <i>User's Guide</i> for more information about booting to a USB device).

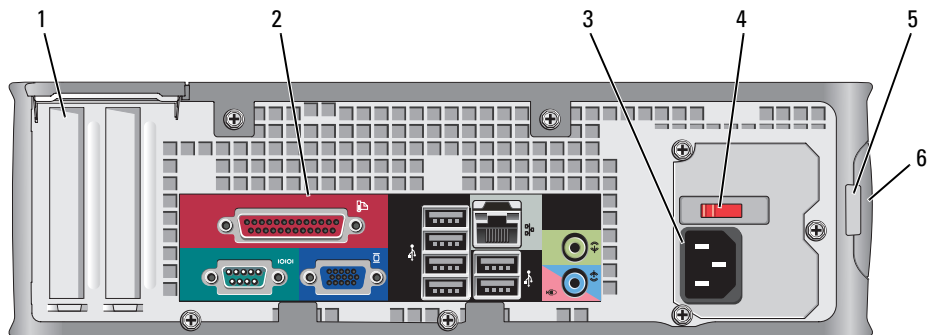
It is recommended that you use the back USB connectors for devices that typically remain connected, such as printers and keyboards. |
| 2 | power button | Press to turn on the computer.

➔ NOTICE: To avoid losing data, do not turn off the computer by pressing the power button. Instead, perform an operating system shutdown. See "Before You Begin" on page 25 for more information.

➔ NOTICE: If your operating system has ACPI enabled, when you press the power button the computer will perform an operating system shutdown. |
| 3 | Dell badge | Can be rotated to match the orientation of your computer. To rotate, place fingers around the outside of the badge, press firmly, and turn the badge. You can also rotate the badge using the slot provided near the bottom of the badge. |
| 4 | LAN indicator light | Indicates that a LAN (local area network) connection is established. |
| 5 | diagnostic lights | Use the lights to help you troubleshoot a computer problem based on the diagnostic code. For more information, see "Diagnostic Lights" on page 50. |
| 6 | hard drive activity light | This light flickers when the hard drive is being accessed. |

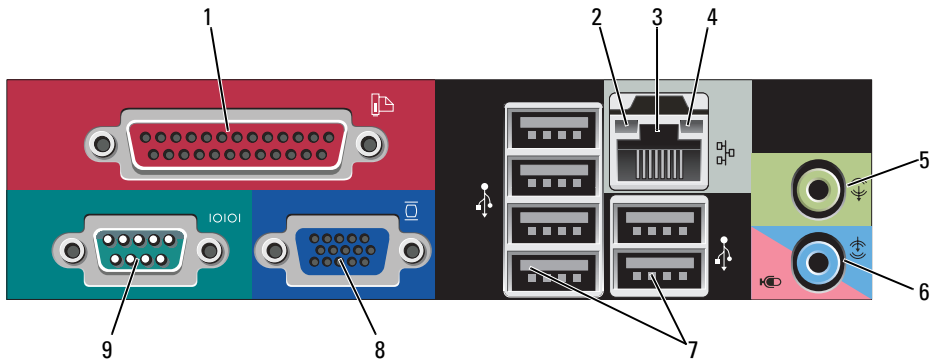
- | | | |
|----|----------------------|--|
| 7 | power light | <p>The power light illuminates and blinks or remains solid to indicate different operating states:</p> <ul style="list-style-type: none"> • No light — The computer is turned off. • Steady green — The computer is in a normal operating state. • Blinking green — The computer is in a power-saving mode. • Blinking or solid amber — See your online <i>User's Guide</i>. <p>To exit from a power-saving mode, press the power button or use the keyboard or the mouse if it is configured as a wake device in the Windows Device Manager. For more information about sleep modes and exiting from a power-saving mode, see your online <i>User's Guide</i>.</p> <p>See "System Lights" on page 49 for a description of light codes that can help you troubleshoot problems with your computer.</p> |
| 8 | headphone connector | Use the headphone connector to attach headphones and most kinds of speakers. |
| 9 | microphone connector | Use the microphone connector to attach a microphone. |
| 10 | 3.5-inch drive bay | Can contain an optional floppy drive or optional media card reader. |
| 11 | 5.25-inch drive bay | Can contain an optical drive. Insert a CD or DVD (if supported) into this drive. |

Small Form Factor Computer — Back View



- | | | |
|---|--------------------------|--|
| 1 | card slots | Access connectors for any installed PCI and PCI Express cards. |
| 2 | back-panel connectors | Plug serial, USB, and other devices into the appropriate connectors (see "Small Form Factor Computer — Back-Panel Connectors" on page 19). |
| 3 | power connector | Insert the power cable. |
| 4 | voltage selection switch | Your computer is equipped with a manual voltage-selection switch.
To help avoid damaging a computer with a manual voltage selection switch, set the switch for the voltage that most closely matches the AC power available in your location. |
| | | NOTICE: The voltage selection switch must be set to the 115-V position even though the AC power available in Japan is 100 V. |
| | | Also, ensure that your monitor and attached devices are electrically rated to operate with the AC power available in your location. |
| 5 | padlock ring | Insert a padlock to lock the computer cover. |
| 6 | cover release latch | Allows you to open the computer cover. |

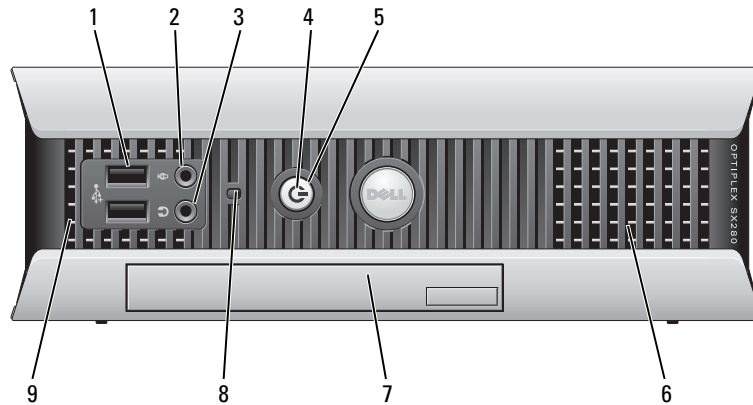
Small Form Factor Computer — Back-Panel Connectors



- | | | |
|---|------------------------------|---|
| 1 | parallel connector | <p>Connect a parallel device, such as a printer, to the parallel connector. If you have a USB printer, plug it into a USB connector.</p> <p>NOTE: The integrated parallel connector is automatically disabled if the computer detects an installed card containing a parallel connector configured to the same address. For more information, see your online <i>User's Guide</i>.</p> |
| 2 | link integrity light | <ul style="list-style-type: none"> • Green — A good connection exists between a 10-Mbps network and the computer. • Orange — A good connection exists between a 100-Mbps network and the computer. • Yellow — A good connection exists between a 1-Gbps (or 1000-Mbps) network and the computer. • Off — The computer is not detecting a physical connection to the network. |
| 3 | network adapter connector | <p>To attach your computer to a network or broadband device, connect one end of a network cable to either a network jack or your network or broadband device. Connect the other end of the network cable to the network adapter connector on the back panel of your computer. A click indicates that the network cable has been securely attached.</p> <p>NOTE: Do not plug a telephone cable into the network connector.</p> <p>On computers with a network connector card, use the connector on the card.</p> <p>It is recommended that you use Category 5 wiring and connectors for your network. If you must use Category 3 wiring, force the network speed to 10 Mbps to ensure reliable operation.</p> |
| 4 | network activity light | <p>Flashes a yellow light when the computer is transmitting or receiving network data. A high volume of network traffic may make this light appear to be in a steady "on" state.</p> |
| 5 | line-out connector | <p>Use the green line-out connector (available on computers with integrated sound) to attach most speakers with integrated amplifiers.</p> |
| 6 | line-in/microphone connector | <p>Use the blue and pink line-in/microphone connector (available on computers with integrated sound) to attach a record/playback device such as a cassette player, CD player, or VCR; or a personal computer microphone for voice or musical input into a sound or telephony program.</p> |
| 7 | USB 2.0 connectors (6) | <p>Use the back USB connectors for devices that typically remain connected, such as printers and keyboards.</p> |

- 8 video connector Plug the cable from your VGA-compatible monitor into the blue connector.
NOTE: If you purchased an optional graphics card, this connector will be covered by a cap. Connect your monitor to the connector on the graphics card. Do not remove the cap.
NOTE: If you are using a graphics card that supports dual monitors, use the y-cable that came with your computer.
- 9 serial connector Connect a serial device, such as a handheld device, to the serial port. The default designations are COM1 for serial connector 1 and COM2 for serial connector 2.
For more information, see your online *User's Guide*.

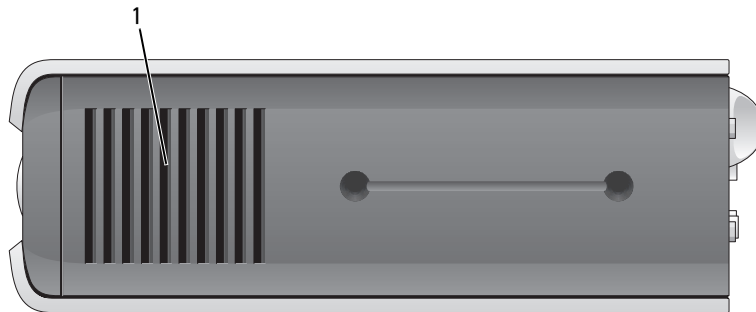
Ultra-Small Form Factor Computer — Front View



- 1 USB connectors (2) Use the front USB connectors for devices that you connect occasionally, such as joysticks or cameras, or for bootable USB devices (see your online *User's Guide* for more information about booting to a USB device).
It is recommended that you use the back USB connectors for devices that typically remain connected, such as printers and keyboards.
- 2 headphone connector Use the headphone connector to attach headphones and most kinds of speakers.
- 3 microphone connector Use the microphone connector to attach a microphone.

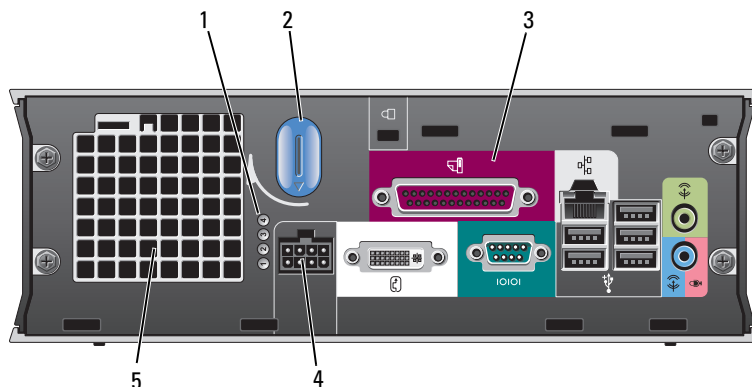
- 4 power light The power light illuminates and blinks or remains solid to indicate different states:
- No light — The computer is turned off.
 - Steady green — The computer is in a normal operating state.
 - Blinking green — The computer is in a power-saving mode.
 - Blinking or solid yellow — See your online *User's Guide*.
- To exit from a power-saving mode, press the power button or use the keyboard or the mouse if it is configured as a wake device in the Windows Device Manager. For more information about sleep modes and exiting from a power-saving mode, see your online *User's Guide*.
- See "System Lights" on page 49 for a description of light codes that can help you troubleshoot problems with your computer.
- 5 power button Press this button to turn on the computer.
- ➡ NOTICE:** To avoid losing data, do not turn off the computer by pressing the power button. Instead, perform an operating system shutdown. See "Before You Begin" on page 25 for more information.
- 6 vents The vents help prevent your computer from overheating. To ensure proper ventilation, do not block these cooling vents.
- 7 module bay Install a D-module optical drive, second hard drive, or floppy drive in the module bay.
- 8 hard-drive access light The hard-drive access light is on when the computer reads data from or writes data to the hard drive. The light might also be on when devices such as your CD player are operating.
- 9 vents The vents help prevent your computer from overheating. To ensure proper ventilation, do not block these cooling vents.

Ultra-Small Form Factor Computer — Side View



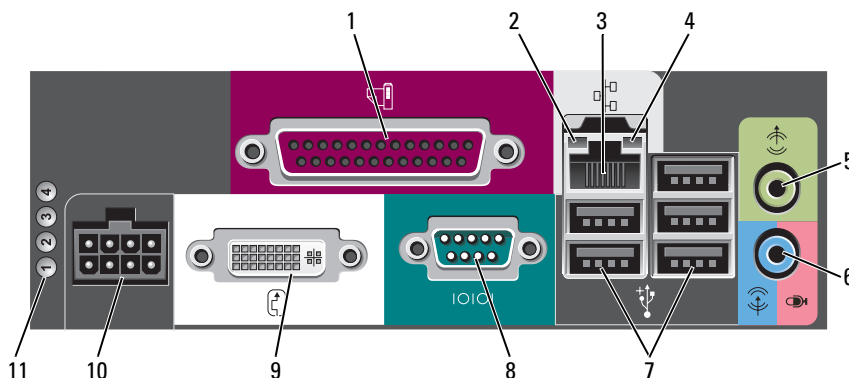
- 1 vents The vents located on each side of the computer help prevent your computer from overheating. To ensure proper ventilation, do not block these cooling vents.

Ultra-Small Form Factor Computer — Back View



- | | | |
|---|-----------------------------|---|
| 1 | diagnostic lights | See "Diagnostic Lights" on page 50 for a description of light codes that can help you troubleshoot problems with your computer. |
| 2 | computer cover release knob | Rotate this knob in a clockwise direction to remove the cover. |
| 3 | back-panel connectors | The connectors for your computer (see "Ultra-Small Form Factor Computer — Back-Panel Connectors" on page 23). |
| 4 | power connector | Insert the power cable. |
| 5 | vents | The vents help prevent your computer from overheating. To ensure proper ventilation, do not block these cooling vents. |

Ultra-Small Form Factor Computer — Back-Panel Connectors



- | | | |
|---|--------------------|---|
| 1 | parallel connector | Connect a parallel device, such as a printer, to the parallel connector. If you have a USB printer, plug it into a USB connector. |
|---|--------------------|---|

- | | | |
|----|-------------------------------|---|
| 2 | link integrity light | <ul style="list-style-type: none"> • Green — A good connection exists between a 10-Mbps network and the computer. • Orange — A good connection exists between a 100-Mbps network and the computer. • Yellow — A good connection exists between a 1000-Mbps (1-Gbps) network and the computer. • Off — The computer is not detecting a physical connection to the network or the network controller is turned off in system setup. |
| 3 | network adapter | <p>To attach your computer to a network or broadband device, connect one end of a network cable to either a network jack or your network or broadband device. Connect the other end of the network cable to the network adapter connector on the back panel of your computer. A click indicates that the network cable has been securely attached.</p> <p>NOTE: Do not plug a telephone cable into the network connector.</p> <p>On computers with a network connector card, use the connector on the card.</p> <p>It is recommended that you use Category 5 wiring and connectors for your network. If you must use Category 3 wiring, force the network speed to 10 Mbps to ensure reliable operation.</p> |
| 4 | network activity light | The amber light flashes when the computer is transmitting or receiving network data. A high volume of network traffic may make this light appear to be in a steady "on" state. |
| 5 | line-out connector | Use the green line-out connector to attach an amplified speaker set. |
| 6 | line-in/ microphone connector | Use the blue and pink line-in/ microphone connector to attach a record/playback device such as a cassette player, CD player, or VCR.; or a personal computer microphone for voice or musical input into a sound or telephony program. |
| 7 | USB connectors (5) | Use the back USB connectors for devices that typically remain connected, such as printers and keyboards. |
| 8 | serial connector | Connect a serial device, such as a handheld device, to the serial connector. |
| 9 | video connector | <p>If you have a DVI-compatible monitor, plug the cable from your monitor into the white connector on the back panel.</p> <p>If you have a VGA monitor, see "Connecting a VGA Monitor" in your computer <i>User's Guide</i>.</p> |
| 10 | power connector | The connector for the power adapter. |
| 11 | diagnostic lights | See "Diagnostic Lights" on page 50 for a description of light codes that can help you troubleshoot problems with your computer. |

Removing the Computer Cover



CAUTION: Before you begin any of the procedures in this section, follow the safety instructions in the *Product Information Guide*.



CAUTION: To guard against electrical shock, always unplug your computer from the electrical outlet before removing the cover.


Before You Begin

- ➔ **NOTICE:** To avoid losing data, save and close any open files and exit any open programs before you turn off your computer.
- 1 Shut down the operating system:
 - a Save and close any open files, exit any open programs, click the **Start** button, and then click **Turn Off Computer**.
 - b In the **Turn off computer** window, click **Turn off**.
The computer turns off after the operating system shutdown process finishes.
- 2 Ensure that the computer and any attached devices are turned off. If your computer and attached devices did not automatically turn off when you shut down your operating system, turn them off now.

Before Working Inside Your Computer

Use the following safety guidelines to help protect your computer from potential damage and to help ensure your own personal safety.

 **CAUTION:** Before you begin any of the procedures in this section, follow the safety instructions in the *Product Information Guide*.

 **CAUTION:** Handle components and cards with care. Do not touch the components or contacts on a card. Hold a card by its edges or by its metal mounting bracket. Hold a component such as a processor by its edges, not by its pins.

➔ **NOTICE:** Only a certified service technician should perform repairs on your computer. Damage due to servicing that is not authorized by Dell is not covered by your warranty.

➔ **NOTICE:** When you disconnect a cable, pull on its connector or on its strain-relief loop, not on the cable itself. Some cables have a connector with locking tabs; if you are disconnecting this type of cable, press in on the locking tabs before you disconnect the cable. As you pull connectors apart, keep them evenly aligned to avoid bending any connector pins. Also, before you connect a cable, ensure that both connectors are correctly oriented and aligned.

To avoid damaging the computer, perform the following steps before you begin working inside the computer.

- 1 Turn off your computer.

➔ **NOTICE:** To disconnect a network cable, first unplug the cable from your computer and then unplug it from the network wall jack.

- 2 Disconnect any telephone or telecommunication lines from the computer.

- 3 Disconnect your computer and all attached devices from their electrical outlets, and then press the power button to ground the system board.

- 4 If applicable, remove the computer stand (for instructions, see the documentation that came with the stand).

 **CAUTION:** To guard against electrical shock, always unplug your computer from the electrical outlet before removing the cover.

5 Remove the computer cover:

- Remove the mini tower computer cover (see "Mini Tower Computer" on page 26).
- Remove the desktop computer cover (see "Desktop Computer" on page 27).
- Remove the small form factor computer cover (see "Small Form Factor Computer" on page 28).
- Remove the ultra-small form factor computer cover (see "Ultra-Small Form Factor Computer" on page 30).



NOTICE: Before touching anything inside your computer, ground yourself by touching an unpainted metal surface, such as the metal at the back of the computer. While you work, periodically touch an unpainted metal surface to dissipate any static electricity that could harm internal components.

Mini Tower Computer



CAUTION: Before you begin any of the procedures in this section, follow the safety instructions in the *Product Information Guide*.

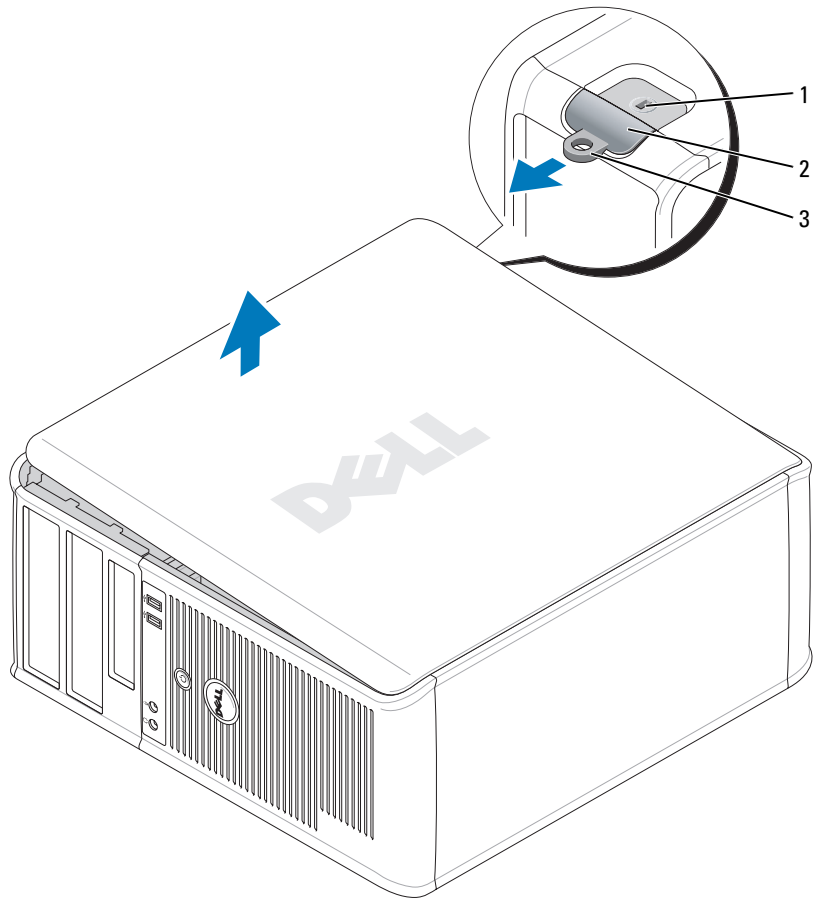


CAUTION: To guard against electrical shock, always unplug your computer from the electrical outlet before removing the computer cover.

- 1** Follow the procedures in "Before You Begin" on page 25.
- 2** Lay the computer on its side as shown in the illustration.
- 3** Locate the cover release latch shown in the illustration. Then, slide the release latch back as you lift the cover.
- 4** Grip the sides of the computer cover and pivot the cover up using the hinge tabs as leverage points.
- 5** Remove the cover from the hinge tabs and set it aside on a soft nonabrasive surface.



CAUTION: Graphic card heatsinks may become very hot during normal operation. Ensure that a graphic card heatsink has had sufficient time to cool before you touch it.



1 security cable slot

2 cover release latch

3 padlock ring

Desktop Computer



CAUTION: Before you begin any of the procedures in this section, follow the safety instructions in the *Product Information Guide*.

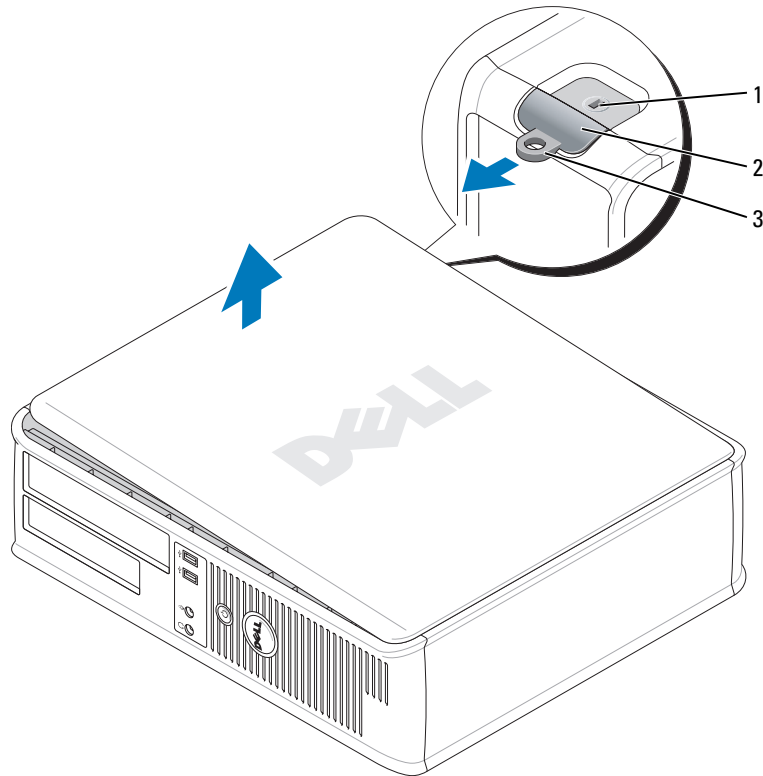


CAUTION: To guard against electrical shock, always unplug your computer from the electrical outlet before removing the computer cover.

- 1 Follow the procedures in "Before You Begin" on page 25.
- 2 If you have installed a padlock through the padlock ring on the back panel, remove the padlock.

- 3 Locate the cover release latch shown in the illustration. Then, slide the release latch back as you lift the cover.
- 4 Grip the sides of the computer cover and pivot the cover up using the hinge tabs as leverage points.
- 5 Remove the cover from the hinge tabs and set it aside on a soft nonabrasive surface.

CAUTION: Graphic card heatsinks may become very hot during normal operation. Ensure that a graphic card heatsink has had sufficient time to cool before you touch it.



1 security cable slot

2 cover release latch


3 padlock ring

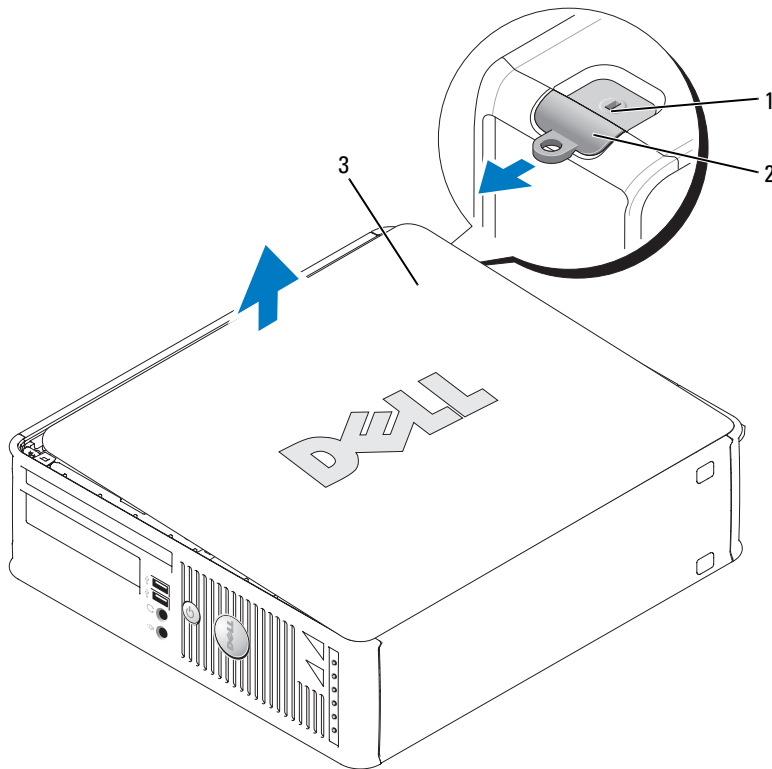
Small Form Factor Computer

CAUTION: Before you begin any of the procedures in this section, follow the safety instructions in the *Product Information Guide*.

CAUTION: To guard against electrical shock, always unplug your computer from the electrical outlet before removing the computer cover.

- 1 Follow the procedures in "Before You Begin" on page 25.
- 2 If you have installed a padlock through the padlock ring on the back panel, remove the padlock.
- 3 Locate the cover release latch shown in the illustration. Then, slide the release latch back as you lift the cover.
- 4 Grip the sides of the computer cover and pivot the cover up using the bottom hinges as leverage points.
- 5 Remove the cover from the hinge tabs and set it aside on a soft nonabrasive surface.

 **CAUTION: Graphic card heatsinks may become very hot during normal operation. Ensure that a graphic card heatsink has had sufficient time to cool before you touch it.**



1 security cable slot

2 cover release latch

3 computer cover

Ultra-Small Form Factor Computer

⚠ CAUTION: Before you begin any of the procedures in this section, follow the safety instructions in the *Product Information Guide*.

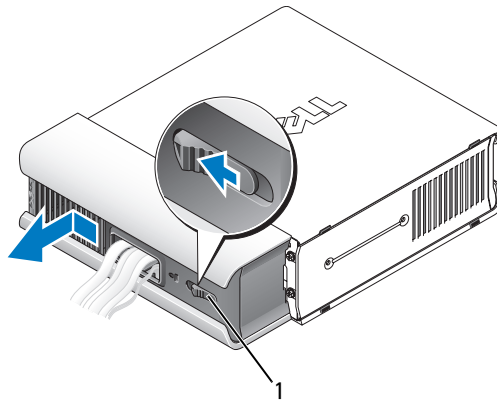
⚠ CAUTION: To guard against electrical shock, always unplug your computer from the electrical outlet before removing the computer cover.

1 Follow the procedures in "Before You Begin" on page 25.

➡ NOTICE: Before touching anything inside your computer, ground yourself by touching an unpainted metal surface. While you work, periodically touch an unpainted metal surface to dissipate any static electricity that could harm internal components.

2 If applicable, remove the cable cover.

a If a security device is installed in the security cable slot, remove the device.



1 release button

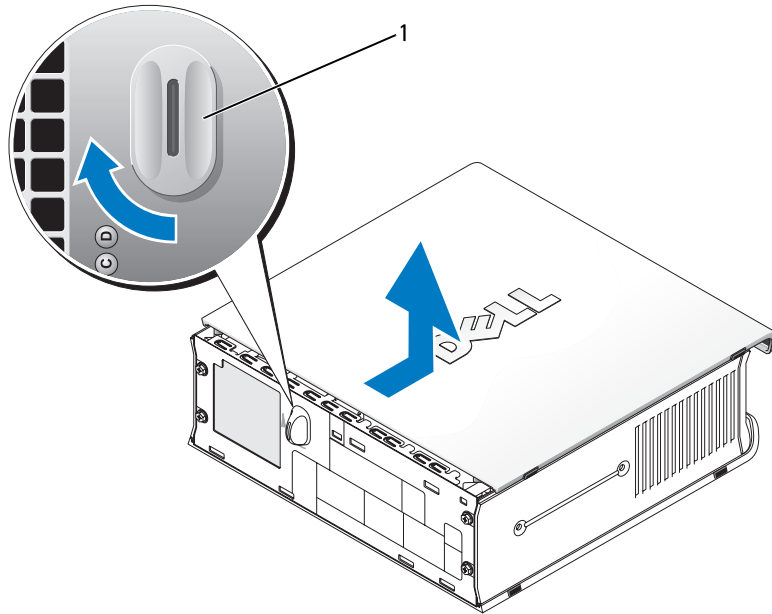
b Press on the release button, grasp the cable cover, and slide the cover to the left until it stops, and then lift the cable cover up and away.

3 Remove the computer cover:

a Rotate the cover release knob in a clockwise direction, as shown in the illustration.

b Slide the computer cover forward by 1 cm (1/2 inch), or until it stops, and then raise the cover.

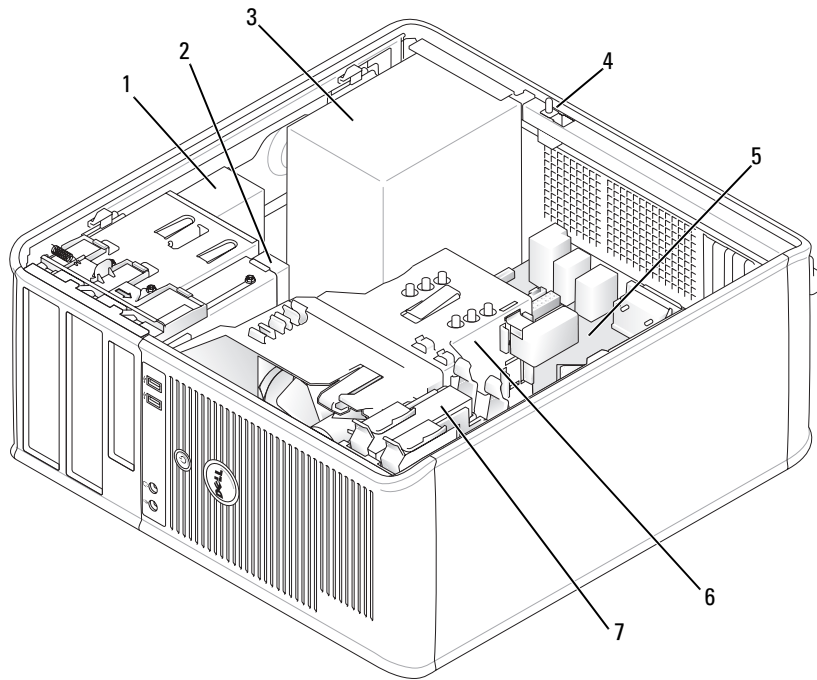
⚠ CAUTION: Graphic card heatsinks may become very hot during normal operation. Ensure that a graphic card heatsink has had sufficient time to cool before you touch it.



1 release knob

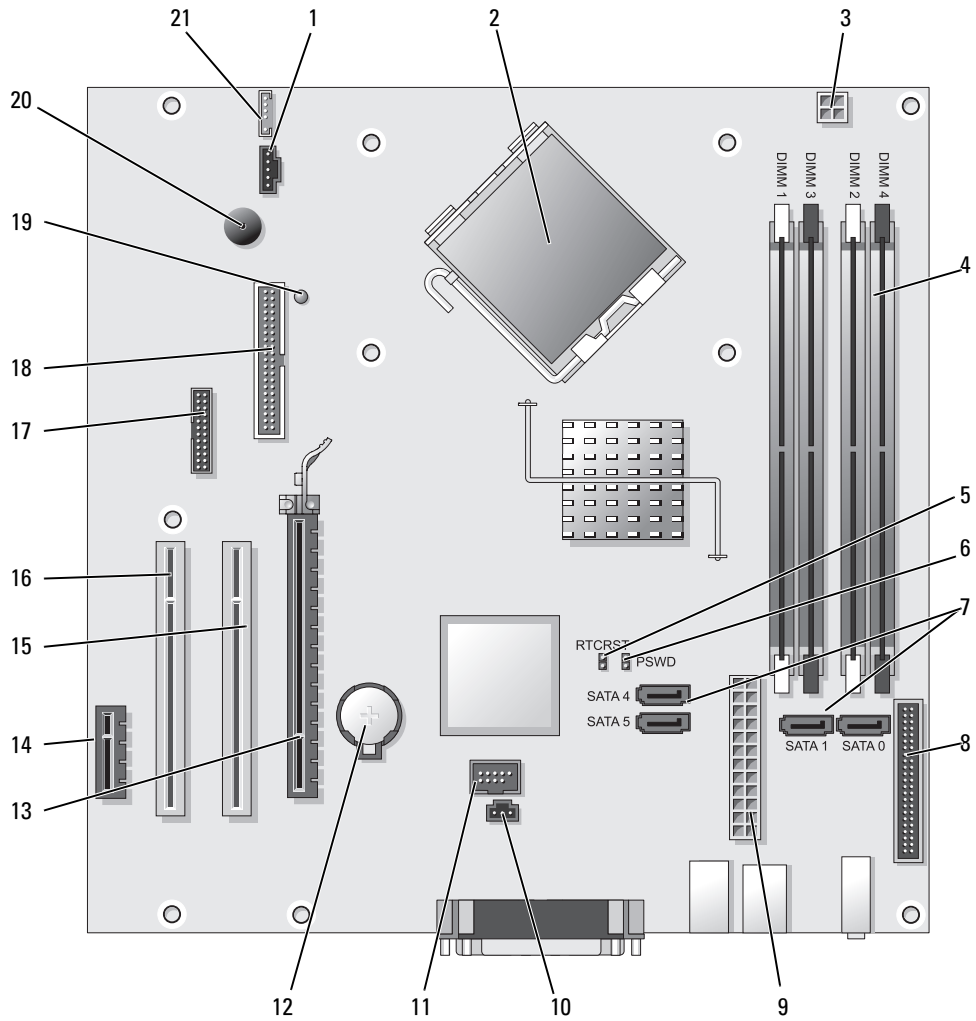
Inside Your Computer

Mini Tower Computer



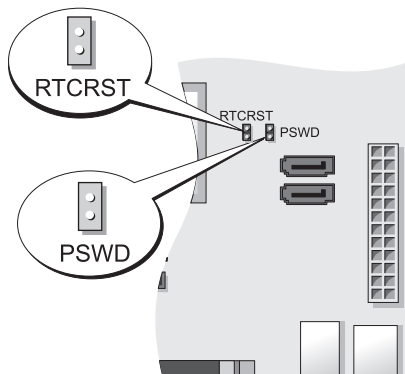
- | | | | | | |
|---|-----------------------------------|---|-----------------------------------|---|--------------------|
| 1 | optical drive | 2 | floppy drive or media card reader | 3 | power supply |
| 4 | optional chassis-intrusion switch | 5 | system board | 6 | heat-sink assembly |
| 7 | hard drive | | | | |





System Board Components



- | | | | |
|----|---|----|-----------------------------------|
| 1 | fan connector (FAN) | 12 | battery socket (BATT) |
| 2 | processor connector (CPU) | 13 | PCI Express x16 connector (SLOT1) |
| 3 | processor power connector (12VPOWER) | 14 | PCI Express x1 connector (SLOT4) |
| 4 | memory module connectors (DIMM_1, DIMM_2, DIMM_3, DIMM_4) | 15 | PCI connector (SLOT2) |
| 5 | RTC reset jumper (RTCRST) | 16 | PCI connector (SLOT3) |
| 6 | password jumper (PSWD) | 17 | serial connector (SER2) |
| 7 | SATA drive connectors (SATA0, SATA1, SATA4, SATA5) | 18 | floppy drive connector (DSKT) |
| 8 | front-panel connector (FNT_PANEL) | 19 | flea power |
| 9 | power connector (POWER) | 20 | system board speaker (BEEP) |
| 10 | intrusion switch connector (INTRUDER) | 21 | speaker connector (INT_SPKR) |
| 11 | internal USB (INTERNAL_USB) | | |

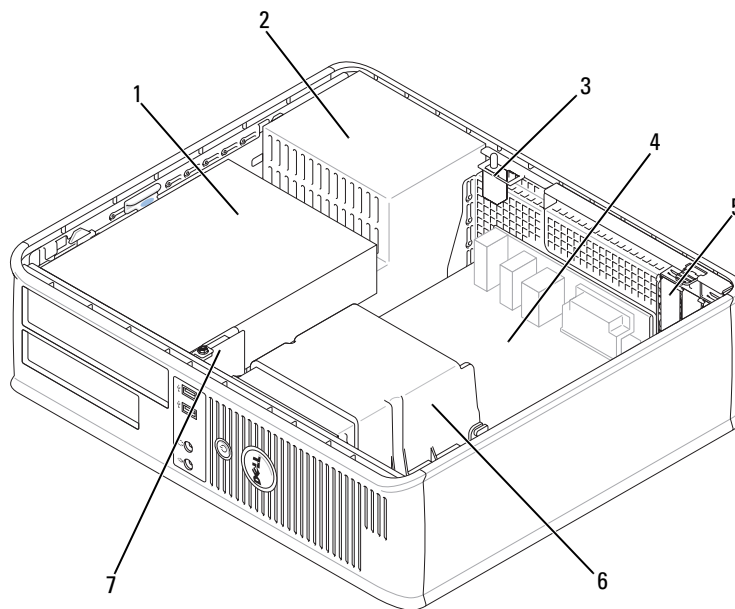
Jumper Settings



Jumper	Setting	Description
PSWD		Password features are enabled (default setting).
		Password features are disabled.
RTCRST		The real-time clock has not been reset.
		The real-time clock is being reset (jumpered temporarily).

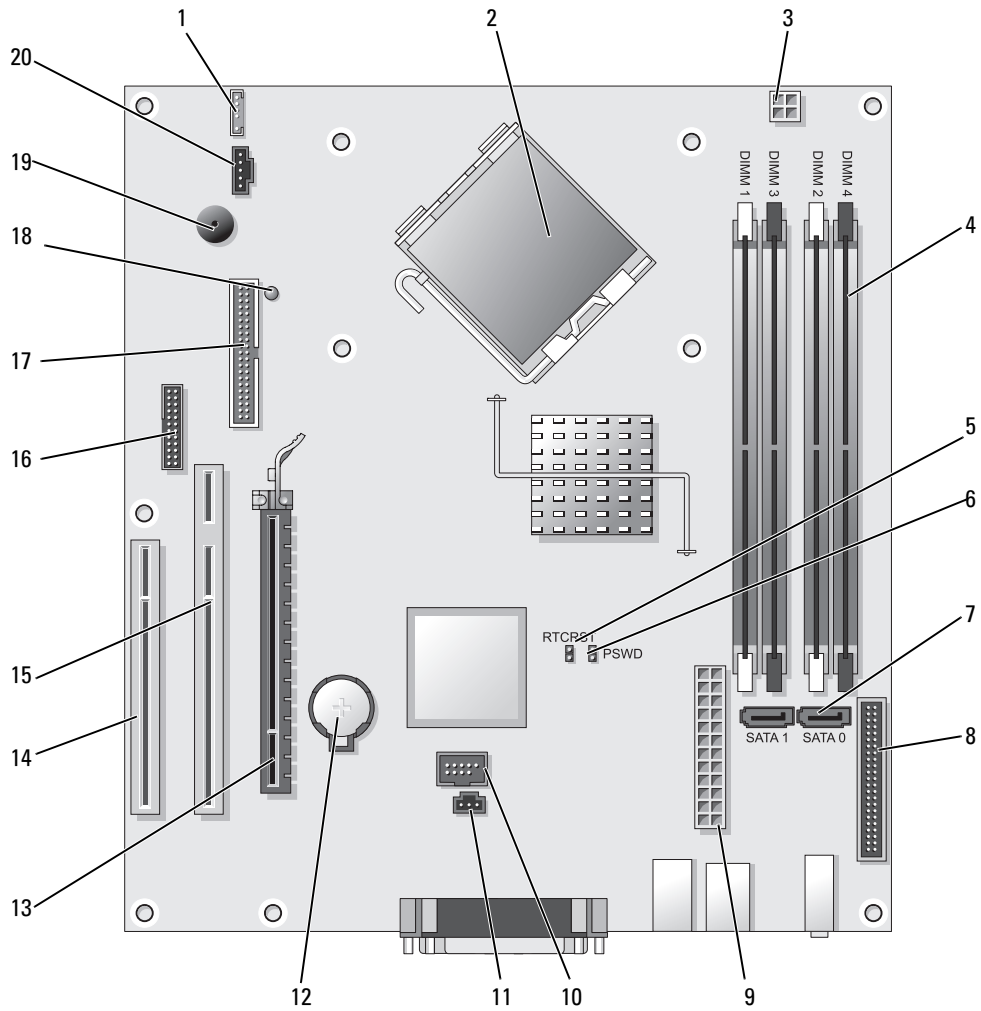
 *jumpered*  *unjumpered*

Desktop Computer



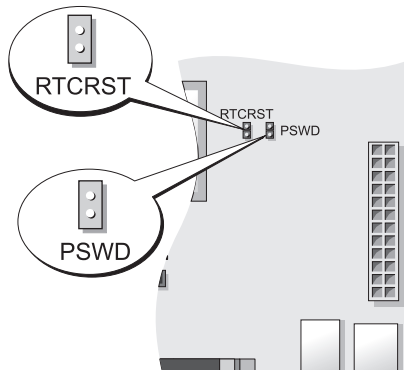
- | | | | | | |
|---|--|---|--------------|---|-----------------------------------|
| 1 | drive bays (media card reader or floppy drive, optical drive and hard drive) | 2 | power supply | 3 | optional chassis-intrusion switch |
| 4 | system board | 5 | card slots | 6 | heat sink assembly |
| 7 | front I/O panel | | | | |

System Board Components



- | | | | |
|----|---|----|---------------------------------------|
| 1 | internal speaker (INT_SPKR) | 11 | intrusion switch connector (INTRUDER) |
| 2 | processor connector (CPU) | 12 | battery socket (BATT) |
| 3 | processor power connector (12VPOWER) | 13 | PCI Express x16 connector (SLOT1) |
| 4 | memory module connectors (DIMM_1, DIMM_2, DIMM_3, DIMM_4) | 14 | PCI connector (SLOT3) |
| 5 | RTC reset jumper (RTCRST) | 15 | PCI connector (SLOT2) |
| 6 | password jumper (PSWD) | 16 | serial connector (SER2) |
| 7 | SATA connectors (SATA0, SATA1) | 17 | floppy drive connector (DSKT) |
| 8 | front-panel connector (FNT_PANEL) | 18 | flea power |
| 9 | power connector (POWER) | 19 | system board speaker (BEEP) |
| 10 | internal USB (INTERNAL_USB) | 20 | fan connector (FAN) |

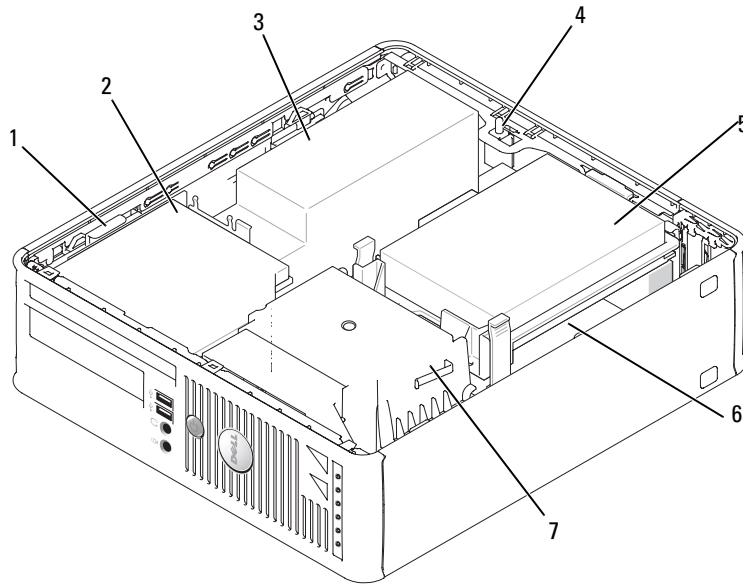
Jumper Settings



Jumper	Setting	Description
PSWD		Password features are enabled (default setting).
		Password features are disabled.
RTCRST		The real-time clock has not been reset.
		The real-time clock is being reset (jumpered temporarily).

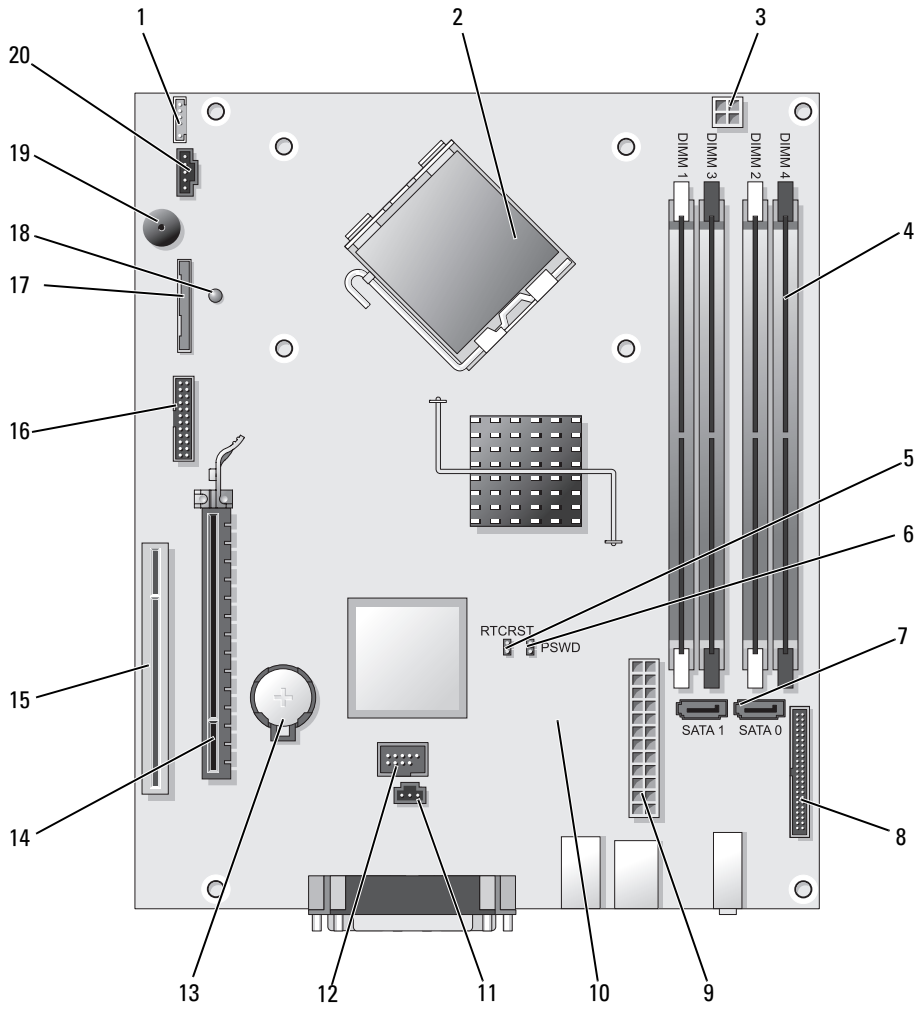
jumpered *unjumpered*

Small Form Factor Computer



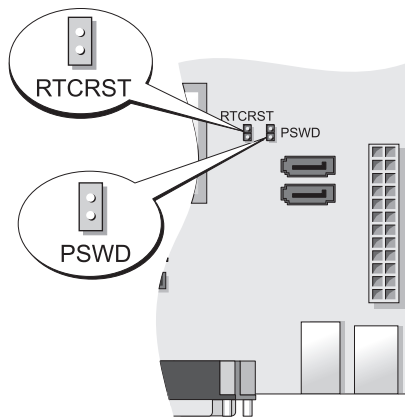
- | | | | | | |
|---|-----------------------------------|---|---------------|---|----------------------|
| 1 | drive-release latch | 2 | optical drive | 3 | power supply and fan |
| 4 | optional chassis-intrusion switch | 5 | hard drive | 6 | system board |
| 7 | heat sink and blower assembly | | | | |

System Board Components



- | | | | |
|----|---|----|---------------------------------------|
| 1 | internal speaker connector (INT_SPKR) | 11 | intrusion switch connector (INTRUDER) |
| 2 | processor connector (CPU) | 12 | internal USB connector (USB) |
| 3 | processor power connector (12VPOWER) | 13 | battery socket (BATT) |
| 4 | memory module connectors (DIMM_1, DIMM_2, DIMM_3, DIMM_4) | 14 | PCI Express x16 connector (SLOT1) |
| 5 | RTC reset jumper (RTCRST) | 15 | PCI connector (SLOT2) |
| 6 | password jumper (PSWD) | 16 | serial connector (SER2) |
| 7 | SATA connectors (SATA0, SATA1) | 17 | floppy drive connector (DSKT) |
| 8 | front-panel connector (FNT_PANEL) | 18 | flea power |
| 9 | power connector (POWER) | 19 | system board speaker (BEEP) |
| 10 | fan connector (FAN2) | 20 | fan connector (FAN) |

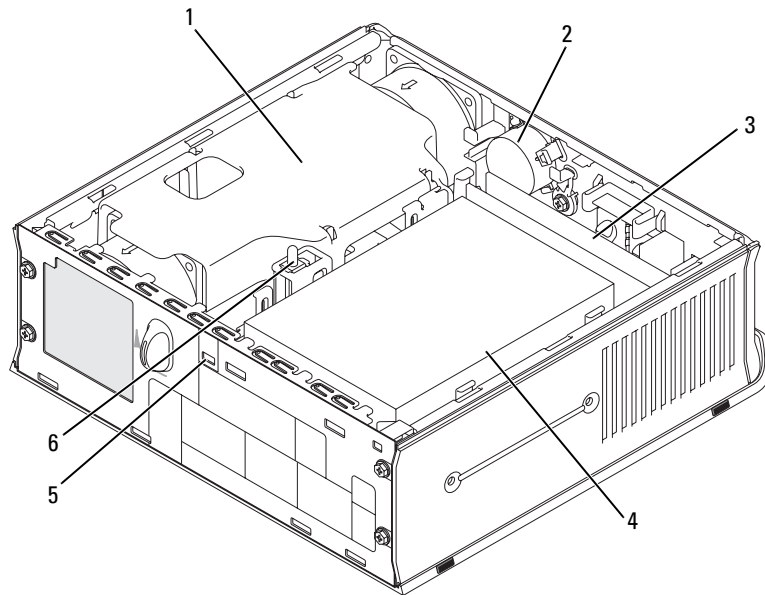
Jumper Settings



Jumper	Setting	Description
PSWD		Password features are enabled (default setting).
		Password features are disabled.
RTC RST		The real-time clock has not been reset.
		The real-time clock is being reset (jumpered temporarily).

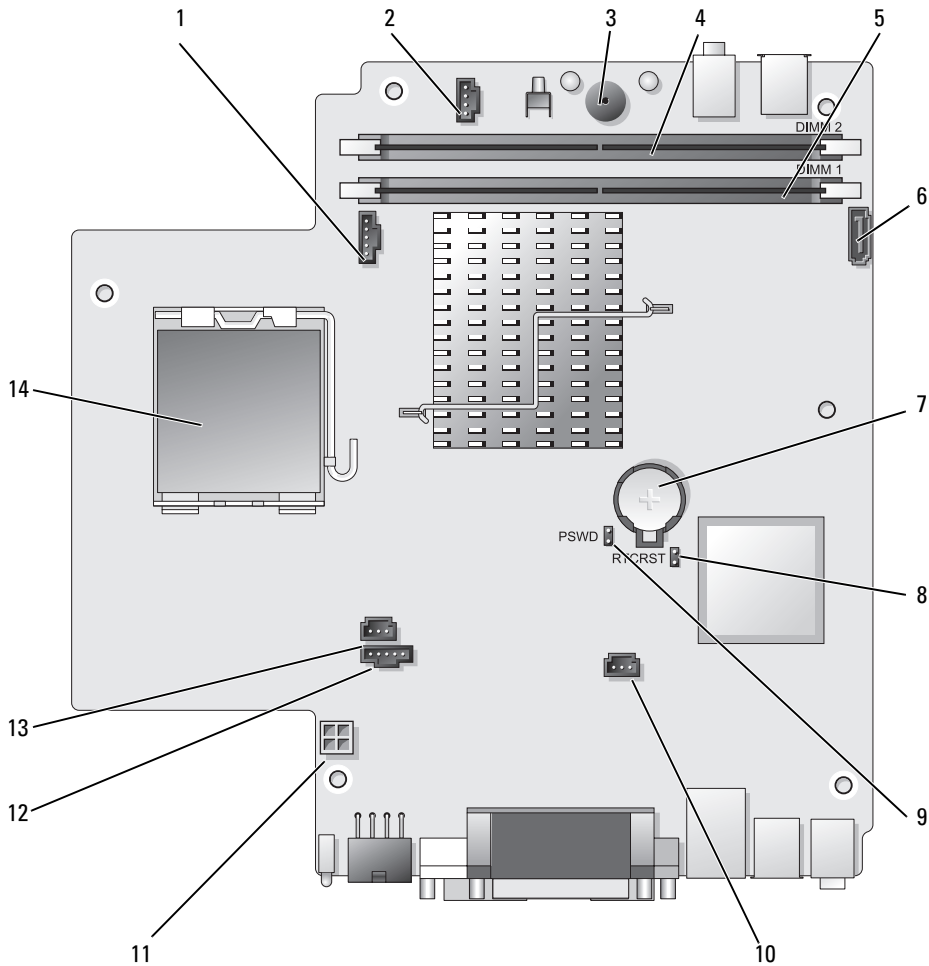
jumpered *unjumpered*

Ultra-Small Form Factor Computer



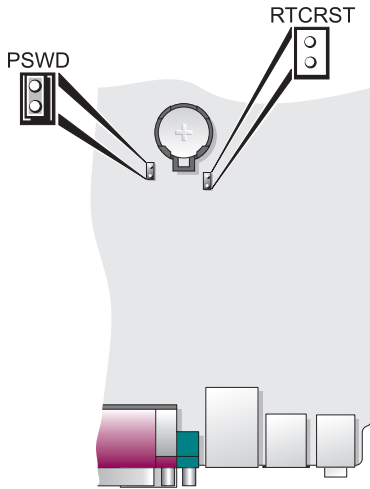
- | | | | | | |
|---|--------------------------------|---|---------------------|---|--------------------------|
| 1 | fan shroud/ heat sink assembly | 2 | speaker (optional) | 3 | memory modules (2) |
| 4 | hard drive | 5 | security cable slot | 6 | chassis intrusion switch |

System Board Components



- | | | | |
|---|---------------------------------------|----|---------------------------------------|
| 1 | fan connector (FAN_FRONT) | 8 | clear CMOS jumper (RTCST) |
| 2 | internal speaker connector (INT_SPKR) | 9 | password jumper (PSWD) |
| 3 | system board speaker (BEEP) | 10 | hard-drive fan connector (FAN_HDD) |
| 4 | channel B memory connector (DIMM_2) | 11 | hard-drive power connector (SATA_PWR) |
| 5 | channel A memory connector (DIMM_1) | 12 | fan connector (FAN_REAR) |
| 6 | SATA data cable connector(SATA0) | 13 | intrusion switch connector (INTRUDER) |
| 7 | battery (BATT) | 14 | processor (CPU) |

Jumper Settings




Jumper	Setting	Description
PSWD		Password features are enabled (default setting).
		Password features are disabled.
RTCRST		The real-time clock has not been reset.
		The real-time clock is being reset (jumped temporarily).


jumped
 unjumpered

Setting Up Your Computer


- CAUTION:** Before performing any of the procedures in this section, follow the safety instructions in *Product Information Guide*.
- NOTICE:** If your computer has an expansion card installed (such as a modem card), connect the appropriate cable to the card, *not* to the connector on the back panel.
- NOTICE:** To help allow the computer to maintain proper operating temperature, ensure that you do not place the computer too close to a wall or other storage compartment that might prevent air circulation around the chassis. See your Product Information Guide for more information.

 **NOTE:** Before you install any devices or software that did not ship with your computer, read the documentation that came with the device or software, or contact the vendor to verify that the device or software is compatible with your computer and operating system.

You must complete all the steps to properly set up your computer. See the appropriate figures that follow the instructions.

 **NOTICE:** Do not attempt to operate a PS/2 mouse and a USB mouse simultaneously.

1 Connect the keyboard and mouse.


 **NOTICE:** Do not connect a modem cable to the network adapter connector. Voltage from telephone communications can cause damage to the network adapter

2 Connect the modem or network cable.

Insert the network cable, not the telephone line, into the network connector. If you have an optional modem, connect the telephone line to the modem.


3 Connect the monitor.


Align and gently insert the monitor cable to avoid bending connector pins. Tighten the thumbscrews on the cable connectors.

 **NOTE:** Some monitors have the video connector underneath the back of the screen. See the documentation that came with your monitor for its connector locations.

4 Connect the speakers.

5 Connect power cables to the computer, monitor, and devices and connect the other ends of the power cables to electrical outlets.

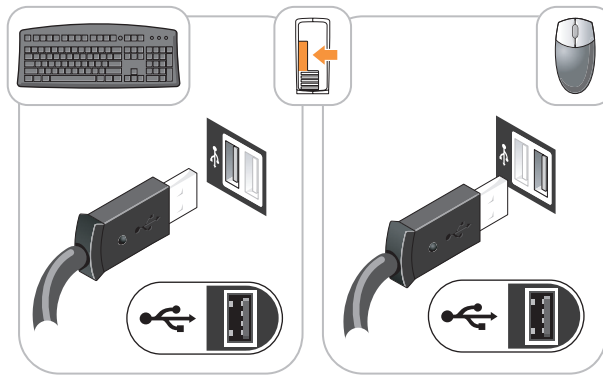
 **NOTICE:** To avoid damaging a computer with a manual voltage-selection switch, set the switch for the voltage that most closely matches the AC power available in your location.

 **NOTICE:** In Japan, the voltage selection switch must be set to the 115-V position even though the AC power available in Japan is 100 V.

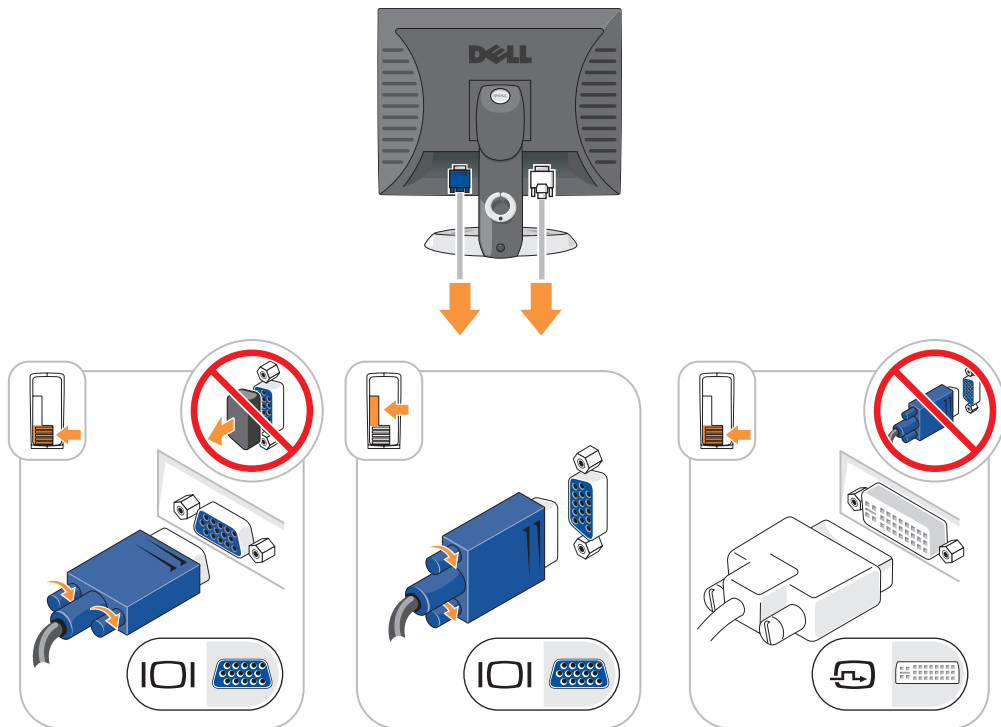
6 Verify that the voltage selection switch is set correctly for your location.

Your computer has a manual voltage-selection switch. Computers with a voltage selection switch on the back panel must be manually set to operate at the correct operating voltage.

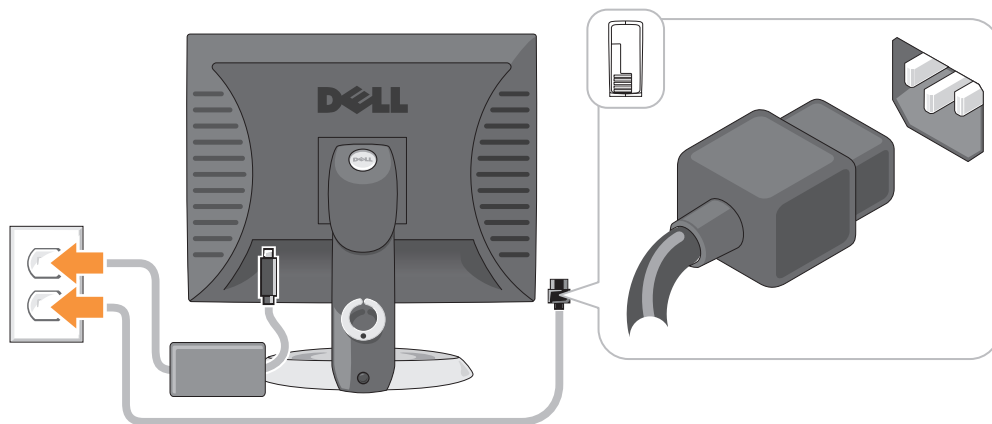
Set Up Your Keyboard and Mouse



Set Up Your Monitor



Power Connections



Solving Problems

Dell provides a number of tools to help you if your computer does not perform as expected. For the latest troubleshooting information available for your computer, see the Dell Support website at support.dell.com.

If computer problems occur that require help from Dell, write a detailed description of the error, beep codes, or diagnostics light patterns, record your Express Service Code and Service Tag below, and then contact Dell from the same location as your computer. For information on contacting Dell, see your online *User's Guide*.

For an example of the Express Service Code and Service Tag, see "Finding Information" in your computer *User's Guide*.

Express Service Code: _____

Service Tag: _____

Dell Diagnostics

⚠ CAUTION: Before you begin any of the procedures in this section, follow the safety instructions in the *Product Information Guide*.

When to Use the Dell Diagnostics

If you experience a problem with your computer, perform the checks in "Solving Problems" in your online *User's Guide* and run the Dell Diagnostics before you contact Dell for technical assistance. For information on contacting Dell, see your online *User's Guide*.

🔄 NOTICE: The Dell Diagnostics works only on Dell™ computers.

Enter system setup (see "System Setup" in your online *User's Guide* for instructions), review your computer's configuration information, and ensure that the device you want to test displays in system setup and is active.

Start the Dell Diagnostics from either your hard drive or from the optional *Drivers and Utilities CD (ResourceCD)*.

Starting the Dell Diagnostics From Your Hard Drive

- 1 Turn on (or restart) your computer.
- 2 When the DELL logo appears, press <F12> immediately.



NOTE: If you see a message stating that no diagnostics utility partition has been found, run the Dell Diagnostics from the optional *Drivers and Utilities CD* (see "Starting the Dell Diagnostics From the Drivers and Utilities CD" on page 47).

If you wait too long and the operating system logo appears, continue to wait until you see the Microsoft® Windows® desktop. Then shut down your computer and try again.

When the boot device list appears, highlight **Boot to Utility Partition** and press <Enter>.

- 3 When the Dell Diagnostics **Main Menu** appears, select the test you want to run.

Starting the Dell Diagnostics From the Drivers and Utilities CD

- 1 Insert the *Drivers and Utilities CD*.
- 2 Shut down and restart the computer.

When the DELL logo appears, press <F12> immediately.

If you wait too long and the operating system logo appears, continue to wait until you see the Microsoft Windows desktop. Then shut down your computer and try again.



NOTE: The next steps change the boot sequence for one time only. On the next start-up, the computer boots according to the devices specified in system setup.

- 3 When the boot device list appears, highlight the listing for the CD/DVD drive and press <Enter>.
- 4 Select the listing for the CD/DVD drive option from the CD boot menu.
- 5 Select the option to boot from the CD/DVD drive from the menu that appears.
- 6 Type 1 to start the *Drivers and Utilities CD* menu.
- 7 Type 2 to start the Dell Diagnostics.
- 8 Select **Run the 32 Bit Dell Diagnostics** from the numbered list. If multiple versions are listed, select the version appropriate for your computer.
- 9 When the Dell Diagnostics **Main Menu** appears, select the test you want to run.


Dell Diagnostics Main Menu

- 1 After the Dell Diagnostics loads and the **Main Menu** screen appears, click the button for the option you want.

Option	Function
Express Test	Performs a quick test of devices. This test typically takes 10 to 20 minutes and requires no interaction on your part. Run Express Test first to increase the possibility of tracing the problem quickly.
Extended Test	Performs a thorough check of devices. This test typically takes an hour or more and requires you to answer questions periodically.
Custom Test	Tests a specific device. You can customize the tests you want to run.
Symptom Tree	Lists the most common symptoms encountered and allows you to select a test based on the symptom of the problem you are having.

- 2 If a problem is encountered during a test, a message appears with an error code and a description of the problem. Write down the error code and problem description and follow the instructions on the screen.

If you cannot resolve the error condition, contact Dell. For information on contacting Dell, see your online *User's Guide*.

 **NOTE:** The Service Tag for your computer is located at the top of each test screen. If you contact Dell, technical support will ask for your Service Tag.

- 3 If you run a test from the **Custom Test** or **Symptom Tree** option, click the applicable tab described in the following table for more information.

Tab	Function
Results	Displays the results of the test and any error conditions encountered.
Errors	Displays error conditions encountered, error codes, and the problem description.
Help	Describes the test and may indicate requirements for running the test.
Configuration	Displays your hardware configuration for the selected device. The Dell Diagnostics obtains configuration information for all devices from system setup, memory, and various internal tests, and it displays the information in the device list in the left pane of the screen. The device list may not display the names of all the components installed on your computer or all devices attached to your computer.
Parameters	You can customize the test by changing the test settings.

- 4 When the tests are completed, if you are running the Dell Diagnostics from the *Drivers and Utilities* CD (optional), remove the CD.
- 5 Close the test screen to return to the **Main Menu** screen. To exit the Dell Diagnostics and restart the computer, close the **Main Menu** screen.


System Lights

Your power light may indicate a computer problem.

Power Light	Problem Description	Suggested Resolution
Solid green	Power is on, and the computer is operating normally.	No corrective action is required.
Blinking green	The computer is in a power-saving mode.	Press the power button, move the mouse, or press a key on the keyboard to wake the computer.
Blinks green several times and then turns off	A configuration error exists.	Check Diagnostic Lights to see if the specific problem is identified (see "Diagnostic Lights" on page 50).
Solid yellow	A device on the system board may be faulty or incorrectly installed or the voltage selection switch on the power supply may be set incorrectly.	Check Diagnostic Lights to see if the specific problem is identified (see "Diagnostic Lights" on page 50). See "Power Problems" in your online <i>User's Guide</i> . If the computer does not boot, contact Dell for technical assistance. For information on contacting Dell, see your online <i>User's Guide</i> .
Blinking yellow	A power supply or system board failure has occurred.	Check Diagnostic Lights to see if the specific problem is identified (see "Diagnostic Lights" on page 50). See "Power Problems" in your online <i>User's Guide</i> . If the computer does not boot, contact Dell for technical assistance. For information on contacting Dell, see your online <i>User's Guide</i> .
Solid green and a beep code during POST	A problem was detected while the BIOS was executing.	For instructions on diagnosing the beep code see "Beep Codes" on page 52. Also, check Diagnostic Lights to see if the specific problem is identified.


Power Light	Problem Description	Suggested Resolution
Solid green power light, no beep code and no video during POST	The monitor or the graphics card may be faulty or incorrectly installed.	Check Diagnostic Lights to see if the specific problem is identified.
Solid green power light and no beep code, but the computer locks up during POST	An integrated system board device may be faulty.	Check Diagnostic Lights to see if the specific problem is identified. If the problem is not identified, contact Dell for technical assistance. For information on contacting Dell, see your online <i>User's Guide</i> .




Diagnostic Lights

 **CAUTION:** Before you begin any of the procedures in this section, follow the safety instructions in the *Product Information Guide*.




To help you troubleshoot a problem, your computer has four lights labeled "1," "2," "3," and "4" on the front or back panel. The lights can be "off" or green. When the computer starts normally, the patterns or codes on the lights change as the boot process completes. If the POST portion of system boot completes successfully, all four lights display solid green for a short time, and then turn off.

If the computer malfunctions during the POST process, the pattern displayed on the LEDs may help identify where in the process the computer halted. If the computer malfunctions after a successful POST, the diagnostic lights do not indicate the cause of the problem.

 **NOTE:** The orientation of the diagnostic lights may vary depending on the system type. The diagnostic lights can be either vertically or horizontally oriented.

Light Pattern	Problem Description	Suggested Resolution
	The computer is in a normal "off" condition, or a possible pre-BIOS failure has occurred. The diagnostic lights are not lit after the computer successfully boots to the operating system.	Plug the computer into a working electrical outlet and press the power button.
	A possible BIOS failure has occurred; the computer is in recovery mode.	Run the BIOS Recovery utility, wait for recovery completion, and then restart the computer.
	A possible processor failure has occurred.	Reinstall the processor and restart the computer. For information on reinstalling the processor, see your online <i>User's Guide</i> .

Light Pattern	Problem Description	Suggested Resolution
① ② ③ ④	Memory modules are detected, but a memory failure has occurred.	<ul style="list-style-type: none"> • If you have one memory module installed, reinstall it and restart the computer. For information on reinstalling memory modules, see your online <i>User's Guide</i>. • If you have two or more memory modules installed, remove the modules, reinstall one module, and then restart the computer. If the computer starts normally, reinstall an additional module. Continue until you have identified a faulty module or reinstalled all modules without error. • If available, install properly working memory of the same type into your computer. • If the problem persists, contact Dell. For information on contacting Dell, see your online <i>User's Guide</i>.
① ② ③ ④	A possible graphics card failure has occurred.	<ul style="list-style-type: none"> • If the computer has a graphics card, remove the card, reinstall it, and then restart the computer. • If the problem still exists, install a graphics card that you know works and restart the computer. • If the problem persists or the computer has integrated graphics, contact Dell. For information on contacting Dell, see your online <i>User's Guide</i>.
① ② ③ ④	A possible floppy or hard drive failure has occurred.	Reseat all power and data cables and restart the computer.
① ② ③ ④	A possible USB failure has occurred.	Reinstall all USB devices, check cable connections, and then restart the computer.

Light Pattern	Problem Description	Suggested Resolution
	No memory modules are detected.	<ul style="list-style-type: none"> • If you have one memory module installed, reinstall it and restart the computer. For information on reinstalling memory modules, see your online <i>User's Guide</i>. • If you have two or more memory modules installed, remove the modules, reinstall one module, and then restart the computer. If the computer starts normally, reinstall an additional module. Continue until you have identified a faulty module or reinstalled all modules without error. • If available, install properly working memory of the same type into your computer. • If the problem persists, contact Dell. For information on contacting Dell, see your online <i>User's Guide</i>.
	Memory modules are detected, but a memory configuration or compatibility error exists.	<ul style="list-style-type: none"> • Ensure that no special memory module/memory connector placement requirements exist. • Verify that the memory modules that you are installing are compatible with your computer. • If the problem persists, contact Dell. For information on contacting Dell, see your online <i>User's Guide</i>.
	<p>A failure has occurred.</p> <p>This pattern also displays when you enter system setup and may not indicate a problem.</p>	<ul style="list-style-type: none"> • Ensure that the cables are properly connected to the system board from the hard drive, CD drive, and DVD drive. • Check the computer message that appears on your monitor screen. • If the problem persists, contact Dell. For information on contacting Dell, see your online <i>User's Guide</i>.

Beep Codes

Your computer might emit a series of beeps during start-up if the monitor cannot display errors or problems. This series of beeps, called a beep code, identifies a problem. One possible beep code (code 1 3-1) consists of one beep, a burst of three beeps, and then one beep. This beep code tells you that the computer encountered a memory problem.

If your computer beeps during start-up:

- 1 Write down the beep code.
- 2 See "Dell Diagnostics" on page 46 to identify a more serious cause.
- 3 Contact Dell for technical assistance. For information on contacting Dell, see your online *User's Guide*.

Code	Cause	Code	Cause
1-1-2	Microprocessor register failure	3-1-4	Slave interrupt mask register failure
1-1-3	NVRAM read/write failure	3-2-2	Interrupt vector loading failure
1-1-4	ROM BIOS checksum failure	3-2-4	Keyboard Controller test failure
1-2-1	Programmable interval timer failure	3-3-1	NVRAM power loss
1-2-2	DMA initialization failure	3-3-2	Invalid NVRAM configuration
1-2-3	DMA page register read/write failure	3-3-4	Video Memory test failure
1-3	Video Memory test failure	3-4-1	Screen initialization failure
1-3-1 through 2-4-4	Memory not being properly identified or used	3-4-2	Screen retrace failure
3-1-1	Slave DMA register failure	3-4-3	Search for video ROM failure
3-1-2	Master DMA register failure	4-2-1	No timer tick
3-1-3	Master interrupt mask register failure	4-2-2	Shutdown failure
4-2-3	Gate A20 failure	4-4-1	Serial or parallel port test failure
4-2-4	Unexpected interrupt in protected mode	4-4-2	Failure to decompress code to shadowed memory
4-3-1	Memory failure above address 0FFFFh	4-4-3	Math-coprocessor test failure
4-3-3	Timer-chip counter 2 failure	4-4-4	Cache test failure
4-3-4	Time-of-day clock stopped		

Resolving Software and Hardware Incompatibilities


If a device is either not detected during the operating system setup or is detected but incorrectly configured, you can use the Hardware Troubleshooter to resolve the incompatibility.

- 1 Click the **Start** button and click **Help and Support**.
- 2 Type `hardware troubleshooter` in the **Search** field and click the arrow to start the search.

- 3 Click **Hardware Troubleshooter** in the **Search Results** list.
- 4 In the **Hardware Troubleshooter** list, click **I need to resolve a hardware conflict on my computer**, and click **Next**.

Using Microsoft Windows XP System Restore


The Microsoft Windows XP operating system provides System Restore to allow you to return your computer to an earlier operating state (without affecting data files) if changes to the hardware, software, or other system settings have left the computer in an undesirable operating state. See the Windows Help and Support Center for information on using System Restore. To access the Windows Help and Support Center, see "Windows Help and Support Center" on page 6.

 **NOTICE:** Make regular backups of your data files. System Restore does not monitor your data files or recover them.

Creating a Restore Point

- 1 Click the **Start** button and click **Help and Support**.
- 2 Click **System Restore**.
- 3 Follow the instructions on the screen.

Restoring the Computer to an Earlier Operating State

 **NOTICE:** Before you restore the computer to an earlier operating state, save and close any open files and exit any open programs. Do not alter, open, or delete any files or programs until the system restoration is complete.

- 1 Click the **Start** button, point to **All Programs**→**Accessories**→**System Tools**, and then click **System Restore**.
- 2 Ensure that **Restore my computer to an earlier time** is selected, and click **Next**.
- 3 Click a calendar date to which you want to restore your computer.

The **Select a Restore Point** screen provides a calendar that allows you to see and select restore points. All calendar dates with available restore points appear in boldface type.

- 4 Select a restore point and click **Next**.

If a calendar date has only one restore point, then that restore point is automatically selected. If two or more restore points are available, click the restore point that you prefer.


- 5 Click **Next**.

The **Restoration Complete** screen appears after System Restore finishes collecting data and then the computer restarts.

- 6 After the computer restarts, click **OK**.

To change the restore point, you can either repeat the steps using a different restore point, or you can undo the restoration.

Undoing the Last System Restore

 **NOTICE:** Before you undo the last system restore, save and close all open files and exit any open programs. Do not alter, open, or delete any files or programs until the system restoration is complete.

- 1 Click the **Start** button, point to **All Programs**→ **Accessories**→ **System Tools**, and then click **System Restore**.
- 2 Click **Undo my last restoration** and click **Next**.
- 3 Click **Next**.

The **System Restore** screen appears and the computer restarts.

- 4 After the computer restarts, click **OK**.


Enabling System Restore

If you reinstall Windows XP with less than 200 MB of free hard-disk space available, System Restore is automatically disabled. To verify that System Restore is enabled:

- 1 Click the **Start** button and click **Control Panel**.
- 2 Click **Performance and Maintenance**.
- 3 Click **System**.
- 4 Click the **System Restore** tab.
- 5 Ensure that **Turn off System Restore** is unchecked.

Reinstalling Microsoft Windows XP


Getting Started

 **NOTE:** The procedures in this document were written for the Windows default view in Windows XP Home Edition, so the steps will differ if you set your Dell computer to the Windows Classic view or are using Windows XP Professional.


If you are considering reinstalling the Windows XP operating system to correct a problem with a newly installed driver, first try using Windows XP Device Driver Rollback.


- 1 Click the **Start** button and click **Control Panel**.
- 2 Under **Pick a Category**, click **Performance and Maintenance**.
- 3 Click **System**.
- 4 In the **System Properties** window, click the **Hardware** tab.
- 5 Click **Device Manager**.
- 6 Right-click the device for which the new driver was installed and click **Properties**.
- 7 Click the **Drivers** tab.
- 8 Click **Roll Back Driver**.

If Device Driver Rollback does not resolve the problem, then use System Restore to return your operating system to the operating state it was in before you installed the new device driver (see "Using Microsoft Windows XP System Restore" on page 54).

 **NOTE:** The *Drivers and Utilities* CD contains drivers that were installed during assembly of the computer. Use the *Drivers and Utilities* CD to load any required drivers, including the drivers required if your computer has a RAID controller.

Reinstalling Windows XP

 **NOTICE:** You must use Windows XP Service Pack 1 or later when you reinstall Windows XP.


 **NOTICE:** Before performing the installation, back up all data files on your primary hard drive. For conventional hard drive configurations, the primary hard drive is the first drive detected by the computer.


To reinstall Windows XP, you need the following items:

- Dell *Operating System* CD
- Dell *Drivers and Utilities* CD

To reinstall Windows XP, perform all the steps in the following sections in the order in which they are listed.

The reinstallation process can take 1 to 2 hours to complete. After you reinstall the operating system, you must also reinstall the device drivers, virus protection program, and other software.

 **NOTICE:** The *Operating System* CD provides options for reinstalling Windows XP. The options can overwrite files and possibly affect programs installed on your hard drive. Therefore, do not reinstall Windows XP unless a Dell technical support representative instructs you to do so.

 **NOTICE:** To prevent conflicts with Windows XP, disable any virus protection software installed on your computer before you reinstall Windows XP. See the documentation that came with the software for instructions.

Booting From the Operating System CD

- 1 Save and close any open files and exit any open programs.
- 2 Insert the *Operating System* CD. Click **Exit** if the **Install Windows XP** message appears.
- 3 Restart the computer.
- 4 Press <F12> immediately after the **DELL** logo appears.

If the operating system logo appears, wait until you see the Windows desktop, and then shut down the computer and try again.

- 5 Press the arrow keys to select **CD-ROM**, and press <Enter>.
- 6 When the **Press any key to boot from CD** message appears, press any key.

Windows XP Setup

- 1 When the **Windows XP Setup** screen appears, press <Enter> to select **To set up Windows now**.
- 2 Read the information on the **Microsoft Windows Licensing Agreement** screen, and press <F8> to accept the license agreement.
- 3 If your computer already has Windows XP installed and you want to recover your current Windows XP data, type **r** to select the repair option, and remove the CD.
- 4 If you want to install a new copy of Windows XP, press <Esc> to select that option.
- 5 Press <Enter> to select the highlighted partition (recommended), and follow the instructions on the screen.

The **Windows XP Setup** screen appears, and the operating system begins to copy files and install the devices. The computer automatically restarts multiple times.



NOTE: The time required to complete the setup depends on the size of the hard drive and the speed of your computer.



NOTICE: Do not press any key when the following message appears: Press any key to boot from the CD.

- 6 When the **Regional and Language Options** screen appears, select the settings for your location and click **Next**.
- 7 Enter your name and organization (optional) in the **Personalize Your Software** screen, and click **Next**.
- 8 At the **Computer Name and Administrator Password** window, enter a name for your computer (or accept the one provided) and a password, and click **Next**.
- 9 If the **Modem Dialing Information** screen appears, enter the requested information and click **Next**.
- 10 Enter the date, time, and time zone in the **Date and Time Settings** window, and click **Next**.
- 11 If the **Networking Settings** screen appears, click **Typical** and click **Next**.
- 12 If you are reinstalling Windows XP Professional and you are prompted to provide further information regarding your network configuration, enter your selections. If you are unsure of your settings, accept the default selections.


Windows XP installs the operating system components and configures the computer. The computer automatically restarts.



NOTICE: Do not press any key when the following message appears: Press any key to boot from the CD.


- 13 When the **Welcome to Microsoft** screen appears, click **Next**.
- 14 When the **How will this computer connect to the Internet?** message appears, click **Skip**.
- 15 When the **Ready to register with Microsoft?** screen appears, select **No, not at this time** and click **Next**.
- 16 When the **Who will use this computer?** screen appears, you can enter up to five users.
- 17 Click **Next**.

- 18 Click **Finish** to complete the setup, and remove the CD.
- 19 Reinstall the appropriate drivers with the *Drivers and Utilities* CD.
- 20 Reinstall your virus protection software.
- 21 Reinstall your programs.

 **NOTE:** To reinstall and activate your Microsoft Office or Microsoft Works Suite programs, you need the Product Key number located on the back of the Microsoft Office or Microsoft Works Suite CD sleeve.

Using the Drivers and Utilities CD

To use the *Drivers and Utilities* CD (*ResourceCD*) while you are running the Windows operating system.

 **NOTE:** To access device drivers and user documentation, you must use the *Drivers and Utilities* CD while you are running Windows.

- 1 Turn on the computer and allow it to boot to the Windows desktop.
- 2 Insert the *Drivers and Utilities* CD into the CD drive.

If you are using the *Drivers and Utilities* CD for the first time on this computer, the **ResourceCD Installation** window opens to inform you that the *Drivers and Utilities* CD is about to begin installation.

- 3 Click **OK** to continue.

To complete the installation, respond to the prompts offered by the installation program.

- 4 Click **Next** at the **Welcome Dell System Owner** screen.

Select the appropriate **System Model**, **Operating System**, **Device Type**, and **Topic**.

Drivers for Your Computer

To display a list of device drivers for your computer:

- 1 Click **My Drivers** in the **Topic** drop-down menu.

The *Drivers and Utilities* CD (optional) scans your computer's hardware and operating system, and then a list of device drivers for your system configuration is displayed on the screen.

- 2 Click the appropriate driver and follow the instructions to download the driver to your computer.

To view all available drivers for your computer, click **Drivers** from the **Topic** drop-down menu.

Index

B

beep codes, 52

C

CDs

operating system, 6

conflicts

software and hardware
incompatibilities, 53

cover

removing, 24

D

Dell Diagnostics, 46

Dell support site, 7

diagnostics

beep codes, 52

Dell Diagnostics, 46

documentation

End User License
Agreement, 6

ergonomics, 6

online, 7

Product Information Guide, 6

regulatory, 6

safety, 6

User's Guide, 5

warranty, 6

drivers

list of, 58

Drivers and Utilities CD, 5

E

End User License

Agreement, 6

ergonomics information, 6

error messages

beep codes, 52

diagnostic lights, 50

system lights, 49

H

hardware

beep codes, 52

conflicts, 53

Dell Diagnostics, 46

Hardware Troubleshooter, 53

Help and Support Center, 6

help file

Windows Help and Support
Center, 6

I

installing parts

before you begin, 25

IRQ conflicts, 53

L

labels

Microsoft Windows, 7

Service Tag, 7

lights

diagnostic, 50

power, 14, 18

system, 49

M

motherboard. *See* system
board

O

operating system

reinstalling, 6

reinstalling Windows XP, 55

Operating System CD, 6

P

power

light, 14, 18

power light

diagnosing problems with, 49

problems. *See troubleshooting*

Product Information Guide, 6

R

regulatory information, 6
reinstalling
 Windows XP, 55

S

safety instructions, 6
Service Tag, 7
software
 conflicts, 53
support website, 7
system board, 33, 36, 42
System Restore, 54

T

troubleshooting
 beep codes, 52
 conflicts, 53
 Dell Diagnostics, 46
 diagnostic lights, 50
 Hardware Troubleshooter, 53
 Help and Support Center, 6
 restore computer to previous
 operating state, 54
 system lights, 49

U

User's Guide, 5

W

warranty information, 6
Windows XP
 Hardware Troubleshooter, 53
 Help and Support Center, 6
 reinstalling, 6, 55
 setup, 57
 System Restore, 54

Dell™ OptiPlex™ 745

Guia de referência rápida

Modelos DCTR, DCNE, DCSM e DCCY

www.dell.com | support.dell.com

Download from Www.Somanuals.com. All Manuals Search And Download.

Notas, Avisos e Advertências



NOTA: Uma NOTA indica informações importantes que ajudam você a usar melhor o computador.



AVISO: Um AVISO indica um potencial de danos ao hardware ou a perda de dados e descreve como evitar o problema.



ADVERTÊNCIA: Uma ADVERTÊNCIA indica um potencial de danos ao equipamento, de lesões corporais ou mesmo de morte.

Se você adquiriu um computador Dell™ Série n, quaisquer referências deste documento a sistemas operacionais Microsoft® Windows® não se aplicam.

As informações deste documento estão sujeitas a alterações sem aviso prévio.

© 2006 Dell Inc. Todos os direitos reservados.

Qualquer forma de reprodução deste produto sem a permissão por escrito da Dell Inc. é estritamente proibida.

Marcas comerciais usadas neste texto: *Dell*, o logotipo *DELL*, *Inspiron*, *Dell Precision*, *Dimension*, *OptiPlex*, *Latitude*, *PowerEdge*, *PowerVault*, *PowerApp* e *Dell OpenManage* são marcas comerciais da Dell Inc.; *Intel*, *Pentium* e *Celeron* são marcas comerciais registradas da Intel Corporation; *Microsoft* e *Windows* são marcas comerciais registradas da Microsoft Corporation.

Outros nomes e marcas comerciais podem ser usados neste documento como referência às entidades que reivindicam essas marcas e nomes ou a seus produtos. A Dell Inc. declara que não tem interesse de propriedade sobre marcas comerciais e nomes de terceiros.

Modelos DCTR, DCNE, DCSM e DCCY

Agosto de 2006

P/N JH476

Rev. A00

Índice

Como obter informações.	65
Vistas do sistema	68
Computador minitorre — Vista frontal	68
Computador minitorre — Vista traseira	70
Computador minitorre — Conectores do painel traseiro	71
Computador de mesa — Vista frontal	73
Computador de mesa — Vista traseira.	74
Computador de mesa — Conectores do painel traseiro	75
Computador de fator de forma pequeno — Vista frontal	77
Computador de fator de forma pequeno — Vista traseira	78
Computador de fator de forma pequeno — Conectores do painel traseiro.	79
Computador de fator de forma ultrapequeno — Vista frontal	81
Computador de fator de forma ultrapequeno — Vista lateral	82
Computador de fator de forma ultrapequeno — Vista traseira	83
Computador de fator de forma ultrapequeno — Conectores do painel traseiro.	83
Como remover a tampa do computador	85
Antes de começar	85
Computador minitorre.	86
Computador de mesa	87
Computador de fator de forma pequeno	89
Computador de fator de forma ultrapequeno.	90
Parte interna do computador	92
Computador minitorre.	92
Computador de mesa	95
Computador de fator de forma pequeno	98
Computador de fator de forma ultra pequeno	101
Como configurar o computador	103
Configurar o teclado e o mouse	105
Instalar o monitor	105
Conexões de energia	106

Solução de problemas	106
Dell Diagnostics.	106
Luzes do sistema	109
Luzes de diagnóstico	110
Códigos de bipe.	113
Como solucionar problemas de incompatibilidade de software e hardware	114
Como usar o recurso "Restauração do sistema" do Microsoft® Windows® XP.	114
Como reinstalar o Microsoft Windows XP	115
Como usar o CD "Drivers and Utilities"	118
Drivers para o computador.	118
 Índice remissivo	 119

Como obter informações

NOTA: Alguns recursos ou mídia podem ser opcionais e, por esta razão, não serem fornecidos com o seu computador. Alguns recursos ou mídias podem não estar disponíveis em certos países.

NOTA: Informações adicionais poderão ser fornecidas com o seu computador.

O que você está procurando?

- Um programa de diagnóstico para o computador
- Drivers para o computador
- Documentação do computador
- Documentação do dispositivo
- DSS (Desktop System Software)

Encontre aqui

CD Drivers and Utilities (ResourceCD)

NOTA: O CD *Drivers and Utilities* (Drivers e utilitários) é opcional e pode não ser fornecido com todos os computadores.

A documentação e os drivers já estão instalados no computador. Você pode usar o CD para reinstalar drivers (consulte “Como usar o CD “Drivers and Utilities”” na página 118), executar o Dell Diagnostics (consulte “Dell Diagnostics” na página 106) ou para acessar a documentação.



O CD pode conter arquivos Readme (Leiamos) para fornecer as atualizações mais recentes sobre alterações técnicas no computador ou material de referência técnica avançada para técnicos ou usuários experientes.

NOTA: Para encontrar atualizações de drivers e documentação, vá para o site de suporte da Dell em support.dell.com (em inglês).

- Como remover e trocar peças
- Especificações
- Como configurar os parâmetros do sistema
- Como identificar e solucionar problemas

Guia do Usuário do Dell™ OptiPlex™

Centro de ajuda e suporte do Microsoft® Windows® XP

1 Clique em Iniciar → Ajuda e suporte → Dell User and System Guides (Guias do usuário e do sistema Dell) → System Guides (Guias do sistema).

2 Clique no *guia do usuário* do seu computador.

O *guia do usuário* está disponível também no CD opcional *Drivers and Utilities* (Drivers e utilitários).

O que você está procurando?

- Informações sobre garantia
- Termos e condições (somente para os EUA)
- Instruções de segurança
- Informações de normalização
- Informações de ergonomia
- Contrato de licença do usuário final

Encontre aqui

Guia de Informações do Produto Dell™



-
- Como reinstalar o sistema operacional

CD do sistema operacional

NOTA: O CD do *sistema operacional* pode ser opcional e talvez não seja fornecido com o seu computador.

O sistema operacional já está instalado no computador. Para reinstalar o sistema operacional, use o CD do *sistema operacional* (consulte “Como reinstalar o Microsoft Windows XP” na página 115).



Após instalar o sistema operacional, use o CD opcional *Drivers and Utilities (ResourceCD)* para reinstalar os drivers dos dispositivos fornecidos com o computador. Para obter mais informações, consulte “CD

Drivers and Utilities (ResourceCD)” na página 65.

A etiqueta da chave do produto do sistema operacional está localizada no próprio computador (consulte “etiqueta de serviço e chave do produto Microsoft® Windows®” na página 67).

NOTA: A cor do CD do *sistema operacional* varia de acordo com o sistema que você adquiriu.

-
- Como usar o Windows® XP
 - Como trabalhar com programas e arquivos
 - Como personalizar minha área de trabalho

Centro de ajuda e suporte do Windows

- 1 Clique em **Iniciar** → **Ajuda e suporte**.
- 2 Digite uma palavra ou expressão que descreva o seu problema e clique no ícone de seta.
- 3 Clique no tópico que descreve o problema.
- 4 Siga as instruções apresentadas na tela.

O que você está procurando?

- Código de serviço expresso e etiqueta de serviço
- Etiqueta da chave do produto Microsoft Windows

Encontre aqui

etiqueta de serviço e chave do produto Microsoft® Windows®

Essas etiquetas estão localizadas em seu computador.

- Use a etiqueta de serviço para identificar o seu computador quando acessar o site support.dell.com (em inglês) ou quando entrar em contato com o serviço de suporte.
- Digite o código de serviço expresso para direcionar a sua chamada ao entrar em contato com o serviço de suporte.



-
- Solutions (Soluções) — Dicas para solução de problemas, artigos escritos por técnicos, cursos on-line e perguntas freqüentes
 - Community (Comunidade) — Discussões on-line com outros clientes da Dell
 - Upgrades (Atualizações) — Informações sobre atualizações de componentes, como memória, disco rígido e sistema operacional.
 - Customer Care (Serviço de atendimento ao cliente) — Informações de contato, chamadas de serviço e informações sobre status de pedidos, garantia e reparos
 - Service and Support (Serviço e suporte) — Status de chamadas de serviço e histórico de suporte, contrato de serviços e discussões on-line com o serviço de suporte
 - Reference (Referência) — Documentação do computador, detalhes sobre a configuração do computador, especificações de produtos e informativos oficiais
 - Downloads — Atualizações de software, patches e drivers certificados
 - Desktop System Software (DSS) — Se reinstalar o sistema operacional no seu computador, você deve reinstalar também o utilitário DSS. O DSS irá detectar automaticamente o seu computador e sistema operacional e instalar as atualizações adequadas para a sua configuração, fornecendo atualizações críticas para o seu sistema operacional e suporte a unidades de disquete USB de 3,5 polegadas da Dell™, processadores Intel®, unidades ópticas e dispositivos USB. O computador Dell precisa do DSS para funcionar corretamente.

Site de suporte da Dell — support.dell.com

NOTA: Selecione a sua região ou o seu segmento comercial para ver o site de suporte adequado.

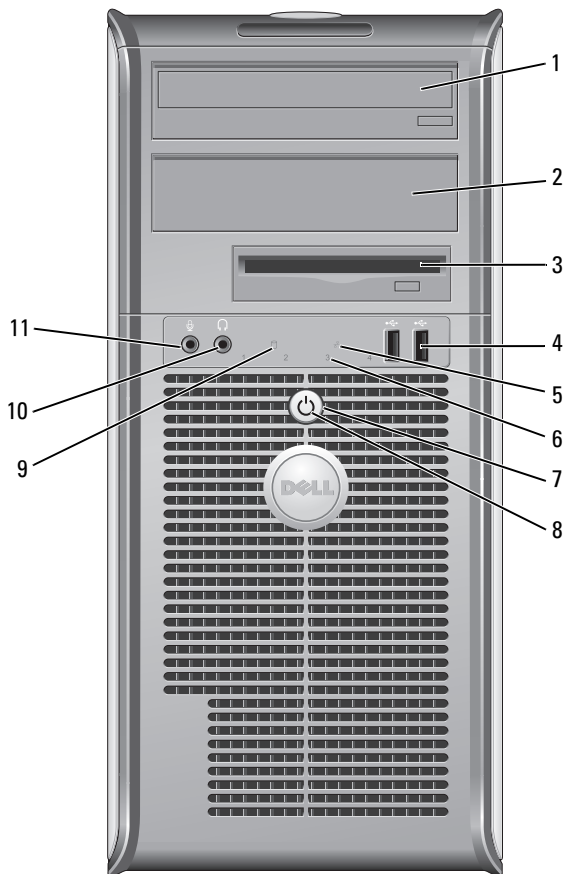
Para fazer o download do Desktop System Software:



- 1 Vá para o site support.dell.com (em inglês) e selecione a região ou o segmento comercial e digite a sua etiqueta de serviço.
- 2 Selecione **Drivers & Downloads** (Drivers e downloads) e depois clique em **Go** (Ir).
- 3 Clique no sistema operacional e depois procure a palavra-chave *Desktop System Software*.

NOTA: A interface do usuário do site support.dell.com (em inglês) pode variar dependendo das seleções que você fizer.

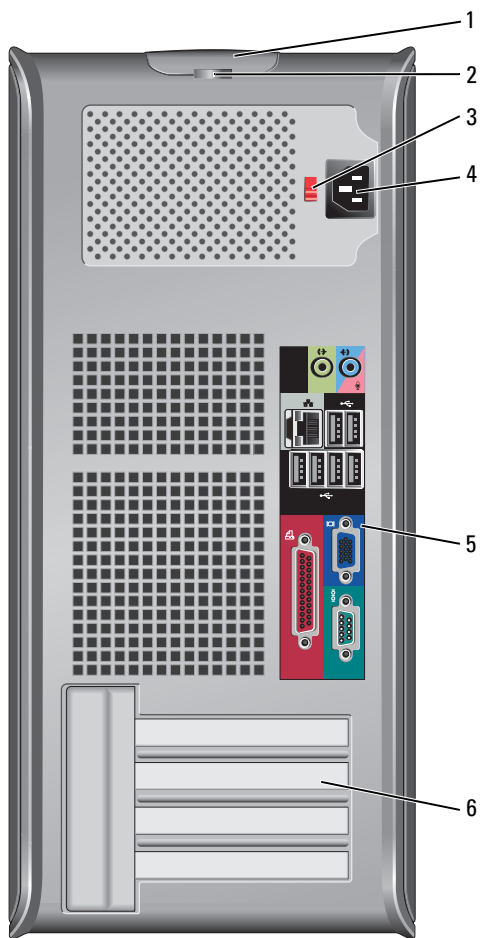
Vistas do sistema

Computador minitorre — Vista frontal



- | | | |
|----|---|--|
| 1 | compartimento de unidades de 5,25 polegadas | Pode conter uma unidade óptica. Insira um CD ou DVD (se suportado) nesta unidade. |
| 2 | compartimento de unidades de 5,25 polegadas | Pode conter uma unidade óptica. Insira um CD ou DVD (se suportado) nesta unidade. |
| 3 | compartimento de unidades de 3,5 polegadas | Pode conter uma unidade de disquete opcional ou um leitor de cartão de mídia opcional. |
| 4 | conectores USB 2.0 (2) | Use os conectores USB frontais para os dispositivos que você conecta de vez em quando, como joysticks ou câmeras, ou para dispositivos USB de inicialização (consulte o <i>guia do usuário</i> on-line para obter mais informações sobre dispositivos USB de inicialização).
É recomendável usar os conectores USB traseiros para dispositivos que geralmente permanecem conectados, como impressoras e teclados. |
| 5 | luz indicadora de rede (LAN) | Esta luz indica que uma conexão de rede local (LAN) está estabelecida. |
| 6 | luzes de diagnóstico | Use as luzes para ajudar a solucionar problemas de um computador com base no código de diagnóstico. Para obter mais informações, consulte “Luzes de diagnóstico” na página 110. |
| 7 | botão liga/desliga | Pressione esse botão para ligar o computador.
 AVISO: Para evitar a perda de dados, não use o botão liga/desliga para desligar o computador. Em vez disso, desligue-o através do sistema operacional. Consulte “Antes de começar” na página 85 para obter mais informações.
 AVISO: Se a ACPI estiver ativada, o computador é desligado através do sistema operacional quando você pressiona o botão liga/desliga. |
| 8 | luz de alimentação | A luz de alimentação acende e pisca ou permanece contínua para indicar diferentes modos de operação: <ul style="list-style-type: none"> • Apagada — O computador está desligado. • Verde contínuo — O computador está no estado operacional normal. • Verde piscando — O computador está no modo de economia de energia. • Âmbar contínuo ou piscando — Consulte o <i>guia do usuário</i> on-line. Para sair do modo de economia de energia, pressione o botão liga/desliga ou use o teclado ou o mouse se eles estiverem configurados como dispositivos de acionamento no Gerenciador de dispositivos do Windows. Para obter mais informações sobre os modos de repouso e como sair de um modo de economia de energia, consulte o <i>guia do usuário</i> on-line.
Consulte “Luzes do sistema” na página 109 para obter uma descrição dos códigos de luzes que podem ajudar na solução de problemas apresentados pelo computador. |
| 9 | luz de atividade do disco rígido | Esta luz irá piscar quando o disco rígido estiver sendo acessado. |
| 10 | conector do fone de ouvido | Use o conector de fone de ouvido para conectar fones de ouvido e a maioria dos tipos de alto-falantes. |
| 11 | conector do microfone | Use o conector de microfone para conectar um microfone. |

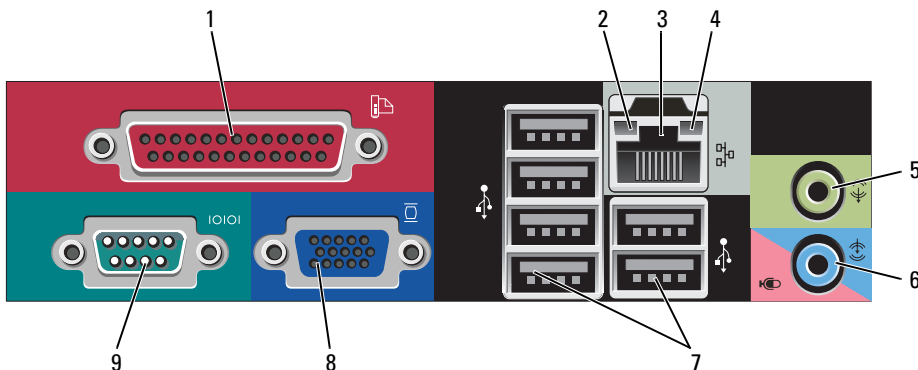
Computador minitorre — Vista traseira



- 1 trava de liberação da tampa Esta presilha abre a tampa do computador.
- 2 anel do cadeado Use um cadeado para travar a tampa do computador.

- | | | |
|---|-------------------------------|--|
| 3 | chave seletora de tensão | <p>O computador está equipado com uma chave seletora manual de tensão.</p> <p>Para ajudar a evitar danos a computadores que têm chave seletora manual de tensão, coloque a chave na posição que mais se aproxima da tensão CA (Corrente Alternada) disponível na sua área.</p> <p>➡ AVISO: A chave seletora de tensão precisa estar na posição 115V, embora no Japão a tensão seja de 100 V.</p> <p>Verifique também se o monitor e os dispositivos conectados são compatíveis com a alimentação CA disponível na sua área.</p> |
| 4 | conector de alimentação | Insira o cabo de alimentação. |
| 5 | conectores do painel traseiro | Plugue dispositivos seriais, USB e outros dispositivos nos conectores adequados (consulte “Computador minitorre — Conectores do painel traseiro” na página 71). |
| 6 | slots de placa | Acesse os conectores das placas PCI e PCI Express instaladas. |

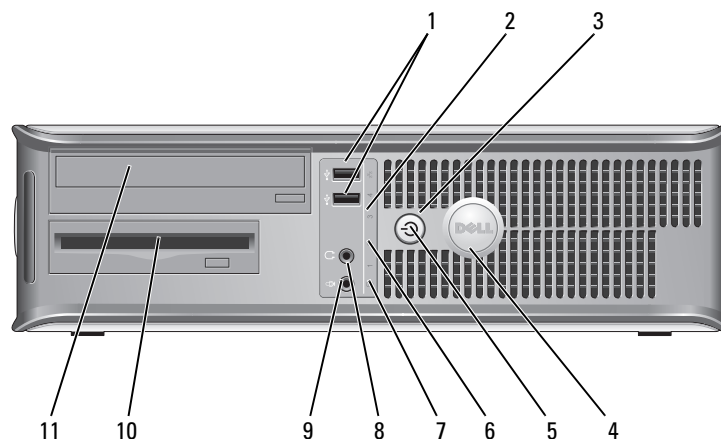
Computador minitorre — Conectores do painel traseiro



- | | | |
|---|-------------------------------|--|
| 1 | conector paralelo | <p>Conecte um dispositivo paralelo, como uma impressora, ao conector paralelo. Se você tiver uma impressora USB, conecte-a a um conector USB.</p> <p>NOTA: O conector paralelo integrado será desativado automaticamente se o computador detectar uma placa instalada que contenha um conector paralelo configurado com o mesmo endereço. Para obter mais informações, consulte: o guia do usuário on-line.</p> |
| 2 | luz de integridade de vínculo | <ul style="list-style-type: none"> • Verde — Boa conexão entre uma rede de 10 Mbps e o computador. • Laranja — Boa conexão entre uma rede de 100 Mbps e o computador. • Amarelo — Boa conexão entre uma rede de 1 Gbps (ou 1000 Mbps) e o computador. • Luz apagada — O computador não está detectando uma conexão física com a rede. |

- | | | |
|---|--|---|
| 3 | conector do adaptador de rede | <p>Para conectar o computador a uma rede ou a um dispositivo de banda larga, conecte uma extremidade de um cabo de rede a uma tomada de rede ou a um dispositivo de rede ou de banda larga. Conecte a outra extremidade do cabo ao conector do adaptador de rede no painel traseiro do computador. Um clique indica que o cabo de rede foi conectado com firmeza.</p> <p>NOTA: Não conecte um cabo de telefone ao conector de rede.</p> <p>Em computadores com placa de conector de rede, use o conector da placa.</p> <p>É recomendável usar cabeamento e conectores de categoria 5 para a rede. Se for necessário utilizar a fiação de Categoria 3, force a velocidade de rede para 10 Mbps a fim de assegurar uma operação confiável.</p> |
| 4 | luz de atividade da rede | <p>A luz amarela pisca quando o computador está transmitindo ou recebendo dados da rede. Um volume intenso de tráfego na rede pode dar a impressão de que a luz está constantemente acesa.</p> |
| 5 | conector de saída de linha | <p>Use o conector verde de saída de linha para conectar a maioria dos alto-falantes aos amplificadores integrados.</p> |
| 6 | conector de microfone/entrada de linha | <p>Use o conector azul e rosa de entrada de linha/microfone para conectar um dispositivo de gravação/reprodução, como um toca-fitas, tocador de CD ou VCR, por exemplo; ou um microfone de PC para entrada de voz ou música em um programa de som ou de telefonia.</p> |
| 7 | conectores USB 2.0 (6) | <p>Use os conectores USB traseiros para dispositivos que permanecem normalmente conectados, como impressoras e teclados.</p> |
| 8 | conector de vídeo | <p>Conecte o cabo do monitor compatível com VGA ao conector azul.</p> <p>NOTA: Se você tiver comprado uma placa gráfica adicional, este conector estará coberto por uma tampa. Conecte o monitor ao conector da placa gráfica. Não remova a tampa.</p> <p>NOTA: Se você estiver usando uma placa gráfica com suporte para dois monitores, use o cabo Y fornecido com o computador.</p> |
| 9 | conector serial | <p>Conecte um dispositivo serial, por exemplo, um dispositivo de mão, à porta serial. Os nomes padrão são COM1 para o conector serial 1 e COM2 para o conector serial 2.</p> <p>Para obter mais informações, consulte o <i>guia do usuário</i> on-line.</p> |

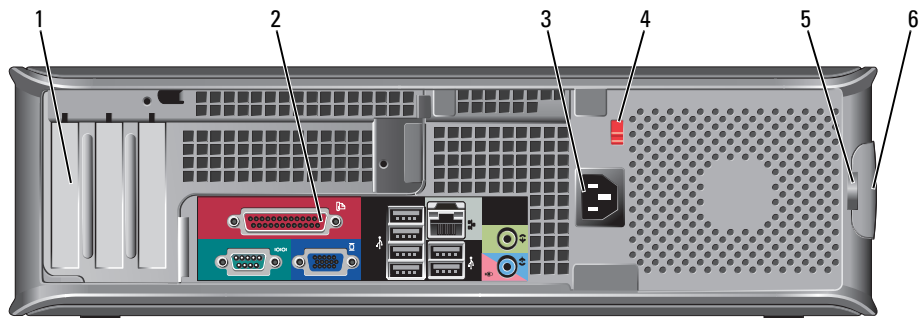
Computador de mesa — Vista frontal



- 1 conectores USB 2.0 (2) Use os conectores USB frontais para os dispositivos que você conecta de vez em quando, como joysticks ou câmeras, ou para dispositivos USB de inicialização (consulte o *guia do usuário* on-line para obter mais informações sobre dispositivos USB de inicialização).
É recomendável usar os conectores USB traseiros para dispositivos que geralmente permanecem conectados, como impressoras e teclados.
- 2 luz indicadora de rede (LAN) Esta luz indica que uma conexão de rede local (LAN) está estabelecida.
- 3 botão liga/desliga Pressione esse botão para ligar o computador.
➔ AVISO: Para evitar a perda de dados, não use o botão liga/desliga para desligar o computador. Em vez disso, desligue-o através do sistema operacional. Consulte "Antes de começar" na página 85 Para obter mais informações.
➔ AVISO: Se a ACPI estiver ativada, o computador é desligado através do sistema operacional quando você pressiona o botão liga/desliga.
- 4 símbolo da Dell Pode-se girar este símbolo para que ele corresponda à orientação do computador. Para girar faça o seguinte: com os dedos em volta da parte externa do símbolo, pressione com firmeza e vire-o. Você pode também usar o encaixe que se encontra próximo à base do símbolo para poder girá-lo.

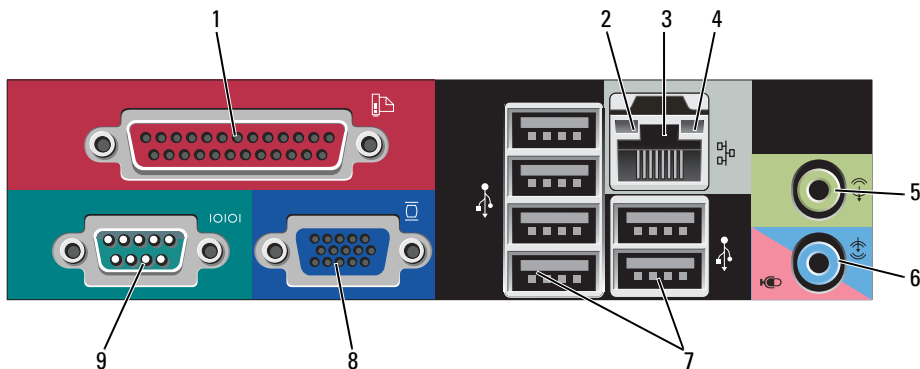
- 5 luz de energia A luz de energia acende e pisca ou permanece continuamente acesa para indicar diferentes estados de operação:
- Apagada — O computador está desligado.
 - Verde contínuo — O computador está no estado operacional normal.
 - Verde piscando — O computador está no modo de economia de energia.
 - Âmbar contínuo ou piscando — Consulte o *guia do usuário* on-line.
- Para sair do modo de economia de energia, pressione o botão liga/desliga ou use o teclado ou o mouse se eles estiverem configurados como dispositivos de acionamento no Gerenciador de dispositivos do Windows. Para obter mais informações sobre os modos de repouso e como sair de um modo de economia de energia, consulte o *guia do usuário* on-line.
- Consulte “Luzes do sistema” na página 109 para obter uma descrição dos códigos de luzes que podem ajudar na solução dos problemas apresentados pelo computador.
- 6 luzes de diagnóstico Use as luzes para ajudar a solucionar problemas de um computador com base no código de diagnóstico. Para obter mais informações, consulte: “Luzes de diagnóstico” na página 110.
- 7 luz de atividade do disco rígido Esta luz irá piscar quando o disco rígido estiver sendo acessado.
- 8 conector do fone de ouvido Use o conector de fone de ouvido para conectar fones de ouvido e a maioria dos tipos de alto-falantes.
- 9 conector do microfone Use o conector de microfone para conectar um microfone.
- 10 compartimento de unidade de 3,5 polegadas Pode conter uma unidade de disquete opcional ou um leitor de cartão de mídia opcional.
- 11 compartimento de unidades de 5,25 polegadas Pode conter uma unidade óptica. Insira um CD ou DVD (se suportado) nesta unidade.

Computador de mesa — Vista traseira



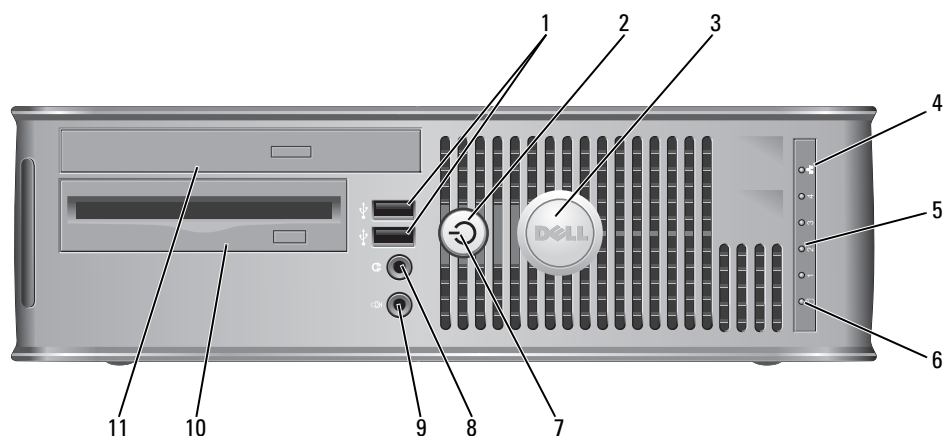
- | | | |
|---|-------------------------------|---|
| 1 | slots de placa | Acesse os conectores das placas PCI e PCI Express instaladas. |
| 2 | conectores do painel traseiro | Plugue dispositivos seriais, USB e outros dispositivos nos conectores adequados (consulte)“Computador de mesa — Conectores do painel traseiro” na página 75). |
| 3 | conector de alimentação | Insira o cabo de alimentação. |
| 4 | chave seletora de tensão | O computador está equipado com uma chave seletora manual de tensão.
Para ajudar a evitar danos a computadores com chave seletora manual de tensão, ajuste a chave para a tensão que mais se aproxime da energia CA (Corrente Alternada) disponível no local. |
| | | ⬅ AVISO: A chave de seleção de tensão precisa estar na posição 115V, embora no Japão a tensão seja de 100 V. |
| | | Verifique também se o monitor e os dispositivos conectados são compatíveis com a alimentação CA disponível na sua área. |
| 5 | anel do cadeado | Use um cadeado para travar a tampa do computador. |
| 6 | trava de liberação da tampa | Permite a você abrir a tampa do computador. |

Computador de mesa — Conectores do painel traseiro



- | | | |
|---|--|---|
| 1 | conector paralelo | <p>Conecte um dispositivo paralelo, como uma impressora, ao conector paralelo. Se você tiver uma impressora USB, conecte-a a um conector USB.</p> <p>NOTA: O conector paralelo integrado será desativado automaticamente se o computador detectar uma placa instalada que contenha um conector paralelo configurado com o mesmo endereço. Para obter mais informações, consulte o <i>guia do usuário</i> on-line.</p> |
| 2 | luz de integridade de vínculo | <ul style="list-style-type: none"> • Verde — Boa conexão entre uma rede de 10 Mbps e o computador. • Laranja — Boa conexão entre uma rede de 100 Mbps e o computador. • Amarelo — Boa conexão entre uma rede de 1 Gbps (ou 1000 Mbps) e o computador. • Luz apagada — O computador não está detectando uma conexão física com a rede. |
| 3 | conector do adaptador de rede | <p>Para conectar o computador a uma rede ou a um dispositivo de banda larga, conecte uma extremidade de um cabo de rede a uma tomada de rede ou a um dispositivo de rede ou de banda larga. Conecte a outra extremidade do cabo ao conector do adaptador de rede no painel traseiro do computador. Um clique indica que o cabo de rede foi conectado com firmeza.</p> <p>NOTA: Não conecte um cabo de telefone ao conector de rede.</p> <p>Em computadores com placa de conector de rede, use o conector da placa.</p> <p>É recomendável usar cabeamento e conectores de categoria 5 para a rede. Se for necessário utilizar a fiação de Categoria 3, force a velocidade de rede para 10 Mbps a fim de assegurar uma operação confiável.</p> |
| 4 | luz de atividade da rede | <p>A luz amarela pisca quando o computador está transmitindo ou recebendo dados da rede. Um volume intenso de tráfego na rede pode dar a impressão de que a luz está constantemente acesa.</p> |
| 5 | conector de saída de linha | <p>Use o conector verde de saída de linha para conectar a maioria dos alto-falantes aos amplificadores integrados.</p> |
| 6 | conector de microfone/entrada de linha | <p>Use o conector azul e rosa de entrada de linha/microfone para conectar um dispositivo de gravação/reprodução, como um toca-fitas, tocador de CD ou VCR, por exemplo; ou um microfone de PC para entrada de voz ou música em um programa de som ou de telefonia.</p> |
| 7 | conectores USB 2.0 (6) | <p>Use os conectores USB traseiros para dispositivos que permanecem normalmente conectados, como impressoras e teclados.</p> |
| 8 | conector de vídeo | <p>Conecte o cabo do monitor compatível com VGA ao conector azul.</p> <p>NOTA: Se você tiver comprado uma placa gráfica adicional, este conector estará coberto por uma tampa. Conecte o monitor ao conector da placa gráfica. Não remova a tampa.</p> <p>NOTA: Se você estiver usando uma placa gráfica com suporte para dois monitores, use o cabo Y fornecido com o computador.</p> |
| 9 | conector serial | <p>Conecte um dispositivo serial, por exemplo, um dispositivo de mão, à porta serial. Os nomes padrão são COM1 para o conector serial 1 e COM2 para o conector serial 2.</p> <p>Para obter mais informações, consulte o <i>guia do usuário</i> on-line.</p> |

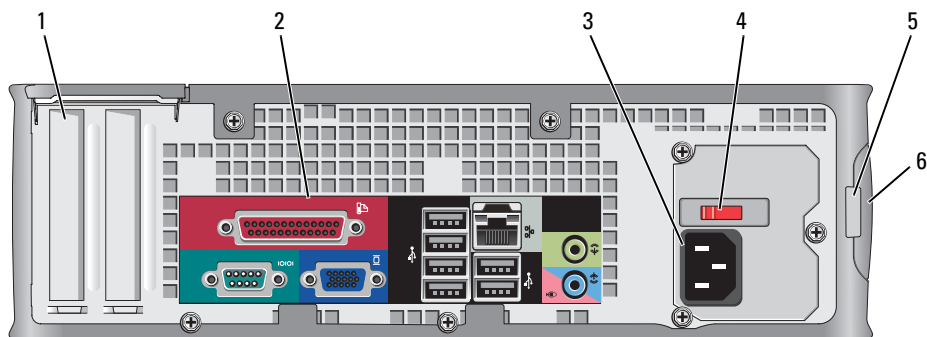
Computador de fator de forma pequeno — Vista frontal



- 1** conectores USB 2.0 (2) Use os conectores USB frontais para os dispositivos que você conecta de vez em quando, como joysticks ou câmeras, ou para dispositivos USB de inicialização (consulte o *guia do usuário* on-line para obter mais informações sobre dispositivos USB de inicialização).
É recomendável usar os conectores USB traseiros para dispositivos que geralmente permanecem conectados, como impressoras e teclados.
- 2** botão liga/desliga Pressione para ligar o computador.
➔ AVISO: Para evitar a perda de dados, não use o botão liga/desliga para desligar o computador. Em vez disso, desligue-o através do sistema operacional. Consulte “Antes de começar” na página 85 Para obter mais informações.
➔ AVISO: Se a ACPI estiver ativada, o computador é desligado através do sistema operacional quando você pressiona o botão liga/desliga.
- 3** símbolo da Dell Pode ser girado para corresponder à orientação do seu computador. Para girar faça o seguinte: com os dedos em volta da parte externa do símbolo, pressione com firmeza e vire-o. Você pode também usar o encaixe que se encontra próximo à base do símbolo para poder girá-lo.
- 4** luz indicadora de rede (LAN) indica que uma conexão de rede local (LAN) está estabelecida.
- 5** luzes de diagnóstico Use as luzes para ajudar a solucionar problemas de um computador com base no código de diagnóstico. Para obter mais informações, consulte “Luzes de diagnóstico” na página 110.
- 6** luz de atividade do disco rígido Esta luz irá piscar quando o disco rígido estiver sendo acessado.

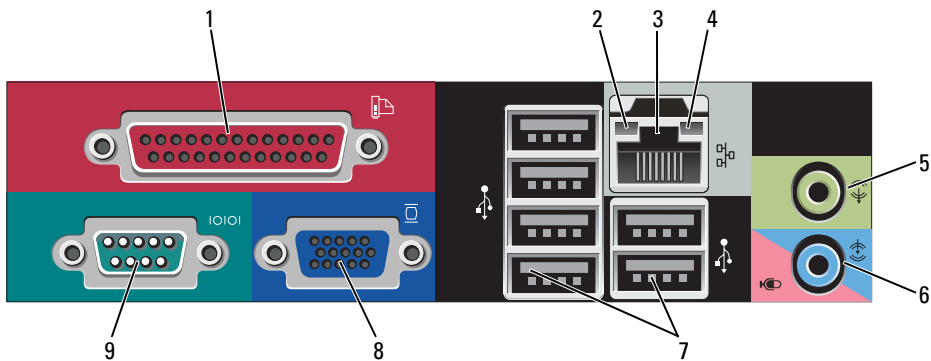
- | | | |
|----|---|---|
| 7 | luz de energia | <p>A luz de energia acende e pisca ou permanece continuamente acesa para indicar diferentes estados de operação:</p> <ul style="list-style-type: none"> • Apagada — O computador está desligado. • Verde contínuo — O computador está no estado operacional normal. • Verde piscando — O computador está no modo de economia de energia. • Âmbar contínuo ou piscando — Consulte o <i>guia do usuário</i> on-line. <p>Para sair do modo de economia de energia, pressione o botão liga/desliga ou use o teclado ou o mouse se eles estiverem configurados como dispositivos de acionamento no Gerenciador de dispositivos do Windows. Para obter mais informações sobre os modos de repouso e como sair de um modo de economia de energia, consulte no <i>guia do usuário</i> on-line.</p> <p>Consulte “Luzes do sistema” na página 109 para obter uma descrição dos códigos de luzes que podem ajudar você a identificar e solucionar os problemas apresentados pelo seu computador.</p> |
| 8 | conector do fone de ouvido | Use o conector de fone de ouvido para conectar fones de ouvido e a maioria dos tipos de alto-falantes. |
| 9 | conector do microfone | Use o conector de microfone para conectar um microfone. |
| 10 | compartimento de unidade de 3,5 polegadas | Pode conter uma unidade de disquete opcional ou um leitor de cartão de mídia opcional. |
| 11 | compartimento de unidades de 5,25 polegadas | Pode conter uma unidade óptica. Insira um CD ou DVD (se suportado) nesta unidade. |

Computador de fator de forma pequeno — Vista traseira



- | | | |
|---|-------------------------------|---|
| 1 | slots de placa | Acesse os conectores das placas PCI e PCI Express instaladas. |
| 2 | conectores do painel traseiro | Plugue dispositivos seriais, USB e outros dispositivos nos conectores adequados (consulte “Computador de fator de forma pequeno — Conectores do painel traseiro” na página 79). |
| 3 | conector de alimentação | Insira o cabo de alimentação. |
| 4 | chave seletora de tensão | O computador está equipado com uma chave seletora manual de tensão.
Para ajudar a evitar danos a computadores com chave seletora manual de tensão, ajuste a chave para a tensão que mais se aproxime da energia CA (Corrente Alternada) disponível no local. |
| | | ⚠️ AVISO: A chave de seleção de tensão precisa estar na posição 115V, embora no Japão a tensão seja de 100 V. |
| | | Verifique também se o monitor e os dispositivos conectados são compatíveis com a alimentação CA disponível na sua área. |
| 5 | anel do cadeado | Use um cadeado para travar a tampa do computador. |
| 6 | trava de liberação da tampa | Permite a você abrir a tampa do computador. |

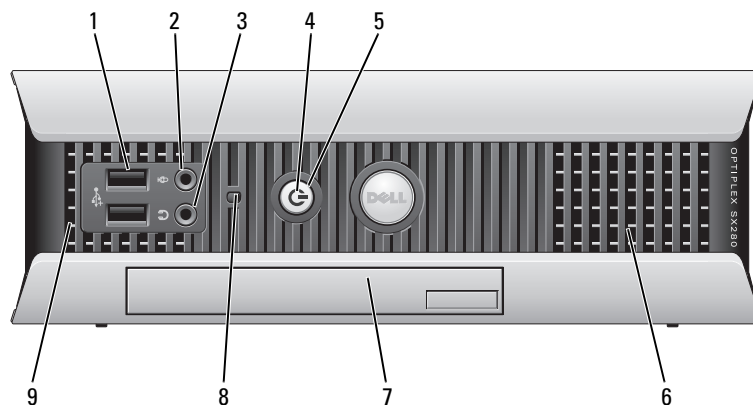
Computador de fator de forma pequeno — Conectores do painel traseiro



- | | | |
|---|--|---|
| 1 | conector paralelo | <p>Conecte um dispositivo paralelo, como uma impressora, ao conector paralelo. Se você tiver uma impressora USB, conecte-a a um conector USB.</p> <p>NOTA: O conector paralelo integrado será desativado automaticamente se o computador detectar uma placa instalada que contenha um conector paralelo configurado com o mesmo endereço. Para obter mais informações, consulte o <i>guia do usuário</i> on-line.</p> |
| 2 | luz de integridade de vínculo | <ul style="list-style-type: none"> • Verde — Boa conexão entre uma rede de 10 Mbps e o computador. • Laranja — Boa conexão entre uma rede de 100 Mbps e o computador. • Amarelo — Boa conexão entre uma rede de 1 Gbps ou 1000 Mbps) e o computador. • Luz apagada — O computador não está detectando uma conexão física com a rede. |
| 3 | conector do adaptador de rede | <p>Para conectar o computador a uma rede ou a um dispositivo de banda larga, conecte uma extremidade de um cabo de rede a uma tomada de rede ou a um dispositivo de rede ou de banda larga. Conecte a outra extremidade do cabo ao conector do adaptador de rede no painel traseiro do computador. Um clique indica que o cabo de rede foi conectado com firmeza.</p> <p>NOTA: Não conecte um cabo de telefone ao conector de rede.</p> <p>Em computadores com placa de conector de rede, use o conector da placa.</p> <p>É recomendável usar cabeamento e conectores de categoria 5 para a rede. Se for necessário utilizar a fiação de Categoria 3, force a velocidade de rede para 10 Mbps a fim de assegurar uma operação confiável.</p> |
| 4 | luz de atividade da rede | <p>A luz amarela pisca quando o computador está transmitindo ou recebendo dados da rede. Um volume intenso de tráfego na rede pode dar a impressão de que a luz está constantemente acesa.</p> |
| 5 | conector de saída de linha | <p>Use o conector verde de saída de linha (disponível em computadores com som integrado) para conectar a maioria dos alto-falantes aos amplificadores integrados.</p> |
| 6 | conector de microfone/entrada de linha | <p>Use o conector azul e rosa de entrada de linha/microfone (disponível em computadores com som integrado) para conectar um dispositivo de gravação/reprodução, como um toca-fitas, tocador de CD ou VCR, por exemplo; ou um microfone de PC para entrada de voz ou música em um programa de som ou de telefonia.</p> |
| 7 | conectores USB 2.0 (6) | <p>Use os conectores USB traseiros para dispositivos que permanecem normalmente conectados, como impressoras e teclados.</p> |

- 8 conector de vídeo Conecte o cabo do monitor compatível com VGA ao conector azul.
NOTA: Se você tiver comprado uma placa gráfica adicional, este conector estará coberto por uma tampa. Conecte o monitor ao conector da placa gráfica. Não remova a tampa.
NOTA: Se você estiver usando uma placa gráfica com suporte para dois monitores, use o cabo Y fornecido com o computador.
- 9 conector serial Conecte um dispositivo serial, por exemplo, um dispositivo de mão, à porta serial. Os nomes padrão são COM1 para o conector serial 1 e COM2 para o conector serial 2.
 Para obter mais informações, consulte o *guia do usuário* on-line.

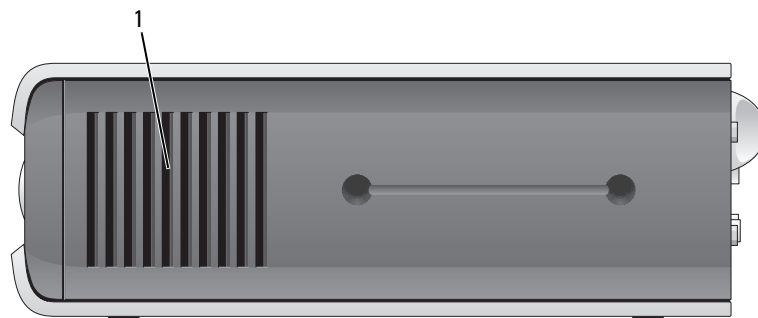
Computador de fator de forma ultrapequeno — Vista frontal



- 1 conectores USB (2) Use os conectores USB frontais para os dispositivos que você conecta de vez em quando, como joysticks ou câmeras, ou para dispositivos USB de inicialização (consulte o *guia do usuário* on-line para obter mais informações sobre dispositivos USB de inicialização).
 É recomendável usar os conectores USB traseiros para dispositivos que geralmente permanecem conectados, como impressoras e teclados.
- 2 conector do fone de ouvido Use o conector de fone de ouvido para conectar fones de ouvido e a maioria dos tipos de alto-falantes.
- 3 conector do microfone Use o conector de microfone para conectar um microfone.

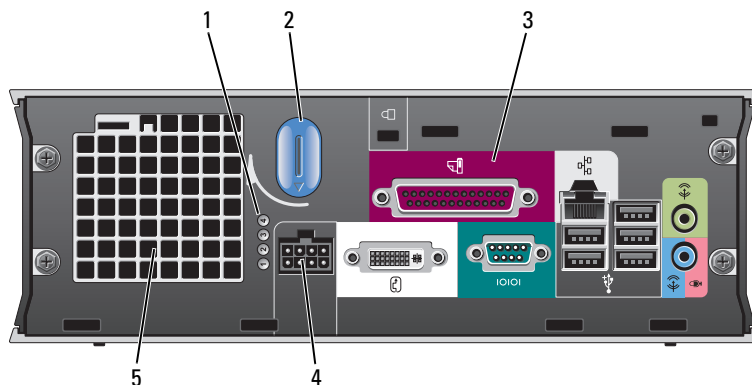
- | | | |
|---|-------------------------------|---|
| 4 | luz de alimentação | <p>A luz de alimentação acende e pisca ou permanece sólida para indicar estados diferentes:</p> <ul style="list-style-type: none"> • Apagada — O computador está desligado. • Verde contínuo — O computador está no estado operacional normal. • Verde piscando — O computador está no modo de economia de energia. • Amarelo contínuo ou piscando — Consulte o <i>guia do usuário</i> on-line. <p>Para sair do modo de economia de energia, pressione o botão liga/desliga ou use o teclado ou o mouse se eles estiverem configurados como dispositivos de acionamento no Gerenciador de dispositivos do Windows. Para obter mais informações sobre os modos de repouso e como sair de um modo de economia de energia, consulte o <i>guia do usuário</i> on-line.</p> <p>Consulte “Luzes do sistema” na página 109 para obter uma descrição dos códigos de luzes que podem ajudar você a solucionar os problemas apresentados pelo computador.</p> |
| 5 | botão liga/desliga | <p>Pressione esse botão para ligar o computador.</p> <p>➡ AVISO: Para evitar a perda de dados, não use o botão liga/desliga para desligar o computador. Em vez disso, desligue-o através do sistema operacional. Consulte “Antes de começar” na página 85 Para obter mais informações.</p> |
| 6 | aberturas de ventilação | <p>As aberturas de ventilação evitam que o computador fique superaquecido. Para garantir a ventilação adequada, não bloqueie estas aberturas.</p> |
| 7 | compartimento de módulos | <p>Instale uma unidade óptica D-module, um segundo disco rígido ou uma unidade de disquete no compartimento de módulos.</p> |
| 8 | luz de acesso do disco rígido | <p>A luz de acesso da unidade de disco rígido acende quando dados são lidos ou gravados nela pelo computador. Essa luz também poderá estar acesa quando dispositivos, por exemplo, o tocador de CD, estiverem funcionando.</p> |
| 9 | aberturas de ventilação | <p>As aberturas de ventilação evitam que o computador fique superaquecido. Para garantir a ventilação correta, não bloqueie estas aberturas de ventilação.</p> |

Computador de fator de forma ultrapequeno — Vista lateral



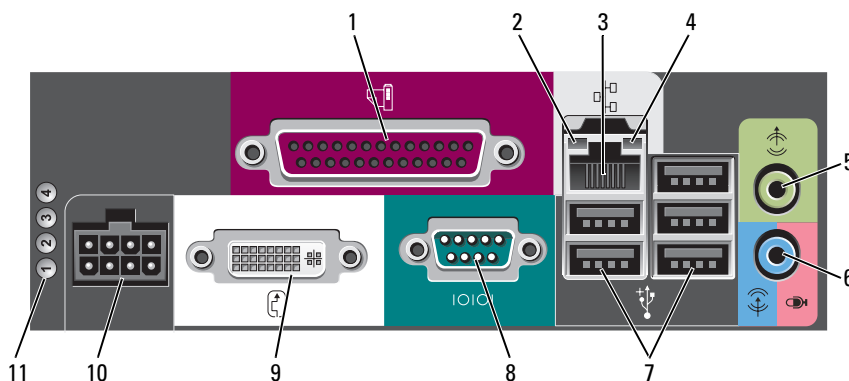
- | | | |
|---|-------------------------|---|
| 1 | aberturas de ventilação | <p>As aberturas de ventilação localizadas em ambos os lados do computador ajudam a evitar que ele fique superaquecido. Para garantir a ventilação adequada, não bloqueie estas aberturas.</p> |
|---|-------------------------|---|

Computador de fator de forma ultrapequeno — Vista traseira



- | | | |
|---|---|---|
| 1 | luzes de diagnóstico | Consulte “Luzes de diagnóstico” na página 110 para obter uma descrição dos códigos de luzes que podem ajudar na solução dos problemas apresentados pelo computador. |
| 2 | botão de liberação da tampa do computador | Gire este botão no sentido horário para remover a tampa. |
| 3 | conectores do painel traseiro | Os conectores do seu computador (consulte “Computador de fator de forma ultrapequeno — Conectores do painel traseiro” na página 83). |
| 4 | conector de alimentação | Insira o cabo de alimentação. |
| 5 | aberturas de ventilação | As aberturas de ventilação evitam que o computador fique superaquecido. Para garantir a ventilação correta, não bloqueie estas aberturas de ventilação. |

Computador de fator de forma ultrapequeno — Conectores do painel traseiro




- | | | |
|----|--|---|
| 1 | conector paralelo | Conecte um dispositivo paralelo, como uma impressora, ao conector paralelo. Se você tiver uma impressora USB, conecte-a a um conector USB. |
| 2 | luz de integridade de vínculo | <ul style="list-style-type: none"> • Verde — Boa conexão entre uma rede de 10 Mbps e o computador. • Laranja — Boa conexão entre uma rede de 100 Mbps e o computador. • Amarelo — Boa conexão entre uma rede de 1000 Mbps (1 Gbps) e o computador. • Apagada — O computador não está detectando uma conexão física com a rede ou o controlador de rede está desativado na configuração do sistema. |
| 3 | adaptador de rede | <p>Para conectar o computador a uma rede ou a um dispositivo de banda larga, conecte uma extremidade de um cabo de rede a uma tomada de rede ou a um dispositivo de rede ou de banda larga. Conecte a outra extremidade do cabo ao conector do adaptador de rede no painel traseiro do computador. Um clique indica que o cabo de rede foi conectado com firmeza.</p> <p>NOTA: Não conecte um cabo de telefone ao conector de rede.</p> <p>Em computadores com placa de conector de rede, use o conector da placa.</p> <p>É recomendável usar cabeamento e conectores de categoria 5 para a rede. Se for necessário utilizar a fiação de Categoria 3, force a velocidade de rede para 10 Mbps a fim de assegurar uma operação confiável.</p> |
| 4 | luz de atividade da rede | A luz âmbar pisca quando o computador está transmitindo ou recebendo dados da rede. Um volume intenso de tráfego na rede pode dar a impressão de que a luz está constantemente acesa. |
| 5 | conector de saída de linha | Use o conector de saída verde para acoplar um conjunto de amplificadores. |
| 6 | conector de entrada de linha/microfone | Use o conector azul e rosa de entrada de linha/microfone para conectar um dispositivo de gravação/reprodução, como um toca-fitas, tocador de CD ou VCR, por exemplo; ou um microfone de PC para entrada de voz ou música em um programa de som ou de telefonia. |
| 7 | conectores USB (5) | Use os conectores USB traseiros para dispositivos que permanecem normalmente conectados, como impressoras e teclados. |
| 8 | conector serial | Acople um dispositivo serial, como um dispositivo portátil, ao conector serial. |
| 9 | conector de vídeo | <p>Se você tiver um monitor compatível com DVI, conecte o cabo do monitor ao conector branco localizado no painel traseiro.</p> <p>Se você tiver um monitor VGA, consulte “Como conectar um monitor VGA” no <i>guia do usuário on-line</i>.</p> |
| 10 | conector de alimentação | O conector do adaptador de alimentação. |
| 11 | luzes de diagnóstico | Consulte “Luzes de diagnóstico” na página 110 para obter uma descrição dos códigos de luzes que podem ajudar na solução dos problemas apresentados pelo computador. |

Como remover a tampa do computador

 **ADVERTÊNCIA:** Antes de executar qualquer procedimento descrito nesta seção, siga as instruções de segurança contidas no *Guia de Informações do Produto*.

 **ADVERTÊNCIA:** Para evitar choques elétricos, desligue sempre o computador da tomada elétrica antes de remover a tampa.

Antes de começar

 **AVISO:** Para não perder dados, salve e feche todos os arquivos abertos e saia dos programas que também estiverem abertos antes de desligar o computador.

1 Desligue o sistema operacional:


- a Salve e feche todos os arquivos abertos, saia de todos os programas abertos, clique no botão **Iniciar** e, em seguida, em **Desligar o computador**.
- b Na janela **Desligar o computador**, clique em **Desativar**.
O computador é desligado depois que o processo de desligamento do sistema operacional é concluído.


2 Desligue o computador e todos os dispositivos conectados. Se o computador e os dispositivos conectados não se desligarem automaticamente quando você desligar o sistema operacional, desligue-os agora.


Antes de trabalhar na parte interna do computador

Use as diretrizes de segurança a seguir para ajudar a proteger o computador contra danos em potencial e para ajudar a garantir a sua segurança pessoal.

 **ADVERTÊNCIA:** Antes de executar qualquer procedimento descrito nesta seção, siga as instruções de segurança contidas no *Guia de Informações do Produto*.


 **ADVERTÊNCIA:** Manipule cuidadosamente os componentes e as placas. Não toque nos componentes nem nos contatos da placa. Segure a placa pelas bordas ou pelo suporte metálico de montagem. Segure componentes, como por exemplo um processador, pelas bordas e não pelos pinos.

 **AVISO:** Somente técnicos credenciados devem executar reparos no computador. Danos decorrentes de mão-de-obra não autorizada pela Dell não serão cobertos pela garantia.

 **AVISO:** Ao desconectar um cabo, puxe-o pelo conector ou pelo laço de alívio de tensão, não pelo cabo em si. Alguns cabos têm um conector com presilhas de travamento. Se for desconectar esse tipo de cabo, pressione as presilhas de travamento antes de desconectar o cabo. Ao separar conectores, mantenha-os alinhados para evitar entortar os pinos. Além disso, antes de conectar um cabo, verifique se ambos os conectores estão corretamente orientados e alinhados.

Para evitar danos, execute o procedimento a seguir antes de começar a trabalhar na parte interna do computador.

1 Desligue o computador.

 **AVISO:** Para desconectar o cabo de rede, primeiro retire o cabo do computador e depois retire-o da tomada de rede na parede.

- 2 Desconecte do computador qualquer linha telefônica ou de telecomunicação.
- 3 Desconecte, das respectivas tomadas elétricas, o computador e todos os dispositivos conectados e depois pressione o botão liga/desliga para aterrar a placa de sistema.
- 4 Se for o caso, remova o suporte do computador (veja as instruções fornecidas com osuporte).



ADVERTÊNCIA: Para evitar choques elétricos, desligue sempre o computador da tomada elétrica antes de remover a tampa.

- 5 Remova a tampa do computador.
 - Remova a tampa do computador minitorre (consulte “Computador minitorre” na página 86).
 - Remova a tampa do computador de mesa (consulte “Computador de mesa” na página 87).
 - Remova a tampa do computador de fator de forma pequeno (consulte “Computador de fator de forma pequeno” na página 89).
 - Remova a tampa do computador de fator de forma ultrapequeno (consulte “Computador de fator de forma ultrapequeno” na página 90).



AVISO: Antes de tocar em qualquer parte interna do computador, aterre-se tocando em uma superfície de metal sem pintura, como o metal da parte traseira do computador. No decorrer do trabalho, toque periodicamente em uma peça metálica sem pintura para dissipar a eletricidade estática, que pode danificar os componentes internos.

Computador minitorre



ADVERTÊNCIA: Antes de executar qualquer procedimento descrito nesta seção, siga as instruções de segurança contidas no *Guia de Informações do Produto*.

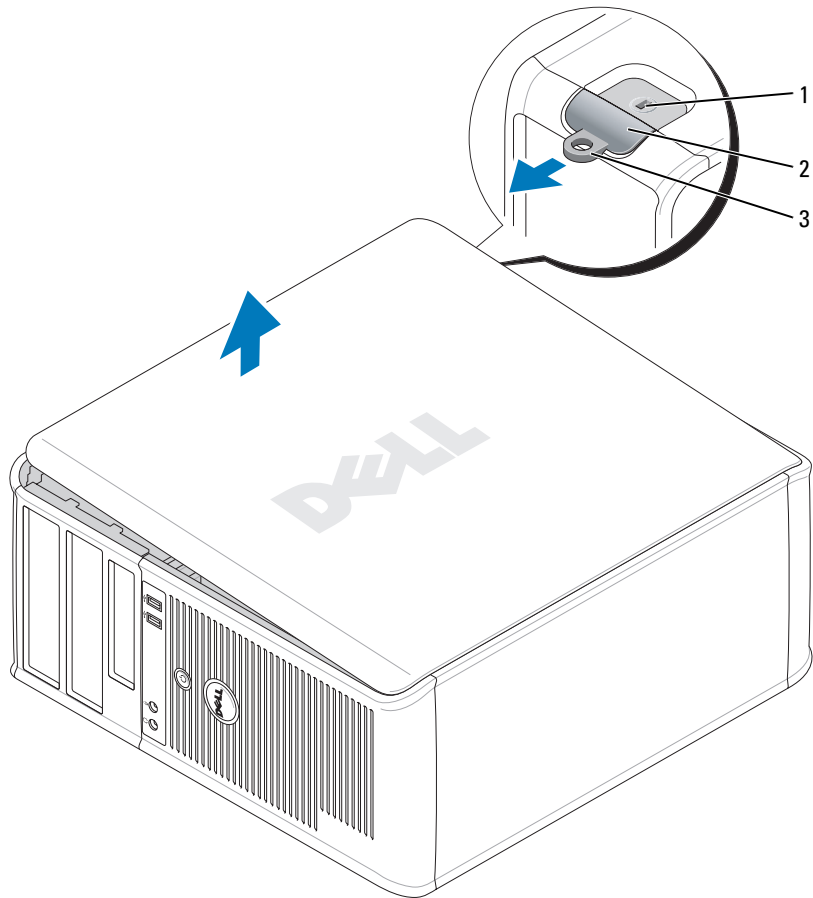


ADVERTÊNCIA: Para proteger-se contra choques elétricos, desconecte sempre o computador da tomada antes de remover a tampa.

- 1 Siga os procedimentos descritos em “Antes de começar” na página 85
- 2 Deite o computador de lado conforme mostra a ilustração.
- 3 Localize a trava de liberação da tampa, conforme mostra a ilustração. Então, deslize a trava de liberação para trás, levantando a tampa.
- 4 Segure a tampa do computador pelas laterais e gire-a usando as abas das dobradiças como pontos de apoio.
- 5 Remova a tampa das abas das dobradiças e coloque-a em uma superfície macia e não abrasiva.



ADVERTÊNCIA: Dissipadores de calor de placas gráficas podem esquentar muito durante a operação normal. Deixe o dissipador esfriar antes de tocá-lo.



1 encaixe do cabo de segurança 2 trava de liberação da tampa 3 anel do cadeado

Computador de mesa

! **ADVERTÊNCIA:** Antes de executar qualquer procedimento descrito nesta seção, siga as instruções de segurança contidas no *Guia de Informações do Produto*.

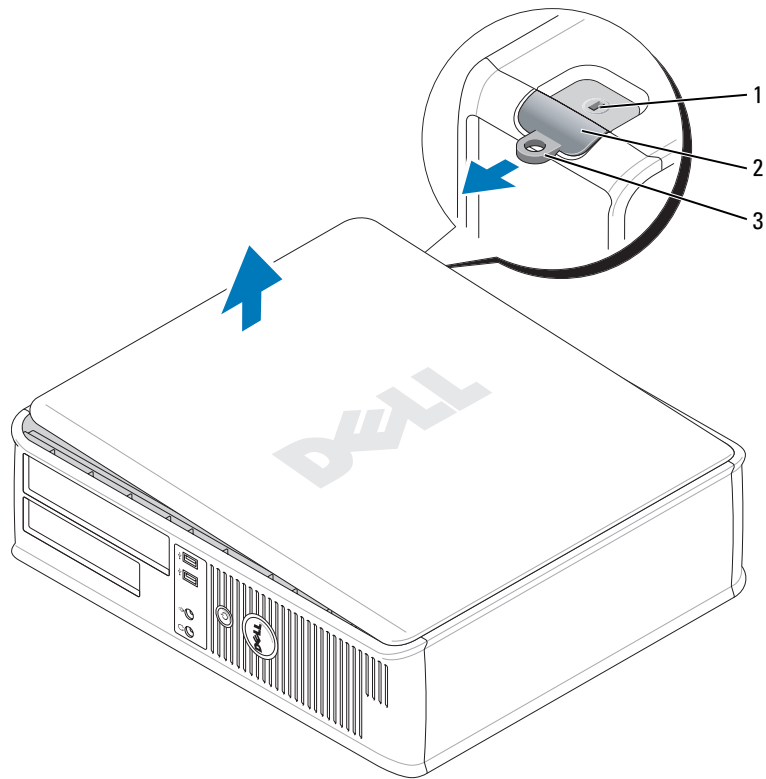
! **ADVERTÊNCIA:** Para proteger-se contra choques elétricos, desconecte sempre o computador da tomada antes de remover a tampa.

- 1 Siga os procedimentos descritos em “Antes de começar” na página 85
- 2 Se você instalou um cadeado no computador através do anel de cadeado no painel traseiro, remova-o.

- 3 Localize a trava de liberação da tampa, conforme mostra a ilustração. Então, deslize a trava de liberação para trás, levantando a tampa.
- 4 Segure a tampa do computador pelas laterais e gire-a usando as abas das dobradiças como pontos de apoio.
- 5 Remova a tampa das abas das dobradiças e coloque-a em uma superfície macia e não abrasiva.



ADVERTÊNCIA: Dissipadores de calor de placas gráficas podem esquentar muito durante a operação normal. Deixe o dissipador esfriar antes de tocá-lo.



1 encaixe do cabo de segurança 2 trava de liberação da tampa 3 anel do cadeado

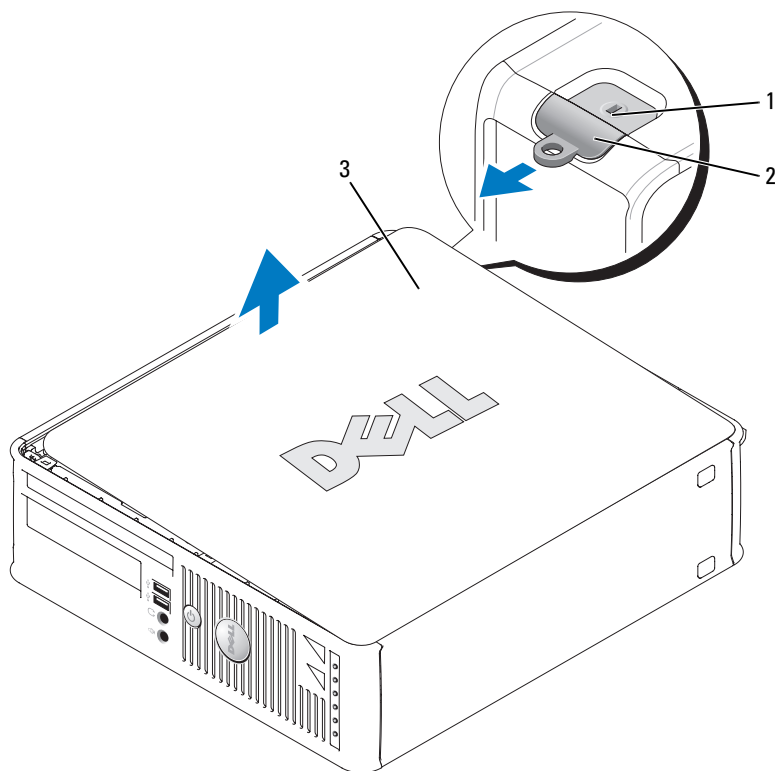
Computador de fator de forma pequeno

⚠ ADVERTÊNCIA: Antes de executar qualquer procedimento descrito nesta seção, siga as instruções de segurança contidas no *Guia de Informações do Produto*.

⚠ ADVERTÊNCIA: Para proteger-se contra choques elétricos, desconecte sempre o computador da tomada antes de remover a tampa.

- 1 Siga os procedimentos descritos em “Antes de começar” na página 85
- 2 Se você instalou um cadeado no computador através do anel de cadeado no painel traseiro, remova-o.
- 3 Localize a trava de liberação da tampa, conforme mostra a ilustração. Então, deslize a trava de liberação para trás, levantando a tampa.
- 4 Segure a tampa do computador pelas laterais e gire-a usando as dobradiças da parte inferior como pontos de apoio.
- 5 Remova a tampa das abas das dobradiças e coloque-a em uma superfície macia e não abrasiva.

⚠ ADVERTÊNCIA: Dissipadores de calor de placas gráficas podem esquentar muito durante a operação normal. Deixe o dissipador esfriar antes de tocá-lo.



1 encaixe do cabo de segurança 2 trava de liberação da tampa 3 tampa do computador

Computador de fator de forma ultrapequeno

⚠ ADVERTÊNCIA: Antes de executar qualquer procedimento descrito nesta seção, siga as instruções de segurança contidas no *Guia de Informações do Produto*.

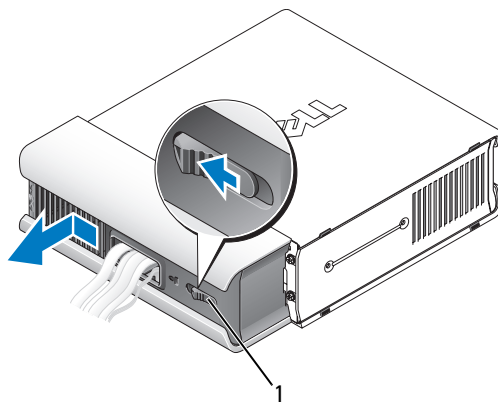
⚠ ADVERTÊNCIA: Para proteger-se contra choques elétricos, desconecte sempre o computador da tomada antes de remover a tampa.

1 Siga os procedimentos descritos em “Antes de começar” na página 85

➡ AVISO: Antes de tocar em qualquer componente na parte interna do computador, elimine a eletricidade estática de seu corpo tocando em uma superfície metálica sem pintura. No decorrer do trabalho, toque periodicamente em uma peça metálica sem pintura para dissipar a eletricidade estática, que pode danificar os componentes internos.

2 Se for o caso, remova a tampa do cabeamento.

a Se houver um dispositivo de segurança na abertura dos cabos, remova-o.



1 botão de liberação

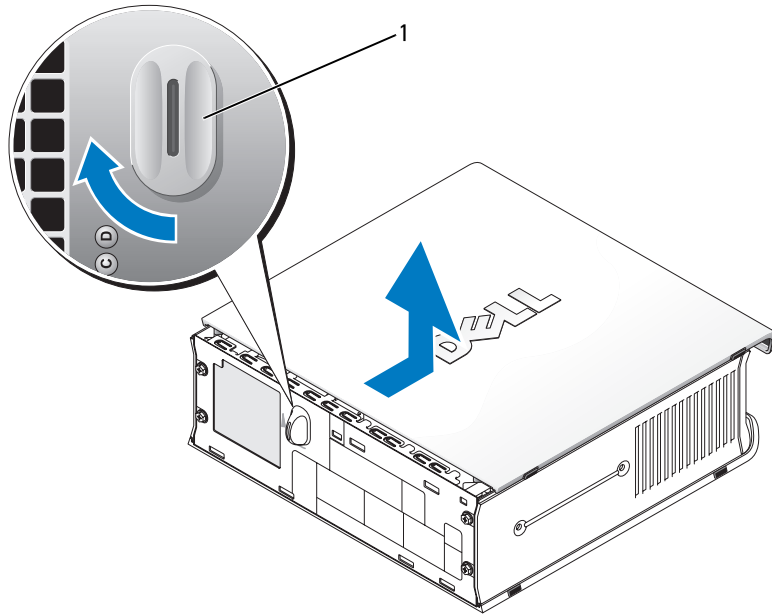
b Pressione o botão de liberação, segure a tampa do cabo e empurre-a para a esquerda até que ela pare e então remova-a.

3 Remova a tampa do computador.

a Gire o puxador de liberação da tampa no sentido horário, conforme mostra a ilustração.

b Deslize a tampa do computador para frente aproximadamente 1 cm, ou até que ela pare, e depois levante-a.

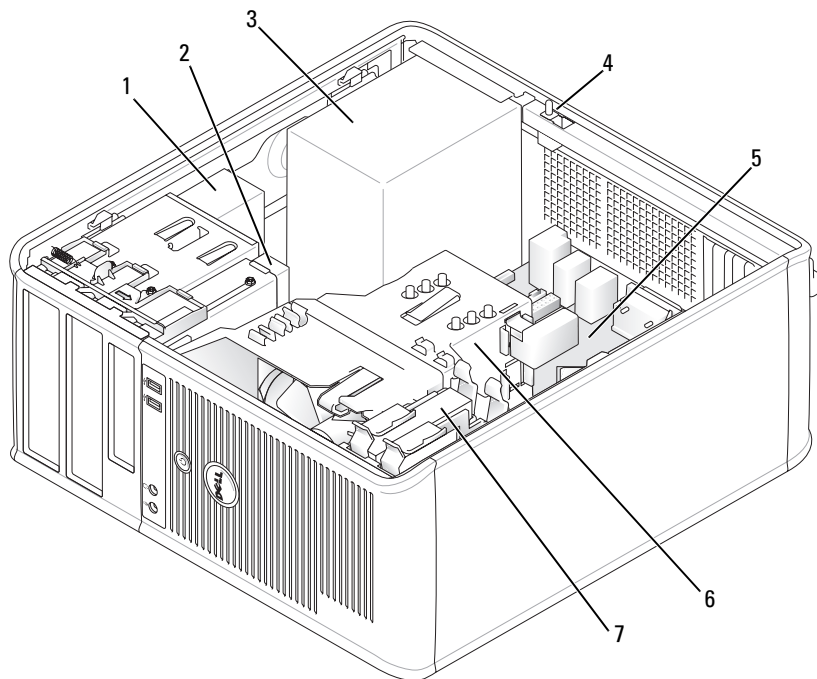
⚠ ADVERTÊNCIA: Dissipadores de calor de placas gráficas podem esquentar muito durante a operação normal. Deixe o dissipador esfriar antes de tocá-lo.



1 botão de liberação

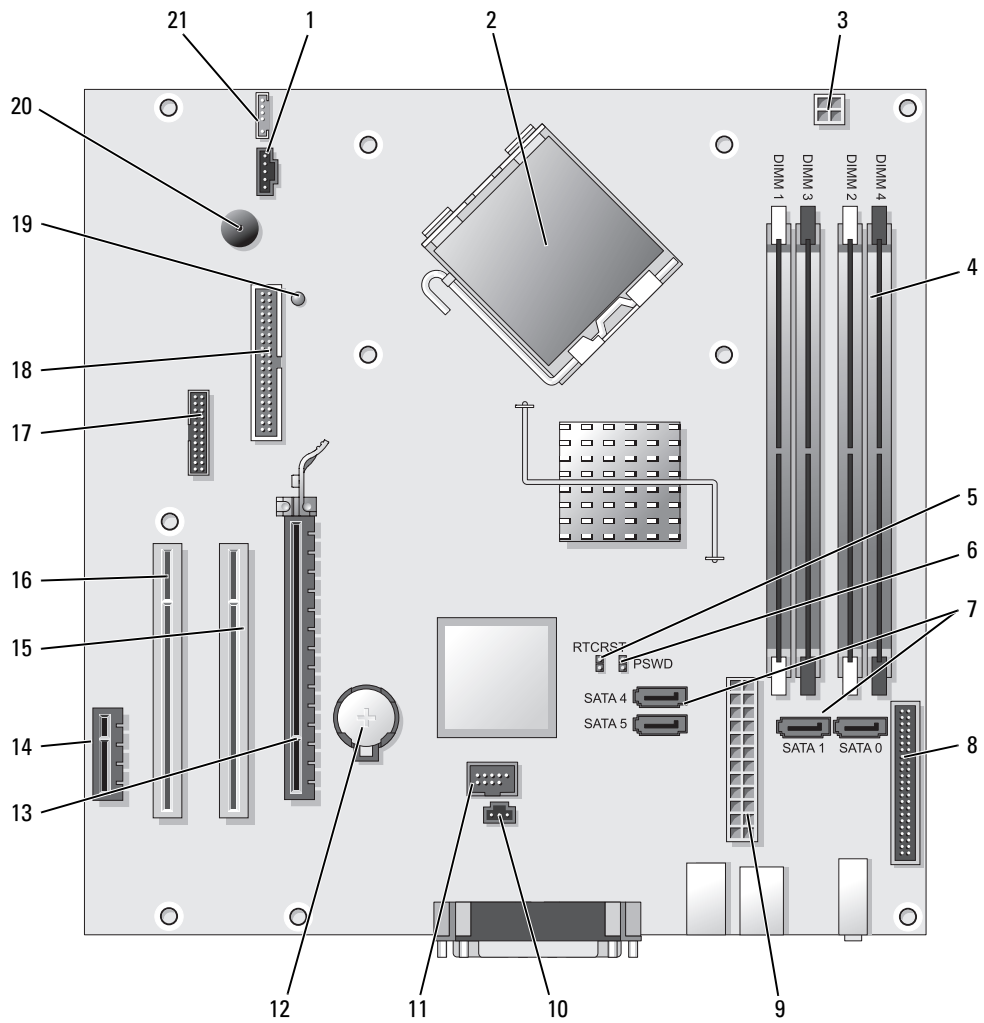
Parte interna do computador

Computador minitorre



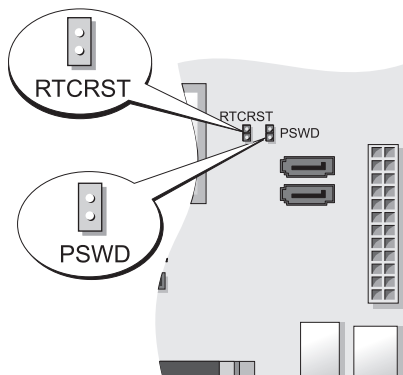
- | | | | | | |
|---|--------------------------------------|---|--|---|---------------------------------|
| 1 | unidade óptica | 2 | unidade de disquete ou leitor de cartão de mídia | 3 | fonte de alimentação |
| 4 | chave opcional de violação do chassi | 5 | placa de sistema | 6 | conjunto do dissipador de calor |
| 7 | disco rígido | | | | |





Componentes da placa de sistema



- | | | | |
|----|--|----|---|
| 1 | conector de ventilador (FAN) | 12 | soquete da bateria (BATT) |
| 2 | conector do processador (CPU) | 13 | conector PCI Express x16 (SLOT1) |
| 3 | conector de energia do processador (12VPOWER) | 14 | conector PCI Express x1 (SLOT4) |
| 4 | conectores dos módulos de memória (DIMM_1, DIMM_2, DIMM_3, DIMM_4) | 15 | conector PCI (SLOT2) |
| 5 | jumpers de redefinição RTC (RTCRST) | 16 | conector PCI (SLOT3) |
| 6 | jumpers de senha (PSWD) | 17 | conector serial (SER2) |
| 7 | conectores de unidades SATA (SATA0, SATA1, SATA4, SATA5) | 18 | conector da unidade de disquete (DSKT) |
| 8 | conector do painel frontal (FNT_PANEL) | 19 | alimentação flea (alimentação mínima de espera) |
| 9 | conector de alimentação (POWER) | 20 | alto-falante da placa de sistema (BEEP) |
| 10 | conector da chave de violação (INTRUDER) | 21 | conector de alto-falante (INT_SPKR) |
| 11 | USB interno (INTERNAL_USB) | | |

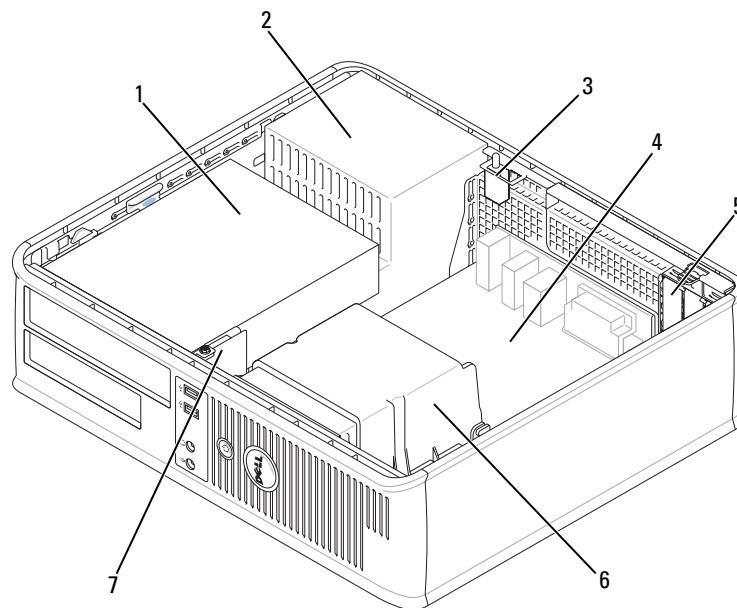
Configurações de jumper



Jumper	Configuração	Descrição
PSWD		Os recursos de senha estão ativados (esta é a configuração padrão).
		Os recursos de senha estão desativados.
RTC RST		O relógio de tempo real não foi reajustado.
		O relógio de tempo real está sendo reajustado (jumper colocado temporariamente).

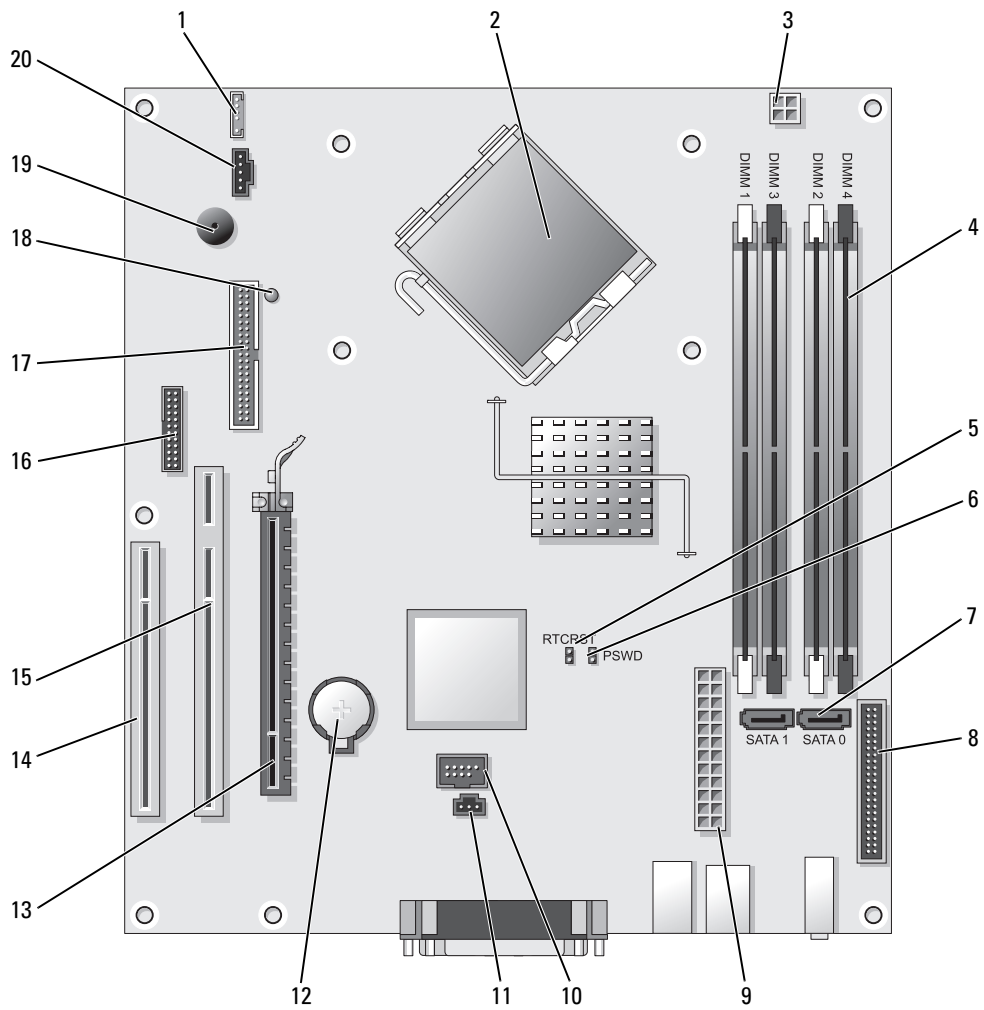
 *com jumper*  *sem jumper*

Computador de mesa



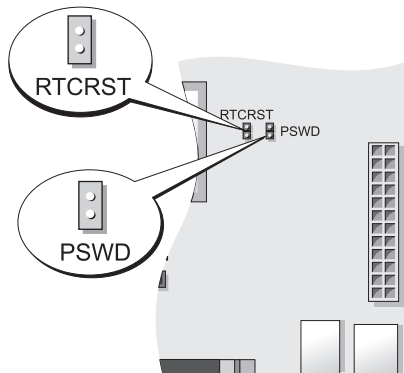
- | | | | | | |
|---|---|---|----------------------|---|--------------------------------------|
| 1 | compartimentos de unidade (leitor de cartão de mídia ou unidade de disquete, unidade óptica e disco rígido) | 2 | fonte de alimentação | 3 | chave opcional de violação do chassi |
| 4 | placa de sistema | 5 | slots de placa | 6 | conjunto do dissipador de calor |
| 7 | painel frontal de E/S | | | | |

Componentes da placa de sistema



- | | | | |
|----|--|----|---|
| 1 | alto-falante interno (INT_SPKR) | 11 | conector da chave de violação (INTRUDER) |
| 2 | conector do processador (CPU) | 12 | soquete da bateria (BATT) |
| 3 | conector de energia do processador (12VPOWER) | 13 | conector PCI Express x16 (SLOT1) |
| 4 | conectores dos módulos de memória (DIMM_1, DIMM_2, DIMM_3, DIMM_4) | 14 | conector PCI (SLOT3) |
| 5 | jumper de redefinição RTC (RTCRST) | 15 | conector PCI (SLOT2) |
| 6 | jumper de senha (PSWD) | 16 | conector serial (SER2) |
| 7 | conectores SATA (SATA0, SATA1) | 17 | conector da unidade de disquete (DSKT) |
| 8 | conector do painel frontal (FNT_PANEL) | 18 | alimentação flea (alimentação mínima de espera) |
| 9 | conector de alimentação (POWER) | 19 | alto-falante da placa de sistema (BEEP) |
| 10 | USB interno (INTERNAL_USB) | 20 | conector de ventilador (FAN) |

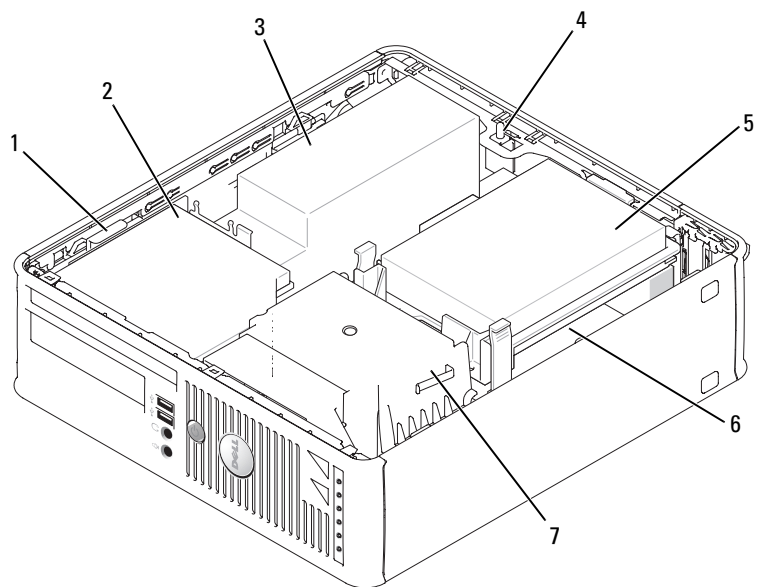
Configurações de jumper



Jumper	Configuração	Descrição
PSWD		Os recursos de senha estão ativados (esta é a configuração padrão).
		Os recursos de senha estão desativados.
RTCRST		O relógio de tempo real não foi reajustado.
		O relógio de tempo real está sendo reajustado (jumper colocado temporariamente).

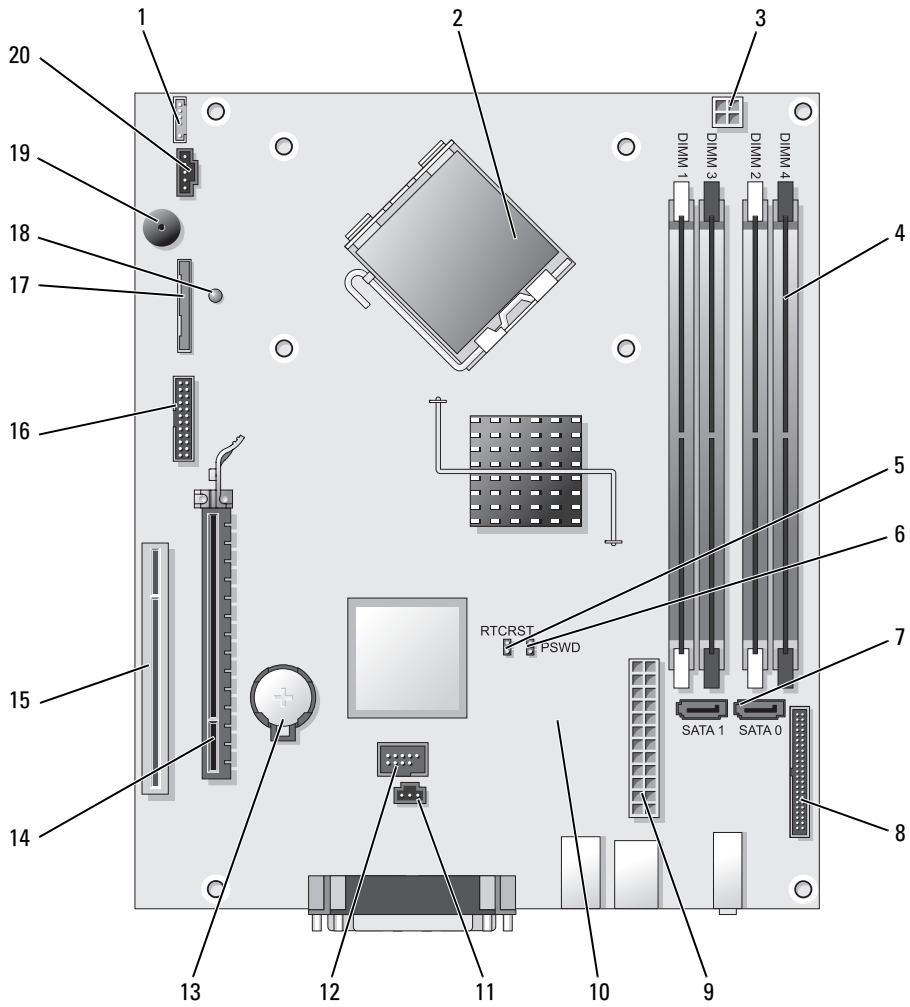
com jumper sem jumper

Computador de fator de forma pequeno



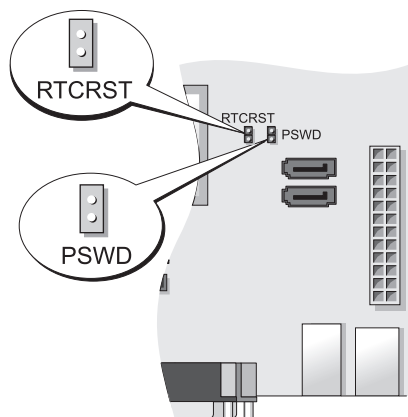
- | | | | | | |
|---|---|---|----------------|---|-----------------------------------|
| 1 | presilha de liberação da unidade | 2 | unidade óptica | 3 | fonte de alimentação e ventilador |
| 4 | chave opcional de violação do chassi | 5 | disco rígido | 6 | placa de sistema |
| 7 | conjunto do dissipador de calor e do ventilador | | | | |





Componentes da placa de sistema



- | | | | |
|----|--|----|---|
| 1 | conector de alto-falante interno (INT_SPKR) | 11 | conector da chave de violação (INTRUDER) |
| 2 | conector do processador (CPU) | 12 | conector de USB interno (USB) |
| 3 | conector de energia do processador (12VPOWER) | 13 | soquete da bateria (BATT) |
| 4 | conectores dos módulos de memória (DIMM_1, DIMM_2, DIMM_3, DIMM_4) | 14 | conector PCI Express x16 (SLOT1) |
| 5 | jumper de redefinição RTC (RTCRST) | 15 | conector PCI (SLOT2) |
| 6 | jumper de senha (PSWD) | 16 | conector serial (SER2) |
| 7 | conectores SATA (SATA0, SATA1) | 17 | conector da unidade de disquete (DSKT) |
| 8 | conector do painel frontal (FNT_PANEL) | 18 | alimentação flea (alimentação mínima de espera) |
| 9 | conector de alimentação (POWER) | 19 | alto-falante da placa de sistema (BEEP) |
| 10 | conector de ventilador (FAN2) | 20 | conector de ventilador (FAN) |

Configurações de jumper



Jumper	Configuração	Descrição
PSWD		Os recursos de senha estão ativados (esta é a configuração padrão).
		Os recursos de senha estão desativados.
RTCRST		O relógio de tempo real não foi reajustado.
		O relógio de tempo real está sendo reajustado (jumper colocado temporariamente).

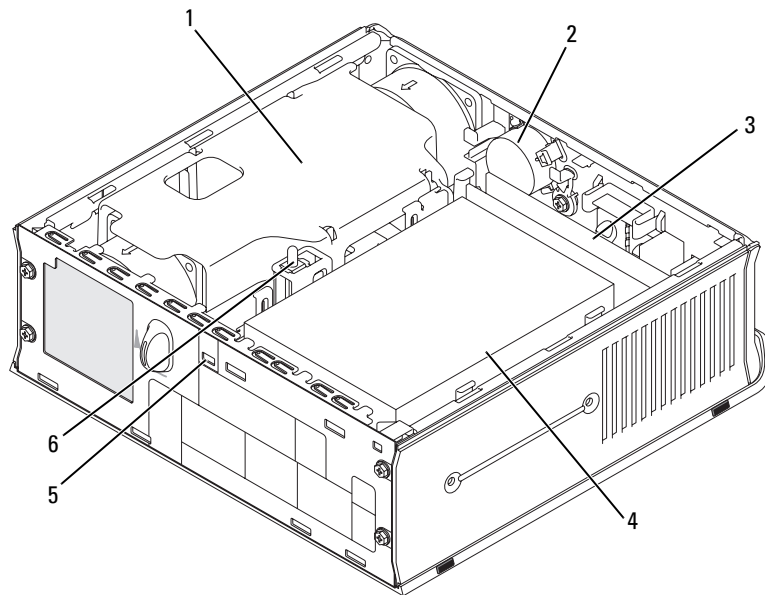


com jumper



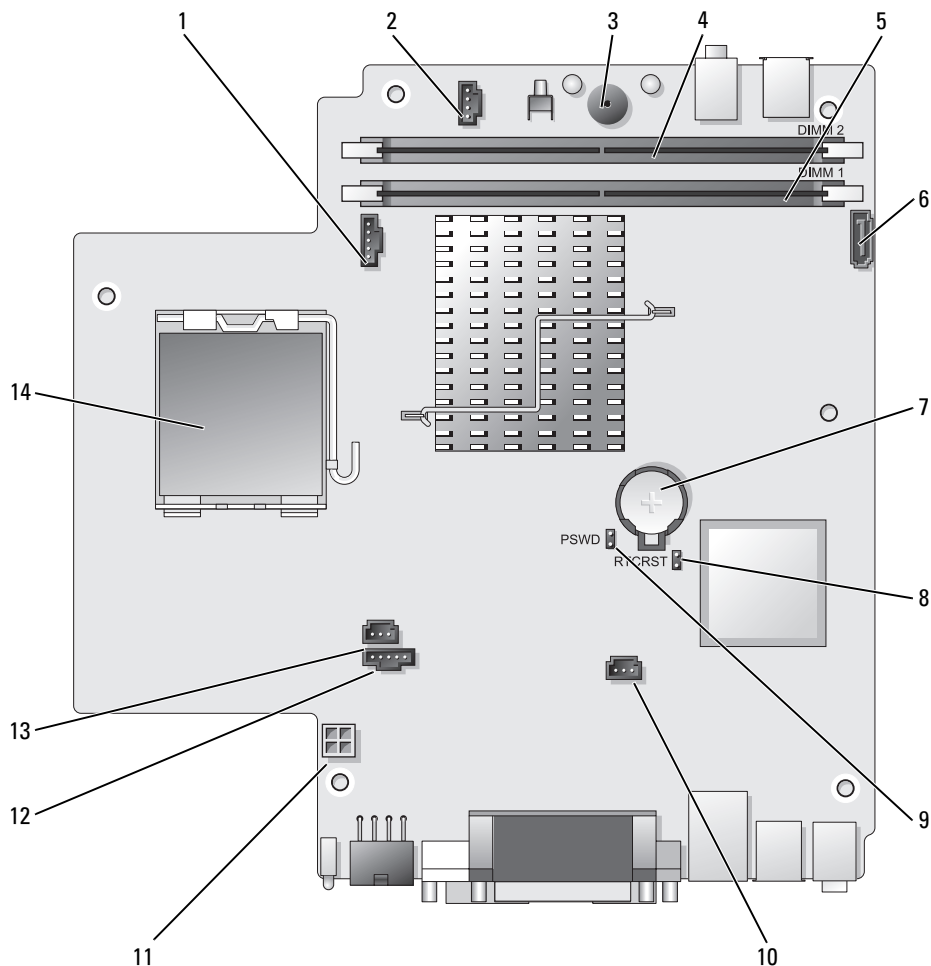
sem jumper

Computador de fator de forma ultra pequeno



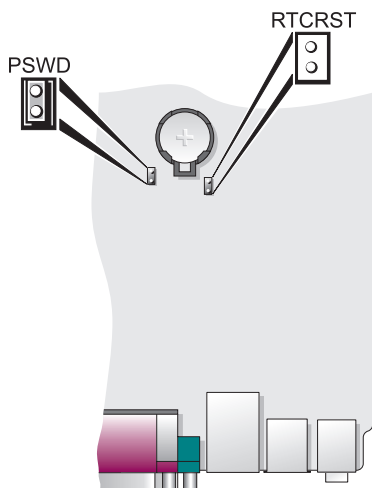
- | | | | | | |
|---|--|---|------------------------------|---|-----------------------------|
| 1 | defletor do ventilador/conjunto do dissipador de calor | 2 | alto-falante (opcional) | 3 | módulos de memória (2) |
| 4 | disco rígido | 5 | encaixe do cabo de segurança | 6 | chave de violação do chassi |

Componentes da placa de sistema



- | | | | |
|---|---|----|--|
| 1 | conector do ventilador (FAN_FRONT) | 8 | jumper de apagamento do CMOS (RTCST) |
| 2 | conector de alto-falante interno (INT_SPKR) | 9 | jumper de senha (PSWD) |
| 3 | alto-falante da placa de sistema (BEEP) | 10 | conector do ventilador do disco rígido (FAN_HDD) |
| 4 | conector do canal B de memória (DIMM_2) | 11 | conector de alimentação do disco rígido (SATA_PWR) |
| 5 | conector do canal A de memória (DIMM_1) | 12 | conector do ventilador (FAN_REAR) |
| 6 | conector do cabo de dados SATA (SATA0) | 13 | conector da chave de violação (INTRUDER) |
| 7 | bateria (BATT) | 14 | processador (CPU) |

Configurações de jumper



Jumper	Configuração	Descrição
PSWD		Os recursos de senha estão ativados (esta é a configuração padrão).
		Os recursos de senha estão desativados.
RTCRST		O relógio de tempo real não foi reajustado.
		O relógio de tempo real está sendo reajustado (jumper colocado temporariamente).



com jumper



sem jumper

Como configurar o computador




ADVERTÊNCIA: Antes de executar qualquer dos procedimentos descritos nesta seção, siga as instruções de segurança contidas no *Guia de Informações do Produto*.




AVISO: Se o computador tiver uma placa de expansão instalada (por exemplo, uma placa de modem), conecte o cabo adequado à placa, e *não* ao conector do painel traseiro.




AVISO: Para ajudar a permitir que o computador mantenha a temperatura de operação adequada, verifique se ele não está colocado muito próximo à parede ou a outro compartimento de armazenamento que possa evitar a circulação do ar em volta do chassi. Para obter mais informações, consulte o Guia de Informações do Produto.

 **NOTA:** Antes de instalar quaisquer dispositivos ou softwares que não tenham sido enviados com o computador, leia a documentação fornecida com o software ou o dispositivo ou entre em contato com o fornecedor para verificar se o software ou o dispositivo é compatível com o computador e o sistema operacional.

Você precisa executar todas as etapas para configurar corretamente o computador. Consulte as figuras que acompanham as instruções.

 **AVISO:** Não tente usar um mouse PS/2 e um mouse USB simultaneamente.

1 Conecte o teclado e o mouse.


 **AVISO:** Não conecte o cabo de modem a um conector de rede. A tensão das comunicações telefônicas pode danificar o adaptador de rede.

2 Conecte o cabo de modem ou o cabo de rede.

Insira o cabo de rede, e não o cabo de telefone, no conector de rede. Se você tiver um modem opcional, conecte o cabo de telefone a este modem.


3 Conecte o monitor


Alinhe e insira delicadamente o cabo do monitor tomando cuidado para não dobrar os pinos do conector. Aperte os parafusos dos conectores dos cabos.

 **NOTA:** Em alguns monitores, o conector de vídeo está localizado sob a parte traseira da tela. Consulte a documentação do monitor para ver a posição dos conectores.

4 Conecte os alto-falantes

5 Conecte os cabos de alimentação do computador, do monitor e dos outros dispositivos às tomadas elétricas.

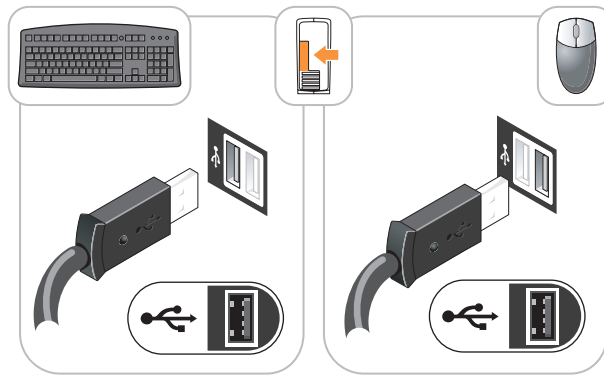
 **AVISO:** Para ajudar a evitar danos a computadores que têm uma chave seletora manual de tensão, coloque a chave na posição que mais se aproxima da tensão CA (Corrente Alternada) disponível na sua área.

 **AVISO:** A chave seletora precisa estar na posição 115 V, embora a fonte de CA disponível no Japão seja de 100 V.

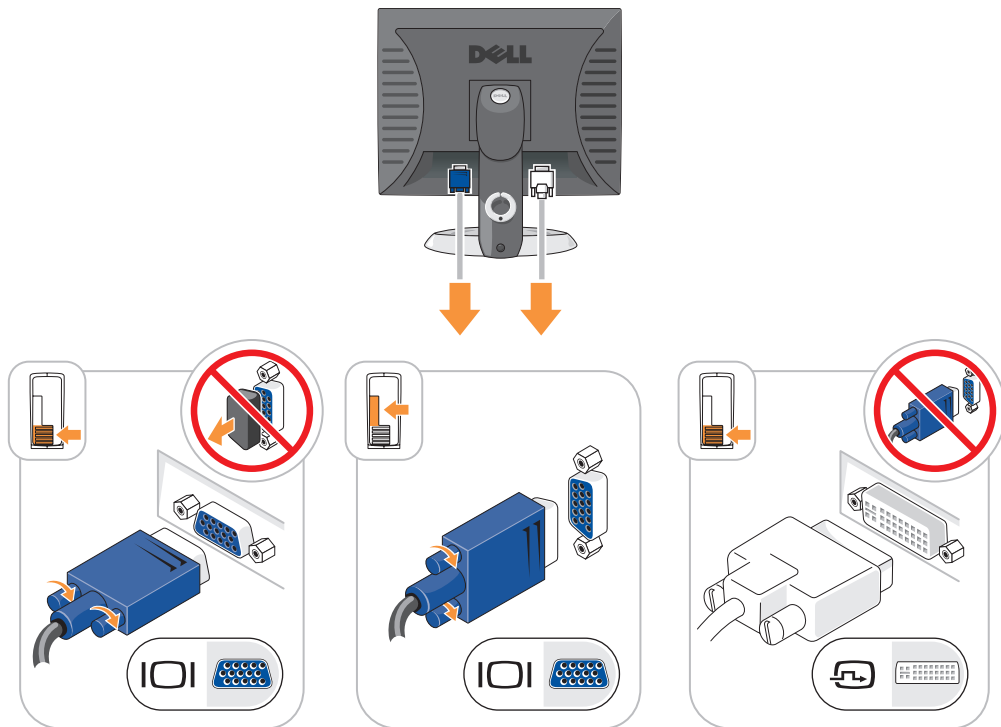
6 Verifique se a chave seletora de tensão está na posição correta para a tensão de sua localidade.

Seu computador tem uma chave seletora manual de tensão. Os computadores com chave de seleção de tensão no painel traseiro precisam ser manualmente ajustados para funcionar na tensão correta de operação.

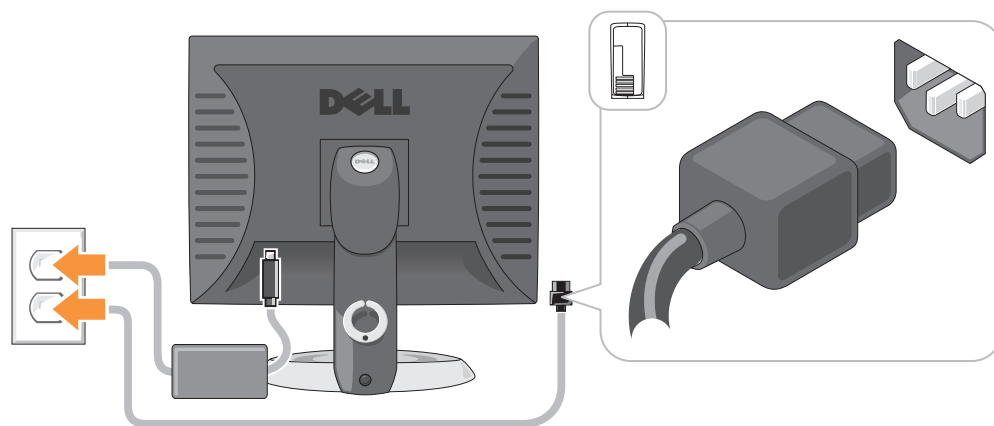
Configurar o teclado e o mouse



Instalar o monitor



Conexões de energia



Solução de problemas

Se o computador não funcionar conforme o esperado, você poderá contar com a ajuda de várias ferramentas fornecidas pela Dell. Para obter as informações mais recentes sobre a solução de problemas apresentados pelo computador, consulte o site de suporte da Dell em support.dell.com (em inglês).

Se o computador apresentar problemas que exijam a ajuda da Dell, escreva uma descrição detalhada do problema, dos códigos de bipe ou dos padrões das luzes de diagnósticos. Anote o Código de serviço expresso e o Número da etiqueta de serviço abaixo e entre em contato com a Dell, usando um telefone que esteja no mesmo local do seu computador. Para obter informações sobre como entrar em contato com a Dell, consulte o *guia do usuário* on-line.

Para obter um exemplo do código de serviço expresso e da etiqueta de serviço, consulte “Como obter informações” no *guia do usuário* do computador.

Código de serviço expresso: _____


Etiqueta de serviço _____

Dell Diagnostics

⚠️ ADVERTÊNCIA: Antes de executar qualquer procedimento descrito nesta seção, siga as instruções de segurança contidas no *Guia de Informações do Produto*.

Quando usar o Dell Diagnostics

Se o computador apresentar algum problema, execute os testes descritos em “Como solucionar problemas” do *guia do usuário* on-line e execute o Dell Diagnostics antes de entrar em contato com a Dell para obter assistência técnica. Para obter informações sobre como entrar em contato com a Dell, consulte o *guia do usuário* on-line.


 **AVISO:** O Dell Diagnostics só funciona em computadores Dell™.

Entre no programa de configuração do sistema (para obter instruções, consulte “Configuração do sistema” na *guia do usuário* on-line), reveja as informações de configuração do computador e verifique se o dispositivo que você quer testar aparece na configuração do sistema e se ele está ativo.

Inicie o Dell Diagnostics a partir do disco rígido ou do CD opcional CD *Drivers and Utilities* (*ResourceCD*).

Como iniciar o Dell Diagnostics a partir do disco rígido

- 1 Ligue (ou reinicie) o computador.
- 2 Quando o logotipo DELL aparecer, pressione <F12> imediatamente.

 **NOTA:** Se você receber uma mensagem dizendo que não foi encontrada nenhuma partição do utilitário de diagnósticos, execute o Dell Diagnostics a partir do CD opcional *Drivers and Utilities* (consulte “Como iniciar o Dell Diagnostics a partir do CD Drivers and Utilities” na página 107).

Se você esperar demais e o logotipo do sistema operacional aparecer, continue aguardando até que a área de trabalho do Microsoft® Windows® seja mostrada. Em seguida, desligue o computador e tente novamente.

Quando a lista de dispositivos de inicialização aparecer, realce **Inicialização na partição do utilitário** e pressione <Enter>.


- 3 Quando o menu principal do Dell Diagnostics aparecer, selecione o teste a ser executado.

Como iniciar o Dell Diagnostics a partir do CD Drivers and Utilities

- 1 Insira o CD *Drivers and Utilities*.
- 2 Desligue e reinicialize o computador.

Quando o logotipo DELL aparecer, pressione <F12> imediatamente.

Se você esperar tempo demais e o logotipo do sistema operacional aparecer, continue aguardando até ver a área de trabalho do Windows. Em seguida, desligue o computador e tente novamente.

 **NOTA:** As etapas a seguir alteram a seqüência de inicialização para ser executada apenas uma vez. Na próxima inicialização, o computador inicializará de acordo com os dispositivos especificados na configuração do sistema.

- 3 Quando a lista de dispositivos de inicialização aparecer, destaque a opção de unidade de CD/DVD e pressione <Enter>.
- 4 Selecione a opção de unidade de CD/DVD no menu de inicialização do CD.
- 5 No menu que irá aparecer, selecione a opção para fazer a inicialização a partir da unidade de CD/DVD.
- 6 Digite 1 para iniciar o menu do CD *Drivers and Utilities* (Drivers e utilitários).
- 7 Digite 2 para iniciar o Dell Diagnostics.
- 8 Selecione **Run the 32 Bit Dell Diagnostics** (Executar o Dell Diagnostics de 32 bits) na lista numerada. Se houver várias versões na lista, selecione a versão adequada para sua plataforma.
- 9 Quando o menu principal do Dell Diagnostics aparecer, selecione o teste a ser executado.

Tela do menu principal do Dell Diagnostics

- 1 Depois que o Dell Diagnostics for carregado e a tela do **menu principal** aparecer, clique no botão da opção desejada.

Opção	Função
Express Test (Teste expresso)	Executa um teste rápido dos dispositivos. Esse teste normalmente tem a duração de 10 a 20 minutos e não exige nenhuma interação por parte do usuário. Aumente as possibilidades de detectar o problema rapidamente executando primeiro o Express Test (Teste expresso).
Extended Test (Teste completo)	Executa uma verificação completa dos dispositivos. Esse teste normalmente demora uma hora ou mais e exige que você responda a perguntas periodicamente.
Custom Test (Teste personalizado)	Testa um dispositivo específico. Você pode personalizar os testes que quer executar.
Symptom Tree (Árvore de sintomas)	Mostra a lista dos sintomas mais comuns encontrados e permite selecionar um teste com base no sintoma do problema que está ocorrendo.

- 2 Se for encontrado algum problema durante um teste, aparecerá uma mensagem mostrando o código de erro e uma descrição do problema. Anote esse código e a descrição do problema e siga as instruções da tela.

Se não for possível resolver a condição de erro, entre em contato com a Dell. Para obter informações sobre como entrar em contato com a Dell, consulte o *guia do usuário* on-line.



NOTA: A etiqueta de serviço do computador está localizada na parte superior de cada tela de teste. Se você entrar em contato com a Dell, o suporte técnico solicitará o número da etiqueta de serviço.

- 3 Se você executar um teste usando a opção **Custom Test** (Teste personalizado) ou **Symptom Tree** (Árvore de sintomas), clique na guia correspondente descrita na tabela a seguir para obter mais informações.

Guia	Função
Results (Resultados)	Mostra os resultados do teste e as condições de erro encontradas.
Errors (Erros)	Mostra as condições de erro encontradas, os códigos de erro e a descrição do problema.
Help (Ajuda)	Descreve o teste e pode indicar os requisitos para a execução desse teste.
Configuration (Configuração)	Mostra a configuração de hardware do dispositivo selecionado. O Dell Diagnostics obtém as informações sobre a configuração de todos os dispositivos através do programa de configuração do sistema, da memória e de vários testes internos, e mostra essas informações na lista de dispositivos no painel esquerdo da tela. A lista de dispositivos pode não conter os nomes de todos os componentes instalados no computador ou de todos os dispositivos conectados a ele.
Parameters (Parâmetros)	Você pode alterar as configurações de teste para personalizá-lo.

- 4 Quando os testes terminarem, se você estiver executando o Dell Diagnostics a partir do CD *Drivers and Utilities* (opcional), remova o CD.
- 5 Feche a tela de teste para retornar ao **menu principal**. Para sair do Dell Diagnostics e reinicializar o computador, feche a tela do **menu principal**.

Luzes do sistema

A luz de energia pode indicar um problema do computador.

Luz de alimentação	Descrição do problema	Solução sugerida
Verde contínuo	A energia está ligada e o computador está funcionando normalmente.	Não é necessário executar qualquer ação corretiva.
Verde piscando	O computador está no modo de economia de energia.	Pressione o botão liga/desliga, mova o mouse ou pressione uma tecla para ativar o computador.
A luz verde pisca várias vezes e depois apaga	Erro de configuração.	Verifique as luzes de diagnóstico para saber se o problema foi identificado (consulte “Luzes de diagnóstico” na página 110).
Amarelo contínuo	Um dispositivo na placa de sistema pode estar com defeito ou instalado incorretamente, ou a chave seletora de tensão na fonte de alimentação pode estar configurada incorretamente.	Verifique as luzes de diagnóstico para saber se o problema foi identificado (consulte “Luzes de diagnóstico” na página 110). Consulte “Problemas de energia” no <i>guia do usuário</i> on-line. Se o computador não inicializar, entre em contato com a Dell para obter assistência técnica. Para obter informações sobre como entrar em contato com a Dell, consulte o <i>guia do usuário</i> on-line.
Amarelo piscando	Falha na fonte de alimentação ou na placa de sistema.	Verifique as luzes de diagnóstico para saber se o problema foi identificado (consulte “Luzes de diagnóstico” na página 110). Consulte “Problemas de energia” no <i>guia do usuário</i> on-line. Se o computador não inicializar, entre em contato com a Dell para obter assistência técnica. Para obter informações sobre como entrar em contato com a Dell, consulte o <i>guia do usuário</i> on-line.
Verde contínuo e um código de bipe durante o POST	Foi detectado um problema enquanto o BIOS estava sendo executado.	Para obter instruções de como diagnosticar o código de bipe, consulte “Códigos de bipe” na página 113. Verifique também as luzes de diagnóstico para ver se o problema foi identificado.


Luz de alimentação	Descrição do problema	Solução sugerida
Luz de energia verde contínuo, nenhum código de bipe e nenhuma imagem de vídeo durante o POST	O monitor ou a placa gráfica pode estar com defeito ou ter sido instalado incorretamente.	Verifique as luzes de diagnóstico para saber se o problema foi identificado.
A luz de energia fica verde sem piscar e nenhum código de bipe é emitido, mas o computador trava durante o POST	Um dispositivo integrado da placa de sistema pode estar com defeito.	Verifique as luzes de diagnóstico para saber se o problema foi identificado. Se o problema não for identificado, entre em contato com a Dell para obter assistência técnica. Para obter informações sobre como entrar em contato com a Dell, consulte o <i>guia do usuário</i> on-line.




Luzes de diagnóstico





 **ADVERTÊNCIA:** Antes de executar qualquer procedimento descrito nesta seção, siga as instruções de segurança contidas no *Guia de Informações do Produto*.




Para ajudar a solucionar problemas, o computador tem quatro luzes chamadas de “1”, “2”, “3” e “4” no painel frontal ou no painel traseiro. As luzes podem estar apagadas ou verdes. Quando o computador é inicializado normalmente, os padrões ou códigos das luzes mudam à medida que o processo de inicialização é executado. Se a parte de POST da inicialização do sistema for bem concluída, todas as quatro luzes se acendem (verde contínuo) por um curto período de tempo e depois se apagam.

Se o computador não funcionar corretamente durante o processo de POST, o padrão mostrado nas luzes poderá ajudar a identificar onde o computador parou no processo. Se o computador não funcionar corretamente após um POST bem-sucedido, as luzes de diagnóstico não indicam a causa do problema.

 **NOTA:** A orientação (direção) das luzes de diagnóstico pode variar dependendo do tipo de sistema. As luzes de diagnóstico podem tanto estar no sentido vertical como no horizontal.

Padrão de luz	Descrição do problema	Solução sugerida
	O computador está desligado ou pode ter ocorrido uma falha pré-BIOS. As luzes de diagnóstico não ficarão acesas depois que o computador tiver inicializado corretamente o sistema operacional.	Conecte o computador a uma tomada elétrica que funcione e pressione o botão liga/desliga.
	Ocorrência de uma possível falha no BIOS; o computador está no modo de recuperação.	Execute o utilitário de recuperação do BIOS, aguarde até a recuperação ser concluída e reinicialize o computador.
	Ocorrência de uma possível falha no processador.	Reinstale o processador e reinicie o computador. Para obter informações sobre como reinstalar o processador, consulte o <i>guia do usuário</i> on-line.

Padrão de luz	Descrição do problema	Solução sugerida
	<p>Os módulos de memória foram detectados, mas ocorreu uma falha na memória.</p>	<ul style="list-style-type: none"> • Se você tiver um módulo de memória instalado, reinstale-o e reinicie o computador. Para obter informações sobre como reinstalar os módulos de memória, consulte o <i>guia do usuário</i> on-line. • Se você tiver dois ou mais módulos de memória instalados, remova-os, reinstale um módulo e, em seguida, reinicie o computador. Se o computador inicializar normalmente, reinstale outro módulo. Continue até identificar o módulo com defeito ou até reinstalar todos os módulos sem erro. • Se disponível, instale no computador uma memória do mesmo tipo que esteja funcionando corretamente. • Se o problema persistir, entre em contato com a Dell. Para obter informações sobre como entrar em contato com a Dell, consulte o <i>guia do usuário</i> on-line.
	<p>Ocorrência de uma possível falha na placa gráfica.</p>	<ul style="list-style-type: none"> • Se o computador tiver uma placa gráfica, remova-a, reinstale-a e reinicie o equipamento. • Se o problema persistir, instale uma placa gráfica que você sabe que funciona e reinicie o computador. • Se o problema persistir ou se o computador tiver uma placa gráfica integrada, entre em contato com a Dell. Para obter informações sobre como entrar em contato com a Dell, consulte o <i>guia do usuário</i> on-line.
	<p>Ocorrência de uma possível falha na unidade de disquete ou no disco rígido.</p>	<p>Encaixe novamente todos os cabos de dados e de força e reinicialize o computador.</p>
	<p>Ocorrência de uma possível falha de USB.</p>	<p>Reinstale todos os dispositivos USB, verifique as conexões dos cabos e reinicie o computador.</p>

Padrão de luz	Descrição do problema	Solução sugerida
	<p>Nenhum módulo de memória foi detectado.</p>	<ul style="list-style-type: none"> • Se você tiver um módulo de memória instalado, reinstale-o e reinicie o computador. Para obter informações sobre como reinstalar os módulos de memória, consulte o <i>guia do usuário</i> on-line. • Se você tiver dois ou mais módulos de memória instalados, remova-os, reinstale um módulo e, em seguida, reinicie o computador. Se o computador inicializar normalmente, reinstale outro módulo. Continue até identificar o módulo com defeito ou até reinstalar todos os módulos sem erro. • Se disponível, instale no computador uma memória do mesmo tipo que esteja funcionando corretamente. • Se o problema persistir, entre em contato com a Dell. Para obter informações sobre como entrar em contato com a Dell, consulte o <i>guia do usuário</i> on-line.
	<p>Os módulos de memória foram detectados, mas existe um erro de configuração ou de compatibilidade.</p>	<ul style="list-style-type: none"> • Verifique se não há requisitos especiais de posicionamento do módulo de memória ou do conector de memória. • Verifique se os módulos de memória que você está instalando são compatíveis com o computador. • Se o problema persistir, entre em contato com a Dell. Para obter informações sobre como entrar em contato com a Dell, consulte o <i>guia do usuário</i> on-line.
	<p>Ocorrência de uma falha.</p> <p>Isto será mostrado também quando você entrar na configuração do sistema e pode não ser indicação de um problema.</p>	<ul style="list-style-type: none"> • Certifique-se de que os cabos entre a placa de sistema e as unidades de disco rígido, CD e DVD estejam conectados corretamente. • Verifique a mensagem do computador que aparece na tela do monitor. • Se o problema persistir, entre em contato com a Dell. Para obter informações sobre como entrar em contato com a Dell, consulte o <i>guia do usuário</i> on-line.

Códigos de bipe

Seu computador pode emitir uma série de bipes durante a inicialização se o monitor não puder mostrar os erros ou problemas. Essa série de bipes, chamada de código de bipes, identifica um problema. Um possível código de bipe (código 1 3-1) consiste em um bipe, uma seqüência rápida de três bipes e, em seguida, um bipe. Esse código de bipe informa que o computador encontrou um problema de memória.

Se o computador emitir bipes durante a inicialização:

- 1 Anote o código de bipe.
- 2 Consulte “Dell Diagnostics” na página 106 para identificar uma causa mais séria.
- 3 Entre em contato com a Dell para obter assistência técnica. Para obter informações sobre como entrar em contato com a Dell, consulte o *guia do usuário* on-line.

Código	Causa	Código	Causa
1-1-2	Falha de registro do microprocessador	3-1-4	Falha de registro da máscara de interrupção escrava
1-1-3	Falha na leitura/gravação da memória NVRAM	3-2-2	Falha de carregamento do vetor de interrupção
1-1-4	Falha no total de verificação de ROM BIOS	3-2-4	Falha no teste do controlador do teclado
1-2-1	Falha no temporizador de intervalo programável	3-3-1	Perda de força da NVRAM
1-2-2	Falha na inicialização do DMA	3-3-2	Configuração inválida da memória NVRAM
1-2-3	Falha de leitura/gravação no registro da página de DMA	3-3-4	Falha no teste da memória de vídeo
1-3	Falha no teste da memória de vídeo	3-4-1	Falha de inicialização da tela
1-3-1 a 2-4-4	A memória não está sendo corretamente identificada ou usada	3-4-2	Falha de atualização da tela
3-1-1	Falha no registro DMA escravo	3-4-3	Busca por falha ROM de vídeo
3-1-2	Falha no registro DMA mestre	4-2-1	Sem marcação de tempo
3-1-3	Falha de registro da máscara de interrupção mestre	4-2-2	Falha de desligamento
4-2-3	Falha na porta A20	4-4-1	Falha no teste de porta serial ou paralela
4-2-4	Interrupção inesperada no modo de proteção	4-4-2	Falha em descomprimir o código para memória transitória
4-3-1	Falha de memória no endereço acima 0FFFFh	4-4-3	Falha de teste do co-processador matemático
4-3-3	Falha do contador 2 do chip do temporizador	4-4-4	Falha de teste de cache
4-3-4	Relógio parou		

Como solucionar problemas de incompatibilidade de software e hardware

Se um dispositivo não for detectado durante a instalação do sistema operacional ou for detectado porém incorretamente configurado, você poderá usar o recurso Solução de problemas de hardware para resolver a incompatibilidade.

- 1 Clique no botão **Iniciar** e em **Ajuda e suporte**.
- 2 Digite **solução de problemas de hardware** no campo **Pesquisar** e clique na seta para iniciar a pesquisa.
- 3 Clique na opção **Solução de problemas de hardware** na lista **Resultados da pesquisa**.
- 4 Na lista **Solução de problemas de hardware**, clique em **Resolver um conflito de hardware em meu computador** e clique em **Avançar**.

Como usar o recurso “Restauração do sistema” do Microsoft® Windows® XP

O sistema operacional Microsoft Windows XP oferece o recurso de restauração do sistema para permitir que o computador volte para um estado anterior (sem afetar arquivos de dados) se as alterações de hardware, software ou de configurações do sistema tiverem deixado o computador em um estado operacional indesejável. Consulte o Centro de ajuda e suporte para obter informações sobre como usar a restauração do sistema. Para acessar o Centro de ajuda e suporte do Windows, consulte “Centro de ajuda e suporte do Windows” na página 66.



AVISO: Faça backups regulares dos arquivos de dados. A restauração do sistema não monitora nem recupera arquivos de dados.

Como criar pontos de restauração

- 1 Clique no botão **Iniciar** e em **Ajuda e suporte**.
- 2 Clique em **Restauração do sistema**.
- 3 Siga as instruções apresentadas na tela.

Como restaurar o computador a um estado operacional anterior



AVISO: Antes de restaurar o computador a um estado operacional anterior, salve e feche todos os arquivos e programas que estiverem abertos. Não altere, não abra nem apague qualquer arquivo ou programa enquanto a restauração do sistema não terminar.

- 1 Clique no botão **Iniciar**, aponte para **Todos os programas** → **Acessórios** → **Ferramentas do sistema** e depois clique em **Restauração do sistema**.
- 2 Marque a opção **Restaurar meu computador para um estado anterior** e clique em **Avançar**.
- 3 Clique na data do calendário para a qual você quer restaurar seu computador.

A tela **Selecionar um ponto de restauração** contém um calendário que permite a você ver e selecionar os pontos de restauração. Todas as datas no calendário com pontos de restauração disponíveis aparecem em negrito.

- 4 Selecione um ponto de restauração e clique em **Avançar**.

Se a data do calendário tiver apenas um ponto de restauração, esse ponto será selecionado automaticamente. Se houver dois ou mais pontos de restauração disponíveis, clique no que você preferir.


5 Clique em **Avançar**.

A tela **Restauração concluída** aparecerá quando o recurso de restauração do sistema concluir a coleta de dados e o computador será então reinicializado.

6 Após a reinicialização do computador, clique em **OK**.

Para alterar o ponto de restauração, você pode repetir as etapas usando um ponto de restauração diferente ou desfazer a restauração.

Como desfazer a última restauração do sistema

 **AVISO:** Antes de desfazer a última restauração do sistema, salve e feche todos os arquivos e programas que estiverem abertos. Não altere, não abra e nem apague qualquer arquivo ou programa enquanto a restauração do sistema não terminar.

- 1 Clique no botão **Iniciar**, aponte para **Todos os programas**→ **Acessórios**→ **Ferramentas do sistema** e clique em **Restauração do sistema**.
- 2 Clique em **Desfazer a última restauração** e em **Avançar**.
- 3 Clique em **Avançar**.
A tela **Restauração do sistema** aparecerá e o computador será reiniciado.
- 4 Após a reinicialização do computador, clique em **OK**.


Como ativar o recurso Restauração do sistema

Se você reinstalar o Windows XP com menos de 200 MB de espaço disponível no disco rígido, a Restauração do sistema será desativada automaticamente. Para ver se esse recurso está ativado:

- 1 Clique no botão **Iniciar** e em **Painel de controle**.
- 2 Clique em **Desempenho e manutenção**.
- 3 Clique em **Sistema**.
- 4 Clique na guia **Restauração do sistema**.
- 5 Verifique se a opção **Desativar restauração do sistema** está desmarcada.

Como reinstalar o Microsoft Windows XP

Primeiros passos

 **NOTA:** Os procedimentos contidos neste documento foram escritos para a exibição padrão do Windows XP Home Edition, portanto as etapas podem ser diferentes se você tiver configurado seu computador Dell no modo de exibição clássico do Windows ou se você estiver usando o Windows XP Professional.

Se você estiver considerando fazer a reinstalação do sistema operacional Windows XP para corrigir o problema de um driver instalado recentemente, tente primeiro usar o recurso Reverter driver de dispositivo do Windows XP.

- 1 Clique no botão **Iniciar** e depois em **Painel de controle**.
- 2 Em **Selecione uma categoria**, clique em **Desempenho e manutenção**.
- 3 Clique em **Sistema**.

- 4 Na janela **Propriedades do sistema**, clique na guia **Hardware**.
- 5 Clique em **Gerenciador de dispositivos**.
- 6 Clique com o botão direito no dispositivo para o qual o novo driver foi instalado e clique em **Propriedades**.
- 7 Clique na guia **Drivers**.
- 8 Clique em **Reverter driver**.

Se o recurso Reverter driver de dispositivo não solucionar o problema, use o recurso Restauração do sistema para retornar o sistema operacional ao estado em que se encontrava antes de você instalar o novo driver de dispositivo (consulte “Como usar o recurso “Restauração do sistema” do Microsoft® Windows® XP” na página 114).



NOTA: O CD *Drivers and Utilities* contém drivers que foram instalados durante a montagem do computador. Use este CD para carregar qualquer driver obrigatório, inclusive os drivers necessários para o caso de o computador ter um controlador RAID.

Como reinstalar o Windows XP



AVISO: Você precisa usar o Service Pack 1 ou mais recente do Windows XP ao reinstalar o Windows XP.



AVISO: Antes de executar a instalação, faça backup de todos os arquivos de dados de seu disco rígido principal. Em configurações convencionais, o disco rígido principal é a primeira unidade detectada pelo computador.

Para reinstalar o Windows XP, são necessários os seguintes itens:

- CD Dell do *sistema operacional*
- Dell CD *Drivers and Utilities*

Para reinstalar o Windows XP, execute todas as etapas das seções a seguir, na ordem em que elas aparecem.

O processo de reinstalação pode demorar de 1 a 2 horas para ser concluído. Após a reinstalação do sistema operacional, também será necessário reinstalar os drivers de dispositivos, o programa de proteção contra vírus e outros softwares.



AVISO: O CD do *sistema operacional* fornece opções para a reinstalação do Windows XP. As opções podem causar a sobregravação de arquivos e possivelmente afetar programas instalados no disco rígido. Portanto, não reinstale o Windows XP a não ser que receba instruções de um representante do suporte técnico Dell.



AVISO: Para evitar conflitos com o Windows XP, desative qualquer software antivírus instalado no computador antes de reinstalar o Windows XP. Consulte a documentação do software para obter instruções.

Como inicializar a partir do CD do sistema operacional

- 1 Salve e feche os arquivos abertos e saia dos programas abertos.
- 2 Insira o CD do *Sistema operacional*. Clique em **Exit (Sair)** se a mensagem **Instalar o Windows XP** aparecer.
- 3 Reinicialize o computador.
- 4 Pressione <F12> imediatamente após o logotipo DELL™ aparecer.

Se o logotipo do sistema operacional aparecer, aguarde até ver a área de trabalho do Windows, desligue o computador e tente novamente.

- 5 Pressione as teclas de seta para selecionar **CD-ROM** e pressione <Enter>.
- 6 Quando a mensagem **Pressione qualquer tecla para inicializar do CD** aparecer, pressione qualquer tecla.

Instalação do Windows XP

- 1 Quando a tela **Instalação do Windows XP** aparecer, pressione <Enter> para selecionar **Para instalar o Windows agora**.
- 2 Leia as informações apresentadas na tela **Contrato de licença do Microsoft Windows** e pressione <F8> para aceitar o contrato de licença.
- 3 Se o seu computador já tiver o Windows XP instalado e você quiser recuperar os dados atuais do Windows, digite **r** para selecionar a opção de reparo e remova o CD.
- 4 Se você quer instalar uma nova cópia do Windows XP, pressione <Esc> para selecionar essa opção.
- 5 Pressione <Enter> para selecionar a partição destacada (recomendável) e siga as instruções da tela.

A tela **Instalação do Windows XP** irá aparecer e o sistema operacional começará a copiar os arquivos e a instalar os dispositivos. O computador será reiniciado automaticamente várias vezes.



NOTA: O tempo necessário para concluir a instalação depende do tamanho da unidade de disco rígido e da velocidade do computador.



AVISO: Não pressione nenhuma tecla quando a seguinte mensagem aparecer: **Pressione qualquer tecla para inicializar a partir do CD**.


- 6 Quando a tela **Opções regionais e de idioma** aparecer, selecione as configurações de sua localidade e clique em **Avançar**.
- 7 Digite o seu nome e o nome da sua empresa (opcional) na tela **Personalizar o software** e clique em **Avançar**.
- 8 Na janela **Nome do computador e senha de administrador**, digite um nome para o seu computador (ou aceite o nome sugerido), digite uma senha e clique em **Avançar**.
- 9 Se a tela **Informações de discagem do modem** aparecer, digite as informações solicitadas e clique em **Avançar**.
- 10 Digite a data, o horário e o fuso horário na janela **Configurações de data e hora** e clique em **Avançar**.
- 11 Se a tela **Configurações de rede** aparecer, clique em **Típica** e em **Avançar**.
- 12 Se você estiver reinstalando o Windows XP Professional e for solicitado a fornecer mais informações referentes à configuração de rede, digite as suas seleções. Se não tiver certeza sobre suas configurações, aceite as seleções padrão.

O Windows XP instala os componentes do sistema operacional e configura o computador. O computador será reinicializado automaticamente.




AVISO: Não pressione nenhuma tecla quando a seguinte mensagem aparecer: **Pressione qualquer tecla para inicializar o computador a partir do CD**.

- 13 Quando a tela **Bem-vindo ao Microsoft** aparecer, clique em **Avançar**.

- 14 Quando a mensagem *Como este computador se conectará à Internet?* aparecer, clique em **Ignorar**.
 - 15 Quando a tela *Você está pronto para fazer o registro on-line na Microsoft?* aparecer, selecione a opção que diz que você **não está pronto para se registrar neste momento** e clique em **Avançar**.
 - 16 Quando a tela *Quem usará este computador?* aparecer, você poderá digitar até cinco usuários.
 - 17 Clique em **Avançar**.
 - 18 Clique em **Concluir** para concluir a instalação e remova o CD.
 - 19 Reinstalar os drivers corretos usando o CD *Drivers and Utilities*.
 - 20 Reinstale o software antivírus que tenha sido instalado no computador.
 - 21 Reinstale os seus programas.
-  **NOTA:** Para reinstalar e ativar os programas do conjunto Microsoft Office ou Microsoft Works, você precisa do número de chave do produto, localizado na parte traseira da capa do CD do Microsoft Office Suite ou Microsoft Works.

Como usar o CD “Drivers and Utilities”

Para usar o CD *Drivers and Utilities* (Drivers e utilitários), também conhecido como *ResourceCD* com o sistema operacional Windows:

 **NOTA:** Para acessar os drivers de dispositivos e a documentação do usuário, use o CD *Drivers and Utilities* (Drivers e utilitários) com o Windows.

- 1 Ligue o computador e deixe que ele inicialize a área de trabalho do Windows.
- 2 Insira o CD *Drivers and Utilities* (Drivers e utilitários) na unidade de CD.

Se você estiver usando o CD *Drivers and Utilities* (Drivers e utilitários) pela primeira vez neste computador, a janela **ResourceCD Installation** (Instalação do ResourceCD) irá se abrir para informar que o CD *Drivers and Utilities* está prestes a começar a instalação.

- 3 Clique em **OK** para continuar.

Para concluir a instalação, responda aos avisos exibidos pelo programa de instalação.

- 4 Clique em **Avançar** na tela **Welcome Dell System Owner** (Bem-vindo, proprietário do sistema Dell).

Escolha as opções adequadas para o **modelo do sistema, sistema operacional, tipo de dispositivo e tópico**.

Drivers para o computador

Para ver a lista dos drivers de dispositivo do seu computador:

- 1 Clique em **My Drivers** (Meus drivers) no menu suspenso **Topic** (Tópico).

O CD opcional *Drivers and Utilities* (Drivers e utilitários) analisa o hardware e o sistema operacional do computador e depois mostra uma lista de drivers de dispositivos para a configuração do seu sistema.

- 2 Clique no driver correto e siga as instruções para fazer download do driver para o computador.

Para ver todos os drivers do seu computador, clique em **Drivers** no menu suspenso **Topic** (Tópico).

Índice remissivo

A

arquivo de ajuda
centro de ajuda e suporte do
Windows, 66

C

CD do sistema
operacional, 66
CD Drivers and Utilities, 65
CDs
sistema operacional, 66
centro de ajuda e suporte, 66
códigos de bipe, 113
conflitos
incompatibilidade de software
e hardware, 114
conflitos de IRQ, 114
contrato de licença do usuário
final, 66

D

Dell
site de suporte, 67
Dell Diagnostics, 106
diagnósticos
códigos de bipe, 113
Dell Diagnostics, 106

documentação
contrato de licença do usuário
final, 66
de normalização, 66
ergonomia, 66
garantia, 66
Guia de Informações do
Produto, 66
guia do usuário, 65
on-line, 67
segurança, 66
drivers
lista de, 118

E

energia
luz, 74, 78
etiqueta de serviço, 67
etiquetas
etiqueta de serviço, 67
Microsoft Windows, 67

G

Guia de Informações do
Produto, 66
guia do usuário, 65

H

hardware
códigos de bipe, 113
conflitos, 114
Dell Diagnostics, 106

I

informações de ergonomia, 66
informações de garantia, 66
informações de
normalização, 66
instalação de peças
antes de começar a, 85
instruções de segurança, 66

L

luz de energia
diagnósticos com a, 109
luzes
diagnóstico, 110
energia, 74, 78
sistema, 109

M

mensagens de erro
códigos de bipe, 113
luzes de diagnóstico, 110
luzes do sistema, 109

P

placa de sistema, 93, 96, 102
placa-mãe. Consulte *placa de sistema*
placa-mãe. Consulte *placa de sistema*
problemas. Consulte *solução de problemas*

R

reinstalar
 Windows XP, 115
restauração do sistema, 114

S

sistema operacional
 reinstalação, 66
 reinstalar o Windows XP, 115
site de suporte na Web, 67
solução de problemas
 centro de ajuda e suporte, 66
 códigos de bipe, 113
 conflitos, 114
 Dell Diagnostics, 106
 luzes de diagnóstico, 110
 luzes do sistema, 109
 restaurar o sistema a um estado operacional anterior, 114
 solução de problemas de hardware, 114
solução de problemas de hardware, 114

T

tampa
 remoção, 85

W

Windows XP
 centro de ajuda e suporte, 66
 instalação, 117
 reinstalação, 66
 reinstalar, 115
 restauração do sistema, 114
 solução de problemas de hardware, 114

Dell™ OptiPlex™ 745

Guía de referencia rápida

Modelos DCTR, DCNE, DCSM y DCCY

www.dell.com | support.dell.com

Download from Www.Somanuals.com. All Manuals Search And Download.

Notas, avisos y precauciones



NOTA: Una NOTA indica información importante que le ayuda a hacer un mejor uso del equipo.



AVISO: Un AVISO indica la posibilidad de daños al hardware o pérdida de datos y le explica cómo evitar el problema.



PRECAUCIÓN: Una PRECAUCIÓN indica la posibilidad de sufrir daños materiales o personales, e incluso peligro de muerte.

Si ha adquirido un ordenador Dell™ Serie n, todas las referencias que aparecen en este documento relativas a los sistemas operativos de Microsoft® Windows® no son aplicables.

La información contenida en este documento puede modificarse sin aviso previo.

© 2006 Dell Inc. Todos los derechos reservados.

La reproducción de esta guía sin el permiso escrito de Dell Inc. queda terminantemente prohibida.

Marcas comerciales utilizadas en este texto: *Dell*, el logotipo de *DELL*, *Inspiron*, *Dell Precision*, *Dimension*, *OptiPlex*, *Latitude*, *PowerEdge*, *PowerVault*, *PowerApp* y *Dell OpenManage* son marcas comerciales de Dell Inc.; *Intel*, *Pentium* y *Celeron* son marcas comerciales registradas de Intel Corporation; *Microsoft* y *Windows* son marcas comerciales registradas de Microsoft Corporation.

Este documento puede incluir otras marcas y nombres comerciales para referirse a las entidades que son propietarias de los mismos o a sus productos. Dell Inc. renuncia a cualquier interés sobre la propiedad de marcas y nombres comerciales que no sean los suyos.

Modelos DCTR, DCNE, DCSM y DCCY

Agosto de 2006

N/P JH476


Rev. A00

Contenido

Búsqueda de información	125
Vistas del sistema	128
Ordenador minitorre— Vista anterior	128
Ordenador minitorre— Vista posterior	130
Ordenador minitorre — Conectores del panel posterior.	131
Ordenador de sobremesa— Vista anterior.	133
Ordenador de sobremesa— Vista posterior	134
Ordenador de sobremesa — Conectores del panel posterior.	135
Ordenador de formato reducido — Vista posterior	137
Ordenador de formato reducido — Vista posterior	138
Ordenador de formato reducido — Conectores del panel posterior.	139
Ordenador de formato ultrareducido — Vista anterior	141
Ordenador de formato ultrareducido — Vista lateral	142
Ordenador de formato ultrareducido — Vista posterior	143
Ordenador de formato ultrareducido — Conectores del panel posterior	143
Cómo quitar la cubierta del ordenador	144
Antes de empezar.	145
Ordenador de minitorre.	146
Ordenador de sobremesa.	147
Ordenador de formato reducido	148
Ordenador de formato ultrareducido	150
Interior de su ordenador	152
Ordenador de minitorre.	152
Ordenador de sobremesa.	155
Ordenadores de formato reducido	158
Ordenador de formato ultrareducido	161
Configuración del ordenador	163
Configurar el teclado y el ratón.	165
Configurar el monitor	165
Conexiones de alimentación	166
Solución de problemas	166
Dell Diagnostics.	166

Indicadores luminosos del sistema.	169
Indicadores de diagnóstico.	170
Códigos de sonido	172
Cómo resolver incompatibilidades de software y hardware.	173
Utilización de la función Restaurar sistema de Microsoft Windows XP	174
Cómo volver a instalar Microsoft Windows XP	175
Uso del CD Drivers and Utilities	178
Controladores para el ordenador.	178
Índice	179

Búsqueda de información

 **NOTA:** Algunas funciones o medios son opcionales y pueden no incluirse en su ordenador. Es posible que algunas funciones o medios no estén disponibles en determinados países.

 **NOTA:** Su ordenador puede incluir información adicional.

¿Qué busca?

- Un programa de diagnóstico para mi ordenador
- Controladores para mi ordenador
- La documentación de mi ordenador
- La documentación de mi dispositivo
- Software del sistema de escritorio (DSS)

Aquí lo encontrará

CD Drivers and Utilities (Controladores y utilidades) (ResourceCD)

NOTA: El CD denominado *Drivers and Utilities* (Controladores y utilidades) es opcional y es posible que no se entregue con el ordenador.

La documentación y los controladores ya están instalados en su ordenador. Puede utilizar el CD para volver a instalar los controladores (consulte el apartado “Uso del CD Drivers and Utilities” en la página 178), para ejecutar los Dell Diagnostics (consulte el apartado “Dell Diagnostics” en la página 166) o para acceder a la documentación.



Los archivos “readme” (léame) pueden estar incluidos en su CD para disponer de actualizaciones de última hora sobre los cambios técnicos del ordenador o material de consulta destinado a los técnicos o usuarios avanzados.

NOTA: Los controladores y las actualizaciones de la documentación se pueden encontrar en support.dell.com.

- Cómo extraer y cambiar piezas
- Especificaciones
- Cómo configurar los parámetros del sistema
- Cómo detectar y solucionar problemas

Guía del usuario Dell™ OptiPlex™

Centro de ayuda y soporte técnico de Microsoft Windows XP

1 Haga clic en Inicio → Ayuda y soporte técnico → Guías del usuario y del sistema Dell → Guías del sistema.

2 Haga clic en la *Guía del usuario* de su ordenador.

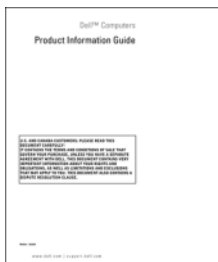
La *Guía del usuario* también está disponible en el CD opcional *Drivers and Utilities* (Controladores y utilidades).

¿Qué busca?

- Información sobre la garantía
- Términos y condiciones (sólo en EE.UU.)
- Instrucciones de seguridad
- Información reglamentaria
- Información ergonómica
- Contrato de licencia de usuario final

Aquí lo encontrará

Guía de información del producto de Dell™



-
- Cómo volver a instalar mi sistema operativo

CD Operating System (Sistema operativo)

NOTA: El CD *Operating System* (Sistema operativo) es opcional, por lo que es posible que no se envíe con su ordenador.

El sistema operativo ya está instalado en el ordenador. Para volver a instalar el sistema operativo, use el CD del *sistema operativo* (consulte el apartado “Cómo volver a instalar Microsoft Windows XP” en la página 175).



Después de volver a instalar el sistema operativo, utilice el CD opcional *Drivers and Utilities* (Controladores y utilidades) (*ResourceCD*) para reinstalar los controladores de los dispositivos que se proporcionan con el ordenador. Para obtener más información, consulte el apartado “CD Drivers and Utilities (Controladores y utilidades) (*ResourceCD*)” en la página 125.

La etiqueta con la clave del producto del sistema operativo se encuentra en el ordenador (consulte el apartado “Etiqueta de servicio y clave del producto de Microsoft® Windows®” en la página 127).

NOTA: El color del CD *Operating System* (Sistema operativo) varía en función del sistema operativo que haya solicitado.

-
- Cómo utilizar Windows XP
 - Cómo trabajar con programas y archivos
 - Cómo personalizar mi escritorio

Centro de ayuda y soporte técnico de Windows

- 1 Haga clic en **Inicio** → **Ayuda y soporte técnico**.
- 2 Escriba una palabra o frase que describa el problema y, a continuación, haga clic en el icono de flecha.
- 3 Haga clic en el tema que describa el problema.
- 4 Siga las instrucciones que aparecen en pantalla.

¿Qué busca?

- Etiqueta de servicio y Express Service Code (Código de servicio rápido)
- Etiqueta con la clave del producto de Microsoft Windows

Aquí lo encontrará

Etiqueta de servicio y clave del producto de Microsoft® Windows®

Estas etiquetas se encuentran en su ordenador.

- Utilice la etiqueta de servicio para identificar el ordenador cuando utilice support.dell.com o se ponga en contacto con el servicio de asistencia.
- Escriba el código de servicio urgente para dirigir su llamada cuando se ponga en contacto con el servicio de asistencia.



-
- Soluciones: consejos y orientación para la solución de problemas, artículos de técnicos, cursos en línea y preguntas frecuentes.
 - Comunidad: debates en línea con otros clientes de Dell.
 - Actualizaciones: información de actualización para componentes como, por ejemplo, la memoria, la unidad de disco duro y el sistema operativo.
 - Atención al cliente: información de contacto, llamada de servicio y estado de los pedidos, garantía e información de reparación.
 - Servicio y asistencia: historial de asistencia y estado de las llamadas de servicio, contrato de servicio, conversaciones en línea con el personal de asistencia
 - Referencia: documentación del ordenador, detalles en la configuración de mi ordenador, especificaciones del producto y documentación técnica.
 - Descargas: controladores certificados, revisiones y actualizaciones de software.
 - Desktop System Software (DSS): si vuelve a instalar el sistema operativo en el ordenador, también debe volver a instalar la utilidad DSS. DSS detecta automáticamente el ordenador y el sistema operativo e instala las actualizaciones adecuadas para su configuración, y ofrece actualizaciones importantes del sistema operativo y asistencia para las unidades de disquete USB de 3,5 pulgadas de Dell™, los procesadores Intel®, las unidades ópticas y los dispositivos USB. La utilidad DSS es necesaria para el correcto funcionamiento de su ordenador Dell.

Sitio web Dell Support — support.dell.com

NOTA: Seleccione su región o segmento de negocios para ver el sitio de asistencia técnica apropiado.

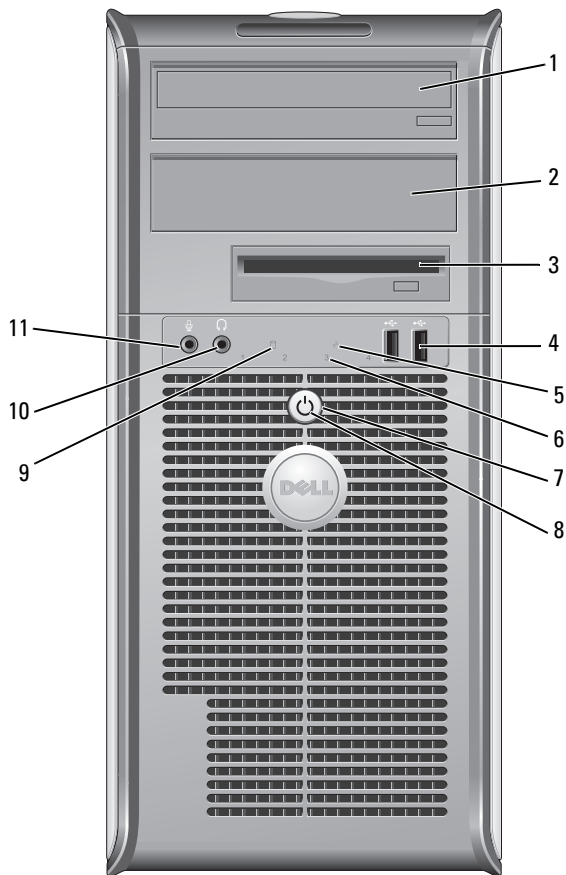
Para descargar Desktop System Software:



- 1 Vaya a support.dell.com, seleccione su zona o segmento empresarial e introduzca la etiqueta de servicio.
- 2 Seleccione **Drivers & Downloads** (Controladores y descargas) y, a continuación, haga clic en **Go** (Ir).
- 3 Haga clic en el sistema operativo y, a continuación, busque la palabra clave *Desktop System Software*.

NOTA: La interfaz para el usuario support.dell.com puede variar dependiendo de las selecciones que efectúe.

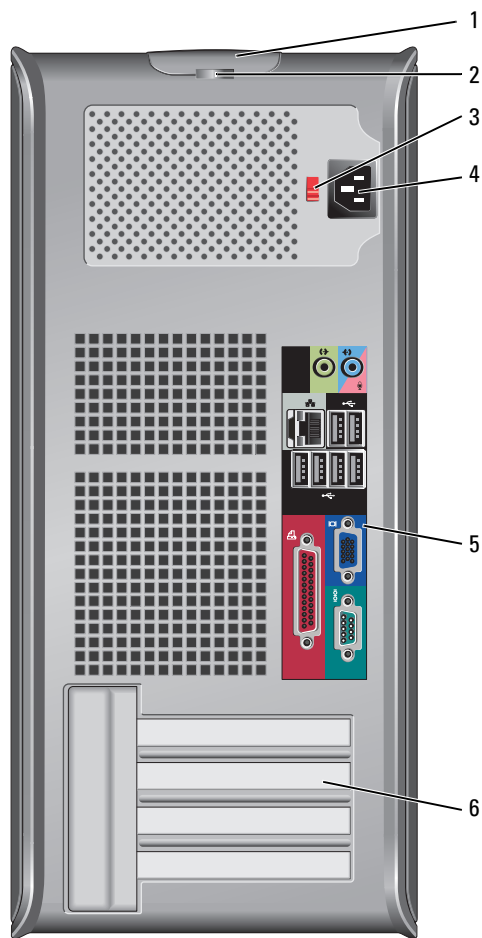
Vistas del sistema

Ordenador minitorre— Vista anterior



- | | | |
|----|---|--|
| 1 | Compartimento para unidad de 5,25 pulgadas | Puede contener una unidad óptica. Inserte un CD o DVD (si lo admite) en esta unidad. |
| 2 | Compartimento para unidad de 5,25 pulgadas | Puede contener una unidad óptica. Inserte un CD o DVD (si lo admite) en esta unidad. |
| 3 | Compartimento para unidad de 3,5 pulgadas | Puede contener una unidad de disquete opcional o Media Card Reader. |
| 4 | Conectores USB 2.0 (2) | <p>Utilice los conectores USB de la parte frontal del ordenador para los dispositivos que conecte ocasionalmente, como palancas de mando o cámaras, o para dispositivos USB de arranque (consulte la <i>Guía del usuario</i> en línea para obtener más información sobre cómo arrancar desde un dispositivo USB).</p> <p>Se recomienda la utilización de los conectores USB posteriores para los dispositivos que suelen permanecer siempre conectados como, por ejemplo, impresoras y teclados.</p> |
| 5 | Indicador luminoso de LAN | Este indicador señala que se ha establecido una conexión LAN (red de área local). |
| 6 | Indicadores de diagnóstico | Utilice los indicadores para solucionar problemas del ordenador basados en el código de diagnóstico. Para obtener más información, consulte el apartado “Indicadores de diagnóstico” en la página 170. |
| 7 | Botón de alimentación | <p>Pulse el botón de encendido para encender el ordenador.</p> <p> AVISO: Para evitar la pérdida de datos, no apague el ordenador pulsando el botón de alimentación. En su lugar, apague el ordenador mediante el sistema operativo. Consulte el apartado “Antes de empezar” en la página 145 para obtener más información.</p> <p> AVISO: Si su sistema operativo tiene ACPI activado, al pulsar el botón de alimentación el ordenador se apagará mediante el sistema operativo.</p> |
| 8 | Indicador de alimentación | <p>El indicador de alimentación se ilumina y parpadea o permanece encendido para indicar modos diferentes:</p> <ul style="list-style-type: none"> • Sin luz: el ordenador está apagado. • Verde sólido: el ordenador se encuentra en un estado de funcionamiento normal. • Verde intermitente: el ordenador se encuentra en un estado de ahorro de energía. • Ámbar continuo o parpadeante: consulte la <i>Guía del usuario</i> en línea. <p>Para salir de un modo de ahorro de energía, pulse el botón de encendido o utilice el teclado o el ratón si está configurado como un dispositivo de activación en el Administrador de dispositivos de Windows. Para obtener más información sobre los modos de suspensión y sobre cómo salir de un estado de ahorro de energía, consulte la <i>Guía del usuario</i> en línea.</p> <p>Consulte el apartado “Indicadores luminosos del sistema” en la página 169 para ver una descripción de los códigos luminosos que pueden ayudarle a solucionar problemas del ordenador.</p> |
| 9 | Indicador de actividad de la unidad de disco duro | Este indicador parpadea cuando se accede a la unidad de disco duro. |
| 10 | Conector para auriculares | Utilice el conector de los auriculares para conectar los auriculares y la mayoría de los altavoces. |
| 11 | Conector de micrófono | Utilice el conector del micrófono para colocar el micrófono. |

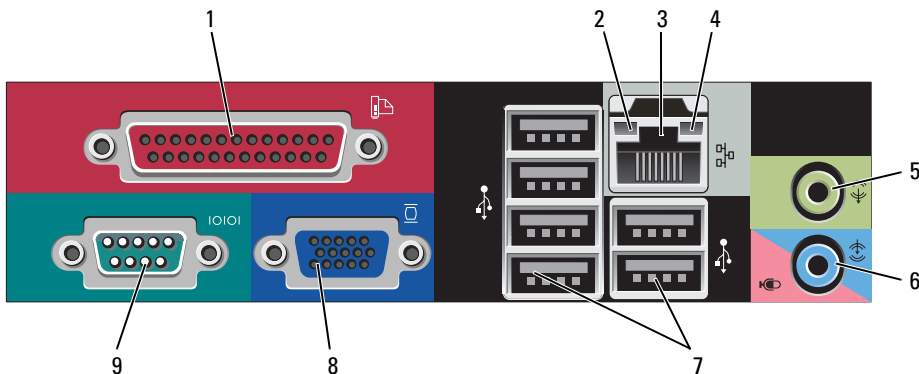
Ordenador minitorre— Vista posterior



- 1 Pestillo de liberación de la cubierta Este seguro le permite abrir la cubierta de su ordenador.
- 2 Anillo del candado Inserte un candado para bloquear la cubierta del ordenador.

- | | | |
|---|-------------------------------------|--|
| 3 | Interruptor de selección de voltaje | <p>El ordenador está equipado con un interruptor de selección de voltaje manual. Con el fin de evitar dañar un ordenador que tenga un interruptor de selección de voltaje manual, coloque dicho interruptor en la posición que más se parezca a la de la potencia de corriente alterna disponible en su área.</p> <p>➡ AVISO: El selector de voltaje debe establecerse en la posición de 115 V aunque la alimentación de CA en Japón sea de 100 V.</p> <p>Asimismo, asegúrese de que la clasificación eléctrica del monitor y los dispositivos conectados es la correcta según la potencia de corriente alterna disponible en su localidad.</p> |
| 4 | Conector de alimentación | Inserte el cable de alimentación. |
| 5 | Conectores del panel posterior | Enchufe los dispositivos serie, USB y de otro tipo en los conectores apropiados (consulte el apartado “Ordenador minitorre — Conectores del panel posterior” en la página 131). |
| 6 | Ranuras para tarjetas | Acceda a los conectores de las tarjetas PCI y PCI Express instaladas. |

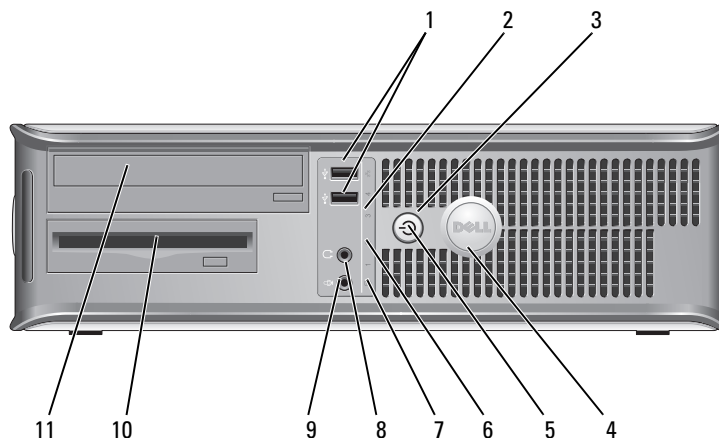
Ordenador minitorre — Conectores del panel posterior



- | | | |
|---|------------------------------------|--|
| 1 | Conector paralelo | <p>Conecte un dispositivo paralelo, como una impresora, al conector paralelo. Si tiene una impresora USB, enchúfela a un conector USB.</p> <p>NOTA: El conector paralelo integrado se desactiva automáticamente si el ordenador detecta una tarjeta instalada que contiene un conector paralelo configurado en la misma dirección. Para obtener más información, consulte la Guía del usuario en línea.</p> |
| 2 | Indicador de integridad de vínculo | <ul style="list-style-type: none"> • Verde: existe una conexión correcta entre una red a 10 Mbps y el ordenador. • Naranja: existe una conexión correcta entre una red a 100 Mbps y el ordenador. • Amarillo: existe una conexión correcta entre una red a 1.000 Mbps (o 1 Gbps) y el ordenador. • Apagado: el ordenador no detecta una conexión física con la red. |

- 3 Conector del adaptador de red Para conectar el ordenador a una red o a un dispositivo de banda ancha, conecte un extremo de un cable de red a un enchufe de red o a su dispositivo de banda ancha. Conecte el otro extremo del cable de red al conector del adaptador de red, situado en el panel posterior del ordenador. Cuando el cable de red se haya conectado correctamente, oirá un clic.
NOTA: No enchufe un cable de teléfono al conector de red.
En los ordenadores con tarjeta de conexión de red, utilice el conector de la tarjeta. Se recomienda que utilice cableado y conectores de categoría 5 para su red. Si debe utilizar la categoría 3 para cables, fuerce la velocidad de la red a 10 Mbps para garantizar un funcionamiento fiable.
- 4 Indicador de actividad de red Un indicador amarillo parpadea cuando el ordenador transmite o recibe datos de la red. Un gran volumen de tráfico en la red puede hacer que este indicador luminoso parezca estar continuamente encendido.
- 5 Conector de salida de línea Utilice el conector verde de salida de línea para conectar la mayoría de los altavoces con amplificadores integrados.
- 6 Conector del micrófono/línea de entrada Utilice el conector del micrófono/línea de entrada rosa para conectar un dispositivo de grabación/reproducción como un lector de cintas, reproductor de CD o vídeo; o un micrófono de PC para la entrada de voz o música en un programa de sonido o telefonía.
- 7 Conectores USB 2.0 (6) Utilice los conectores USB posteriores para los dispositivos que suelen permanecer siempre conectados como, por ejemplo, impresoras y teclados.
- 8 Conector de vídeo Conecte el cable del monitor compatible con VGA en el conector azul.
NOTA: Si ha adquirido una tarjeta gráfica opcional, este conector tendrá una tapa. Conecte el monitor al conector de la tarjeta de gráficos. No quite la tapa.
NOTA: Si utiliza una tarjeta gráfica compatible con monitores duales, utilice el cable en forma de "y" suministrado con el ordenador.
- 9 Conector serie Conecte un dispositivo serie, como un dispositivo portátil, al puerto serie. Las designaciones predeterminadas son COM1 para el conector serie 1 y COM2 para el conector serie 2.
Para obtener más información, consulte la *Guía del usuario* en línea.

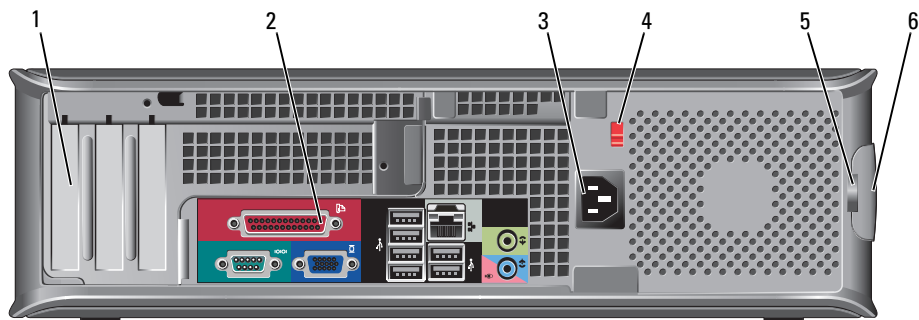
Ordenador de sobremesa— Vista anterior



- 1 Conectores USB 2.0 (2)** Utilice los conectores USB de la parte frontal del ordenador para los dispositivos que conecte ocasionalmente, como palancas de mando o cámaras, o para dispositivos USB de arranque (consulte la *Guía del usuario* en línea para obtener más información sobre cómo arrancar desde un dispositivo USB).
Se recomienda la utilización de los conectores USB posteriores para los dispositivos que suelen permanecer siempre conectados como, por ejemplo, impresoras y teclados.
- 2 Indicador luminoso de LAN** Este indicador señala que se ha establecido una conexión LAN (red de área local).
- 3 Botón de alimentación** Pulse el botón de encendido para encender el ordenador.
➡ AVISO: Para evitar la pérdida de datos, no apague el ordenador pulsando el botón de alimentación. En su lugar, apague el ordenador mediante el sistema operativo. Consulte el apartado “Antes de empezar” en la página 145 para obtener más información.
➡ AVISO: Si su sistema operativo tiene ACPI activado, al pulsar el botón de alimentación el ordenador se apagará mediante el sistema operativo.
- 4 Placa de identificación de Dell** Esta placa puede girarse de modo que esté orientada igual que su ordenador. Para girarla, coloque los dedos alrededor de la placa, presione con fuerza y gírela. También puede girarla utilizando la ranura que hay cerca de la parte inferior de la placa.

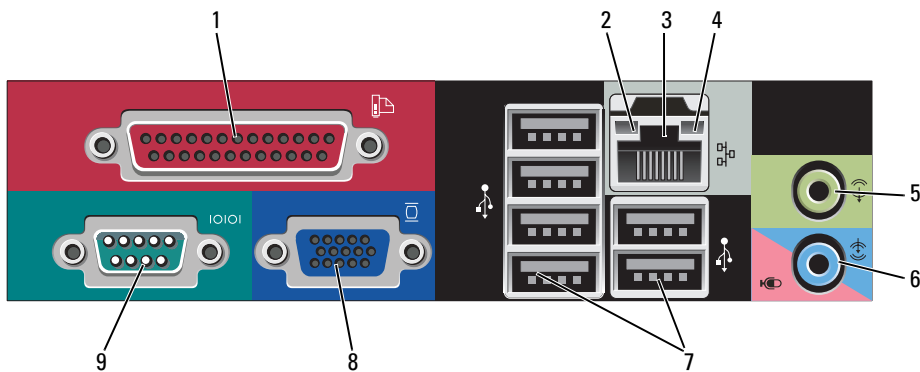
- | | | |
|----|---|--|
| 5 | Indicador de alimentación | <p>El indicador de alimentación se ilumina y parpadea o permanece encendido para indicar estados diferentes:</p> <ul style="list-style-type: none"> • Sin luz: el ordenador está apagado. • Verde sólido: el ordenador se encuentra en un estado de funcionamiento normal. • Verde intermitente: el ordenador se encuentra en un estado de ahorro de energía. • Ámbar continuo o parpadeante: consulte la <i>Guía del usuario</i> en línea. <p>Para salir de un modo de ahorro de energía, pulse el botón de encendido o utilice el teclado o el ratón si está configurado como un dispositivo de activación en el Administrador de dispositivos de Windows. Para obtener más información sobre los modos de suspensión y sobre cómo salir de un estado de ahorro de energía, consulte la <i>Guía del usuario</i> en línea.</p> <p>Consulte el apartado “Indicadores luminosos del sistema” en la página 169 para ver una descripción de los códigos luminosos que pueden ayudarle a solucionar problemas del ordenador.</p> |
| 6 | Indicadores de diagnóstico | <p>Utilice los indicadores para solucionar problemas del ordenador basados en el código de diagnóstico. Para obtener más información, consulte “Indicadores de diagnóstico” en la página 170.</p> |
| 7 | Indicador de actividad de la unidad de disco duro | <p>Este indicador parpadea cuando se accede a la unidad de disco duro.</p> |
| 8 | Conector para auriculares | <p>Utilice el conector de los auriculares para conectar los auriculares y la mayoría de los altavoces.</p> |
| 9 | Conector de micrófono | <p>Utilice el conector del micrófono para colocar el micrófono.</p> |
| 10 | Compartimento para unidad de 3,5 pulgadas | <p>Puede contener una unidad de disquete opcional o Media Card Reader.</p> |
| 11 | Compartimento para unidad de 5,25 pulgadas | <p>Puede contener una unidad óptica. Inserte un CD o DVD (si lo admite) en esta unidad.</p> |

Ordenador de sobremesa— Vista posterior



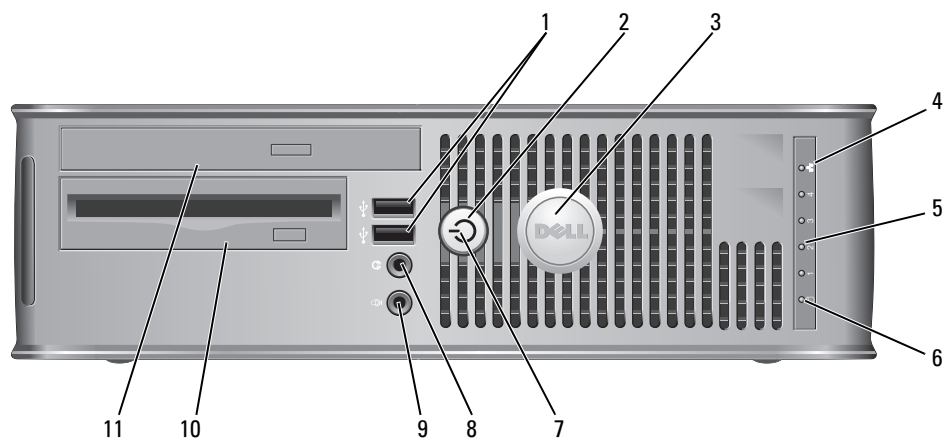
- | | | |
|---|---------------------------------------|---|
| 1 | Ranuras para tarjetas | Acceda a los conectores de las tarjetas PCI y PCI Express instaladas. |
| 2 | Conectores del panel posterior | Enchufe los dispositivos serie, USB y de otro tipo en los conectores apropiados (consulte el apartado “Ordenador de sobremesa — Conectores del panel posterior” en la página 135). |
| 3 | Conector de alimentación | Inserte el cable de alimentación. |
| 4 | Interruptor de selección de voltaje | El ordenador está equipado con un interruptor de selección de voltaje manual.
Con el fin de evitar dañar un ordenador que tenga un interruptor de selección de voltaje manual, coloque dicho interruptor en la posición que más se parezca a la de la potencia de corriente alterna disponible en su área: |
| | | ⏪ AVISO: El selector de voltaje debe establecerse en la posición de 115 V aunque la alimentación de CA en Japón sea de 100 V. |
| | | Asimismo, asegúrese de que la clasificación eléctrica del monitor y los dispositivos conectados es la correcta según la potencia de corriente alterna disponible en su localidad. |
| 5 | Anillo del candado | Inserte un candado para bloquear la cubierta del ordenador. |
| 6 | Pestillo de liberación de la cubierta | Le permite abrir la cubierta del ordenador. |

Ordenador de sobremesa — Conectores del panel posterior



- | | | |
|---|---|---|
| 1 | Conector paralelo | <p>Conecte un dispositivo paralelo, como una impresora, al conector paralelo. Si tiene una impresora USB, enchúfela a un conector USB.</p> <p>NOTA: El conector paralelo integrado se desactiva automáticamente si el ordenador detecta una tarjeta instalada que contiene un conector paralelo configurado en la misma dirección. Para obtener más información, consulte la <i>Guía del usuario</i> en línea.</p> |
| 2 | Indicador de integridad de vínculo | <ul style="list-style-type: none"> • Verde: existe una conexión correcta entre una red a 10 Mbps y el ordenador. • Naranja: existe una conexión correcta entre una red a 100 Mbps y el ordenador. • Amarillo: existe una conexión correcta entre una red a 1.000 Mbps (o 1 Gbps) y el ordenador. • Apagado: el ordenador no detecta una conexión física con la red. |
| 3 | Conector del adaptador de red | <p>Para conectar el ordenador a una red o a un dispositivo de banda ancha, conecte un extremo de un cable de red a un enchufe de red o a su dispositivo de banda ancha. Conecte el otro extremo del cable de red al conector del adaptador de red, situado en el panel posterior del ordenador. Cuando el cable de red se haya conectado correctamente, oirá un clic.</p> <p>NOTA: No enchufe un cable de teléfono al conector de red.</p> <p>En los ordenadores con tarjeta de conexión de red, utilice el conector de la tarjeta. Se recomienda que utilice cableado y conectores de categoría 5 para su red. Si debe utilizar la categoría 3 para cables, fuerce la velocidad de la red a 10 Mbps para garantizar un funcionamiento fiable.</p> |
| 4 | Indicador de actividad de red | <p>Un indicador amarillo parpadea cuando el ordenador transmite o recibe datos de la red. Un gran volumen de tráfico en la red puede hacer que este indicador luminoso parezca estar continuamente encendido.</p> |
| 5 | Conector de salida de línea | <p>Utilice el conector verde de salida de línea para conectar la mayoría de los altavoces con amplificadores integrados.</p> |
| 6 | Conector del micrófono/línea de entrada | <p>Utilice el conector del micrófono/línea de entrada rosa para conectar un dispositivo de grabación/reproducción como un lector de cintas, reproductor de CD o vídeo; o un micrófono de PC para la entrada de voz o música en un programa de sonido o telefonía.</p> |
| 7 | Conectores USB 2.0 (6) | <p>Utilice los conectores USB posteriores para los dispositivos que suelen permanecer siempre conectados como, por ejemplo, impresoras y teclados.</p> |
| 8 | Conector de vídeo | <p>Conecte el cable del monitor compatible con VGA en el conector azul.</p> <p>NOTA: Si ha adquirido una tarjeta gráfica opcional, este conector tendrá una tapa. Conecte el monitor al conector de la tarjeta de gráficos. No quite la tapa.</p> <p>NOTA: Si utiliza una tarjeta gráfica compatible con monitores duales, utilice el cable en forma de "y" suministrado con el ordenador.</p> |
| 9 | Conector serie | <p>Conecte un dispositivo serie, como un dispositivo portátil, al puerto serie. Las designaciones predeterminadas son COM1 para el conector serie 1 y COM2 para el conector serie 2.</p> <p>Para obtener más información, consulte la <i>Guía del usuario</i> en línea.</p> |

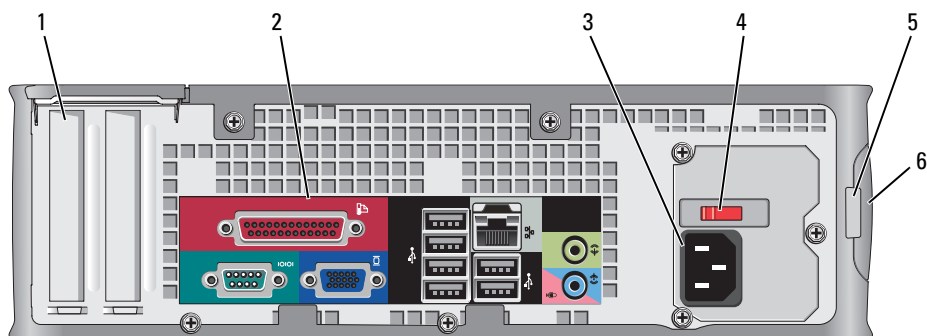
Ordenador de formato reducido — Vista posterior



- 1** Conectores USB 2.0 (2) Utilice los conectores USB de la parte frontal del ordenador para los dispositivos que conecte ocasionalmente, como palancas de mando o cámaras, o para dispositivos USB de arranque (consulte la *Guía del usuario* en línea para obtener más información sobre cómo arrancar desde un dispositivo USB).
Se recomienda la utilización de los conectores USB posteriores para los dispositivos que suelen permanecer siempre conectados como, por ejemplo, impresoras y teclados.
- 2** Botón de alimentación Púlselo para encender el ordenador.
⚠ AVISO: Para evitar la pérdida de datos, no apague el ordenador pulsando el botón de alimentación. En su lugar, apague el ordenador mediante el sistema operativo. Consulte el apartado “Antes de empezar” en la página 145 para obtener más información.
⚠ AVISO: Si su sistema operativo tiene ACPI activado, al pulsar el botón de alimentación el ordenador se apagará mediante el sistema operativo.
- 3** Placa de identificación de Dell Puede girarse de modo que esté orientada igual que su ordenador. Para girarla, coloque los dedos alrededor de la placa, presione con fuerza y gírela. También puede girarla utilizando la ranura que hay cerca de la parte inferior de la placa.
- 4** Indicador luminoso de LAN Indica que se ha establecido una conexión LAN (red de área local).
- 5** Indicadores de diagnóstico Utilice los indicadores para solucionar problemas del ordenador basados en el código de diagnóstico. Para obtener más información, consulte el apartado “Indicadores de diagnóstico” en la página 170.
- 6** Indicador luminoso de actividad de la unidad de disco duro Este indicador parpadea cuando se accede a la unidad de disco duro.

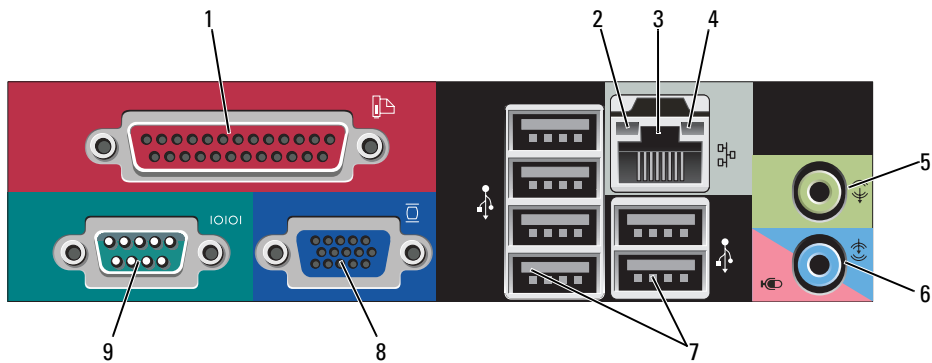
- | | | |
|----|--|---|
| 7 | Indicador de alimentación | <p>El indicador de alimentación se ilumina y parpadea o permanece encendido para indicar estados diferentes:</p> <ul style="list-style-type: none"> • Sin luz: el ordenador está apagado. • Verde sólido: el ordenador se encuentra en un estado de funcionamiento normal. • Verde parpadeante: el ordenador se encuentra en un modo de ahorro de energía. • Ámbar continuo o parpadeante: consulte la <i>Guía del usuario</i> en línea. <p>Para salir de un modo de ahorro de energía, pulse el botón de encendido o utilice el teclado o el ratón si está configurado como un dispositivo de activación en el Administrador de dispositivos de Windows. Para obtener más información sobre los modos de suspensión y sobre cómo salir de un estado de ahorro de energía, consulte la <i>Guía del usuario</i> en línea.</p> <p>Consulte el apartado “Indicadores luminosos del sistema” en la página 169 para obtener una descripción de los códigos luminosos que pueden ayudarle a solucionar problemas del ordenador.</p> |
| 8 | Conector para auriculares | Utilice el conector de los auriculares para conectar los auriculares y la mayoría de los altavoces. |
| 9 | Conector de micrófono | Utilice el conector del micrófono para colocar el micrófono. |
| 10 | Compartimento para unidad de 3,5 pulgadas | Puede contener una unidad de disquete opcional o Media Card Reader. |
| 11 | Compartimento para unidad de 5,25 pulgadas | Puede contener una unidad óptica. Inserte un CD o DVD (si lo admite) en esta unidad. |

Ordenador de formato reducido — Vista posterior



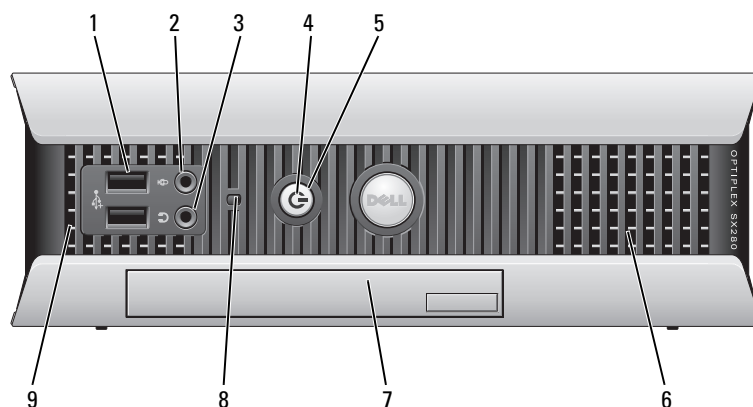
- | | | |
|---|---------------------------------------|--|
| 1 | Ranuras para tarjetas | Acceda a los conectores de las tarjetas PCI y PCI Express instaladas. |
| 2 | Conectores del panel posterior | Enchufe los dispositivos serie, USB y de otro tipo en los conectores apropiados (consulte el apartado “Ordenador de formato reducido — Conectores del panel posterior” en la página 139). |
| 3 | Conector de alimentación | Inserte el cable de alimentación. |
| 4 | Interruptor de selección de voltaje | El ordenador está equipado con un interruptor de selección de voltaje manual.
Con el fin de evitar dañar un ordenador que tenga un interruptor de selección de voltaje manual, coloque dicho interruptor en la posición que más se parezca a la de la potencia de corriente alterna disponible en su área: |
| | | <p>➡ AVISO: El selector de voltaje debe establecerse en la posición de 115 V aunque la alimentación de CA en Japón sea de 100 V.</p> <p>Asimismo, asegúrese de que la clasificación eléctrica del monitor y los dispositivos conectados es la correcta según la potencia de corriente alterna disponible en su localidad.</p> |
| 5 | Anillo del candado | Inserte un candado para bloquear la cubierta del ordenador. |
| 6 | Pestillo de liberación de la cubierta | Le permite abrir la cubierta del ordenador. |

Ordenador de formato reducido — Conectores del panel posterior



- | | | |
|---|---|---|
| 1 | Conector paralelo | <p>Conecte un dispositivo paralelo, como una impresora, al conector paralelo. Si tiene una impresora USB, enchúfela a un conector USB.</p> <p>NOTA: El conector paralelo integrado se desactiva automáticamente si el ordenador detecta una tarjeta instalada que contiene un conector paralelo configurado en la misma dirección. Para obtener más información, consulte la <i>Guía del usuario</i> en línea.</p> |
| 2 | Indicador de integridad de vínculo | <ul style="list-style-type: none"> • Verde: existe una conexión correcta entre una red a 10 Mbps y el ordenador. • Naranja: existe una conexión correcta entre una red a 100 Mbps y el ordenador. • Amarillo: existe una conexión correcta entre una red a 1.000 Mbps (o 1 Gbps) y el ordenador. • Apagado: el ordenador no detecta una conexión física con la red. |
| 3 | Conector del adaptador de red | <p>Para conectar el ordenador a una red o a un dispositivo de banda ancha, conecte un extremo de un cable de red a un enchufe de red o a su dispositivo de banda ancha. Conecte el otro extremo del cable de red al conector del adaptador de red, situado en el panel posterior del ordenador. Cuando el cable de red se haya conectado correctamente, oirá un clic.</p> <p>NOTA: No enchufe un cable de teléfono al conector de red.</p> <p>En los ordenadores con tarjeta de conexión de red, utilice el conector de la tarjeta. Se recomienda que utilice cableado y conectores de categoría 5 para su red. Si debe utilizar la categoría 3 para cables, fuerce la velocidad de la red a 10 Mbps para garantizar un funcionamiento fiable.</p> |
| 4 | Indicador de actividad de red | <p>Un indicador amarillo parpadea cuando el ordenador transmite o recibe datos de la red. Un gran volumen de tráfico en la red puede hacer que este indicador luminoso parezca estar continuamente encendido.</p> |
| 5 | Conector de salida de línea | <p>Utilice el conector de salida de línea verde (disponible en ordenadores con sonido integrado) para conectar la mayoría de los altavoces con amplificadores integrados.</p> |
| 6 | Conector del micrófono/línea de entrada | <p>Utilice el conector del micrófono/línea de entrada rosa (disponible en ordenadores con sonido integrado) para conectar un dispositivo de grabación/reproducción como un lector de cintas, reproductor de CD o vídeo; o un micrófono de PC para la entrada de voz o música en un programa de sonido o telefonía.</p> |
| 7 | Conectores USB 2.0 (6) | <p>Utilice los conectores USB posteriores para los dispositivos que suelen permanecer siempre conectados como, por ejemplo, impresoras y teclados.</p> |
| 8 | Conector de vídeo | <p>Conecte el cable del monitor compatible con VGA en el conector azul.</p> <p>NOTA: Si ha adquirido una tarjeta gráfica opcional, este conector tendrá una tapa. Conecte el monitor al conector de la tarjeta de gráficos. No quite la tapa.</p> <p>NOTA: Si utiliza una tarjeta gráfica compatible con monitores duales, utilice el cable en forma de "y" suministrado con el ordenador.</p> |
| 9 | Conector serie | <p>Conecte un dispositivo serie, como un dispositivo portátil, al puerto serie. Las designaciones predeterminadas son COM1 para el conector serie 1 y COM2 para el conector serie 2.</p> <p>Para obtener más información, consulte la <i>Guía del usuario</i> en línea.</p> |

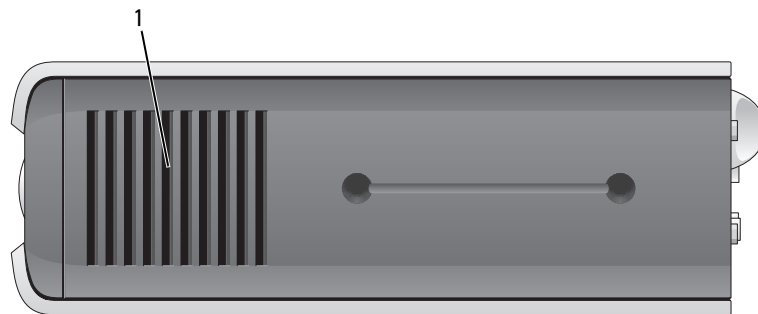
Ordenador de formato ultrareducido — Vista anterior



- 1 Conectores USB (2)** Utilice los conectores USB de la parte frontal del ordenador para los dispositivos que conecte ocasionalmente, como palancas de mando o cámaras, o para dispositivos USB de arranque (consulte la *Guía del usuario* en línea para obtener más información sobre cómo arrancar desde un dispositivo USB).
Se recomienda la utilización de los conectores USB posteriores para los dispositivos que suelen permanecer siempre conectados como, por ejemplo, impresoras y teclados.
- 2 Conector para auriculares** Utilice el conector de los auriculares para conectar los auriculares y la mayoría de los altavoces.
- 3 Conector de micrófono** Utilice el conector del micrófono para colocar el micrófono.
- 4 Indicador de alimentación** El indicador de alimentación se ilumina y parpadea o permanece encendido para indicar estados diferentes:
 - Apagado: el ordenador está apagado.
 - Verde sólido: el ordenador se encuentra en un estado de funcionamiento normal.
 - Verde intermitente: el ordenador se encuentra en un estado de ahorro de energía.
 - Amarillo continuo o parpadeante: consulte la *Guía del usuario* en línea.Para salir de un modo de ahorro de energía, pulse el botón de encendido o utilice el teclado o el ratón si está configurado como un dispositivo de activación en el Administrador de dispositivos de Windows. Para obtener más información sobre los modos de suspensión y sobre cómo salir de un estado de ahorro de energía, consulte la *Guía del usuario* en línea.
Consulte el apartado “Indicadores luminosos del sistema” en la página 169 para ver una descripción de los códigos luminosos que pueden ayudarle a solucionar problemas del ordenador.

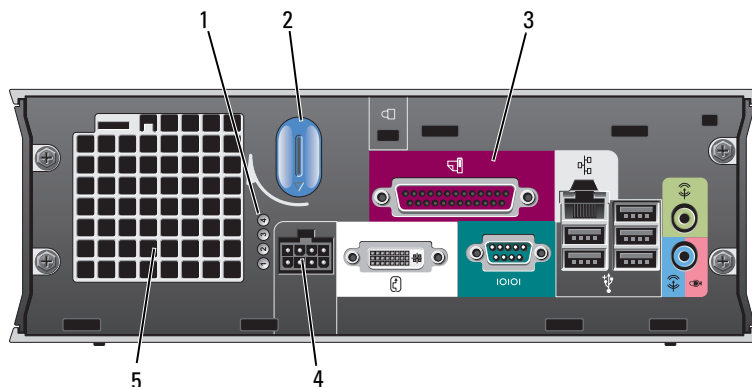
- 5 Botón de alimentación Pulse el botón de encendido para encender el ordenador.
- 6 Rejillas de ventilación Las rejillas de ventilación evitan que el ordenador se caliente en exceso. Para garantizar una ventilación adecuada, no bloquee estas rejillas de ventilación.
- 7 Compartimento para módulos Instale una unidad óptica de módulo D, una segunda unidad de disco duro o una unidad de disquete en el compartimento para módulos.
- 8 Luz de acceso a la unidad de disco duro El indicador de acceso a la unidad de disco duro se enciende cuando el ordenador lee o escribe datos en la unidad de disco duro. Es posible que la luz esté encendida cuando funcionen los dispositivos de su reproductor de CD.
- 9 Rejillas de ventilación Las rejillas de ventilación evitan que el ordenador se caliente en exceso. Para garantizar una ventilación adecuada, no bloquee estas rejillas de ventilación.

Ordenador de formato ultrareducido — Vista lateral



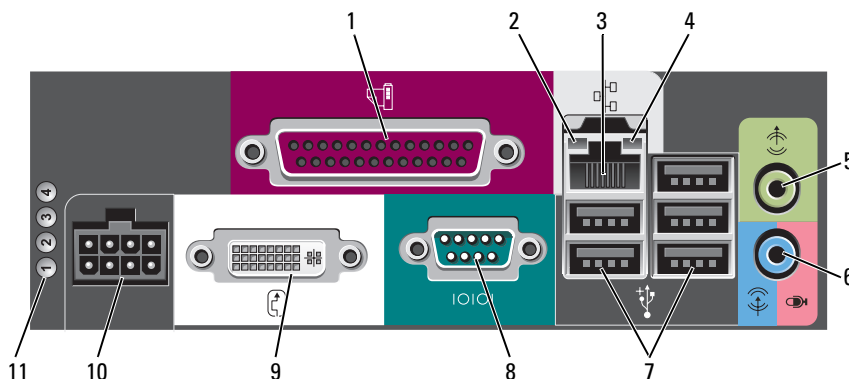
- 1 Rejillas de ventilación Las rejillas de ventilación, situadas en los laterales del ordenadores, evitan que el ordenador se caliente en exceso. Para garantizar una ventilación adecuada, no bloquee estas rejillas de ventilación.

Ordenador de formato ultrareducido — Vista posterior



- | | | |
|---|--|--|
| 1 | Indicadores de diagnóstico | Consulte el apartado “Indicadores de diagnóstico” en la página 170 para ver una descripción de los códigos luminosos que pueden ayudarle a solucionar problemas del ordenador. |
| 2 | Botón de liberación de la cubierta del ordenador | Gire este botón en el sentido de las manecillas del reloj para retirar la cubierta. |
| 3 | Conectores del panel posterior | Los conectores del ordenador (consulte el apartado “Ordenador de formato ultrareducido — Conectores del panel posterior” en la página 143). |
| 4 | Conector de alimentación | Inserte el cable de alimentación. |
| 5 | Rejillas de ventilación | Las rejillas de ventilación evitan que el ordenador se caliente en exceso. Para garantizar una ventilación adecuada, no bloquee estas rejillas de ventilación. |

Ordenador de formato ultrareducido — Conectores del panel posterior



- | | | |
|----|---|---|
| 1 | Conector paralelo | Conecte un dispositivo paralelo, como una impresora, al conector paralelo. Si tiene una impresora USB, enchúfela a un conector USB. |
| 2 | Indicador de integridad de vínculo | <ul style="list-style-type: none"> • Verde: existe una conexión correcta entre una red a 10 Mbps y el ordenador. • Naranja: existe una conexión correcta entre una red a 100 Mbps y el ordenador. • Amarillo: existe una conexión correcta entre una red a 1.000 Mbps (o 1 Gbps) y el ordenador. • Desactivado: el ordenador no detecta ninguna conexión física con la red o la controladora de red está apagada en la configuración del sistema. |
| 3 | Adaptador de red | <p>Para conectar el ordenador a una red o a un dispositivo de banda ancha, conecte un extremo de un cable de red a un enchufe de red o a su dispositivo de banda ancha. Conecte el otro extremo del cable de red al conector del adaptador de red, situado en el panel posterior del ordenador. Cuando el cable de red se haya conectado correctamente, oirá un clic.</p> <p>NOTA: No enchufe un cable de teléfono al conector de red.</p> <p>En los ordenadores con tarjeta de conexión de red, utilice el conector de la tarjeta. Se recomienda que utilice cableado y conectores de categoría 5 para su red. Si debe utilizar la categoría 3 para cables, fuerce la velocidad de la red a 10 Mbps para garantizar un funcionamiento fiable.</p> |
| 4 | Indicador de actividad de red | El indicador ámbar parpadea cuando el ordenador transmite o recibe datos de la red. Un gran volumen de tráfico en la red puede hacer que este indicador luminoso parezca estar continuamente encendido. |
| 5 | Conector de salida de línea | Utilice el conector verde de salida de línea para enchufar unos altavoces con amplificador. |
| 6 | Conector del micrófono/línea de entrada | Utilice el conector del micrófono/línea de entrada rosa para conectar un dispositivo de grabación/reproducción como un lector de cintas, reproductor de CD o vídeo; o un micrófono de PC para la entrada de voz o música en un programa de sonido o telefonía. |
| 7 | Conectores USB (5) | Utilice los conectores USB posteriores para los dispositivos que suelen permanecer siempre conectados como, por ejemplo, impresoras y teclados. |
| 8 | Conector serie | Conecte un dispositivo serie, como un dispositivo de bolsillo, al conector serie. |
| 9 | Conector de vídeo | <p>Si su monitores compatible con DVI, conecte el cable del monitor en el conector blanco del panel posterior.</p> <p>Si tiene un monitor VGA, consulte el apartado relativo a la conexión de monitores VGA en la <i>Guía del usuario</i> del ordenador.</p> |
| 10 | Conector de alimentación | El conector del adaptador de alimentación. |
| 11 | Indicadores de diagnóstico | Consulte el apartado “Indicadores de diagnóstico” en la página 170 para ver una descripción de los códigos luminosos que pueden ayudarle a solucionar problemas del ordenador. |

Cómo quitar la cubierta del ordenador



PRECAUCIÓN: Antes de comenzar cualquiera de los procedimientos de esta sección, siga las instrucciones de seguridad que se encuentran en la *Guía de información del producto*.



PRECAUCIÓN: Para protegerse de las descargas eléctricas, desconecte el ordenador de la toma de corriente eléctrica antes de retirar la cubierta.

Antes de empezar

- ➔ **AVISO:** Para evitar la pérdida de datos, guarde y cierre todos los archivos abiertos y salga de todos los programas abiertos antes de apagar el ordenador.
- 1 Apague el sistema operativo:
 - a Guarde y cierre los archivos abiertos, salga de todos los programas, haga clic en el botón **Inicio** y luego en **Apagar ordenador**.
 - b En la ventana **Apagar ordenador**, haga clic en **Apagar**.
El ordenador se apaga una vez finalizado el proceso de cierre del sistema operativo.
- 2 Asegúrese de que el ordenador y los dispositivos conectados estén apagados. Si el ordenador y los dispositivos conectados no se apagaron automáticamente cuando apagó el sistema operativo, apáguelos ahora.

Antes de trabajar en el interior de su ordenador

Aplique las siguientes pautas de seguridad para proteger el ordenador contra posibles daños y garantizar su propia seguridad personal.

- ⚠ **PRECAUCIÓN:** Antes de comenzar cualquiera de los procedimientos de esta sección, siga las instrucciones de seguridad que se encuentran en la *Guía de información del producto*.
- ⚠ **PRECAUCIÓN:** Manipule los componentes y las tarjetas con precaución. No toque los componentes o contactos ubicados en una tarjeta. Sostenga las tarjetas por sus bordes o por su soporte metálico de montaje. Sujete un componente, como un procesador, por sus bordes y no por sus patas.
- ➔ **AVISO:** Sólo un técnico certificado debe realizar reparaciones en el ordenador. La garantía no cubre los daños por reparaciones no autorizadas por Dell.
- ➔ **AVISO:** Cuando desconecte un cable, tire de su conector o de su lazo liberador de tensión, y no del cable mismo. Algunos cables cuentan con un conector que tiene lengüetas de sujeción; si está desconectando un cable de este tipo, presione las lengüetas de sujeción antes de desconectar el cable. Cuando separe conectores, manténgalos alineados para evitar doblar las patas de conexión. Además, antes de conectar un cable, asegúrese de que los dos conectores estén orientados y alineados correctamente.

Para evitar daños en el ordenador, realice los pasos siguientes antes de comenzar a trabajar dentro del ordenador.

- 1 Apague el ordenador.
 - ➔ **AVISO:** Para desconectar un cable de red, desconecte primero el cable del ordenador y, a continuación, del enchufe de red de la pared.
 - 2 Desconecte del ordenador las líneas de teléfono o de telecomunicaciones.
 - 3 Desconecte el ordenador y todos los dispositivos conectados de las tomas de alimentación eléctrica correspondientes y, a continuación, pulse el botón de encendido para conectar a tierra la placa base.
 - 4 Si fuera aplicable, retire la base del ordenador (para obtener más instrucciones, consulte la documentación que se incluye con la base).
- ⚠ **PRECAUCIÓN:** Para protegerse de las descargas eléctricas, desconecte el ordenador de la toma de corriente eléctrica antes de retirar la cubierta.

5 Retire la cubierta del sistema.

- Retire la cubierta del ordenador minitorre (consulte el apartado “Ordenador de minitorre” en la página 146).
- Retire la cubierta del ordenador de sobremesa (consulte el apartado “Ordenador de sobremesa” en la página 147).
- Retire la cubierta del ordenador de formato reducido (consulte el apartado “Ordenador de formato reducido” en la página 148).
- Retire la cubierta del ordenador de formato ultrareducido (consulte el apartado “Ordenador de formato ultrareducido” en la página 150).



AVISO: Antes de tocar algo en el interior del ordenador, conéctese a tierra tocando una superficie metálica sin pintura como, por ejemplo, la parte posterior del ordenador. Mientras trabaja, toque periódicamente una superficie metálica sin pintar para disipar la electricidad estática y evitar que los componentes internos resulten dañados.

Ordenador de minitorre



PRECAUCIÓN: Antes de comenzar cualquiera de los procedimientos de esta sección, siga las instrucciones de seguridad que se encuentran en la *Guía de información del producto*.

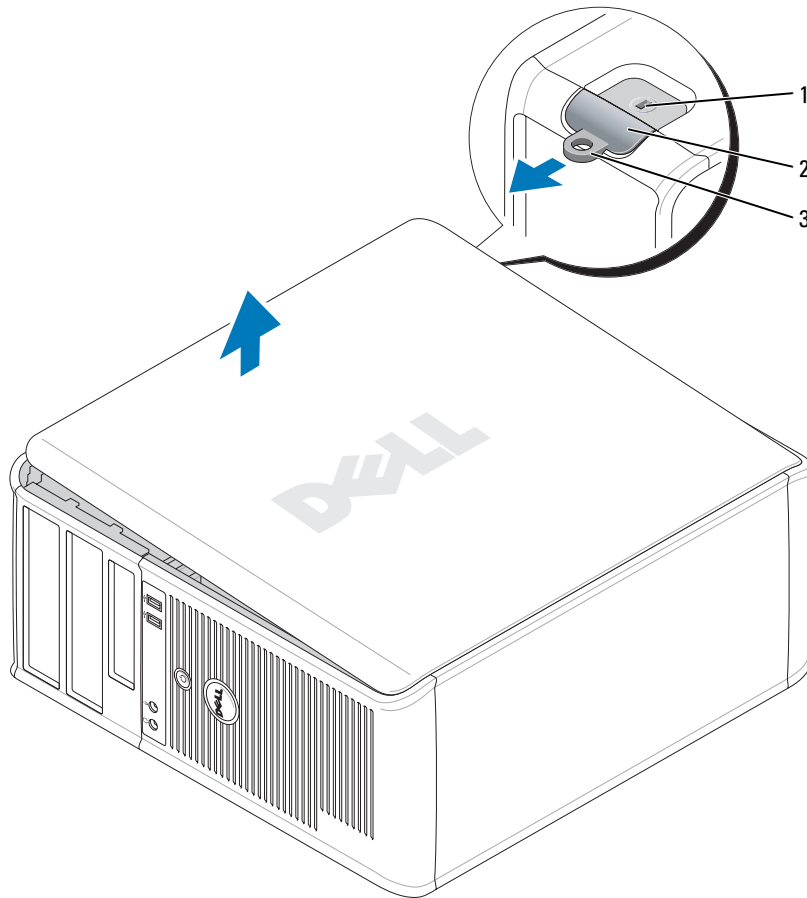


PRECAUCIÓN: Para protegerse de las descargas eléctricas, desconecte el ordenador de la toma de alimentación eléctrica antes de retirar la cubierta.

- 1 Siga los procedimientos que se indican en el apartado “Antes de empezar” en la página 145.
- 2 Apoye el ordenador sobre un lado como se muestra en la figura.
- 3 Localice el seguro de liberación de la cubierta que se muestra en la imagen. A continuación, deslice el seguro de liberación hacia atrás al tiempo que levanta la cubierta.
- 4 Sujete los laterales de la cubierta del ordenador y gire la cubierta hacia arriba hasta que salga, utilizando las lengüetas de la bisagra para hacer palanca.
- 5 Retire la cubierta de las lengüetas de la bisagra y colóquela sobre una superficie suave y no abrasiva.



PRECAUCIÓN: Los disipadores de calor de la tarjeta gráfica pueden calentarse mucho durante el funcionamiento normal. Asegúrese de que el disipador de calor de la tarjeta gráfica haya tenido tiempo suficiente para enfriarse antes de tocarlo.



1 Ranura para cable de seguridad 2 Pestillo de liberación de la cubierta 3 Anillo del candado

Ordenador de sobremesa

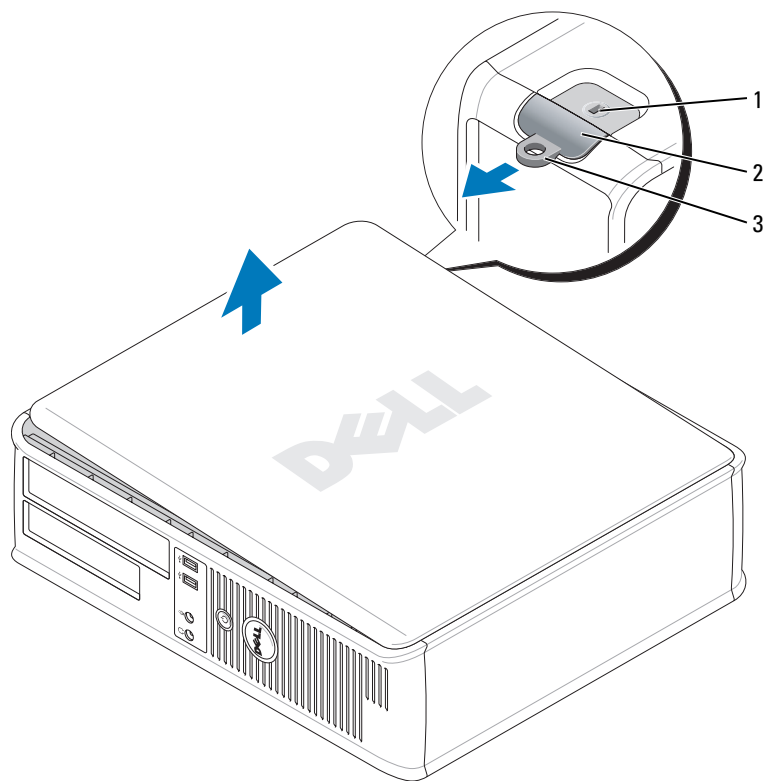
⚠ PRECAUCIÓN: Antes de comenzar cualquiera de los procedimientos de esta sección, siga las instrucciones de seguridad que se encuentran en la *Guía de información del producto*.

⚠ PRECAUCIÓN: Para protegerse de las descargas eléctricas, desconecte el ordenador de la toma de alimentación eléctrica antes de retirar la cubierta.

- 1 Siga los procedimientos que se indican en el apartado “Antes de empezar” en la página 145.
- 2 Si ha instalado un candado a través del anillo del candado en el panel posterior, retire el candado.

- 3 Localice el seguro de liberación de la cubierta que se muestra en la imagen. A continuación, deslice el seguro de liberación hacia atrás al tiempo que levanta la cubierta.
- 4 Sujete los laterales de la cubierta del ordenador y gire la cubierta hacia arriba hasta que salga, utilizando las lengüetas de la bisagra para hacer palanca.
- 5 Retire la cubierta de las lengüetas de la bisagra y colóquela sobre una superficie suave y no abrasiva.

⚠ PRECAUCIÓN: Los disipadores de calor de la tarjeta gráfica pueden calentarse mucho durante el funcionamiento normal. Asegúrese de que el disipador de calor de la tarjeta gráfica haya tenido tiempo suficiente para enfriarse antes de tocarlo.



1 Ranura para cable de seguridad 2 Pestillo de liberación de la cubierta 3 Anillo del candado

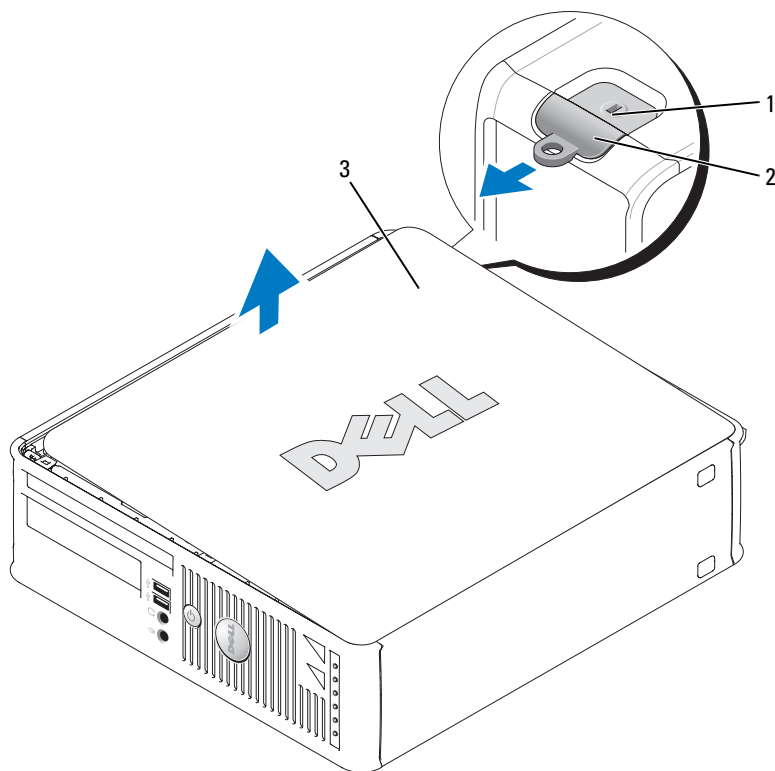
Ordenador de formato reducido

⚠ PRECAUCIÓN: Antes de comenzar cualquiera de los procedimientos de esta sección, siga las instrucciones de seguridad que se encuentran en la *Guía de información del producto*.

⚠ PRECAUCIÓN: Para protegerse de las descargas eléctricas, desconecte el ordenador de la toma de alimentación eléctrica antes de retirar la cubierta.

- 1 Siga los procedimientos que se indican en el apartado “Antes de empezar” en la página 145.
- 2 Si ha instalado un candado a través del anillo del candado en el panel posterior, retire el candado.
- 3 Localice el seguro de liberación de la cubierta que se muestra en la imagen. A continuación, deslice el seguro de liberación hacia atrás al tiempo que levanta la cubierta.
- 4 Sujete los laterales de la cubierta del ordenador y gire la cubierta hasta que salga, utilizando las bisagras inferiores para hacer palanca.
- 5 Retire la cubierta de las lengüetas de la bisagra y colóquela sobre una superficie suave y no abrasiva.

⚠ PRECAUCIÓN: Los disipadores de calor de la tarjeta gráfica pueden calentarse mucho durante el funcionamiento normal. Asegúrese de que el disipador de calor de la tarjeta gráfica haya tenido tiempo suficiente para enfriarse antes de tocarlo.



- 1 Ranura para cable de seguridad 2 Pestillo de liberación de la cubierta 3 Cubierta del ordenador

Ordenador de formato ultrareducido

⚠ PRECAUCIÓN: Antes de comenzar cualquiera de los procedimientos de esta sección, siga las instrucciones de seguridad que se encuentran en la *Guía de información del producto*.

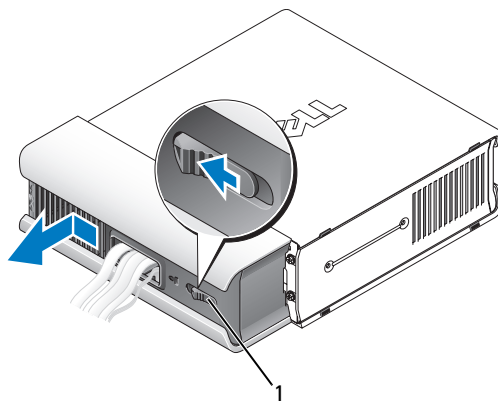
⚠ PRECAUCIÓN: Para protegerse de las descargas eléctricas, desconecte el ordenador de la toma de alimentación eléctrica antes de retirar la cubierta.

1 Siga los procedimientos que se indican en el apartado “Antes de empezar” en la página 145.

➡ AVISO: Conéctese a tierra tocando una superficie metálica sin pintar antes de tocar cualquier componente interno del ordenador. Mientras trabaja, toque periódicamente una superficie metálica sin pintar para disipar la electricidad estática y evitar que los componentes internos resulten dañados.

2 Si procede, retire la cubierta del cable.

a En caso de que haya instalado un dispositivo de seguridad en la ranura del cable de seguridad, extráigalo.



1 Botón de liberación

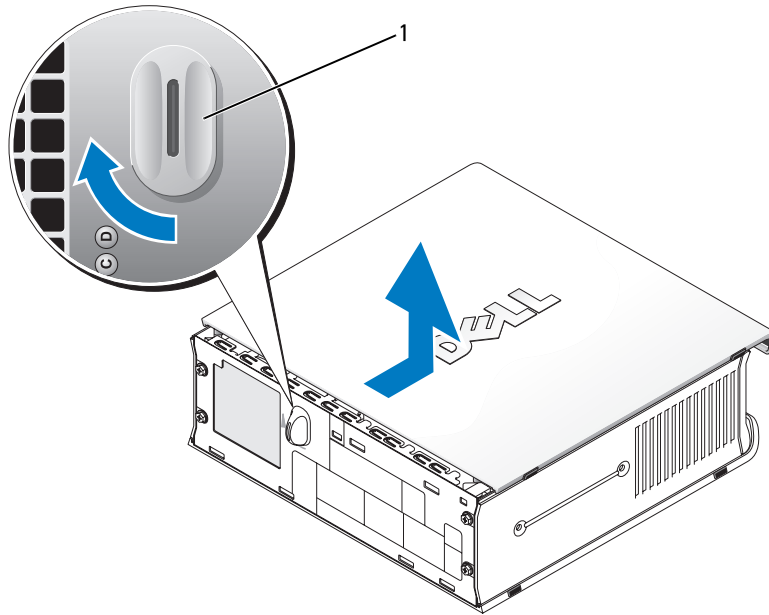
b Presione el botón de liberación, agarre la cubierta de los cables y deslícela hacia la izquierda hasta que se detenga y, a continuación, levántela y retírela.

3 Retire la cubierta del sistema.

a Gire el botón de liberación de la cubierta en el sentido de las manecillas del reloj, tal como se muestra en la ilustración.

b Deslice la cubierta del ordenador hacia adelante 1 centímetro aproximadamente (1/2 pulgada) o hasta que se detenga y, a continuación, levante la cubierta.

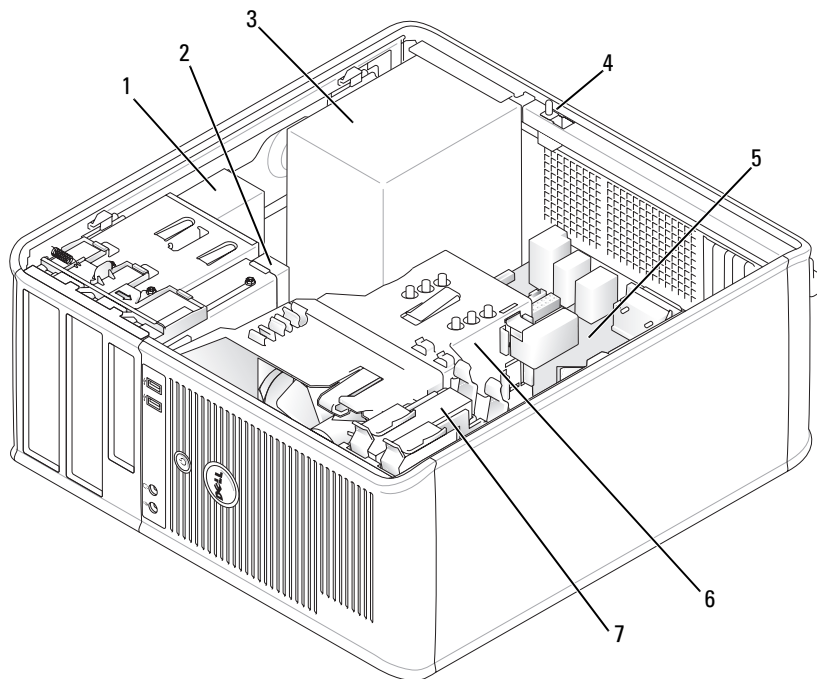
⚠ PRECAUCIÓN: Los disipadores de calor de la tarjeta gráfica pueden calentarse mucho durante el funcionamiento normal. Asegúrese de que el disipador de calor de la tarjeta gráfica haya tenido tiempo suficiente para enfriarse antes de tocarlo.



1 Botón de liberación

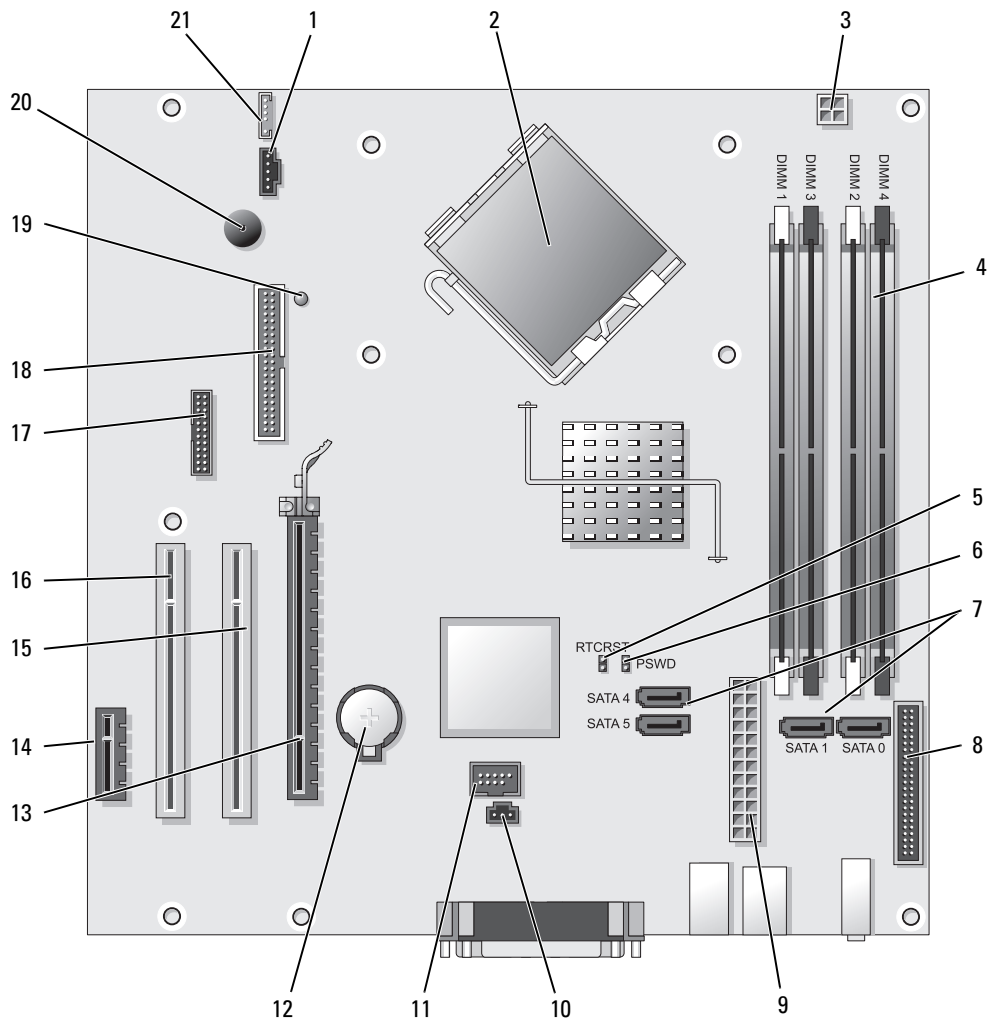
Interior de su ordenador

Ordenador de minitorre



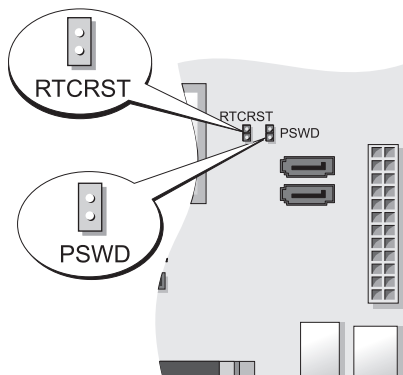
- | | | | | | |
|---|---|---|--|---|----------------------------------|
| 1 | Unidad óptica | 2 | Unidad de disquete o Media Card Reader | 3 | Fuente de alimentación |
| 4 | Conector del interruptor de intrusión en el chasis opcional | 5 | Tarjeta del sistema | 6 | Ensamblaje de disipador de calor |
| 7 | Unidad de disco duro | | | | |





Componentes de la placa base



- | | | | |
|----|---|----|--|
| 1 | Conector del ventilador (FAN) | 12 | Zócalo de la batería (BATT) |
| 2 | Conector del procesador (CPU) | 13 | Conector PCI Express x16 (SLOT1) |
| 3 | Conector de alimentación del procesador (12VPOWER) | 14 | Conector PCI Express x1 (SLOT4) |
| 4 | Conectores del módulo de memoria (DIMM_1, DIMM_2, DIMM_3, DIMM_4) | 15 | Conector PCI (SLOT2) |
| 5 | Puente de reinicio de RTC (RTCRST) | 16 | Conector PCI (SLOT3) |
| 6 | Puente de contraseña (PSWD) | 17 | Conector serie (SER2) |
| 7 | Conectores de unidad SATA (SATA0, SATA1, SATA4, SATA5) | 18 | Conector de la unidad de disquete (DSKT) |
| 8 | Conector del panel anterior (FNT_PANEL) | 19 | Energía de consumo mínimo |
| 9 | Conector de alimentación (POWER) | 20 | Altavoz de la placa base (BEEP) |
| 10 | Conector del interruptor de intrusión (INTRUSO) | 21 | Conector del altavoz (INT_SPKR) |
| 11 | USB interno (INTERNAL_USB) | | |

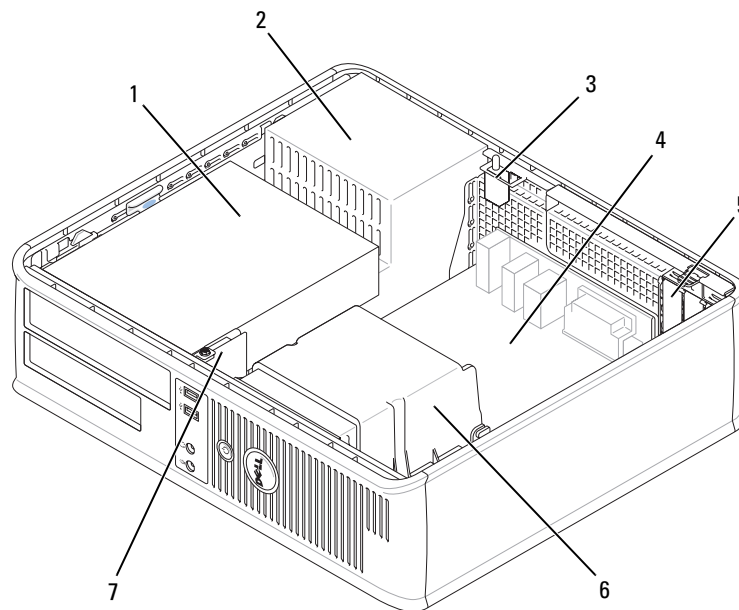
Configuración de puentes



Puente	Posición	Descripción
PSWD		Las funciones de contraseña están activadas (valor predeterminado).
		Las funciones de contraseña están desactivadas.
RTC RST		El reloj de tiempo real no se ha restablecido.
		El reloj de tiempo real se está restableciendo (puenteado temporalmente).

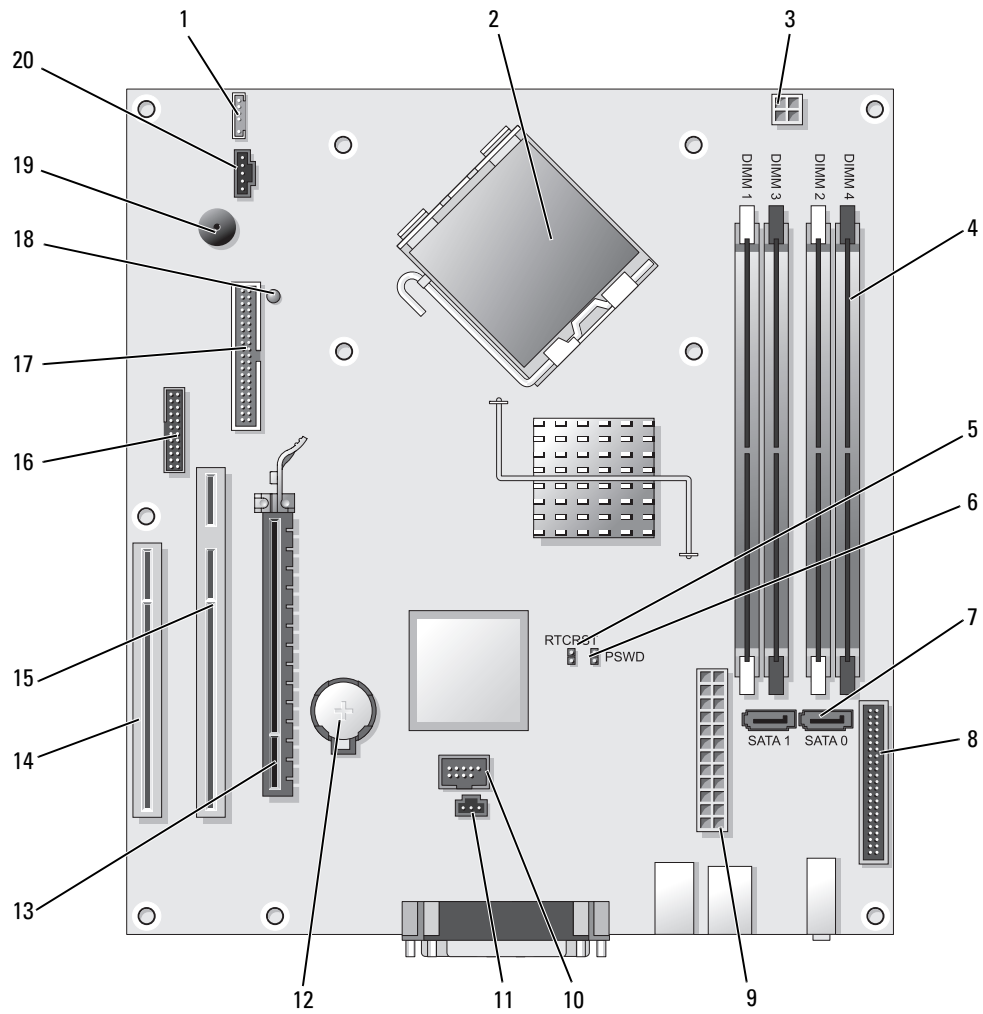
 *puenteado*  *no puenteado*

Ordenador de sobremesa



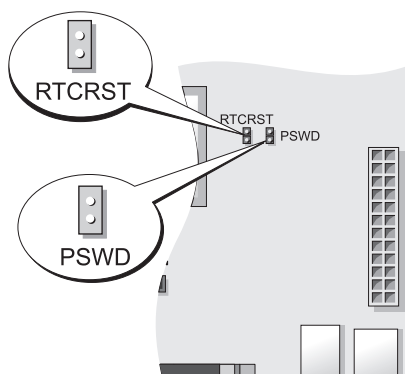
- | | | | | | |
|---|---|---|------------------------|---|---|
| 1 | Compartimentos para unidades (Media Card Reader o unidad de disquete, unidad óptica y unidad de disco duro) | 2 | Fuente de alimentación | 3 | Conector del interruptor de intrusión en el chasis opcional |
| 4 | Tarjeta del sistema | 5 | Ranuras para tarjetas | 6 | Ensamblaje de disipador de calor |
| 7 | Panel de E/S frontal | | | | |

Componentes de la placa base



- | | | | |
|----|---|----|---|
| 1 | Altavoz interno (INT_SPKR) | 11 | Conector del interruptor de intrusión (INTRUSO) |
| 2 | Conector del procesador (CPU) | 12 | Zócalo de la batería (BATT) |
| 3 | Conector de alimentación del procesador (12VPOWER) | 13 | Conector PCI Express x16 (SLOT1) |
| 4 | Conectores del módulo de memoria (DIMM_1, DIMM_2, DIMM_3, DIMM_4) | 14 | Conector PCI (SLOT3) |
| 5 | Puente de reinicio de RTC (RTCRST) | 15 | Conector PCI (SLOT2) |
| 6 | Puente de contraseña (PSWD) | 16 | Conector serie (SER2) |
| 7 | Conectores SATA (SATA0, SATA1) | 17 | Conector de la unidad de disquete (DSKT) |
| 8 | Conector del panel anterior (FNT_PANEL) | 18 | Energía de consumo mínimo |
| 9 | Conector de alimentación (POWER) | 19 | Altavoz de la placa base (BEEP) |
| 10 | USB interno (INTERNAL_USB) | 20 | Conector del ventilador (FAN) |

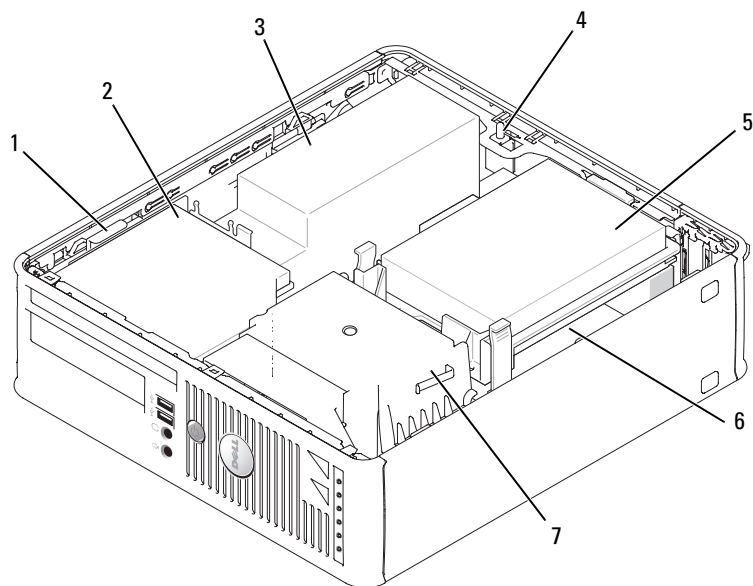
Configuración de puentes



Puente	Posición	Descripción
PSWD		Las funciones de contraseña están activadas (valor predeterminado).
		Las funciones de contraseña están desactivadas.
RTCRST		El reloj de tiempo real no se ha restablecido.
		El reloj de tiempo real se está restableciendo (puenteado temporalmente).

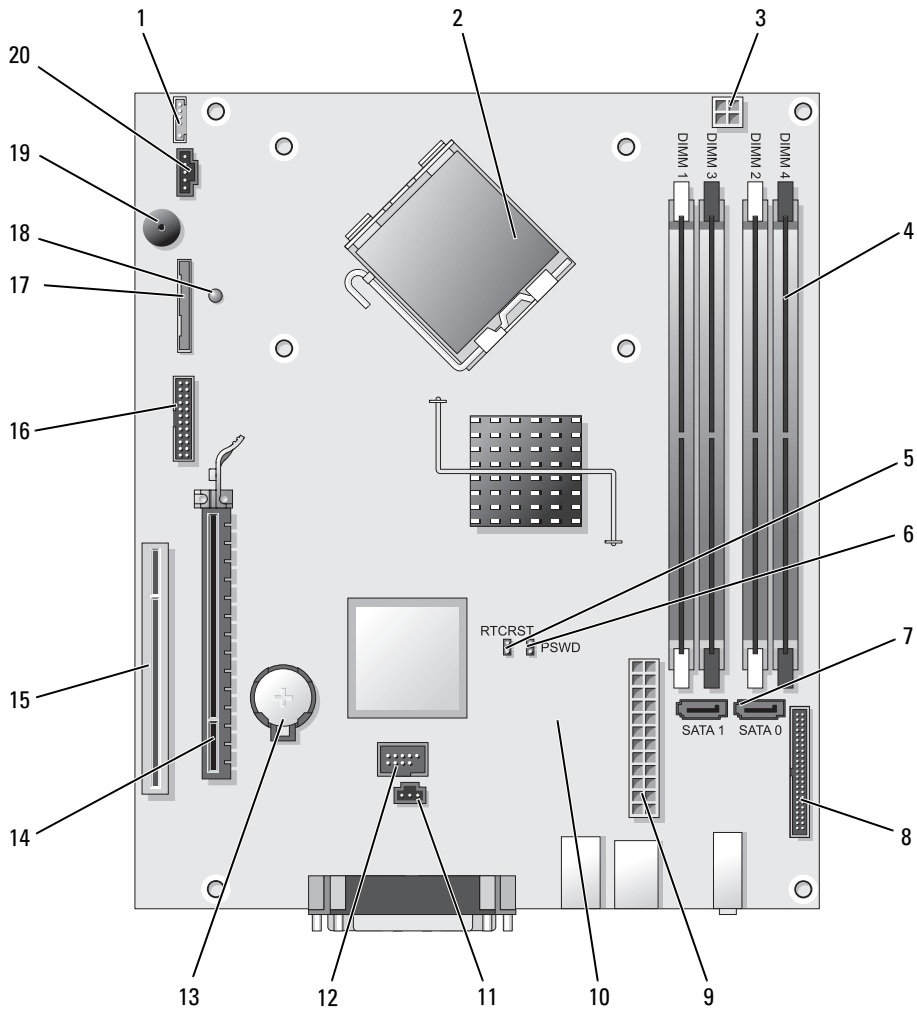
puenteado no puenteado

Ordenadores de formato reducido



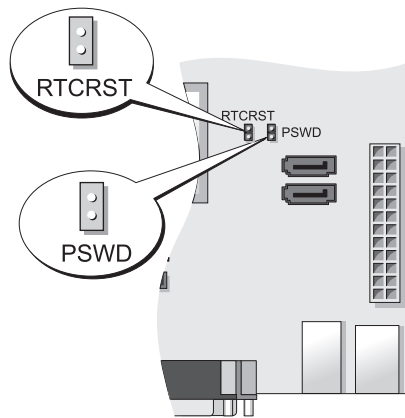
- | | | | | | |
|---|---|---|----------------------|---|-------------------------------------|
| 1 | Seguro de liberación de la unidad | 2 | Unidad óptica | 3 | Fuente de alimentación y ventilador |
| 4 | Conector del interruptor de intrusión en el chasis opcional | 5 | Unidad de disco duro | 6 | Tarjeta del sistema |
| 7 | Ensamblaje del disipador de calor y del ventilador | | | | |





Componentes de la placa base



- | | | | |
|----|---|----|---|
| 1 | Conector del altavoz interno (INT_SPKR) | 11 | Conector del interruptor de intrusión (INTRUSO) |
| 2 | Conector del procesador (CPU) | 12 | Conector USB interno (USB) |
| 3 | Conector de alimentación del procesador (12VPOWER) | 13 | Zócalo de la batería (BATT) |
| 4 | Conectores del módulo de memoria (DIMM_1, DIMM_2, DIMM_3, DIMM_4) | 14 | Conector PCI Express x16 (SLOT1) |
| 5 | Puente de reinicio de RTC (RTCRST) | 15 | Conector PCI (SLOT2) |
| 6 | Puente de contraseña (PSWD) | 16 | Conector serie (SER2) |
| 7 | Conectores SATA (SATA0, SATA1) | 17 | Conector de la unidad de disquete (DSKT) |
| 8 | Conector del panel anterior (FNT_PANEL) | 18 | Energía de consumo mínimo |
| 9 | Conector de alimentación (POWER) | 19 | Altavoz de la placa base (BEEP) |
| 10 | Conector del ventilador (FAN2) | 20 | Conector del ventilador (FAN) |

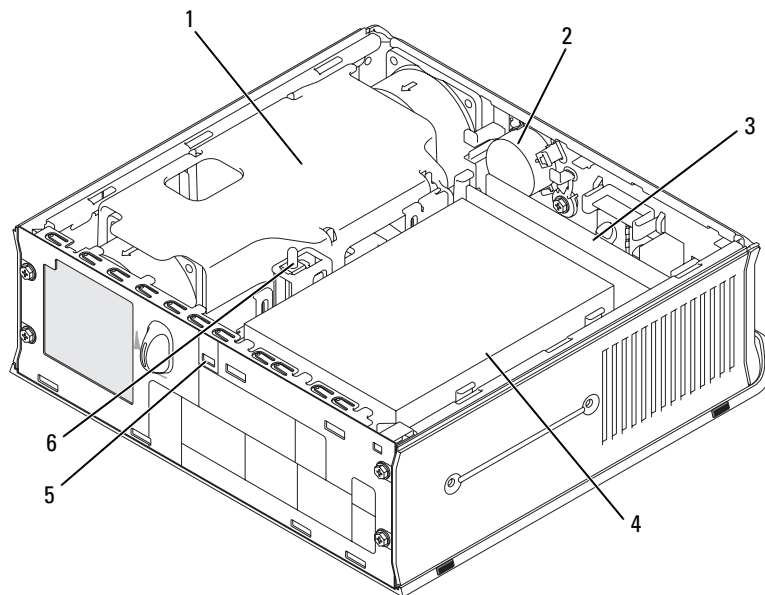
Configuración de puentes



Puente	Posición	Descripción
PSWD		Las funciones de contraseña están activadas (valor predeterminado).
		Las funciones de contraseña están desactivadas.
RTC RST		El reloj de tiempo real no se ha restablecido.
		El reloj de tiempo real se está restableciendo (puenteado temporalmente).

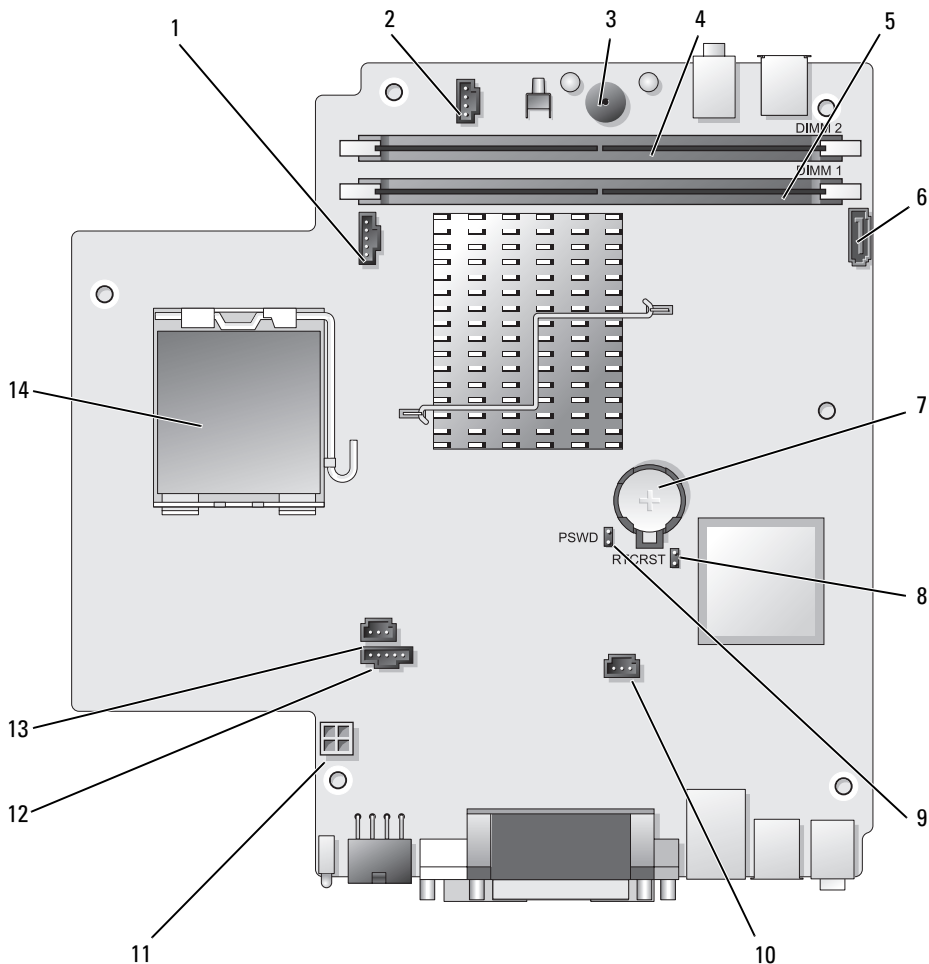
 *puenteado*  *no puenteado*

Ordenador de formato ultrareducido



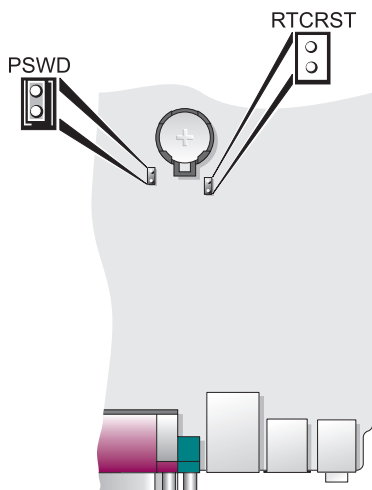
- | | | | | | |
|---|--|---|--------------------------------|---|---------------------------------------|
| 1 | Cubierta del ventilador/ensamblaje de disipador de calor | 2 | Altavoz (opcional) | 3 | Módulos de memoria (2) |
| 4 | Unidad de disco duro | 5 | Ranura para cable de seguridad | 6 | Interruptor de intrusión en el chasis |

Componentes de la placa base



- | | | | |
|---|--|----|--|
| 1 | Conector del ventilador (FAN_FRONT) | 8 | Borrar el puente CMOS (RTCST) |
| 2 | Conector del altavoz interno (INT_SPKR) | 9 | Puente de contraseña (PSWD) |
| 3 | Altavoz de la placa base (BEEP) | 10 | Conector del ventilador de la unidad de disco duro (FAN_HDD) |
| 4 | Conector de memoria del canal B (DIMM_2) | 11 | Conector de alimentación de la unidad de disco duro (SATA_PWR) |
| 5 | Conector de memoria del canal A (DIMM_1) | 12 | Conector del ventilador (FAN_REAR) |
| 6 | Conector del cable de datos SATA (SATA0) | 13 | Conector del interruptor de intrusión (INTRUSO) |
| 7 | Batería (BATT) | 14 | Procesador (CPU) |

Configuración de puentes



Puente	Posición	Descripción
PSWD		Las funciones de contraseña están activadas (valor predeterminado).
		Las funciones de contraseña están desactivadas.
RTCRST		El reloj de tiempo real no se ha restablecido.
		El reloj de tiempo real se está restableciendo (puenteado temporalmente).


puenteado no puenteado

Configuración del ordenador

⚠ PRECAUCIÓN: Antes de realizar cualquiera de los procedimientos de esta sección, siga las instrucciones de seguridad que se encuentran en la *Guía de información del producto*.

➡ AVISO: Si el ordenador tiene instalada una tarjeta de expansión (como una tarjeta de módem), conecte el cable adecuado a la tarjeta, *no* al conector situado en el panel posterior.


➡ AVISO: Para ayudar a permitir que el ordenador mantenga una temperatura de funcionamiento adecuada, asegúrese de no colocar el ordenador demasiado cerca de la pared o de otro compartimento de almacenamiento que pueda prevenir la circulación del aire por el chasis. Para obtener más información, consulte la Guía de información del producto.

 **NOTA:** Antes de instalar algún dispositivo o software no suministrados con el ordenador, consulte la documentación que los acompaña o póngase en contacto con su proveedor para asegurarse de que software o el dispositivo es compatible con el ordenador y el sistema operativo.

Debe completar todos los pasos para configurar el ordenador adecuadamente. Consulte las ilustraciones adecuadas que siguen a las instrucciones.

 **AVISO:** No intente operar un ratón PS/2 y un ratón USB simultáneamente.

1 Conecte el teclado y el ratón.


 **AVISO:** No conecte un cable de módem al conector del adaptador de red. El voltaje de las comunicaciones telefónicas puede dañar el adaptador de red.

2 Conecte el módem o el cable de red.

Inserte el cable de red, no la línea telefónica, en el conector de red. Si tiene un módem opcional, conecte la línea telefónica al módem.


3 Conecte el monitor.


Alinee e inserte suavemente el cable del monitor para evitar que se doblen las patas del conector. Apriete los tornillos mariposa de los conectores del cable.

 **NOTA:** En algunos monitores el conector de vídeo se encuentra debajo de la parte posterior de la pantalla. Consulte la documentación que se incluía con el monitor para ver las ubicaciones del conector.

4 Conecte los altavoces.

5 Conecte los cables de alimentación al ordenador, monitor y dispositivos e inserte los otros extremos de los cables de alimentación a las tomas de alimentación eléctrica.

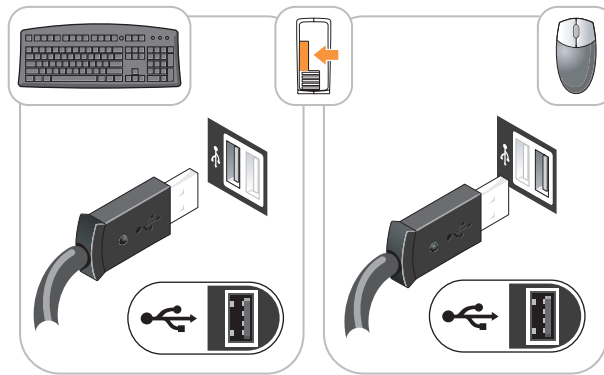
 **AVISO:** Con el fin de evitar dañar un ordenador que tenga un interruptor de selección de voltaje manual, coloque dicho interruptor en la posición que más se parezca a la de la potencia de corriente alterna disponible en su área.

 **AVISO:** En Japón, el conmutador de selección de voltaje debe marcar la posición 115V incluso si el suministro de corriente alterna disponible en Japón es de 100 V.

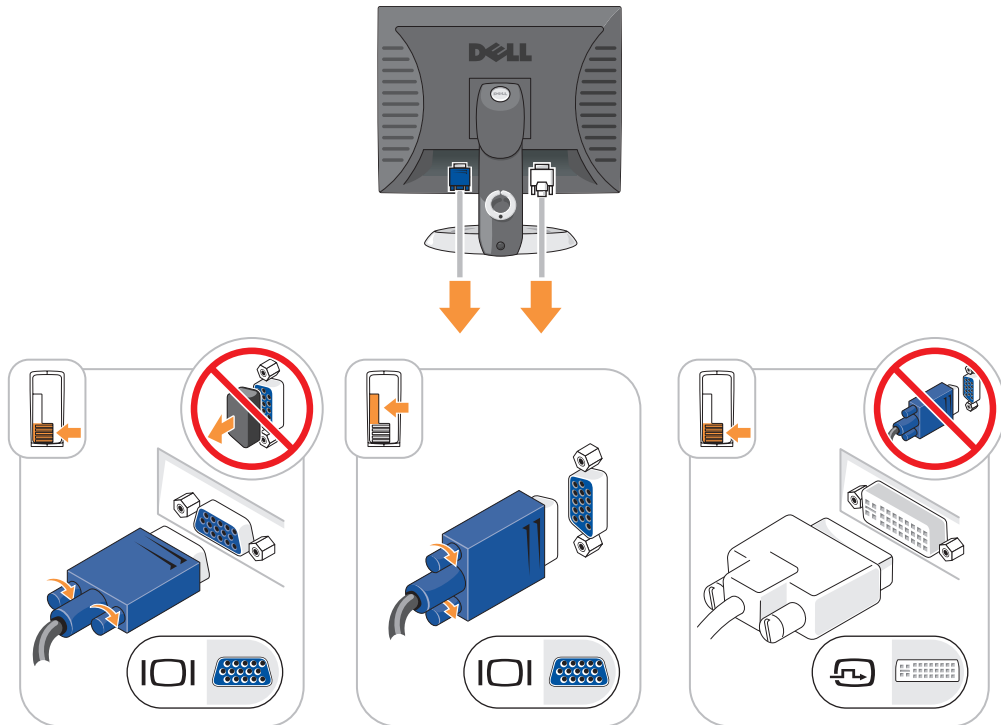
6 Verifique que el conmutador de selección de voltaje es la adecuada para su país.

El ordenador tiene un interruptor de selección de voltaje manual. Los ordenadores con un interruptor de selección de voltaje en el panel posterior se deben ajustar manualmente para que funcionen con el voltaje de operación correcto.

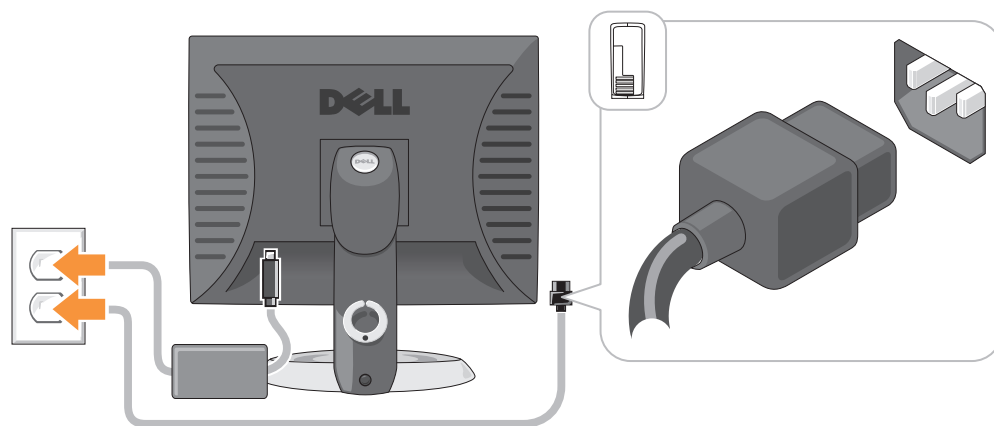
Configurar el teclado y el ratón



Configurar el monitor



Conexiones de alimentación



Solución de problemas

Dell proporciona una serie de herramientas para ayudarle en el caso de que el ordenador no funcione como es de esperar. Para obtener la información más actualizada sobre la solución de problemas de su ordenador, consulte el sitio web Dell Support en support.dell.com.

Si se produce algún problema en el ordenador para el que necesite la ayuda de Dell, escriba una descripción detallada del error, los códigos de sonido o los patrones de los indicadores de diagnóstico, introduzca el código de servicio rápido y la etiqueta de servicio que aparece a continuación y póngase en contacto con Dell desde la misma ubicación que el ordenador. Para obtener información acerca de cómo ponerse en contacto con Dell, consulte la *Guía del usuario* en línea.

Para obtener un ejemplo del código de servicio rápido y de la etiqueta de servicio, consulte el apartado “Localización de información” en la *Guía del usuario* del ordenador.

Código de servicio urgente: _____

Etiqueta de servicio: _____

Dell Diagnostics

⚠ PRECAUCIÓN: Antes de comenzar cualquiera de los procedimientos de esta sección, siga las instrucciones de seguridad que se encuentran en la *Guía de información del producto*.

Cuándo utilizar los Dell Diagnostics (Diagnósticos Dell)

Si tiene algún problema con el ordenador, realice las comprobaciones que se indican en el apartado “Solución de problemas” de la *Guía del usuario* en línea y ejecute los Dell Diagnostics antes de ponerse en contacto con Dell para obtener asistencia técnica. Para obtener información acerca de cómo ponerse en contacto con Dell, consulte la *Guía del usuario* en línea.


➡ AVISO: Los Dell Diagnostics (Diagnósticos Dell) sólo funcionan en los ordenadores Dell™.

Abra el programa de configuración del sistema (consulte “Configuración del sistema” en la *Guía del usuario* en línea para obtener instrucciones), revise la información sobre la configuración del ordenador y asegúrese de que el dispositivo que quiere probar se muestra en la configuración del sistema y está activo.

Inicie Dell Diagnostics desde la unidad de disco duro o desde el CD opcional *Drivers and Utilities* (Controladores y utilidades) (*ResourceCD*).

Cómo iniciar Dell Diagnostics desde la unidad de disco duro

- 1 Encienda (o reinicie) el ordenador.
- 2 Cuando aparezca el logotipo de DELL, pulse <F12>inmediatamente.

 **NOTA:** Si recibe un mensaje que indica que no se ha encontrado ninguna partición para la utilidad de diagnóstico, ejecute los Dell Diagnostics desde el CD opcional *Drivers and Utilities* (Controladores y utilidades) (consulte el apartado “Cómo iniciar los Dell Diagnostics desde el CD Drivers and Utilities (Controladores y utilidades) opcional” en la página 167).

Si espera demasiado y aparece el logotipo del sistema operativo, siga esperando hasta que aparezca el escritorio de Microsoft® Windows®. Después apague el ordenador y vuelva a intentarlo.

Cuando aparezca la lista de dispositivos de inicio, resalte **Boot to Utility Partition** (Iniciar desde la partición de utilidades) y pulse <Intro>.


- 3 Cuando aparezca el **Main Menu** (Menú principal) de Dell Diagnostics, seleccione la prueba que desea ejecutar.

Cómo iniciar los Dell Diagnostics desde el CD Drivers and Utilities (Controladores y utilidades) opcional

- 1 Inserte el CD *Drivers and Utilities* (Controladores y utilidades).
- 2 Apague y reinicie el ordenador.

Cuando aparezca el logotipo de DELL, pulse <F12>inmediatamente.

Si no lo hace inmediatamente, aparecerá el logotipo del sistema operativo; espere hasta que aparezca el escritorio de Microsoft Windows. Después apague el ordenador y vuelva a intentarlo.

 **NOTA:** Los siguientes pasos cambian la secuencia de inicio una sola vez. La próxima vez que inicie el ordenador, éste lo hará según los dispositivos especificados en la configuración del sistema.

- 3 Cuando aparezca la lista de dispositivos de inicio, resalte CD/DVD drive (Unidad de CD/DVD) y pulse <Intro>.
- 4 Seleccione la opción CD/DVD Drive (Unidad de CD/DVD) en el menú de inicio del CD.
- 5 Seleccione la opción CD/DVD Drive (Unidad de CD/DVD) en el menú de inicio del CD.
- 6 Escriba 1 para iniciar el menú del CD *Drivers and Utilities* (Controladores y utilidades).
- 7 Escriba 2 para iniciar los Dell Diagnostics.
- 8 Seleccione **Run the 32 Bit Dell Diagnostics** (Ejecutar los Dell Diagnostics de 32 bits) de la lista numerada. Si se muestran varias versiones, seleccione la apropiada para su ordenador.
- 9 Cuando aparezca el **Main Menu** (Menú principal) de Dell Diagnostics, seleccione la prueba que desea ejecutar.

Menú principal de Dell Diagnostics (Diagnósticos Dell)

- 1 Una vez se hayan cargado los Dell Diagnostics y aparezca la pantalla **Main Menu** (Menú principal), haga clic en el botón de la opción que desea.

Opción	Función
Express Test (Prueba rápida)	Realiza una prueba rápida de los dispositivos. Esta prueba suele tardar de 10 a 20 minutos y no requiere ninguna acción por parte del usuario. Ejecute primero Express Test (Prueba rápida) para incrementar la posibilidad de rastrear el problema rápidamente.
Extended Test (Prueba extendida)	Realiza una prueba completa de los dispositivos. Esta prueba suele durar una hora o más, y requiere que el usuario responda a preguntas periódicamente.
Custom Test (Prueba personalizada)	Prueba un dispositivo específico. Puede personalizar las pruebas que desee ejecutar.
Symptom Tree (Árbol de síntomas)	Hace una lista de los síntomas más habituales que se pueden encontrar y le permite seleccionar una prueba basándose en el síntoma del problema que usted tiene.

- 2 Si se produce un problema durante una prueba, aparecerá un mensaje con un código de error y una descripción del problema. Anote el código de error y la descripción del problema, y siga las instrucciones de la pantalla.

Si no puede resolver la condición del error, póngase en contacto con Dell. Para obtener información acerca de cómo ponerse en contacto con Dell, consulte la *Guía del usuario* en línea.



NOTA: La etiqueta de servicio para su ordenador está situada en la parte superior de cada pantalla de prueba. Si se pone en contacto con Dell, el servicio de asistencia técnica le pedirá su etiqueta de servicio.

- 3 Si ejecuta una prueba desde la opción **Custom Test** (Prueba personalizada) o **Symptom Tree** (Árbol de síntomas), haga clic en la ficha correspondiente que se describe en la tabla siguiente para obtener más información.

Ficha	Función
Results (Resultado)	Muestra el resultado de la prueba y las condiciones de error encontradas.
Errors (Errores)	Muestra las condiciones de error encontradas, los códigos de error y la descripción del problema.
Help (Ayuda)	Describe la prueba y puede indicar los requisitos para ejecutarla.
Configuration (Configuración)	Muestra la configuración de hardware del dispositivo seleccionado. Dell Diagnostics obtiene la información de configuración de todos los dispositivos a partir de la configuración del sistema, la memoria y varias pruebas internas, y la muestra en la lista de dispositivos del panel izquierdo de la pantalla. La lista de dispositivos puede que no muestre los nombres de todos los componentes instalados en el ordenador o de todos los dispositivos conectados al ordenador.
Parameters (Parámetros)	Le permite personalizar la prueba cambiando su configuración.

- 4 Cuando las pruebas hayan finalizado, si está ejecutando Dell Diagnostics (Diagnósticos Dell) desde el CD *Drivers and Utilities* (Controladores y Utilidades) (opcional), extraiga el CD.
- 5 Cierre la pantalla de prueba para volver a la pantalla **Main Menu** (Menú principal). Para salir de Dell Diagnostics y reiniciar el ordenador, cierre la pantalla **Main Menu** (Menú principal).

Indicadores luminosos del sistema

El indicador de alimentación puede indicar un problema en el ordenador.

Indicador de alimentación	Descripción del problema	Solución sugerida
Verde constante	El ordenador está encendido y funciona de la manera habitual.	No se necesita acción correctiva.
Verde intermitente	El ordenador se encuentra en un modo de ahorro de energía.	Pulse el botón de encendido, mueva el ratón, o pulse una tecla del teclado para activar el ordenador.
Parpadea en verde varias veces y luego se apaga	Existe un error de configuración.	Compruebe los indicadores luminosos de diagnóstico para intentar identificar el problema específico (consulte el apartado “Indicadores de diagnóstico” en la página 170).
Amarillo constante	Es posible que un dispositivo de la placa base sea defectuoso o no esté correctamente instalado, o bien que el interruptor de selección de voltaje del suministro de energía esté incorrectamente configurado.	Compruebe los indicadores luminosos de diagnóstico para intentar identificar el problema específico (consulte el apartado “Indicadores de diagnóstico” en la página 170). Consulte el apartado relativo a los problemas de alimentación en la <i>Guía del usuario</i> en línea. Si el ordenador no se inicia, diríjase a Dell para obtener asistencia técnica. Para obtener información acerca de cómo ponerse en contacto con Dell, consulte la <i>Guía del usuario</i> en línea.
Amarillo intermitente	Se ha producido un fallo del suministro de energía o de la placa base.	Compruebe los indicadores luminosos de diagnóstico para intentar identificar el problema específico (consulte el apartado “Indicadores de diagnóstico” en la página 170). Consulte el apartado relativo a los problemas de alimentación en la <i>Guía del usuario</i> en línea. Si el ordenador no se inicia, diríjase a Dell para obtener asistencia técnica. Para obtener información acerca de cómo ponerse en contacto con Dell, consulte la <i>Guía del usuario</i> en línea.
Verde continuo y un código de sonido durante la prueba POST	Se detectó un problema mientras se ejecutaba el BIOS.	Para obtener instrucciones sobre cómo diagnosticar el código de sonido consulte el apartado “Códigos de sonido” en la página 172. Consulte también los indicadores de diagnóstico para intentar identificar el problema específico.

Indicador de alimentación	Descripción del problema	Solución sugerida
Indicador de alimentación iluminado en color verde y ningún código de sonido ni vídeo durante la prueba POST	El monitor o la tarjeta de gráficos puede estar fallando o puede estar instalado incorrectamente.	Compruebe los indicadores de diagnóstico para ver si se identifica el problema específico.
Indicador de alimentación iluminado de verde y ningún código de sonido, pero el ordenador se bloquea durante la prueba POST	Puede haber un dispositivo de la placa base integrada que esté fallando.	Compruebe los indicadores de diagnóstico para ver si se identifica el problema específico. Si todavía no se ha identificado el problema, diríjase a Dell para obtener asistencia técnica. Para obtener información acerca de cómo ponerse en contacto con Dell, consulte la <i>Guía del usuario</i> en línea.

Indicadores de diagnóstico

⚠ PRECAUCIÓN: Antes de comenzar cualquiera de los procedimientos de esta sección, siga las instrucciones de seguridad que se encuentran en la *Guía de información del producto*.




Para ayudarle a solucionar un problema con el ordenador, el ordenador cuenta con cuatro indicadores denominados “1”, “2”, “3” y “4” situados en el panel anterior o posterior. Estos indicadores pueden ser verdes o pueden estar apagados. Cuando el ordenador se inicia de manera normal, los patrones o códigos de los indicadores cambian a medida que avanza el proceso de arranque. Si la etapa POST (Autoprueba de encendido) de inicio del sistema se realiza con todo éxito, los cuatro indicadores luminosos muestran verde continuo por un corto periodo de tiempo y después se apagan.

En el caso de que se produzcan errores durante el proceso de la POST, el patrón mostrado en los indicadores LED puede ayudarle a identificar la fase del proceso en la que se ha detenido el ordenador. Si el ordenador no funciona correctamente después de haberse realizado una Autoprueba de encendido (POST) con éxito, los indicadores luminosos de diagnóstico no indican la causa del problema.

✍ NOTA: La orientación de los indicadores de diagnóstico puede variar en función del tipo de sistema. Los indicadores de diagnóstico pueden estar orientados de manera vertical u horizontal.

Patrón de luz	Descripción del problema	Resolución sugerida
① ② ③ ④	El ordenador está apagado o se ha producido un error de pre-BIOS. Los indicadores de diagnóstico no permanecen encendidos después de que el ordenador se inicie correctamente en el sistema operativo.	Enchufe el ordenador a una toma de alimentación eléctrica en funcionamiento y pulse el botón de alimentación.
① ② ③ ④	Se ha producido un posible fallo del BIOS; el ordenador se encuentra en modo de recuperación.	Ejecute la Utilidad de recuperación de BIOS, espere a que acabe la recuperación y reinicie el ordenador.
① ② ③ ④	Se ha producido un posible fallo en el procesador.	Vuelva a instalar el procesador y reinicie el ordenador. Para obtener información sobre cómo volver a instalar el procesador, consulte la <i>Guía del usuario</i> en línea.

Patrón de luz	Descripción del problema	Resolución sugerida
	Se han detectado los módulos de memoria, pero se ha producido un error de memoria.	<ul style="list-style-type: none"> • Si tiene instalado un módulo de memoria, vuelva a instalarlo y, a continuación, reinicie el ordenador. Para obtener información sobre cómo volver a instalar los módulos de memoria, consulte la <i>Guía del usuario</i> en línea. • Si tiene instalados dos o más módulos de memoria, extráigalos, vuelva a instalar uno y reinicie el ordenador. Si el ordenador se inicia normalmente, vuelva a instalar otro módulo. Prosiga de este modo hasta que identifique el módulo anómalo o hasta que haya vuelto a instalar todos los módulos sin errores. • Si es posible, instale una memoria del mismo tipo que funcione correctamente en el ordenador. • Si el problema persiste, póngase en contacto con Dell. Para obtener información acerca de cómo ponerse en contacto con Dell, consulte la <i>Guía del usuario</i> en línea.
	Se ha producido un posible fallo de la tarjeta de gráficos.	<ul style="list-style-type: none"> • Si el ordenador incluye una tarjeta gráfica, extráigala, vuelva a instalarla y, a continuación, reinicie el ordenador. • Si persiste el problema, instale una tarjeta de gráficos que sepa que funcione y reinicie el ordenador. • Si no se soluciona el problema o el ordenador tiene gráficos integrados, póngase en contacto con Dell. Para obtener información acerca de cómo ponerse en contacto con Dell, consulte la <i>Guía del usuario</i> en línea.
	Se ha producido un error de unidad de disco flexible o de disco duro.	Vuelva a asentar todos los cables de alimentación y de datos y reinicie el ordenador.
	Se ha producido un fallo de USB.	Vuelva a instalar todos los dispositivos USB, compruebe las conexiones por cable y reinicie el ordenador.

Patrón de luz	Descripción del problema	Resolución sugerida
	No se detectan módulos de memoria.	<ul style="list-style-type: none"> • Si tiene instalado un módulo de memoria, vuelva a instalarlo y, a continuación, reinicie el ordenador. Para obtener información sobre cómo volver a instalar los módulos de memoria, consulte la <i>Guía del usuario</i> en línea. • Si tiene instalados dos o más módulos de memoria, extráigalos, vuelva a instalar uno y reinicie el ordenador. Si el ordenador se inicia normalmente, vuelva a instalar otro módulo. Prosiga de este modo hasta que identifique el módulo anómalo o hasta que haya vuelto a instalar todos los módulos sin errores. • Si es posible, instale una memoria del mismo tipo que funcione correctamente en el ordenador. • Si el problema persiste, póngase en contacto con Dell. Para obtener información acerca de cómo ponerse en contacto con Dell, consulte la <i>Guía del usuario</i> en línea.
	Se han detectado los módulos de memoria, pero existe un error de configuración del sistema o de compatibilidad.	<ul style="list-style-type: none"> • Asegúrese de que no existen requisitos especiales para la colocación del conector o del módulo de memoria. • Verifique que los módulos de memoria que instala sean compatibles con el ordenador. • Si el problema persiste, póngase en contacto con Dell. Para obtener información acerca de cómo ponerse en contacto con Dell, consulte la <i>Guía del usuario</i> en línea.
	Se ha producido un fallo. Este patrón también se muestra cuando entra en la configuración del sistema y puede que no indique un problema.	<ul style="list-style-type: none"> • Compruebe que los cables de las unidades de disco duro, de CD y de DVD están conectados a la placa base. • Compruebe el mensaje del ordenador que aparece en la pantalla del monitor. • Si el problema persiste, póngase en contacto con Dell. Para obtener información acerca de cómo ponerse en contacto con Dell, consulte la <i>Guía del usuario</i> en línea.

Códigos de sonido

Si el monitor no puede mostrar errores o problemas, es posible que el ordenador emita una serie de sonidos durante el inicio. Esta serie de sonidos, denominada códigos de sonido, identifica un problema. Un código de sonido posible (código 1 3-1) consta de un sonido, una secuencia de tres sonidos y, a continuación, otro sonido. Este código de sonido indica que el ordenador ha detectado un problema de memoria.

Si el ordenador emite sonidos durante el inicio:

- 1 Anote el código de sonido.
- 2 Consulte el apartado “Dell Diagnostics” en la página 166 para identificar una causa más grave.
- 3 Diríjase a Dell para obtener asistencia técnica. Para obtener información acerca de cómo ponerse en contacto con Dell, consulte la *Guía del usuario* en línea.

Código	Causa	Código	Causa
1-1-2	Fallo en un registro del microprocesador	3-1-4	Fallo en el registro esclavo de enmascaramiento de interrupciones
1-1-3	Fallo de lectura/escritura NVRAM	3-2-2	Fallo en la carga del vector de interrupciones
1-1-4	Fallo en la suma de comprobación del BIOS en ROM	3-2-4	Fallo de la prueba de la controladora del teclado
1-2-1	Error del temporizador de intervalos programable	3-3-1	Pérdida de alimentación para la NVRAM
1-2-2	Fallo en la inicialización de DMA	3-3-2	Configuración de la NVRAM no válida
1-2-3	Fallo de lectura /escritura en el registro de páginas del sistema de DMA	3-3-4	Fallo en la prueba de la memoria de vídeo
1-3	Fallo en la prueba de la memoria de vídeo	3-4-1	Fallo de inicio de la pantalla
1-3-1 a 2-4-4	La memoria no se está utilizando o identificando adecuadamente	3-4-2	Fallo en el retraso de la pantalla
3-1-1	Fallo en el registro DMA esclavo	3-4-3	Fallo de búsqueda de ROM de vídeo
3-1-2	Fallo en el registro del DMA maestro	4-2-1	No hay impulsos del temporizador
3-1-3	Fallo en el registro maestro de enmascaramiento de interrupciones.	4-2-2	Fallo de suspensión del trabajo
4-2-3	Error Gate A20	4-4-1	Fallo en la prueba de un puerto serie o paralelo
4-2-4	Interrupción inesperada en modo protegido	4-4-2	Falló la descompresión de los datos hacia la memoria duplicada
4-3-1	Fallo de memoria por encima de la dirección 0FFFFh	4-4-3	Fallo en la prueba del coprocesador matemático
4-3-3	Fallo en el contador del chip del temporizador 2	4-4-4	Fallo de la prueba de la memoria caché
4-3-4	El reloj de hora se ha parado		

Cómo resolver incompatibilidades de software y hardware

Si un dispositivo no se detecta durante la configuración del sistema operativo o se detecta pero no está configurado correctamente, puede utilizar el Agente de solución de errores de hardware para solucionar la incompatibilidad.

- 1 Haga clic en el botón **Inicio** y en **Ayuda y soporte técnico**.

- 2 Escriba **solucionador de problemas de hardware** en el campo **Búsqueda** y haga clic en la flecha para iniciar la búsqueda.
- 3 Haga clic en **Solucionador de problemas de hardware** en la lista **Resultados de la búsqueda**.
- 4 En la lista **Solucionador de problemas de hardware**, haga clic en **Necesito resolver un conflicto de hardware de mi ordenador** y haga clic en **Siguiente**.

Utilización de la función **Restaurar sistema de Microsoft Windows XP**

El sistema operativo Microsoft Windows XP proporciona la función **Restaurar sistema**, que permite volver a un estado operativo anterior del ordenador (sin que ello afecte a los archivos de datos) si, al realizar cambios en el hardware, en el software o en otros valores del sistema, el ordenador se encuentra en un estado operativo no deseado. Consulte el Centro de ayuda y soporte técnico de Windows para obtener información sobre el uso de la función **Restaurar sistema**. Para acceder al centro de ayuda y soporte técnico de Windows, consulte el apartado “Centro de ayuda y soporte técnico de Windows” en la página 126.



AVISO: Realice copias de seguridad periódicas de los archivos de datos. La función **Restaurar sistema** no supervisa ni recupera los archivos de datos.

Creación de un punto de restauración

- 1 Haga clic en el botón **Inicio** y seleccione **Ayuda y soporte técnico**.
- 2 Haga clic en **Restaurar sistema**.
- 3 Siga las instrucciones que aparecen en pantalla.

Restauración del ordenador a un estado operativo anterior



AVISO: Antes de restaurar el ordenador a un estado operativo anterior, guarde y cierre los archivos abiertos y salga de los programas activos. No modifique, abra ni suprima ningún archivo ni programa hasta que la restauración del sistema haya finalizado.

- 1 Haga clic en el botón **Inicio**, seleccione **Todos los programas** → **Accesorios** → **Herramientas del sistema** y, a continuación, haga clic en **Restaurar sistema**.
- 2 Asegúrese de seleccionar **Devolver el equipo a un estado anterior** y, a continuación, haga clic en **Siguiente**.
- 3 En el calendario, haga clic en la fecha a la que desea restaurar el ordenador.
La pantalla **Selección de un punto de restauración** proporciona un calendario que permite ver y seleccionar puntos de restauración. Todas las fechas con puntos de restauración disponibles aparecen en **negrita**.
- 4 Seleccione un punto de restauración y, a continuación, haga clic en **Siguiente**.
Si una fecha sólo tiene un punto de restauración, éste se selecciona automáticamente. Si hay dos o más puntos de restauración disponibles, haga clic en el punto de restauración que prefiera.
- 5 Haga clic en **Siguiente**.
La pantalla de **Restauración finalizada** aparece cuando la función **Restaurar sistema** ha finalizado de recoger los datos y a continuación se reinicia el ordenador.
- 6 Cuando el ordenador se reinicie, haga clic en **Aceptar**.

Para cambiar el punto de restauración, puede repetir los pasos con otro punto de restauración o bien puede deshacer la restauración.

Cómo deshacer la última operación de Restaurar sistema



AVISO: Antes de deshacer la última restauración del sistema, guarde y cierre todos los archivos abiertos y cierre todos los programas. No modifique, abra ni suprima ningún archivo ni programa hasta que la restauración del sistema haya finalizado.

- 1 Haga clic en el botón **Inicio**, seleccione **Todos los programas**→ **Accesorios**→ **Herramientas del sistema** y, a continuación, haga clic en **Restaurar sistema**.
- 2 Seleccione **Deshacer la última restauración** y haga clic en **Siguiente**.
- 3 Haga clic en **Siguiente**.
Aparece la pantalla **Restaurar sistema** y, a continuación, el ordenador se reinicia.
- 4 Cuando el ordenador se reinicie, haga clic en **Aceptar**.

Activación de la función Restaurar sistema

Si reinstala Windows XP con menos de 200 MB de espacio libre disponible en el disco duro, se desactivará automáticamente la función Restaurar sistema. Para verificar si la función Restaurar sistema está activada:

- 1 Haga clic en el botón **Inicio** y en **Panel de control**.
- 2 Haga clic en **Rendimiento y administración**.
- 3 Haga clic en **Sistema**.
- 4 Haga clic en la ficha **Restaurar sistema**.
- 5 Asegúrese de que está desmarcada la opción **Desactivar Restaurar sistema**.

Cómo volver a instalar Microsoft Windows XP

Para empezar




NOTA: Los procedimientos de este documento fueron escritos para la vista predefinida de Windows en Windows XP Home Edition, por lo que los pasos serán diferentes si configura su ordenador Dell con la vista clásica de Windows o está utilizando Windows XP Professional.

Si está considerando reinstalar el sistema operativo Windows XP para corregir un problema con un controlador instalado recientemente, intente usar primero la función Device Driver Rollback (Deshacer controlador de dispositivos) de Windows XP.


- 1 Haga clic en el botón **Inicio** y en **Panel de control**.
- 2 En **Elija una categoría**, haga clic en **Rendimiento y mantenimiento**.
- 3 Haga clic en **Sistema**.
- 4 En la ventana **Propiedades del sistema**, haga clic en la ficha **Hardware**.
- 5 Haga clic en **Administrador de dispositivos**.
- 6 Haga clic con el botón derecho del ratón en el dispositivo para el que se ha instalado el nuevo controlador y haga clic en **Propiedades**.
- 7 Haga clic en la ficha **Controladores**.
- 8 Haga clic en **Desinstalar controlador**.

Si la función de desinstalación del controlador de dispositivo no resuelve el problema, utilice la función Restaurar sistema para que el sistema operativo vuelva al estado operativo en que se encontraba antes de que se instalara el nuevo controlador de dispositivo (consulte el apartado “Utilización de la función Restaurar sistema de Microsoft Windows XP” en la página 174).

 **NOTA:** El CD *Drivers and Utilities* (Controladores y utilidades) contiene los controladores que se instalaron durante el ensamblaje del ordenador. Utilice el CD *Drivers and Utilities* (Controladores y utilidades) para cargar cualquier controlador necesario, incluidos los controladores necesarios si el ordenador tiene una controladora RAID.

Reinstalación de Windows XP

 **AVISO:** Debe utilizar Windows XP Service Pack 1 o posterior cuando vuelva a instalar Windows XP.


 **AVISO:** Antes de realizar la instalación, haga una copia de seguridad de todos los archivos de datos en la unidad de disco duro principal. En las configuraciones convencionales de disco duro, la unidad de disco duro principal es la primera unidad que detecta el ordenador.


Para volver a instalar Windows XP, necesita los siguientes elementos:

- El CD *Operating System* (Sistema operativo) de Dell
- El CD *Drivers and Utilities* (Controladores y utilidades) de Dell

Para reinstalar Windows XP, realice todos los pasos descritos en las secciones siguientes en el orden en que se enumeran.

El proceso de reinstalación puede durar entre una y dos horas. Una vez finalizada la reinstalación del sistema operativo, deberá reinstalar los controladores de dispositivo, el antivirus y los demás programas de software.

 **AVISO:** En el CD *Operating System* (Sistema operativo) se ofrecen varias opciones para reinstalar Windows XP. Estas opciones pueden llegar a sobrescribir archivos y pueden afectar a las aplicaciones instaladas en la unidad de disco duro. Por lo tanto, se recomienda no reinstalar Windows XP a menos que se lo indique un representante de asistencia técnica de Dell.

 **AVISO:** Para evitar conflictos con Windows XP, desactive el software antivirus que tenga instalado en el ordenador antes de reinstalar Windows. Para obtener instrucciones, consulte la documentación proporcionada con el software.

Arranque desde el CD Operating System (Sistema operativo)

- 1 Guarde y cierre los archivos que tenga abiertos y salga de todos los programas.
- 2 Inserte el CD *Operating System* (Sistema operativo). Haga clic en **Salir** si aparece el mensaje *Instalar Windows XP*.
- 3 Reinicie el ordenador.

- 4 Pulse <F12> inmediatamente después de que aparezca el logotipo de DELL.

Si se muestra el logotipo del sistema operativo, espere hasta que aparezca el escritorio de Windows y, a continuación, apague el ordenador e inténtelo de nuevo.

- 5 Pulse las teclas de flecha para seleccionar el **CD-ROM** y pulse <Intro>.
- 6 Cuando aparezca el mensaje *Presione cualquier tecla para arrancar desde el CD*, pulse cualquier tecla.

Configuración de Windows XP

- 1 Cuando aparezca la pantalla **Programa de instalación de Windows XP**, pulse <Intro> para seleccionar **Instalar Windows ahora**.
- 2 Lea la información en la pantalla del **Acuerdo de Licencia de Microsoft Windows** y pulse <F8> para aceptar el contrato de licencia.
- 3 Si el ordenador ya tiene instalado Windows XP y desea recuperar los datos actuales de Windows XP, escriba r para seleccionar la opción de reparación y, a continuación, extraiga el CD.
- 4 Si desea instalar una nueva copia de Windows XP, pulse <Esc> para seleccionar dicha opción.
- 5 Pulse <Intro> para seleccionar la partición resaltada (recomendada) y, a continuación, siga las instrucciones de la pantalla.

Aparecerá la pantalla **Programa de instalación de Windows XP** y el sistema operativo empezará a copiar archivos y a instalar los dispositivos. El ordenador se reinicia automáticamente varias veces.



NOTA: El tiempo necesario para que se complete la instalación depende del tamaño de la unidad de disco duro y de la velocidad del ordenador.



AVISO: No pulse ninguna tecla cuando aparezca el mensaje siguiente: **Presione cualquier tecla para arrancar desde el CD.**

- 6 Cuando aparezca la pantalla **Configuración regional y de idioma**, seleccione la configuración regional de su zona y pulse **Siguiente**.
- 7 Escriba su nombre y el de su organización (opcional) en la pantalla **Personalice su software** y, a continuación, haga clic en **Siguiente**.
- 8 En la ventana **Nombre del ordenador y contraseña del administrador**, escriba un nombre para el ordenador (o bien acepte la propuesta) y una contraseña y haga clic en **Siguiente**.
- 9 Si aparece la pantalla de **Información de marcado de módem**, introduzca la información solicitada y haga clic en **Siguiente**.
- 10 Escriba la fecha, la hora y la zona horaria en la ventana **Valores de fecha y hora** y, a continuación, haga clic en **Siguiente**.
- 11 Si aparece la pantalla **Configuración de red**, haga clic en **Típica** y, después, en **Siguiente**.
- 12 Si va a reinstalar Windows XP Professional y el sistema le pide que proporcione más información acerca de la configuración de red, especifique sus selecciones. Si no está seguro de su configuración, acepte las opciones predeterminadas.


Windows XP instala los componentes del sistema operativo y configura el ordenador. El ordenador se reiniciará automáticamente.



AVISO: No pulse ninguna tecla cuando aparezca el mensaje siguiente: **Presione una tecla para iniciar desde el CD.**


- 13 Cuando aparezca la pantalla **Bienvenido a Microsoft**, haga clic en **Siguiente**.
- 14 Cuando aparezca el mensaje **¿Cómo se conectará este equipo a Internet?**, haga clic en **Omitir**.
- 15 Cuando aparezca la pantalla **¿Preparado para registrarse con Microsoft?**, seleccione **No en este momento** y haga clic en **Siguiente**.

- 16 Cuando aparezca la pantalla **¿Quién usará este ordenador?**, podrá especificar un máximo de cinco usuarios.
- 17 Haga clic en **Siguiente**.
- 18 Haga clic en **Finalizar** para completar la instalación y extraiga el CD.
- 19 Vuelva a instalar los controladores apropiados con el *CD Drivers and Utilities* (Controladores y utilidades).
- 20 Vuelva a instalar el software antivirus.
- 21 Reinstale los programas.

 **NOTA:** Para volver a instalar y activar los programas de Microsoft Office o Microsoft Works Suite, necesita el número de Product Key ubicado en la parte posterior de la portada del CD de Microsoft Office o Microsoft Works Suite.

Uso del CD Drivers and Utilities

Para utilizar el *CD Drivers and Utilities* (Controladores y utilidades) (*ResourceCD*) mientras se está ejecutando el sistema operativo Windows.

 **NOTA:** Para acceder a los controladores del dispositivo y a la documentación del usuario, debe utilizar el *CD Drivers and Utilities* (Controladores y utilidades) mientras ejecuta Windows.

- 1 Encienda el ordenador y permita que se inicie en el escritorio de Windows.
- 2 Inserte el *CD Drivers and Utilities* (Controladores y utilidades) en la unidad de CD.
Si está utilizando el *CD Drivers and Utilities* (Controladores y utilidades) por primera vez en este ordenador, se abrirá la ventana **ResourceCD Installation** (Instalación de ResourceCD) para informarle que el *CD Drivers and Utilities* (Controladores y utilidades) está a punto de empezar su instalación.
- 3 Haga clic en **OK** (Aceptar) para continuar.
Para completar la instalación, responda a las peticiones ofrecidas por el programa de instalación.
- 4 Haga clic en **Next** (Siguiente) en la pantalla **Welcome Dell System Owner** (Bienvenida al propietario del sistema Dell).

Seleccione el **System Model** (Modelo del sistema), **Operating System** (Sistema operativo), **DeviceType** (Tipo de dispositivo) y **Topic** (Tema) adecuados.

Controladores para el ordenador

Para mostrar una lista de los controladores de dispositivo del ordenador

- 1 Haga clic en **My Drivers** (Mis controladores) en el menú descendente **Topic** (Tema).
El CD denominado *Drivers and Utilities* (Controladores y utilidades) (opcional) examina el sistema operativo y el hardware del ordenador y después aparece en la pantalla una lista de los controladores de dispositivos de la configuración del sistema.
- 2 Pulse sobre el controlador adecuado y siga las instrucciones para descargarlo al ordenador.

Para ver todos los controladores disponibles para el ordenador, haga clic en **Drivers** (Controladores) en el menú descendente **Topic** (Tema).

Índice

A

- alimentación
 - indicador, 134, 138
- archivo de ayuda
 - Centro de ayuda y soporte técnico de Windows, 126

C

- CD
 - sistema operativo, 126
- CD Drivers and Utilities (Controladores y utilidades), 125
- CD Operating System (Sistema operativo), 126
- Centro de ayuda y soporte técnico, 126
- códigos de sonido, 172
- conflictos
 - incompatibilidades de software y hardware, 173
- Contrato de licencia del usuario final, 126
- controladores
 - lista de, 178
- cubierta
 - retirar, 144

D

- Dell Diagnostics, 166
- diagnósticos
 - códigos de sonido, 172
 - Dell Diagnostics, 166
- documentación
 - Contrato de licencia del usuario final, 126
 - en línea, 127
 - ergonomía, 126
 - garantía, 126
 - Guía de información del producto, 126
 - Guía del usuario, 125
 - reglamentaria, 126
 - seguridad, 126

E

- Etiqueta de servicio, 127
- etiquetas
 - Etiqueta de servicio, 127
 - Microsoft Windows, 127

G

- Guía de información del producto, 126
- Guía del usuario, 125

H

- hardware
 - códigos de sonido, 172
 - Dell Diagnostics, 166

I

- indicador de alimentación
 - diagnosticar problemas con, 169
- indicadores
 - alimentación, 134, 138
- indicadores luminosos
 - diagnóstico, 170
 - sistema, 169
- información
 - reglamentaria, 126
- información sobre ergonomía, 126
- información sobre la garantía, 126
- instalar piezas
 - antes de empezar, 145
- instrucciones de seguridad, 126

M

- mensajes de error
 - códigos de sonido, 172

indicadores luminosos de diagnóstico, 170
indicadores luminosos del sistema, 169

P

placa base, 153, 156, 162
placa base. *Consulte* placa base
problemas. *Consulte solución de problemas*

R

Restaurar sistema, 174

S

sistema operativo
volver a instalar, 126
volver a instalar Windows XP, 175
sitio web de asistencia técnica, 127
sitio web de asistencia técnica de Dell, 127
solución de problemas
Centro de ayuda y soporte técnico, 126
códigos de sonido, 172
conflictos de hardware y software, 173
Dell Diagnostics, 166
indicadores luminosos de diagnóstico, 170

indicadores luminosos del sistema, 169
restaurar al estado de funcionamiento anterior, 174
Solucionador de problemas de hard, 173

Solucionador de problemas de hardware, 173

V

volver a instalar
Windows XP, 175

W

Windows XP
Centro de ayuda y soporte técnico, 126
configuración, 177
Restaurar sistema, 174
Solucionador de problemas de hardware, 173
solucionador de problemas de hardware, 173
volver a instalar, 126, 175

Free Manuals Download Website

<http://myh66.com>

<http://usermanuals.us>

<http://www.somanuals.com>

<http://www.4manuals.cc>

<http://www.manual-lib.com>

<http://www.404manual.com>

<http://www.luxmanual.com>

<http://aubethermostatmanual.com>

Golf course search by state

<http://golfingnear.com>

Email search by domain

<http://emailbydomain.com>

Auto manuals search

<http://auto.somanuals.com>

TV manuals search

<http://tv.somanuals.com>