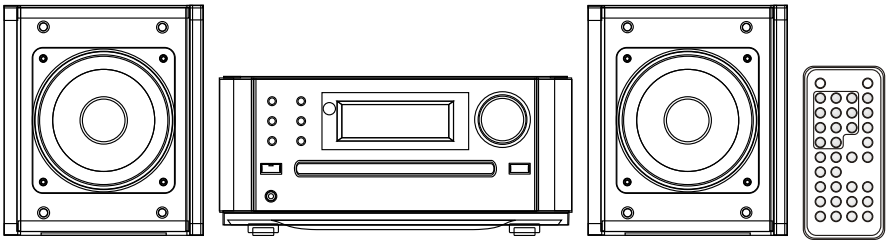


SRCD-719



INSTRUCTION MANUAL

WARNING

- TO PREVENT FIRE OR SHOCK HAZARD, DO NOT USE THIS PLUG WITH AN EXTENSION CORD, RECEPTACLE OR OTHER OUTLET UNLESS THE BLADES CAN BE FULLY INSERTED TO PREVENT BLADE EXPOSURE.
- TO PREVENT FIRE OR SHOCK HAZARD. DO NOT EXPOSE THIS APPLIANCE TO RAIN OR MOISTURE.
- TO PREVENT ELECTRICAL SHOCK, MATCH WIDE BLADE PLUG TO WIDE SLOT FULLY INSERT.



The lightning flash with arrowhead symbol, within an equilateral triangle, is intended to alert the user to the presence of 'uninsulated' dangerous voltage within the product's enclosure that may be of sufficient magnitude to constitute a risk of electric shock to persons.

CAUTION


**RISK OF ELECTRIC SHOCK
DO NOT OPEN**



Warning: To reduce the risk of electric shock do not remove cover (or back), no user serviceable parts inside refer servicing to qualified service personnel.

The exclamation point within an equilateral triangle is intended to alert the user to the presence of important operating and maintenance (servicing) instructions in the literature accompanying the appliance.

IMPORTANT SAFETY INSTRUCTIONS

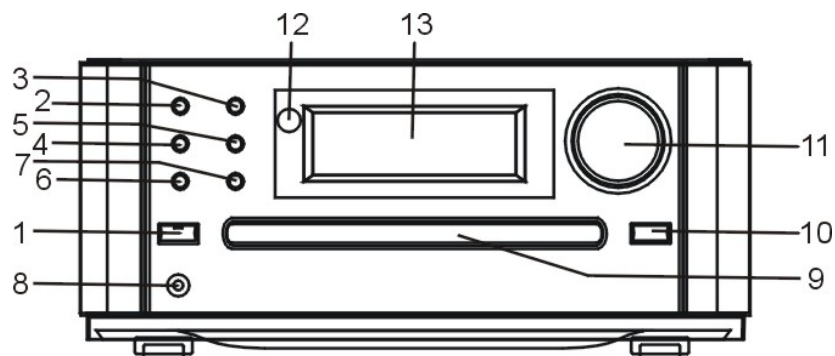
- 1) Read these instructions.
 - 2) Keep these instructions.
 - 3) Heed all warnings.
 - 4) Follow all instructions.
 - 5) Do not use this apparatus near water.
 - 6) Clean only with dry cloth.
 - 7) Do not block any ventilation openings. Install in accordance with the manufacturer's instructions.
 - 8) Do not install near any heat sources such as radiators, heat registers, stoves, or other apparatus (including amplifiers) that produce heat.
 - 9) Do not defeat the safety purpose of the polarized or grounding-type plug. A polarized plug has two blades with one wider than the other. A grounding type plug has two blades and a third grounding prong. The wide blade or the third prong are provided for your safety. If the provided plug does not fit into your outlet, consult an electrician for replacement of the obsolete outlet.
 - 10) Protect the power cord from being walked on or pinched particularly at plugs, convenience receptacles, and the point where they exit from the apparatus.
 - 11) Only use attachments/accessories specified by the manufacturer.
 - 12) Use only with the cart, stand, tripod, bracket, or table specified by the manufacturer, or sold with the apparatus. When a cart is used, use caution when moving the cart/apparatus combination to avoid injury from tip-over.
- 
- 13) Unplug this apparatus during lightning storms or when unused for long periods of time.
 - 14) Refer all servicing to qualified service personnel. Servicing is required when the apparatus has been damaged in any way, such as power-supply cord or plug is damaged, liquid has been spilled or objects have fallen into the apparatus, the apparatus has been exposed to rain or moisture, does not operate normally, or has been dropped.
 - 15) This appliance shall not be exposed to dripping or splashing water and that no object filled with liquids such as vases shall be placed on apparatus.

Quick View

To get the maximum enjoyment and performance from this product, please read this manual and familiarize yourself with the functions and controls before attempting to operate it. Correct usage will assure years of trouble free performance and listening pleasure.

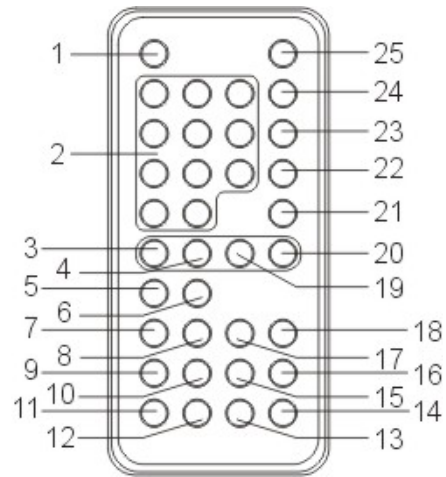
Front View

- | | |
|----------------------|-----------------------|
| 1. POWER button | 8. Phones |
| 2. CD/MP3 button | 9. CD Door |
| 3. TUNER button | 10. EJECT button |
| 4. SKIP REW button | 11. VOLUME +/- button |
| 5. SKIP FWD button | 12. SENSOR |
| 6. STOP button | 13. LCD Display |
| 7. PLAY/PAUSE button | |



Remote Control

1. POWER button
2. KEY PAD
3. Track/Tune REW button
4. Track/Tune Forward button
5. CD/MP3 button
6. TUNER/BAND button
7. INTRO button
8. PROG. button
9. MEMO button
10. ESP button
11. MP3 Mode button
12. MP3 Clear button
13. MP3 Enter button
14. COLOUR button
15. Display button
16. M-DOWN button
17. RDM button
18. REP.M-UP button
19. STOP button
20. PLAY/PAUSE button
21. TONE button
22. VOL – button
23. VOL+ button
24. MUTE button
25. EJECT button



Getting Started

Unpacking your RCD719 MP3 Micro System

Carefully remove your CD micro system from its packaging. You may wish to store the packaging for future use.

Box Contents:

- CD/MP3 micro system
- 2 speakers (speaker cables attached)
- Remote control
- AM Loop Antenna
- User Guide

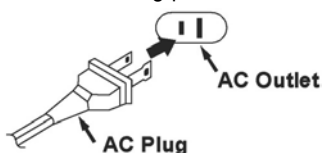
AC CONNECTION

Plug the power cord into an AC outlet having 120v,60Hz only. Connecting this unit to other power sources may damage the unit.

NOTES:

*The AC polarized plug helps to minimize the possibility of electric shock. If the polarized plug does not fit into a nonpolarized AC outlet, do not file or cut the wide blade; it is the user's responsibility to have an electrician replace the obsolete outlet.

*The power cord should be unplugged from the outlet when the unit is not going to be used for a long period of time.



Installation

Speaker Connection

1. Unwind the cable from each speaker.
2. At the rear of the CD micro system there are two speaker sockets.
3. Plug the speaker located on the left into the socket marked 'L' and coloured white.
4. Plug the speaker located on the right into the socket marked 'R' and coloured red.
5. For optimal stereo effect, place the speakers approximately 1.5m apart.

AC Power Connection

1. Connect the mains plug to a mains supply socket and switch on the supply.
2. At the front of the CD micro system unit, press the STANDBY button.
3. The LCD display will light up.

Antenna

The FM antenna is attached to the back of the unit. Unwind the wire. Positioning is described in the Radio section.

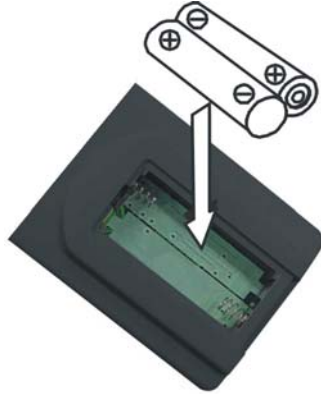
The AM antenna is a separate loop aerial that plugs into the back of the unit at the socket marked 'AM ANT.'. Its assembly is described in the Radio section.

Remote Control

The remote control requires 2 x AAA Lithium Battery (not included).

Battery Installation

1. Open the battery compartment cover.



2. Insert two "AAA" batteries (not included) to match the polarities as indicated inside the battery compartment.
3. Close the cover.

Note: When the batteries become too weak, the operating distance of the remote controller is greatly reduced and you will need to replace the batteries.

Operating the remote control

Point the remote control at the front of the CD micro system, to operate. The IR sensor is located below the LCD display. The remote control will work up to 7m away from the IR sensor.

Do not block the path of the beam from the remote control to the unit. Dark walls, direct sunlight or very bright light will reduce the sensitivity of the IR sensor.

Colour

You can change the colour on the display by pressing the COLOUR button (Blue/ Green/ Cyan/ Red/ Yellow/ Purple/ White). You may change to another colour by pressing the COLOUR button again.

Setting the Clock

The clock can be set by using the MEMO buttons on the remote control. When it is on standby Mode.

Setting the Clock

1. Connect the main plug to a main supply socket.
2. Press and hold the MEMORY button on the remote control, until the digit is Flashing.
3. Press TONE button, the display will show the time with the hours flashing, use either of the SKIP buttons to select the hours and press MEMO button, the hours stops flashing and set.
4. The display will show the time with the minutes flashing, Use either of the SKIP buttons to select the minutes and press MEMO button, the minutes stops flashing and set.

The clock is now set.

Operation

Now your CD micro system is installed and ready for use, please refer to the following instructions for correct operation.

AC Power Operation

The CD micro system will be in standby mode, when the AC power supply is connected and switched on.

At the front of the CD micro system, or using the remote control, press POWER, to switch the CD micro system on. The LCD display will light up.

Volume Control

WARNING

Do not turn off the CD micro system when the volume is set at high level. When it is subsequently turned on, a sudden blast of sound may damage your hearing and the external speakers.

The volume level can be adjusted either using the controls on the unit or by the remote control.

On the unit turn the volume control towards the '+' sign to increase the volume and towards the '-' sign to reduce the volume. The volume level will be displayed while adjustments are being made.

Note: The volume control on the unit does not fully rotate, you only need to turn the control until it clicks.

To adjust the volume level using the remote control, press the VOLUME +/- buttons.

Press MUTE on the remote control to mute the sound. Press MUTE again to resume sound.

Note: Pressing any of the volume control buttons will also resume sound.

Headphones

Note: Reduce the volume to a low level before putting on headphones. Adjust volume to a comfortable level.

A headphones socket is provided for private listening. It is located on the front of the unit. see page 2.

A pair of stereo headphones with a 3.5mm stereo plug is required(not included). Insert the stereo plug into the socket for headphone use.

The external speakers are automatically disconnected when headphones are in use.

TONE

Your CD micro system has " BASS/TREBLE" sound effect setting. The setting can be selected by pressing the TONE button on the remote.

- a. Press TONE 2 times to Bass mode.
- b. Press TONE 3 times to Treble mode.
- c. Press Vol Up/Down button to adjust the Bass/Trebel effect.

ESP

To turn ON/OFF the ESP function at stop mode for antishock during MP3 playing.

Radio

Operation

At the front of the CD micro system, or using the remote control, press POWER, to switch the CD micro system on. The LCD display will light up.

Press either TUNER/BAND button on the remote control or the TUNER on the unit to select the radio tuner.

Tuning

Press either TUNER/BAND on the remote control or TUNER/BAND on the unit to select between FM and AM bands.

Use the tuning UP/DOWN button on the remote control or on the unit to select the desired station. The frequency will display on the LCD display.

Pressing any of the tuning buttons briefly will change the frequency by one increment. Pressing and holding the button for a couple of seconds will cause the tuner to search for the next radio station.

Pressing any of the tuning buttons during a search will stop the search.

FM

FM Antenna

Fully extend the FM antenna wire and position it to obtain the best FM reception.

FM Stereo

The CD micro system is capable of receiving stereo FM broadcasts. When you tuned to a stereo broadcast, 'STEREO' will be displayed.

AM

AM Loop Antenna

For AM reception broadcasts are picked up through a loop antenna that plugs into the back of the unit.

The antenna assembly has a fixing system attached that can be folded to form either a stand or wall mounting as shown in the figures opposite. The wall mounting has two

holes for round head screws. These are not supplied.

Note: It is normal for the position of the antenna to be adjusted to achieve the best reception. If selecting the wall mounted option ensure that you can receive the radio stations you listen to before fixing.

As supplied



Folded to form a stand



Folded for wall mounting



Preset Memory Stations

Your CD/MP3 micro system can store up to 40 preset radio stations, 20 FM and 20 AM.

Once a station is in a preset memory it can be retuned by pressing the REP.M-UP/M-DOWN button on the remote control until the desired preset number is displayed.

To Preset Stations using the Remote Control

1. Press the Tuning buttons to select the desired frequency.
2. Press the MEMO button. MEMORY will flash on the display.
3. Press the TRACK/Tune REW button/Forward button until the desired preset memory number is displayed.
4. Press the MEMO button, to store the frequency into the selected memory location. MEMORY will stop flashing and remain on the display.

The frequency is now preset.

CD player

Operation

Use the remote control or from the main unit, press CD/MP3, to switch the CD micro system on. The LCD display will light up.

Set the function switch to CD. The display will initially flash zeros then show 'no disc'.



Only use CDs that bear the CD logo.

Loading and Unloading CDs

1. Press the EJECT button to open the CD compartment.
2. Press the EJECT button to close the CD door. The display will show the total number of tracks and the total playing time. The CD door can be opened at any time.

First press either STOP on the remote control or STOP on the unit, then press the EJECT button.

Please Note:

- Do not place foreign objects into the CD compartment, this may damage the mechanism.
- Always keep the CD door shut, to prevent dust or dirt from getting into CD mechanism.
- Never place more than one CD into the CD compartment at any time.
- *After CD door is closed, CD information may not appear on the LCD display, this means the CD cannot be read by the CD mechanism. Refer to the 'Care and maintenance' section.*

Playing a CD

On CD micro system, or remote control:

1. Press the play/pause button ▶ II . The display will show the track number and the elapsed playing time.

2. To pause playback, press the play/ pause button ▶ II . The elapsed time will hold.
3. To resume playback press play/pause ▶ II again.
4. To stop playback, press either STOP on the remote control or STOP on the unit.

Intro

Press INTRO button on the remote control to intro play the first 10 sec. of each track of the CD/CD-R/CD-RW disc.

Track Selection

Using the remote control:

1. Press either the ◀▶ buttons to select the desired track number.
2. Press play/pause, ▶ II to start playing.

Using the unit controls:

1. Press either of the SKIP/TUNING buttons to select the desired track number.
2. Press PLAY/PAUSE, to start playing.

Track Selection During Play Using the remote control:

1. During play, press either of the ◀▶ buttons to select the desired track number. The selected track will automatically start to play.

Using the unit controls:

1. During play, press either of the SKIP/TUNING buttons to select the desired track number. The selected track will automatically start to play.

Stop Play

1. Press STOP/■ on the remote control or the unit. The display will show the total number of tracks and total playing time.
2. Press the EJECT button, to remove the CD from the compartment.

Programmed Playback

Up to 20 tracks can be programmed for playback.

Using the remote control (at CD STOP mode):

1. Press the MEMO button. MEMORY will show on the display, the track number is shown on the left and the program number on the right, as below.



2. Use the ⏮⏭ buttons to select the desired track number to be programmed first.
3. Press the MEMO button. The display will increment the program number.
4. Use the ⏮⏭ buttons to select the track number to be programmed second in the programmed sequence.
5. Press the MEMO button.
6. Repeat this process until you have entered all of the tracks you wish to play back in the programmed sequence..
7. Press PLAY/PAUSE to start playback. Play back will start with first track selected.
8. To stop playback press STOP/■
9. Opening the CD door will clear the program.

Random Play

1. With the CD loaded, press RDM on the remote control. The tracks will be played in a random order.
2. To cancel random play, either press RDM or STOP on the remote control, or STOP on the unit.

Repeat Play REP.M-UP(AT PLAY MODE)

1. Press the REPEAT on the remote control, to repeat playback of the same track. The REPEAT indicator will show on the display.
2. To repeat all tracks, press M-UP/REPEAT twice. The REPEAT ALL indicator will show on the display.
3. To cancel, press M-UP/REPEAT on the unit until the REPEAT indicator extinguishes.
4. Repeat function will only work on CD playback.

MP3 Disc Playback

Same functions as CD play.

1. Place in the MP3 formatted disc, after reading TOC (Table of Content)
2. The player will automatically detect the MP3 formatted disc and <MP3> will be shown on the LCD Display.
3. MP3 disc will automatic play.
4. To stop playing, press STOP button.

Note:

- It is normal to take longer time for the player to read PM3 disc, as the content of MP3 formatted disc is much more than ordinary CD disc.
- Because of non-standardized format definition/production of MP3 disc, playback quality and performance are not guaranteed.
- If no sound comes out or any problem happen when playing MP3 disc, you are suggested to remove the MP3 disc and change to ordinary CD disc.

MP3 MOD

- Press once at stop mode to activate the ID3 ON- to show the MP3 text.
- To switch off this function, press once MP3 MOD button during stop mode.

MP3 SEARCH

- You may search your favourite songs by type in the relate key word.
For example, you would like to search out the songs with the album "Blue Sky" from the entire MP3 disc.

- Press the MP3 MOD button to active the ID-3 function when the disc is stop running .
- Press the MP3 ENTER button to show the input display and type in the key word "BLUE" .
- To erase the previous input letter, you may press the MP3 CLEAR button once.
- Press MP3 ENTER button again to finish the input process and start searching the MP3.
The unit wills automatic search all the root(s), album(s), title(s) and play the song(s) which relate to the word "BLUE".

Care and Maintenance

Compact Disc Care

CD Handling

When handling CDs:

- Do not touch the recorded surface.
- Do not stick paper, or write, on either side of the CD.
- Do not bend the CD.

CD Storage

- To avoid scratches/damage, always put CDs back in their cases, after use.
- Do not expose CDs to direct sunlight, high temperature/humidity, for long periods.

Cleaning CDs

When cleaning CDs:

- Use a soft cloth, to wipe fingerprints and dust from the disc surface.
- Wipe in a straight line from the centre to the outside of the disc. Small dust particles and light stains, will not affect playback.
- Never use benzene, thinners, record cleaner fluid, or antistatic spray to clean CDs.

Care of the CD Micro system

Cleaning

- Always unplug the product before you clean it.
- Do not use liquid or aerosol cleaners.
- Clean your product with a soft, damp (not wet) cloth.

Ventilation

- Do not block or cover ventilation slots. Blocking of ventilation slots, may lead to overheating of the product.

Fault Finding

Product will not operate.

- Ensure product is connected to the mains supply and switched ON.
- Ensure the POWER button has been pressed.

No sound

- Ensure speakers are properly connected.
- Adjust volume level.
- Check, headphones are not plugged in.

Poor radio reception

- Ensure aerial is positioned to receive best signal.
- Adjust tuning to improve reception.
- Possible interference from electrical equipment (e.g. Television). Reposition product, to reduce interference.

No sound/poor sound quality from CD player

- Ensure CD is correctly loaded, label side up.
- Ensure CD is free from dust, dirt or scratches. CD may require replacement.
- Condensation on optic lens. Wait 30 minutes, then retry operation.
- CD skipping. Ensure CD is free from dust, dirt or scratches, clean CD. Ensure product is not subject to vibration.

Specification

POWER SUPPLY 120V ~ 60Hz

Radio

FREQUENCY RANGE

FM 87.5 - 108MHz

AM 530 - 1710kHz

Laser

OPTICAL PICKUP Class 1 Laser

Note: Specification subject to change without notice.

Free Manuals Download Website

<http://myh66.com>

<http://usermanuals.us>

<http://www.somanuals.com>

<http://www.4manuals.cc>

<http://www.manual-lib.com>

<http://www.404manual.com>

<http://www.luxmanual.com>

<http://aubethermostatmanual.com>

Golf course search by state

<http://golfingnear.com>

Email search by domain

<http://emailbydomain.com>

Auto manuals search

<http://auto.somanuals.com>

TV manuals search

<http://tv.somanuals.com>