



**PERSONAL CD PLAYER WITH  
ANTI-SKIP PROTECTION**

**OWNER'S MANUAL**

**MODEL: CD266**

PLEASE READ BEFORE OPERATING THIS EQUIPMENT

## SAFETY PRECAUTIONS



**CAUTION**  
**RISK OF ELECTRIC SHOCK**  
**DO NOT OPEN**



**CAUTION:** TO REDUCE THE RISK OF ELECTRIC SHOCK, DO NOT REMOVE COVER (OR BACK). NO USER-SERVICEABLE PARTS INSIDE. REFER SERVICING TO QUALIFIED SERVICE PERSONNEL.



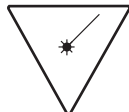
### **DANGEROUS VOLTAGE:**

The lightning flash with arrowhead symbol, within an equilateral triangle is intended to alert the user to the presence of un-insulated dangerous voltage within the product's enclosure that may be of sufficient magnitude to constitute a risk of electric shock to persons.



### **ATTENTION:**

The exclamation point within an equilateral triangle is intended to alert the user to the presence of important operating and maintenance (servicing) instructions in the literature accompanying the appliance.



### **DANGER:**

Invisible and hazardous laser radiation when open and interlock failed or defeated. Avoid direct exposure to beam.

### **FCC WARNING:**

This equipment may generate or use radio frequency energy. Changes or modifications to this equipment may cause harmful interference unless the modifications are expressly approved in the instruction manual. The user could lose the authority to operate this equipment if an unauthorized change or modification is made.

### **SURGE PROTECTORS:**

It is recommended to use a surge protector for AC connection. Lightning and power surges ARE NOT covered under warranty for this product.

## SAFETY PRECAUTIONS

### INFORMATION:

This equipment has been tested and found to comply with the limits for a Class B digital device, pursuant to Part 15 of the FCC Rules. These limits are designed to provide reasonable protection against harmful interference in a residential installation. This equipment generates, uses, and can radiate radio frequency energy and, if not installed and used in accordance with the instructions, may cause harmful interference to radio communications. However, there is no guarantee that interference will not occur in a particular installation. If this equipment does cause harmful interference to radio or television reception, which can be determined by turning the equipment off and on, the user is encouraged to try to correct the interference by one or more of the following measures:

- Reorient or relocate the receiving antenna.
  - Increase the separation between the equipment and receiver.
  - Connect the equipment into an outlet on a circuit different from that to which the receiver is connected.
  - Consult the dealer or an experienced radio/TV technician for help.
- 
- Do not open the CD compartment while the CD is rotating.
  - Always keep the CD compartment closed when not in use.
  - Keep all foreign objects out of the CD compartment.
  - Place the unit on a stable surface.
  - Avoid installing the unit in locations described below:
    - Places exposed to direct sunlight or close to heat radiating appliances such as electric heaters.
    - On top of other stereo equipment that radiates too much heat.
    - Placed lacking ventilation or dusty places.
    - Places subject to constant vibration.
    - Humid or moist places.

**Dear Customer:**

Selecting fine audio equipment such as the unit you've just purchased is only the start of your musical enjoyment. Now it's time to consider how you can maximize the fun and excitement your equipment offers. This manufacturer and the Electronic Industries Association's Consumer Electronics Group want you to get the most out of your equipment by playing it at a safe level. One that lets the sound come through loud and clear without annoying blaring or distortion and, most importantly, without affecting your sensitive hearing. Sound can be deceiving. Over time your hearing "comfort level" adapts to higher volumes of sound. So what sounds "normal" can actually be loud and harmful to your hearing. Guard against this by setting your equipment at a safe level BEFORE your hearing adapts.

**To establish a safe level:**

- Start your volume control at a low setting.
- Slowly increase the sound until you can hear it comfortably and clearly, and without distortion.

**Once you have established a comfortable sound level:**

- Set the dial and leave it there.

Taking a minute to do this now will help to prevent hearing damage or loss in the future. After all, we want you listening for a lifetime.

**We Want You Listening For A Lifetime**

Used wisely, your new sound equipment will provide a lifetime of fun and enjoyment. Since hearing damage from loud noise is often undetectable until it is too late, this manufacturer and the Electronic Industries Association's Consumer Electronics Group recommend you avoid prolonged exposure to excessive noise. This list of sound levels is included for your protection.

**Decibel**

<u>Level</u>	<u>Example</u>
30	Quiet library, soft whispers
40	Living room, refrigerator, bedroom away from traffic
50	Light traffic, normal conversation, quiet office
60	Air conditioner at 20 feet, sewing machine
70	Vacuum cleaner, hair dryer, noisy restaurant
80	Average city traffic, garbage disposals, alarm clock at two feet

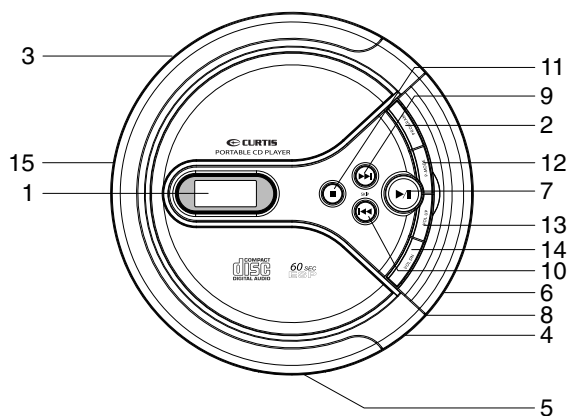
**THE FOLLOWING NOISES CAN BE DANGEROUS UNDER CONSTANT EXPOSURE:**


90	Subway, motorcycle, truck traffic, lawn mower
100	Garbage truck, chain saw, pneumatic drill
120	Rock band concert in front of speakers, thunderclap
140	Gunshot blast, jet engine
180	Rocket launching pad



Information courtesy of the Deafness Research Foundation.

## LOCATION OF CONTROLS



- |   |                      |
|---|----------------------|
| 1. Display  | 8. Phones Jack       |
| 2. PROGRAM Button   | (Side of Unit)       |
| 3. DC 4.5V Jack   | 9. SKIP UP Button    |
| (Side of Unit)  | 10. SKIP DOWN Button |
|  | 11. STOP (■) Button  |
| 4. CD Compartment   | 12. MODE Button      |
| 5. CD Door Open Switch  | 13. VOLUME UP        |
| 6. Line Out Jack  | 14. VOLUME DOWN      |
| (Side of Unit)  |                      |
| 7. Play/Pause   |                      |
| (▶   )/Power on Button  |                      |

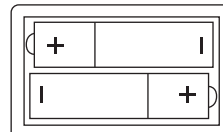
## POWER SOURCES

This CD player requires either two (2) "AA" batteries (not included) or the AC adapter (not included).

### BATTERY INSTALLATION

The low battery indicator will light in the display when batteries are low (when using battery power).

1. Open the battery compartment door on the bottom of the unit by sliding it out and then lifting it. **To prevent the possibility of losing the cover, it cannot be removed.**
2. Insert two (2) "AA" batteries (not included) according to the polarity diagram inside the battery compartment. Alkaline batteries are recommended for the longest playing time.



### BATTERY PRECAUTIONS

Follow these precautions when using batteries in this device:

1. Use only the size and type of batteries specified.
2. Be sure to follow the correct polarity when installing the batteries as indicated in the battery compartment. Reversed batteries may cause damage to the device.
3. Do not mix different types of batteries together (e.g. Alkaline and Carbon-zinc) or old batteries with fresh ones.
4. If the device is not to be used for a long period of time, remove the batteries to prevent damage or injury from possible battery leakage.

### AC OPERATION

To operate the unit using AC power, connect an AC adapter (not included) to an AC outlet having 120V, 60Hz AC only. Plug the small end into the DC 4.5V jack on the side of the unit and connect the other end into the AC outlet. The batteries are automatically disconnected when the AC adapter is used.

DC 4.5V, 600 mA



## POWER SOURCES (CONTINUED)

### NOTES:

- Please read the battery instructions that came with the batteries.
- **IMPORTANT:** Make sure to recycle rechargeable batteries at the end of their useful life. Check with your local waste officials for details regarding recycling.



### Audio Sound Through a Home Audio System

By using a home audio connection cable (not included), superb audio sound can be heard through your home audio system. Before making any connections, turn off the power to all equipment.

Plug a connection cable (not included) between the LINE OUT jack on the side of the CD player and the amplifier's AUX or CD input jack. (Do not connect it to the amplifier's PHONO jack.)

**NOTE:** If the radio interferes with TV reception, move the unit away from the TV or turn off the power to this unit.

## OPERATION

Press the PLAY/PAUSE (▶|||)/Power On button to turn the unit on. To turn the unit off, press the STOP (■)/Power Off button twice. The unit will automatically shut off if stopped (CD Standby) for 30 seconds.

### TO INSERT AND PLAY A CD

This unit plays CD, CD-R and CD-RW discs.

Note: CD-R/CD-RW discs must be first be finalized.

Press the PLAY/PAUSE (▶|||)/Power On button to turn the unit on. Open the CD door by sliding the CD Door Open switch. Gently press a disc, label side up, onto the spindle unit it locks in place. Close the CD door; playback will begin automatically.

If in the Stop mode, press the PLAY/PAUSE (▶||| )/Power On button to begin playback; the current track and elapsed playing time (CD information and folder will also appear.

Adjust the VOLUME control on the side of unit.

When the disc is through playing, it will stop. Press the STOP (■)/Power Off button to stop the disc before it is finished. Press the STOP (■)/Power Off button again to turn the unit off.



## OPERATION (CONTINUED)

### CD PLAYBACK NOTES:

- When reocrding ("burn") CDs, make sure the session is "finalized", or simply record ("burn") only one session. You can find more information in your recorder's manual.
- This unit is capable of playing standard CDs or 3" singles; no adapter is required.
- If a disc is inserted incorrectly, dirty, damaged or not present at all, "No Disc" will appear in the display.
- If a disc is not recorded properly, a disc error will occur and the unit will not play back the CD.
- Playback will stop when you open the CD compartment, but it is not recommended to open the compartment before the STOP (■)/Power Off button is pressed.
- If there is no activity for 30 seconds, the unit will turn itself off to save the batteries.

### TO PAUSE A CD

During CD playback, if you wish to pause the disc momentarily, press the PLAY/PAUSE (▶|||)/Power On button. Playback stops but the disc continues to spin and the elapsed time will blink.

Press the PLAY/PAUSE (▶|||)/Power On button again to release pause and resume playback. The sound and the elapsed time in the display stops blinking.

## OPERATION (CONTINUED)

### TO BEGIN PLAYBACK FROM A SPECIFIC TRACK

After you insert the disc into the CD player and the total number of tracks appears on the display, you may press either the Skip/Search **⏮** or **⏭** button to select a specific track for playback.

When the desired track number appears in the display, press the PLAY/PAUSE (**▶||**)/Power On button. Playback will begin with the track (or file) you selected.

### FORWARD/REVERSE SKIP TRACK

During playback, press and release the Skip/Search **⏭** button once to advance the player to the beginning of the next track. Press the Skip/Search **⏭** button repeatedly to advance the player to higher-numbered tracks.

### HIGH-SPEED MUSIC SEARCH

During playback, depress and hold either the Skip/Search **⏮** or **⏭** button to move the player forward or backward within a track to locate a specific musical passage. The player will move forward to backward at high speed as long as the buttons are depressed. When you release the Skip/Search **⏮** **⏭** button, normal playback will resume.

## OPERATION (CONTINUED)

### REPEAT PLAYBACK OF ONE TRACK

To repeat a single track, while in the Stop mode, press the Skip/Search **◀◀ ▶▶** button to select the specific track that you wish to repeat. Press the MODE button once, the Repeat 1 indicator will appear in the display.

When the desired track number appears in the display, press the PLAY/PAUSE (**▶||**)/Power On button to begin playback. The specific track you selected will be repeated continuously.

To cancel repeat playback of the track

1. Press the STOP (**■**)/Power Off button to stop playback; the selected Repeated indicator will disappear from the display.

### INTRO PLAYBACK (Will play the first 10 seconds of each track)

While in the Stop mode, press the MODE button 3 times; "INTRO" will appear in the display.

Press the PLAY/PAUSE (**▶||**)/Power On button to begin intro playback. The first 10 seconds of all tracks on the disc will be played in sequence.

## OPERATION (CONTINUED)

### TO RANDOMLY PLAYBACK A CD

While in the Stop mode, press the MODE button 4 times; "RAND" will appear in the display.

Press the PLAY/PAUSE (▶|||)/Power On button to begin playback. The unit will play all the tracks in random order. When all the tracks have been played, the unit will stop. To cancel Random playback, press the MODE button once to return to normal playback.

To cancel Intro or Random playback:

1. Press the STOP (■)/Power Off button to stop playback; the selected indicator will disappear from the display.

### TO PROGRAM THE MEMORY

Programming is the ability to preselect the order in which a series of tracks will be played.

While in the Stop mode, press the PROG. Button. The "PROG" will blink and "P-01" will appear in the display.

Select a track to be programmed using the Skip/Search ◀◀ or ▶▶ button.

## OPERATION (CONTINUED)

Press the PROG. Button to memorize the track. Repeat steps 2 and 3 to program additional tracks.

Press the PLAY/PAUSE (▶|||)/Power On button to begin program playback.

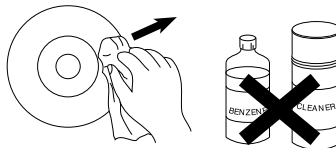
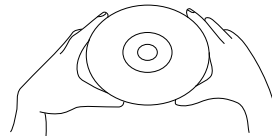
### NOTES ON PROGRAM PLAYBACK

- To add a track to the program memory, simply press the PROG. button repeatedly until the track appears and "PROG" blinks in the display, then continue as per the steps 2 and 3 on the previous page.
- Press the STOP (■)/Power Off button to stop the program before it is finished (the program memory will be kept).
- Each file may be stored in the program memory as many times as desired.
- You can scroll through the program while it is playing using the Skip/Search ◀◀ or ▶▶ button.
- To clear Program memories, press the STOP (■)/Power Off button twice to turn the unit off, or open the CD door.

## CARE AND MAINTENANCE

### Caring for Compact Discs

- Treat the compact disc carefully. Handle the compact disc only by its edges. Never allow your fingers to come in contact with the shiny, unprinted side of the compact disc.
- Do not attach adhesive tape, stickers, etc. to the compact disc label.
- Clean the compact disc periodically with a soft, lint-free, dry cloth. Never use detergents or abrasive cleaners to clean the compact disc. If necessary, use a CD cleaning kit.
- If a compact disc skips or gets stuck on a section of the compact disc, it is probably dirty or damaged (scratched).
- When cleaning the compact disc, wipe in straight lines from the center of the compact disc to the outer edge of the compact disc. Never wipe in circular motions.



- This unit is designed to play only compact discs bearing the identification logo as shown here. Other discs may not conform to the CD standard and may not play properly.
- Compact Discs should be stored in their cases after each use to avoid damage.
- Do not expose compact discs to direct sunlight, high humidity, high temperatures or dust, etc. Prolonged exposure or extreme temperatures can warp the compact disc.
- Do not stick or write anything on either side of the compact disc. Sharp writing instruments, or the ink, may damage the surface.



### Cleaning the Unit

- To prevent fire or shock hazard, disconnect your unit from the AC power source when cleaning.
- The finish on your unit may be cleaned with a dust cloth and cared for as other furniture. Use caution when cleaning and wiping the plastic parts.
- Mild soap and a damp cloth may be used on the front panel.

## TROUBLESHOOTING GUIDE

If you experience a problem with this unit, check the chart below before calling for service.

Symptom	Possible Cause	Solution
Unit will not turn on.	Weak or dead batteries.	Replace batteries.
	Batteries not inserted correctly.	Insert correctly.
	AC adapter not connected.	Check AC adapter connection.
Disc will not play.	CD compartment not closed.	Close CD compartment
	Disc inserted incorrectly.	Reinsert disc correctly.
	Dirty or defective disc.	Try another disc.
	Moisture condensation on disc.	Wipe disc with soft cloth.
No sound from headphones.	Headphone plug not inserted correctly.	Reinsert headphone plug correctly.
	VOLUME control set to minimum.	Increase volume.
	Weak batteries.	Replace batteries.
	Defective disc.	Try another disc.
Erratic playback.	Dirty or defective disc.	Clean or replace disc.





## LIMITED PRODUCT WARRANTY



Audio Product  
Telecom Product  
TV  
DVD Player

This quality product is warranted to be free from manufacturer's defects in material and workman-ship, provided that the unit is used under the normal operating conditions intended by the manufacturer.

Should you have any problem with this product, please and it is highly recommended to visit our website at [www.curtisint.com](http://www.curtisint.com) before you take any other steps as we have additional copies of instruction manuals, operating manuals and trouble shooting tips on our website which gives you the answer on most of the questions you could have in operating the unit.

### TERMS OF WARRANTY

C.I. Service Dept. warrants this product to be free from defects in materials and workmanship for 1 year on parts and 90 days on labor.

Nothing within this warranty shall imply that C.I. will be responsible or liable for any damage to any items placed in this product, whether due to any defect of the product, or its use, whether proper or improper.

### EXCLUSIONS

Save as herein provided, C.I. Service Dept. (Canada) or C.I. Service Dept. (USA), there are no other warranties, conditions, representations or guarantees, express or implied, made or intended by C.I. or its authorized distributors and all other warranties, conditions, representations or guarantees, including any warranties, conditions, representations or guarantees under any Sale of Goods Act or like legislation or statute is hereby expressly excluded. Save as herein provided, C.I. Service Dept. (Canada) or C.I. Service Dept. (USA), shall not be responsible for any damages to persons or property, including the unit itself, howsoever caused or any consequential damages arising from the malfunction of the unit and by the purchase of the unit, the purchaser does hereby agree to indemnify and save harmless C.I. from any claim for damages to persons or property caused by the unit.

### TO OBTAIN REPAIRS UNDER THE TERMS OF THIS WARRANTY

1. The original purchaser must present a copy of the original bill of sale and the service warranty card.
2. Any alterations, abuse, misuse, battery corrosion or accidental damage voids the warranty.
3. The warranty does not cover cabinets and accessories.
4. No warranty or insurance contained or set out shall apply when damage or repair is caused by power failure; damage in transit or when moving the unit; improper power supply; use for commercial or industrial purposes; service calls resulting in customer education, etc.
5. The defective product should be taken or mailed to:

<b>Canada</b> <b>C.I. Service Dept.</b> <b>315 Attwell Drive</b> <b>Etobicoke, Ontario.</b> <b>M9W 5C1</b>	<b>U.S.A</b> <b>C.I. Service Dept.</b> <b>181 Cooper Avenue</b> <b>Unit 104</b> <b>Tonawanda, N.Y.</b> <b>14150</b>
--	--
6. If mailing the product, the freight must be prepaid and a money order for \$7.00 should be included to cover the cost of insurance and the return of the product.
7. C.I. reserves the right to repair or replace the parts which have become defective.

Model No. .... Date Purchased ..... Serial No. ....

## Free Manuals Download Website

<http://myh66.com>

<http://usermanuals.us>

<http://www.somanuals.com>

<http://www.4manuals.cc>

<http://www.manual-lib.com>

<http://www.404manual.com>

<http://www.luxmanual.com>

<http://aubethermostatmanual.com>

Golf course search by state

<http://golfingnear.com>

Email search by domain

<http://emailbydomain.com>

Auto manuals search

<http://auto.somanuals.com>

TV manuals search

<http://tv.somanuals.com>