

## English

### LIMITED HARDWARE WARRANTY

Creative Technology Ltd ("Creative") warrants the product enclosed herein to be free of defects for a period of twelve (12) months from date of purchase. In the event of a defect in material or workmanship during the warranty period, Creative, at its sole discretion, will either repair or replace the defective product when the defective product is returned to Creative by the owner as further outlined herein. The remedy for this breach of warranty is limited to servicing or replacement only and shall not cover any other damages, whatsoever.

**CREATIVE SPECIFICALLY DISCLAIMS ALL OTHER WARRANTIES, EXPRESS OR IMPLIED, INCLUDING BUT NOT LIMITED TO IMPLIED WARRANTIES OF MERCHANTABILITY, NON-INFRINGEMENT AND FITNESS FOR A PARTICULAR PURPOSE, WITH RESPECT TO THE USE OF THIS PRODUCT. IN NO EVENT SHALL CREATIVE BE LIABLE FOR ANY LOSS OF PROFIT OR ANY COMMERCIAL DAMAGE, INCLUDING BUT NOT LIMITED TO SPECIAL, INCIDENTAL, CONSEQUENTIAL, OR OTHER DAMAGES.** Some states/countries do not allow exclusion of limitation of liability for consequential or incidental damages, in which case the above limitation may not apply to you.

Creative makes final determination whether such product is defective. You must deliver the product with a return material authorization (RMA) number and a dated proof of purchase.

To receive an RMA number, contact Creative's Technical Support. If Creative's Technical Support verifies the product is defective, the Return Material Authorization Department will issue an RMA number to note on the outer package of the product being returned. Creative cannot accept any product that does not include an RMA number on the package. You must use the original container (or the equivalent), pay any shipping charges, and assume the risk of damage or loss in transit.

Creative may use new or reconditioned parts, and any replaced parts or product become the property of Creative. Creative warrants the repaired or replacement product to be free from defects in material and workmanship for the remainder of the initial warranty period.

### CUSTOMER SERVICE / TECHNICAL SUPPORT

Enjoy a host of benefits by registering your product at [www.creative.com/register](http://www.creative.com/register)

Benefits include:

- Service and Technical Support
- Exclusive updates on promotions and events

### Inside U. S. A., Canada and Latin America

Visit our online help websites for help with installation, answers to frequently asked questions, or troubleshooting tips. Our websites hold a wealth of information as well as up-to-the-minute software and driver upgrades.

<http://www.americas.creative.com/support/>

For comments or questions regarding our technical support, you can also contact us at (405) 742-6662 or at the following address:

Creative Labs Inc.  
Technical Support  
1523 Cimarron Plaza  
Stillwater, OK 74075

### Inside Asia

Creative Technology Ltd.  
To reach Technical Support via the Internet, visit our web site at

<http://asia.creative.com/support>

### Technical Support

31 International Business Park  
Creative Resource  
Singapore 609921  
Tel: 65-6895-4100

Operating hours (Singapore Time):  
Mon-Fri 9:00 a.m.-6:00 p.m.  
Sat-Sun & Public Holidays closed

### August

© 2002, Creative Technology Ltd. All rights reserved. The Creative logo, EAX and Sound Blaster are registered trademarks and Audigy, Sound Blaster Audigy, Extigy, Inspire, Creative Inspire, the EAX logo and Live! are trademarks of Creative Technology Ltd. in the United States and other countries. Cambridge SoundWorks is a registered trademark of Cambridge SoundWorks, Inc., Newton, MA. NOMAD is a registered trademark of Aonix and is used by Creative Technology Ltd. and/or its affiliates under license. Microsoft and DirectSound are registered trademarks of Microsoft, Inc. Dolby is a registered trademark of Dolby Laboratories. All other brand or product names mentioned are trademarks or registered trademarks of their respective holders and are hereby recognized as such. All specifications are subject to change without prior notice. Use of this product is subject to a limited warranty. Actual contents may differ slightly from those pictured.

P/N 030000000205 Rev. A

# CREATIVE INSPIRE™ 5.1 5200

## MULTIMEDIA SPEAKER SYSTEM

### MULTIMEDIA HOPARLÖR SİSTEMİ

#### 多媒體喇叭系統

マルチメディア スピーカー システム

#### 多媒体音箱系統

#### Quick Start Guide

#### Démarrage rapide

#### Instalación rápida

#### Introdução Rápida

#### Hızlı Başlat Kılavuzu

#### 快速開始指南

#### クイックスタートガイド

#### 快速安裝指南



CREATIVE

EAX



EAX® technology delivers advanced audio functionality and performance, adding sophisticated audio processing capabilities, interactive and high-definition sound to digital entertainment. EAX technologies are implemented across a range of audio hardware solutions, system software, application software, and application programming interfaces (APIs) from Creative. With EAX technology-enabled products, you can shape and customize your audio experience. Certain EAX features provide advanced audio capabilities for music composition and sound design. EAX technology is redefining the audio experience.

With its five compact, amplified satellite speakers and separate subwoofer, the Creative Inspire 5.1 5200 is an incredibly affordable 5.1 entry-level EAX speaker system for your home theater entertainment. Its 6 discrete channels offer thrilling audio playback. Combined this speaker system with the powerful Sound Blaster Live!® family or the innovative Sound Blaster Audigy™ series audio cards to heighten your movie, music and gaming experience.

For more information on EAX, be sure to visit [EAX.creative.com](http://EAX.creative.com).

## 繁體中文

### 有限硬體保固

Creative Technology Ltd. ("Creative") 承諾本產品自購買日起 12 個月為無故障期限。如若產品在保固期內出現原料或成品上的問題，Creative 將根據自己的判斷，更換或修理使用者所返還到 Creative 的故障產品。對於違反了保固承諾的賠償僅限於產品的服務或更換，不包括其他任何產品的損壞賠償。

Creative 在此對於其他任何擔保，明示或暗示的，包括但不限於商業用途、或適用於特定用途的暗示擔保不承擔責任。就本產品的使用方面，Creative 對於任何利潤的損失或商業損害，包括但不僅限於特定、偶然、相因而生的或其他損害不負有任何責任。在某些國家不允許將偶然或相因而生的損害排除於責任限制之外，上述限制情況可能不適用於您。

對於本產品是否具有缺陷，Creative 具有最終解釋權。您必需提交具有返修授權編號 (RMA) 以及購買日期證明的產品。請聯絡 Creative 的技術支援部門獲取 RMA 編號。如果 Creative 的技術支援部門認定產品存在缺陷，則材料返修認證部門將在返還的產品外包装上加貼一個 RMA 編號。Creative 不接受包裝上無 RMA 編號的任何產品。您必需使用原來的包裝盒 (或相同品)，支付運輸費用，並且承擔運輸過程中可能發生的損壞及丟失風險。

Creative 可能使用新的或者經過維修的元件，任何替換過的元件或產品就成為 Creative 的財產。Creative 承諾經過維修或更換的產品在上述保固期的剩餘時間內不會出現原料或成品方面的故障。

台灣使用者，請訪問<http://taiwan.creative.com> 以獲得有關保固註冊的詳情。

## 简体中文

### 有限硬件保修协议

Creative Technology Ltd("Creative") 承诺本产品自购买日起12个月为有效保修期。假如产品在保修期内出现原料或者成品的供应问题，Creative将根据自己的判断更换或修理用户退回的Creative故障产品。Creative只履行保修期内的“服务”和“更换”的义务，不承担产品其它方面的损坏赔偿。

Creative不承担您主观认为的保修责任。Creative对保修协议有最终的解释权。在特定的、以及特殊的商业用途上，由Creative明确指出的附加保修责任，Creative予以确认并承担有限责任。使用者在使用本产品时造成的任何利润的损失或商业损害，以及任何偶然、特定、相因而生的其他损害，Creative对此将不承担任何责任。某些国家不允许将偶然或者相因而生的损害排除于责任限制之外，所以上述条款可能不适用于这些国家。

对于产品是否有缺陷，Creative具有最终解释权。您必须提交您的产品序列号 S/N，以及您从经销商处获得的有效的购买证明单据(包括购买日期，经销商信息等)。Creative将根据这些有效证明对您购买的Creative产品实行有限保修。

您必须使用本产品原来的包装盒，支付运输费用，并且承担运输过程中所有可能发生的损坏或者丢失的风险。Creative对此不承担任何责任。

Creative可能在对您要保修和维修的产品上使用新的或者经过维修的零件。任何替换下来的零件或者产品都是Creative的财产。Creative承诺经过维修或更换的产品在保修期剩余的时间内仍然实行有限保修。

## Safety and Regulatory Information

The following sections contain notices for various countries:

### NOTICE FOR THE U.S.

FCC Part15: This equipment has been tested and found to comply with the limits for a Class B digital device, pursuant to Part 15 of the FCC Rules. These limits are designed to provide reasonable protection against harmful interference in a residential installation. This equipment generates, uses, and can radiate radio frequency energy and, if not installed and used in accordance with the instructions, may cause harmful interference to radio communications. However, this notice is not guaranteed that interference will not occur in a particular installation. If this equipment does cause harmful interference to radio or television reception, which can be determined by turning the equipment off and on, the user is encouraged to try one or more of the following measures:

- Reorient or relocate the receiving antenna.
- Increase the distance between the equipment and receiver.
- Connect the equipment to an outlet on a circuit different from that to which the receiver is connected.
- Consult the dealer or an experienced radio/TV technician.

CAUTION: To comply with the limits for the Class B digital services, pursuant to Part 15 of the FCC Rules, this device must be installed with computer equipment certified to comply with the Class B limits.

### Modifications

Any changes or modifications not expressly approved by the grantee of this device could void the user's authority to operate the device.

### NOTICE FOR CANADA

This apparatus complies with the Class 'B' limits for radio interference as specified in the Canadian Department of Communications Radio Interference Regulations.



**WARNING:** To prevent fire or shock hazard, do not expose this appliance to rain or moisture.

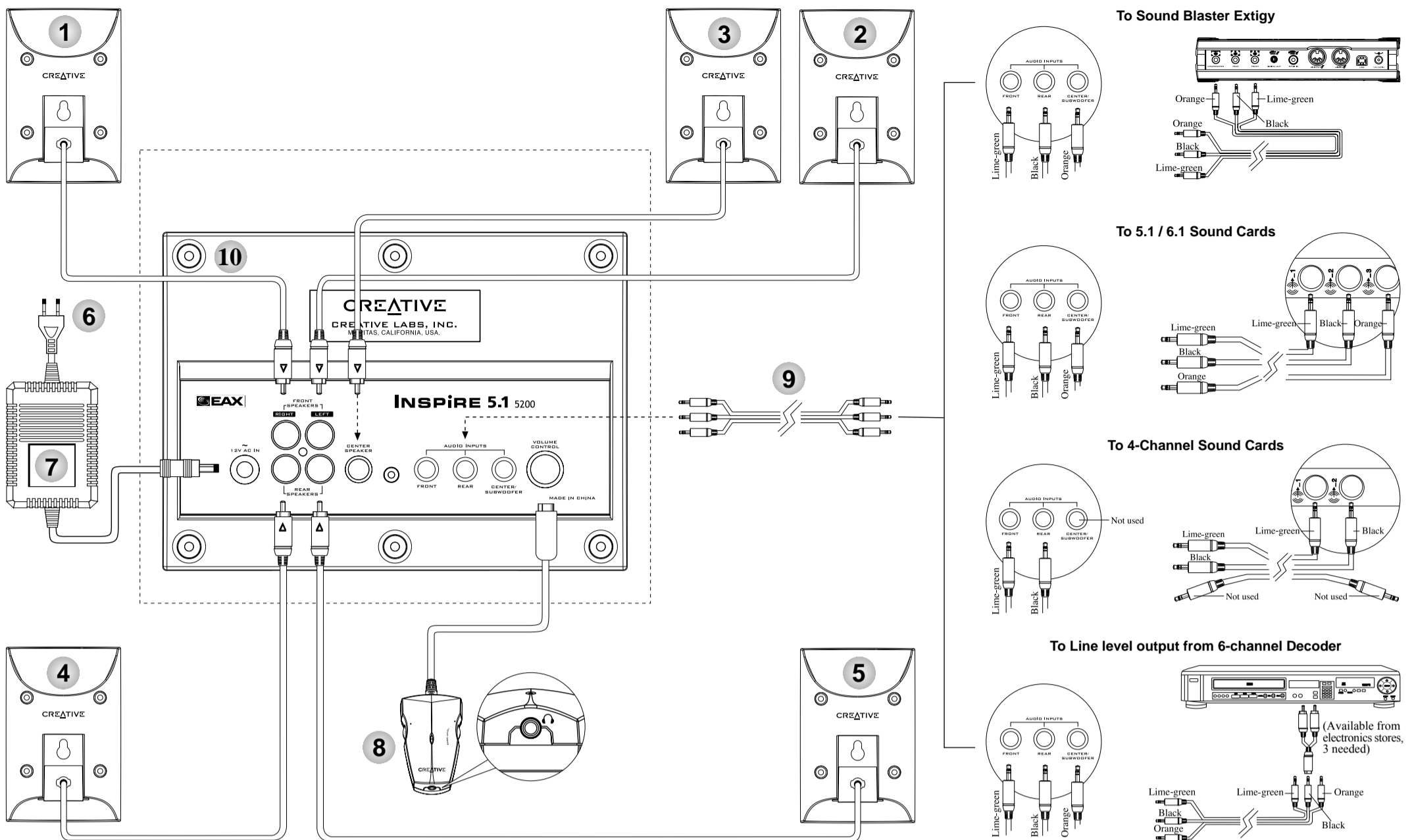
### Important Notice

The serial number for your *Creative Inspire 5.1 5200* is located on the subwoofer. Please write this number down and keep it in a secure place.

English	Français	Español	Português do Brasil	Türkçe	繁體中文	日本語	简体中文
<b>Important Safety Instructions</b> <b>Read and Follow Instructions</b> All safety and operating instructions should be read and followed. <b>Cleaning</b> Unplug the power supply adapter from the wall outlet or power source before cleaning. Do not use liquid cleaners or aerosol cleaners.Use a damp cloth for cleaning. <b>Placement</b> Do not place the speaker system on an unstable cart, stand, tripod, bracket, or table. The speaker may fall, causing injury to a person, and serious damage to the product. <b>Power Sources</b> This speaker system is specifically designed for operation within the electrical range(s) specified on the provided power adapter and use outside of this range shall be at your own risk. Please contact your local electric utility company if you have any questions about the electrical voltage at your intended location of usage. <b>Servicing</b> Do not attempt to service any part of the speaker yourself as opening or removing covers may expose you to dangerous voltage or other hazards. Refer all servicing to qualified service personnel. <b>Compliance</b> This product conforms to the following Council Directive: Directive 89/336/EEC (EMC), 92/31/EEC (EMC), 73/23/EEC (LVD)	<b>Instructions importantes concernant la sécurité</b> <b>Lire et suivre les instructions</b> Lisez et suivez attentivement toutes les instructions de sécurité et d'utilisation. <b>Nettoyage</b> Débranchez l'adaptateur de la prise murale ou de toute autre source électrique avant de procéder au nettoyage de l'appareil. N'utilisez pas de nettoyeurs liquides ou en aérosol. Utilisez un chiffon humide. <b>Positionnement des haut-parleurs</b> N'installez pas le système de haut-parleurs sur une table roulante, un trépied, une console ou tout autre support instable. Le système de haut-parleurs risque de tomber et d'être sérieusement endommagé mais également de blesser une personne. <b>Sources d'alimentation</b> Ce système de haut-parleurs est spécialement conçu pour fonctionner avec les tensions électriques indiquées sur la prise d'alimentation fournie. L'utilisation de tensions not préconisées est à votre propre risque. Contactez votre compagnie d'électricité pour toute question concernant la tension électrique à l'endroit d'utilisation prévu. <b>Réparation</b> N'essayez pas de réparer le système de haut-parleurs vous même. Ouvrir ou retirer les parties protéctrices de l'appareil peut vous exposer à des composants électriques sous haute tension ou à d'autres risques. Toute réparation doit être effectuée par un personnel qualifié. <b>Conformité</b> Ce produit est conforme aux Directives du Conseil suivantes: Directive 89/336/CEE (CEM), 92/31/CEE (CEM), 73/23/CEE (LVD)	<b>Instrucciones importantes sobre seguridad</b> <b>Lea y siga las instrucciones</b> Debe leer y seguir todas las instrucciones sobre seguridad y funcionamiento. <b>Limpieza</b> Antes de efectuar la limpieza, desenchufe el adaptador de alimentación de la toma o fuente de alimentación. No utilice limpiadores líquidos ni aerosoles. Utilice un paño húmedo. <b>Colocación de los altavoces</b> No sitúe el altavoz en un carrito, estantería, trípode, soporte o mesa inestable. El altavoz se podría caer y provocar graves lesiones a las personas y quedar seriamente dañado. <b>Fuentes de alimentación</b> Este sistema de altavoces está especialmente diseñado para funcionar dentro de las amplitudes eléctricas especificadas en el adaptador de alimentación. El empleo de otras potencias que estén fuera de las mencionadas amplitudes quedará a la entera responsabilidad del usuario. Si tiene dudas con respecto al voltaje que le corresponde utilizar en su lugar de residencia, consulte a la compañía eléctrica local. <b>Reparaciones</b> No intente reparar ninguna parte del altavoz por su cuenta. Si abre o retira las cubiertas, se puede ver expuesto a descargas eléctricas u otros riesgos. Deje las reparaciones en manos del personal de servicio cualificado. <b>Compatibilidad</b> Este producto cumple con la siguiente directiva: Directiva 89/336/EEC (EMC), 92/31/EEC (EMC), 73/23/EEC (LVD)	<b>Instruções importantes sobre segurança</b> <b>Leia e siga as instruções</b> Todas as instruções de segurança e de operação devem ser lidas e seguidas. <b>Limpeza</b> Desconecte o adaptador de fonte de alimentação da tomada elétrica ou fonte de energia antes de limpar. Não use produtos de limpeza líquidos ou em aerosol. Use uma flanela umedeçada para limpar. <b>Posicionamento do sistema de caixas</b> Não coloque o sistema de caixas de som em um carro, estante, tripé, suporte ou mesa instável. As caixas podem cair, machucando pessoas e causando danos graves ao produto. <b>Fontes de Alimentação</b> Este sistema de som foi desenvolvido especificamente para operação dentro da faixa elétrica especificada no adaptador de alimentação fornecido e a utilização fora dessa faixa ficará por sua conta e risco. Entre em contato com sua companhia elétrica se tiver dúvidas com relação à voltagem do local de utilização desejado. <b>Manutenção</b> Não tente você mesmo fazer manutenção em qualquer parte das caixas de som; a abertura ou remoção das tampas pode expô-lo a voltagens perigosas e outros riscos. Qualquer manutenção deve ser feita por pessoal qualificado. <b>Conformidade</b> Este produto está em conformidade com a seguinte diretiva de conselho: Diretiva 89/336/EEC (EMC), 92/31/EEC (EMC), 73/23/EEC (LVD)	<b>Önemli emniyet talimatları</b> <b>Talimatları okuyun ve takip edin</b> Tüm emniyet ve işletim talimatlarının okunması ve takip edilmesi gerekir. <b>Temizleme</b> Temizleme işleminden önce gerilim besleme adaptörünü duvardaki güç kaynağı prizinden çıkarın. Sıvı temizleyici ya da aerosol temizleyici kullanmayın. Temizlik için nemli bir bez kullanın. <b>Yerleştirme</b> Hoparlör sistemini sabit olmayan bir sürgü, stand, tripod, destek ya da masa üzerine yerleştirmeyin. Bu durumda hoparlörün düşebilir ve yaralanmaya sebep olup ürün ciddi biçimde hasar görebilir. <b>Güç kaynağı</b> Bu hoparlör sistemi, ürün ile birlikte sevk edilen adaptörün üzerinde yazan voltaj aralığında / aralıklarında çalıştırılmak üzere özel olarak tasarlanmıştır; bu aralık dışında yapılacak işletimin riskini siz üstlenirsiniz. Çihazı kullanacağınız yerdeki elektrik voltajı hakkında sorunuz olmasa durumunda, lütfen yerel elektrik idarenize başvurun. <b>Servis hizmeti</b> Lütfen cihazın hiçbir parçasını kendi başınıza onarmaya kalkışmayın, aksi halde kapakların çıkarılması sizi tehlikeli elektrik akımları ya da diğer tehlikeler ile karşı karşıya bırakabilir. Tüm servis hizmetlerini, yetkili servis personeline bırakın. <b>Sıkayettler</b> Bu ürün aşığıdıkları danışma kurulu yönergesine uygunluk gösterir: 93/96/EEC (EMC), 92/31/EEC (EMC), 73/23/EEC (LVD)	<b>重要的安全說明</b> <b>閱讀並按照說明操作</b> 所有的安全與操作說明都應該通讀並按照說明操作。 <b>清潔</b> 清潔之前，從牆壁插座或其他電源上拔下變壓器的插頭。請勿使用液體或氣霧劑之類的清潔劑。使用濕布清洗。 <b>放置</b> 請勿將喇叭系統放在不穩定的車上、掛物架上、三腳架上、拖架上或者餐桌上。 這樣會使喇叭掉下來，對人造成傷害，同時也使產品受到損害。 <b>電源</b> 本喇叭須在隨產品附贈的電源供應器上指定的電壓範圍內使用，否則將對您構成危險。 如果您對於當地的電壓狀況有疑問，請諮詢當地電力部門。 <b>維修</b> 不要擅自維修喇叭的任何元件，打開或移開外殼容易導致觸電及其它危險。所有的維修應該交給維修部門處理。 <b>依從標準</b> 本產品依從下列標準：Directive 89/336/EEC (EMC), 92/31/EEC (EMC), 73/23/EEC (LVD) <b>規格</b> Creative Inspire 5.1 5200 6 聲道真功率放大 衛星喇叭： 每聲道 6 瓦輸出功率 重低音音箱： 17 瓦輸出功率 本規格只適用於 Creative Inspire 5.1 5200 由附帶的 12 伏交 4.2 安培交流電源供應器提供電力的工作狀態。	<b>安全に関する重要な説明</b> <b>操作説明の遵守</b> 安全に関する説明と操作説明を十分に読み遵守して下さい。 <b>清掃</b> 清掃前には、AC アダプターをサブウーファーから外して下さい。液体洗剤やエアロソル洗剤は使用しないで下さい。清掃には、柔らかい布をご使用下さい。 <b>設置場所</b> このスピーカーを不安定なカート、スタンド、三脚、ブラケット、又は、テーブルに設置しないで下さい。スピーカーを落とすと、子供や大人が重傷を負ったり、製品が破損する恐れがあります。 <b>電源</b> このスピーカーは、付属の AC アダプターで動作するように設計されています。付属している AC アダプター以外の AC アダプターは使用しないで下さい。 <b>修理</b> 高電圧部や他の危険な箇所が露出して感電をおこす危険性がある為、カバーを開けたり取り外したりしてスピーカーをご自身で修理することは避けて下さい。修理は、弊社カスタマーサービス係りにお問い合わせ下さい。 <b>準拠</b> 本製品は以下の審議会指示に準拠しています。DIRECTIVE 89/336/EEC (EMC), 92/31/EEC (EMC), 73/23/EEC (LVD) <b>仕様</b> Creative Inspire 5.1 5200 6 チャンネルアンプリアライヤー サテライトスピーカー： 6 watts RMS/ チャンネル サブウーファー： 17 watts RMS これらの仕様は、付属の 12V AC 4.2A 電源アダプターで動作させた場合です。	<b>重要安全说明</b> 阅读并遵守此说明 必需阅读并遵守所有的安全及操作说明。 <b>清洁</b> 进行清洁之前，先从墙体插座或其它电源上拔下电源插头。不要使用液体清洁剂或喷雾剂。请使用湿布进行清洁。 <b>摆放</b> 请勿将本音箱系统放在不稳定的车上、挂物架上、三脚架上、拖架上、或者桌子上。 这样做可能会使音箱掉下来，伤害周围的人，同时也会使产品受到严重损害。 <b>电源</b> 本产品须在随产品附带的变压器上指定的电压范围内使用，否则将对您构成危险。 如果您对于本地的电压状况有任何疑问，请咨询当地电力部门。 <b>维修</b> 不要擅自维修音箱的任何部分，打开或移开外壳可能会触电或导致其它危险。所有的维修应交由专业维修人员处理。 <b>合格</b> 本产品符合下列委员会指令：Directive 89/336/EEC (EMC), 92/31/EEC (EMC), 73/23/EEC (LVD) <b>规格</b> Creative Inspire 5.1 5200 6 声道有源 音箱系统： 额定功率 6 瓦 (每声道) 低音炮： 额定功率 17 瓦 本规格只适用于 Creative Inspire 5.1 5200 由附带的 12V 交流 4.2A 变压器提供电力的工作状态。

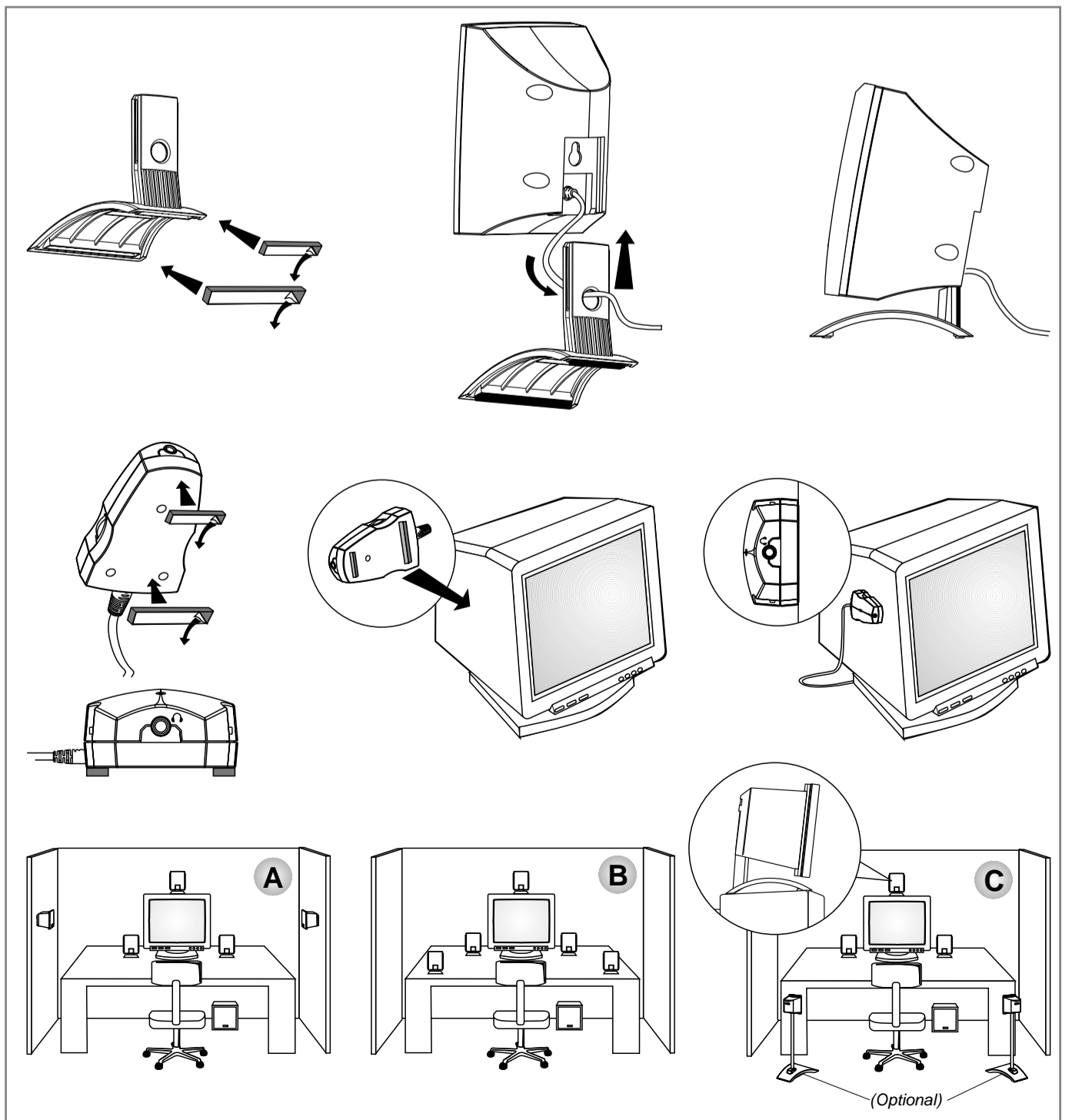
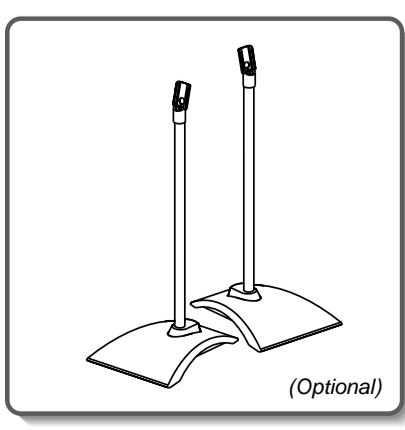
- **Connectivity Diagram**
- **Schéma de connexion**
- **Diagrama de conectividad**
- **Diagrama de conectividade**

- **Bağlantı diyagramı**
- **連接示意圖**
- **接続図**
- **连接示意图**



English	Français	Español	Português do Brasil	Türkçe	繁體中文	日本語	简体中文
<b>1 Front Right Satellite</b>	<b>Satellite avant droit</b>	<b>Satélite frontal derecho</b>	<b>Alto-falante Dianteiro Direito</b>	<b>Ön sağ Satellite</b>	<b>前左聲道喇叭</b>	<b>右フロントスピーカー</b>	<b>左前置卫星音箱</b>
<b>2 Front Left Satellite</b>	<b>Satellite avant gauche</b>	<b>Satélite frontal izquierdo</b>	<b>Alto-falante Dianteiro Esquerdo</b>	<b>Ön sol Satellite</b>	<b>前右聲道喇叭</b>	<b>左フロントスピーカー</b>	<b>右前置卫星音箱</b>
<b>3 Centre Satellite</b>	<b>Satellite central</b>	<b>Auxiliar central</b>	<b>Alto-falante Central</b>	<b>Merkez Satellite</b>	<b>中央聲道喇叭</b>	<b>センタースピーカー</b>	<b>中置音箱</b>
<b>4 Rear Right Satellite</b>	<b>Satellite arrière droit</b>	<b>Satélite posterior derecho</b>	<b>Alto-falante Traseiro Direito</b>	<b>Arka sağ Satellite</b>	<b>後左衛星喇叭</b>	<b>右リアスピーカー</b>	<b>后左环绕音箱</b>
<b>5 Rear Left Satellite</b>	<b>Satellite arrière gauche</b>	<b>Satélite posterior izquierdo</b>	<b>Alto-falante Traseiro Esquerdo</b>	<b>Arka sol Satellite</b>	<b>後右衛星喇叭</b>	<b>左リアスピーカー</b>	<b>后右环绕音箱</b>
<b>6 To Wall Outlet</b> (Disconnect when not in use for several days)	<b>Vers la prise murale</b> (Déconnectez le système si vous n'avez pas l'intention de l'utiliser pendant plusieurs jours)	<b>A la toma de corriente</b> (desconéctelo cuando no se vaya a utilizar durante varios días)	<b>Para Tomada Eléctrica</b> (Desconectar quando não estiver em uso por vários dias)	<b>Duvar çıkışı</b> (Birkaç gün kullanılmayacak ise bağlantıyı kesin)	<b>至牆壁插座</b> (長時間不用時請拔下電源插頭)	<b>AC コンセントへ接続</b> (数日間使用しない時はコンセントを抜いて下さい)	<b>至牆壁插座</b> (長時間不用請拔下電源插頭)
<b>7 Power Supply Adapter</b> (Types of adaptor may vary in different countries)	<b>Adaptateur d'alimentation</b> (le modèle peut varier selon le pays)	<b>Adaptador de alimentación</b> (los tipos de adaptadores pueden variar según el país)	<b>Adaptador de Fonte de Alimentação</b> (Os tipos de adaptador podem variar em diferentes países)	<b>Güç kaynağı adaptörü</b> (Adaptör tipinin ülkelere göre farklılık göstermesi mümkündür)	<b>變壓器</b> (不同國家・變壓器類型可能不同)	<b>AC アダプター</b> (付属の AC アダプター以外は使用しないで下さい)	<b>變壓器</b> (不同國家・變壓器類型可能不同)
<b>8 Volume Control Unit With 3.5mm Headphone Jack</b> (To control master volume and bass level)	<b>Bouton du volume avec prise casque 3,5 mm</b> (pour contrôler le volume principal et les basses)	<b>Unidad de control de volumen con 3,5 mm de enchufe de los auriculares</b> (para controlar el volumen maestro y el nivel de graves)	<b>Unidade de controle de volume com tomada de fone de ouvido de 3,5 mm</b> (Para controlar o volume mestre e o nível de grave)	<b>3.5mm Kulaklık Girişli Ses Yüksekliği Kontrol Birimi</b> (Ana ses yüksekliğini ve bas düzeyini kontrol etmek için)	<b>帶有 3.5mm 耳機插孔的音量控制單元</b> (控制主音量和低音級數)	<b>ヘッドフォンジャック付きボリュームコントローラー</b> (マスターボリューム、及びバスレベル)	<b>音量控制，采用 3.5mm 耳机插孔</b> (控制主音量和低音級別)
<b>9 Triple Stereo Line In Audio Cable</b>	<b>Câble d'entrée audio triple stéréo</b>	<b>Cable de audio triple de entrada al estéreo</b>	<b>Cabo triplo de áudio estéreo</b>	<b>Üçlü Stereo Line In Audio Kablosu</b>	<b>三組立體聲傳音源線</b>	<b>3 連ステレオミニプラグオーディオケーブル</b>	<b>三相立体声线性输入音箱线</b>
<b>10 Subwoofer</b>	<b>Caisson de basses</b>	<b>Subgrave</b>	<b>Subgrave</b>	<b>Subwoofer</b>	<b>重低音音箱</b>	<b>サブウーファー</b>	<b>低音炮</b>

- (Optional) Rear satellite floor stands are sold separately. For more information, please refer to <http://www.creative.com>
- (Facultatif) Des socles pour haut-parleurs satellites arrières sont disponibles séparément. Pour plus d'informations, visitez notre site Web à l'adresse <http://www.creative.com>
- (Opcional) Puede adquirir por separado soportes para los altavoces traseros. Para más información, visite nuestro sitio en <http://www.creative.com>
- (Opcional) Os suportes de chão para as caixas acústicas satélites posteriores são vendidos separadamente. Para maiores informações, consulte <http://www.creative.com>
- (Seçenek dahilinde) Arka satellite hoparlör ayakları ayrı olarak satılmaktadır. Daha fazla bilgi için lütfen <http://www.creative.com> adresini ziyaret edin
- (選購品) 衛星喇叭的專用腳架需另行購買。詳情請訪問 <http://www.creative.com>
- リアスピーカー用フロアスタンドはオプション(別売り)です。詳細は弊社ホームページ<http://www.creative.com>をご覧ください。
- (选购件) 后置音箱落地支架单独出售。详情请访问 <http://www.creative.com>



## Free Manuals Download Website

<http://myh66.com>

<http://usermanuals.us>

<http://www.somanuals.com>

<http://www.4manuals.cc>

<http://www.manual-lib.com>

<http://www.404manual.com>

<http://www.luxmanual.com>

<http://aubethermostatmanual.com>

Golf course search by state

<http://golfingnear.com>

Email search by domain

<http://emailbydomain.com>

Auto manuals search

<http://auto.somanuals.com>

TV manuals search

<http://tv.somanuals.com>