



# Assembly and Instruction Manual



**Portable Outdoor Fireplace/Grill**  
**model 5065-700**



***FOLLOW INSTRUCTIONS AND WARNINGS TO AVOID FIRE, SERIOUS INJURY OR DEATH.***

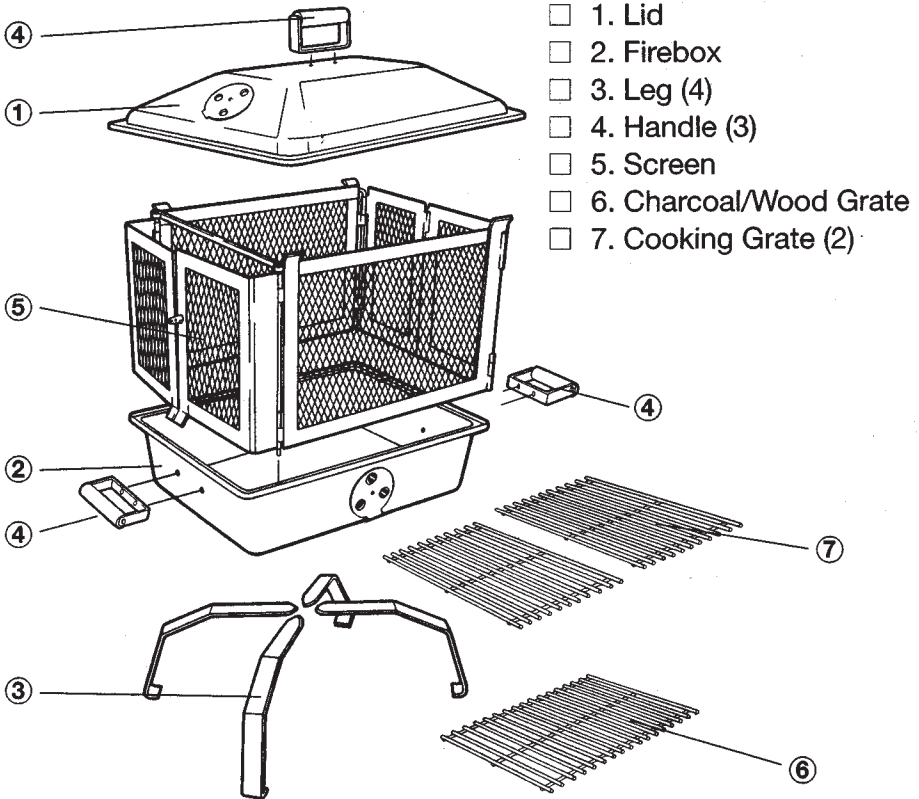
**⚠ WARNING**

- Outdoor use only. Never use in enclosed area. Use in unventilated areas will endanger your life.
- Keep away from all combustible materials including gasoline and other flammable liquids and vapors.
- Use on a level, noncombustible surface only. Keep away from house, garage, balconies or eave overhangs.
- Keep out of reach of children.
- Be sure screen is in place while using as fireplace and do not use in windy conditions.
- Do not overfill firebox nor use to burn leaves or trash.
- Exercise same care you would with an open fire.
- Never leave unit unattended when hot or in use.
- Completely extinguish fire before leaving.
- Use gloves when handling or moving. Ashes can remain warm for a long time after extinguishing.
- Dispose of cold ashes properly.
- Do not modify in any way nor use with parts not expressly approved by Coleman.

***Contact local authorities regarding possible burn restrictions before using product.***

# Parts Check List

- Check package for all parts needed for assembly.



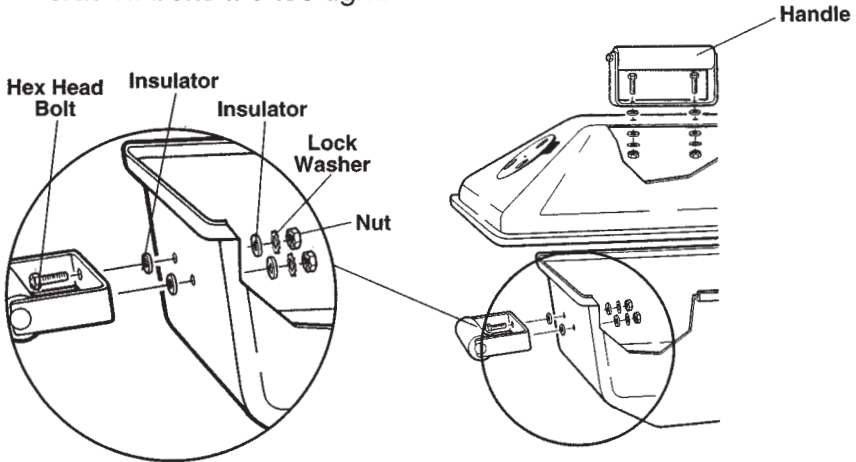
## Nuts, Bolts and Washers:

- Hex Head Bolt 1/4 (6)
- Insulator Washer (12)
- Lock Washer 1/4 (6)
- Nut 1/4 (6)

- Check all items for shipping damage. Call Coleman at 1-800-835-3278 or TDD: 316-832-8707 if you have any problems.

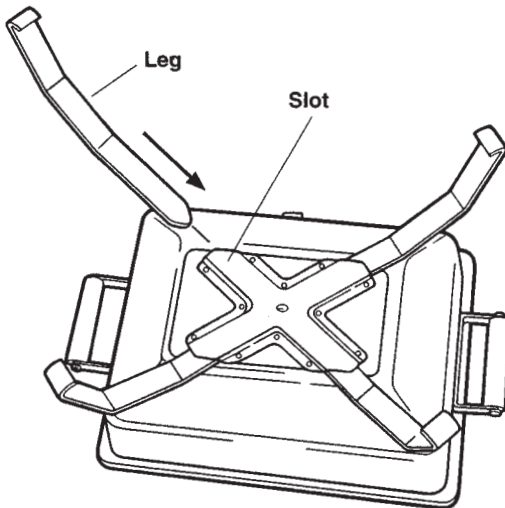
# Assembly

1. Carefully unpack all parts from shipping box.
2. Assemble handles to lid and firebox as shown in **Figure 1**. Be careful not to overtighten bolts. Porcelain surfaces can crack if bolts are too tight.



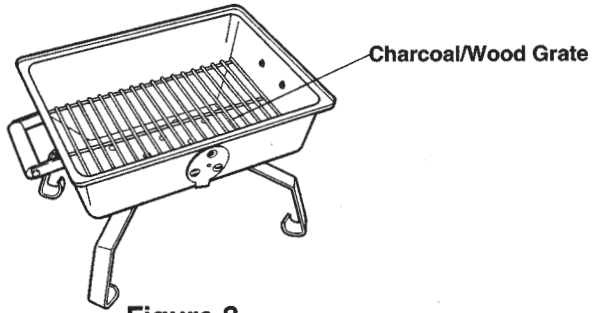
**Figure 1**

3. Insert the four legs into the slots as shown in **Figure 2**. Check that all four legs are fully inserted into slot.



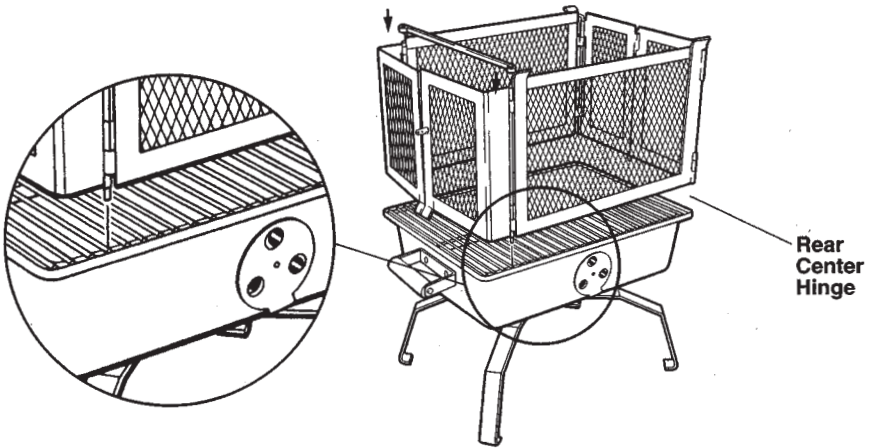
**Figure 2**

4. Place charcoal/wood grate in firebox. **(Figure 3).**



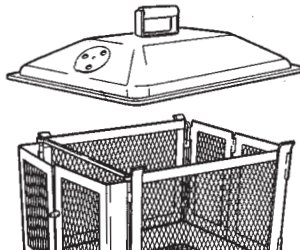
**Figure 3**

5. Unfold screen and place onto firebox, fitting front door hinge pins and rear center hinge pin through holes. **(Figure 4).** Slide bracket over pins as shown.



**Figure 4**

6. Place lid on top of screen. **(Figure 5).**



**Figure 5**

7. When grilling, place both cooking grates on firebox with screen removed. **(Figure 6)**. Place lid over firebox to contain heat and smoke. Heat can be regulated by adjusting vents in lid and firebox. Fully open vents offer maximum heat.

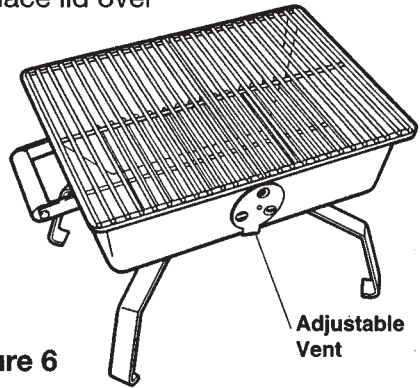


Figure 6

## Set Up and Use

---

### **⚠ WARNING**

*Never leave unit unattended when hot or in use. Keep out of reach of children. Outdoor use only. Never use in enclosed area. Use in unventilated areas will endanger your life.*

1. Place unit on a level, noncombustible surface. Keep well away from house, garage, balconies or eave overhangs.
2. Place 1 to 2 inches of sand in bottom of firebox.
3. Place wood into firebox carefully.
4. Install screen.
5. Ignite wood.
6. Install lid.

### **⚠ WARNING**

*To avoid serious burns, use heavy gloves when opening doors to add wood to existing fire.*

## After Use

---

1. Completely extinguish fire before leaving.

### **⚠ WARNING**

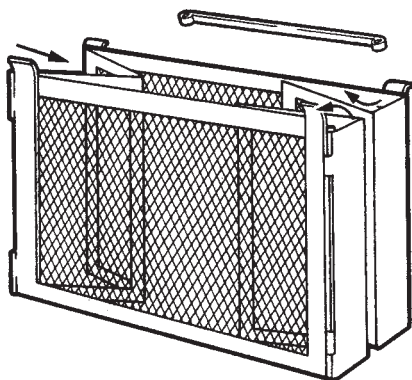
*To avoid burns — use heavy gloves to remove screen.*

2. Extinguish fire by removing screen and placing lid over firebox.
3. Close vents on firebox and lid.
4. Do not use water to douse the fire as this may crack the porcelain finish.

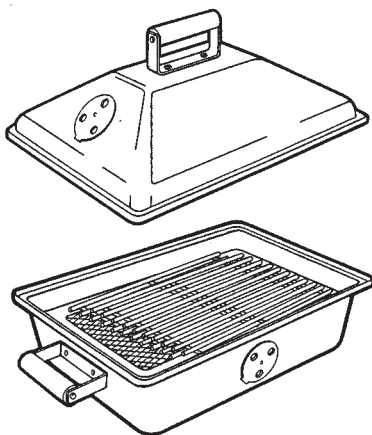
# Fireplace/Grill Storage & Transport Instructions

---

1. Once cooled ashes have been properly disposed of, unit is ready for collapsing to storage mode.
2. Remove lid, screen and cooking grates from firebox.
3. Remove bracket and fold screen into compact shape as shown in **Figure 7** and lay inside firebox. Place cooking grates on top of screen as shown in **Figure 8**.

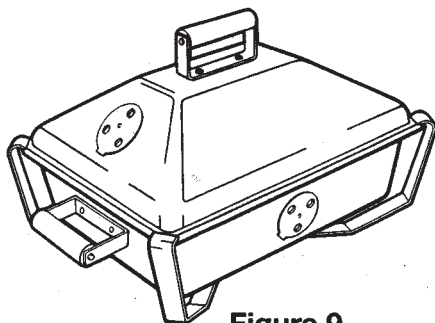


**Figure 7**



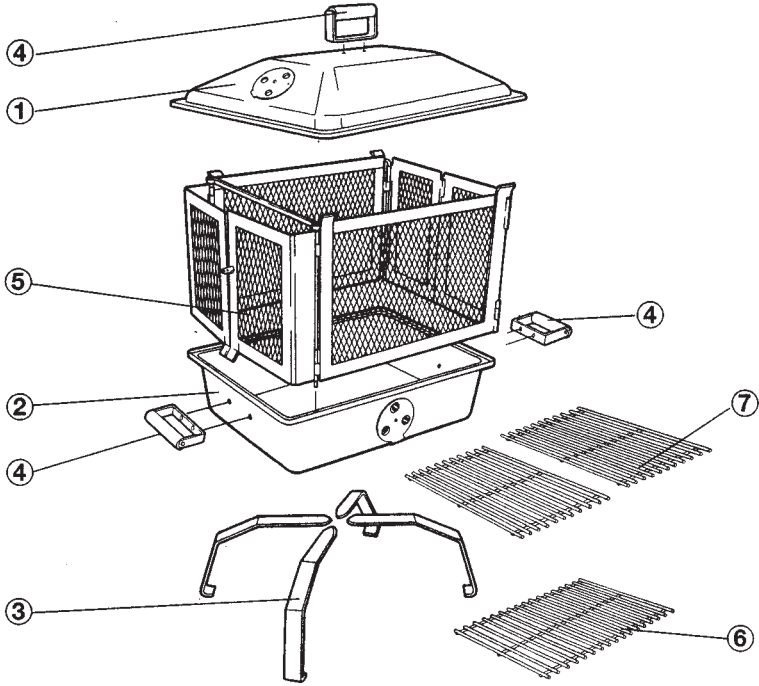
**Figure 8**

4. Place lid on top of firebox.
5. With legs upside down (**Figure 9**), insert into slots and gently push legs over lid to firmly contain entire fireplace/grill. Unit is now ready for transport and storage.



**Figure 9**

# Replacement Parts



I.D. NO.	PART NO.	DESCRIPTION	I.D. NO.	PART NO.	DESCRIPTION
1	5065-2341	Lid	5	5065-2421	Screen
2	5065-1011	Firebox	6	5065-3151	Charcoal/Wood Grate
3	5065-1101	Legs (4)	7	5065-3181	Cooking Grate (2)
4	5065-4121	Handle with Bolts & Nuts			

**Coleman means**  
**QUALITY**  
 Always has. Always will.

The Coleman Co., Inc.  
 3600 N. Hydraulic  
 Wichita, KS 67219 U.S.A.  
 1-800-835-3278  
 TDD: 316-832-8707



## Free Manuals Download Website

<http://myh66.com>

<http://usermanuals.us>

<http://www.somanuals.com>

<http://www.4manuals.cc>

<http://www.manual-lib.com>

<http://www.404manual.com>

<http://www.luxmanual.com>

<http://aubethermostatmanual.com>

Golf course search by state

<http://golfingnear.com>

Email search by domain

<http://emailbydomain.com>

Auto manuals search

<http://auto.somanuals.com>

TV manuals search

<http://tv.somanuals.com>