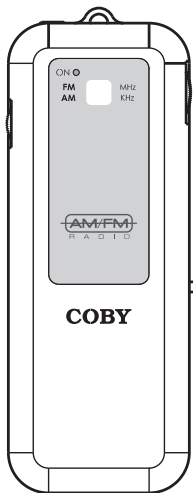


Operation Instructions

AM/FM RADIO



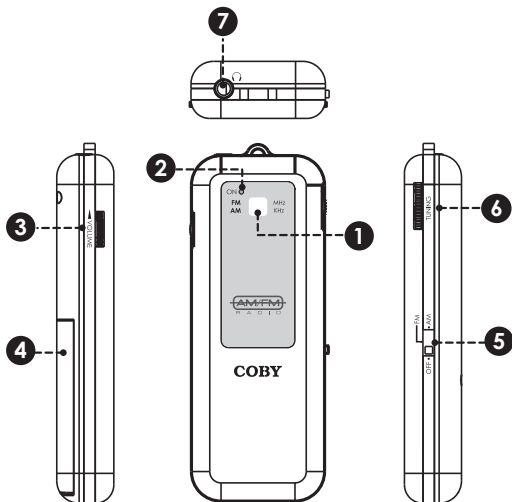
PRECAUTIONS

1. Read these instructions carefully.
2. Keep these instructions for future reference.
3. Heed all warnings.
4. Follow all instructions.
5. Do not expose to water or moisture.
6. Clean only with a dry cloth.
7. Keep objects away from ventilation openings. Do not block any ventilation openings at any time.
8. Do not install near any heat sources such as stoves, radiators, amplifiers or any apparatus that produce heat.
9. Do not force the power plug in the wall outlet. A polarized plug has two blades with one wider than the other. The wide blade is provided for your safety. If the provided plug does not fit into your outlet, consult an electrician for replacement of the obsolete outlet.
10. Place the power cord so that it is protected from being walked on, pinched by objects, torn and exposed to liquids, especially at plugs, convenience receptacles, and the point where they exit from the product.
11. Only use attachments/accessories specified by the manufacturer. Use of attachments/accessories not recommended by the product manufacturer may cause hazards.
12. Use only with a cart, stand, tripod, bracket, or table specified by the manufacturer, or sold with the apparatus. When a cart is used, use caution when moving the cart/apparatus combination to avoid injury from tip-over.
13. Unplug the apparatus during lightning storms or when unused for long periods of time.
14. If the set will not be used for a long time, remove all the batteries to prevent potential damage due to possible battery leakage.
15. There is a strong magnet inside the radio. Keep credit cards, recorded tapes, watches, etc. away from the radio, especially the speaker.
16. Do not drop the radio or subject it to strong impacts.
17. Do not use this apparatus near water, and no objects filled with liquids, such as vases, shall be placed on the apparatus.
18. Refer all servicing to authorized service personnel.

WARNING: Handling the cords on this product will expose you to lead, a chemical known to the State of California to cause cancer, and birth defects or other reproductive harm. ***Wash hands after handling.***

For recycling or disposal information about this product, please contact your local authorities or the Electronics Industries Alliance: www.eiae.org

Location of Controls / Name of Parts



1. Tuning Display

5. Tuning Dial

2. Power Indicator

6. Power / Band Switch

3. Volume Dial

7. Earphone Jack

4. Battery Door

INSTALLING BATTERIES

The CX-70 requires 2 x "AAA" batteries for operation.

1. To open the battery compartment cover, push it out in the direction of the arrow as marked on the cover.
2. Insert 2 "AAA" size (UM-4) batteries into the battery compartment, making sure that the batteries are installed with the proper alignment of polarities ("+" and "-").
3. Replace the battery compartment cover.

Warning:

- Load new batteries with their polarities ("+" and "-") aligned correctly.
- Do not heat the batteries or an internal short-circuit may occur.
- If the radio will not be used for a long time, remove all of the batteries, and store them in a cool and dry place.
- Remove dead batteries immediately and properly dispose of them.
- Do not use old and new or different types of batteries (e.g., alkaline and manganese) together.

BATTERY LIFE

If the sound becomes low or distorted, replace all of the batteries with new ones.

USING EARPHONES

Set the volume to a low level before connecting the earphones to the earphone jack. Gradually adjust the volume to a comfortable listening level.

Do not set the volume too high for extended periods of time to avoid damage to your hearing.



RADIO OPERATION

1. To turn the radio on, set the Power/Band Switch to the FM or AM position.
2. Select the radio band by setting the Power/Band Switch.
3. To tune to a radio station, turn the Tuning Dial. The Tuning Display indicates the current station.
4. To adjust the volume, turn the Volume Dial.
5. To turn the radio off, set the Power/Band Switch to the OFF position.

SUPPORT

If you need assistance with this product, please contact technical support.

COBY Electronics Technical Support

56-65 Rust Street
Maspeth, NY 11378

Email: techsupport@cobyusa.com

Web: www.cobyusa.com

Phone: 800-727-3592 (8:00 AM–11:00 PM EST, seven days a week)
800-681-2629 (8:00 AM–5:30 PM EST, Monday to Friday)
718-416-3197 (8:00 AM–5:30 PM EST, Monday to Friday)

SPECIFICATIONS

Power Source:	DC 3V (2 x “AAA” 1.5V batteries)	
Frequency Range:	AM	520 – 1720 kHz
	FM	87.5 – 108.5 MHz
Audio Output (Max):	15mW + 15mW (32Ω)	
Unit Dimensions:	36.2mm x 93.6mm x 15.5mm (WHD) (main unit only)	
Accessories Included:	Professional Earphones	

Design and specifications are subject to change without notice.

Free Manuals Download Website

<http://myh66.com>

<http://usermanuals.us>

<http://www.somanuals.com>

<http://www.4manuals.cc>

<http://www.manual-lib.com>

<http://www.404manual.com>

<http://www.luxmanual.com>

<http://aubethermostatmanual.com>

Golf course search by state

<http://golfingnear.com>

Email search by domain

<http://emailbydomain.com>

Auto manuals search

<http://auto.somanuals.com>

TV manuals search

<http://tv.somanuals.com>