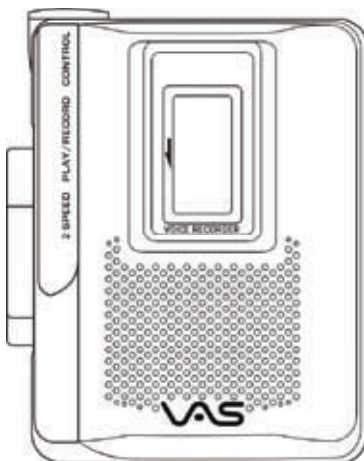


COBY®

CX-R60



Voice-Activated Cassette Recorder with Integrated Speaker



INSTRUCTION MANUAL

Please read this manual carefully before operation.

PRECAUTIONS

	CAUTION WARNING: SHOCK HAZARD, DO NOT OPEN. AVIS: RISQUE DE CHOC ELECTRIQUE. NE PAS OUVRIR	
CAUTION: TO REDUCE THE RISK OF FIRE AND ELECTRIC SHOCK, DO NOT REMOVE THE COVER (OR BACK) OF THE UNIT. REFER SERVICING ONLY TO QUALIFIED SERVICE PERSONNEL.		



The lightning flash with arrowhead symbol within an equilateral triangle is intended to alert the user to the presence of uninsulated "dangerous voltage" within the product's enclosure that may be of sufficient magnitude to constitute a risk of electric shock.



The exclamation point within an equilateral triangle is intended to alert the user to the presence of important operation and servicing instructions in the literature accompanying the appliance.

For Customer Use:

Enter below the serial number that is located on the unit. Retain this information for future reference.

Model No. _____ CX-R60 _____

Serial No. _____

WARNING:

To prevent fire or shock hazard, do not expose this device to rain or moisture. Dangerous high voltage is present inside the enclosure. Do not open the cabinet.

CAUTION:

To prevent electric shock, match wide blade of plug to wide slot of outlet and fully insert.

PROTECT YOUR HEARING:

Hearing experts advise against the constant use of personal stereos played at high volume. Constant exposure to high volumes can lead to hearing loss. If you should experience ringing in the ears or hearing loss, discontinue use and seek medical advice.

Specifications and manual are subject to change without prior notice.



For recycling or disposal information about this product, please contact your local authorities or the Electronics Industries Alliance: www.eiae.org.

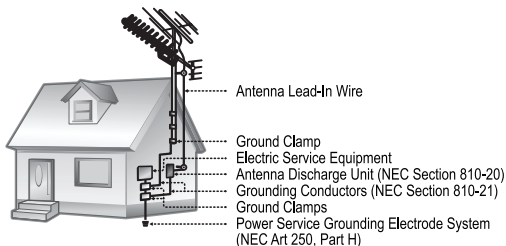
IMPORTANT SAFETY INSTRUCTIONS

- 1. Read Instructions:** All the safety and operating instructions should be read before the product is operated.
- 2. Retain Instructions:** The safety and operating instructions should be retained for future reference.
- 3. Heed Warnings:** All warnings on the product and in the operating instructions should be adhered to.
- 4. Follow Instructions:** All operating and usage instructions should be followed.
- 5. Cleaning:** Unplug this product from the wall outlet before cleaning. Do not use liquid cleaners or aerosol cleaners. Use a damp cloth for cleaning.
- 6. Attachments:** Use only attachments recommended by the manufacturer. Use of other attachments may be hazardous.
- 7. Water and Moisture:** Do not use this product near water (e.g., near a bath tub, washbowl, kitchen sink, laundry tub, in wet basements, or near a swimming pool and the like).
- 8. Accessories:** Do not place this product on an unstable cart, stand, tripod, bracket, or table. Use only with carts, stands, tripods, brackets, or tables recommended by the manufacturer or sold with the product. Any mounting of the product should follow the manufacturer's instructions and should use a mounting accessory recommended by the manufacturer.
- 9.** A product and cart combination should be moved with care. Quick stops, excessive force, and uneven surfaces may cause the product and cart combination to overturn.
- 10. Ventilation:** Slots and openings in the cabinet are provided for ventilation to ensure reliable operation of the product and to protect it from overheating. These openings should never be blocked by placing the product on a bed, sofa, rug, or other similar surface. This product should not be placed in a built-in installation such as a bookcase or rack unless proper ventilation is provided or the manufacturer instructions have been adhered to.
- 11. Power Sources:** This product should be operated only from the type of power source indicated on the rating label. If you are not sure of the type of power supply to your home, consult your product dealer or local power company. For products intended to operate from battery power or other sources, refer to the operating instructions.
- 12. Grounding or Polarization:** This product may be equipped with a polarized alternating-current line plug that has one blade wider than the other. This plug will only fit into the power outlet in one direction. This is a safety feature. If you are unable to insert the plug fully into the outlet, try reversing the direction of the plug. If the plug should still fail to fit, contact an electrician to replace the obsolete outlet. Do not defeat the safety purpose of the polarized plug.



IMPORTANT SAFETY INSTRUCTIONS

13. **Power-Cord Protection:** Power supply cords should be routed so that they are not likely to be walked on or pinched by items placed upon or against them, paying particular attention to cords at plugs, convenience receptacles, and at the point which they exit from the product.
14. **Protective Attachment Plug:** The product may be equipped with an attachment plug with overload protection. This is a safety feature. See the operating instructions for replacement or directions to reset the protective device. If replacement of the plug is required, be sure the service technician has used a replacement plug that has the same overload protection as the original plug as specified by the manufacturer.
15. **Outdoor Antenna Grounding:** If an outside antenna is connected to the product, be sure the antenna system is grounded so as to provide some protection against voltage surges and built-up static charges. Article 810 of the National Electrical Code, ANS/NFPA 70 provides information with regard to proper grounding of the mast and supporting structure, grounding of the lead-in wire to an antenna-discharge unit, size of grounding conductors, location of antenna-discharge unit, connection to grounding electrodes, and requirements for the grounding electrode (see figure).



16. **Lightning:** For added protection for this product, unplug it from the wall outlet and disconnect the antenna or cable system during a lightning storm or when it is left unattended and unused for long periods of time. This will prevent damage to the product due to lightning or power-line surges.
17. **Power Lines:** An outside antenna system should not be located in the vicinity of overhead power lines or other electric light or power circuits, or where it can fall into such power lines or circuits. When installing an outside antenna system, extreme care should be taken to keep from touching such power lines or circuits, as contact with them might be fatal.
18. **Overloading:** Do not overload wall outlets, extension cords, or integral convenience receptacles as this can result in a risk of fire or electric shock.

IMPORTANT SAFETY INSTRUCTIONS

19. **Object and Liquid Entry:** Never push objects of any kind into this product through openings as they may touch dangerous voltage points or short-out parts that could result in a fire or electric shock. Never spill liquid of any kind on the product.
20. **Servicing:** Do not attempt to service this product yourself as opening or removing covers may expose you to dangerous voltage or other hazards. Refer all servicing to qualified service personnel.
21. **Damage Requiring Service:** Unplug this product from the wall outlet and refer servicing to qualified service personnel under the following conditions:
a) when the power-supply or plug is damaged; b) if liquid has been spilled or if objects have fallen into the product; c) if the product has been exposed to rain or water; d) if the product does not operate normally by following the operating instructions. Adjust only those controls that are covered by the operating instructions as improper adjustment of other controls may result in damage and will often require extensive work by a qualified technician to restore the product to its normal operation; e) if the product has been dropped or damaged in any way; f) when the product exhibits a distinct change in performance—this indicates a need for service.
22. **Replacement Parts:** When replacement parts are required, be sure that your service technician has used replacement parts specified by the manufacturer or have the same characteristics as the original part. Unauthorized substitutions may result in fire, electric shock, or other hazards.
23. **Safety Check:** Upon completion of any service or repairs to this product, ask the service technician to perform safety checks to ensure that the product is in proper operating condition.
24. **Wall or Ceiling Mounting:** The product should be mounted to a wall or ceiling only as recommended by the manufacturer.
25. **Heat:** The product should be situated away from heat sources such as radiators, heat registers, stoves, or other products (including amplifiers) that produce heat.

TABLE OF CONTENTS

PRECAUTIONS	2
IMPORTANT SAFETY INSTRUCTIONS	3
TABLE OF CONTENTS	6
FEATURES	7
GETTING STARTED	8
CX-R60 at a Glance	8
Front View	8
Rear View.....	9
Connecting Power	10
Loading Batteries.....	10
AC Adapter (Optional).....	10
Connecting an External Microphone (Optional).....	10
Connecting Headphones (Optional)	11
OPERATION	12
Making a Recording.....	12
Setting the Record Sensitivity.....	12
Setting the Record Speed	13
Setting Voice Activated System Recording (VOX).....	13
Playing a Recording	14
Erasing a Recording	14
SUPPORT	15




FEATURES

- + Voice Activated Recording System
- + Integrated Omni-Directional Microphone
- + High-Output Speaker
- + LED Recording Indicator
- + Headphone Jack for Private Listening
- + Microphone Jack for Optional External Microphones
- + Requires 2 x "AA" Batteries (not included)

GETTING STARTED

CX-R60 at a Glance

Front View

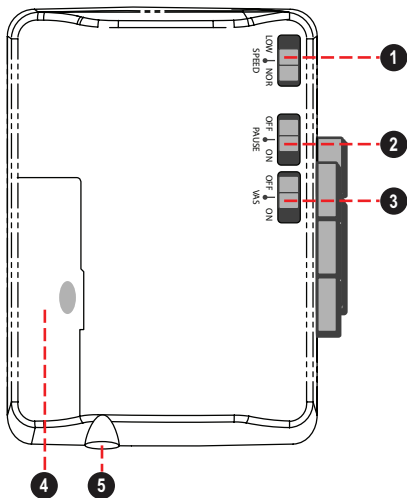
- | | | |
|-----------------------------|-------------------------------|---|
| 1. Integrated Microphone | 8. Stop |  |
| 2. Record Indicator | 9. Record |  |
| 3. Headphone Out | 10. Play |  |
| 4. Microphone In (External) | 11. Cassette Compartment Door | |
| 5. Volume Dial | 12. Cassette Door Window | |
| 6. Rewind | 13. Integrated Speaker | |
| 7. Fast Forward | | |



GETTING STARTED

Rear View

1. **Speed Switch**
LOW, NOR (Normal)
2. **Pause Switch**
OFF, ON
3. **Voice Activated System (VAS) Switch**
OFF, ON
4. Battery Compartment Door
5. Power In (DC 3V)



GETTING STARTED

Connecting Power

The CX-R60 operates on DC 3V power (2 x “AA” batteries).

Loading Batteries

1. Open the Battery Compartment Door.
2. Insert 2 x “AA” batteries, taking care to match the “+” and “-” polar ends of the batteries with the markings inside the compartment.
3. Close the Battery Compartment Door.



Please note that the cover is hinged; do not attempt to remove the cover.

Alkaline-type batteries are recommended.

Remove the batteries from the recorder if it will be unused for more than 30 days.

AC Adapter (Optional)

The CX-R60 may be powered by an AC adapter with DC 3V output through the Power In jack located on the bottom of the recorder.

Connecting an External Microphone (Optional)

The CX-R60 is equipped with both an integrated microphone and a microphone input jack that can be used to connect an external microphone.

- + The MIC In jack will accept microphones with a 3.5mm connector plug.
- + If an external microphone is connected to the MIC In jack, the integrated microphone will be disabled.

GETTING STARTED

Connecting Headphones (Optional)




The CX-R60 is equipped with both an integrated speaker and a headphone output jack that can be used to connect headphones or an external speaker system.

- ✦ The Headphone Out jack will accept headphones or speakers with a 3.5mm connector plug.
- ✦ If headphones or speakers are connected to the Headphone Out jack, the integrated speaker will be disabled.


OPERATION

Making a Recording

A cassette should be loaded in the Cassette Compartment. The side that will be recorded to should face out and be visible through the Cassette Compartment window.

1. Press  and  together to start recording. The Record Indicator be lit during recording.
 - ✧ Speak into the integrated microphone located at the top of the recorder. If you have connected an optional, external microphone to the Microphone In jack located at the top of the recorder, the integrated microphone will be disabled.
 - ✧ Set the PAUSE switch to the "On" position to pause recording. Return the PAUSE switch to the "Off" position to resume recording.
 - ✧ If the VAS (Voice Activated System) switch is set to the "On" position, the recorder will pause recording automatically when no sound is detected.
3. Press  to stop recording.



If a cassette is loaded but the  button is locked, make sure that the record protection tab has not been removed from the top of the cassette tape.

Setting the Record Speed

- + Set the SPEED switch to the "Nor" (normal) position to record at a normal speed. The available recording time will be the same as the rated recording time of a cassette tape.
- + Set the Speed switch to the "Low" position to record at a lower speed. This will double the available recording time of a cassette tape (tapes rated for 90 minutes will be extended to 180 minutes).

OPERATION

Setting Voice Activated System Recording (VOX)

- + Set the VAS switch to the OFF position to record from the microphone continuously when recording.
- + Set the VAS switch to the ON position to record from the microphone only when sound is detected.



The beginning of the recording may be clipped slightly when VAS is active.

The recorder will pause automatically after 2 to 6 seconds of silence. A change in speaking volume will not cause the recorder to pause. Set the Pause switch to the "ON" position to pause recording manually.






A distance of approximately 8 inches should be maintained between the speaker and the integrated microphone at normal speaking levels.

The integrated audio level detector will set the recording sensitivity automatically when VAS is active.

OPERATION

Playing a Recording

A cassette should be loaded in the Cassette Compartment. The side containing the recording should face out and be visible through the Cassette Compartment window.

1. Press  to start playback of the cassette tape.
 - ✧ Press  to spool the tape forward quickly (fast forward). Press  to resume playback.
 - ✧ Press  to spool the tape in reverse quickly (rewind). Press  to resume playback.
 - ✧ Set the PAUSE switch to the "On" position to pause playback. Return the PAUSE switch to the "Off" position to resume playback.
 - ✧ Set the SPEED switch to match the speed at which the recording was made (Low or Normal).
 - ✧ Adjust the VOLUME dial to adjust the volume level.

Erasing a Recording

To erase a recording, record over the section of the cassette tape that contains the recording.

SUPPORT

If you have a problem with this device, please check our website at www.cobyusa.com for Frequently Asked Questions (FAQs) and firmware updates. If these resources do not resolve the problem, please contact Technical Support.

COBY Electronics Technical Support

Address: 56-65 Rust St.
Maspeth, NY 11378

Hours: Monday to Friday, 8:00 AM–11:00 PM EST
Saturday to Sunday, 8:00 AM–11:00 PM EST

Phone: 718-416-3197 or 800-681-2629

Email: techsupport@cobyusa.com

Web: www.cobyusa.com

COBY Electronics Corp.

56-65 Rust Street
Maspeth, NY 11378

www.cobyusa.com
www.ecoby.com

Free Manuals Download Website

<http://myh66.com>

<http://usermanuals.us>

<http://www.somanuals.com>

<http://www.4manuals.cc>

<http://www.manual-lib.com>

<http://www.404manual.com>

<http://www.luxmanual.com>

<http://aubethermostatmanual.com>

Golf course search by state

<http://golfingnear.com>

Email search by domain

<http://emailbydomain.com>

Auto manuals search

<http://auto.somanuals.com>

TV manuals search

<http://tv.somanuals.com>