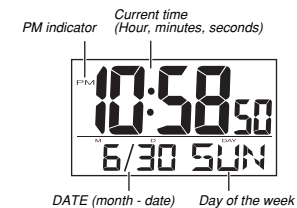
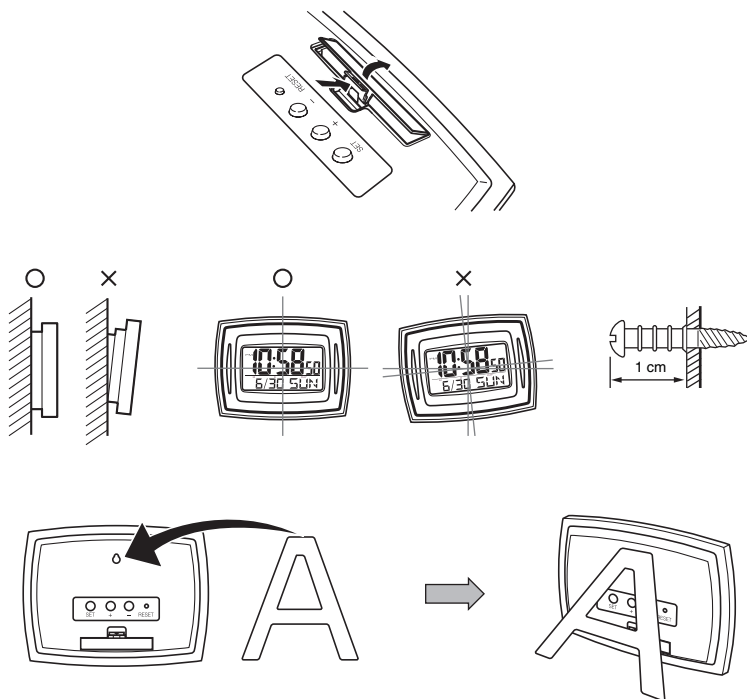


- A sticker is affixed to the display of this clock when you purchase it. Be sure to remove the sticker before using the clock.
- Depending on the clock model, the configuration of your clock may differ somewhat from that shown in the illustration.



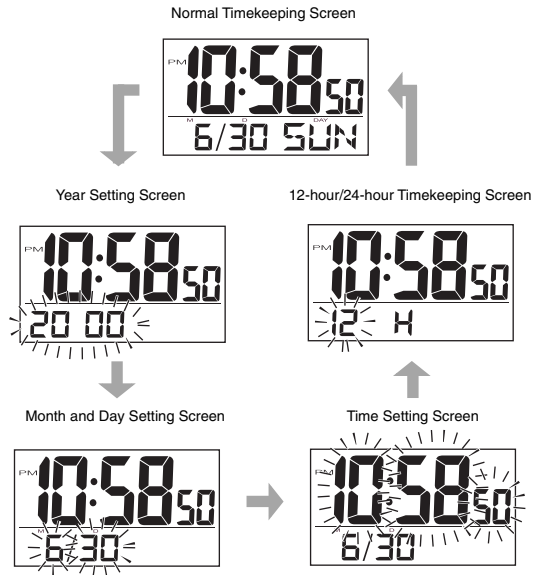
GENERAL GUIDE

- ① **Time Set buttons**
Use these buttons to set the current time.
- ② **SET button**
Use this button when setting the current time.
- ③ **RESET button**
Press to reset the clock after replacing batteries.

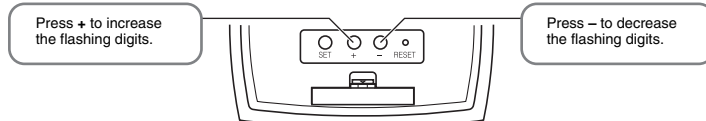


SETTING THE TIME

1. Press the **SET button** (Ⓜ) to cycle through the setting screens as shown below.



2. While the screen you want is on the display, use the **Time Set buttons** (Ⓜ) to change the digits that are flashing.



- Holding down + or - changes the flashing digits at high speed.
 - You can set the year in the range of 2000 to 2039. The day of the week is set automatically in accordance with the date setting.
 - Pressing + or - while the Time Setting Screen is on the display causes the seconds count to be reset to 00.
 - Each press of + or - while the 12-hour/24-hour Timekeeping Screen is on the display toggles between 12-hour and 24-hour timekeeping.
3. After making the settings you want, use the **SET button** (Ⓜ) to display the Normal Timekeeping Screen.
- The clock automatically returns to the Normal Timekeeping Screen if you leave a setting screen on the display for about three minutes without performing any operation.

BATTERY REPLACEMENT

Replace batteries whenever the display of the clock becomes dim and difficult to read.

1. Open the battery compartment cover as shown in the illustration.
2. Remove both old batteries.
3. Load new batteries. Make sure that their positive (+) and negative (-) ends face in the correct directions. If you load batteries incorrectly, they can burst and damage the clock.
4. Replace the battery compartment cover.
5. Press the **RESET button** (Ⓜ). Be sure to press the **RESET button** (Ⓜ) after replacing batteries.

Battery precautions

- Be sure to load the batteries with their positive (+) and negative (-) ends facing correctly.
- Replace the batteries at least once a year, even if the current batteries are working properly.
- Never charge the batteries that come with the clock.
- Should the batteries ever leak while in the clock, wipe out the fluid with a cloth, taking care not to let any get onto your skin.
- The batteries that come with the clock lose some of their power during transport and storage.
- Never mix old and new batteries, or batteries of different brands.

Free Manuals Download Website

<http://myh66.com>

<http://usermanuals.us>

<http://www.somanuals.com>

<http://www.4manuals.cc>

<http://www.manual-lib.com>

<http://www.404manual.com>

<http://www.luxmanual.com>

<http://aubethermostatmanual.com>

Golf course search by state

<http://golfingnear.com>

Email search by domain

<http://emailbydomain.com>

Auto manuals search

<http://auto.somanuals.com>

TV manuals search

<http://tv.somanuals.com>