

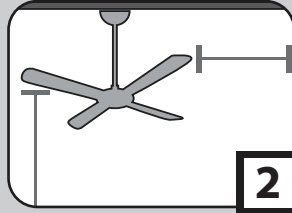
Congratulations on purchasing your new Casablanca® ceiling fan! It will provide comfort and performance in your home or office for many years. This installation and operation manual contains complete instructions for installing and operating your fan.

We are proud of our work and appreciate the opportunity to supply you with the best ceiling fan available anywhere in the world.

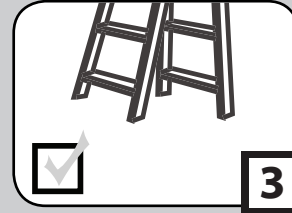
To register your fan, please visit:
www.CasablancaFanCo.com/register

Save your receipt for proof of purchase.

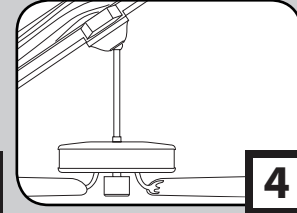
What to Expect with Your Installation



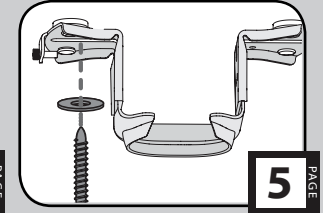
Tools Needed



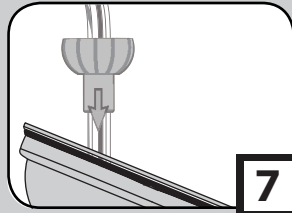
Mounting Options



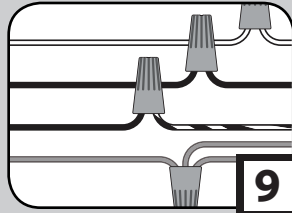
Ceiling Bracket



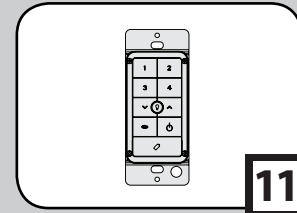
Downrod



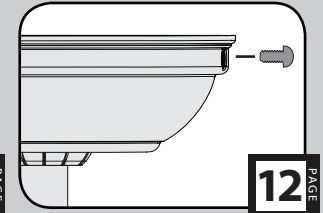
Wiring



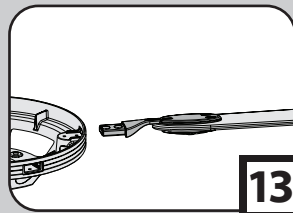
Wall Control



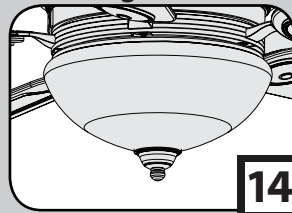
Canopy



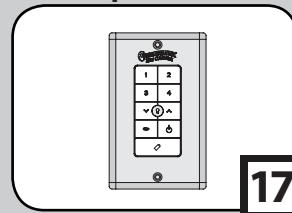
Blades



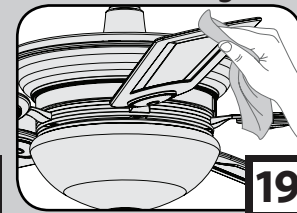
Light Kit



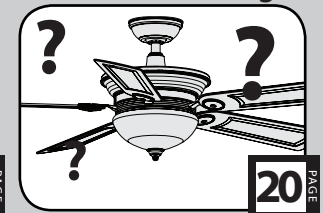
Operation



Maintenance & Cleaning



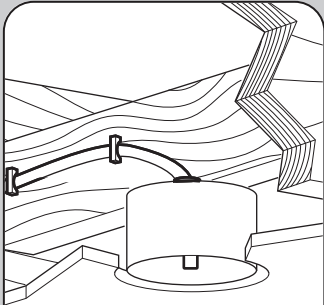
Troubleshooting



What to Expect with Your Installation

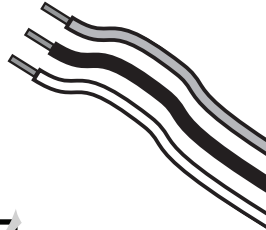
www.CasablancaFanCo.com

1.888.227.2178

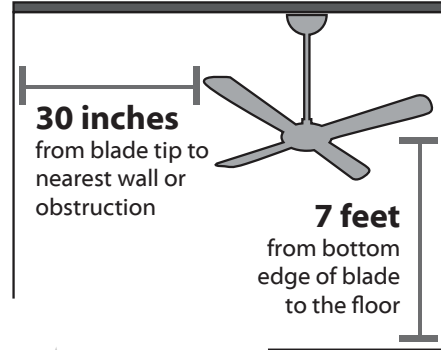


Must be able to secure the fan to building structure or fan-rated outlet box

If you are unfamiliar with wiring, use a qualified electrician.



Know your wiring



Assess location

You may need a friend to help you.



Check box to see fan weight



Ceiling angles greater than 34° will require an Angled Mounting Kit. See page 4 for details.

Assess ceiling angle

1 Standard Downrod
for ceilings 8-10 feet high

2 Longer Downrod
for ceilings 10 feet or higher

Select a downrod length

Read and Save These Instructions

This product conforms to UL Standard 507.

⚠ WARNINGS

w.1 - To reduce the risk of fire, electrical shock, or personal injury, mount fan directly from building structure and/or an outlet box marked acceptable for fan support of 70 lbs (31.8 kg) and use the mounting screws provided with the outlet box.

w.2 - To avoid possible electrical shock, before installing or servicing your fan, disconnect the power by turning off the circuit breakers to the outlet box and associated wall switch location. If you cannot lock the circuit breakers in the off position, securely fasten a prominent warning device, such as a tag, to the service panel.

w.3 - To reduce the risk of fire, electrical shock, or motor damage, use only Casablanca Solid State Speed Controls.

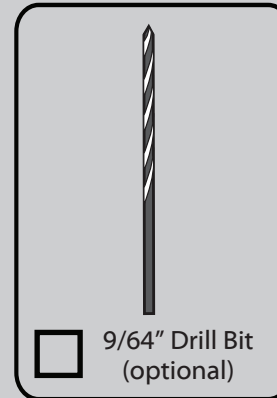
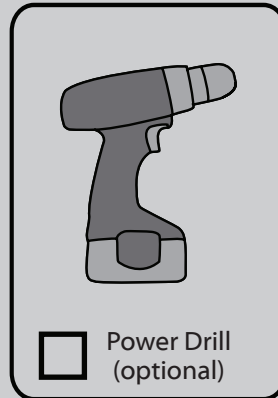
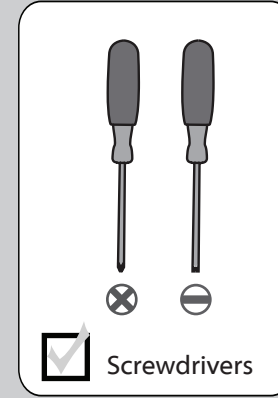
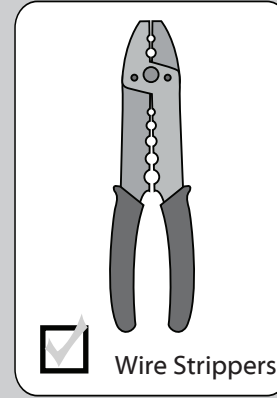
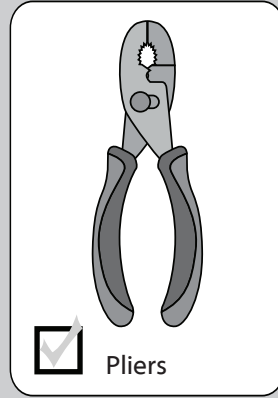
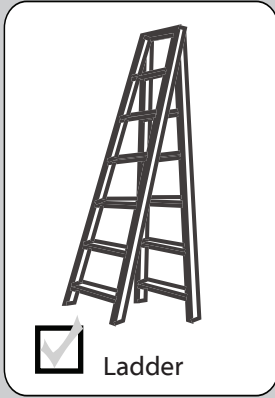
w.4 - To reduce the risk of personal injury, do not bend the blade brackets when installing the blade brackets, balancing the blades, or cleaning the fan. Do not insert foreign objects in between rotating fan blades.

⚠ CAUTIONS

c.1 - All wiring must be in accordance with national and local electrical codes ANSI/NFPA 70. If you are unfamiliar with wiring, use a qualified electrician.

c.2 - Use only Casablanca replacement parts.

This equipment has been tested and found to comply with the limits for a Class B digital device, pursuant to part 15 of the FCC Rules. These limits are to provide reasonable protection against harmful interference in a residential installation. This equipment generates, uses and can radiate radio frequency energy and if not installed and used in accordance with the instructions may cause harmful interference to radio communications.



If mounting to a support structure, you will also need these tools.

34°

CEILING ▲

If you have a flat ceiling:

Hang your fan by a standard downrod (included).

Standard
Mounting

OPTION 1

If you have an angled ceiling:

1. You will need a longer downrod (sold separately).
2. If your ceiling angle is greater than 34°, you will also need an Angled Mounting Kit (sold separately).

Angled
Mounting

OPTION 2

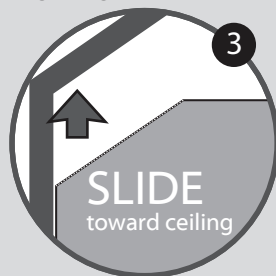
Use the three steps below to determine if your ceiling angle is greater than 34°



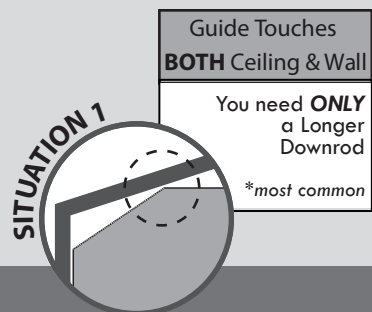
1

FOLD
on dotted line

2

PLACE
against wall

3

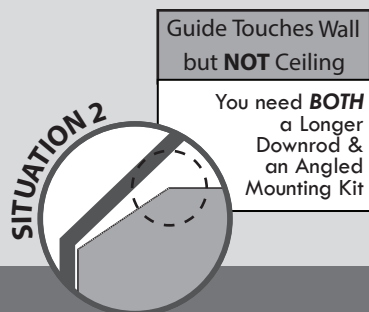
SLIDE
toward ceiling

SITUATION 1

Guide Touches
BOTH Ceiling & Wall

You need **ONLY**
a Longer
Downrod

*most common



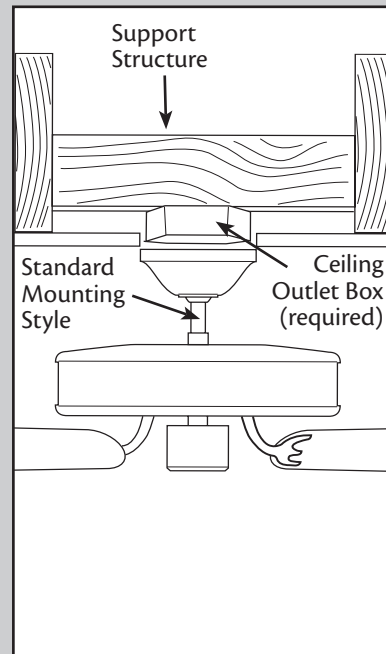
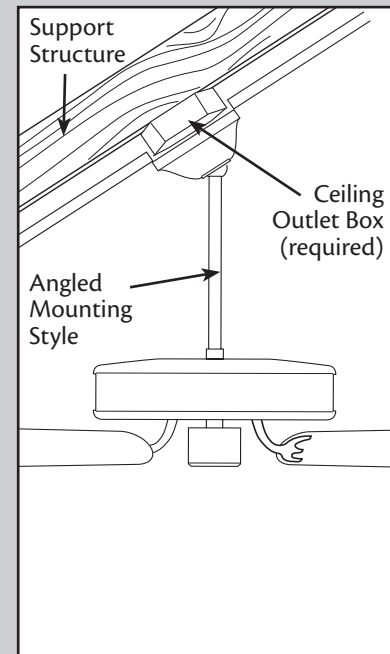
SITUATION 2

Guide Touches Wall
but **NOT** Ceiling

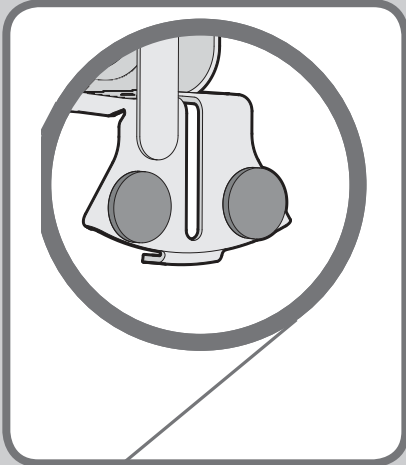
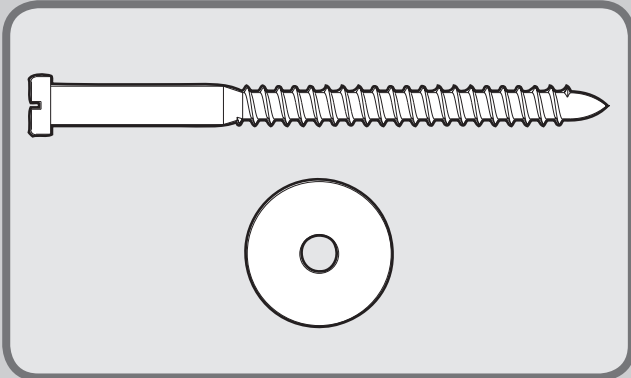
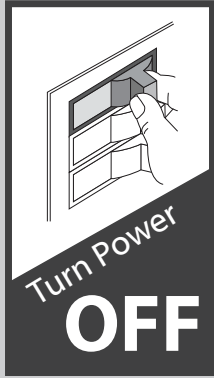
You need **BOTH**
a Longer
Downrod &
an Angled
Mounting Kit

Mounting Options

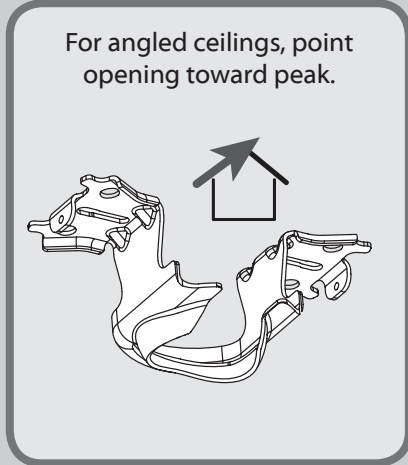
1.888.227.2178

Use **Standard Mounting**
to hang the fan from a flat ceiling.Use **Angled Mounting**
to hang the fan from a
vaulted or angled ceiling.

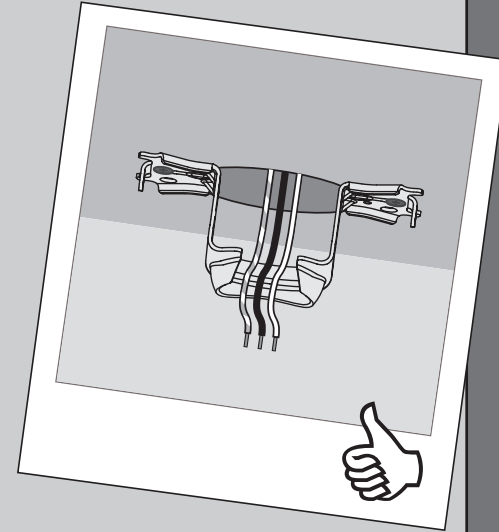
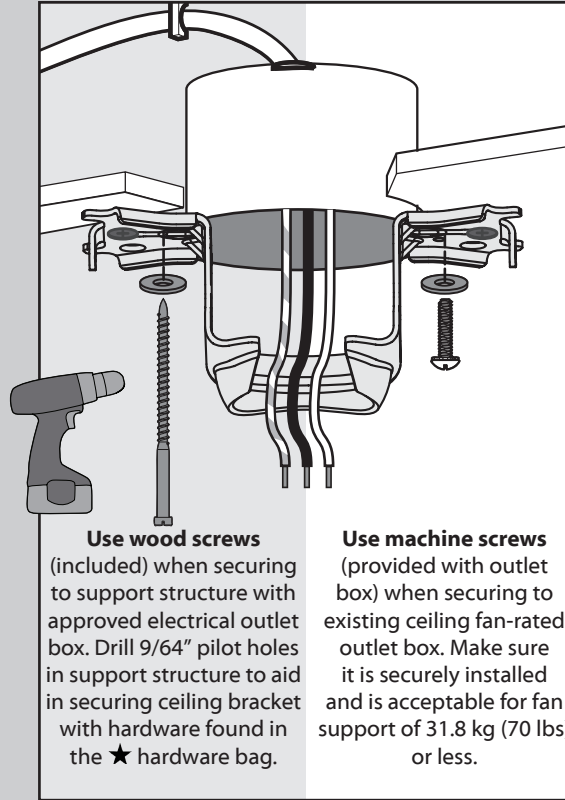
4



Make sure all four bumpers are still attached.



If you are unable to do this, call Technical Support at 1-888-227-2178.

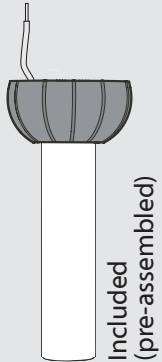


Refer to warning w.1 on pg. 2

To avoid possible electrical shock, before installing your fan, disconnect the power by turning off the circuit breakers to the outlet box associated with the wall switch location.

Option 1

Standard Downrod for ceilings 8-10' high



Included (pre-assembled)

skip to next page

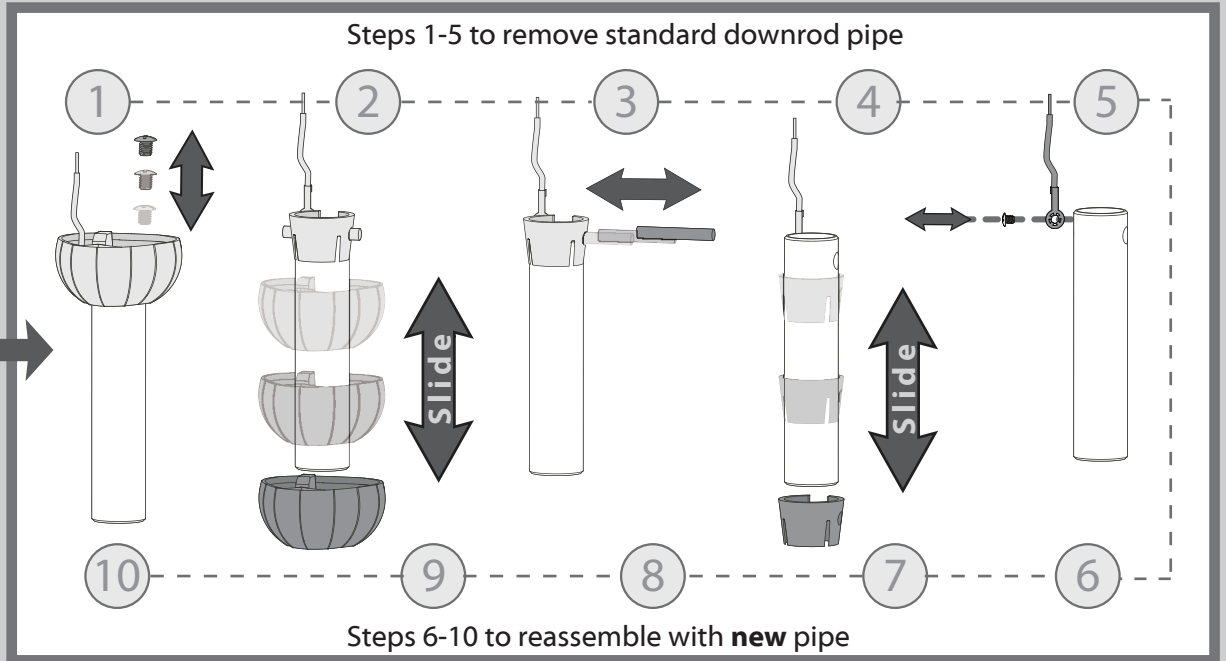
Option 2

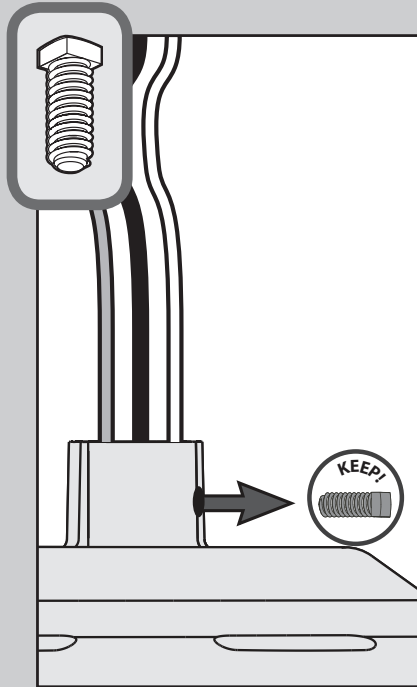
Longer Downrod for angled ceilings or ceilings 10' or higher



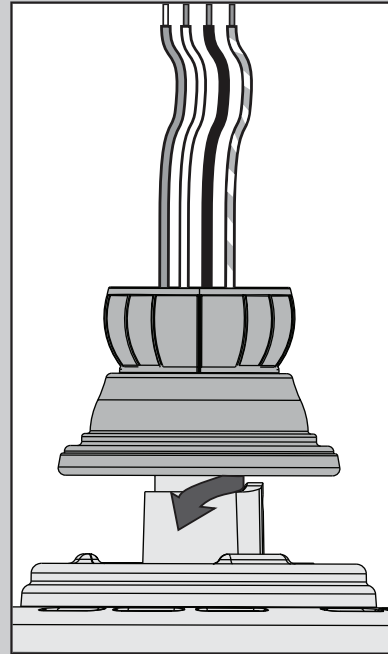
Sold Separately

If you need a different downrod length follow these steps:

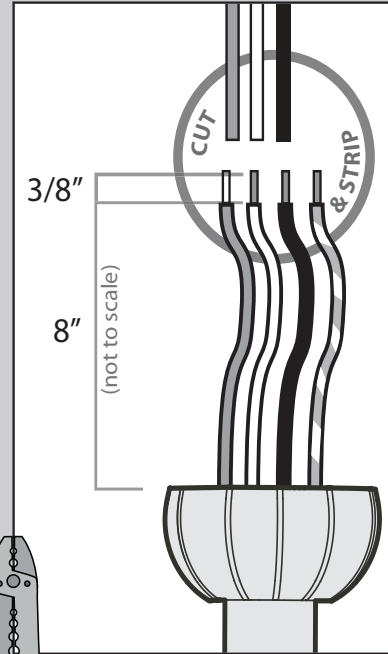




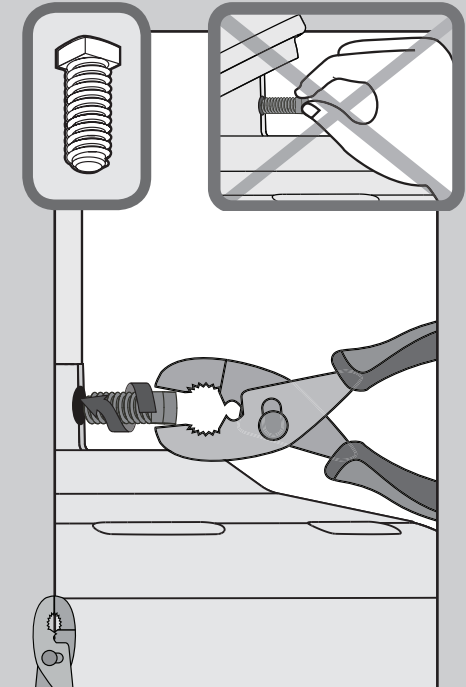
Remove the pre-installed setscrew so that the downrod can be inserted.



Slide the adapter cover onto the downrod, then hand tighten the downrod (at least 4-5 full turns) until it stops.



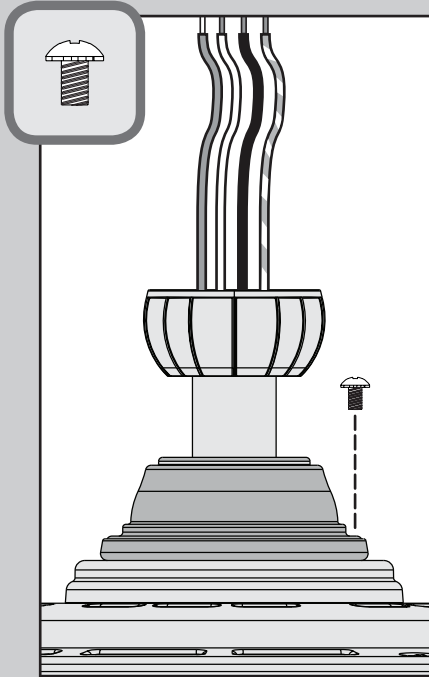
The wires can be cut, but leave at least 8" extending from the top of the downrod.



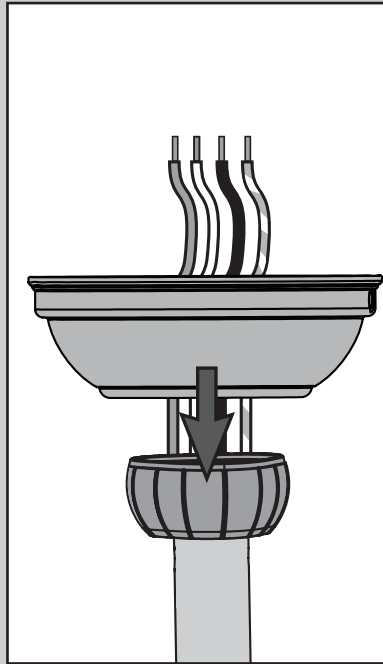
Tighten the setscrew with pliers. **DO NOT HAND TIGHTEN.**



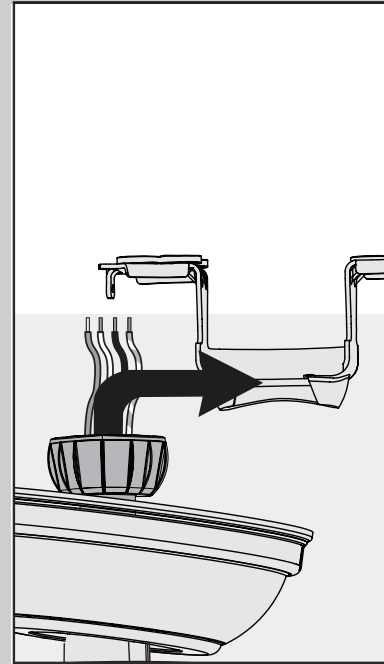
If the setscrew is not tightened securely, the fan may fall.



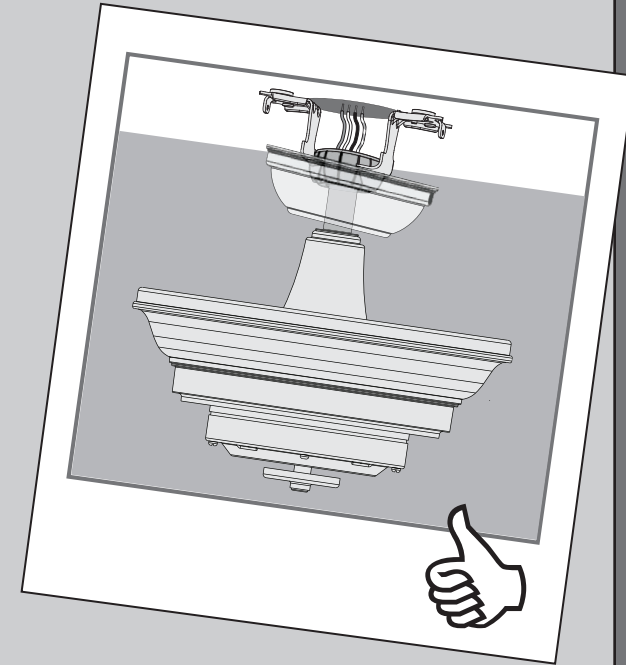
Lower the adapter cover until it rests flush against the motor housing. Align the screw holes on the adapter cover with the screw holes on the motor housing and install the three adapter cover screws found in the ● hardware bag.



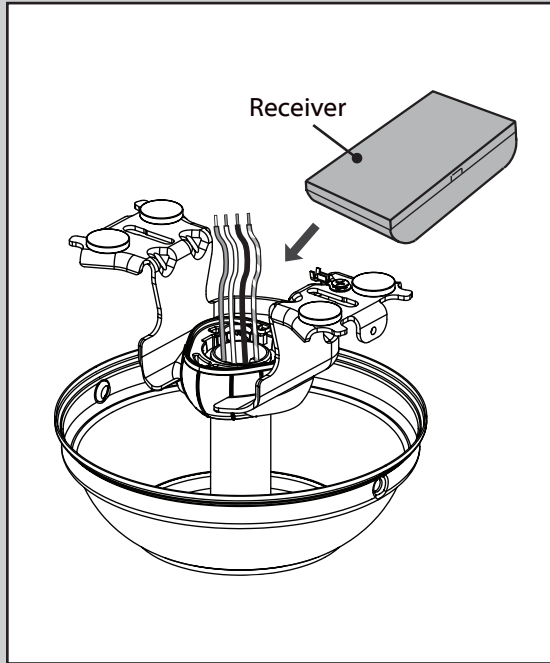
Put the wires and downrod through the canopy. Let the canopy sit loosely on top of the fan.



DO NOT PICK THE FAN UP BY THE CANOPY OR WIRES. Place the downrod ball into the slot in the ceiling bracket.



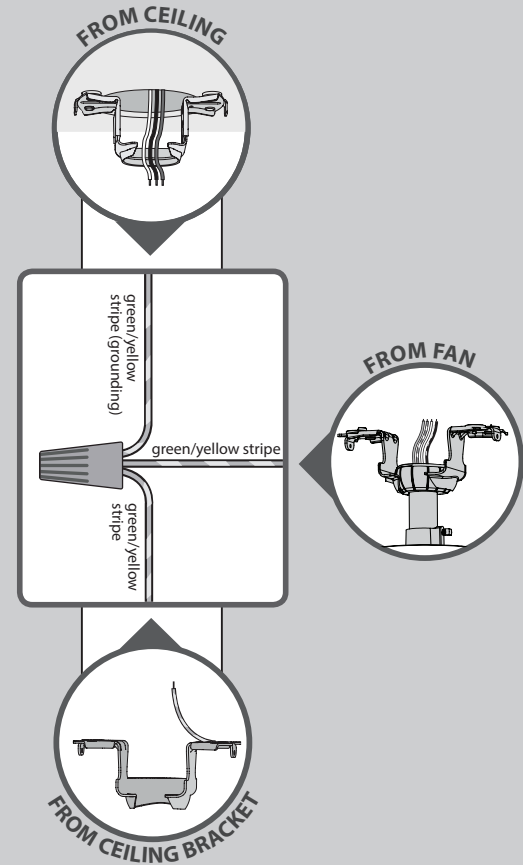
Note: To connect the wires, hold the bare metal leads together and place a wire connector over them, then twist clockwise until tight.



Receiver

Place the receiver on top of the downrod assembly as shown.

Using an orange wire connector from the ★ hardware bag:
Connect the 3 grounding wires (green, green/yellow stripe, or bare copper) coming from the ceiling, downrod, and ceiling bracket.



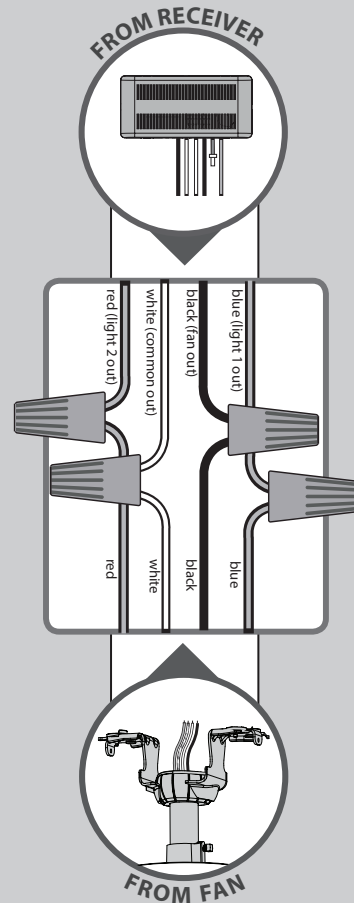
Refer to CAUTION c.1 on pg. 2

Turn the splices upward and push them carefully back through the hanger bracket into the outlet box. Spread the wires apart, with the grounded wires on one side of the outlet box and the ungrounded wires on the other side of the outlet box.

Use wire strippers to remove the crimp connector from the end of the red wire on the receiver.

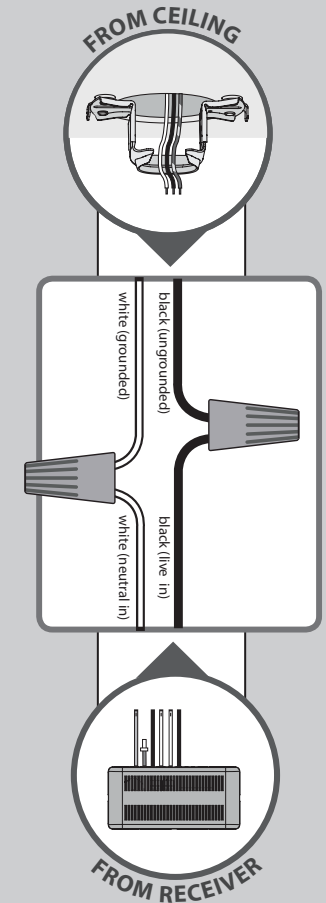
Using the wire connectors from the remote control hardware bag:

- Connect the white wire from the receiver (marked "common out") to the white wire from fan.
- Connect the black wire from the receiver (marked "fan out") to the black wire from the fan.
- Connect the blue wire from the receiver (marked "light 1 out") to the blue wire from the fan
- Connect the red wire from the receiver (marked "light 2 out") to the red wire from the fan.



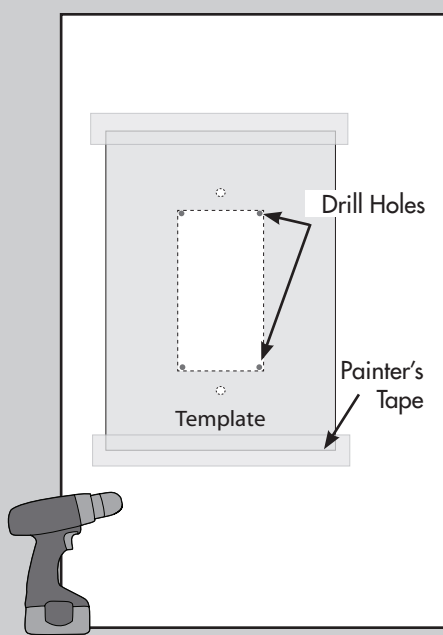
Using an orange wire connector from the ★ hardware bag:

- Connect the black wire (ungrounded) from the ceiling to the black wire from the receiver (marked "live in").
- Connect the white wire (grounded) from the ceiling to the white wire from the receiver (marked "neutral in" or "common in").



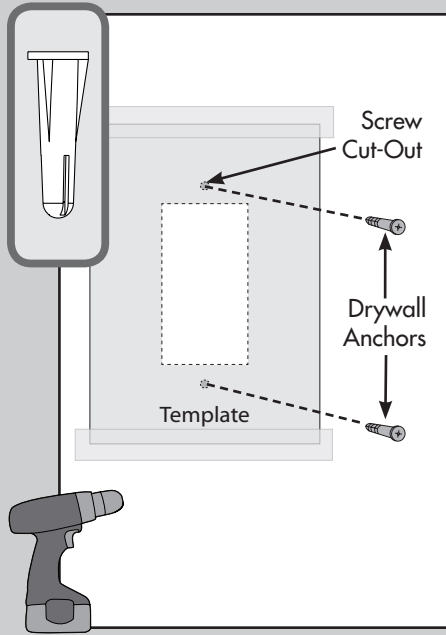
Turn the splices upward and push them carefully back through the hanger bracket into the outlet box. Spread the wires apart, with the grounded wires on one side of the outlet box and the ungrounded wires on the other side of the outlet box.

Refer to CAUTION c.1 on pg. 2

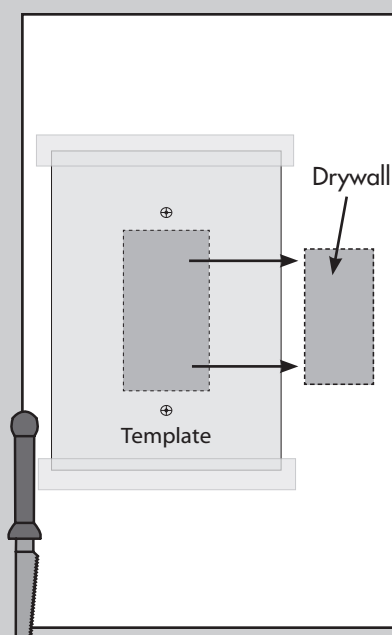


1. Tape the provided wall control template with painter's tape at the desired installation area.
2. Drill holes inside the four corners of the template.

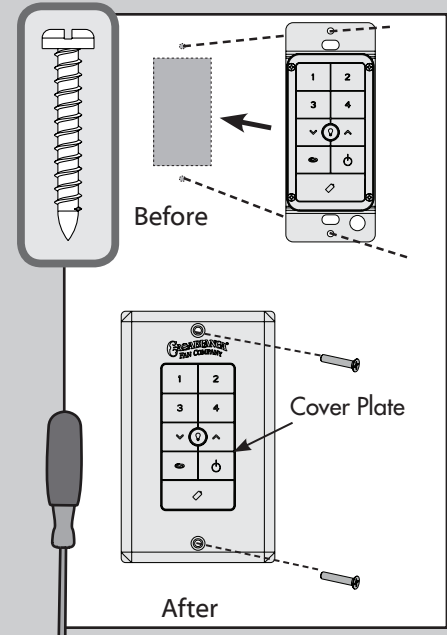
Note: Make sure the wall control template is level before proceeding to the next step.



1. Using a 9/64 drill bit, drill a hole in each screw cut-out on the wall control template.
2. Using a hammer, tap a drywall anchor found in the wall control hardware bag into each hole until the drywall anchor is flush with the wall.



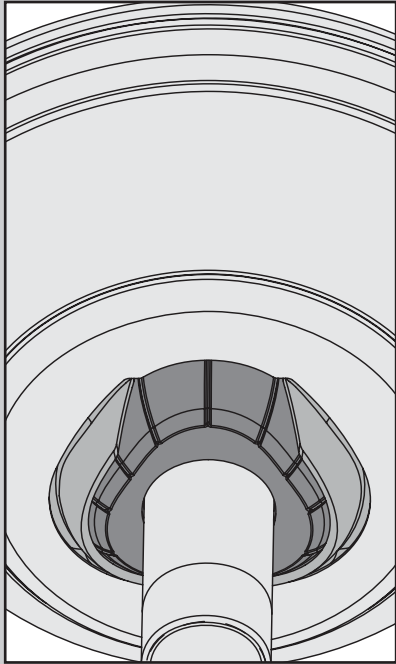
1. Using a drywall punch saw, cut out the interior shape of the template using one of the four drilled corners as a starting point.
2. Remove the template and the cut-out section of drywall.



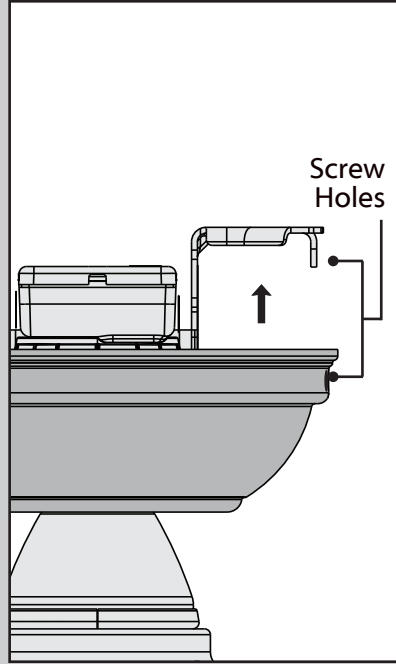
1. Insert the wall control into the dry wall cut out.
2. Align the screw holes in the wall control with the drywall anchors.
3. Install the cover plate using a Phillips Head screwdriver to secure the two cover plate screws found in the wall control hardware bag through the wall control and into the drywall anchors.

If you are using an outlet box for wall control installation, the wires coming from the wall control must be grounded using the attached green wire. If not placed in an outlet box, cap the green wire coming from the wall control with an included wire nut.

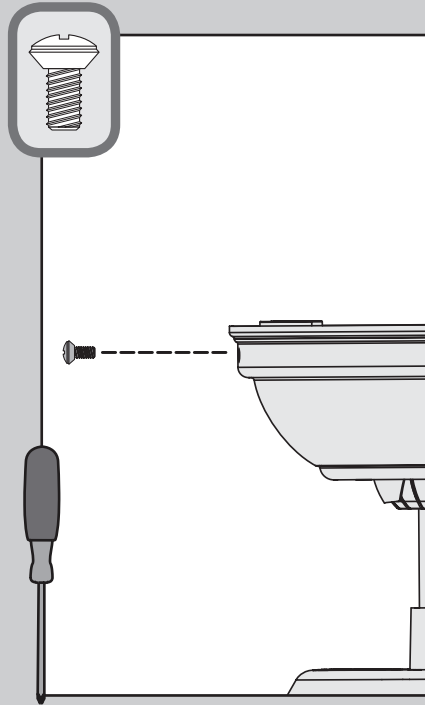
This device complies with Part 15 of the FCC Rules. Operation is subject to the following conditions: (1) this device may not cause harmful interference, and (2) this device must accept any interference received, including interference that may cause undesired operation.



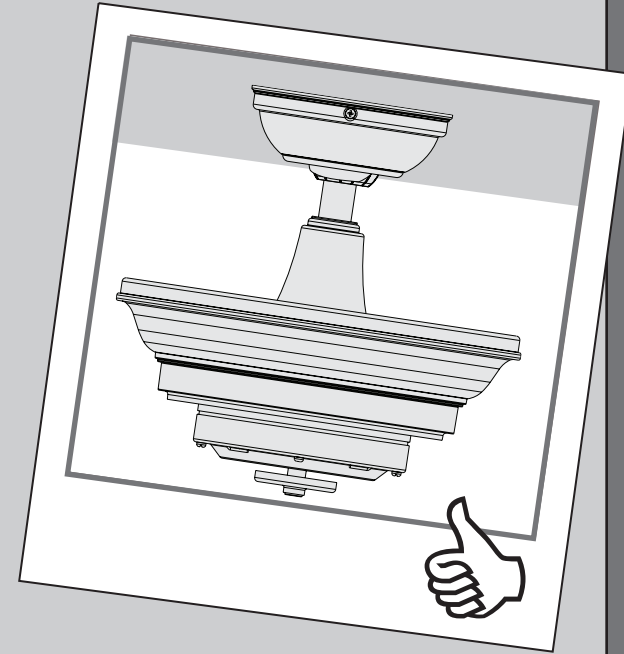
Position the canopy so that, when lifted into place, the canopy fits into the hanging bracket as shown.



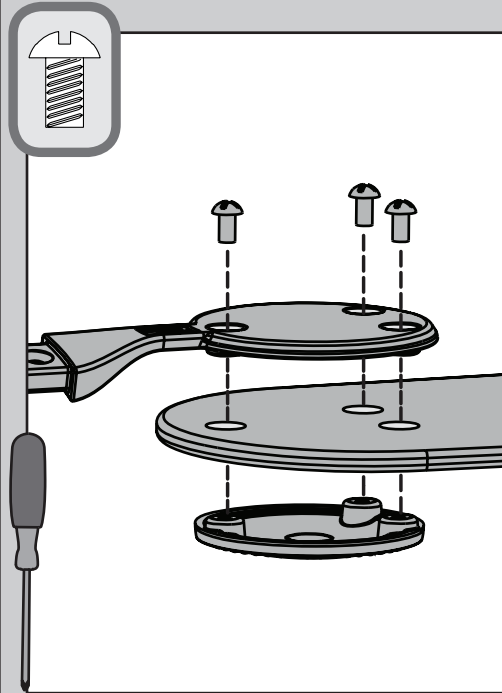
Lift the canopy into place so that the screw holes are aligned.



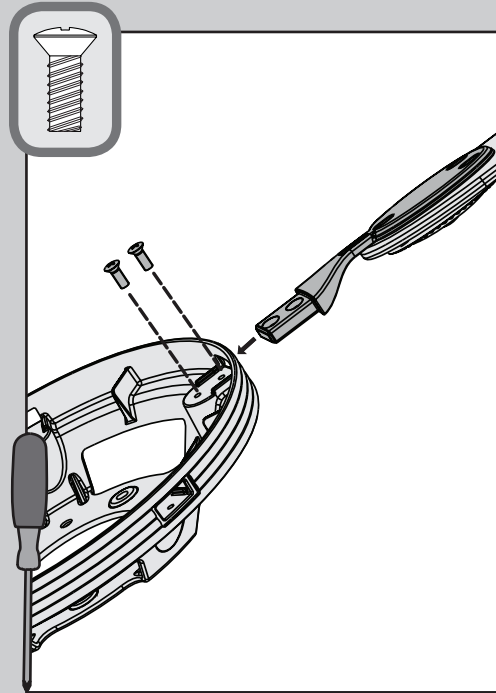
✘ Insert the two canopy screws found in the ● hardware bag.



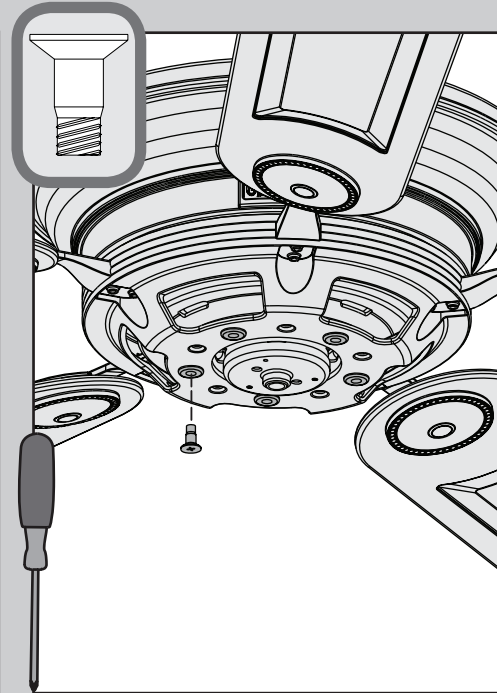
Note: Fan style may vary.



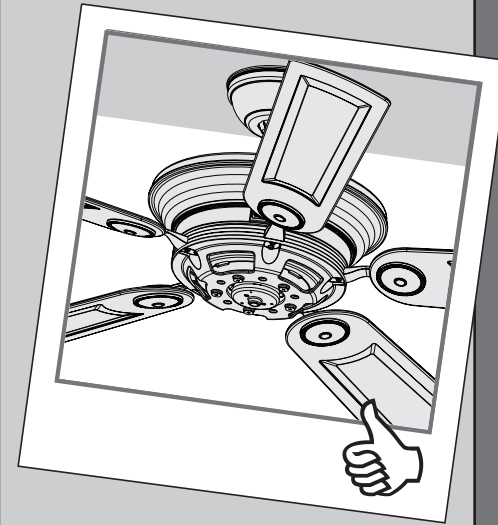
- ⊗ Place each blade between a blade iron and blade medallion. Install the blade screws, found in the ▲ hardware bag, to attach the medallion to the blade iron. Repeat for all blades.

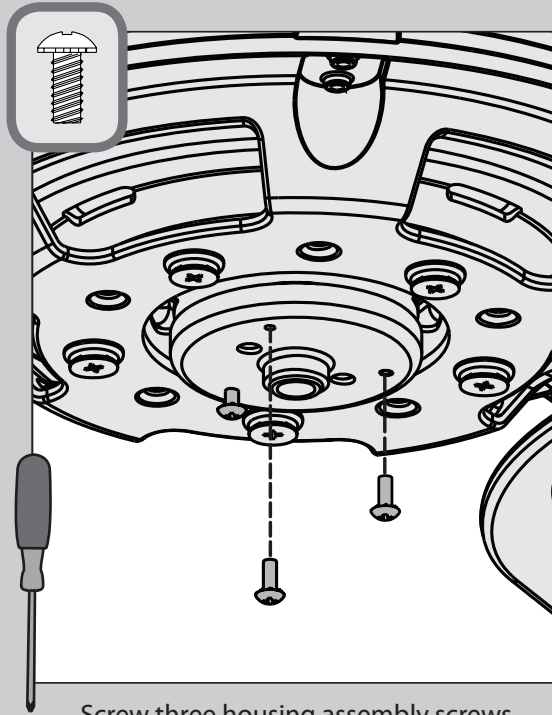



- ⊗ Once the blade and medallion are attached, insert the blade iron into the slot on the blade ring and install the blade iron armature screws, found in the ✕ hardware bag.

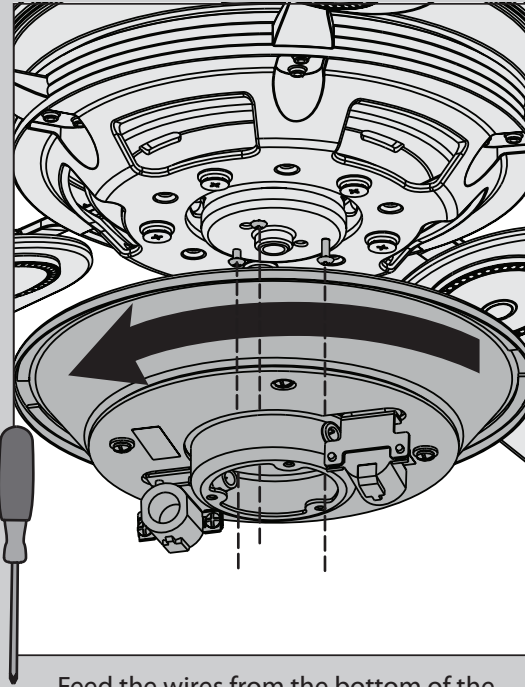


- ⊗ Once all five blades have been assembled, lift the blade assembly and align the screw holes and rubber grommets on the blade ring with the screw holes on the motor. Install the blade ring screws, found in the ✕ hardware bag.



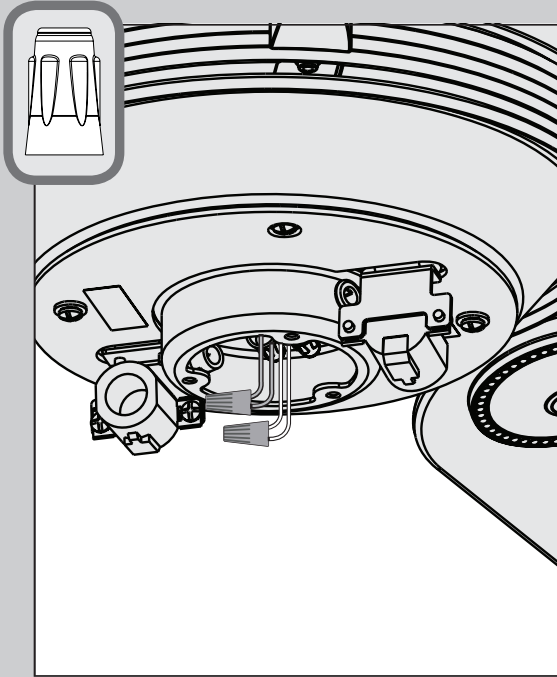


⊗ Screw three housing assembly screws from the  hardware bag halfway into the motor housing.



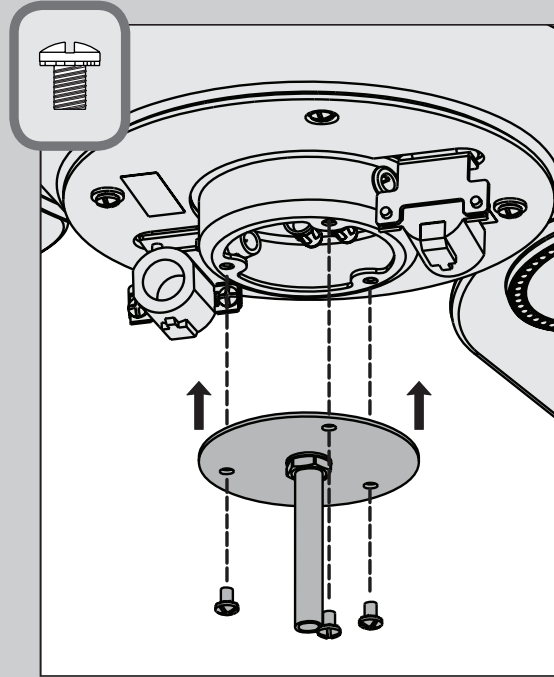
⊗ Feed the wires from the bottom of the fan through the center hole of the light kit, then wrap keyhole slots around the screws and twist counterclockwise. Tighten all three screws securely.

Make sure the light kit is securely attached to the motor housing. Failure to properly secure all three assembly screws could result in the light kit falling.

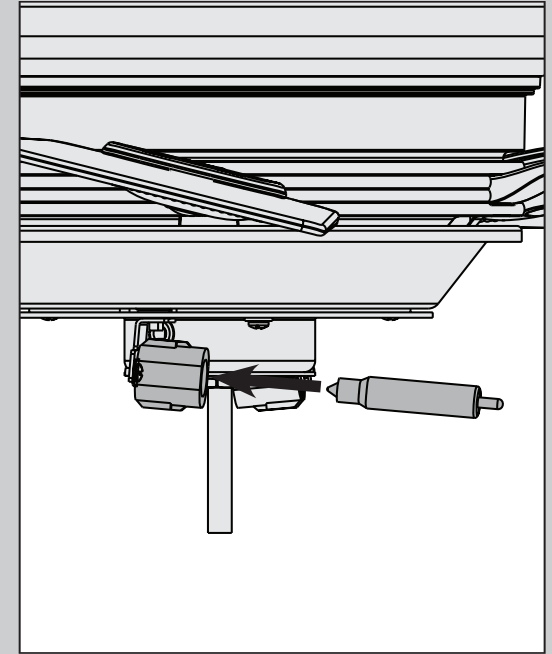


Using the ceramic wire connectors, connect the blue wire from the fan to the blue wire from the light kit. Connect the white wire from the fan to the white wire from the light kit.

Note: Be sure to use the CERAMIC wire connectors to avoid fire hazard.



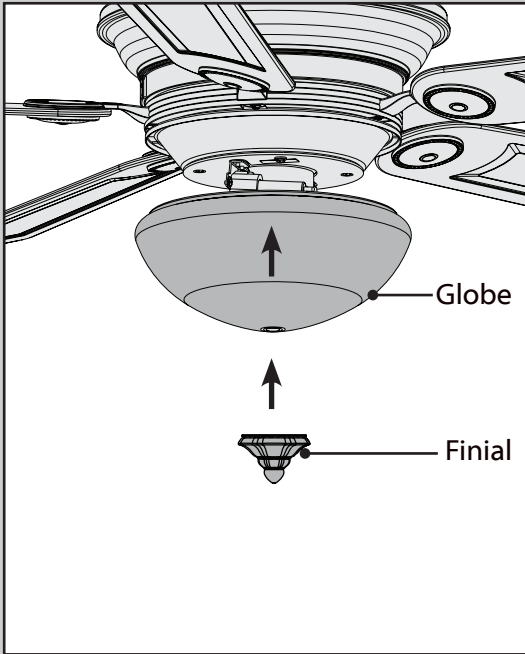
Tuck the wires into the light kit, then lift the light fixture and align the screw holes in the light fixture with the screw holes in the light kit. Install the three light fixture screws, found in the ☰ hardware bag.



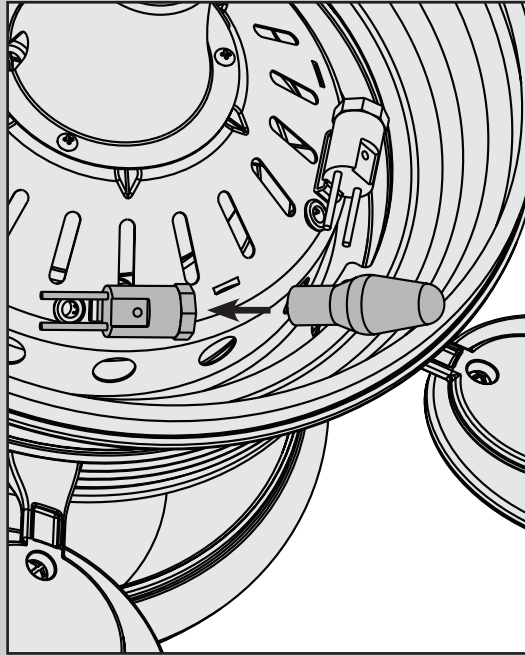
Install a halogen bulb in each socket. When necessary, replace with bulbs of the same type and wattage.

Make sure the light fixture is securely attached to the light kit. Failure to properly secure all 3 assembly screws could result in the light fixture falling.





Carefully lift the globe so the threaded rod on the light fixture goes through the hole in the globe. With the other hand, install the finial onto the threaded rod and tighten securely.



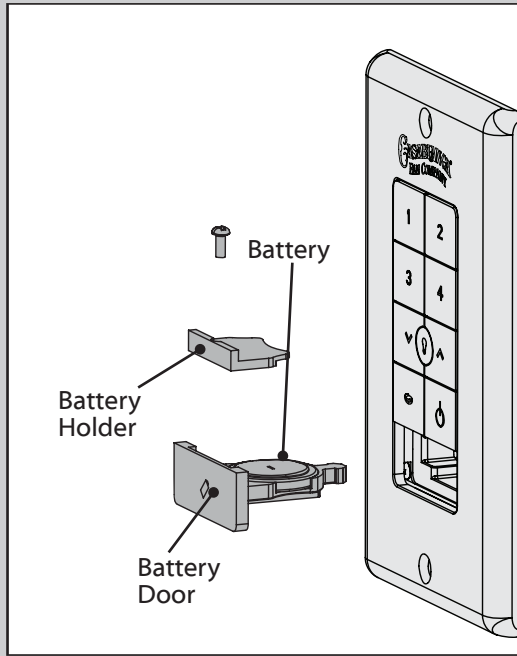
Install an E12 bulb in each upper socket.

Note: Do not use CFL bulbs to replace your light bulbs. Your lights may flicker or fail to work.

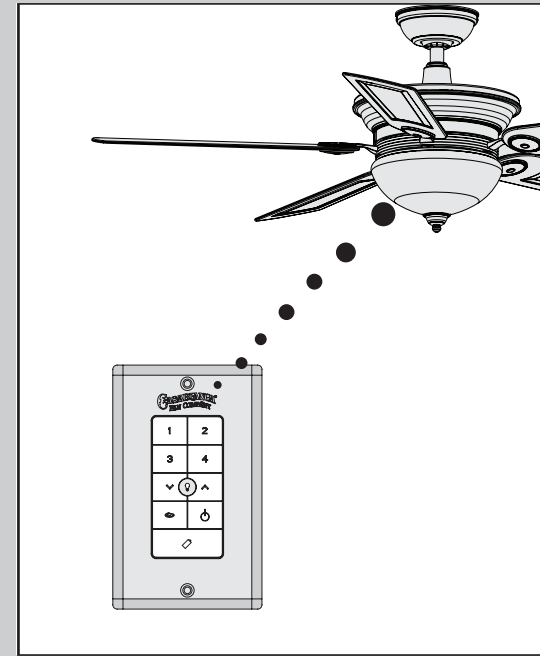
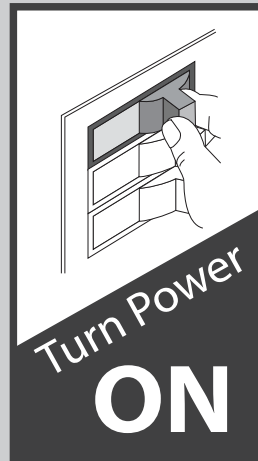


See next page for fan operation instructions. 

Note: Glass shade style and number of lights may vary.

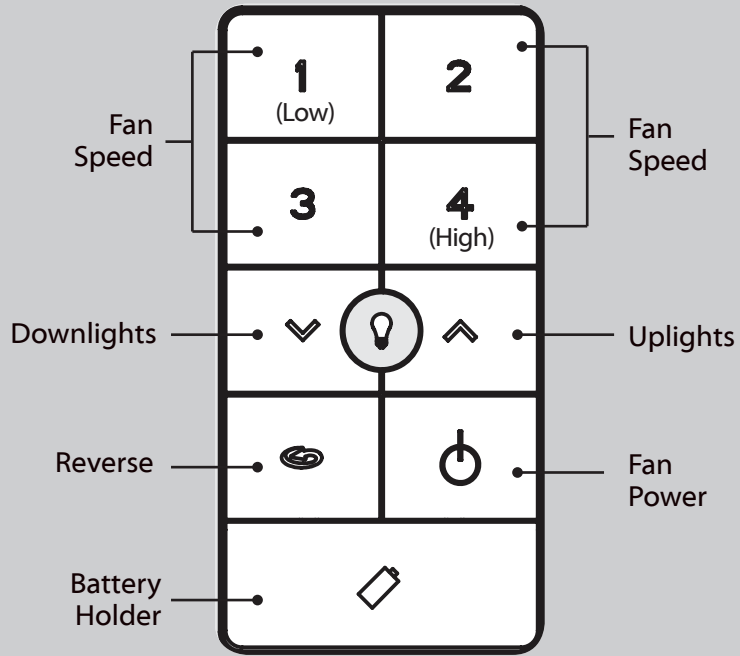


Before operating the wall control, press on the battery door to eject it. Unscrew the battery holder. Insert the battery, found in the control hardware bag, with the positive (+) side facing downward. Reinstall the battery holder and reinsert the battery door into the wall control.

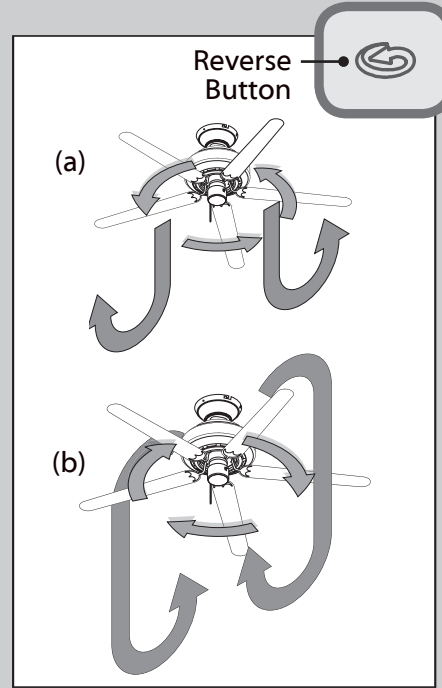


The remote transmitter should already be paired to the receiver and ready to use.

Note: If your need to pair your remote, turn fan power off and back on at the circuit breaker. Within three minutes, press and hold both the Fan Off button and the 4 button for four seconds to pair the remote. **To prevent faulty operation, please disconnect power from all other ceiling fans within range while pairing.**



Quickly press the uplights or downlights button to turn the lights off and on. Press and hold the appropriate button to raise or dim the light level of the uplights or downlights. The reverse button changes the direction that the blades turn. The power button turns the fan off and on.

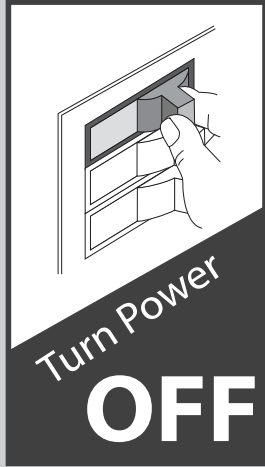


The reverse button on the wall control changes the air flow pattern. **In warm weather**, use (a) downward air flow pattern. **In cold weather**, use (b) upward air flow pattern.

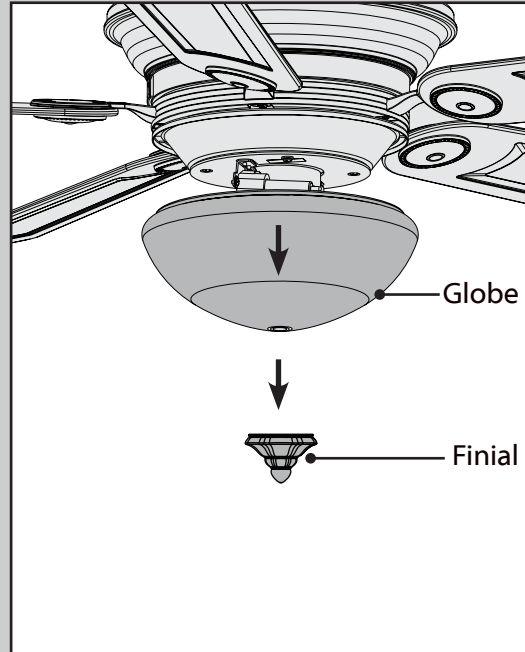
The Safe-Exit Program gives you about thirty seconds of light when you turn the lights off to exit the room before the lights go out. To use Safe-Exit:

- Press the fan power button off for at least three seconds to initiate the Safe-Exit Mode.
- The lights will flash for visual confirmation.
- The lights will stay on 50% brightness for 20 seconds and then begin to dim. After a total of 30 seconds, the lights will be completely off.

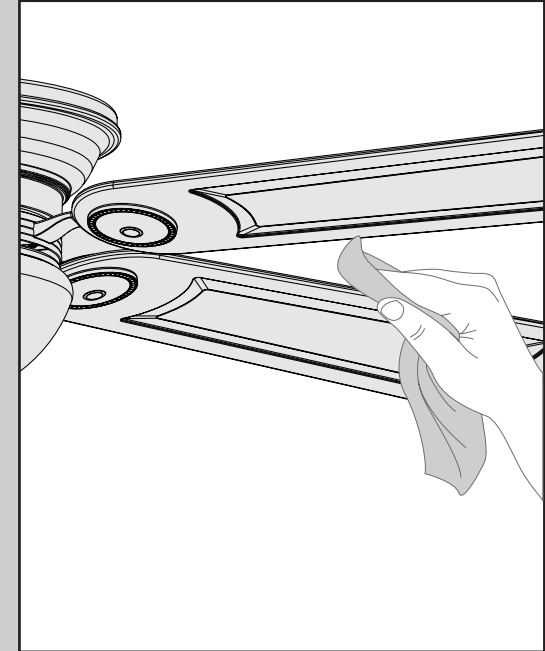
Note: For CFL lighting, the lights will stay on 100% brightness for 30 seconds. After a total of 30 seconds, the lights will be completely off.



Be sure to turn off power to the fan before performing any maintenance or relamping.



Changing the bulbs - remove the finial from the threaded rod while supporting the globe with your other hand. Carefully remove the globe. Unscrew bulbs and replace with bulbs of the same type and wattage. Reinstall the globe assembly.



Cleaning the fan - use soft brushes or cloths to prevent scratching. Cleaning products may damage the finishes.

Fan doesn't work

- Press a fan speed button (1-4).
- Check the circuit breaker to ensure the power is turned on.
- Check the wall control battery.
- Make sure that you have paired the wall control.
- Make sure the blades spin freely.
- Turn off power from the circuit breaker, then loosen the canopy and check all the connections according to the wiring diagram on pages 9-10.
- Check the plug connection in the switch housing.

Excessive wobbling

- Tighten all of the blade and blade iron screws until they are snug.
- Turn the power off, support the fan carefully, and check that the hanger ball is properly seated.
- Use the provided balancing kit and instructions to balance the fan.

Remote doesn't work

- Install a fresh battery in the wall control.
- Make sure you have paired the remote.

Noisy Operation

- Tighten the blade and blade iron screws until they are snug.
- Check to see if any of the blades are cracked. If so, replace all of the blades.

If you have multiple remotes or multiple remote-controlled fans installed on the same circuit breaker

and you are experiencing interference or faulty operation of your remote controls, please go to www.CasablancaFanCo.com/FAQs and click "How do I properly install multiple remote-controlled fans?" for information on how to correct this issue.

Lights dim when turned on or do not turn on at all.

- Make sure the wattage of the light bulbs installed matches the specifications on the light sockets (see page 19 for instructions on changing the bulbs).

AUTHORIZED SERVICE CENTERS

For the most updated list of Casablanca Authorized Service Centers, visit www.CasablancaFanCo.com or call toll free 1-888-227-2178.

Free Manuals Download Website

<http://myh66.com>

<http://usermanuals.us>

<http://www.somanuals.com>

<http://www.4manuals.cc>

<http://www.manual-lib.com>

<http://www.404manual.com>

<http://www.luxmanual.com>

<http://aubethermostatmanual.com>

Golf course search by state

<http://golfingnear.com>

Email search by domain

<http://emailbydomain.com>

Auto manuals search

<http://auto.somanuals.com>

TV manuals search

<http://tv.somanuals.com>