

Garantía Limitada

1. DURACIÓN: A partir de la fecha de compra por parte del comprador original del modo siguiente: un año.
2. QUIEN OTORGA ESTA GARANTIA (EL GARANTE): Campbell Hausfeld / The Scott Fetzer Company 100 Production Drive, Harrison, Ohio 45030 Teléfono: (800) 424-8936.
3. QUIEN RECIBE ESTA GARANTIA (EL COMPRADOR): El comprador original (que no sea un revendedor) del producto Campbell Hausfeld.
4. QUÉ PRODUCTOS ESTÁN CUBIERTOS POR ESTA GARANTÍA: Cualquier herramienta a motor inalámbrica Campbell Hausfeld distribuida o fabricada por el garante.
5. COBERTURA DE LA GARANTIA: Los defectos substanciales de material y fabricación que ocurran dentro del periodo de validez de la garantía.
6. LO QUE NO ESTA CUBIERTO POR ESTA GARANTIA:
 - A. Las garantías implícitas, incluyendo aquellas de comercialidad E IDONEIDAD PARA FINES PARTICULARES, ESTAN LIMITADOS A LO ESPECIFICADO EN EL PARRAFO DE DURACION. Si este producto es empleado para uso comercial, industrial o para renta, la garantía será aplicable por noventa (90) días a partir de la fecha de compra. En algunos estados no se permiten limitaciones a la duración de las garantías implícitas, por lo tanto, en tales casos esta limitación no es aplicable.
 - B. CUALQUIER PERDIDA DAÑO INCIDENTAL, INDIRECTO O CONSECUENTE QUE PUEDA RESULTAR DE UN DEFECTO, FALLA O MALFUNCIONAMIENTO DEL PRODUCTO CAMPBELL HAUSFELD. En algunos estados no se permite la exclusión o limitación de daños incidentales o consecuentes, por lo tanto, en tales casos esta limitación o exclusión no es aplicable
 - C. Cualquier falla que resulte de un accidente, abuso, negligencia o incumplimiento de las instrucciones de funcionamiento y uso indicadas en el (los) manual(es) que se adjunta(n) al producto. Dichos accidentes, abusos por parte del comprador, o falta de operar el producto siguiendo las instrucciones del manual de instrucciones suministrado también debe incluir la desconexión o modificación de los instrumentos de seguridad. Si dichos instrumentos de seguridad son desconectados, la garantía quedaría cancelada.
 - D. Los ajustes normales explicados en el(los) manual(es) suministrado(s) con el producto.
 - E. Artículos o servicio que se necesitan normalmente para el mantenimiento del producto, por ej.: contactos, asideros, resortes, gatillos o cualquier otra pieza fungible no detallada específicamente. Estos artículos solamente estarán cubiertos durante 90 (noventa) días a partir de la fecha de compra original.
7. RESPONSABILIDADES DEL GARANTE BAJO ESTA GARANTIA: Reparar o reemplazar, como lo decida el Garante, los productos o componentes que estén defectuosos, se hayan dañado o hayan dejado de funcionar adecuadamente, durante el periodo de validez de la garantía
8. RESPONSABILIDADES DEL COMPRADOR BAJO ESTA GARANTIA:
 - A. Suministrar prueba fechada de compra y la historia de mantenimiento del producto.
 - B. Seguir las instrucciones sobre operación y mantenimiento del producto, tal como se indica(n) en el (los) manual(es) del propietario
9. CUANDO EFECTUARA EL GARANTE LA REPARACION O REEMPLAZO CUBIERTO BAJO ESTA GARANTIA: La reparación o reemplazo dependerá del flujo normal de trabajo del centro de servicio y de la disponibilidad de repuestos.

Esta garantía limitada es válida sólo en los EE.UU., Canadá y México y otorga derechos legales específicos. Usted también puede tener otros derechos que varían de un Estado a otro. o de un país a otro.

See Warranty on page 8 for important information about commercial use of this product.

Operating Instructions and Parts Manual

DG141900CD

Please read and save these instructions. Read carefully before attempting to assemble, install, operate or maintain the product described. Protect yourself and others by observing all safety information. Failure to comply with instructions could result in personal injury and/or property damage! Retain instructions for future reference.



Cordless Drill/Driver and Charger

Unpacking

When unpacking this product, carefully inspect for any damage that may have occurred during transit.

General Safety Information

This manual contains information that is very important to know and understand. This information is provided for SAFETY and to PREVENT EQUIPMENT PROBLEMS. To help recognize this information, observe the following symbols:

⚠ DANGER Danger indicates an imminently hazardous situation which, if not avoided, will result in death or serious injury.

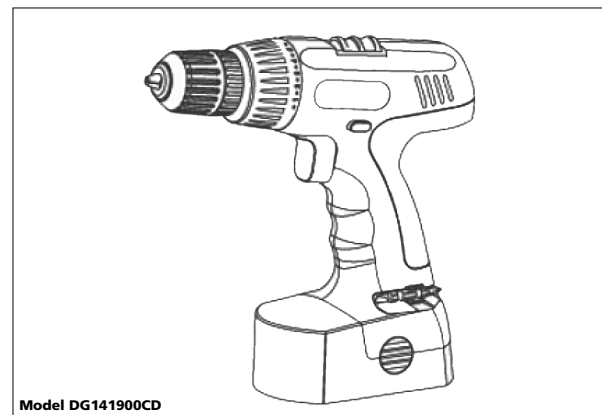
⚠ WARNING Warning indicates a potentially hazardous situation which, if not avoided, COULD result in death or serious injury.

⚠ CAUTION Caution indicates a potentially hazardous situation which, if not avoided, MAY result in minor or moderate injury.

NOTICE Notice indicates important information, that if not followed, may cause damage to equipment.

CALIFORNIA PROPOSITION 65

⚠ DANGER You can create dust when you cut, sand, drill or grind materials such as wood, paint, metal, concrete, cement, or other masonry. This dust often contains chemicals known to cause cancer, birth defects, or other reproductive harm. Wear protective gear.



Model DG141900CD

⚠ WARNING This product or its power cord contains lead, a chemical known to the State of California to cause cancer and birth defects or other reproductive harm. Wash hands after handling.

The following safety precautions must be followed at all times along with any other existing safety rules.

1. Read all manuals included with this product carefully. Be thoroughly familiar with the controls and the proper use of the equipment.
2. Only persons well acquainted with these rules of safe operation should be allowed to use the saw.



⚠ WARNING Safety glasses and ear protection must be worn during operation.



3. Do not wear loose fitting clothing, scarves, or neck ties in work area. Loose clothing may become caught in moving parts and result in serious personal injury.
4. Do not wear jewelry when operating any tool. Jewelry may become caught in moving parts and result in serious personal injury.
5. Always use attachments designed for use with this tool. Do not use damaged or worn attachments.
6. Never trigger the tool when not applied to a work object. Attachments must be securely attached. Loose attachments can cause serious injury.
7. Never point a tool at oneself or any other person. Serious injury could occur.
8. Use steady, even pressure when using tool. Do not force. Too much pressure can cause blade to break or overheat.

REMINDER: Keep your dated proof of purchase for warranty purposes! Attach it to this manual or file it for safekeeping.

Funcionamiento (Continuación)

La dirección de rotación puede revertirse para ayudar a liberar una broca atascada. Asegúrese de REAJUSTAR la dirección de rotación antes de intentar seguir perforando.

- Reduzca la presión en el taladro justo antes de que la broca corte a través del trabajo para evitar astillar la madera o que se ahogue en el metal.
- Cuando la broca haya penetrado el trabajo por completo y esté girando libremente, retirela del trabajo mientras el motor aún está en funcionamiento, luego apague el taladro.

CÓMO PERFORAR MADERA

Además de las instrucciones enumeradas bajo la sección PERFORACIÓN GENERAL, lo siguiente también se aplica:

- Cuando utilice una broca helicoidal en madera, retirela frecuentemente del orificio para quitar las láminas que se acumulan en las estrías. Esto ayuda a evitar que el trabajo se recaliente o se queme.
- Si se utiliza un bloque de apoyo para que la parte trasera del trabajo no se astille, sujételo en su lugar en forma segura. Si no se usa un bloque de apoyo con brocas de paleta o sierras para orificios, libere presión tan pronto como la punta de la broca atraviese el trabajo y complete el orificio desde el lado opuesto.

CÓMO PERFORAR METAL

Además de las instrucciones enumeradas bajo la sección PERFORACIÓN GENERAL, lo siguiente también se aplica:

- Use únicamente brocas helicoidales de acero para alta velocidad, de buena calidad y afiladas cuando perfore metal.
- Comience a perforar con una velocidad lenta y aumente paulatinamente la velocidad a medida que el taladro va cortando. Cuanto más duro sea el material, necesitará una velocidad más baja. Cuanto más blando sea el material, necesitará una velocidad más alta.
- Cuando perfore un orificio grande, es más fácil perforar primero un orificio pequeño y después agrandarlo al tamaño necesario.

- El uso de un lubricante, como el aceite, en la punta del taladro, ayuda a mantener la broca fría, aumenta la acción de perforación y prolonga la vida útil de la broca.

CÓMO ATORNILLAR TORNILLOS PARA MADERA

- Perfore orificios piloto y orificios de paso. Consulte la tabla denominada "Tamaño sugerido de orificios para tornillos para madera".
- Instale la broca adecuada para el destornillador.
- Establezca la presión ajustando el anillo para la torsión deseada y coloque el selector de velocidad en "1", la configuración de baja velocidad.
- Ajuste el taladro para una rotación correcta.
- Introduzca con sus dedos el tornillo en línea recta en el orificio.
- Coloque la broca sobre el tornillo, active el destornillador y aplique presión para atornillar el tornillo.
- Una vez que el tornillo esté en su lugar, suelte el gatillo, y levante el destornillador del tornillo.
- Se podrá usar un lubricante, como jabón o cera, sobre las rosas de los tornillos para atornillar con más facilidad. Esto es particularmente importante en maderas duras.
- La combinación de brocas para orificios piloto, de paso y de avellanar están disponibles en sus casas de suministro locales, para perforar orificios en una simple operación.

CÓMO ATORNILLAR TORNILLOS AUTORROSCANTES

- Perfore un orificio piloto del tamaño correcto según lo recomendado por el fabricante del tornillo para el sujetador que se está usando.
- Instale la broca adecuada para el destornillador.
- Establezca la presión ajustando el anillo para la torsión deseada y coloque el selector de velocidad en "1", la configuración de baja velocidad.
- Ajuste el taladro para una rotación correcta.
- Coloque la broca en la cabeza del tornillo.

- Coloque el extremo del tornillo en el orificio perforado previamente, retire los dedos, active el destornillador y atornille el tornillo.
- Una vez que el tornillo esté en su lugar, suelte el gatillo, y levante el destornillador del tornillo.

CÓMO ATORNILLAR TORNILLOS PARA METALES

- Perfore y limpie orificios del tamaño correcto para el sujetador que usará.
- Comience a colocar el tornillo en el orificio con los dedos y atornille como se indica en la sección CÓMO ATORNILLAR TORNILLOS PARA MADERA.

PARA QUITAR TORNILLOS

- Configure el anillo de torsión para la torsión máxima y coloque el selector de velocidad en BAJA (LOW).
- Instale la broca adecuada para el destornillador.
- Ajuste el destornillador en rotación inversa.
- Coloque la broca en el tornillo y active el destornillador para quitar el tornillo.
- Si es posible, perfore levemente la posición donde va a taladrar primero, para evitar que la mecha del taladro patine.

Safety Instructions for Charger and Batteries

Before using battery charger, read all instructions on battery charger, battery pack, and product.

- A battery-operated tool with integral batteries or a separate battery pack must be recharged only with the specified charger for the battery. A charger that may be suitable for one type of battery may create a risk of fire when used with another battery.

⚠ DANGER

24 volts DC present at charging terminals. Do not probe with conductive objects. Danger of electrical shock or electrocution.



⚠ DANGER

If battery pack case is cracked or damaged, do not insert into charger. Danger of electrical shock or electrocution.

⚠ WARNING

Avoid body contact with grounded surfaces such as pipes, radiators, ranges, and refrigerators. There is an increased risk of electric shock if your body is grounded.



⚠ WARNING

Charger plugs must match the outlet. Never modify the plug in any way. Do not use adapter plugs with grounded outlets. Unmodified plugs and matching outlets will reduce the risk of electric shock.

⚠ WARNING

Do not abuse cord.

- Never carry charger by its cord.
 - Never pull the cord to disconnect from receptacle. Pull charger case rather than cord when disconnecting charger.
- Do not operate charger with damaged cord or plug.
 - Have a damaged or worn power cord and/or strain relief replaced immediately.
 - Do not attempt to repair power cord.
 - Make sure cord is located so that it will not be stepped on, tripped over, or otherwise subjected to damage or stress.

- Do not operate charger if it has received a sharp blow, been dropped, or otherwise damaged. Take it to a qualified serviceman.
- Do not disassemble charger or battery pack. Take it to a qualified serviceman when service or repair is required. Incorrect reassembly may result in a risk of electric shock or fire.
- Do not use an extension cord unless absolutely necessary. Use of improper extension cord could result in a risk of fire and electric shock. If an extension cord must be used, make sure:
 - That the size of the cord is at least as specified in chart titled "Minimum Wire Size (AWG) of Extension Cord for Battery Charger."
 - That the pins on plug of extension cord are the same number, size and shape as those of plug on charger.
 - That the extension cord is properly wired and in good electrical condition.
 - If an extension cord is to be used outdoors it must be marked with the suffix "W-A" or "W" following the cord type designation to indicate it is acceptable for outdoor use. For example - SJTW-A
- Unplug charger from outlet before attempting any maintenance or cleaning.
- Charge the battery pack in a well-ventilated area. Do not allow any object to cover the charger and/or battery pack while charging.
- Do not store the charger or battery pack in locations where the temperature may reach or exceed 105°F (40°C), such as a metal tool shed, or a car in the summer. This can lead to deterioration of the storage battery.
- For optimal charging of the battery pack, charge it in temperatures between 65°-75° F (18°-24°C). Do not charge the battery pack in an air temperature below 40°F (4° C), or above 105°F (40° C). Charging the battery outside of this range can adversely affect battery performance.
- Do not charge battery in damp or wet locations.
- Do not charge battery pack if it feels hot to the touch. Wait for it to cool.
- Do not expose charger to rain, snow or frost.
- Do not incinerate battery pack. It can explode in a fire.
- Battery charger is not intended for any other uses other than charging the rechargeable battery. Any other uses may result in risk of fire, electrical shock, or electrocution.
- The charger is ventilated through slots in the top and the bottom of the housing. Do not block the ventilation slots or place in a location where ventilation slots may become blocked. Intense heat and risk of fire may result.

BATTERY DISPOSAL

⚠ WARNING

Do not attempt to disassemble the battery or remove any component projecting from the battery terminals. Fire or injury may result. Prior to disposal, protect exposed terminals with heavy insulating tape to prevent shorting.

NICKEL-CADMIUM BATTERY

- If equipped with a nickel-cadmium battery, the battery must be recycled or disposed of in an environmentally sound manner. Check with your county's Public Works Department for information on recycling batteries.



| Minimum Wire Size (AWG) of Extension Cord for Battery Charger | | | | |
|---|----|----|-----|-----|
| Length of Cord in Feet | 25 | 50 | 100 | 150 |
| AWG Size of Cord | 18 | 18 | 18 | 16 |

Charging Battery

REMOVING BATTERY PACK

Before charging, remove battery pack from tool by depressing the battery release button and pulling the battery pack out of tool.

GENERAL INSTRUCTIONS

With normal use, as battery pack approaches the discharged state, you will notice a sharp drop in tool performance. When the tool is unable to perform the task at hand, it is time to recharge the battery pack. Recharging the battery pack before this condition is reached will reduce the total work life of the pack. Discharging the pack beyond this point can damage the pack.

NOTE: Battery temperature will increase during and shortly after use. Batteries may not accept a full charge if they are charged immediately after use. Do not charge battery pack if it feels hot to the touch. Wait for it to cool.

INITIAL CHARGING

Before using the drill for the first time, charge the battery fully. Depending on room temperature and line voltage, the battery should be fully charged in two (2) to four (4) hours in the charger (DG029300AV). The charge is complete when the green light is on.

CHARGING

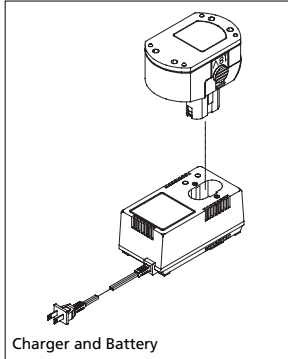
CHARGER & BATTERY

Connect the current carrying prongs on the power cord to a 120V AC 60Hz wall outlet. The charger is equipped with an LED, a red light will light up while charging. Once the battery is fully charged, a green light indicates that the charging is complete.

With normal use, the battery pack will be fully charged after about one (1) to two (2) hours. Remove the battery from the holder and unplug from wall outlet.

The battery (DG029200AV) will charge only in charger DG029300AV. Disconnect charger from power source when not in use.

IMPORTANT: THE BATTERY PACK SHOULD NOT BE LEFT ON THE CHARGER FOR MORE THAN FORTY-EIGHT (48) HOURS.



Charger and Battery

Operation

VARIABLE-SPEED TRIGGER SWITCH (some models)

If your Drill/Driver is equipped with a variable-speed trigger switch, the pressure you apply to the trigger controls the tool speed. Apply more pressure to increase the speed and release pressure to decrease speed. This accurate speed control allows you to drill without center-punching and to use the Drill/Driver as a power screwdriver. Bits are available for driving screws as well as running bolts and nuts.

FORWARD/REVERSE BUTTON

This Drill/Driver is equipped with a forward/reverse lever which is used to change the rotation of the chuck. Do not attempt to change the rotation unless the chuck is completely stopped.

NOTICE *Moving the Forward/Reverse Button while chuck is rotating can damage the tool.*

For forward rotation, firmly press in on the lever marked FWD. For reverse rotation, firmly press in on the lever marked REV.

TRIGGER LOCK

To activate trigger lock, move the forward/reverse lever so it is centered in the handle.

GEAR SHIFTING

The DG141900CD Drill/Driver is equipped with two separate gear ranges, low and high. Low gear provides high-torque and slower drilling speeds for heavy duty work or for driving screws. High gear provides faster speeds for drilling lighter work. To change speeds, slide switch to the

high or low position. Actuate trigger slightly if the gear shift does not fully engage.

Note: If Drill/Driver is running, but the chuck will not turn, check to make sure the gear shifting switch is pushed fully into desired setting.

ADJUSTABLE CLUTCH

This Drill/Driver features 15 clutch settings. Output torque will increase as the clutch ring is rotated from 1 to 8.

- 1 to 1• for driving small screws.
- 2 to 2• for driving screws into soft materials or plastics.
- 3 to 4 for driving screws into softwoods.
- 4• to 5• for medium woods.
- 6 to 7• for driving screws into medium / hard woods.
- 8 for driving screws into metal.

The "drill" position locks up the clutch to permit heavy-duty drilling and driving work. It also allows bits to be changed quickly and easily in the keyless chuck.

INSERTING BITS

Move Forward/Reverse Button to the center "Off" position. Remove battery pack (See "Charging Battery" section) and rotate the clutch ring to the drill bit symbol. Rotate the chuck sleeve counterclockwise (viewing from chuck end), and open chuck to approximate drill bit diameter. Insert a clean bit up to the drill bit flutes for small bits, or as far as it will go for large bits. Close chuck by rotating the chuck sleeve clockwise and securely tighten by hand.

CAUTION *Do not use the power of the drill to loosen or tighten bit while holding chuck. The spinning chuck will cause friction burn or hand injury.*

REMOVING CHUCK

Remove battery pack. Rotate clutch ring to drill bit symbol and open chuck all the way. Turn left-hand-threaded screw inside chuck clockwise, and remove it. Insert the short arm of a 3/8" hex key wrench and close jaws on flats of wrench.

Strike long arm of wrench sharply counterclockwise, remove wrench and unthread chuck from spindle.

INSTALLING CHUCK

To install chuck, reverse "Removing Chuck" procedure. Always keep the spindle threads, chuck threads, and securing screw free of debris.

EMBRAGUE AJUSTABLE

Este taladro/destornillador cuenta con 15 configuraciones de embrague. La torsión de salida aumentará a medida que el anillo del embrague se rote de 1 a 8. La posición "drill" (taladro) trava el embrague para permitir una perforación para trabajos pesados y para trabajar con el destornillador. También permite cambiar las brocas rápida y fácilmente en el portabroca sin llave.

- 1 a 1• para atornillar tornillos pequeños.
- 2 a 2• para atornillar tornillos en materiales blandos o plásticos.
- 3 a 4 para atornillar tornillos en maderas blandas.
- 4• a 5• para maderas medianas.
- 6 a 7• para atornillar tornillos en maderas medianas/duras.
- 8 para atornillar tornillos en metales.

CÓMO INSERTAR LAS BROCAS

Mueva el botón de avance/retroceso hacia la posición central "off" (apagado). Retire la batería (Vea la sección "Carga de la batería") y gire el aro del embrague hacia el símbolo de broca del taladro. Gire el manguito del portabroca hacia la izquierda (mirándolo desde el extremo del portabroca), y abra el portabroca aproximadamente hasta que alcance el diámetro de la broca del taladro.

Coloque una broca limpia hasta las estrías de la broca para brocas pequeñas, o hasta donde llegue para brocas grandes. Cierre el portabroca girando el manguito hacia la derecha y ajuste a mano en forma segura.

PRECAUCION *No use la corriente del taladro para aflojar ni ajustar la broca mientras sostiene el portabroca. Al girar, el portabroca podrá causar quemaduras por fricción o lesiones en la mano.*

CÓMO QUITAR EL PORTABROCA

Gire el aro del embrague hasta el símbolo de la broca del taladro y abra el portabroca por completo. Gire el tornillo con rosca a la izquierda dentro del portabroca girando hacia la derecha y quítelo. Inserte el brazo corto de una llave hexagonal de 3/8" y cierre las mordazas sobre las partes planas de la llave.

Dé un giro enérgico al brazo largo de la llave hacia la izquierda, retire la llave y desenrosque el portabroca del vástago.

CÓMO INSTALAR EL PORTABROCA

Para instalar el portabroca, haga el procedimiento detallado en "Cómo quitar el portabroca" a la inversa. Siempre mantenga las roscas del vástago, las roscas del portabroca y el tornillo sujetador libre de residuos.

PERFORACIÓN GENERAL

ADVERTENCIA

El extremo delantero del taladro/destornillador puede conducir corriente si la herramienta perfora cables con corriente dentro de la pared. PARA EVITAR CHOQUES ELÉCTRICOS ACCIDENTALES, SOSTENGA EL TALADRO/DESTORNILLADOR ÚNICAMENTE POR EL MANGO DE SUJECCIÓN SUAVE.

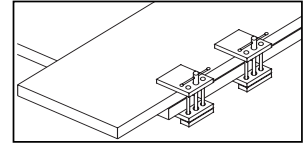


ADVERTENCIA

Se deberán usar gafas de seguridad durante la operación.



- Ajuste el anillo de torsión para la operación de perforado y ajuste el selector de velocidad en la velocidad adecuada. (Serie DG1500 solamente)
- Asegúrese de que la broca del taladro está fijada en el portabroca en forma segura.
- Configure el BOTÓN DE AVANCE/RETROCESO para rotación hacia la derecha.



PRECAUCION

Asegúrese de que el trabajo esté sujeto en forma segura en una prensa de tornillo o mordaza antes de comenzar la operación de perforado. El trabajo que está flojo puede girar y causar lesiones corporales.

- Ubique el centro exacto del orificio a ser perforado y usando un punzón, haga una pequeña muesca en el trabajo.
- Coloque la punta de la broca del taladro en la muesca hecha con el punzón, sostenga el taladro en ángulo recto con respecto al trabajo y encienda el motor.

PRECAUCION

El aplicar demasiada presión puede causar que la broca se recaliente o se quiebre, lo cual podría provocar lesiones personales o que se dañen las brocas.

Aplique presión pareja y constante para que la broca continúe cortando. Demasiada poca presión evitará que la broca corte. Eventualmente, la fricción excesiva creada por el deslizamiento sobre la superficie desafilará los bordes cortantes.

PRECAUCION

Siempre esté atento y contrarreste la acción giratoria del taladro.

- Si el taladro se ahoga o se atasca en el orificio, suelte el gatillo inmediatamente, retire del trabajo la broca de perforación y determine la causa del ahogo o el atasco.

AVISO

No apriete y suelte el gatillo en un intento por liberar un taladro ahogado o atascado. Esto puede dañar el motor.

Tamaños sugeridos de orificios para tornillos para madera

| Tamaño del tornillo | Diámetro de la broca para orif. de paso | Pilot Drill Diameter | |
|---------------------|---|----------------------|-------------|
| | | Madera blanda | Madera dura |
| #6 | 5/32 (.156) | 1/16 (.062) | 5/64 (.078) |
| #8 | 11/64 (.172) | 5/64 (.078) | 3/32 (.093) |
| #10 | 13/64 (.203) | 3/32 (.093) | 7/64 (.109) |
| #12 | 15/64 (.234) | 7/64 (.109) | 1/8 (.125) |

Instrucciones de seguridad para el cargador y las baterías (Continuación)

- El cargador de la batería no está concebido para otros usos que no sean cargar la batería recargable. Cualquier otro uso puede dar lugar a riesgo de incendio, choque eléctrico o electrocución.
- El cargador se ventila a través de las ranuras de las partes superior e inferior de la caja. No bloquee las ranuras de ventilación ni coloque la caja en un lugar donde las ranuras de ventilación puedan quedar bloqueadas. Esto puede dar lugar a calor intenso y riesgo de incendio.

CÓMO DESECHAR LA BATERÍA

ADVERTENCIA No intente desarmar la batería ni quitar ningún componente que sobresalga de las terminales de la batería. Puede provocar un incendio o lesiones. Antes de desechar la batería, proteja las terminales expuestas con cinta aisladora gruesa para evitar que se produzcan cortocircuitos.

BATERÍA DE NÍQUEL-CADMIO

- Si está equipada con una batería de níquel-cadmio, la batería debe reciclarse o desecharse de manera que no dañe el medio ambiente. Verifique con el Departamento de Obras Públicas de su condado la información sobre cómo reciclar baterías.



Cómo cargar la batería

CÓMO RETIRAR LA BATERÍA

Antes de cargar, retire la batería de la herramienta presionando el botón de liberación de la batería y tirando de la batería hacia afuera de la herramienta.

INSTRUCCIONES GENERALES

Con el uso normal, a medida que la batería se va descargando, observará una importante disminución en el rendimiento de la herramienta. Cuando la herramienta no es capaz de realizar la tarea, es hora de recargar la batería. El recargar la batería antes de llegar a esta condición reducirá la vida útil total de la misma. Descargar la batería más allá de este punto puede dañarla.

NOTA: La temperatura de la batería aumentará durante el uso y enseguida después de usarla. Es posible que las baterías no acepten una carga total si se cargan inmediatamente después de usarlas. No cargue la batería si se siente caliente al tacto. Espere a que se enfríe.

CARGA INICIAL

Antes de usar la herramienta por primera vez, cargue la batería por completo. Dependiendo de la temperatura ambiente y del voltaje de línea, la batería debería cargarse por completo en 2 (dos) a 4 (cuatro) horas con el cargador rápido DG029300AV. La carga estará completa cuando se encienda la luz verde.

CARGA

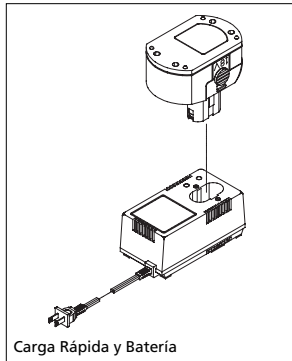
CARGADOR Y BATERÍA

Conecte las clavijas de conducción de corriente en el cable de corriente a un tomacorriente de pared de 120V CA, 60Hz. El cargador viene con un LED; se encenderá una luz roja mientras esté cargando. Una vez que la batería esté completamente cargada, una luz verde indicará que la carga está completa.

Con el uso normal, la batería estará totalmente cargada después de aproximadamente 1 (una) a 2 (dos) horas. Retire la batería del soporte y desenchufe del tomacorriente de pared.

La batería de carga DG029200AV se cargará únicamente con el cargador DG029300AV. Desconecte el cargador de la fuente de energía mientras no lo esté usando.

IMPORTANTE: LA BATERÍA NO DEBERÁ DEJARSE EN EL CARGADOR DURANTE MÁS DE 48 (CUARENTA Y OCHO) HORAS.



Carga Rápida y Batería

Funcionamiento

INTERRUPTOR DE GATILLO DE VELOCIDAD VARIABLE (algunos modelos)

Si su taladro/destornillador está equipado con un interruptor de gatillo de velocidad variable, la presión que usted aplique al gatillo controlará la velocidad de la herramienta. Aplique más presión para aumentar la velocidad y libere presión para disminuir la velocidad. Este control de velocidad preciso le permite perforar sin hacer orificios con el punzón y usar el taladro/destornillador como un destornillador a motor. Hay brocas disponibles para atornillar tornillos así como también colocar pernos y tuercas.

BOTÓN DE AVANCE/RETROCESO

Este taladro/destornillador está equipado con una palanca de avance/retroceso que se usa para cambiar la rotación de la broca. No intente cambiar la rotación a menos que la broca esté completamente detenida.

AVISO El mover el botón

de avance/retroceso mientras la broca está girando puede dañar la herramienta.

Para la rotación de avance, presione con firmeza en la palanca con la inscripción FWD. Para la rotación de retroceso, presione con firmeza en la palanca con la inscripción REV.

SEGURO DEL GATILLO

Para activar el seguro del gatillo, mueva la palanca de avance/retroceso para que quede en el centro del mango.

CAMBIO DE VELOCIDADES

El taladro/destornillador DG141900CD está equipado con dos rangos separados de velocidades, alta y baja. La posición baja proporciona torsión alta y velocidades más bajas de perforación para trabajo pesado o para atornillar tornillos. La posición alta proporciona velocidades más altas para trabajos de perforación más livianos. Para cambiar de velocidad, coloque el interruptor en la posición alta o baja. Presione apenas el gatillo si el cambio de velocidades no se engancha por completo.

Nota: Si el taladro/destornillador está funcionando, pero la broca no gira, verifique para asegurarse de que el interruptor de cambio de velocidad esté oprimido completamente en la configuración deseada.

Operation (Cont'd.)

GENERAL DRILLING

AWARNING

The front end of the Drill/Driver may be made "live" if the tool drills into live wiring in the wall. TO PREVENT ACCIDENTAL ELECTRICAL SHOCK, HOLD DRILL/DRIVER ONLY BY THE SOFT GRIP HANDLE.



AWARNING

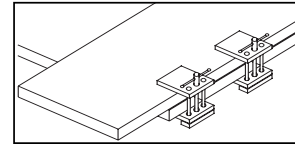
Safety glasses and ear protection must be worn during operation.



- Set torque adjusting collar for drilling operation and set speed selector to appropriate speed.
- Be sure drill bit is securely gripped in chuck.
- Set FORWARD/REVERSE BUTTON for clockwise rotation.

CAUTION

Make sure work is held securely in a vice or clamped in place prior to starting drilling operation. Loose work may spin and cause bodily injury.



- Locate exact center for hole to be drilled and using a center punch, make a small dent in work.
- Place tip of drill bit in dent made by center punch, hold drill square with work, and start the motor.

CAUTION

Applying too much pressure may cause the bit to overheat or break, resulting in bodily injury or damaged drill bits.

Apply steady, even pressure to keep drill bit cutting. Too little pressure will keep the bit from cutting. Eventually, the excessive friction created by sliding over the surface will dull the cutting edges.

CAUTION Always be alert and brace yourself against the twisting action of the drill.

- If drill stalls or becomes jammed in the hole, release trigger immediately, remove drill bit from work and determine cause of stalling or jamming.

NOTICE Do not squeeze trigger on and off in an attempt to free a stalled or jammed drill. This will damage the motor.

- The direction of rotation may be reversed to help free a jammed bit. Be sure direction of rotation is RESET before attempting to continue drilling.
- Reduce the pressure on the drill just before the bit cuts through the work to avoid splintering wood or stalling in metal.
 - When bit has completely penetrated work and is spinning freely, withdraw it from the work while the motor is still running, then turn off drill.

DRILLING WOOD

In addition to the instructions listed under GENERAL DRILLING, the following also apply:

- When using a twist drill in wood, frequently withdraw it from the hole to clear away chips which build up in the flutes. This helps prevent overheating and burning work.
- If a backing block is used to keep back of work from splintering, clamp it securely in place. If a backing block is not used with spade bits or hole saws, ease up pressure as soon as bit point breaks through work, and complete the hole from the opposite side.

DRILLING METAL

In addition to the instructions listed under GENERAL DRILLING, the following also apply:

- Use only good quality sharp high speed steel twist bits when drilling metal.

Suggested Hole Sizes For Wood Screws

| Screw Size | Shank Drill Clearance Diameter | Pilot Drill Diameter | |
|------------|--------------------------------|----------------------|-------------|
| | | Soft Wood | Hard Wood |
| #6 | 5/32 (.156) | 1/16 (.062) | 5/64 (.078) |
| #8 | 11/64 (.172) | 5/64 (.078) | 3/32 (.093) |
| #10 | 13/64 (.203) | 3/32 (.093) | 7/64 (.109) |
| #12 | 15/64 (.234) | 7/64 (.109) | 1/8 (.125) |

Operation (Cont'd.)

DRIVING SELF-TAPPING SCREWS

1. Drill pilot hole of correct size as recommended by screw manufacturer for fastener being used.
2. Install proper screwdriver bit.
3. Set torque adjusting collar for desired torque and set speed selector to "1," the low-speed setting.
4. Set drill for correct rotation.
5. Position bit in head of screw.
6. Place end of screw into pre-drilled hole, remove fingers, start drill and drive screw.
7. As soon as screw has seated, release trigger, and lift drill from screw.

DRIVING MACHINE SCREWS

1. Drill and tap correct hole size for fastener to be used.
2. Start screw in hole with fingers and drive as outlined under DRIVING WOOD SCREWS.

TO REMOVE SCREWS

1. Set torque adjusting collar for maximum torque and set speed selector to LOW.
2. Install proper screwdriver bit.
3. Set screwdriver for reverse rotation.
4. Place bit in screw and start drill to remove screw.

Maintenance

KEEP TOOL CLEAN

All plastic parts should be cleaned with a soft damp cloth. NEVER use solvents to clean plastic parts. They could very possibly dissolve or otherwise damage the material.

FAILURE TO START

Should your tool fail to start, make sure battery pack is charged and installed in drill.

BATTERY

The battery pack will discharge by itself without damage if stored for long periods of time, and may require recharging before use.

TECHNICAL SERVICE

For information regarding the operation or repair of this product, please call 1-800-424-8936.

CAUTION

Tool service

must be performed only by qualified repair personnel. Service or maintenance performed by unqualified personnel could result in a risk of injury.

For Replacement Parts or Technical Assistance, call 1-800-424-8936

| Description | Part Number |
|-------------------------------------|-------------|
| Charger – 23.4V (for 19.2V Battery) | DG029300AV |
| Battery Pack – 19.2V | DG029200AV |

Please provide following information:

- Model number
- Serial number (if any)
- Part description and number as shown in parts list

Address any correspondence to:

Campbell Hausfeld
Attn: Customer Service
100 Production Drive
Harrison, OH 45030 U.S.A.

Informaciones Generales de Seguridad (Continuación)

4. Cuidé sus herramientas. Mantenga sus herramientas para cortar afiladas y limpias. Es menos probable que las herramientas con un mantenimiento adecuado y con bordes de corte afilados se atasquen y además son más fáciles de controlar.
5. Use solamente accesorios recomendados por el fabricante de su modelo. Los accesorios apropiados para una herramienta pueden causar un riesgo de lesión cuando se usan con otra herramienta.
6. Algunas maderas contienen conservadores que pueden ser tóxicos. Tenga especial cuidado para evitar la inhalación y el contacto con la piel con estos materiales. Solicite y cumpla con toda la información de seguridad disponible por parte de su proveedor de materiales.
7. Guarde las herramientas fuera del alcance de los niños y de otras personas no capacitadas para usarlas. Las herramientas son peligrosas cuando están en manos de usuarios inexpertos.



PELIGRO

240 voltios de CC en los terminales de carga. No introduzca objetos conductores. Peligro de choque eléctrico o electrocución.



PELIGRO

Si la caja de la batería está rajada o dañada, no la introduzca en el cargador. Peligro de choque eléctrico o electrocución.



ADVERTENCIA

Evite el contacto corporal con las superficies conectadas a tierra, tales como tuberías, radiadores, cocinas eléctricas o refrigeradores. Existe un mayor riesgo de choque eléctrico si su cuerpo está conectado a tierra.



ADVERTENCIA

Los enchufes del cargador deben coincidir con el tomacorriente. Nunca modifique el enchufe de ninguna manera. No utilice enchufes adaptadores con cargadores conectados a tierra. Los enchufes no modificados y los tomacorrientes correspondientes reducirán el riesgo de choque eléctrico.

ADVERTENCIA

Trate el cable con cuidado. Nunca tome el cargador por el cable para transportarlo. Nunca tire del cable para desenchufarlo del receptáculo. Tire del enchufe en vez del cable cuando desenchufe el cargador.

2. No utilice el cargador con un cable o un enchufe dañado.
 - Haga cambiar el cable de corriente dañado o desgastado y/o el liberador de tensión inmediatamente.
 - No intente reparar el cable de corriente.
3. Asegúrese de que el cable esté ubicado de tal manera que nadie lo pise ni se tropiece con él, y que no esté sujeto de alguna otra manera a algún daño o tensión.
4. No opere el cargador si ha recibido un golpe fuerte, si se ha caído o ha sido dañado de otra manera. Llévelo a un técnico de reparación calificado.

Instrucciones de seguridad para el cargador y las baterías

Antes de usar el cargador de la batería, lea todas las instrucciones del cargador de la batería, la batería y del producto donde se usará la batería.

1. Una herramienta a batería con baterías integrales o baterías independientes deben recargarse únicamente con el cargador especificado para la batería. Un cargador apto para un tipo de batería puede provocar un riesgo de incendio cuando se usa con otra batería.

| Tamaño mínimo del cable (AWG) de extensión para el cargador de batería | 25 | 50 | 100 | 150 |
|--|----|----|-----|-----|
| Largo del cable en pies | | | | |
| Tamaño AWG del cable | 18 | 18 | 18 | 16 |

5. No desarme el cargador ni la batería. Llévelo a un técnico de reparación calificado cuando necesite servicio o reparación. El rearmado incorrecto puede dar como resultado un riesgo de choque eléctrico.
6. No use un cable de extensión a menos que sea absolutamente necesario. El uso de un cable de extensión inadecuado puede resultar en un riesgo de incendio y choque eléctrico. Si se debe usar un cable de extensión, asegúrese de que:
 - El tamaño del cable sea al menos el especificado en la tabla llamada "Tamaño mínimo del cable (AWG) de extensión para el cargador de batería."
 - Que las clavijas del enchufe del cable de extensión tengan el mismo número, tamaño y forma que las del enchufe del cargador.
 - Que el cable de extensión esté correctamente cableado y en buenas condiciones eléctricas.
 - Si el cable de extensión va a usarse en exteriores debe estar marcado con el sufijo "W-A" o "W" después de la designación del tipo de cable para indicar que es apto para usarse en exteriores. Por ejemplo: SJTW-A
7. Desenchufe el cargador del tomacorriente antes de intentar cualquier mantenimiento o limpieza.
8. Cargue la batería en un área bien ventilada. No permita que ningún objeto cubra el cargador ni la batería mientras está cargando.
9. No guarde el cargador ni la batería en lugares donde la temperatura pueda alcanzar o exceder los 105°F (40°C), como un cobertizo para herramientas de metal o un auto en verano. Esto puede provocar que la batería guardada se deteriore.
10. Para un cargado óptimo de la batería, cargue a temperaturas entre 65° y 75°F (18° y 24°C). No cargue la batería en temperaturas ambiente por debajo de los 40°F (4°C) ni por encima de los 105°F (40°C). El cargar la batería fuera de este rango puede afectar el rendimiento de la batería de manera adversa.
11. No cargue la batería en lugares mojados o húmedos.
12. No cargue la batería si se siente caliente al tacto. Espere a que se enfríe.
13. No exponga el cargador a la lluvia, nieve o heladas.
14. No incinere la batería. Puede explotar en el fuego.

Limited Warranty

1. DURATION: From the date of purchase by the original purchaser as follows: One Year.
2. WHO GIVES THIS WARRANTY (WARRANTOR): Campbell Hausfeld / Scott Fetzer Company, 100 Production Drive, Harrison, Ohio, 45030, Telephone: (800) 424-8936
3. WHO RECEIVES THIS WARRANTY (PURCHASER): The original purchaser (other than for purposes of resale) of the Campbell Hausfeld product.
4. WHAT PRODUCTS ARE COVERED BY THIS WARRANTY: Any Campbell Hausfeld cordless power tool supplied or manufactured by Warrantor.
5. WHAT IS COVERED UNDER THIS WARRANTY: Substantial defects in material and workmanship which occur within the duration of the warranty period.
6. WHAT IS NOT COVERED UNDER THIS WARRANTY:
 - A. Implied warranties, including those of merchantability and FITNESS FOR A PARTICULAR PURPOSE ARE LIMITED FROM THE DATE OF ORIGINAL PURCHASE AS STATED IN THE DURATION. If this product is used for commercial, industrial or rental purposes, the warranty will apply for ninety (90) days from the date of purchase. Some States do not allow limitation on how long an implied warranty lasts, so the above limitations may not apply to you.
 - B. ANY INCIDENTAL, INDIRECT, OR CONSEQUENTIAL LOSS, DAMAGE, OR EXPENSE THAT MAY RESULT FROM ANY DEFECT, FAILURE, OR MALFUNCTION OF THE CAMPBELL HAUSFELD PRODUCT. Some States do not allow the exclusion or limitation of incidental or consequential damages, so the above limitation or exclusion may not apply to you.
 - C. Any failure that results from an accident, purchaser's abuse, neglect or failure to operate products in accordance with instructions provided in the owner's manual(s) supplied with product. Accident, purchaser's abuse, neglect or failure to operate products in accordance with instructions shall also include the removal or alteration of any safety devices. If such safety devices are removed or altered, this warranty is void.
 - D. Normal adjustments which are explained in the owner's manual(s) provided with the product.
 - E. Items or service that are normally required to maintain the product, i.e. contacts, grips, springs, triggers or any other expendable part not specifically listed. These items will only be covered for ninety (90) days from date of original purchase.
7. RESPONSIBILITIES OF WARRANTOR UNDER THIS WARRANTY: Repair or replace, at Warrantor's option, products or components which are defective, have malfunctioned and/or failed to conform within duration of the warranty period.
8. RESPONSIBILITIES OF PURCHASER UNDER THIS WARRANTY:
 - A. Provide dated proof of purchase and maintenance records.
 - B. Use reasonable care in the operation and maintenance of the products as described in the owner's manual(s).
9. WHEN WARRANTOR WILL PERFORM REPAIR OR REPLACEMENT UNDER THIS WARRANTY: Repair or replacement will be scheduled and serviced according to the normal work flow at the servicing location, and depending on the availability of replacement parts.

This Limited Warranty applies in the United States, Canada and Mexico only and gives you specific legal rights. You may also have other rights which vary from state to state or country to country.

Ver la Garantía en página 24 para información importante sobre el uso comercial de este producto.

Manual de Instrucciones y Lista de Piezas

DG141900CD

Sírvase leer y guardar estas instrucciones. Lea con cuidado antes de tratar de armar, instalar, manejar o darle servicio al producto descrito en este manual. Protéjase Ud. y a los demás observando todas las reglas de seguridad. El no seguir las instrucciones podría resultar en heridas y/o daños a su propiedad. Guarde este manual como referencia.



Taladro / destornillador inalámbrico y cargador

Para desempacar

Al desempacar este producto, revíselo con cuidado para cerciorarse de que esté en perfecto estado

Informaciones Generales de Seguridad

Este manual contiene información que es muy importante que sepa y comprenda. Esta información se la suministramos como medida de SEGURIDAD y para EVITAR PROBLEMAS CON EL EQUIPO. Debe reconocer los siguientes símbolos.

⚠ PELIGRO Esto le indica que hay una situación inmediata que LE OCASIONARIA la muerte o heridas de gravedad.

⚠ ADVERTENCIA Esto le indica que hay una situación que PODRIA ocasionarle la muerte o heridas de gravedad.

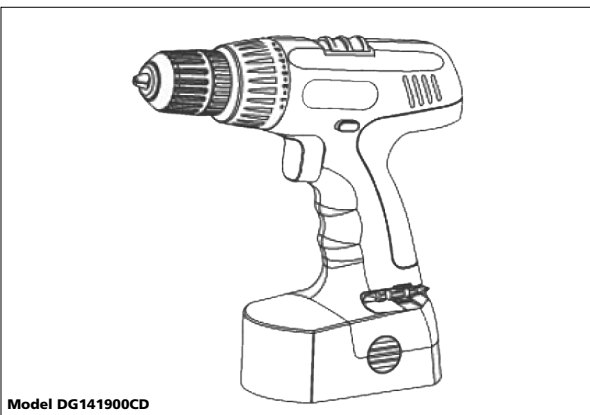
⚠ PRECAUCION Esto le indica que hay una situación que PODRIA ocasionarle heridas no muy graves.

⚠ AVISO Esto le indica una información importante, que de no seguirla, le podría ocasionar daños al equipo.

PROPOSICIÓN DE CALIFORNIA 65

⚠ PELIGRO

Quando corta lija, taladra o pule materiales como por ejemplo madera, pintura, metal, hormigón, cemento, u otro tipo de mampostería se puede producir polvo. Con frecuencia este polvo contiene productos químicos que se conocen como causantes de cáncer, defectos congénitos u otros daños reproductivos. Use equipo de protección.



Model DG141900CD

⚠ ADVERTENCIA Este producto, o su cordón eléctrico, contiene productos químicos conocidos por el estado de California como causantes de cáncer y defectos de nacimiento u otros daños reproductivos. Lave sus manos minuciosamente después de usar.

Las siguientes precauciones de seguridad se deben seguir en todo momento junto con cualquier otra norma de seguridad.

1. Lea con cuidado los manuales incluidos con este producto. Familiarícese con los controles y el uso adecuado del equipo.
2. Sólo se le debe permitir usar la sierra a aquellas personas bien familiarizadas con estas reglas de manejo seguro.



⚠ ADVERTENCIA Se deberán usar gafas de seguridad durante la operación.



3. No use vestimenta suelta, bufandas o corbatas en el área de trabajo. Las prendas sueltas pueden quedar atrapadas en las partes móviles y provocar graves lesiones personales.
4. No use alhajas al manejar herramientas. Las alhajas pueden quedar atrapadas en las partes móviles y provocar graves lesiones personales.
5. Utilice siempre los accesorios diseñados para usar con esta herramienta. No utilice accesorios dañados ni desgastados.
6. Nunca accione la herramienta si no está aplicada a un objeto de trabajo. Los accesorios deben colocarse en forma segura. Los accesorios sueltos pueden causar lesiones graves.
7. Nunca apunte una herramienta hacia usted ni hacia otra persona. Pueden ocurrir lesiones graves.
8. Utilice presión firme y pareja al usar la herramienta. No la fuerce. Demasiada presión puede provocar que la hoja se quiebre o se recaliente.

RECORDATORIO: ¡Guarde su comprobante de compra con fecha para fines de la garantía! Adjúntela a este manual o archívela en lugar seguro.

Garantia Limitada

1. DURAÇÃO: A partir da data de compra por parte do comprador original, da seguinte maneira: um ano.
 2. QUEM CONCEDE ESSA GARANTIA (O PRESTADOR DE GARANTIA): Campbell Hausfeld / Scott Fetzer Company, 100 Production Drive, Harrison, Ohio, 45030, Telefone: (800) 424-8936
 3. QUEM RECEBE ESSA GARANTIA (O COMPRADOR): O comprador original (que não seja um revendedor) do produto Campbell Hausfeld.
 4. QUAIS PRODUTOS SÃO COBERTOS POR ESSA GARANTIA: Qualquer ferramenta mecânica sem fio Campbell Hausfeld distribuída ou fabricada pelo prestador de garantia.
 5. COBERTURA DA GARANTIA: Defeitos substanciais do material e fabricação que ocorram dentro do período de validade da garantia.
 6. O QUE NÃO ESTÁ COBERTO POR ESSA GARANTIA:
 - A. Garantias implícitas, incluindo aquelas de comercialização e ADEQUAÇÃO PARA FINS PARTICULARES, ESTÃO LIMITADAS A PARTIR DA DATA ORIGINAL DE COMPRA CONFORME O PARÁGRAFO SOBRE A DURAÇÃO. Se esse produto for usado para fins comerciais, industriais ou de locação, a garantia é válida por noventa (90) dias a partir da data de compra. Em alguns estados não são permitidos limites de duração de garantias implícitas, portanto esses limites acima podem não ser aplicáveis ao seu caso.
 - B. QUALQUER PERDA, DANO OU GASTO INCIDENTAL, INDIRETO, OU CONSEQÜENTE QUE POSSA RESULTAR DE UM DEFEITO, FALHA OU MAU FUNCIONAMENTO DO PRODUTO CAMPBELL HAUSFELD. Em alguns estados não é permitida a exclusão ou limitação de danos incidentais ou conseqüentes; portanto, em tais casos essa limitação ou exclusão não é aplicável.
 - C. Qualquer falha que resulte de um acidente, abuso, negligência ou descumprimento das instruções de funcionamento e uso indicados nos manuais do usuário fornecidos com o produto. Esses acidentes, abusos por parte do comprador, negligência ou falha em operar os produtos em conformidade com as instruções também devem incluir a retirada ou alteração de quaisquer dispositivos de segurança. Se esses dispositivos de segurança forem retirados ou alterados, essa garantia torna-se cancelada.
 - D. Ajustes normais explicados no(s) manual(is) do usuário fornecido(s) com o produto.
 - E. Itens ou serviço que são normalmente necessários para a manutenção do produto, isto é, contatos, garras, molas, gatilhos ou qualquer outra peça consumível não listada especificamente. Esses itens serão cobertos somente por noventa (90) dias a partir da data de compra original.
 7. RESPONSABILIDADES DO PRESTADOR DE GARANTIAS: consertar ou substituir, segundo a decisão do prestador de garantias, os produtos ou componentes defeituosos, que tenham sido danificados ou deixaram de funcionar adequadamente durante o período de validade da garantia.
 8. RESPONSABILIDADES DO COMPRADOR SEGUNDO ESSA GARANTIA:
 - A. Fornecer prova da data de compra e os registros de manutenção do produto.
 - B. Seguir as instruções sobre operação e manutenção dos produtos conforme descrito nos manuais do usuário.
 9. QUANDO O PRESTADOR DE GARANTIAS REALIZARÃO CONCERTO OU SUBSTITUIÇÃO SEGUNDO ESSA GARANTIA: o concerto ou substituição será agendado e realizado de acordo com o fluxo normal de trabalho do centro de serviços e da disponibilidade das peças de substituição.
- Essa Garantia Limitada é válida somente nos EUA, Canadá e México e concede-lhe direitos legais específicos. Você também pode ter outros direitos que variam de um estado para outro ou de um país para outro.

Voir la Garantie à la page 16 pour de l'information importante sur l'utilisation commerciale de ce produit.

Instructions d'Utilisation et Manual de Pièces

DG141900CD

S'il vous plaît lire et conserver ces instructions. Lire attentivement avant de monter, installer, utiliser ou de procéder à l'entretien du produit décrit. Se protéger ainsi que les autres en observant toutes les instructions de sécurité, sinon, il y a risque de blessure et/ou dégâts matériels! Conserver ces instructions comme référence.



Chargeur et perceuse/ tournevis sans fil

Déballage

Lors du déballage, l'examiner soigneusement pour rechercher toute trace de dommage susceptible de s'être produit en cours de transport.

Directives De Sécurité

Ce manuel contient de l'information très importante qui est fournie pour la SÉCURITÉ et pour ÉVITER LES PROBLÈMES D'ÉQUIPEMENT. Rechercher les symboles suivants pour cette information.

▲ DANGER Danger indique une situation hasardeuse imminente qui RÉSULTERA en perte de vie ou blessures graves.

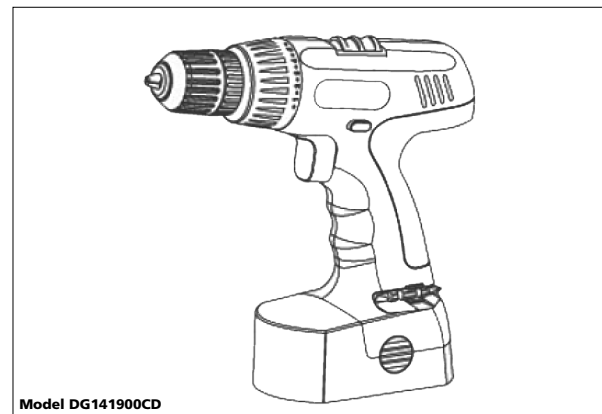
▲ AVERTISSEMENT Avertissement indique une situation hasardeuse potentielle qui PEUT résulter en perte de vie ou blessures graves.

▲ ATTENTION Attention indique une situation hasardeuse potentielle qui PEUT résulter en blessures.

AVIS Avis indique de l'information importante pour éviter le dommage de l'équipement.

PROPOSITION 65 CALIFORNIE

▲ DANGER Vous pouvez créer de la poussière en coupant, ponçant, perçant ou meulant les matériaux tels que le bois, la peinture, le métal, le béton, le ciment ou autre maçonnerie. Cette poussière contient souvent des produits chimiques reconnus pour causer le cancer, les déformations congénitales ou autres problèmes de la reproduction. Portez de l'équipement de protection.



Model DG141900CD

▲ AVERTISSEMENT Ce produit ou son cordon contient du plomb, un produit chimique qui de l'avis de l'État de Californie peut causer le cancer et des anomalies congénitales ou d'autres problèmes pour la reproduction. Se laver les mains après toute manipulation.

Les précautions de sécurité suivantes doivent être respectées en tout temps en plus de toute autre règle de sécurité actuelle.

1. Lire attentivement tous les manuels, y compris celui de ce produit. Bien se familiariser avec les commandes et l'utilisation correcte de l'équipement.
2. Seules les personnes familières avec ces règles d'utilisation sans danger devraient utiliser la scie.



▲ AVERTISSEMENT Porter des lunettes de sécurité et une protection des oreilles pendant son fonctionnement.



3. Ne pas porter de vêtements amples, de foulards ou de cravates dans l'aire de travail. Les vêtements amples pourraient se prendre dans les pièces mobiles de l'appareil et mener à de graves blessures.
4. Ne pas porter de bijoux en utilisant tout outil. Les bijoux peuvent se prendre dans les pièces mobiles et mener à de graves blessures.
5. Toujours utiliser les accessoires conçus pour cet outil. Ne pas utiliser d'accessoires endommagés ou usés.
6. Ne jamais déclencher l'outil n'est pas appliqué à un travail. Les accessoires doivent être bien attachés. Tout accessoire desserré peut provoquer de graves blessures.
7. Ne jamais pointer un outil vers soi-même ou vers toute autre personne. Des blessures graves pourraient en résulter.
8. Utiliser une pression constante et uniforme en utilisant l'outil. Ne pas forcer. Trop de pression pourrait mener au bris ou à la surchauffe de la lame.

MÉMENTO: Gardez votre preuve datée d'achat à fin de la garantie!
Joignez-la à ce manuel ou classez-la dans un dossier pour plus de sécurité.

Directives De Sécurité

(Suite)

- Garder tous les écrous, boulons et vis serrés et faire en sorte que l'équipement soit en bon état de marche.
- Ne pas mettre les mains près ou sous les pièces mobiles.

AIRE DE TRAVAIL

⚠ AVERTISSEMENT

Ne pas faire fonctionner un outil électrique dans une atmosphère explosive comme en présence de liquides, gaz ou poussières inflammables. Les outils électriques créent des étincelles qui peuvent enflammer la fumée ou la poussière.



⚠ ATTENTION

Garder l'aire de travail propre et bien éclairée. Les établis encombrés et les coins sombres attirent les accidents.

⚠ ATTENTION

Garder les spectateurs, les enfants et les visiteurs loin en utilisant un outil électrique. Les distractions peuvent faire perdre le contrôle.

SÉCURITÉ ÉLECTRIQUE

⚠ AVERTISSEMENT

Recharger cet outil à batterie seulement avec le chargeur spécifié sur la batterie. Un chargeur convenant pour un certain type de batterie peut créer un risque d'incendie lorsqu'on l'utilise avec une autre batterie.

⚠ AVERTISSEMENT

Ne pas exposer les outils électriques à la pluie ou à des conditions humides. Toute eau pénétrant dans l'outil électrique augmente le risque de choc électrique.

⚠ AVERTISSEMENT

Utiliser cet outil à batterie seulement avec le bloc-batteries spécifié. Utiliser un autre type de batterie peut créer un risque d'incendie.

⚠ AVERTISSEMENT

Éviter tout contact avec les surfaces mises à la terre telles que les tuyaux, les radiateurs, les cuisinières et les réfrigérateurs. Il y a un risque accru de choc électrique si votre corps est mis à la terre.



SÉCURITÉ PERSONNELLE

⚠ AVERTISSEMENT

Ne pas abuser de ce produit. Toute exposition excessive à la vibration, tout travail dans les positions encombrantes et les motions de travail à répétition peuvent provoquer des blessures aux mains et aux bras. Cesser d'utiliser tout outil si l'on ressent un malaise, un engourdissement, un fourmillement ou une douleur et consulter un médecin.

- Il faut rester vigilant, savoir ce qu'on fait et utiliser son sens commun en faisant fonctionner un outil électrique. Ne pas faire fonctionner l'appareil fatigué ou sous l'influence de drogues, d'alcool ou de médicaments. Un moment d'inattention en faisant fonctionner les outils électriques peut mener à des blessures graves.

⚠ ATTENTION

Éviter tout démarrage accidentel. S'assurer que l'interrupteur soit verrouillé ou en position d'arrêt (off) avant d'insérer le bloc-batteries, avant tout ajustement, avant de changer les accessoires ou ranger l'outil. Transporter les outils avec le doigt sur l'interrupteur ou insérer le bloc-batteries dans un outil avec l'interrupteur en marche invite les accidents.

- Retirer les clés à ouverture fixe ou les clés d'ajustement avant de mettre l'outil en marche. Une clé ou une clé à ouverture fixe installée sur une pièce mobile de l'outil pourrait mener à une blessure.
- Ne pas trop se pencher. Garder bon pied et bon équilibre en tout temps. Ceci permet d'avoir un meilleur contrôle de l'outil dans les situations imprévues.



- Toujours travailler dans un endroit bien ventilé. Porter des lunettes de sécurité et un masque anti-poussières homologué OSHA.

- Tenir l'outil par une surface de prise isolée en effectuant le travail lorsque l'outil pourrait entrer en contact avec un câblage caché. Un contact avec un fil « sous tension » rendra les pièces de métal exposées de l'outil « sous tension » et produira un choc pour l'opérateur.



- Garder les mains loin des pièces mobiles.
- Utiliser des pinces ou tout autre moyen pratique pour fixer le travail à une plate-forme stable. Ne jamais tenir le travail dans les mains, sur les genoux ou contre toutes parties du corps en perçant.

UTILISATION ET ENTRETIEN DE L'OUTIL

⚠ AVERTISSEMENT

Ne pas utiliser l'outil si l'interrupteur ne se met pas en marche ou ne s'éteint pas. Tout outil qui ne peut pas être contrôlé par l'interrupteur est dangereux et doit être réparé.

⚠ AVERTISSEMENT

S'assurer que l'interrupteur soit en position d'arrêt avant d'insérer le bloc-batterie. Insérer le bloc-batteries dans la scie avec l'interrupteur en marche invite les accidents.

⚠ AVERTISSEMENT

Sous des conditions d'abus, le liquide peut être éjecté de la batterie. Éviter tout contact. S'il y a un contact accidentel, rincer à l'eau. Si le liquide entre en contact avec les yeux, consulter un médecin. Le liquide expulsé de la batterie pourrait causer une irritation ou des brûlures.

- Lorsque le bloc-batteries n'est pas utilisé, garder loin de tous les objets métalliques comme les trombones, la monnaie, les clés, les clous ou les vis qui peuvent établir une connexion d'une borne à l'autre. Provoquer un court-circuit des bornes de batterie ensemble peut provoquer des étincelles, des brûlures, un incendie ou des dommages à la batterie.
- Cet outil NE peut PAS être modifié ou utilisé pour toute application autre que celle pour laquelle il a été conçu.

⚠ ATTENTION

Ne pas forcer l'outil. Utiliser le bon outil pour votre application. Le bon outil effectuera le meilleur travail sécuritaire au rythme pour lequel il a été conçu.

- Il faut entretenir les outils avec soin. Il faut garder les outils tranchants et propres. Des outils bien entretenus aux bords tranchants sont moins susceptibles de bloquer et sont plus faciles à contrôler.
- Vérifier tout mauvais alignement ou blocage de pièces mobiles, bris de pièces et toute autre condition qui pourrait affecter le fonctionnement de l'outil. Si l'outil est endommagé, le réparer avant de l'utiliser. De nombreux accidents sont causés par des outils mal entretenus.

Taille maximum Foret de perceuse

| Modèle de perceuse | Taille max. de foret |
|--------------------|----------------------|
| DG141900CD | 3/8" (.375) |

Manutenção

MANTENHA A FERRAMENTA LIMPA

Todas as peças de plástico devem ser limpas com um pano úmido macio. NUNCA use solventes para limpar as peças de plástico. Essas poderiam se dissolver ou poderiam ocorrer danos de alguma outra maneira ao material.

A FERRAMENTA NÃO FUNCIONA

Caso a ferramenta não funcione, verifique se a bateria está carregada e instalada na furadeira.

BATERIA

A bateria se descarrega por si só sem sofrer danos quando guardada por longos períodos de tempo e é possível que seja necessário recarregá-la antes do uso.

SERVIÇO TÉCNICO

Para obter informações a respeito do funcionamento ou conserto desse produto, ligue para 1-800-424-8936 (discagem gratuita nos EUA).

⚠ CUIDADO

A manutenção da ferramenta deve ser realizada somente por pessoal qualificado em consertos. O conserto ou manutenção realizado por pessoas não qualificadas pode provocar risco de lesões.

Para obter informações sobre peças de reposição ou assistência técnica, ligue para 1-800-424-8936 (discagem gratuita nos EUA)

| Descrição | Número da Peça |
|--|----------------|
| Carregador – 23.4V (para bateria de 19.2V) | DG029300AV |
| Bateria – 19.2V | DG029200AV |

Forneça as seguintes informações:
 - Número do modelo
 - Número de série (se houver)
 - Descrição e número da peça segundo a lista de peças

Envie correspondências para:
 Campbell Hausfeld
 Attn: Customer Service
 100 Production Drive
 Harrison, OH 45030 U.S.A.

Notas

Funcionamento (continuação)

- Se a furadeira parar ou emperrar no interior do orifício, solte imediatamente o gatilho, retire a broca de perfuração do trabalho e determine a causa da parada ou emperramento.

NOTA

Não aperte e solte o gatilho na tentativa de liberar uma furadeira parada ou emperrada. Isso pode danificar o motor.

- A direção da rotação pode ser invertida para ajudar a liberar uma broca emperrada. Certifique-se de REAJUSTAR a direção da rotação antes de reiniciar a furação.
- Reduza a pressão na furadeira antes que a broca corte o material, para evitar lascas de madeira ou a parada no metal.
 - Quando a broca tiver penetrado completamente o material e estiver girando livremente, retire-a da superfície trabalhada enquanto o motor ainda estiver ligado e a seguir desligue a furadeira.

COMO FURAR MADEIRA

Além das instruções enumeradas na seção PERFURAÇÃO EM GERAL, as seguintes também se aplicam:

- Ao usar uma broca helicoidal na Madeira, retire-a frequentemente do orifício para limpar as lascas que se acumulam nas ranhuras. Isso ajuda a evitar que o trabalho sofra superaquecimento ou se queime.
- Se utilizar um bloco de apoio para que a parte posterior do material a ser perfurado não se estilhece, prenda-o de forma segura no local apropriado. Se não for usado um bloco de apoio com brocas chatas ou serras tipo copo, libere a pressão através do material e complete o orifício a partir do lado oposto.

COMO FURAR METAL

Além das instruções enumeradas na seção PERFURAÇÃO EM GERAL, as seguintes também se aplicam:

- Para perfurar metais use somente brocas helicoidais de aço para alta velocidade, de boa qualidade e afiadas.
- Comece a perfurar com baixa velocidade e aumente gradualmente a velocidade à medida que a broca vai cortando. Quanto mais duro o material, menor a velocidade necessária.
- Ao perfurar um orifício grande, é mais fácil perfurar primeiro um orifício pequeno e depois aumentar até o tamanho necessário.
- O uso de lubrificante, como óleo, na ponta da furadeira ajuda a manter a broca fria, aumenta a ação de perfuração e prolonga a vida útil da broca.
- Se possível, fure inicialmente para marcar a posição da perfuração e evitar que a broca da furadeira saia do lugar.

COLOCAÇÃO DE PARAFUSOS NA MADEIRA

- Perfure o orifício piloto e os orifícios de passagem. Consulte a tabela denominada "Tamanho sugerido de orifícios para parafusos para madeira."
- Instale a ponta adequada para a chave de fendas.
- Determine a pressão ajustando o anel para o torque desejado e ajuste o seletor de velocidade para "1", a configuração de baixa velocidade.
- Ajuste a ponta para a rotação correta.
- Use os dedos para colocar o parafuso em linha reta no orifício.
- Coloque a ponta sobre o parafuso, acione a furadeira e aplique pressão para parafusar o parafuso.
- Assim que o parafuso estiver assentado, solte o gatilho e levante

a parafusadeira do parafuso.

- Um lubrificante, como sabão ou cera, pode ser usado nas roscas dos parafusos para parafusar com maior facilidade. Isso é particularmente importante em madeiras duras.
- A combinação de brocas para orifícios-piloto, broca de haste e brocas de escareamento estão disponíveis nas lojas especializadas locais para a perfuração de orifícios em uma simples operação.

COLOCAÇÃO DE PARAFUSOS AUTO-ATARRAXADORES

- Perfure um orifício-piloto de tamanho correto segundo as recomendações do fabricante do parafuso para a fixação que está sendo usada.
- Instale a ponta adequada para a parafusadeira.
- Determine a pressão ajustando o anel para o torque desejado e coloque o seletor de velocidade na posição "1", a configuração de baixa velocidade.
- Ajuste a furadeira para a rotação correta.
- Coloque a ponta na cabeça do parafuso.
- Coloque a extremidade do parafuso no orifício perfurado previamente, solte o parafuso, ligue a furadeira e parafuse o parafuso.
- Assim que o parafuso estiver assentado, solte o gatilho e levante a parafusadeira do parafuso.

COLOCAÇÃO DE PARAFUSOS EM METAIS

- Perfure orifícios de tamanho correto para o fixador que será utilizado.
- Use os dedos para colocar os parafusos nos orifícios e termine de atarraxar com a ferramenta conforme indicado na seção COLOCAÇÃO DE PARAFUSOS NA

REMOÇÃO DE PARAFUSOS

- Ajuste o anel de pressão para o torque máximo e o seletor de velocidade para BAIXA (LOW).
- Instale a ponta adequada para a parafusadeira.
- Ajuste a parafusadeira na rotação inversa.
- Coloque a ponta no parafuso e ligue a furadeira para remover o parafuso.

Directives De Sécurité (Suite)

- Utiliser seulement des accessoires recommandés par le fabricant par votre modèle. Les accessoires convenables pour un outil peuvent créer un risque de blessure lorsqu'ils sont utilisés pour un autre.
- Certains bois contiennent des agents de conservation qui pourraient être toxiques. Attention d'éviter toute inhalation et contact avec la peau en travaillant avec ces matériaux. Demander et suivre toute information de sécurité disponible du fournisseur de matériaux.
- Ranger les outils hors de portée des enfants et autres personnes non formées. Les outils sont dangereux dans les mains d'utilisateurs non formés.



Instructions de sécurité pour le chargeur et les batteries

Avant d'utiliser le chargeur de batterie, lire toutes les instructions sur le chargeur, le bloc-batteries et le produit utilisant la batterie.

- Un outil à batterie avec des batteries intégrales ou un bloc-batteries distinct doit être rechargé seulement avec le chargeur spécifié pour la batterie. Un chargeur convenant pour un certain type de batterie peut créer un risque d'incendie lorsqu'on l'utilise avec une autre batterie.

▲ DANGER

24 volts c.c. présent aux bornes de charge. Ne pas sonder avec des objets conducteurs. Risque de choc électrique ou d'électrocution.



▲ DANGER

Si le boîtier du bloc-batteries est fissuré ou endommagé, ne pas insérer dans le chargeur. Risque de choc électrique ou d'électrocution.

▲ AVERTISSEMENT

Éviter tout contact avec les surfaces mises à la terre telles que les tuyaux, les radiateurs, les cuisinières et les réfrigérateurs. Il y a un risque accru de choc électrique si votre corps est mis à la terre.



▲ AVERTISSEMENT

Les fiches du chargeur doivent s'agencer à la prise. Ne jamais modifier la fiche de quelque façon que ce soit. Ne pas utiliser de fiches d'adaptation avec les chargeurs mis à la terre. Les fiches non modifiées et prises assorties réduiront le risque de choc électrique.

▲ AVERTISSEMENT

Ne pas mal utiliser le cordon.

- Ne jamais porter le chargeur par son cordon.
 - Ne jamais débrancher le cordon en le tirant de la prise. Tirez la fiche plutôt que le cordon en débranchant le chargeur.
- Ne pas faire fonctionner le chargeur avec un cordon ou une prise endommagé(e).
 - Faire remplacer immédiatement tout cordon et/ou collier de serrage endommagé ou usé.
 - Ne pas essayer de réparer le cordon d'alimentation.
 - S'assurer que le cordon soit placé de telle manière que l'on ne puisse pas marcher dessus, trébucher ou subir des dommages ou un stress quelconque.
 - Ne pas faire fonctionner le chargeur s'il a été frappé, a été échappé ou endommagé de quelque autre façon. L'apporter à un réparateur qualifié.
 - Ne pas démonter le chargeur ou le bloc-batteries. L'apporter à un réparateur qualifié lorsqu'il doit être réparé ou entretenu. Un mauvais assemblage peut mener à un risque de choc électrique ou d'incendie.
 - Ne pas utiliser de rallonges à moins que cela ne soit absolument nécessaire. Une mauvaise utilisation de rallonge pourrait mener à un risque d'incendie ou de choc électrique. S'il faut utiliser une rallonge, s'assurer que :
 - La taille du cordon est au moins celle spécifiée sur le tableau intitulé « Taille de fil minimum (AWG) de rallonge pour le chargeur de batterie. »
 - Les broches de la fiche de la rallonge sont du même nombre, de même taille et forme que celles de la fiche du chargeur.
 - La rallonge est bien câblée et en bon état.

- Si vous utilisez une rallonge à l'extérieur, elle doit porter le suffixe « W-A » ou « W » selon la désignation du type de cordon pour indiquer s'il peut servir à l'extérieur. Par exemple - SJTW-A
- Débrancher le chargeur de la prise avant tout entretien ou nettoyage.
 - Charger le bloc-batteries dans un endroit bien ventilé. Ne pas laisser d'objet couvrir le chargeur et/ou le bloc-batteries en chargeant.
 - Ne pas ranger le chargeur ou le bloc-batteries dans des endroits où la température pourrait atteindre ou dépasser 105 °F (40 °C), comme une remise à outils de métal ou une voiture en été. Ceci peut mener à une détérioration de la batterie entreposée.
 - Pour une charge optimale du bloc-batterie, le charger dans des températures entre 18° - 24 °C (67 - 75 °F). Ne pas charger le bloc-batteries dans une température de l'air inférieure à 4 °C (40 °F) ou supérieure à 105 °C (40 °F). Changer la batterie à l'extérieur de cette plage peut avoir un effet négatif sur la performance de la batterie.
 - Ne pas charger la batterie dans des endroits humides ou mouillés.
 - Ne pas charger le bloc-batteries s'il est chaud au toucher. Attendre que l'appareil refroidisse.
 - Ne pas exposer le chargeur à la pluie, à la neige ou au gel.
 - Ne pas incinérer le bloc-batteries. Il peut exploser.
 - Le chargeur de batterie n'est pas pour des utilisations autres que la charge de batterie rechargeable. Toute autre utilisation peut mener à un risque d'incendie, de choc électrique ou d'électrocution.
 - Le chargeur est ventilé par des fentes sur le dessus et le bas de l'enceinte. Ne pas bloquer les fentes de ventilation ou placer à un endroit où les fentes de ventilation pourraient être bloquées. Une chaleur intense et un risque d'incendie pourraient en résulter.

ÉLIMINATION DE BATTERIE

▲ AVERTISSEMENT Ne pas essayer

d'ouvrir la batterie ni retirer tout composant sortant des bornes de la batterie. Cela pourrait mener à des incendies ou des blessures. Avant l'élimination, protéger les bornes exposées avec un ruban isolant lourd pour éviter les court-circuits.

| Taille minimum de fil (AWG) de rallonge pour le chargeur de batterie | | | |
|--|----|----|---------|
| Longueur de cordon en pieds | 25 | 50 | 100 150 |
| Taille AWG de cordon | 18 | 18 | 18 16 |

Instructions de sécurité pour le chargeur et les batteries (suite)

BATTERIE DE NICKEL-CADMIUM

- Si l'appareil est doté d'une batterie nickel-cadmium, la batterie doit être recyclée ou éliminée d'une manière respectueuse de l'environnement. Vérifier auprès de votre service des travaux publics pour obtenir l'information du recyclage de batteries.



Charger la batterie

RETIRER LE BLOC-BATTERIES

Avant de charger, retirer le bloc-batteries de l'outil en enfonçant le bouton de dégagement de la batterie et en sortant le bloc de l'outil.

INSTRUCTIONS GÉNÉRALES

Avec une utilisation normale, lorsque le bloc-batteries approche une décharge on remarque une chute rapide de performance de l'outil. Lorsque l'outil ne peut pas effectuer la tâche en cours, le moment est venu de recharger le bloc-batteries. Recharger le bloc-batteries avant ce point réduit la durée de vie totale du bloc-batteries. Décharger le bloc-batteries au-delà de ce point peut endommager le bloc-batteries.

REMARQUE : La température de batterie augmente pendant et un peu après l'utilisation. Les batteries pourraient ne pas accepter une charge complète si elles sont chargées immédiatement après leur utilisation. Ne pas charger le bloc-batteries s'il est chaud au toucher. Attendez que l'appareil se refroidisse.

CHARGE INITIALE

Avant d'utiliser l'outil pour la première fois, charger entièrement la batterie. Selon la température ambiante et la tension de ligne, la batterie devrait être chargée en deux (2) à quatre (4) heures dans le chargeur DG029300AV. La charge est terminée lorsque le voyant s'allume.

CHARGE

CHARGEUR ET BATTERIE

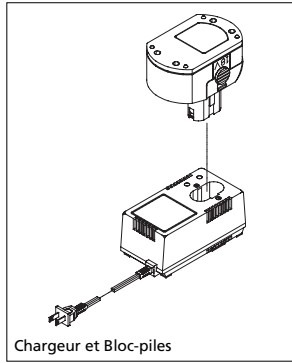
Connecter les broches transportant le courant sur le cordon d'alimentation à une prise murale de 120 V c.a. 60 Hz.

Le chargeur est doté d'une DEL, un voyant rouge s'allumera pendant la charge. Lorsque la batterie est entièrement chargée, un voyant vert indique la fin de la charge.

Avec une utilisation normale, le bloc-batteries sera entièrement chargé après environ une (1) à deux (2) heures. Retirer la batterie du support et débrancher de la prise murale.

La batterie DG029200AV se charge que dans le chargeur DG029300AV. Débrancher le chargeur de la source de courant lorsqu'il n'est pas utilisé.

IMPORTANT : LE BLOC-BATTERIES NE DOIT PAS RESTER SUR LE CHARGEUR PENDANT PLUS DE QUARANTE-HUIT (48) HEURES.



Chargeur et Bloc-piles

Fonctionnement

INTERRUPTEUR À GÂCHETTE DE VITESSE VARIABLE (certains modèles)

Si votre appareil est doté d'un interrupteur à gâchette de vitesse variable, la pression appliquée sur la gâchette contrôle la vitesse de l'outil. Appliquer plus de pression pour augmenter la vitesse et dégager la pression pour la réduire. Ce contrôle de vitesse exacte permet de percer sans pointe et d'utiliser l'appareil comme tournevis électrique. Des forets sont disponibles pour visser les vis en plus des boulons et des écrous.

BOUTON DE MARCHÉ AVANT/MARCHE ARRIÈRE

Cette perceuse/tournevis est dotée d'un levier de marche avant/marce arrière utilisé pour changer la rotation du mandrin. Ne pas essayer de changer la rotation à moins que le mandrin ne soit entièrement arrêté.

AVIS

Déplacer le

bouton de marche avant/ marche arrière tandis que le mandrin tourne peut endommager l'outil.

Pour une rotation vers l'avant, appuyer fermement sur le levier portant la mention FWD (avant). Pour une rotation vers l'arrière, appuyer fermement sur le levier portant la mention REV (arrière).

VERROU DE GÂCHETTE

Pour activer le verrou de gâchette, déplacer le levier vers l'avant/vers l'arrière pour qu'il soit centré sur la poignée.

CHANGEMENT DE VITESSES

La perceuse/tournevis DG141900CD est dotée de deux plages de vitesses distinctes, élevée et basse. La basse vitesse offre des vitesses de couple élevé et de perçage plus lent pour un travail robuste ou pour entrer les vis. La haute vitesse offre des vitesses plus rapides pour le travail plus léger. Pour changer les vitesses, glisser l'interrupteur en position élevée ou basse. Activer la gâchette un peu si la commande de vitesse n'est pas entièrement engagée.

Remarque : Si la perceuse/tournevis fonctionne, mais le mandrin ne fonctionne pas, vérifier pour faire en sorte que l'interrupteur d'engrenage soit poussé entièrement au réglage voulu.

EMBRAYAGE RÉGLABLE

Cette perceuse/tournevis comprend des 15 réglages d'embrayages. Le couple de sortie augmentera tandis que le segment d'embrayage tourne de 1 à 8. La position « perceuse » verrouille l'embrayage pour permettre un travail d'entraînement et de perçage robuste. Cette position permet aussi de changer rapidement et facilement les forets dans le mandrin auto-serrant.

- 1 à 1• pour entrer les petites vis.
- 2 à 2• pour entrer les vis dans des matériaux mous ou des plastiques.
- 3 à 4 pour entrer les vis dans des bois mous.
- 4• à 5• pour les bois moyens.
- 6 à 7• pour entrer les vis dans des bois moyens / durs.
- 8 pour entrer les vis dans le métal.

Fonctionnement (continuation)

EMBRÈGEMENT AJUSTABLE

Essa Furadeira/ Parafusadeira possui 15 ajustes de embreagem. O torque de saída aumenta à medida que o anel de embreagem é girado da posição 1 para a posição 8.

- 1 a 1• para colocar pequenos parafusos.
- 2 a 2• para colocar parafusos em materiais moles ou plásticos.
- 3 a 4 para colocar parafusos em madeiras moles.
- 4• a 5• para madeiras médias.
- 6 a 7• para colocar parafusos em madeiras médias/duras.
- 8 para colocar parafusos em metal.

A posição "drill" (furar) trava a embreagem para permitir a perfuração em trabalhos pesados e para a colocação de parafusos. Também permite trocar as brocas de maneira rápida e fácil no mandril sem chave.

INSERÇÃO DAS BROCAS E PONTAS (BITS)

Movimente o botão Avanço/Retrocesso para a posição central "Off". Retire a bateria (Consulte a seção "Carga da Bateria") e gire o anel de embreagem até o símbolo da broca da furadeira. Gire a bucha do mandril em sentido anti-horário (olhando da extremidade do mandril) e abra o mandril até aproximar-se do diâmetro da broca da furadeira. Coloque uma broca limpa até as ranhuras da broca no caso de brocas pequenas, ou até onde alcançar no caso de brocas grandes. Feche o mandril girando a bucha em sentido horário e ajuste manualmente de maneira segura.

⚠ CUIDADO

Não use

a força da furadeiras para afrouxar ou para ajustar uma broca enquanto estiver segurando o mandril. Ao girar, o mandril pode causar quemaduras por fricção ou lesões na mão.

COMO RETIRAR O MANDRIL

Retire a bateria. Gire o anel de embreagem até o símbolo da broca da furadeira e abra completamente o mandril. Gire o parafuso com rosca para a esquerda dentro do mandril girando até a direita e retire-o. Coloque o braço curto de uma chave hexagonal 3/8" e feche as castanhas sobre as partes planas da chave.

Aplice um movimento giratório brusco em sentido anti-horário sobre o braço longo da chave, retire a chave e desrosqueie o mandril da broca.

COMO INSTALAR O MANDRIL

Para instalar o mandril, faça de maneira inversa o procedimento "Como retirar o mandril". Mantenha sempre as rosças da broca, as rosças do mandril e o parafuso de fixação livre de resíduos.

PERFURAÇÃO EM GERAL

⚠ AVISO

A extremidade frontal da Furadeira/Parafusadeira pode conduzir corrente se a ferramenta perfurar cabos energizados dentro da parede. PARA EVITAR CHOQUES ELÉTRICOS ACIDENTAIS, SEGRE A FURADEIRA/PARAFUSADEIRA SOMENTE PELO CABO DE EMPUNHADURA MACIA.



⚠ AVISO

Devem ser usados óculos de segurança durante a operação.

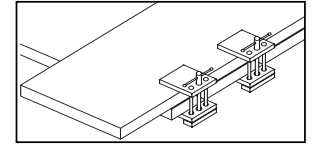


1. Ajuste o anel de torque para a operação de perfuração e ajuste o seletor de velocidade para a velocidade adequada.
2. Assegure-se de que a broca da furadeira esteja fixada de maneira segura no mandril.
3. Ajuste o BOTÃO DE AVANÇO/ RÊTROCESSO para rotação em sentido horário.

⚠ CUIDADO

Antes de

começar a perfuração, assegure-se de que o material a ser trabalhado esteja fixado de maneira segura em um torno de bancada ou preso ao local. O material solto pode girar e causar lesão corporal.



4. Localize o centro exato do orifício a ser perfurado e, usando um punção, faça um pequeno entalhe.
5. Crave a ponta da broca no entalhe feito pelo punção marcador, segure a furadeira em ângulo reto com o trabalho e acione o motor.

⚠ CUIDADO

A aplicação de pressão excessiva pode causar o superaquecimento ou quebra da broca, resultando em lesão corporal ou danos às brocas.

Aplice pressão uniforme e constante para que a broca continue cortando. A pressão excessivamente pequena impedirá que a broca corte. Ao final, o atrito excessivo criado pelo deslizamento sobre a superfície irá reduzir o corte das bordas de corte.

⚠ CUIDADO

Esteja

sempre alerta e prepare-se contra a ação giratória da furadeira.

Tamanhos sugeridos de orifícios para parafusos para madeira

| Tamanho do parafuso | Diâmetro da broca para o orifício de passagem | Diâmetro da furadeira piloto | |
|---------------------|---|------------------------------|--------------|
| | | Madeira mole | Madeira dura |
| #6 | 5/32 (.156) | 1/16 (.062) | 5/64 (.078) |
| #8 | 11/64 (.172) | 5/64 (.078) | 3/32 (.093) |
| #10 | 13/64 (.203) | 3/32 (.093) | 7/64 (.109) |
| #12 | 15/64 (.234) | 7/64 (.109) | 1/8 (.125) |

Instruções de Segurança para o Carregador e Baterias

(Continuação)

- O carregador de bateria não se destina a outros usos exceto para recarregar uma bateria recarregável. Quaisquer outros usos podem resultar em risco de incêndio, choque elétrico ou eletrocussão.
- O carregador é ventilado por meio de slots nas partes superior e inferior do corpo. Não obstrua os slots de ventilação ou coloque o carregador em local onde os slots de ventilação possam ficar obstruídos. Isso poderia resultar em aquecimento intenso e risco de incêndio.

DESCARTE DA BATERIA

AVISO

Não tente desmontar a bateria ou remover qualquer componente que se saia dos terminais da bateria. Isso pode causar incêndio ou lesões. Antes de descartar a bateria, proteja os terminais expostos com uma fita isolante reforçada para evitar que se formem curtos-circuitos.

BATERIA DE NÍQUEL-CÁDMIO

- No caso de bateria de níquel-cádmio, a bateria deve ser reciclada ou descartada de maneira que não cause danos ao meio ambiente. Verifique com o Departamento de Obras Públicas de sua região a respeito das informações sobre a reciclagem de baterias.



Como carregar a bateria

COMO RETIRAR A BATERIA

Antes de carregar, retire a bateria de dentro da ferramenta apertando o botão de liberação da bateria e puxando a bateria de dentro da ferramenta.

INSTRUÇÕES GERAIS

Com o uso normal, à medida que a bateria vai descarregando observa-se uma diminuição do desempenho da ferramenta. Quando a ferramenta estiver incapaz de realizar com facilidade o trabalho, é o momento de recarregar novamente a bateria. A recarga da bateria antes de chegar a esse ponto pode reduzir a vida útil total da mesma. O descarregamento da bateria além desse ponto pode danificá-la.

NOTA: A temperatura da bateria aumenta durante e imediatamente após o uso. As baterias podem não aceitar a carga total se forem carregadas imediatamente após o uso. Não carregue a bateria se a mesma estiver quente. Aguarde até ela esfriar.

CARGA INICIAL

Antes de usar da ferramenta a pela primeira vez, carregue totalmente a bateria. Dependendo da temperatura ambiente e da voltagem da linha, a bateria de carga deve estar completamente carregada em duas (2) a quatro (4) horas no carregador rápido DG029300AV. A carga rápida está completa quando a luz verde se acende.

CARGA

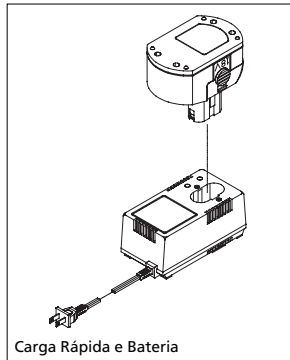
BATERIA E CARREGADOR

Conecte os pinos do cabo de alimentação a uma tomada de 120V AC 60Hz. Se o carregador possuir um LED, uma luz vermelha irá acender durante a recarga da bateria. Quando a bateria estiver completamente carregada, uma luz verde indicará que o procedimento está concluído.

Com o uso normal, a bateria estará completamente carregada após cerca de uma (1) a duas (2) horas. Remova a bateria do suporte e desconecte da tomada.

A bateria de carga DG029200AV pode ser carregada apenas no carregador DG029300AV. Desconecte o carregador da fonte de energia quando não estiver sendo usado.

IMPORTANTE: A BATERIA NÃO DEVE SER DEIXADA NO CARREGADOR POR MAIS DE QUARENTA E OITO (48) HORAS.



Carga Rápida e Bateria

Funcionamento

INTERRUPTOR DE GATILHO DE VELOCIDADE VARIÁVEL (alguns modelos)

Se a sua Furadeira/Parafusadeira estiver equipada com um interruptor de gatilho de velocidade variável, a pressão que você aplica ao gatilho controla a velocidade da ferramenta. Aplique mais pressão para aumentar a velocidade e reduza a pressão exercida para diminuir a velocidade. Esse controle preciso de velocidade permite que você perfure sem fazer orifício central e use a Furadeira/Parafusadeira como uma chave de fenda mecânica. Existem pontas (bits) de aparafusamento assim como para colocar parafusos e porcas.

BOTÃO DE AVANÇO/RETROCESSO

Essa Furadeira/Parafusadeira é equipada com uma alavanca de avanço/retrocesso usada para mudar a rotação do mandril. Não tente mudar a rotação a menos que o mandril tenha parado completamente.

NOTA

O movimento do botão Avanço / Retrocesso enquanto o mandril estiver girando pode danificar a ferramenta.

Para a rotação de avanço, pressione firmemente a alavanca identificada como FWD (avanço). Para rotação reversa, pressione firmemente a outra alavanca REV (retrocesso).

TRAVA DO GATILHO

Para ativar a trava do gatilho, movimente a alavanca avanço/retrocesso de maneira que fique centralizada no cabo.

MUDANÇA DE VELOCIDADE

A Furadeira/Parafusadeira DG141900CD é equipada com duas faixas de velocidades separadas, alta e baixa. A posição baixa proporciona alto torque e velocidades mais baixas de perfuração para trabalhos pesados e para a colocação de parafusos. A posição alta proporciona velocidades mais altas para trabalhos de perfuração mais leves. Para mudar a velocidade, coloque o interruptor na posição alta ou baixa. Pressione o gatilho levemente se a mudança de velocidade não ocorrer completamente.

Nota: se a Furadeira/Parafusadeira estiver funcionando mas o mandril não girar, verifique se o interruptor de mudança de velocidade está bem colocado na posição desejada.

Fonctionnement

(Suite)

INSÉRER LES FORETS

Mettez le bouton de marche avant/marche arrière à la position centrale « Off ». Retirez le bloc-batteries (voir la section « Charger la batterie ») et tournez le segment d'embrayage jusqu'au symbole de foret de perçage. Tournez le manchon de mandrin dans le sens contraire des aiguilles d'une montre (vue de l'extrémité du mandrin) et ouvrez le mandrin jusqu'au diamètre approximatif du foret de perçage. Insérez un foret propre jusqu'à ce que le foret de perçage soit cannelé pour les petits forets ou aussi loin que possible pour les forets larges. Fermez le mandrin en tournant le manchon de mandrin dans le sens des aiguilles d'une montre et bien serrer à la main.

ATTENTION

Ne pas utiliser le courant de la perceuse pour desserrer ou resserrer le foret en tenant le mandrin. Le mandrin tournant provoquera des brûlures de friction ou des blessures des mains.

RETIRER LE MANDRIN

Tournez le segment de mandrin jusqu'au symbole du foret de perceuse et ouvrez le mandrin jusqu'au bout. Tournez la vis fileté vers la gauche à l'intérieur du mandrin dans le sens des aiguilles d'une montre et retirez. Insérez le bras court d'une clé hexagonale de 3/8 po et fermez les mâchoires sur la partie plate de la clé.

Fraper le bras long de la clé fortement dans le sens contraire des aiguilles d'une montre, retirer la clé et désserler le mandrin de la broche.

INSTALLER LE MANDRIN

Pour installer le mandrin, inversez la procédure « Retirer le mandrin ». Toujours garder les files de la broche, les filets du mandrin et la vis de retenue libres de débris.

PERÇAGE GÉNÉRAL

AVERTISSEMENT

L'avant de la perceuse/tournevis peut se mettre « sous tension » si l'outil perce dans des fils sous tension dans le mur. POUR ÉVITER TOUT CHOC ÉLECTRIQUE ACCIDENTEL, TENIR LA PERCEUSE/TOURNEVIS SEULEMENT PAR LA POIGNÉE À PRISE SOUPLE.



AVERTISSEMENT

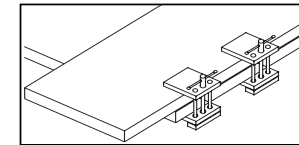
Porter des lunettes de sécurité quand l'appareil est en marche.



- Régler le collier de réglage de couple pour le perçage et régler le sélecteur de vitesse à la vitesse appropriée.
- S'assurer que le foret de perçage soit bien installé dans le mandrin.
- Régler le BOUTON DE MARCHÉ AVANT/MARCHÉ ARRIÈRE en rotation dans le sens des aiguilles d'une montre.

ATTENTION

S'assurer que le travail est bien en place dans l'étau ou pincé en place avant de commencer à percer. Le travail mal installé pourrait tourner et provoquer des blessures.



4. Trouver le centre exact pour le trou à percer et utiliser un pointeau pour faire un petit creux dans le travail.

5. Placer le bout du foret de perçage dans le creux du pointeau, tenir la perceuse à vif face au travail et démarrer.

ATTENTION

Appliquer trop de pression pourrait faire surchauffer le foret ou le casser ce qui pourrait mener à des blessures ou endommager les forets.

Appliquer une pression uniforme et constante pour que le foret continue à couper. Trop peu de pression empêchera le foret de couper. Éventuellement la friction excessive créée en glissant sur la surface émoûsura les bords de coupe.

ATTENTION

Toujours être vigilant et se caler contre l'action de torsion de perçage.

6. Si la perceuse cale ou se bloque dans le trou, dégager immédiatement la gâchette, retirer le foret de perçage du travail et déterminer la cause du blocage ou du calage.

AVIS

Ne pas presser la gâchette et la laisser aller en essayant de libérer la perceuse calée ou bloquée. Ceci endommagera le moteur.

La direction de rotation peut être inversée pour aider à libérer un foret bloqué. S'assurer que la direction de rotation est RÉINITIALISÉE avant d'essayer de continuer à percer.

7. Réduire la pression de la perceuse juste avant que le foret coupe le travail pour éviter de casser le bois ou de caler dans le métal.
8. Lorsque le foret a pénétré entièrement dans le travail et tourne librement, le retirer du travail tandis que le moteur tourne encore, puis éteindre la perceuse.

Tailles de trou suggéré pour les bis à bis

| Taille de vis | Diamètre d'écart de foret de mandrin | Diamètre de foret pilote | |
|---------------|--------------------------------------|--------------------------|-------------|
| | | Bois mou | Bois dur |
| #6 | 5/32 (.156) | 1/16 (.062) | 5/64 (.078) |
| #8 | 11/64 (.172) | 5/64 (.078) | 3/32 (.093) |
| #10 | 13/64 (.203) | 3/32 (.093) | 7/64 (.109) |
| #12 | 15/64 (.234) | 7/64 (.109) | 1/8 (.125) |

Fonctionnement

(Suite)

PERCER LE BOIS

En plus des instructions sous le PERÇAGE GÉNÉRAL, ce qui suit s'applique :

1. En utilisant un foret hélicoïdal dans le bois, le retirer souvent du trou pour retirer les copeaux qui s'accumulent dans les rainures. Ceci évite le surchauffage et la brûlure du travail.
2. Si on utilise un bloc d'endos pour empêcher le travail d'éclater, pincer bien en place. Si on n'utilise pas de bloc d'endos avec les forets à trois pointes ou les scies-cloches, laisser aller la pression dès qu'une pointe de foret se casse dans le travail et terminer le trou dans le côté opposé.

PERCER LE MÉTAL

En plus des instructions sous PERÇAGE GÉNÉRAL, ce qui suit s'applique :

1. Utiliser seulement des forets hélicoïdaux à haute vitesse pointus de bonne qualité en perçant le métal.
2. Commencer le perçage à basse vitesse et augmenter graduellement la vitesse tandis que la perceuse coupe. Plus le matériau est dur, plus la vitesse doit être plus lente. Plus le matériau est mou et plus la vitesse doit être rapide.
3. En perçant un trou large, il est plus facile de percer d'abord un trou plus petit et ensuite l'élargir à la taille requise.
4. Utiliser un lubrifiant comme huile sur la pointe du foret aide à garder le foret frais augmente l'action de perçage et prolonge la durée de vie de perçage.

ENTRAÎNER LES VIS À BOIS

1. Percer un avant-trou et des trous de dégagement de mandrin. Voir le tableau intitulé « Tailles de trou suggérées pour les vis à bois ».
2. Installer le bon foret de tournevis.
3. Régler le collier de réglage de couple au couple voulu et régler le sélecteur de vitesse à « 1 », le réglage à faible vitesse.
4. Régler la perceuse pour une bonne rotation.
5. Commencer la vis droite dans le trou avec les doigts.
6. Placer le foret sur la vis, commencer à percer et presser pour entraîner la vis.
7. Dès que la vis est installé, dégager la gâchette et soulever le tournevis de la vis.

8. Un lubrifiant, tel qu'un savon ou de la cire, peut être utilisé sur les filets de la vis pour faciliter l'entraînement. Ceci est particulièrement important pour les bois durs.
9. Une combinaison de foret pilote, de foret de mandrin et de forets fraisés sont disponibles des fournitures locales pour les trous percés en une seule opération facile.

ENTRAÎNER LES VIS AUTOTARAUDEUSES

1. Percer un avant-trou de la bonne taille recommandé par le fabricant des vis pour l'attache utilisée.
2. Installer le bon foret de tournevis.
3. Régler le collier de réglage de couple au couple voulu et régler le sélecteur de vitesse à « 1 », le réglage à faible vitesse.
4. Régler la perceuse pour une bonne rotation.
5. Placer le foret dans la tête de vis.
6. Placer l'extrémité de la vis dans le trou pré-percé, retirer les doigts, lancer la perceuse et entrer la vis.
7. Dès que la vis est installée, dégager la gâchette et soulever la perceuse de la vis.

ENTRAÎNER LES VIS À MÉTAUX

1. Percer et tarauder la bonne taille de trou pour l'attache utilisée.
2. Commencer la vis dans le trou avec les doigts et entraîner tel qu'indiqué sous la section ENTRAÎNER LES VIS À BOIS.

POUR RETIRER LES VIS

1. Régler le collier de réglage de couple au couple maximum et régler le sélecteur de vitesse à « BASSE ».
2. Installer le bon foret de tournevis.
3. Régler le tournevis pour une rotation inverse.
4. Placer le foret sur la vis et commencer la perceuse pour retirer les vis.
5. Si possible, percer la position de perçage d'abord pour éviter que le foret ne s'emballé.

Entretien

GARDER L'OUTIL PROPRE

Toutes les pièces de plastique doivent être nettoyées avec un chiffon humide souple. NE JAMAIS utiliser de solvants sur les pièces de plastique propres. Ils pourraient dissoudre ou endommager le matériau.

NE DÉMARRE PAS

Si votre outil ne démarre pas, s'assurer que le bloc-batteries est chargé et installé sur la perceuse.

BATTERIE

Le bloc-batteries se déchargera lui-même sans dommage s'il est rangé longtemps et peut exiger un rechargement avant utilisation.

SERVICE TECHNIQUE

Pour obtenir de l'information sur le fonctionnement ou la réparation de ce produit, veuillez appeler le 1-800-424-8936.

ATTENTION

Tout le travail

d'entretien et de réparation doit être effectué seulement par un personnel de réparation qualifié. L'entretien ou les réparations non effectués par un personnel qualifié pourraient mener à des blessures.

Informações Gerais de Segurança (Continuação)

3. Cuide de suas ferramentas. Mantenha as ferramentas de corte afiadas e limpas. As ferramentas mantidas adequadamente e com superfícies de corte afiadas são menos prováveis de se prenderem e são mais fáceis de controlar.
4. Verifique se as peças móveis não estão desalinhasadas ou aderidas, que não há peças quebradas, ou qualquer outro problema que possa afetar o funcionamento da ferramenta. Se estiver danificada, providencie o consento da ferramenta antes de utilizá-la. Muitos acidentes são causados por ferramentas que não possuem uma manutenção adequada.
5. Use somente acessórios recomendados pelo fabricante de seu modelo. Os acessórios apropriados para uma ferramenta podem causar risco de lesão quando usados com outra ferramenta.
6. Algumas madeiras contêm conservantes que podem ser tóxicos. Tome cuidado especial para evitar a inalação e o contato com a pele quando estiver trabalhando com esses materiais. Solicite e siga todas as informações de segurança disponíveis por parte do seu fornecedor de materiais.
7. Guarde as ferramentas fora do alcance de crianças e outras pessoas não treinadas para usá-las. As ferramentas são perigosas quando estão em mãos de usuários inexperientes.

PERIGO

24 volts DC (corrente direta) presente nos terminais de carga. Não explore com objetos condutores de corrente. Perigo de choque elétrico ou eletrocução.



PERIGO

Se a caixa da bateria estiver rachada ou danificada, não a introduza no carregador. Perigo de choque elétrico ou eletrocução.

Se a caixa da

AVISO

Evite o contato corporal com superfícies aterradas como canos, radiadores, estandes e refrigeradores. Há maior risco de choque elétrico se o seu corpo estiver aterrado.



AVISO

Os plugues

do carregador devem encaixar na tomada. De qualquer maneira, nunca modifique o plugue. Não use plugues adaptadores com carregadores aterrados. O uso de plugues não modificados e tomadas apropriadas para esses plugues reduz o risco de choque elétrico.

AVISO

Não

utilize erroneamente o cabo.

- Nunca transporte o carregador segurando pelo cabo.
 - Nunca puxe o cabo para desconectá-lo da tomada. Puxe a caixa do carregador em vez do cabo ao desconectar o carregador.
2. Não utilize o carregador com cabo ou plugue danificado.
 - Substitua imediatamente o cabo de alimentação e/ou o liberador de tensão danificado ou gasto.
 - Não tente consertar o cabo de alimentação.
 3. Assegure-se de que o cabo esteja localizado de maneira que não se pise ou tropece sobre o mesmo, e que não esteja sujeito a algum dano ou tensão.
 4. Não opere o carregador se o mesmo tiver recebido alguma pancada forte, tiver sido derrubado ou danificado de outra maneira. Leve-o a um técnico especializado em consertos.

Instruções de Segurança para o Carregador e Baterias

Antes de usar um carregador de baterias, leia todas as instruções sobre o carregador de baterias, da bateria e do produto onde a mesma será usada.

1. Uma ferramenta movida a bateria com baterias integrais ou uma bateria separada deve ser recarregada apenas com o carregador especificado para essa bateria. Um carregador adequado para um tipo de bateria pode causar risco de incêndio quando usado com outra bateria.

| Tamanho Mínimo do Cabo (AWG) de Extensão para o Carregador da Bateria | | | | |
|---|----|----|-----|-----|
| Comprimento do Cabo em pés | 25 | 50 | 100 | 150 |
| Tamanho AWG do Cabo | 18 | 18 | 18 | 16 |

5. Não desmonte o carregador ou a bateria. Leve-o a um técnico especializado em consertos quando houver a necessidade de manutenção ou conserto. A remontagem incorreta pode resultar em risco de choque elétrico ou incêndio.
6. Não use um cabo de extensão a menos que seja absolutamente necessário. O uso inadequado de um cabo de extensão pode resultar no risco de incêndio e choque elétrico. Se for necessária a utilização de um cabo de extensão, certifique-se de que:
 - O tamanho do cabo é pelo menos o especificado na tabela chamada "Tamanho mínimo do cabo (AWG) de extensão para o carregador de bateria"
 - Que os pinos no plugue do cabo de extensão sejam em mesmo número, tamanho e forma que os pinos do carregador.
 - Que o cabo de extensão esteja adequadamente cabeadado e em boas condições elétricas.
 - Se for utilizar um cabo de extensão em ambiente externo, o mesmo deve ser identificado com o sufixo "W-A" ou "W" após a designação do tipo de cabo para indicar que é aceitável para o uso em ambiente externo. Por exemplo: SJTW-A
7. Desconecte o plugue da tomada antes de realizar qualquer procedimento de manutenção ou limpeza.
8. Carregue a bateria em uma área bem ventilada. Não permita que nenhum objeto cubra o carregador e/ou a bateria enquanto estiver carregando.
9. Não guarde o carregador ou a bateria em locais onde a temperatura possa alcançar ou ultrapassar 40°C (105°F), como uma despensa para ferramentas construída em metal ou dentro do carro no verão. Isso pode levar à deterioração da bateria.
10. Para o carregamento ideal da bateria, carregue-a em temperaturas entre 18 – 24°C (65° – 75°F). Não carregue a bateria em temperatura ambiente abaixo de 4°C (40°F) ou acima de 40°C (105°F). O carregamento da bateria fora dessa faixa de temperaturas pode afetar de maneira adversa o desempenho da bateria.
11. Não carregue a bateria em locais molhados ou úmidos.
12. Não carregue a bateria se a mesma estiver quente ao tocá-la. Espere até que a mesma se esfrie.
13. Não exponha o carregador à chuva, neve ou geada.
14. Não incinere a bateria, pois a mesma pode explodir no fogo.

Informações Gerais de Segurança (continuação)

- Mantenha todos os parafusos, porcas e rosca apertados e assegure-se de que o equipamento esteja em condições seguras de trabalho.
- Não coloque as mãos próximas ou debaixo das partes em movimento.

ÁREA DE TRABALHO

AVISO

Não opere uma ferramenta elétrica em ambiente explosivo, como na presença de líquidos, gases ou poeiras inflamáveis. As ferramentas elétricas produzem faíscas que podem causar a combustão de gases ou poeiras.



CUIDADO

Mantenha a área de trabalho limpa e bem iluminada. As bancadas desorganizadas e os locais escuros propiciam os acidentes.

CUIDADO

Mantenha afastados os espectadores, crianças e visitantes enquanto estiver utilizando uma ferramenta elétrica. As distrações podem fazer com que você perca o controle.

SEGURANÇA ELÉTRICA

AVISO

Recarregue essa ferramenta movida a pilha somente com o carregador especificado para a pilha. Um carregador adequado para um tipo de pilha pode provocar risco de incêndio quando usada com outra pilha.

AVISO

Não exponha ferramentas elétricas à chuva ou condições com umidade. A entrada de água em uma ferramenta elétrica aumenta o risco de choque elétrico.

AVISO

Use essa ferramenta movida a bateria somente com a embalagem da bateria indicada. O uso de qualquer outra bateria pode provocar o risco de incêndio.

AVISO

Evite o contato corporal com superfícies aterradas como canos, radiadores, estandes e refrigeradores. Há maior risco de choque elétrico se o seu corpo estiver aterrado.



SEGURANÇA PESSOAL

AVISO

Não use esse

produto de maneira inadequada. A exposição excessiva à vibração, o trabalho em posições incômodas e os movimentos de trabalho repetitivos podem causar lesões às mãos e aos braços. Pare de usar qualquer ferramenta se ocorrer desconforto, dormência, formigamento ou dor e consulte o médico.

- Fique alerta, preste atenção no que está fazendo e use o bom senso ao utilizar uma ferramenta mecânica. Não use a ferramenta se estiver cansado ou sob o efeito de drogas, álcool ou medicação. Um momento de distração enquanto estiver utilizando ferramentas mecânicas pode resultar em graves lesões pessoais.

CUIDADO

Evite o funcionamento acidental. Certifique-se de que o interruptor esteja na posição travada antes de introduzir a bateria, fazer quaisquer ajustes, trocar os acessórios ou guardar a ferramenta. O transporte da ferramenta com o seu dedo no interruptor ou a inserção da bateria em uma ferramenta com o interruptor ligado favorece a ocorrência de acidentes.

- Remova qualquer ferramenta ou chave de ajuste antes de ligar a ferramenta elétrica. Uma chave de ajuste deixada conectada a uma parte giratória da ferramenta elétrica pode causar lesão pessoal.

- Não tente alcançar locais que estejam fora do seu alcance. Mantenha um bom suporte e equilíbrio durante todo o tempo de utilização da ferramenta. Um suporte e equilíbrio adequados permitem o melhor controle da ferramenta nas situações inesperadas.



- Trabalhe sempre em local bem ventilado. Use uma máscara contra poeira aprovada pela OSHA e óculos de segurança.

- Segure a ferramenta pela superfície de pega isolada ao realizar um trabalho em que a ferramenta pode entrar em contato com fiação oculta. Ao entrar em contato com um fio de corrente elétrica, as peças metálicas da ferramenta conduzirão a eletricidade e poderão causar um choque elétrico no usuário.



- Mantenha as mãos afastadas das peças giratórias.
- Use braçadeiras ou outros meios práticos para fixar a peça de trabalho em uma plataforma estável. Ao fazer os furos, nunca segure a peça de trabalho com a mão, no colo ou contra alguma parte do corpo.

CUIDADOS E USO DA FERRAMENTA

AVISO

Não use a

ferramenta se o interruptor não ligar e nem desligar. Qualquer ferramenta que não possa ser controlada com o interruptor é perigosa e deve ser consertada.

AVISO

Certifique-se de que o interruptor esteja desligado antes de introduzir a bateria. A inserção da bateria em uma serra com o interruptor ligado favorece a ocorrência de acidentes.

AVISO

Em

condições abusivas, pode ocorrer a ejeção de líquido da bateria. Evite o contato. Se ocorrer o contato acidental, lave com água. Se o líquido entrar em contato com os olhos, procure o médico. O líquido ejetado da bateria pode causar irritação ou queimaduras.

- Quando a bateria não estiver sendo usada, mantenha-a afastada de objetos metálicos como cliques de papel, moedas, chaves, pregos ou parafusos que podem fazer uma conexão entre os terminais. A construção de uma ponte entre os terminais da bateria pode produzir faíscas, queimaduras, incêndio ou danos à bateria.
- Essa ferramenta NÃO deve ser modificada ou usada para qualquer aplicação diferente daquela para a qual foi desenhada.

CUIDADO

Não force a

ferramenta. Use a ferramenta correta para a sua aplicação. A ferramenta correta fará um trabalho melhor e mais seguro na velocidade para a qual foi desenhada.

Tamanho Máximo das Brocas

| Modelo da Furadeira | Tamanho Máximo da Broca |
|---------------------|-------------------------|
| DG141900CD | 3/8" (.375) |

Pour Pièces de Rechange ou assistance technique, appeler 1-800-424-8936

| Description | N° de Pièce |
|--|-------------|
| Chargeur – 23.4V (pour la batterie 19.2 V) | DG029300AV |
| Bloc-piles – 19.2V | DG029200AV |

S'il vous plaît fournir l'information suivante:

- Numéro de Modèle
- Numéro de série (si présent)
- Description et numéro de la pièce

Adresser toute correspondance à
Campbell Hausfeld
Attn: Customer Service
100 Production Drive
Harrison, OH 45030 U.S.A.

Notes

Garantie Limitée

1. DURÉE: À partir de la date d'achat par l'acheteur original comme suit - Trois Ans
2. GARANTIE ACCORDÉE PAR (GARANT): Campbell Hausfeld/Scott Fetzer Company, 100 Production Drive, Harrison, Ohio, 45030, Téléphone: (800) 543-6400
3. BÉNÉFICIAIRE DE CETTE GARANTIE (ACHETEUR): L'acheteur original (sauf en cas de revente) du produit Campbell Hausfeld.
4. PRODUITS COUVERTS PAR CETTE GARANTIE: Tout outil mécanique Campbell Hausfeld fourni ou fabriqué par le garant.
5. COUVERTURE DE LA PRÉSENTE GARANTIE: Défauts de matière et de fabrication considérables qui se révèlent pendant la période de validité de la garantie.
6. LA PRÉSENTE GARANTIE NE COUVRE PAS:
 - A. Les garanties implicites, y compris celles de commercialisabilité et D'ADAPTION À UNE FONCTION PARTICULIÈRE SONT LIMITÉES À PARTIR DE LA DATE D'ACHAT INITIALE TELLE QU'INDIQUÉE DANS LA SECTION DURÉE. Si ce produit est utilisé à des fins commerciaux, industriels ou de locations, aucune garantie ne s'applique. Quelques Provinces (États) n'autorisent pas de limitations de durée pour les garanties implicites. Les limitations précédentes peuvent donc ne pas s'appliquer.
 - B. TOUT DOMMAGE, PERTE OU DÉPENSE FORTUIT OU INDIRECT POUVANT RÉSULTER DE TOUT DÉFAUT, PANNE OU MAUVAIS FONCTIONNEMENT DU PRODUIT CAMPBELL HAUSFELD. Quelques Provinces (États) n'autorisent pas l'exclusion ni la limitation des dommages fortuits ou indirects. La limitation ou exclusion précédente peut donc ne pas s'appliquer.
 - C. Toute panne résultant d'un accident, d'une utilisation abusive, de la négligence ou d'une utilisation ne respectant pas les instructions données dans le(s) manuel(s) accompagnant le produit. Un accident, l'utilisation abusive par l'acheteur, la négligence ou le manque de faire fonctionner les produits selon les instructions comprend aussi l'enlèvement ou la modification de n'importe quel appareil de sûreté. Si ces appareils de sûreté sont enlevés ou modifiés, la garantie sera annulée.
 - D. Réglages normaux qui sont expliqués dans le(s) manuel(s) d'utilisation accompagnant le produit.
7. RESPONSABILITÉS DU GARANT AUX TERMES DE CETTE GARANTIE: Réparation ou remplacement, au choix du Garant, des produits ou pièces qui se sont révélés défectueux pendant la durée de validité de la garantie.
8. RESPONSABILITÉS DE L'ACHETEUR AUX TERMES DE CETTE GARANTIE:
 - A. Fournir une preuve d'achat datée et un état d'entretien.
 - B. Livraison ou expédition du produit ou de la pièce Campbell Hausfeld au Centre De Service Autorisé Campbell Hausfeld. Taux de frais, si applicables, sont la responsabilité de l'acheteur.
 - C. Utilisation et entretien du produit avec un soin raisonnable, ainsi que le décrit le(s) manuel(s) d'utilisation.

Cette Garantie Limitée s'applique aux É.-U., au Canada et au Mexique seulement et vous donne des droits juridiques précis. L'acheteur peut également jouir d'autres droits qui varient d'une Province, d'un État ou d'un Pays à l'autre.

Veja a Garantia na página 32 para informações importantes sobre o uso comercial deste produto.

Instruções de Uso e Manual de Peças

DG141900CD

Por favor, leia e guarde essas instruções. Leia com atenção antes de tentar montar, instalar, usar ou fazer manutenção no produto descrito. Siga todas as informações de segurança para proteger a si mesmo e a outras pessoas; caso contrário, podem ocorrer lesões pessoais e danos materiais! Guarde essas instruções para futuras consultas.



Furadeira/Parafuseira a Bateria e Carregador

Desembalagem

Ao desembalar este produto, inspecione-o com cuidado para localizar danos que possam ter ocorrido durante o transporte.

Informações Gerais de Segurança

Esse manual contém informações muito importantes que você deve saber e entender. Essas informações são fornecidas para SEGURANÇA e para EVITAR PROBLEMAS COM O EQUIPAMENTO. Para ajudar a reconhecer essas informações, observe os seguintes símbolos.

▲ PERIGO

Perigo indica

uma situação de perigo iminente que, se não for evitada, resulta em morte ou lesão grave.

▲ AVISO

Aviso indica

uma situação potencialmente perigosa que, se não for evitada, pode resultar em morte ou lesão grave.

▲ CUIDADO

Cuidado indica

uma situação potencialmente perigosa que, se não for evitada, pode resultar em lesão menor ou moderada.

NOTA

Nota indica

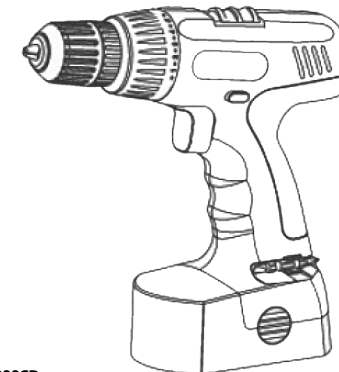
informação importante que, se não for seguida, pode causar dano ao equipamento.

PROPOSIÇÃO 65 DA CALIFÓRNIA

▲ PERIGO



As atividades de cortar, lixar, furar ou triturar materiais como madeira, tinta, metal, concreto, cimento ou outro tipo de alvenaria geram pó. Esse pó frequentemente contém substâncias químicas conhecidas por causarem câncer, defeitos congênitos ou outras lesões ao sistema reprodutor. Use equipamentos de proteção.



Model DG141900CD

▲ AVISO

Esse produto

ou o seu cabo de alimentação contém chumbo, um produto químico conhecido no Estado da Califórnia por causar câncer e defeitos congênitos ou outras lesões ao sistema reprodutor. Lave as mãos após o manuseio.

As seguintes precauções de segurança devem ser seguidas em todos os momentos juntamente com quaisquer outras normas de segurança existentes.

1. Leia com atenção todos os manuais incluídos com esse produto. Familiarize-se com os controles e o uso apropriado do equipamento.
2. Somente pessoas bem familiarizadas com essas normas de utilização segura devem ter permissão para usar a serra.



▲ AVISO



Use óculos de segurança e protetor auditivo durante a operação.

3. Não use roupas largas, cachecóis ou gravatas na área de trabalho. As roupas largas podem ficar presas nas partes em movimento e resultar em graves lesões pessoais.
4. Não use jóias ao utilizar qualquer ferramenta. As jóias podem ficar presas nas partes em movimento e resultar em graves lesões pessoais.
5. Use sempre braçadeiras projetadas para o uso com essa ferramenta. Não use braçadeiras danificadas ou gastas.
6. Nunca opere a ferramenta se a mesma não estiver em contato com um objeto de trabalho. As braçadeiras devem estar presas de maneira segura. As braçadeiras frouxas podem causar lesões graves.
7. Nunca direcione uma ferramenta para si mesmo ou para outra pessoa. Isso pode causar lesões graves.
8. Ao usar a ferramenta, use pressão constante e uniforme. Não force a ferramenta. O excesso de pressão pode fazer com que a lâmina se quebre ou se aqueça excessivamente.

LEMBRETE: Guarde o seu comprovante de compra com data para fins de garantia! Guarde-o junto com esse manual ou em outro local seguro.

Free Manuals Download Website

<http://myh66.com>

<http://usermanuals.us>

<http://www.somanuals.com>

<http://www.4manuals.cc>

<http://www.manual-lib.com>

<http://www.404manual.com>

<http://www.luxmanual.com>

<http://aubethermostatmanual.com>

Golf course search by state

<http://golfingnear.com>

Email search by domain

<http://emailbydomain.com>

Auto manuals search

<http://auto.somanuals.com>

TV manuals search

<http://tv.somanuals.com>