

CE labs can support many areas of your audio and video distribution needs.

We manufacture RF modulators, RF amplifiers, HD distribution amplifiers, and cables of all types.

See our full product line at www.celabs.net.

WARRANTY

Cable Electronics, Inc. warrants this product to be free from defects in material and workmanship, under normal use and service, for a period of one year from the purchase by the original purchaser. If this product is defective or malfunctions, Cable Electronics will replace or repair this unit (at their option) within a reasonable time. No expressed or implied warranty is made for any defects caused by immersion or exposure to liquids, abuse, neglect, improper operation of unit, excess wear and tear and defects resulting from unauthorized disassembly and or modification.

Cable Electronics, Inc.
3209 Wood Drive
Garland, Texas 75041
(469)429-9200 Fax (469)429-9205

<http://www.celabs.net>

Document: CAT5_INFO_B.cdr

Rev. B

Component Video/Audio HDTV Distribution Amplifier

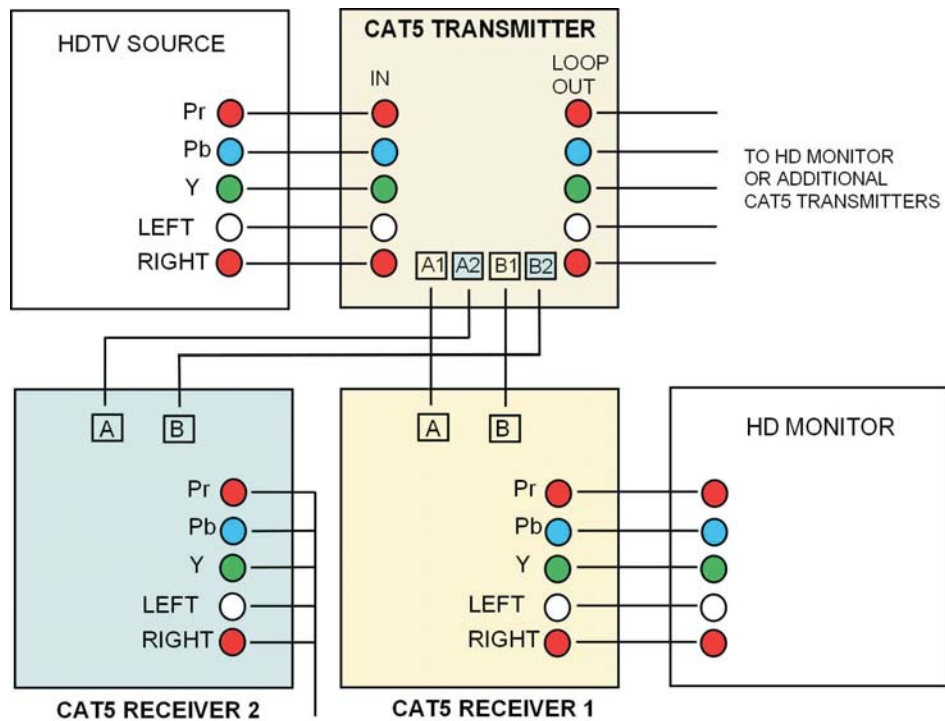
Cat 5 Distribution Hub And Receiver



Distribute a High Definition Video/Audio Source to multiple locations over extended distances using economical Cat 5 cable.

Cable Electronics, Inc.
3209 Wood Drive
Garland, Texas 75041
(469)429-9200 Fax (469)429-9205





Installation / Operation Instructions

Unpack the amplifier and power supply from each box. Place the transmitter amplifier in a dry location, usually behind the shelf where the source is located.

Connect the source device outputs to the appropriate input jacks on the CAT5TX. The loop out jacks can be used to feed a local monitor or a second transmitter if installed.

Do not connect the Loop Out cable unless it is plugged into a monitor.

Connect Cat5 cables A1 and B1 to the Transmitter RJ-45 jacks. At the other end of the same cables, connect A1 and B1 to the CAT5RX. The RCA outputs are used to connect to the remote monitor.

Insert the power supply connector into the power jacks of both units. Plug the wall transformer into a 120Vac outlet. The power LED should be on and the unit is ready to use. The CAT5RX will have 3 LEDs on to indicate continuity of the CAT5 cable. If one of the Continuity LEDs is not on, there could be a problem with the A cable. Both A and B cables should be installed for the detector to work properly.

Adjust the equalization control to the approximate length of the Cat5 cable. View the picture on the monitor and fine tune the equalization control for the most pleasing picture.

There are 1/8" mini-jacks available to allow the transport of IR signals. This requires optional external IR system.

Installation is complete.

CAT5 Distribution Hubs

The Cat5 TX has one set of RCA inputs and one set of RCA loop-thru connectors to go to the next Transmitter if installed. The unit allows any Audio/Video source, with Y, Cb, Cr, or Y, Pb, Pr Outputs (component), to distribute Audio and Video to distant locations with excellent picture quality. The amplifier also supports digital audio.

The Cat5 RX supports one monitor with component video, right and left audio, and digital audio. The RX has an adjustable equalizer to correct for the signal loss caused by long cables. An optional external IR system can be used with IR jacks.

SPECIFICATIONS

VIDEO

Nominal Input level: 1 Volt peak to peak
 Gain: 1 Volt into 75 ohms
 Input Impedance: 75 ohms
 Output Impedance: 75 ohms
 Isolation port to port: >65 dB
 Isolation out to input: >80 dB
 Return loss: >30 dB
 Video bandwidth: > 50 MHz (HDTV requires 37MHz min.)
 Distance: 300 feet @ 1080i (500 feet with Cat6 cable)



AUDIO

Analog:

Nominal Input level: 1 Volt peak to peak
 Gain: Unity (one to one)
 Input impedance: 22k ohm
 Output impedance: 1k ohm
 Frequency Response: 20Hz to 20kHz
 Signal to Noise: 80dB @ 1 Volts out

Digital:

Supports Standard SPDIF digital audio. (Not compatible with analog input signals)

POWER

Requirement: External 9 or 10 Volt AC @ 600mA with a (2.1mm center) Coaxial connector. Power Supply is included.



e-labs®
 CABLE ELECTRONICS, INC.

Free Manuals Download Website

<http://myh66.com>

<http://usermanuals.us>

<http://www.somanuals.com>

<http://www.4manuals.cc>

<http://www.manual-lib.com>

<http://www.404manual.com>

<http://www.luxmanual.com>

<http://aubethermostatmanual.com>

Golf course search by state

<http://golfingnear.com>

Email search by domain

<http://emailbydomain.com>

Auto manuals search

<http://auto.somanuals.com>

TV manuals search

<http://tv.somanuals.com>