

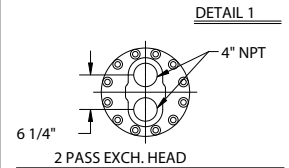
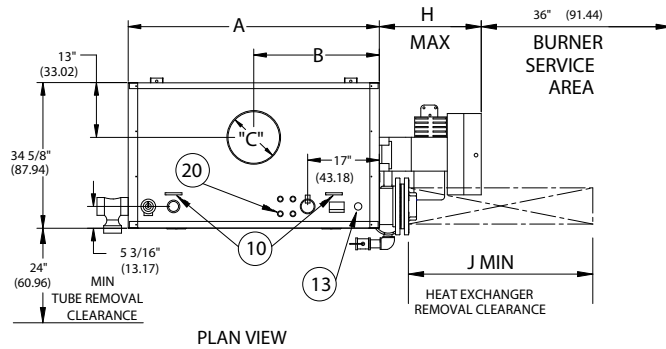
**CLM SERIES FORCED DRAFT
POOL HEATER (CLM120-CLM300)**

EFFECTIVE DATE: 7/22/03

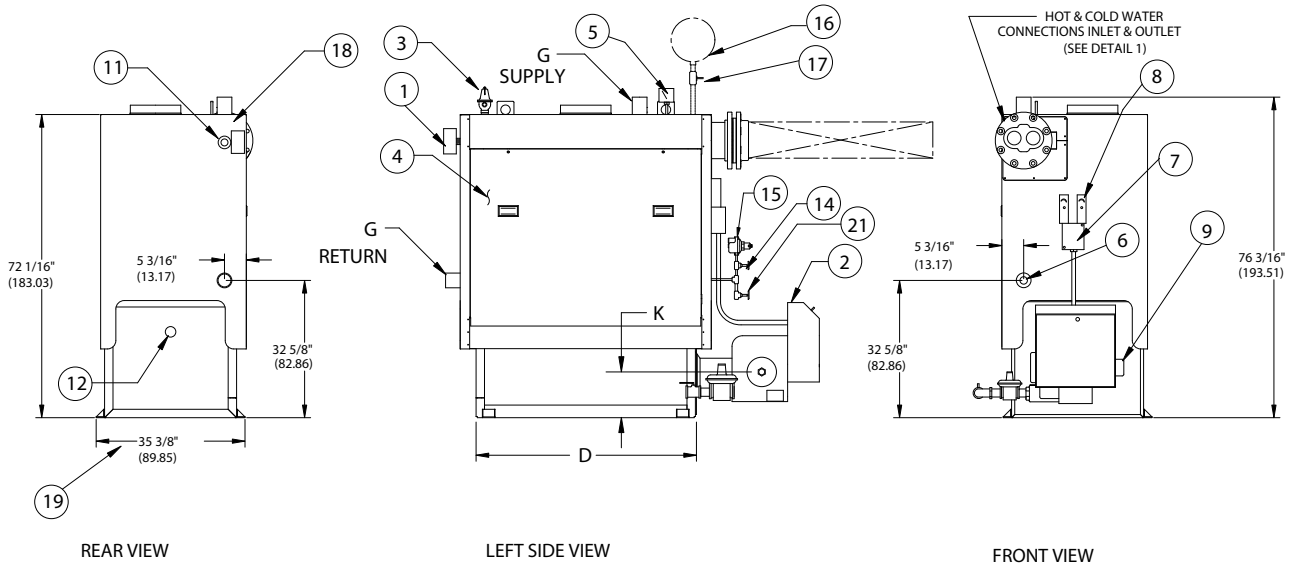
REPLACES:

NOTES:

1. ALL DIMENSIONS ARE IN INCHES THOSE IN PARENTHESES ARE CENTIMETERS.
2. LOCATION DIMENSIONS ARE ALL ±1/2".
3. GAS TRAIN AND CONTROL LOCATION WILL VARY DEPENDING ON JOB SPECIFICATIONS & CONDITIONS.
4. DIMENSIONS ARE SUBJECT TO CHANGE WITHOUT NOTICE. CONSULT FACTORY FOR CERTIFIED DIMENSIONS.
5. COIL HEAD WILL ADD 1 9/16" TO OVERALL WIDTH. AND 8 11/16" TO LENGTH.



MODEL	K
120-240	12"
270-300	15"



- | | | | |
|---|--|--|---|
| <ol style="list-style-type: none"> 1. PROBE TYPE L.W.C.O.- 2. FORCED DRAFT BURNER 3. RELIEF VALVE 4. TUBE ACCESS PANEL 5. PRESS/TEMP. GAUGE 6. CLNOUT./INSP. OPNG-1 1/2"NPT | <ol style="list-style-type: none"> 7. ELEC. ENCLOSURE- 8. AQUASTATS 9. OIL PUMP LOCATION 10. LIFTING LUG 11. CLNOUT./INSP. OPNG-1 1/4"NPT 12. FLAME OBSERVATION PORT | <ol style="list-style-type: none"> 13. 1" (2.54) EXP TANK CONN 14. STOP VALVE 15. FILL VALVE 16. EXP TANK (SHIP LOOSE) 17. 1" GATE VALVE (BY OTHERS) 18. ASME NAME PLATE | <ol style="list-style-type: none"> 19. WIDTH OVER MTG LUGS 20. CONTROL CONNECTIONS 21. DRAIN VALVE |
|---|--|--|---|

BOILER MODEL	CLM120WP	CLM150WP	CLM180WP	CLM210WP	CLM240WP	CLM270WP	CLM300WP
A-LENGTH OVER JACKET	50 11/16" (128.74)	59 11/16" (151.60)	69 1/8" (175.57)	78 3/8" (199.07)	88" (223.52)	97" (246.38)	106 5/8" (270.82)
B-FLUE LOCATION	25 5/16" (64.29)	29 13/16" (75.72)	34 9/16" (87.78)	39 3/16" (99.53)	44" (111.76)	48 1/2" (123.19)	53 5/16" (135.41)
C-FLUE DIAMETER	10" (25.40)	12" (30.48)	14" (35.56)	14" (35.56)	16" (40.64)	16" (40.64)	16" (40.64)
D-LENGTH OVER BASE	43 1/8" (109.53)	52 3/8" (133.03)	61 5/8" (156.52)	70 7/8" (180.02)	80 1/8" (203.51)	89 7/16" (219.54)	99 1/16" (251.61)
G-SUPPLY/ RETURN NOZZLE SIZE	3" (7.62)	3" (7.62)	3" (7.62)	3" (7.62)	3" (7.62)	3" (7.62)	3" (7.62)

H-BURNER EXTENSION CONSULT FACTORY FOR BURNER EXTENSION APPLICATIONS

J- HEAT EXCHANGER REMOVAL CLEARANCE	54" (137.2)	63" (160.0)	72" (185.4)	81" (205.7)	91" (231.14)	100" (254)	109" (276.86)
-------------------------------------	----------------	----------------	----------------	----------------	-----------------	---------------	------------------



BRYAN BOILERS

783 NORTH CHILI AVE
PERU, INDIANA 46970

ORDER NO.:	
ORDER REV. NO.:	
FORM NO.:	2149

CLM SERIES FORCED DRAFT POOL HEATERS

BOILER MODEL		CLM120	CLM150	CLM180	CLM210	CLM240	CLM270	CLM300
INPUT	MBH	1,200	1,500	1,800	2,100	2,400	2,700	3,000
	(KW)	351.6	439.5	527.4	615.3	703.2	791.1	879.0
OUTPUT*	MBH	960	1,200	1,440	1,680	1,920	2,160	2,400
	(KW)	281.3	351.6	421.9	492.2	562.6	632.9	703.2
BOILER HORSEPOWER	HP	29	36	43	50	57	65	72
	(KW)	281.0	351.3	421.6	491.8	562.1	632.4	702.6
TUBE DIAMETER	INCHES	1.00	1.00	1.00	1.00	1.00	1.00	1.00
	(CM)	2.54	2.54	2.54	2.54	2.54	2.54	2.54
NUMBER OF TUBES		36	45	54	63	72	81	90
PRESSURE VESSEL								
VOLUME	GAL	38	47	55	63	71	80	88
	(L)	143.8	177.9	208.2	238.5	268.7	302.8	333.1
HEATING SURFACE	SQ FT	145	180	215	251	287	322	360
	(SQ M)	13.5	16.7	20.0	23.3	26.7	29.9	33.5
DIRECT HEAT EXCHANGER		UT8F-2-xx-54	UT8F-2-xx-63	UT8F-2-xx-72	UT8F-2-xx-81	UT8F-2-xx-91	UT8F-2-xx-100	UT8F-2-xx-109
	INCHES	54	63	73	81	91	100	109
	(CM)	137.2	160.0	185.4	205.7	231.1	254.0	276.9
OPERATING WEIGHT	LBS	3,517	3,992	4,509	5,000	5,492	6,192	6,267
	(KG)	1,595.3	1,810.8	2,045.1	2,268.2	2,491.2	2,808.8	2,842.7
SHIPPING WEIGHT	LBS	3,200	3,600	4,050	4,475	4,900	5,525	5,533
	(KG)	1,451.5	1,633.0	1,837.1	2,029.9	2,222.6	2,506.1	2,509.8
RELIEF VALVE TYPICAL - 30 PSIG (206.8 KPA)								
QUANTITY		1	1	1	1	1	1	1
SIZE	INCHES	1¼ x 1½	1¼ x 1½	1½ x 2	1½ x 2	1½ x 2	2 x 2½	2 x 2½
	(CM)	3.17 x 3.81	3.17 x 3.81	3.81 x 5.08	3.81 x 5.08	3.81 x 5.08	5.08 x 6.35	5.08 x 6.35
CAPACITY-TOTAL	MBH	2,105	2,105	2,900	2,900	2,900	5,250	5,250
	(KW)	616.8	616.8	849.7	849.7	849.7	1,538.2	1,538.2
RELIEF VALVE TYPICAL - 60 PSIG (413.7 KPA)								
QUANTITY		1	1	1	1	1	1	1
SIZE	INCHES	¾ x 1	1¼ x 1½	1¼ x 1½	1¼ x 1½	1¼ x 1½	1¼ x 1½	1½ x 2
	(CM)	3.17 x 3.17	3.17 x 3.17	3.81 x 3.81	3.81 x 3.82	3.17 x 3.81	3.17 x 3.81	3.81 x 5.08
CAPACITY-TOTAL	MBH	1,566	3,560	3,560	3,560	3,560	3,560	4,907
	(KW)	458.8	1,043.1	1,043.1	1,043.1	1,043.1	1,043.1	1,437.7

* Output based on nominal 80% of input. Actual combustion efficiencies will vary and are fuel dependant.
 xx Number of tubes.

Free Manuals Download Website

<http://myh66.com>

<http://usermanuals.us>

<http://www.somanuals.com>

<http://www.4manuals.cc>

<http://www.manual-lib.com>

<http://www.404manual.com>

<http://www.luxmanual.com>

<http://aubethermostatmanual.com>

Golf course search by state

<http://golfingnear.com>

Email search by domain

<http://emailbydomain.com>

Auto manuals search

<http://auto.somanuals.com>

TV manuals search

<http://tv.somanuals.com>