

# EXTERIOR & IN-LINE BLOWER MOUNTING PLATE

## READ AND SAVE THESE INSTRUCTIONS

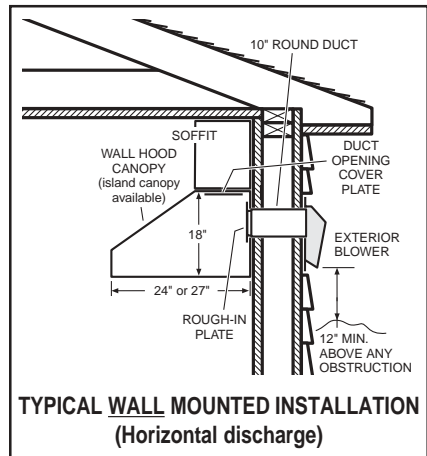
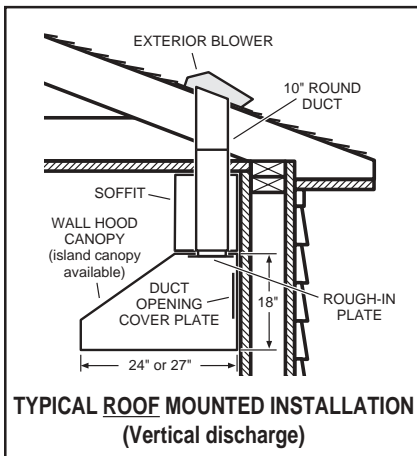
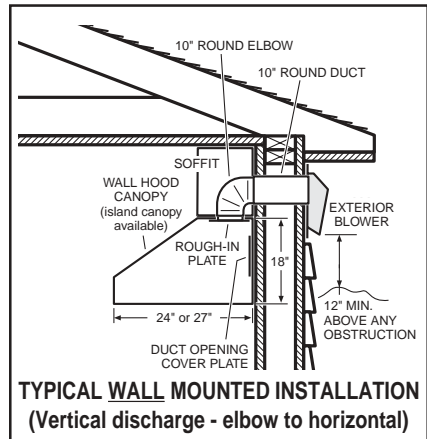
### WARNING

**TO REDUCE THE RISK OF FIRE, ELECTRICAL SHOCK, OR INJURY TO PERSONS, OBSERVE THE FOLLOWING:**

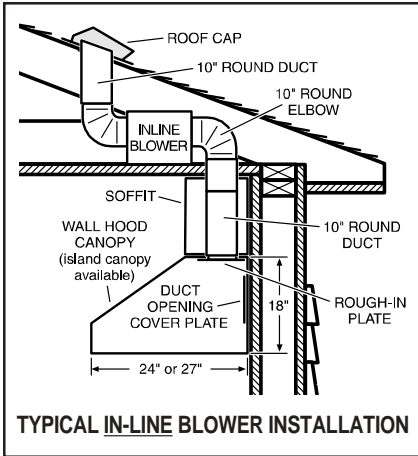
1. Use this unit only in the manner intended by the manufacturer. If you have questions, contact the manufacturer at the address or telephone number listed in the warranty.
2. Before servicing or cleaning unit, switch power off at service panel and lock service panel to prevent power from being switched on accidentally. When the service disconnecting means cannot be locked, securely fasten a prominent warning device, such as a tag, to the service panel.
3. Installation work and electrical wiring must be done by a qualified person(s) in accordance with all applicable codes and standards, including fire-rated construction codes and standards.
4. Sufficient air is needed for proper combustion and exhausting of gases through the flue (chimney) of fuel burning equipment to prevent backdrafting. Follow the heating equipment manufacturer's guideline and safety standards such as those published by the National Fire Protection Association (NFPA), and the American Society for Heating, Refrigeration and Air Conditioning Engineers (ASHRAE), and the local code authorities.
5. When cutting or drilling into wall, or ceiling, do not damage electrical wiring or other hidden utilities.
6. Ducted fans must always be vented to the outdoors.
7. To reduce risk of fire, use only metal ductwork.
8. This unit must be grounded.

### CAUTION

1. For general ventilating use only. Do not use to exhaust hazardous or explosive material and vapors.
2. To avoid motor bearing damage and noisy and/or unbalanced impellers, keep drywall spray, construction dust, etc. off power unit.
3. Your hood motor has a thermal overload which will automatically shut off the motor if it becomes overheated. The motor will restart when it cools down. If the motor continues to shut off and restart, have the hood serviced.
4. Please read specification label on product for further information and requirements.

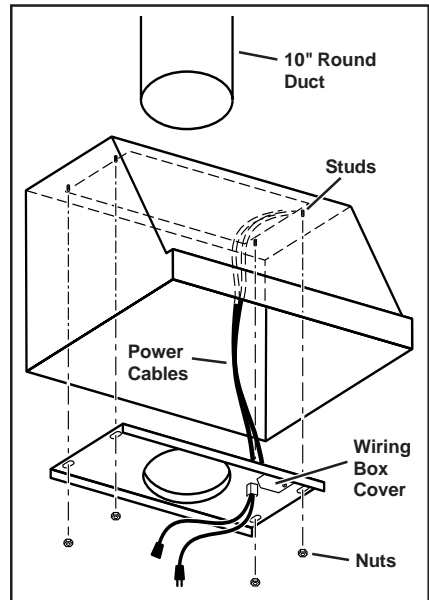


**NOTE:** Horizontal discharge requires relocation of the duct opening cover plate. See hood manual for instructions.



4. Remove **wiring box cover**. Remove knockouts from the wiring box. Feed 6" of power cable through openings and attach cables to wiring box with appropriate connectors.
5. Align **10" round duct** with collar on mounting plate. Attach plate to **studs** at top of hood with **4 nuts** provided.
6. Connect wiring following the diagram below. Connect green wires together, then beneath the green ground screw. Connect white wires together. To function properly, connect black wires only as shown.

## TYPICAL INSTALLATION



## INSTALLATION

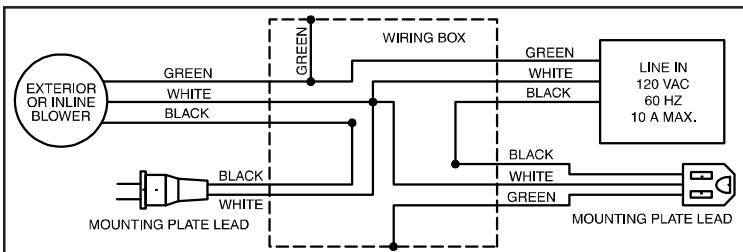
1. Run **10" round ductwork**, from exterior or in-line blower to the installation location. For best performance, use the straightest possible duct run and the fewest number of elbows. Tape all joints.

These ducting accessories are available from you dealer:

- *Model 410* - 10" round duct in 24" sections
- *Model 421* - 10" round in-line damper

2. Run 120 VAC electrical **power cables** from service panel and exterior or in-line blower to installation location.
3. Mount hood to wall following directions packed with hood.

## WIRING DIAGRAM



**Refer to your hood instructions for warranty and service information.**

## Free Manuals Download Website

<http://myh66.com>

<http://usermanuals.us>

<http://www.somanuals.com>

<http://www.4manuals.cc>

<http://www.manual-lib.com>

<http://www.404manual.com>

<http://www.luxmanual.com>

<http://aubethermostatmanual.com>

Golf course search by state

<http://golfingnear.com>

Email search by domain

<http://emailbydomain.com>

Auto manuals search

<http://auto.somanuals.com>

TV manuals search

<http://tv.somanuals.com>