

## Best-in-Class Quality Value-Line LCD TV

# OLEVIA 323V



- > Ease of Use—User Friendly OSD wheel, Store/Home modes control, color-coded Quick Start Guide, full user manual on CD-ROM
- > FutureProof™—User upgradeable firmware via USB to add features, keep current
- > Big Picture Technology™—See the entire broadcast, DVD or VHS image
- > Director's Image™—Watch programs with the rich colors and image enhancements as the director intended
- > OleviaCare™ in-house tech support/customer support
- > 23" State-of-the-Art HD-Ready LCD TV
- > PixelWorks™ DNX-Digital Natural Expression™ Video Processing
- > 1366 x 768 Resolution (16:9 Aspect Ratio)
- > 1600:1 Dynamic Contrast Ratio
- > Super Fast 8ms Response Time
- > 178-degree Ultra Wide Viewing Angle
- > RF Inputs—Standard definition TV, 480i, 480p, 720p, 1080i
- > Video Inputs—1 NTSC Tuner, HDMI, 2 component, VGA, shared S-video/composite
- > PC Input—HDMI, VGA-1360 x 768 @60 Hz
- > Vertical Speaker Position
- > Easy To Use Remote Control
- > RS-232 Control
- > Motion Adaptive Processing
- > 3:2 Pull Down
- > 3D Comb Filter
- > True De-Interlacing

## Olevia 3 Series

The Olevia 3 Series HD-Ready LCD TVs, engineered to provide best-in-class video and audio, will impress even the toughest critics. Powered by PixelWorks™ DNX™ Digital Natural Expression video processor technology, the Olevia 3 Series LCD TVs display stunningly crisp, rich and vibrant images with superior clarity for viewing high definition digital programs, standard analog TV channels, videos or games. With high contrast ratios and fast response times, rapid-action viewing such as sporting events or adventure films truly comes alive. With a super-wide 178-degree viewing angle, images look spectacular wherever you are seated. These LCD TVs are perfect for home or office viewing and can double as a computer display with support for TV resolutions up to 1080i, and PC resolutions up to 1360 x 768 through HDMI and VGA. To further enhance your experience, Olevia's surround sound audio processor creates an awesome listening environment while watching TV, movies or playing games. Once you see the new Olevia, you'll agree that you've never seen high definition TV like this!

### The Olevia 3 Series offers several cool technology features:

#### User Friendly On-Screen Display (OSD)

No hard to understand menus here! Olevia's new pictorial-based on-screen display menus are user friendly and easy to understand—they teach you what the controls actually do. Simply select from a scrolling wheel of icons including preset video and lighting modes that account for the differences in home and store environments, and content such as high definition TV, standard definition TV, DVD movies or VCR tapes.

#### Firmware upgradeable via USB

Keep the firmware of your Olevia LCD TV up-to-date and protect your investment. By simply downloading available updates from our website through Olevia's USB port, you can obtain the latest new features, software updates and image quality improvements. This assures that your Olevia LCD TV will stay current with state-of-the-art video processing technology.

#### Big Picture Technology™

See what you've been missing! Watch more of the image on your Olevia TV with up to 37% more of analog images displayed and up to 11% more digital broadcast images without distortion from image expansion.

#### Director's Image™

View what the director intended you to see with precision colors and distortion free images. Olevia LCD TVs provide calibrated 6500K color and a full range of brightness, contrast, color, tint and sharpness and mode controls for recreating image quality as it was meant to be viewed.

#### HDMI with High Definition Content Protection

Olevia LCD TVs include HDMI inputs, the preferred interface for HDTV, to provide the best in pure digital video quality.

#### OleviaCare™

We value long-term customer relationships. To best serve consumers of Olevia LCD TVs, we provide live, in-house technical support and customer support and a rich express exchange warranty service plan.



# 323V

## Olevia 23" LCD HDTV Specifications

<b>LCD Panel</b>	Type Display Area Aspect Ratio Contrast Ratio Viewing Angle Response Time	23", 1366x768 resolution 20" horizontal x 11.3" vertical 23.01" diagonal 16:9 1600:1 (Dynamic Contrast Ratio)* 178° horizontal, 178° vertical 8ms
<b>Video Input</b>	HDMI Component Input VGA Input S-Video Input AV Input RF Headphone	1 HDMI w/ HDCP, PC + Video, Plug & Play, CEA EDID Extensions 2 Component + 1 R/L RCA Audio (VGA connector accepts 2nd Component source) RGB 15 Pin D-sub with Analog EDID, PC + Video, Plug & Play, 2nd Component Input + R/L RCA Audio 1 S-Video with R/L RCA Audio (Shared w/AV Input) 1 Composite Video with R/L RCA Audio (Shared w/S-Video) NTSC Tuner Mini jack connector
<b>Audio Output</b>	Audio Output	1 R/L RCA Audio
<b>Audio</b>	Speakers	10 Watt Speakers (2X5W)
<b>Compatibility</b>	Video PC	Standard Definition and High Definition (480i, 480p, 720p, 1080i) Compatible up to 1360x768@60Hz preferred
<b>Power</b>	Voltage Consumption	100-240 (universal), 50-60Hz 110 Watts
<b>Other Feature</b>	Front Panel Remote Service Port	Power, Menu, Source, Channel up/down, volume up/down Simple Remote Control USB
<b>Additional Feature</b>	On Screen Display	Parental Control, Closed Captioning, 3:2 Pull Down, 2:2 Pull Down, 3D Comb filter, 2 Bar timers, Sleep Timer, OSD lock, OSD Lock out, Volume Limiter, Separate and Hidden IR Remote Button Command for each input, Power lock, Big Picture Technology, OSD Display Modes, Director's Image, Aspect Ratio, Linear and Panoramic Scaling, Calibrated Color and Gamma, Brightness, Contrast, Color, Tint, and Sharpness Controls, Firmware upgradeable via USB.
<b>Accessories</b>	Wall-mount Remote	VESA 100 (recommend wallmount-WM10D) Universal Remote Optional
<b>Dimensions (WxHxD)</b>	W/ Stand W/O Stand	27.1"x16.5"x8.3" 27.1"x15"x4.2"
<b>Net Weight</b>	W/ Stand W/O Stand	15.5 lbs 14.2 lbs
<b>Regulatory Approval</b>		FCC-B, UL, cUL, ICES003, CSA, Energy Star
<b>Warranty</b>		One year exchange, One year parts and labor



Front



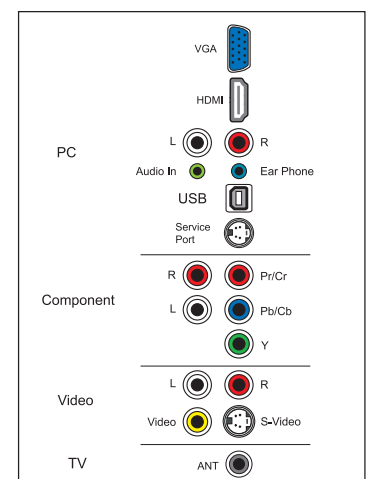
Back



Side-Right



Side-Left



Inputs

Product designs and specifications are subject to change without notice.

\*Dynamic Contrast Ratio is measured at the highest peak.



# OLEVIA

## Free Manuals Download Website

<http://myh66.com>

<http://usermanuals.us>

<http://www.somanuals.com>

<http://www.4manuals.cc>

<http://www.manual-lib.com>

<http://www.404manual.com>

<http://www.luxmanual.com>

<http://aubethermostatmanual.com>

Golf course search by state

<http://golfingnear.com>

Email search by domain

<http://emailbydomain.com>

Auto manuals search

<http://auto.somanuals.com>

TV manuals search

<http://tv.somanuals.com>