

Owner's Manual

Manual del Propietario

Manuel d'Utilisation

Questions? Help is just a moment away!
Preguntas? La ayuda es justa un momento
lejos!

Vous avez des questions? Vous n'avez pas
besoin d'aller loin pour trouver de l'aide!

Call: **Home Standby Helpline**

Llamada: **Línea Directa de Reserva de Hogar**

Appelez: **Ligne Directe de Secours À la Maison**

- 1-800-743-4115 M-F 8-5 CT

Web: www.briggsandstratton.com



6500 Rated Watts

SEMI-AUTOMATIC TRANSFER

Home Generator System



Controls by Eaton's Cutler-Hammer

NOT INTENDED FOR USE AS PRIMARY POWER IN PLACE
OF UTILITY OR IN LIFE-SUPPORT APPLICATIONS

Part No. 190732GS Rev. 0 (06/13/02)



TABLE OF CONTENTS

Safety Rules.....	2-3
Installation.....	4-7
Assembly.....	8-9
Know Your Generator.....	10
Operation.....	11-16
Product Specifications / Maintenance.....	17
Storage.....	18
Troubleshooting.....	19
Notes.....	20-21
Schematic / Wiring Diagram.....	22-25
Replacement Parts.....	26-31

EQUIPMENT DESCRIPTION

Read this manual carefully and become familiar with your generator. Know its applications, its limitations and any hazards involved.

Congratulations on your purchase of a Briggs & Stratton Home Generator System (HGS). Your HGS was designed to provide automatic auxiliary electrical power for the duration of normal power interruption. It is not intended for use as primary power in place of utility nor for use in life-support applications. The generator unit has been engineered and tested to exacting standards of performance and reliability and is equipped with an UL® listed Semi-Automatic Power Transfer Switch.

CAUTION! Do Not exceed the generator's wattage/ampere capacity. See "Don't Overload the Generator" on page 14.

Every effort has been made to ensure that information in this manual is accurate and current. However, Briggs and Stratton reserves the right to change, alter or otherwise improve the product and this document at any time without prior notice.

The Emission Control System for this generator is warranted for standards set by the Environmental Protection Agency. For warranty information refer to the engine owner's manual.

SAFETY RULES

The safety alert symbol (▲) is used with a signal word (DANGER, CAUTION, WARNING), a pictorial and/or a safety message to alert you to hazards. **DANGER** indicates a hazard which, if not avoided, will result in death or serious injury. **WARNING** indicates a hazard which, if not avoided, could result in death or serious injury. **CAUTION** indicates a hazard which, if not avoided, might result in minor or moderate injury. **CAUTION**, when used **without** the alert symbol, indicates a situation that could result in equipment damage. Follow safety messages to avoid or reduce the risk of injury or death.

▲ WARNING

The engine exhaust from this product contains chemicals known to the State of California to cause cancer, birth defects, or other reproductive harm.

▲ DANGER



Running generator gives off carbon monoxide, an odorless, colorless, poison gas. Breathing carbon monoxide will cause nausea, fainting or death.

- Operate generator ONLY outdoors.
- Keep at least 2 feet of clearance on all sides of generator for adequate ventilation.
- Do not operate generator inside any building or enclosure, including the generator compartment of a recreational vehicle (RV).

▲ DANGER



Failure to properly ground generator can result in electrocution, especially when the unit is equipped with a wheel kit.

- When operated as a stand-alone generator, the National Electric Code requires this unit to be properly grounded to an approved earth ground. Call an electrician for local grounding requirements.

▲ DANGER





Generator produces powerful voltage. Failure to isolate generator from power utility can result in death or injury to electric utility workers due to backfeed of electrical energy.

- When using generator for backup power, notify utility company.
- Use a ground fault circuit interrupter (GFCI) in any damp or highly conductive area, such as metal decking or steel work.
- In case of an accident caused by electrical shock, immediately shut down the source of electrical power. If this is not possible, attempt to free the victim from the live conductor. **Avoid direct contact with the victim.** Use a non-conducting implement, such as a rope or board to free the victim from the live conductor. If the victim is unconscious, apply first aid and get immediate medical help.
- Do not touch bare wires or receptacles.
- Do not use generator with electrical cords which are worn, frayed, bare or otherwise damaged.
- Do not operate generator in the rain.
- Do not handle generator or electrical cords while standing in water, while barefoot, or while hands or feet are wet.
- Do not allow unqualified persons or children to operate or service generator.



WARNING
NOT INTENDED FOR USE AS PRIMARY POWER IN PLACE OF UTILITY OR IN LIFE-SUPPORT APPLICATIONS

WARNING
 Gasoline and its vapors are extremely flammable and explosive.
 Fire or explosion can cause severe burns or death.

WHEN ADDING FUEL

- Turn generator OFF and let it cool at least 2 minutes before removing gas cap. Loosen cap slowly to relieve pressure in tank.
- Fill fuel tank outdoors.
- Do not overfill tank. Allow space for fuel expansion.
- Keep gasoline away from sparks, open flames, pilot lights, heat, and other ignition sources.
- Do not light a cigarette or smoke.

WHEN OPERATING EQUIPMENT



- Do not tip engine or equipment at angle which causes gasoline to spill.

WHEN TRANSPORTING OR REPAIRING EQUIPMENT


- Transport/repair with fuel tank EMPTY or with fuel shutoff valve OFF.
- Disconnect spark plug wire.

WHEN STORING GASOLINE OR EQUIPMENT WITH FUEL IN TANK

- Store away from furnaces, stoves, water heaters, clothes dryers or other appliances that have pilot light or other ignition source because they can ignite gasoline vapors.

DANGER
 Storage batteries give off explosive hydrogen gas during recharging.
Hydrogen gas stays around battery for a long time after battery has been charged.
Slightest spark will ignite hydrogen and cause explosion.
You can be blinded or severely injured.
 Battery electrolyte fluid contains acid and is extremely caustic.
Contact with battery fluid will cause severe chemical burns.

- Do not allow any open flame, spark, heat, or lit cigarette during and for several minutes after charging a battery.
- Wear protective goggles, rubber apron, and rubber gloves.

WARNING
 Running engines produce heat. Temperature of muffler and nearby areas can reach or exceed 150°F (65°C).
Severe burns can occur on contact.

- Do not touch hot surfaces.
- Allow equipment to cool before touching.

CAUTION
Excessively high operating speeds increase risk of injury and damage to generator.
Excessively low speeds impose a heavy load.

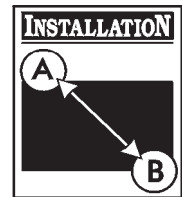
- Do not tamper with governed speed. Generator supplies correct rated frequency and voltage when running at governed speed.
- Do not modify generator in any way.

CAUTION
Exceeding generators wattage/ampere capacity can damage generator and/or electrical devices connected to it.

- See "Don't Overload Your Generator" on page 14.
- Start generator and let engine stabilize before connecting electrical loads.
- Connect electrical loads in OFF position, then turn ON for operation.
- Turn electrical loads OFF and disconnect from generator before stopping generator.

CAUTION
Improper treatment of generator can damage it and shorten its life.

- Use generator only for intended uses.
- If you have questions about intended use, ask dealer or contact Briggs and Stratton.
- Operate generator only on level surfaces.
- Do not expose generator to excessive moisture, dust, dirt, or corrosive vapors.
- Do not insert any objects through cooling slots.
- If connected devices overheat, turn them off and disconnect them from generator.
- Shut off generator if:
 - electrical output is lost;
 - equipment sparks, smokes, or emits flames;
 - unit vibrates excessively.



INTRODUCTION

Briggs and Stratton has made every effort to provide for a safe, streamlined and cost-effective installation. Because each installation is unique, it is impossible to know of and advise the trade of all conceivable procedures and methods by which installation might be achieved. Neither could we know of possible hazards and/or the results of each method or procedure. For these reasons,

Only current qualified electrical contractors should attempt HGS Installations. Installations must strictly comply with all applicable codes, industry standards and regulations.

Your Briggs & Stratton Home Generator System is supplied with this "Owners Manual" and a separate "Installation Manual" (part number 190854). These are both important documents and should be retained by the owner after the installation has been completed.



WARNING! Per National Electric Code, connection of a generator to any electrical circuit normally powered by an electric utility must be by means of approved transfer switch equipment so as to isolate the electrical circuit from the utility distribution system when the generator is operating. Failure to isolate the electrical circuits by such means may result in injury or death to utility power workers due to backfeed of electrical energy.

The semi-automatic transfer switch is suitable for use in accordance with Article 702 of the National Electric Code, ANSI/NFPA 70. This switch is suitable for use on a circuit capable of delivering not more than 10000A RMS, symmetrical current, 120/240V, when installed on the load side of appropriate branch circuit. For indoor use only. The connection box is a NEMA type 3R, intended for outdoor use.

Installation Assistance

For the Home or Business Owner:

To help you make informed choices and communicate effectively with your installation contractor(s),

Read and understand the Owner Orientation Section of this manual BEFORE contracting or starting your HGS installation.

To arrange for proper installation, contact the store at which you purchased your Briggs & Stratton Home Generator System, your dealer, or your utility power provider.

The HGS Warranty is VOID unless the system is installed by certified electrical professionals.

For the Installing Dealer/Contractor:

For most applications, the Installation Manual contains all the information required to properly install and start the Home Generator System. This Owner's Manual describes essential circuit selection, routine operation and owner maintenance procedures.

If you need more information, call 1-800-743-4115, between 8:00 AM and 5:00 PM CT.

OWNER ORIENTATION

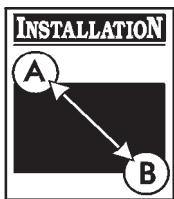
This section provides Home Generator System owners with the information necessary to achieve the most satisfactory and cost effective installation possible.

The illustrations are for typical circumstances and are meant to familiarize you with the installation options available with your Home Generator System. A thorough understanding of these options will provide fundamental control over the cost of your installation, as well as ensure your final satisfaction and security.

Local codes, appearance, noise levels, and distances are the factors that must be considered when negotiating with an installation professional. Remember that as the distance from the existing electrical service and wiring materials must be allowed for. This is necessary to comply with local codes and overcome electrical voltage drops.

The factors mentioned above will have a direct affect on the overall price of your Home Generator System installation.

NOTE: In some areas you may need to acquire electrical permits for installing the Home Generator System, and permits for noise allowances. Your installer should check your local codes AND obtain the permits before installing the system.



Generator Location

The actual physical location of your backup generator has a direct effect on the amount of wiring required to control and connect your generator.

NOTE: Specific location guidelines are discussed in the Installation Manual. Acquaint yourself with that information and confer with your installer. Be sure to ask how your site might affect installation costs and compliance with local codes and standards.

Generator Clearances

The generator must be a minimum of 3 ft. (92 cm) from combustible material (NFPA 37). Leave at least 3 ft. (92 cm) all around for access to the generator.

The unit's exhaust port must be at least 5 ft. (152 cm) from any building opening (window, door, vent etc.), and the exhaust must not be able to accumulate in any occupied area (Figure 1).

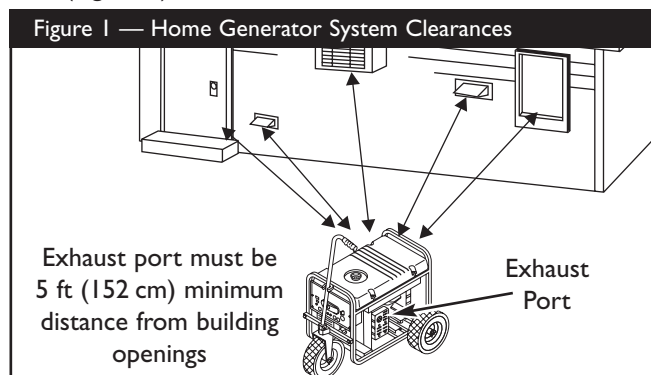
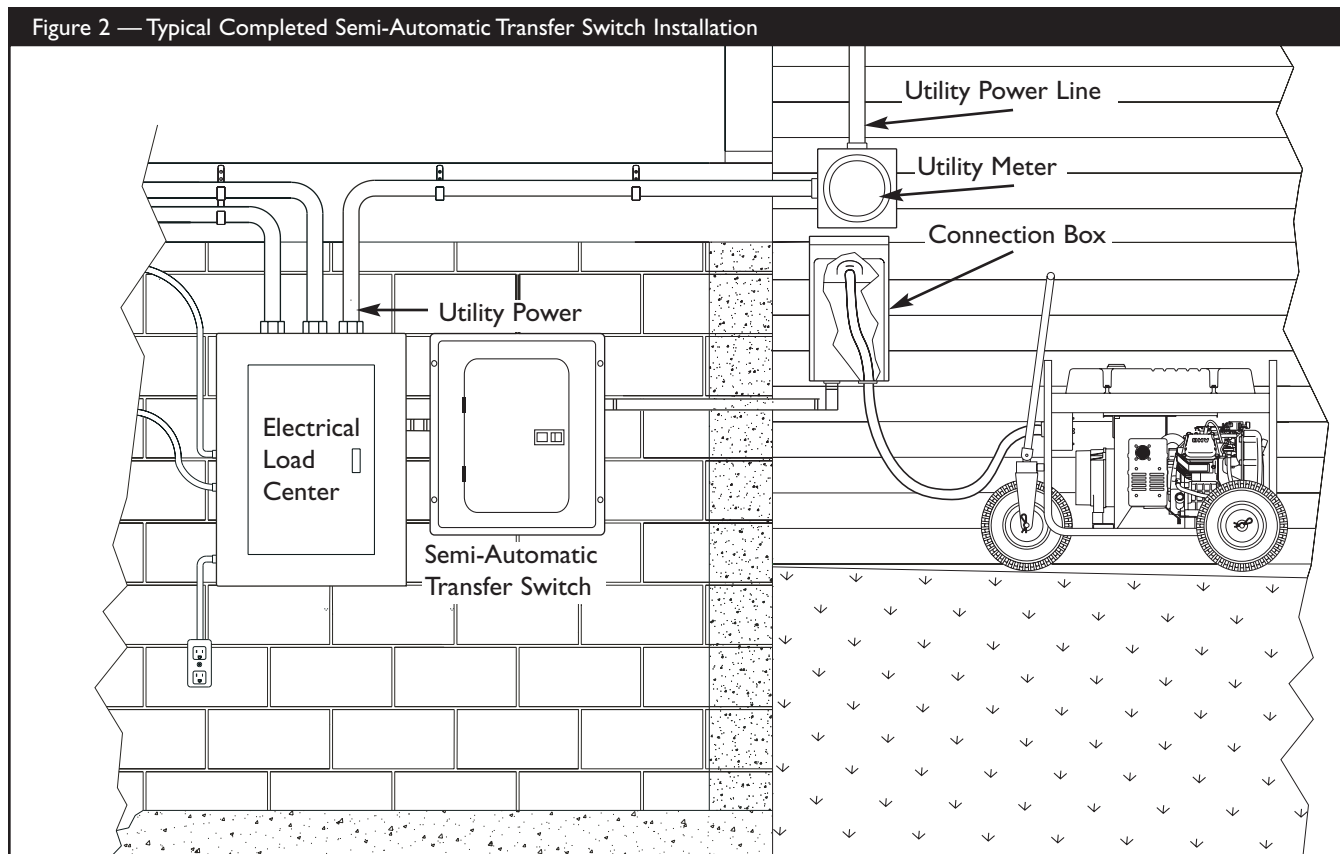
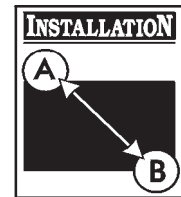


Figure 2 identifies system components and shows typical installation details. Variations to this illustration are related to code issues and materials.





Essential Circuits

As a Home Generator System owner, it is important that you clearly identify the circuits in your building that are "essential" to you. Your Home Generator System is equipped with a Semi-Automatic Transfer Switch. When properly wired, your selection of essential circuits will be transferred to the generator power within 10 seconds (+/- 5 seconds) after the generator is connected and started. It is important that your installer understand which circuits you want to include as "Essential Circuits". Depending on the power consumed by these circuits, most or all of them can be switched to the Home Generator System for the duration of normal power interruption.

The wattage reference guide shown in Figure 3 will assist you with your decision-making process. It provides the wattage used by many ordinary household devices. Use it as a guide when selecting your essential circuits. Review this information with your installer and ask about any technical considerations that might affect the cost of your installation.

Essential Circuit Selection

When selecting the essential circuits that will be switched to "Backup Power," it is important that the sum of the combined circuit loads does not exceed the wattage/ampere capacity of the generator. To help you with your selection of essential circuits, please consider the following:

Add up the total wattage of all electrical devices to be connected at one time. This total should **NOT** be greater than the generator's wattage capacity.

The rated wattage of lights can be taken from light bulbs. The rated wattage of tools, appliances and motors can usually be found on a data plate or decal affixed to the device.

If the appliance, tool or motor does not give wattage, multiply 120 Volts times the ampere rating to determine Watts (**Volts x Amps = Watts**).

Some electric motors (induction types) require about three times more watts of power for starting than for running. This surge lasts for only a few seconds. Be sure you allow for this high starting wattage when selecting electrical devices that will be energized by the Home Generator System:

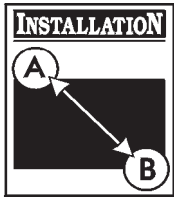
Figure the watts required to start the largest motor.

Add that to the total running watts of all other connected loads.

Figure 3 — Wattage Reference Guide

	Device	Running Watts
<input type="checkbox"/>	Air Conditioner (12,000 Btu)*	1700
<input type="checkbox"/>	Air Conditioner (24,000 Btu)*	3800
<input type="checkbox"/>	Air Conditioner (40,000 Btu)*	6000
<input type="checkbox"/>	Battery Charger (20 Amp)	500
<input type="checkbox"/>	Circular Saw (6-1/2")	800 to 1000
<input type="checkbox"/>	Clothes Dryer (Electric)*	5750
<input type="checkbox"/>	Clothes Dryer (Gas)*	700
<input type="checkbox"/>	Clothes Washer*	1150
<input type="checkbox"/>	Coffee Maker	1750
<input type="checkbox"/>	Compressor (1 HP)*	2000
<input type="checkbox"/>	Compressor (1/2 HP)*	1400
<input type="checkbox"/>	Compressor (3/4 HP)*	1800
<input type="checkbox"/>	Curling Iron	700
<input type="checkbox"/>	Dehumidifier*	650
<input type="checkbox"/>	Electric Blanket	400
<input type="checkbox"/>	Electric Range (per element)	1500
<input type="checkbox"/>	Electric Skillet	1250
<input type="checkbox"/>	Freezer*	700
<input type="checkbox"/>	Furnace Fan (3/5 HP)*	875
<input type="checkbox"/>	Garage Door Opener*	500 to 750
<input type="checkbox"/>	Hair Dryer	1200
<input type="checkbox"/>	Hand Drill	250 to 1100
<input type="checkbox"/>	Iron	1200
<input type="checkbox"/>	Jet Pump*	800
<input type="checkbox"/>	Light Bulb	100
<input type="checkbox"/>	Microwave Oven	700 to 1000
<input type="checkbox"/>	Milk Cooler*	1100
<input type="checkbox"/>	Oil Burner on Furnace	300
<input type="checkbox"/>	Oil Fired Space Heater (140,000 Btu)	400
<input type="checkbox"/>	Oil Fired Space Heater (30,000 Btu)	150
<input type="checkbox"/>	Oil Fired Space Heater (85,000 Btu)	225
<input type="checkbox"/>	Radio	50 to 200
<input type="checkbox"/>	Refrigerator	700
<input type="checkbox"/>	Slow Cooker	200
<input type="checkbox"/>	Submersible Pump (1 HP)*	2000
<input type="checkbox"/>	Submersible Pump (1/2 HP)*	1500
<input type="checkbox"/>	Submersible Pump (1-1/2 HP)*	2800
<input type="checkbox"/>	Sump Pump*	800 to 1050
<input type="checkbox"/>	Table Saw (10")*	1750 to 2000
<input type="checkbox"/>	Television	200 to 500
<input type="checkbox"/>	Toaster	1000 to 1650

*Allow three (3) times listed watts for starting device



UNPACKING

Generator

- Set the carton on a rigid flat surface with “This Side Up” arrows pointing upward.
- Carefully open the top flaps of the shipping carton.
- Cut down corners at one end of carton from top to bottom and lay that side of carton down flat.
- Remove all packing material, carton fillers, etc.
- Remove the generator from the shipping carton.

Transfer Switch

The semi-automatic transfer switch is supplied ready for installation. Inspect the switch and its attached components for any shipping damage.

The connection box is supplied ready to be wired. Inspect it, the power cord, and the connecting plugs for any damage.

Items Not Shipped with Semi-Automatic Transfer Switch:

The following items, required for system installation, are not included and must be provided by the installer:

1. Tools required for installation
2. Anchors and screws to mount the power transfer system components and conduit.
3. Conduit, fittings, wire nuts, and insulated copper wire for connecting the semi-automatic transfer switch to the outside connection box.

Delivery Inspection

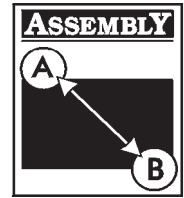
After removing the carton, carefully inspect the Home Generator and Semi-Automatic Power Transfer Switch components for any damage that may have occurred during shipment.

IMPORTANT: If loss or damage is noted at time of delivery, have the person(s) making delivery note all damage on the freight bill and affix his signature under the consignor's memo of loss or damage. If loss or damage is noted after delivery, separate the damaged materials and contact the carrier for claim procedures. Missing or damaged parts are not warranted.

Carton Contents

The Home Generator System is supplied with:

- 6500 watt generator
- Semi-Automatic Power Transfer switch
- Connection box
- Connecting cord set (Power Cord)
- Wheel kit
- Emergency rechargeable flashlight
- Locking 30 Amp plug
- Two bottles of engine oil
- Float charger
- Installation manual (190854)
- Owner's manual (190732)
- Installation checklist (190840)
- Product Warranty sheet (190881)



INSTALL WHEEL KIT

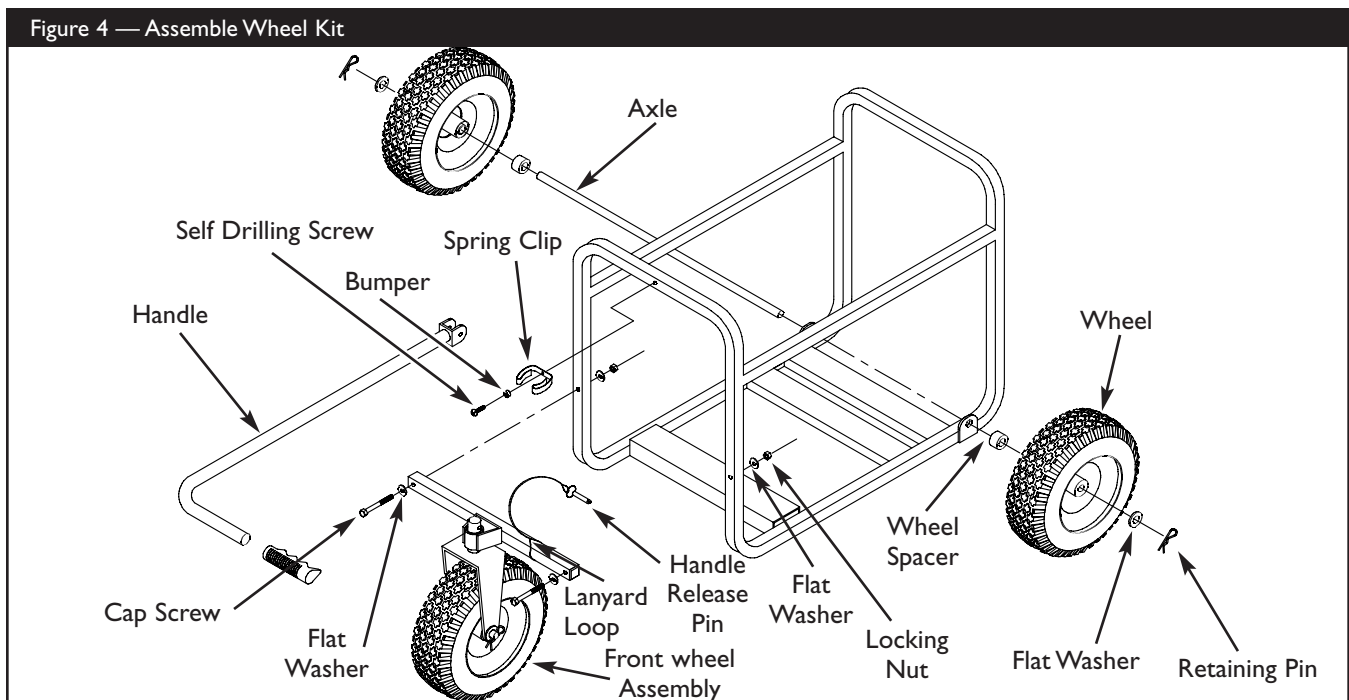
To install your wheel kit, you need the following tools:

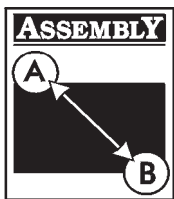
- Socket wrench with 1/2" or 13mm sockets
- Phillips head screwdriver
- Needle-nose pliers (if equipped with e-ring)

Install Wheel Kit as follows: (See Figure 4)

1. Place the generator on a hard flat surface. Temporarily raise unit on blocks to ease assembly.
2. Slide the axle through the holes in the brackets provided on the generator cradle and then add the two spacers on each protruding end of the axle.
- 3A. Slide a wheel on each end of the axle and secure with washer and retaining pin (or e-ring by placing the e-ring onto the groove in the axle).
- 3B. Place one end of the needle nose pliers on the bottom of the axle and the other end of the pliers on top of the e-ring. Seat the e-ring by pressing the pliers closed.
4. Slide the handle release pin lanyard loop onto the front wheel assembly bar, as shown.
5. Attach the front wheel assembly to the cradle with cap screws, flat washers and lock nuts. Remove the temporary blocks.
6. Slide the bumper onto the pre-threaded self drilling screw and attach the spring clip to the generator.
7. Attach the handle onto the front wheel assembly with the handle release pin.
8. Check that all fasteners are tight and the tires are at the proper inflation. The operating range should be 15-40 PSI.

NOTE: Install the wheels with the air inflation valve facing outward.



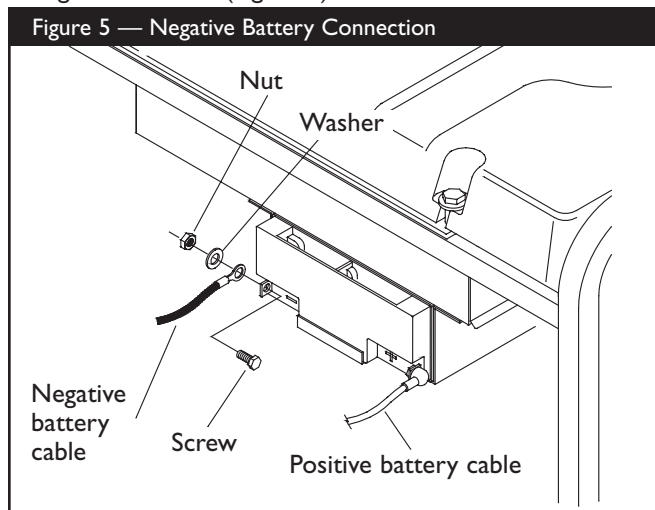


CHECK BATTERY / ATTACH NEGATIVE BATTERY WIRE

The sealed battery on the generator is fully charged and pre-installed except for the negative (black) battery cable.

To install:

- Cut off tie wrap securing loose end of negative (black) cable.
- Remove nut and washer on the negative battery terminal.
- Slide the negative battery cable over the screw on the negative terminal (Figure 5).



- Reattach washer and nut and tighten.
- Verify that the connections to the battery and generator are tight and secure.

BEFORE INITIAL START-UP

Add Oil

CAUTION! Any attempt to crank or start the engine before it has been properly filled with the recommended oil may result in an engine failure.

To fill your engine with oil:

- Place generator on a level surface.
- Follow the oil grade recommendations and oil fill instructions given in the engine owner's manual.

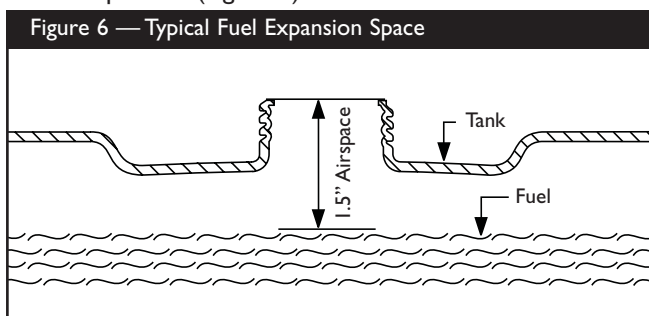
NOTE: The generator's revolving field rides on a prelubricated and sealed ball bearing that requires no additional lubrication for the life of the bearing.

Add Gasoline

WARNING! Never fill fuel tank indoors. Never fill fuel tank when engine is running or hot. Allow unit to cool for two minutes before refueling. **Do Not** light a cigarette or smoke when filling the fuel tank.

WARNING! Do Not overfill the fuel tank. Always allow room for fuel expansion.

- Use regular **UNLEADED** gasoline with the generator engine. **Do Not** use premium gasoline. **Do Not** mix oil with gasoline.
- Clean area around fuel fill cap, remove cap.
- Slowly add unleaded regular gasoline to fuel tank. Be careful not to overfill. Allow about 1.5" of tank space for fuel expansion (Figure 6).



- Install fuel cap and wipe up any spilled gasoline.

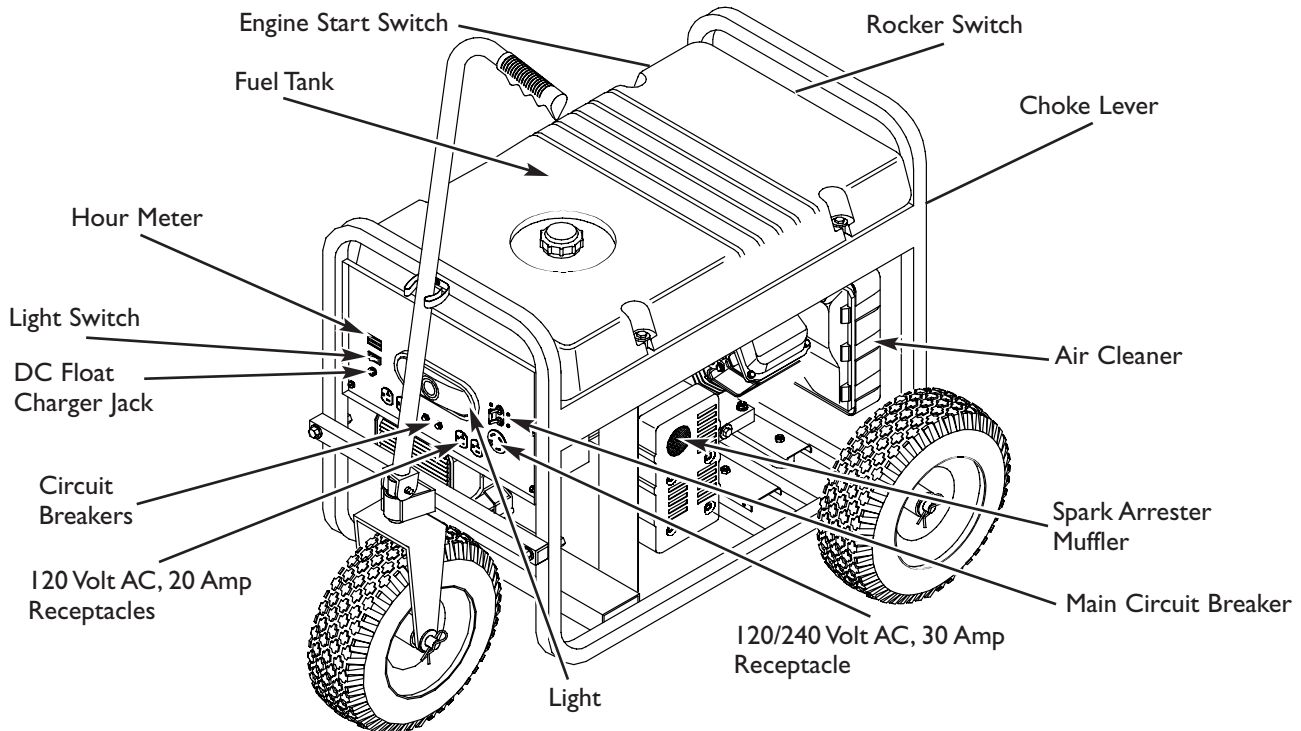
IMPORTANT: It is important to prevent gum deposits from forming in essential fuel system parts, such as the carburetor, fuel filter, fuel hose or tank during storage. Also, experience indicates that alcohol-blended fuels (called gasohol, ethanol or methanol) can attract moisture, which leads to separation and formation of acids during storage. Acidic gas can damage the fuel system of an engine while in storage. Be sure to review the precautions given in "Storage" on page 18.

Never use engine or carburetor cleaner products in the fuel tank or permanent damage may occur.

KNOW YOUR HOME GENERATOR UNIT

Read this owner's manual and safety rules before operating your generator.

Compare the illustrations with your generator to familiarize yourself with the locations of various controls and adjustments. Save this manual for future reference.



120 Volt AC, 20 Amp Receptacles — May be used to supply electrical power for the operation of 120 Volt AC, 20 Amp, single phase, 60 Hz electrical lighting, appliance, tool and motor loads.

120/240 Volt AC, 30 Amp Locking Receptacle — May be used to supply electrical power for the operation of 120 and/or 240 Volt AC, 30 Amp, single phase, 60 Hz electrical lighting, appliance, tool and motor loads.

Air Cleaner — Uses a dry type filter element and foam precleaner to limit the amount of dirt and dust that gets in the engine.

Choke Lever — Used when starting a cold engine.

Circuit Breakers (AC) — Each receptacle is provided with a circuit breaker to protect the generator against electrical overload. Breakers are "push to reset" type.

DC Float Charger Jack — Plug the battery float charger into this jack and into a building wall outlet to provide a trickle charge during storage.

Engine Start Switch - Press to start the engine.

Fuel Tank — Capacity of eight (8) U.S. gallons.

Grounding Wing Nut — (Not shown, see page 11) Used for proper grounding of unit.

Hour Meter — The hour meter records the total number of hours the generator has been running and is used to schedule maintenance tasks.

Light and Light Switch — Provides light during a power outage so that the generator can be connected to the connection box safely. The light is turned on and off with the Light Switch.

Main Circuit Breaker — Used to disconnect power from the unit's 30 Amp receptacle.

Recoil Starter — (Not shown) Used as backup method of starting the engine.

Rocker Switch — Set this switch to "On" before starting. Set switch to "Stop" to turn off engine.

Spark Arrester Muffler — Exhaust muffler lowers engine noise and is equipped with a spark arrester screen.



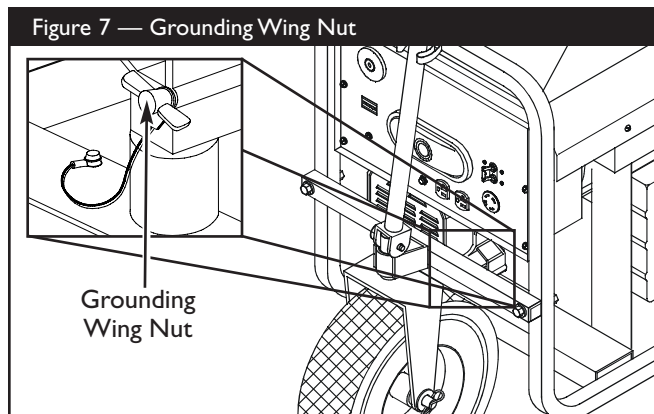
GROUNDING THE GENERATOR

The National Electrical Code requires that the frame and external electrically conductive parts of this generator be properly connected to an approved earth ground. Local electrical codes may also require proper grounding of the unit. Whenever the unit is connected to the system's properly installed power inlet box, the generator is automatically connected to the building's grounding system.

IMPORTANT: When operating the unit as a stand-alone generator, the unit should be connected to a grounding rod, especially when the unit is equipped with a wheel kit.

Properly grounding the generator helps prevent electrical shock if a ground fault condition exists in the generator or in connected electrical devices. Proper grounding also helps dissipate static electricity, which often builds up in ungrounded devices.

A GROUNDING WING NUT is provided (Figure 7) to make the grounding attachment.



Connecting a No. 12 AWG (American Wire Gauge) stranded copper wire to the grounding wing nut and to an earth-driven copper or brass grounding rod (electrode) provides adequate protection against electrical shock.

CAUTION! Do Not connect the unit to a grounding rod at the same time it is connected to the building's power inlet box.

OPERATING THE GENERATOR

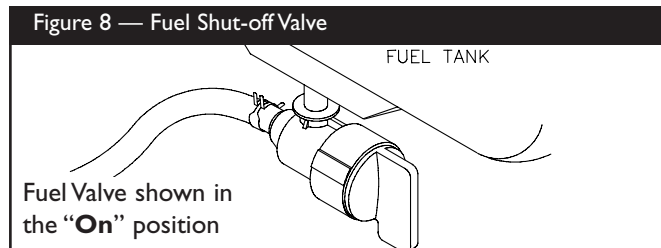
CAUTION! Never start or stop unit with electrical loads connected AND with the connected devices turned ON.

IMPORTANT: Always unplug the battery float charger before starting the generator.

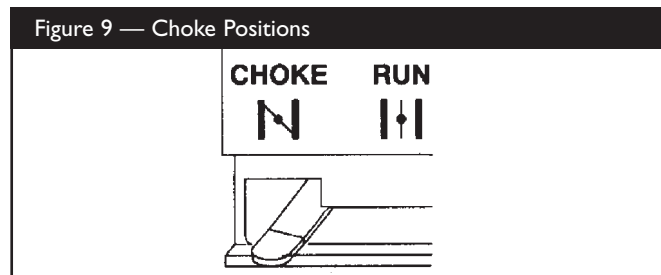
Starting the Engine

Disconnect all electrical loads from the generator. Use the following start instruction steps by numerical order:

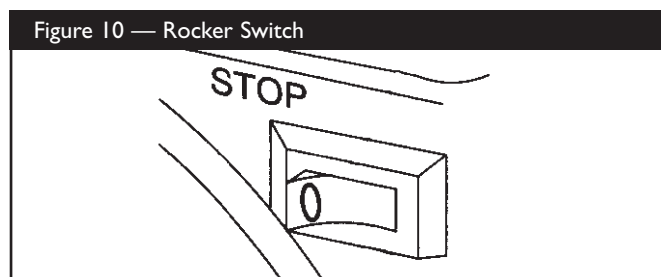
1. Move the fuel valve to the "On" position (Figure 8).



2. To start a cold engine, move the choke lever to the "Choke" position. To restart a warm engine, leave the choke lever in the "Run" position (Figure 9).



3. Set the rocker switch to the "On" position (Figure 10).





- 4A. For electric starting, press start switch on generator cradle. To prolong the life of the starter components, press the starter button for no more than 15 seconds, and pause for 30 seconds.
- 4B. For manual starting, grasp starter grip and pull slowly until you feel some resistance. Then pull cord out with rapid full arm stroke. Let rope return slowly. **Do Not** let rope “snap back” against starter.
5. If the choke lever has been moved to the “**Choke**” position to start the engine, gradually move it to the “**Run**” position as the engine warms up.

NOTE: If engine still fails to start after 3 pulls, check for proper oil level in crankcase. This unit is equipped with a Low Oil Shutdown System. See engine manual.

Refer to the engine owner’s manual for complete starting instructions.

Connecting Electrical Loads

- Let engine stabilize and warm up for a few minutes after starting.
- Turn ON the generator main breaker to energize the 30 Amp connector.
- Connect the unit to the power inlet box, following the connection instructions given in the section “Switch to Generator Power” on page 15. Or plug in and turn on the desired 120 and/or 240 Volt AC, single phase, 60 Hertz electrical loads.
- **Do Not** connect 240 Volt loads to the 120 Volt receptacles.
- **Do Not** connect 3-phase loads to the generator.
- **Do Not** connect 50 Hz loads to the generator.
- **DO NOT OVERLOAD THE GENERATOR.** When not used with the semi-automatic transfer switch, add up the rated watts (or amps) of all loads to be connected at one time. This total should not be greater than the rated wattage/ampere capacity of the generator. See “Don’t Overload the Generator” on page 14.

Stopping the Engine

- Unplug **all** electrical loads from generator panel receptacles. **Never** start or stop engine with electrical devices plugged in and turned on.

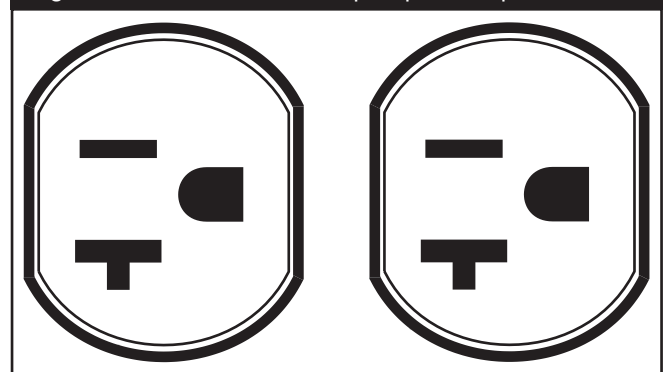
- Let engine run at no-load for 30 seconds to stabilize the internal temperatures of engine and generator.
- Move the fuel valve to the “**Off**” position.
- Wait for the engine to idle down.
- Move the rocker switch to the “**Stop**” position.

RECEPTACLES

120 Volt AC, 20 Amp, Duplex Receptacle

Each receptacle (Figure 11) is protected against overload by a 20 Amp push-to-reset circuit breaker.

Figure 11 — 120 Volt AC, 20 Amp, Duplex Receptacle



Use each receptacle to operate 120 Volt AC, single-phase, 60 Hz electrical loads requiring up to 2400 Watts (2.4 kW) at 20 Amps of current. Use cord sets that are rated for 125 Volt AC loads at 20 Amps (or greater).

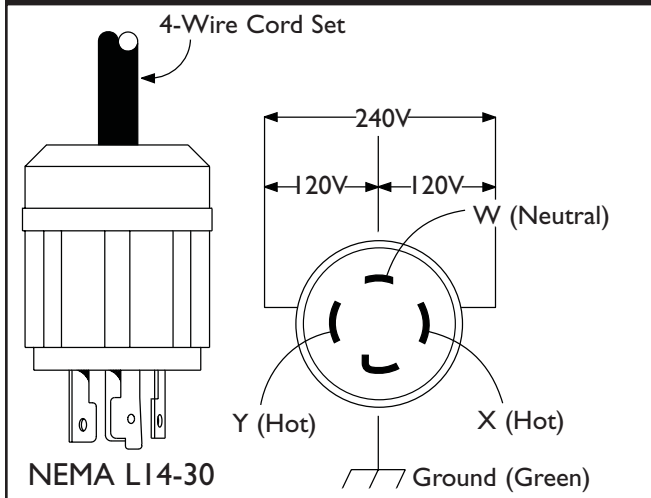
120/240 Volt AC, 30 Amp, Locking Receptacle

Use this plug to connect the unit to the connection box with the supplied cord.

A NEMA L14-30 plug is used with this receptacle. Connect a 4-wire cord set rated for 250 Volt AC loads at 30 Amps (or greater) (Figure 12). You can use the same 4-wire cord if you plan to run a 120 Volt load.



Figure 12 — 120/240 Volt AC, 30 Amp Receptacle



This receptacle powers 120/240 Volt AC, 60 Hz, single phase loads requiring up to 3600 Watts of power at 30 Amps for 120 Volts; 6500 Watts of power (6.5 kW) at 27.1 Amps for 240 Volts. The outlet is protected by a 30 Amp circuit breaker.

CAUTION! Although this outlet states it has a 240 Volt 30 Amp rating (up to 7,200 Watts), the generator is only rated for 6,500 Watts. Powering loads that exceed the wattage/ amperage capacity of the generator can damage it or cause serious injuries. 240 Volt loads powered through this outlet should not exceed 27.1 Amps of current draw.

Light

A light is provided on the control panel to assist movement in the dark. Turn on the light using the switch on the control panel.

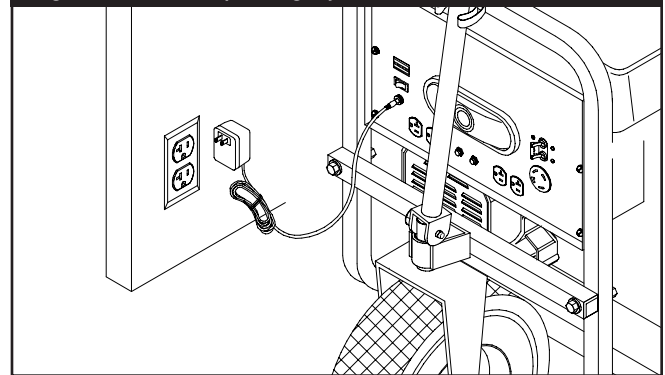
Always turn off the light when not needed as it drains the generator battery. Turn off the light when the generator is running.

How to Use the Battery Charger

Use the battery float charger jack to keep the starting battery charged and ready for use. Battery charging should be done in a dry location, such as inside a garage.

- Plug the charger into the unit's "12V DC Float Charger" jack, which is located on the control panel (Figure 13). Plug battery charger into a 120 Volt AC wall receptacle.

Figure 13 — Battery Charger Jack



- Unplug the charger from the unit and the wall outlet when generator is being started and while it is in operation.
- Keep this charger plugged in when generator is not in use to prolong battery life. The charger has a built in float equalizer and will not overcharge the battery, even when plugged in for an extended period of time.

IMPORTANT: See "Battery Maintenance" on page 17 for additional information.

Hour Meter

The hour meter operates whenever the unit's engine runs. Use the hour meter to plan service tasks mentioned in the engine owner's manuals.



DON'T OVERLOAD YOUR GENERATOR

NOTE: Refer to this section when you are using the generator **without** the semi-automatic transfer switch. Ask your semi-automatic transfer switch installer to review load management techniques. See "Essential Circuits" on page 6.

Capacity

You must make sure your generator can supply enough rated (running) and surge (starting) watts for the items you will power at the same time. Follow these simple steps:

1. Select the items you will power at the same time.
2. Total the rated (running) watts of these items. This is the amount of power your generator must produce to keep your items running. See Figure 14.
3. Estimate how many surge (starting) watts you will need. Surge wattage is the short burst of power needed to start electric motor-driven tools or appliances such as a circular saw or refrigerator. Because not all motors start at the same time, total surge watts can be estimated by adding only the item(s) with the highest additional surge watts to the total rated watts from step 2.

Example:

Tool or Appliance	Rated (Running) Watts	Additional Surge (Starting) Watts
Window Air Conditioner	1200	1800
Refrigerator	800	1600
Deep Freezer	500	500
Television	500	-
Light (75 Watts)	75	-
	3075 Total Running Watts	1800 Highest Surge Watts

Total Rated (Running) Watts = 3075

Highest Additional Surge Watts = 1800

Total Generator Output Required = 4875

Power Management

To prolong the life of your generator and attached devices, it is important to take care when adding electrical loads to your generator. There should be nothing connected to the generator outlets before starting its engine. The correct and safe way to manage generator power is to sequentially add loads as follows:

1. With nothing connected to the generator, start the engine as described in this manual.
2. Plug in and turn on the first load, preferably the largest load you have.

3. Permit the generator output to stabilize (engine runs smoothly and attached device operates properly).
4. Plug in and turn on the next load.
5. Again, permit the generator to stabilize.
6. Repeat steps 4 and 5 for each additional load.

Never add more loads than the generator capacity. Take special care to consider surge loads in generator capacity, as described above.

Figure 14 - Wattage Reference Chart

Tool or Appliance	Rated* (Running) Watts	Additional Surge (Starting) Watts
Essentials		
Light Bulb - 75 watt	75	-
Deep Freezer	500	500
Sump Pump	800	1200
Refrigerator/Freezer - 18 Cu. Ft.	800	1600
Water Well Pump - 1/3 HP	1000	2000
Heating/Cooling		
Window AC - 10,000 BTU	1200	1800
Window Fan	300	600
Furnace Fan Blower - 1/2 HP	800	1300
Kitchen		
Microwave Oven - 1000 Watt	1000	-
Coffee Maker	1500	-
Electric Stove - Single Element	1500	-
Hot Plate	2500	-
Family Room		
DVD/CD Player	100	-
VCR	100	-
Stereo Receiver	450	-
Color Television - 27"	500	-
Personal Computer w/17" monitor	800	-
Other		
Security System	180	-
AM/FM Clock Radio	300	-
Garage Door Opener - 1/2 HP	480	520
Electric Water Heater - 40 Gallon	4000	-
DIY/Job Site		
Quartz Halogen Work Light	1000	-
Airless Sprayer - 1/3 HP	600	1200
Reciprocating Saw	960	960
Electric Drill - 1/2 HP	1000	1000
Circular Saw - 7 1/4"	1500	1500
Miter Saw - 10"	1800	1800
Table Planer - 6"	1800	1800
Table Saw/Radial Arm Saw - 10"	2000	2000
Air Compressor - 1-1/2 HP	2500	2500

*Wattages listed are approximate only. Check tool or appliance for actual wattage.



OPERATING THE POWER TRANSFER SWITCH

Switch To Generator Power

To switch to generator power after a utility power failure:

1. Align the female socket of the power cord with the connection box receptacle's mating male prongs, as shown in Figure 15. Push power cord connector in and twist clockwise to lock.

Figure 15 — Connection Box Connection



2. Align the male prongs on the other end of the power cord with the mating female terminals of the generator's 240V receptacle, as shown in Figure 16. Push in connector and twist clockwise to lock.

Figure 16 — Align Connectors at Generator



3. Ensure generator is outdoors and fluids and fuel are topped-off.
4. Open the main circuit breaker on the generator control panel. Start the generator using instructions given in the section "Operating the Generator" on page 11.
5. Close the generator's main circuit breaker.
6. After a ten second delay, the transfer switch will transfer essential circuit loads to the generator.

Load Management

The number of circuits that can be operated simultaneously during a utility failure will depend on the wattage capacity of your generator. **Most portable generators do not have the capacity to handle loads on all circuit breakers at the same time.**

Review the load management plan developed with the installer (see "Plan the Installation" in the Installation manual, P/N 190854). It may be necessary to selectively turn on and off certain loads while using generator power so that necessary appliances can be operated safely.



Switch To Utility Power

To revert from generator power to utility power after utility power is restored:

1. Open the main circuit breaker on the generator. After a three second delay, the transfer switch will transfer to utility power.
2. Shut off the generator after a five minute cool down period.
3. Disconnect the power cord from the connection box and the generator.

Testing

Following installation, test the HGS as follows:

1. Open all circuit breakers in the transfer switch enclosure.
2. Locate the generator near the connection box.
3. Connect the power cord to the house connector box (see Figure 15).
4. At the generator, connect the other end of the power cord to the generator (see Figure 16). Make sure the circuit breaker on the generator is open (OFF).
5. Start the generator and let warm for five minutes. Turn ON main breaker on generator. After ten seconds, the transfer switch will transfer generator power to essential circuits.
6. At the transfer switch, set the first circuit breaker to the "ON" position. Verify that its load is operating properly. Return the circuit breaker to the "OFF" position.
7. Repeat Step 6, above, for each of the other transfer switch circuit breakers.
8. After testing be sure all circuit breakers are closed (ON).
9. Turn "OFF" main breaker and let generator cool down for five minutes. Shut down the generator and disconnect the power cord from the connection box and generator.



SPECIFICATIONS

Generator

Model	01678
Rated Maximum Power	6,500 Watts
Rated Maximum Load Current:	
at 240 Volts.	27.1 Amps
at 120 Volts.	54.2 Amps
Rated AC Voltage	120/240 Volts
Rated Frequency	60 Hz at 3600 rpm
Phase	Single Phase
Power Factor	1.0
Normal Operating Range	-20°F (-28.8°C) to 104°F (40°C)
Fuel Tank Capacity	8 U.S. Gallons
System Shipping Weight	296 lbs.

Transfer Switch

Maximum Circuits	10
Maximum Load/Circuit:	
from Generator	27.1 Amps
from Load Center.	50 Amps
Maximum Watts	6,500
Power Cord Length	10 ft.
Connection Box Power	
Inlet Connector	NEMA L14-30

GENERAL MAINTENANCE RECOMMENDATIONS

The Owner/Operator is responsible for making sure that all periodic maintenance tasks are completed on a timely basis; that all discrepancies are corrected; and that the unit is kept clean and properly stored. **Never operate a damaged or defective generator.**

Engine Maintenance

See engine owner's manual for instructions.



CAUTION! Avoid prolonged or repeated skin contact with used motor oil. Used motor oil has been shown to cause skin cancer in certain laboratory animals. Thoroughly wash exposed areas with soap and water.
KEEP OUT OF REACH OF CHILDREN. DON'T POLLUTE. CONSERVE RESOURCES. RETURN USED OIL TO COLLECTION CENTERS.

Generator Maintenance

Generator maintenance consists of keeping the unit clean and dry. Operate and store the unit in a clean dry environment where it will not be exposed to excessive dust, dirt, moisture or any corrosive vapors. Cooling air slots in the generator must not become clogged with snow, leaves or any other foreign material.

NOTE: Do Not use a garden hose to clean generator. Water can enter engine fuel system and cause problems. In addition, if water enters generator through cooling air slots, some of the water will be retained in voids and cracks of the rotor and stator winding insulation. Water and dirt buildup on the generator internal windings will eventually decrease the insulation resistance of these windings.

Battery Maintenance

Other than float charging, described elsewhere, no maintenance is required for the battery. Keep the battery and terminals clean and dry.

IMPORTANT: Battery charging should be performed in a dry location, such as inside a garage.

To Clean the Generator

- Use a damp cloth to wipe exterior surfaces clean.
- A soft bristle brush may be used to loosen caked on dirt or oil.
- A vacuum cleaner may be used to pick up loose dirt and debris.
- Low pressure air (not to exceed 25 psi) may be used to blow away dirt. Inspect cooling air slots and opening on generator. These openings must be kept clean and unobstructed.



STORAGE

The generator should be started at least once every seven days and allowed to run at least 15 minutes. If this cannot be done and you must store the unit for more than 30 days, use the following guidelines to prepare it for storage.

Generator Storage

- Clean the generator as outlined in "To Clean the Generator."
- Check that cooling air slots and openings on generator are open and unobstructed.



CAUTION! Storage covers can be flammable. **Do Not** place a storage cover over a hot generator. Let the unit cool for a sufficient time before placing the cover on the unit.

- Plug the battery charger into the DC float charger jack on the control panel and into a building outlet.

Engine Storage

See engine owner's manual for instructions.

Other Storage Tips

- To prevent gum from forming in fuel system or on essential carburetor parts, add fuel stabilizer into fuel tank and fill with fresh gasoline. Run the unit for several minutes to circulate the additive through the carburetor. The unit and fuel can then be stored for up to 24 months. Fuel stabilizer can be purchased locally.
- **Do Not** store gasoline from one season to another unless it has been treated as described above.
- Replace fuel container if it starts to rust. Rust and/or dirt in fuel can cause problems if it's used with this unit.
- Store unit in a clean and dry area.

If You Call the Factory

You must have the following information at hand if it is necessary to contact Briggs & Stratton Technical Services regarding service or repair of this unit:

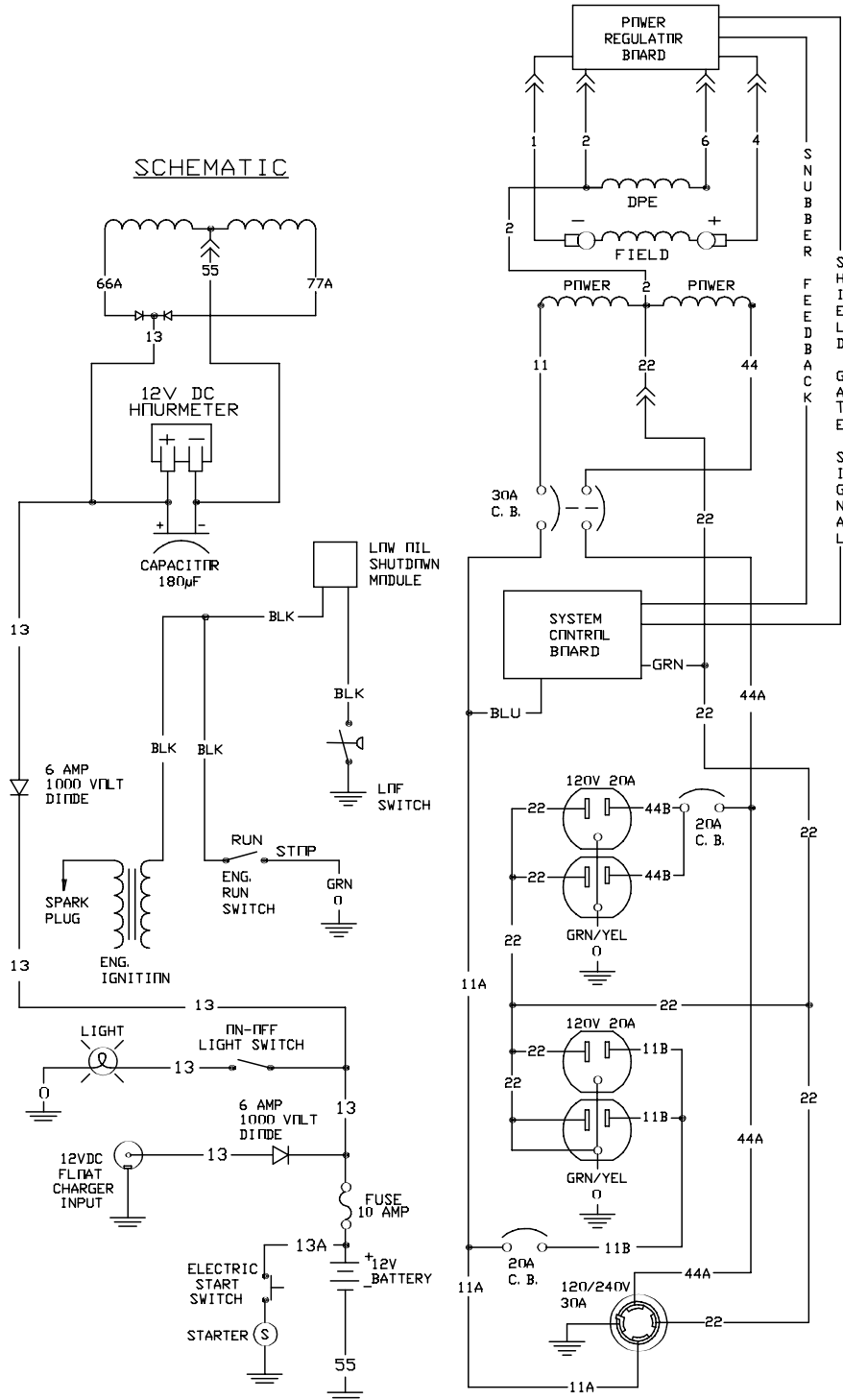
1. Obtain the unit Model Number and Serial Number from the unit data decal.
2. Obtain the engine Model/Type/Code numbers from the engine label.



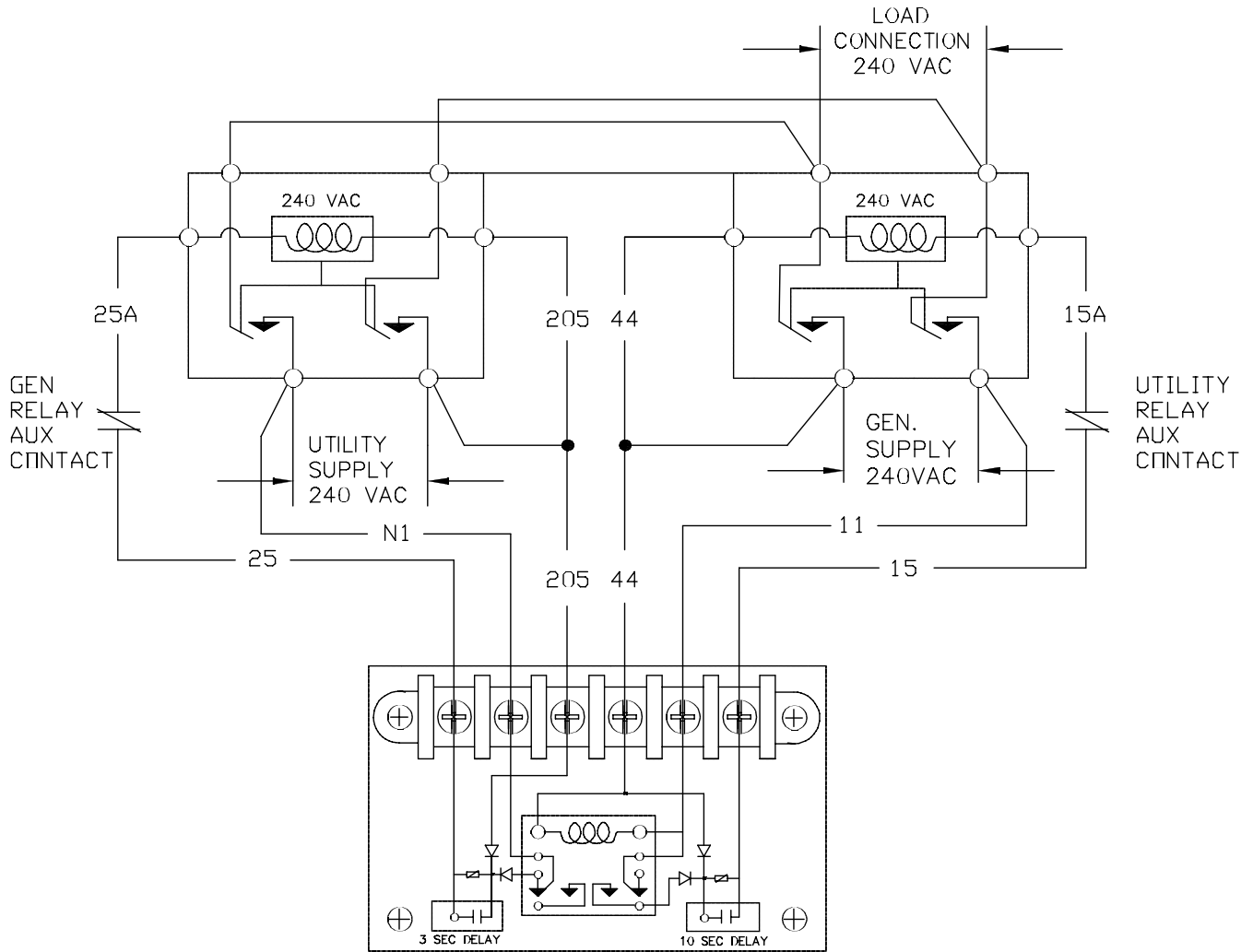
TROUBLESHOOTING

Problem	Cause	Solution
Engine is running, but no AC output is available.	<ol style="list-style-type: none"> 1. Generator circuit breaker is open. 2. Poor wiring connections or defective transfer switch. 3. Transfer switch circuit breaker open or defective. 4. Fault in generator. 	<ol style="list-style-type: none"> 1. Reset circuit breaker. 2. Check and repair. 3. Reset or replace circuit breaker. 4. Contact Briggs & Stratton service facility.
Engine runs good but bogs down when loads are connected.	<ol style="list-style-type: none"> 1. Short circuit in a connected load. 2. Generator is overloaded. 3. Engine speed is too slow. 4. Shorted generator circuit. 	<ol style="list-style-type: none"> 1. Disconnect shorted electrical load. 2. See "Essential Circuits" on page 6. 3. Contact Briggs & Stratton service facility. 4. Contact Briggs & Stratton service facility.
Engine will not start; or starts and runs rough.	<ol style="list-style-type: none"> 1. Rocker switch set to "Stop". 2. Fuel valve is in "Off" position. 3. Dirty air cleaner. 4. Out of gasoline. 5. Stale gasoline. 6. Spark plug wire not connected to spark plug. 7. Bad spark plug. 8. Water in gasoline. 9. Overchoking. 10. Low oil level. 11. Excessively rich fuel mixture. 12. Intake valve stuck open or closed. 13. Engine has lost compression. 14. Failed battery. 	<ol style="list-style-type: none"> 1. Set switch to "On". 2. Turn fuel valve to the "On" position. 3. Clean or replace air cleaner. 4. Fill fuel tank. 5. Drain gas tank and fill with fresh fuel. 6. Connect wire to spark plug. 7. Replace spark plug. 8. Drain gas tank; fill with fresh fuel. 9. Put choke lever at "Run" position. 10. Fill crankcase to proper level. 11. Contact Briggs & Stratton service facility. 12. Contact Briggs & Stratton service facility. 13. Contact Briggs & Stratton service facility. 14. Replace battery.
Engine shuts down during operation.	<ol style="list-style-type: none"> 1. Out of gasoline. 2. Low oil level. 3. Fault in engine. 	<ol style="list-style-type: none"> 1. Fill fuel tank. 2. Fill crankcase to proper level. 3. Contact Briggs & Stratton service facility.
Engine lacks power.	<ol style="list-style-type: none"> 1. Load is too high. 2. Dirty air filter. 3. Engine needs to be serviced. 	<ol style="list-style-type: none"> 1. See "Essential Circuits" on page 6. 2. Replace air filter. 3. Contact Briggs & Stratton service facility.
Engine "hunts" or falters.	<ol style="list-style-type: none"> 1. Choke is opened too soon. 2. Carburetor is running too rich or too lean. 	<ol style="list-style-type: none"> 1. Move choke to halfway position till engine runs smoothly. 2. Contact Briggs & Stratton service facility.

UNIT SCHEMATIC DIAGRAM

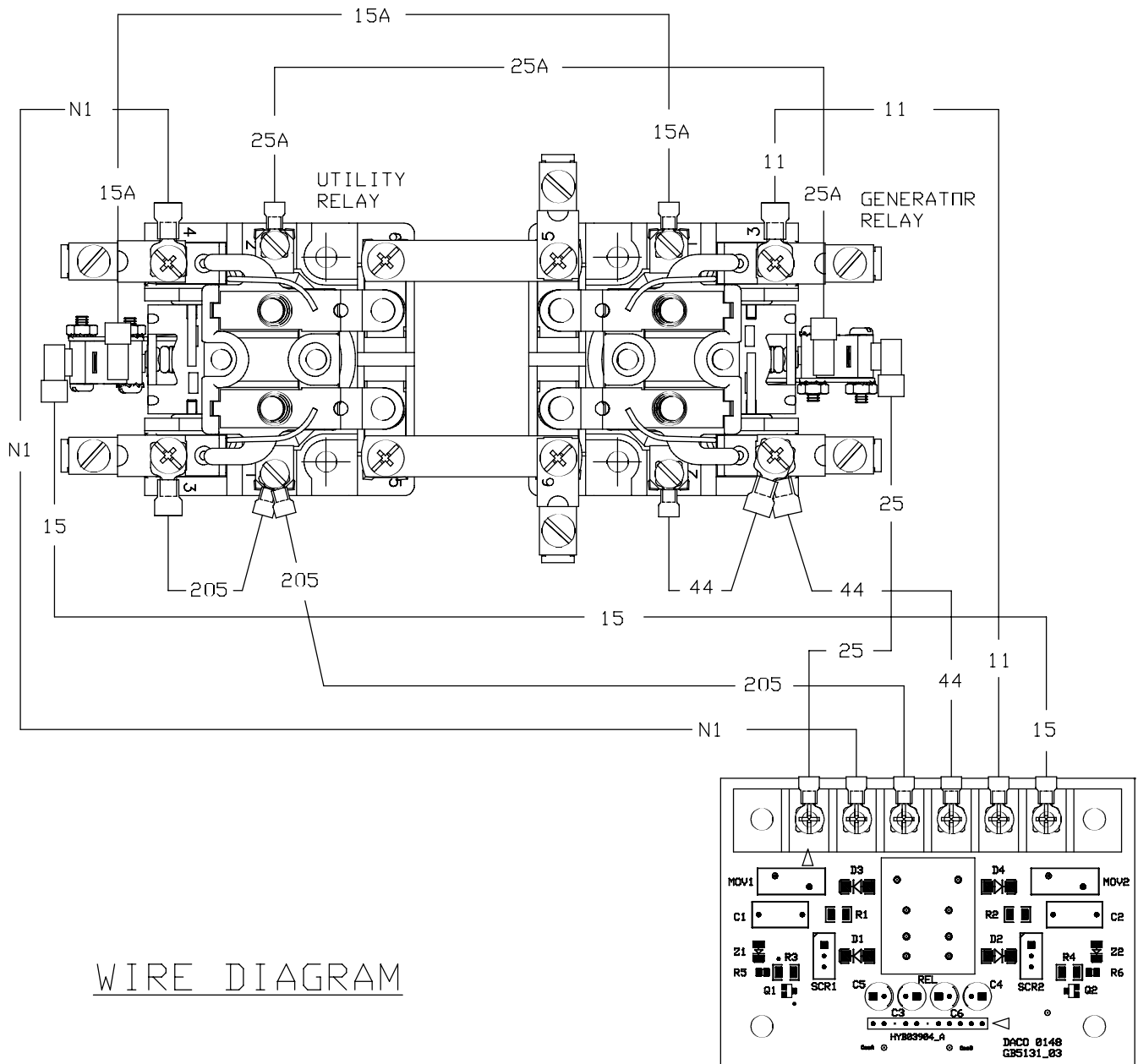


TRANSFER SWITCH SCHEMATIC DIAGRAM

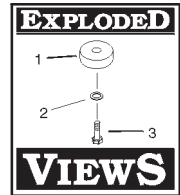


SCHEMATIC

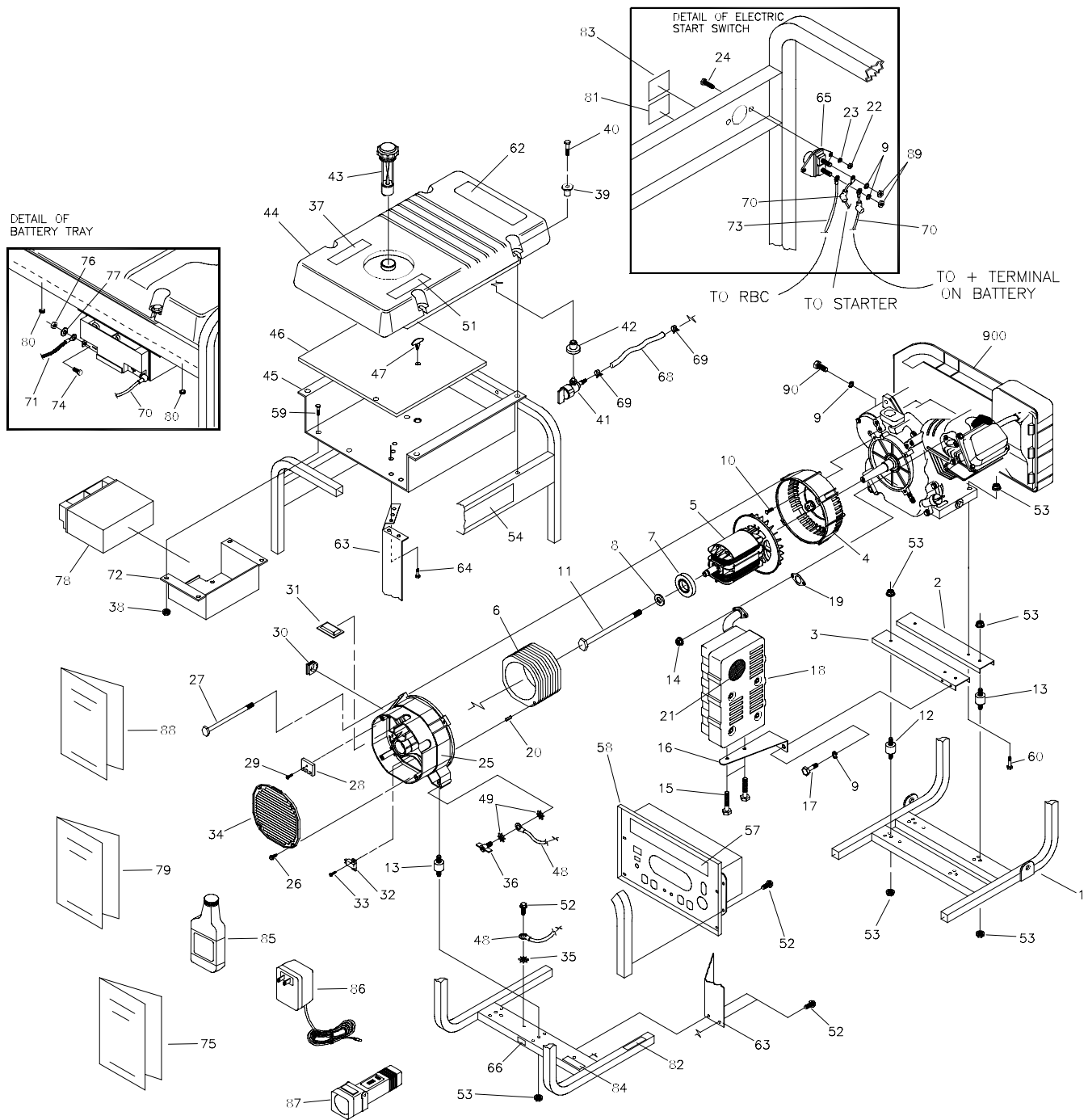
TRANSFER SWITCH WIRING DIAGRAM

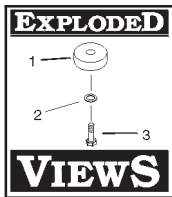


WIRE DIAGRAM



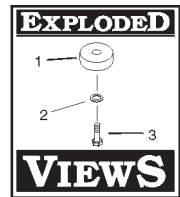
UNIT EXPLODED VIEW



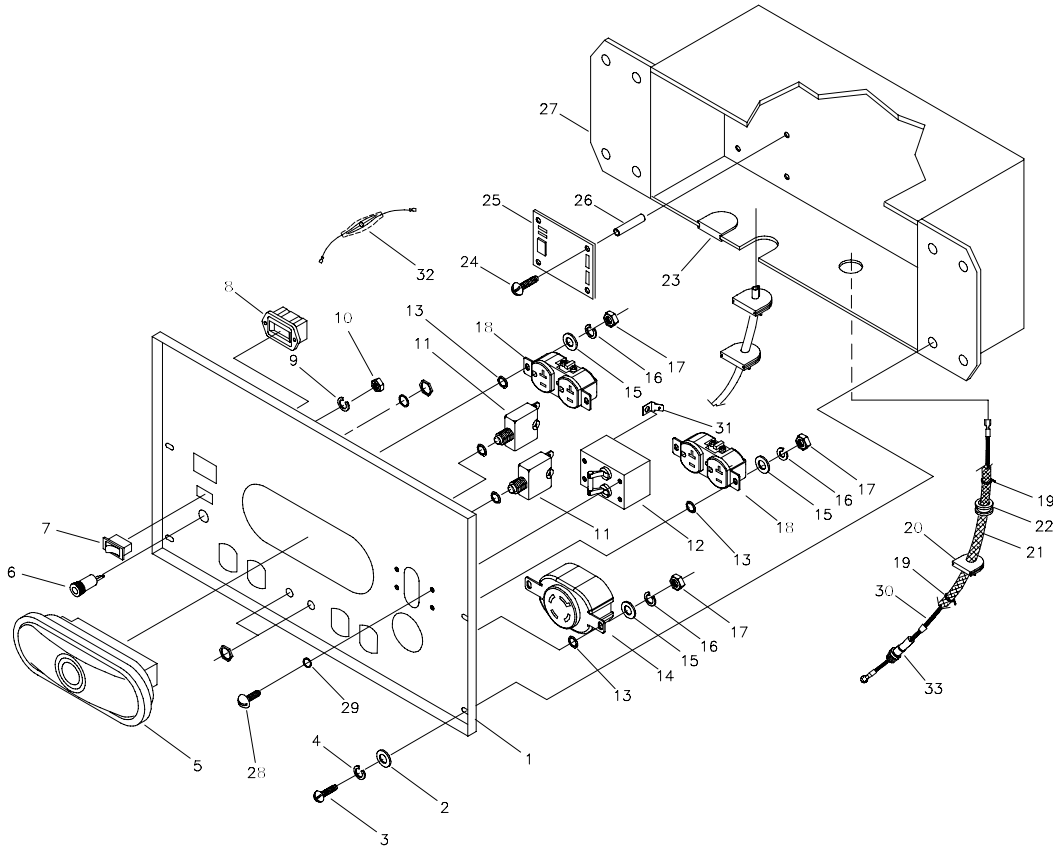


UNIT PARTS LIST

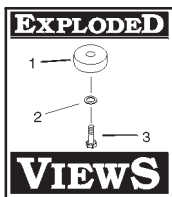
Item	Part #	Qty.	Description	Item	Part #	Qty.	Description
1	H190724GS	1	CRADLE	44	B1998GS	1	ASSY, Tank, Fuel (Includes Items 41 & 42)
2	H92531GS	1	SUPPORT, Engine	45	J189176GS	1	SHIELD, Heat
3	H190723GS	1	SUPPORT, Engine & Muffler	46	92665GS	1	INSULATION
4	92247GS	1	HOUSING, Engine Adapter	47	85000GS	1	CLIP, Insulation
5	191308GS	1	ASSY, Rotor (Incls Item 7)	48	14353621GS	1	WIRE, Ground
6	94981AGS	1	ASSY, Stator	49	26850GS	2	LW, EXT, Shakeproof
7	65791GS	1	BEARING	51	92982GS	1	DECAL, Danger
8	96796GS	1	WASHER, Grommet Retainer	52	B2153GS	7	DRILLER, Self
9	22129GS	5	LOCKWASHER	53	189160GS	12	NUT, Serrated Flange
10	86307GS	4	CAPSCREW, Hex Head	54	190725GS	2	DECAL, Tank Support
11	75431GS	1	CAPSCREW, Hex Head	57	190725GS	1	DECAL, Control Panel
12	92609GS	2	MOUNT, Vibration	58	B4690GS	1	ASSY, Control Panel
13	82857GS	4	MOUNT, Vibration	59	43116GS	4	CAPSCREW, Hex Head
14	67989GS	2	NUT, Flange Serrated	60	22531GS	2	CAPSCREW, Hex Head
15	66476GS	2	CAPSCREW	62	93826GS	1	DECAL, Start Instructions
16	92532GS	1	BRACKET, Muffler	63	JB4674GS	1	SHIELD, Heat
17	22142GS	2	SCREW	64	56893GS	5	CRIMPTITE
18	B4206GS	1	MUFFLER	65	77282GS	1	SWITCH, Starter
19	B4343GS	1	GASKET, Muffler	66	B4986GS	1	DECAL, Ground
20	81917GS	1	PIN, Roll	68	30340GS	1	HOSE, Fuel
21	83083GS	1	SCREEN, Spark Arrest	69	48031CGS	2	CLAMP, Hose
22	22127GS	2	NUT, Hex	70	189302CGS	2	ASSY, Wire, #13
23	22097GS	2	WASHER, Lock	71	13353621GS	1	ASSY, Wire, #55
24	22287GS	2	SCREW	72	J186704GS	1	TRAY, Battery
25	SRV66825DGS	1	CARRIER, Rear Bearing	73	96113GS	1	ASSY, Wire, #13
26	74908GS	4	TAPTITE	74	52618GS	2	CAPSCREW, Hex Head
27	86308BGS	4	BOLT, Stator	75	190911GS	1	MANUAL, Engine
28	65795GS	1	RECTIFIER, Battery Charge	76	52856GS	2	NUT, Hex, Flange
29	66849AGS	1	TAPTITE	77	23897GS	2	WASHER, Flat
30	67022GS	1	GROMMET, Rubber	78	B4489GS	1	BATTERY
31	84132GS	1	ASSY, Power Regulator	79	190732GS	1	MANUAL, Owners
32	66386GS	1	ASSY, Brush Holder	80	62265GS	2	GROMMET
33	66849GS	2	TAPTITE	81	73054GS	1	DECAL, Fuel Shut-Off
34	B4871GS	1	COVER, Bearing Carrier	82	77816GS	1	DECAL, Caution Hot Muffler
35	22769GS	1	WASHER, Shakeproof Int.	83	78549GS	1	DECAL, Electric Start
36	86494GS	1	SCREW, Wing	84	190780GS	1	DECAL, 1-800 BSPP
37	188333GS	1	DECAL, Instruction, Fuel Level	85	BB3061GS	2	BOTTLE, Oil
38	77395GS	4	NUT, Flange Lock	86	B4177GS	1	CHARGER, Battery
39	83465GS	4	GROMMET, Tank	87	B5066GS	1	FLASHLIGHT
40	78831AGS	4	CAPSCREW, Hex Head	88	190854GS	1	MANUAL, Installation
41	80270GS	1	VALVE, Tank	89	24114GS	2	NUT
42	78299GS	1	BUSHING, Plastic Tank	90	42907GS	1	CAPSCREW, Hex Head
43	B4363GS	1	CAP, Fuel Gauge	900	NSP	1	ENGINE



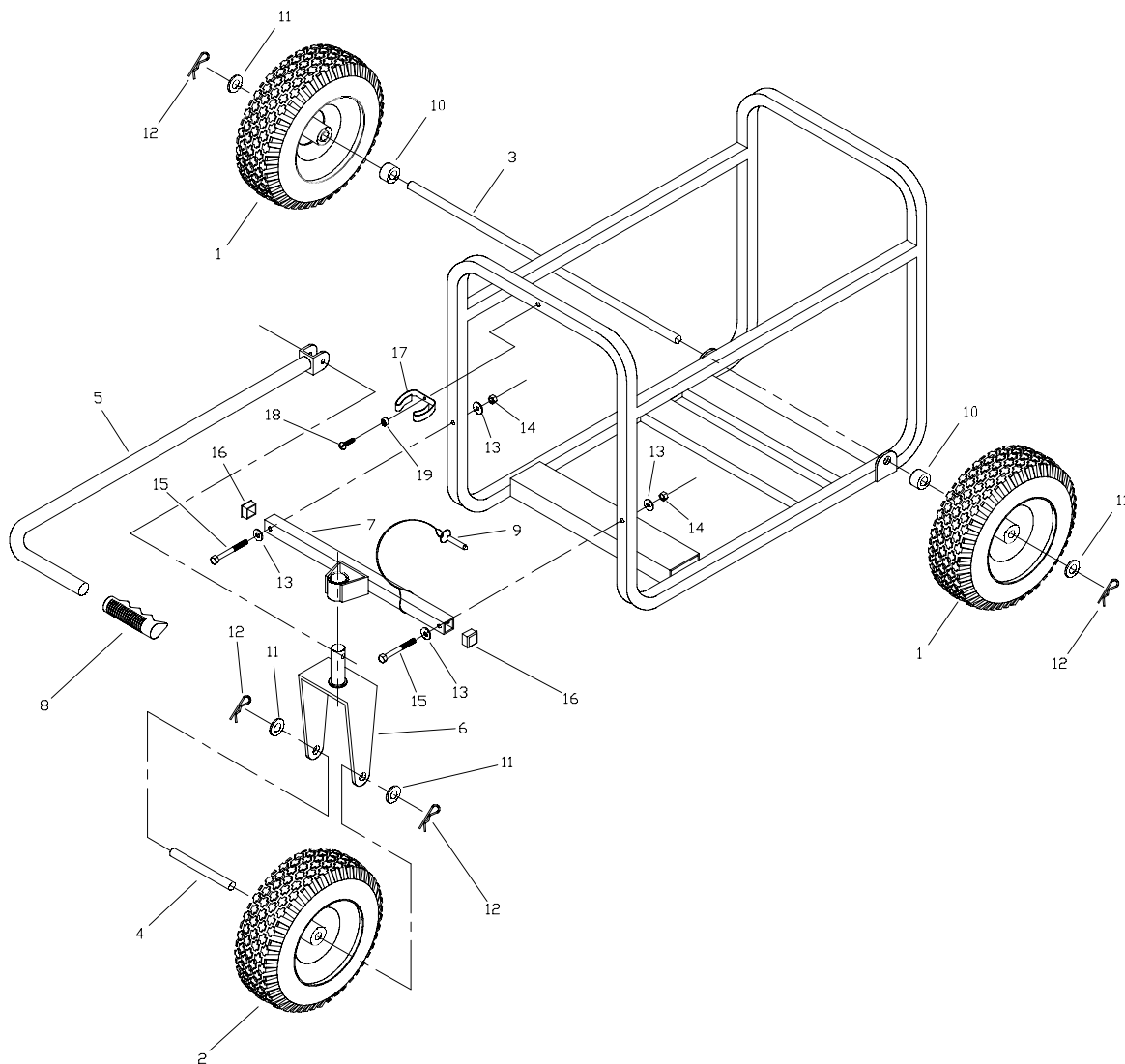
CONTROL PANEL EXPLODED VIEW AND PARTS LIST



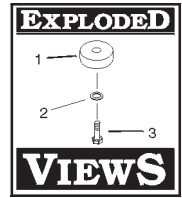
Item	Part #	Qty.	Description	Item	Part #	Qty.	Description
1	BB4689GS	1	PANEL, Control	18	68759GS	2	OUTLET, 120V - 20A Duplex
2	23897GS	4	WASHER, Flat	19	28739AGS	2	WRAP, Black Tie
3	49226GS	4	WASHER, Lock	20	84135GS	1	GROMMET, Rubber
4	91526GS	4	MACHINE SCREW, Phillips Pn Hd	21	84409GS	1	SLEEVING, Flexo
5	B4695GS	1	LIGHT, 12V Backup	22	B1127GS	1	GROMMET, Rubber
6	B4694GS	1	JACK, Coaxial DC Power	23	84242GS	1	GROMMET, Plastic
7	20984GS	1	SWITCH, Rocker (On - Off)	24	64526GS	8	SCREW, Self Tapping
8	77604GS	1	METER, Hour, Hobbs	25	83970GS	1	BOARD, System Control
9	43182GS	2	WASHER, Lock	26	64525GS	4	STAND OFF, Hex
10	51714GS	2	NUT	27	B92069GS	1	BOX, Control Panel
11	75207GS	2	CIRCUIT BREAKER, 20A Manual Reset	28	36900GS	4	MACHINE SCREW, Phillips Pn Hd
12	82081GS	1	BREAKER, 30A Manual 2-Pole	29	23364GS	4	WASHER, Shakeproof
13	23365GS	6	WASHER, Shakeproof	30	190914GS	1	ASSY, Wire Harness
14	43437GS	1	OUTLET, 120/240V - 30A	31	74138GS	1	ADAPTER, Male Disconnect
15	43180GS	6	WASHER, Flat	32	B5112GS	1	ASSY, Diode
16	22264GS	6	WASHER, Lock	33	A3746GS	1	ASSY, Fuse Holder
17	51715GS	6	NUT, Hex		A3747GS	1	FUSE, 10A Normal BLO (Included with Item 33)



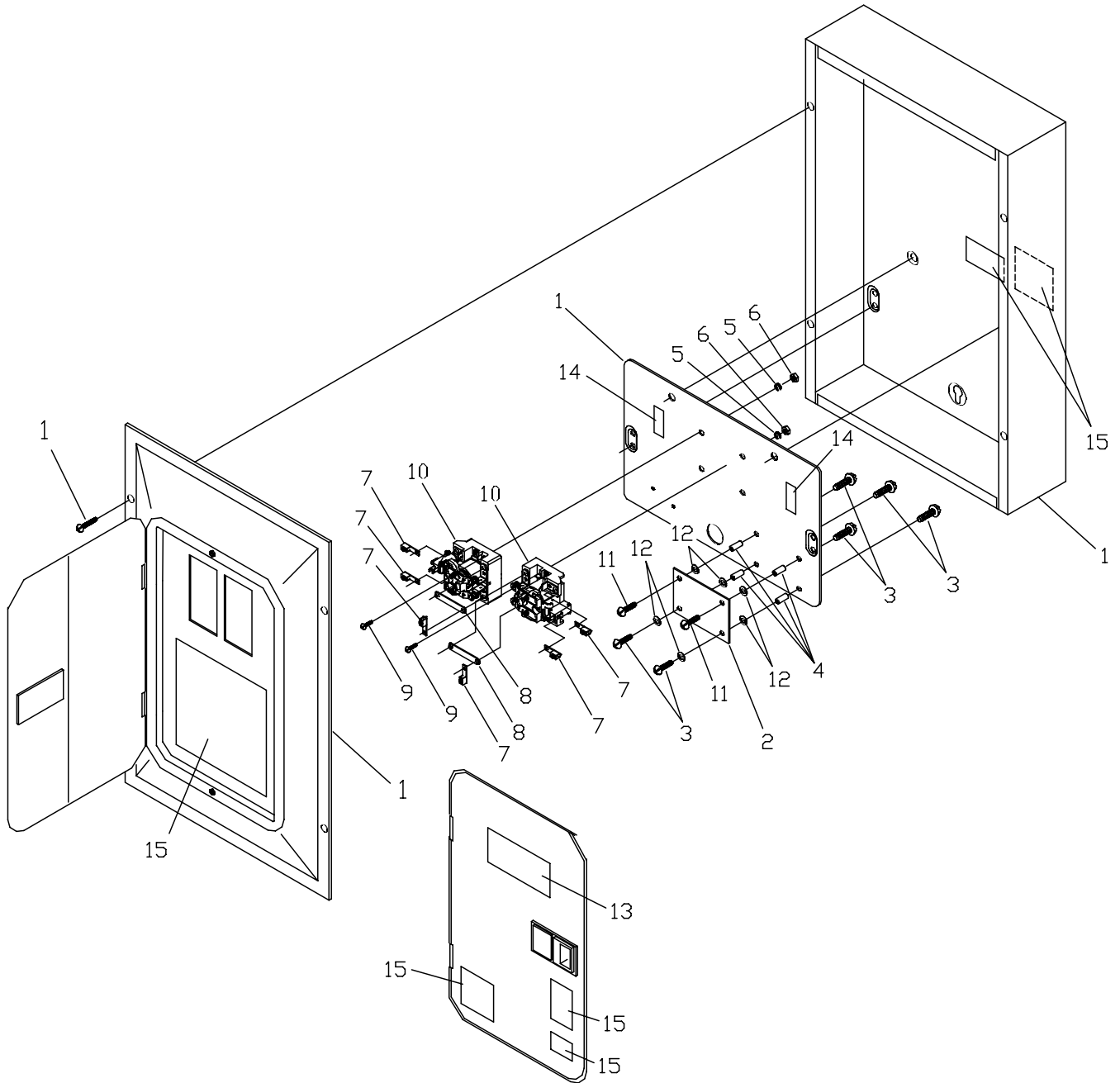
WHEEL KIT EXPLODED VIEW AND PARTS LIST

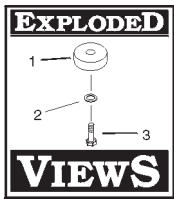


Item	Part #	Qty.	Description	Item	Part #	Qty.	Description
1	89742GS	2	ASSY, Wheel	11	22247GS	4	WASHER, Flat
2	B4905GS	1	ASSY, Wheel Hub Ext.	12	87005GS	4	PIN, Quick Release
3	93693LGS	1	AXLE, Zinc Plate 700	13	96796GS	4	WASHER, Grommet Retainer
4	93693EGS	1	AXLE, Zinc Plate 150	14	52858GS	2	NUT, Locking
5	HB4122GS	1	ASSY, Handle Hitch	15	52203GS	2	CAPSCREW, Hex Head
6	HB3375GS	1	WELDMENT, Fork Pivot	16	46476GS	2	CAP PLUG
7	H190738GS	1	ASSY, Pivot	17	B2427BGS	1	CLIP, Spring
8	B4134GS	1	GRIP, Handle	18	B5164GS	1	SELF DRILLER
9	B4135GS	1	PIN, Handle Release	19	186569GS	1	BUMPER, Recess
10	89635GS	2	SPACER, Wheel				



TRANSFER SWITCH EXPLODED VIEW





TRANSFER SWITCH PARTS LIST

Item	Part #	Qty.	Description
	1	1	LOADCENTER
	2	1	PCB, Control Module
	3	6	MACHINE SCREW, Phillips Head
	4	4	STANDOFF, Hex
	5	4	WASHER, Lock
	6	4	NUT
	7	6	TERMINAL, SLS, 14-6 AWG
	8	2	BAR, BUS, Copper
	9	4	MACHINE SCREW, Phillips Pan Head
	10	2	RELAY, 50 Amp
	11	2	MACHINE SCREW, Phillips Pan Head
	12	6	WASHER, Flat
	13	1	DECAL, S-ATS, BSPP
	14	1	DECAL, Set
	15	1	DECAL, Set



TABLA DE CONTENIDOS

Reglas De Seguridad	32-33
Instalación	34-37
Ensamblaje	38-39
Conozca Su Generador	40
Funcionamiento	41-46
Especificaciones Del Producto / Mantenimiento	47
Almacenamiento	48
Diagnosticos De Averías	49
Esquemático / Digrma Eléctrico	22-25
Piezas De Recambio	26-31

DESCRIPCIÓN DEL EQUIPO

Lea este manual de manera cuidadosa y familiarícese con su generador. Conozca sus usos, sus limitaciones y cualquier peligro relacionado con el mismo.

Felicitaciones por haber adquirido un Sistema de Generador Doméstico (HGS) Briggs & Stratton. El HGS ha sido diseñado para brindar energía eléctrica auxiliar automática durante una interrupción del servicio eléctrico normal. No es apto para uso como fuente principal de energía en reemplazo del servicio de la compañía proveedora de electricidad ni para aplicaciones utilizadas para mantener la vida. La unidad generadora ha sido diseñada y probada según normas precisas de desempeño y confiabilidad y está equipada con un conmutador de transferencia de energía semiautomático con denominación de UL®.

¡PRECAUCIÓN! No sobrepase la capacidad de vataje y amperaje del generador. Revise "No Sobrecargue el Generador" en la página 44.

Se ha hecho cada esfuerzo posible para asegurarse que la información que aparece en este manual es exacta y se encuentra actualizada. Sin embargo, Briggs and Stratton se reserva el derecho a cambiar, alterar o de otra manera mejorar, el producto y este documento en cualquier momento, sin previo aviso.

El Sistema de Control de Emisiones para este generador está garantizado para juegos estándares por la Agencia de Protección Ambiental. Para mayor información acerca de la garantía, consulte con el manual del propietario del motor.

INSTRUCCIONES DE SEGURIDAD

El símbolo de alerta de seguridad (▲) es usado con una palabra (PELIGRO, ADVERTENCIA, PRECAUCIÓN), un mensaje por escrito o una ilustración, para alertarlo acerca de cualquier situación de peligro que pueda existir. **PELIGRO** indica un riesgo el cual, si no se evita, *causará* la muerte o una herida grave. **ADVERTENCIA** indica un riesgo el cual, si no se evita, *puede* causar la muerte o una herida grave. **PRECAUCIÓN** indica un riesgo, el cual, si no se evita, *puede* causar heridas menores o moderadas. **PRECAUCIÓN**, cuando se usa *sin* el símbolo de alerta, indica una situación que podría resultar en el daño del equipo. Siga los mensajes de seguridad para evitar o reducir los riesgos de heridas e inclusive la muerte.

▲ ADVERTENCIA

El escape del motor de este producto contiene elementos químicos reconocidos en el Estado de California por producir cáncer, defectos de nacimiento u otros daños de tipo reproductivo.

▲ PELIGRO



Al funcionar el generador, se produce monóxido de carbono, un gas inodoro y venenoso. El respirar el monóxido de carbono, producirá náusea, desmayo o la muerte.

- Opere el generador SOLAMENTE al aire libre.
- Mantenga al menos 2 pies de espacio libre alrededor del generador, para la adecuada ventilación.
- No opere el generador dentro de un edificio o lugar cerrado, incluyendo el compartimiento del generador en un vehículo recreativo o RV.

▲ PELIGRO



Si no hace tierra apropiadamente con un generador, puede hacer que ocurra un electrocutamiento, especialmente si el generador se equipa con un juego de la rueda.

- Al operar como generador autónomo, los Códigos Nacionales para la Electricidad, requieren que los generadores estén haciendo tierra de una manera aprobada. Llame a un electricista para conocer los requisitos locales para hacer tierra.

▲ PELIGRO



Los generadores producen un voltaje muy poderoso. Si no aísla el generador de utilidades de energía, puede hacer que los trabajadores de electricidad sufran heridas graves e inclusive la muerte, debido a la retroalimentación de la energía eléctrica.

- Cuando use un generador como poder de energía auxiliar, notifique a la compañía de utilidades.
- Use un interruptor para la falla del circuito de tierra (GFCI) en cualquier área bastante húmeda o que sea altamente conductiva, tales como terrazas de metal o trabajo hecho con acero.
- En caso de que se produzca un accidente causado por una descarga eléctrica, cierre inmediatamente la fuente de energía eléctrica. Si eso no fuera posible, intente liberar a la víctima del conducto vivo. **Evite el contacto directo con la víctima.** Utilice un elemento no conductor; como por ejemplo una cuerda o una tabla, para liberar a la víctima del conductor vivo. Si la víctima está inconsciente, ponga en práctica los primeros auxilios y solicite asistencia médica de inmediato.
- No toque los alambres pelados o receptáculos.
- No use un generador con cables eléctricos que estén malgastados, rotos, pelados o dañados de cualquier forma.
- No opere el generador bajo la lluvia.
- No maneje el generador o cables eléctricos mientras esté parado en agua, descalzo o cuando las manos y los pies estén mojados.
- No permita que personas descalzadas o niños operen o sirvan al generador.



ADVERTENCIA

NO DESTINADO PARA EL USO EL PODER COMO PRIMARIO EN LUGAR DE UTILIDAD NI EN APLICACIONES DE APOYO DE VIDA

ADVERTENCIA



La gasolina y sus vapores son extremadamente inflamables y explosivos.



El fuego o una explosión pueden causar quemaduras severas e inclusive la muerte.

CUANDO AÑADA COMBUSTIBLE

- Apague el generador (posición OFF) y déjelo enfriar al menos por 2 minutos antes de remover la tapa de la gasolina. Afloje la tapa lentamente para dejar que la presión salga del tanque.
- Llene el tanque al aire libre.
- No llene demasiado el tanque. Permita al menos espacio para la expansión del combustible.
- Mantenga la gasolina alejada de chispas, llamas abiertas, pilotos, calor y otras fuentes de ignición.
- No encienda un cigarrillo o fume.

CUANDO OPERE EL EQUIPO

- No incline el motor o el equipo, de tal manera que la gasolina se pueda derramar.

CUANDO TRANSPORTE O REPARE EL EQUIPO

- Transporte o repare el equipo con el tanque de combustible vacío, o con la válvula para apagar el combustible, apagada (posición OFF).
- Desconecte el cable de la bujía.

CUANDO ALMACENE O GUARDE EL EQUIPO CON COMBUSTIBLE EN EL TANQUE

- Almacene alejado de calderas, estufas, calentadores de agua, secadoras de ropa u otros aparatos electrodomésticos que posean pilotos u otras fuentes de ignición, porque ellos pueden encender los vapores de la gasolina.

PELIGRO



Las baterías almacenadas producen hidrógeno explosivo mientras estén siendo recargadas.

El hidrógeno puede permanecer cerca de la batería por un periodo largo de tiempo, después que la batería haya sido recargada.

Una pequeña chispa puede encender el hidrógeno y causar una explosión.

Usted puede quedar ciego o sufrir heridas muy graves.



El fluido de electrolito de la batería contiene ácido y es extremadamente cáustico.

El contacto con el fluido de la batería puede causar quemaduras químicas severas.

- No permita ninguna llama abierta, chispa, calor, o encienda un cigarrillo durante y por varios minutos después de haber recargado la batería.
- Lleve puestos las gafas protectoras, delantal y guantes de goma.

ADVERTENCIA



Los motores al funcionar producen calor. La temperatura del silenciador y de las áreas cercanas puede alcanzar o pasar los 150°F (65°C).

Quemaduras severas pueden ocurrir al hacer contacto.

- No toque las superficies calientes.
- Permita que el equipo se enfríe antes de tocarlo.

PRECAUCIÓN

Las velocidades de operación en exceso, aumentan los riesgos de heridas y daños al generador.

Las velocidades bajas en exceso, imponen una carga muy pesada.

- No cambie ninguna velocidad determinada. El generador suministra una frecuencia y un voltaje calificado cuando funciona a una velocidad determinada.
- No modifique al generador en ninguna forma.

PRECAUCIÓN

El sobrepasar la capacidad del amperaje y vataje del generador, puede dañar al generador y los aparatos eléctricos conectados al mismo.

- Vea "No sobrecargue su generador" en la página 44.
- Encienda su generador y deje que el motor se estabilice antes de conectar las cargas eléctricas.
- Conecte las cargas eléctricas en la posición de apagado (OFF), luego encienda (ON) para su operación.
- Apague (OFF) las cargas eléctricas y desconéctelas del generador antes de parar el generador.

PRECAUCIÓN

El tratamiento inadecuado del generador puede dañarlo y acortar su vida productiva.

- Use el generador solamente con la finalidad para el cual fue diseñado.
- Si usted tiene alguna pregunta acerca de las finalidades de uso del generador, pregúntele a su concesionario o contacte a Briggs and Stratton.
- Opere el generador solamente en superficies niveladas.
- No exponga al generador a una humedad excesiva, polvo, suciedad o vapores corrosivos.
- No inserte cualquier objeto a través de las ranuras de enfriamiento.
- Si los aparatos conectados se sobrecalientan, apáguelos y desconéctelos del generador.
- Apague el generador si:
 - Se pierde la salida eléctrica;
 - El equipo produce chispas, humo o emite llamas;
 - La unidad vibra de una manera excesiva.



INTRODUCCIÓN

Briggs and Stratton ha hecho todo lo posible para lograr una instalación segura, eficiente y rentable. Como cada instalación es única, es imposible conocer e informar acerca de todos los procedimientos y métodos mediante los cuales se puede realizar la instalación. Tampoco es posible conocer los riesgos o resultados potenciales de cada método o procedimiento. Por todo lo expuesto,

Instalación de los Sistemas de Generadores Domésticos (HGS) debe estar a cargo de contratistas especializados en electricidad. Las instalaciones deben cumplir estrictamente con todos los códigos, regulaciones y normas industriales aplicables.

El Sistema de Generador Doméstico Briggs & Stratton incluye este "Manual del Propietario" y un "Manual de Instalación" separado (número de parte: 190854). Estos son dos documentos muy importantes que el propietario debe conservar una vez finalizada la instalación.



¡ADVERTENCIA! Según el Código Nacional de Electricidad (National Electric Code), la conexión de un generador a cualquier circuito eléctrico normalmente alimentado por una compañía proveedora de electricidad debe realizarse utilizando el equipo de conmutación de transferencia aprobado, de manera tal de aislar el circuito eléctrico del sistema de distribución de energía cuando el generador está en operación. Si no se aíslan los circuitos eléctricos mediante el equipo antes mencionado, se pueden producir lesiones o la muerte de trabajadores de la compañía proveedora de electricidad como consecuencia de la retroalimentación de la energía eléctrica.

De acuerdo con el Artículo 702 del Código Nacional de Electricidad y las normas ANSI/NFPA 70, el equipo de conmutación de transferencia semiautomático es apto para este tipo de instalaciones. Este equipo de conmutación de transferencia es adecuado para utilizarlo en un circuito capaz de entregar un máximo de 10000 A de corriente simétrica de valor eficaz (RMS), 125/240 V, cuando se instala del lado de la carga de un circuito derivado apropiado. Sólo para uso en interiores. La caja de conexiones es una NEMA tipo I, destinada a uso en exteriores.

Asistencia para la Instalación

Para el Propietario Comercial o Doméstico:

Para que pueda tomar decisiones fundamentadas y lograr una comunicación efectiva con el o los contratistas de instalación,

Lea y comprenda la sección de este manual denominada Orientación para el Propietario ANTES de contratar o iniciar la instalación de su Sistema de Generador Doméstico (HGS).

Para coordinar y organizar una instalación adecuada, consulte al comercio en el cual adquirió su Sistema de Generador Doméstico Briggs & Stratton, a su agente de ventas o a la compañía proveedora de electricidad.

La garantía del HGS se ANULA si la instalación del sistema no está a cargo de profesionales especializados en electricidad debidamente certificados y matriculados.

Para el Agente de Ventas/Contratista que Realiza la Instalación:

Para la mayoría de las aplicaciones, el Manual de Instalación contiene toda la información necesaria para instalar y arrancar adecuadamente el Sistema de Generador Doméstico. En este Manual del Propietario se describe la selección de los circuitos fundamentales, la operación de rutina y los procedimientos de mantenimiento que debe llevar a cabo el propietario.

Si necesita más información, llame al 1-800-743-4115, entre las 8:00 AM y las 5:00 PM hora del centro.

ORIENTACIÓN PARA EL PROPIETARIO

En esta sección se brinda al propietario del Sistema de Generador Doméstico la información necesaria para lograr la instalación más rentable y satisfactoria posible.

Las ilustraciones se aplican a circunstancias típicas y están destinadas a que usted se familiarice con las opciones de instalación disponibles con su Sistema de Generador Doméstico. El entendimiento completo de dichas opciones permite tener un control fundamental sobre el costo de la instalación y garantiza su seguridad y satisfacción final.

Los códigos locales, la apariencia, los niveles de ruido y las distancias son los factores fundamentales a tener en cuenta cuando se realiza la negociación con el profesional que posiblemente tenga a su cargo la instalación. Recuerde que se deben respetar las distancias con respecto a los materiales de cableado y los servicios eléctricos existentes. Esto es necesario para cumplir con los códigos locales y solucionar las caídas en la tensión eléctrica.

Los factores antes mencionados tendrán un efecto directo sobre el precio general de la instalación del Sistema de Generador Doméstico.

NOTA: En algunas áreas, es posible que deba obtener permisos especiales para instalar el Sistema de Generador Doméstico y para niveles de ruido admisibles. El instalador debe verificar los códigos locales y obtener los permisos correspondientes antes de instalar el sistema.



Ubicación del Generador

La ubicación física real del generador de respaldo tiene un efecto directo sobre la cantidad de cables necesarios para controlar y conectar el generador.

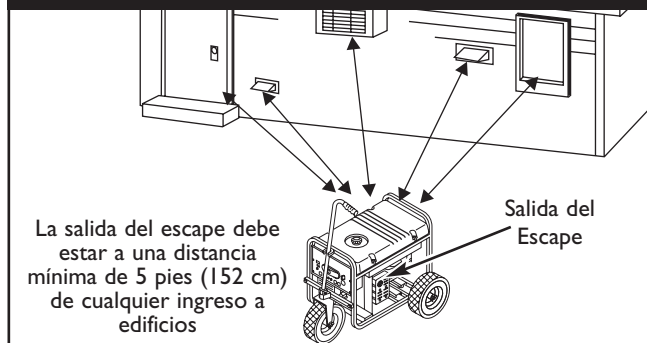
NOTA: En el Manual de Instalación se analizan las pautas específicas para la ubicación. Familiarícese con esa información y consulte al instalador. Asegúrese de consultar de qué manera el predio o sitio podría afectar los costos de instalación y el cumplimiento de las normas y los códigos locales.

Distancias Desde el Generador

El generador debe ubicarse a una distancia mínima de 3 pies (92 cm) de materiales combustibles (NFPA 37). Deje al menos 3 pies (92 cm) en todo el perímetro del generador para facilitar el acceso al mismo.

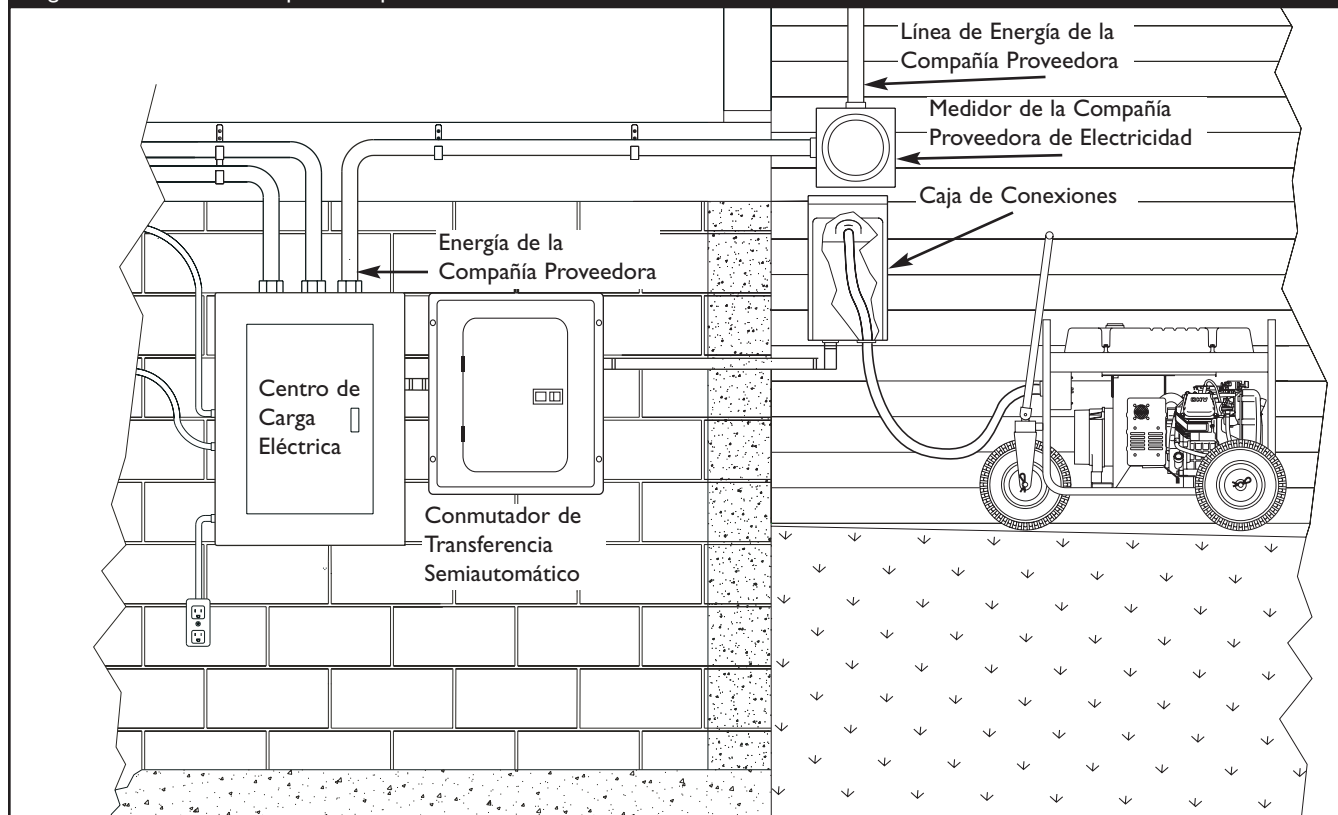
La salida del escape de la unidad debe estar por lo menos a 5 pies (152 cm) de cualquier ingreso a edificios (ventanas, puertas, espacios de ventilación, etc.) y los gases del escape no deben acumularse en espacios habitados (Figura 17).

Figura 17 — Distancias desde el Sistema de Generador Doméstico



La Figura 18 identifica los componentes del sistema y muestra detalles típicos de la instalación. Las variantes de esta ilustración se relacionan con materiales y temas de códigos.

Figura 18 — Instalación Típica Completa del Conmutador de Transferencia Semiautomático





Circuitos Fundamentales

Como propietario de un Sistema de Generador Doméstico, es importante que usted pueda identificar claramente los circuitos de su edificio que resultan "fundamentales" para usted. El Sistema de Generador Doméstico viene equipado con un conmutador de transferencia semiautomático. Cuando el cableado se realiza en forma correcta, la selección de los circuitos fundamentales debe pasar a la energía del generador dentro de los 10 segundos (+/- 5 segundos) después de que el generador haya sido conectado y puesto en funcionamiento.

Es importante que el instalador comprenda cuáles son los circuitos que usted desea incluir como "Circuitos fundamentales". Dependiendo de la potencia consumida por esos circuitos, la mayoría de ellos o todos pueden pasar al Sistema de Generador Doméstico por el tiempo que dure la interrupción del servicio eléctrico normal.

La guía de referencia de potencias que se muestra en la Figura 19 puede ayudarle a tomar una decisión. En ella encontrará la potencia utilizada por la mayoría de los dispositivos domésticos de uso habitual. Utilice esa información como guía para seleccionar los circuitos fundamentales. Analice esa información con el instalador y consulte sobre cualquier factor técnico que pudiera tener algún efecto sobre el costo de la instalación.

Selección de los Circuitos Fundamentales

Al seleccionar los circuitos fundamentales que pasarán a "Energía de Respaldo", es importante que la suma de las cargas de los circuitos combinados no supere la capacidad de potencia/corriente del generador. Tenga en cuenta lo siguiente para facilitar la selección de los circuitos fundamentales:

Sume la potencia total de todos los dispositivos eléctricos que se van a conectar al mismo tiempo. Este total **NO** debe ser mayor que la capacidad de vatiaje del generador

La potencia nominal de la iluminación puede obtenerse observando las lámparas. La potencia nominal de las herramientas, los electrodomésticos y los motores, por lo general se puede encontrar en una placa de datos o en una calcomanía adherida a cada dispositivo.

Si el electrodoméstico, la herramienta o el motor no muestra el valor de potencia, multiplique 120 Voltios por el valor nominal de corriente en Amperios para determinar los vatios ($\text{Voltios} \times \text{Amperios} = \text{Vatios}$).

Algunos motores eléctricos (los del tipo de inducción) requieren aproximadamente tres veces más vatios de potencia para arrancar que la que utilizan mientras están en funcionamiento. Esta sobrecarga dura sólo unos pocos segundos. Asegúrese de tener en cuenta este elevado valor de potencia de arranque cuando seleccione los dispositivos eléctricos que serán energizados utilizando el Sistema de Generador Doméstico.

Considere los vatios necesarios para arrancar el motor más grande.

Agregue ese valor a los vatios totales necesarios para el funcionamiento de todas las otras cargas conectadas.

Figura 19 — Guía de Referencia de Potencia

	Dispositivo	Vatía de operación
<input type="checkbox"/>	Acondicionador de aire (12000 Btu)*	1700
<input type="checkbox"/>	Acondicionador de aire (24000 Btu)*	3800
<input type="checkbox"/>	Acondicionador de aire (40000 Btu)*	6000
<input type="checkbox"/>	Cargador de baterías (20 amperios)	500
<input type="checkbox"/>	Sierra circular (6-1/2")	entre 800 y 1000
<input type="checkbox"/>	Secadora de ropa (eléctrica)*	5750
<input type="checkbox"/>	Secadora de ropa (a gas)*	700
<input type="checkbox"/>	Lavadora de ropa*	1150
<input type="checkbox"/>	Cafetera	1750
<input type="checkbox"/>	Compresor (1 HP)*	2000
<input type="checkbox"/>	Compresor (1/2 HP)*	1400
<input type="checkbox"/>	Compresor (3/4 HP)*	1800
<input type="checkbox"/>	Tenacillas rizadoras	700
<input type="checkbox"/>	Deshumidificador*	650
<input type="checkbox"/>	Manta eléctrica	400
<input type="checkbox"/>	Cocina eléctrica (por elemento)	1500
<input type="checkbox"/>	Sartén eléctrica	1250
<input type="checkbox"/>	Freezer*	700
<input type="checkbox"/>	Ventilador de caldera (3/5 HP)*	875
<input type="checkbox"/>	Sistema de apertura de la puerta del garaje*	entre 500 y 750
<input type="checkbox"/>	Secador de cabello	1200
<input type="checkbox"/>	Taladro de mano	entre 250 y 1100
<input type="checkbox"/>	Plancha	1200
<input type="checkbox"/>	Bomba de chorro*	800
<input type="checkbox"/>	Lámpara de luz	100
<input type="checkbox"/>	Horno de microondas	entre 700 y 1000
<input type="checkbox"/>	Refrigerador de leche*	1100
<input type="checkbox"/>	Quemador de aceite en una caldera	300
<input type="checkbox"/>	Calefactor de ambientes a aceite (140000 Btu)	400
<input type="checkbox"/>	Calefactor de ambientes a aceite (30000 Btu)	150
<input type="checkbox"/>	Calefactor de ambientes a aceite (85000 Btu)	225
<input type="checkbox"/>	Radio	entre 50 y 200
<input type="checkbox"/>	Refrigerador	700
<input type="checkbox"/>	Aparato para cocimiento lento	200
<input type="checkbox"/>	Bomba sumergible (1 HP)*	2000
<input type="checkbox"/>	Bomba sumergible (1/2 HP)*	1500
<input type="checkbox"/>	Bomba sumergible (1-1/2 HP)*	2800
<input type="checkbox"/>	Bomba de sumidero*	entre 800 y 1050
<input type="checkbox"/>	Sierra de banco (10")*	entre 1750 y 2000
<input type="checkbox"/>	Televisor	entre 200 y 500
<input type="checkbox"/>	Tostadora	entre 1000 y 1650

*Considere tres (3) veces el vatía de operación para arrancar el dispositivo



DESEMPAQUE

Generador

- Ubique la caja sobre una superficie plana y rígida con las flechas apuntando hacia arriba.
- Abra cuidadosamente las tapas superiores de la caja.
- Corte hacia abajo los vértices en uno de los extremos de la caja, de arriba hacia abajo y baje ese lado para que quede plano.
- Retire todo el material de empaque, los rellenos de la caja, etc.
- Retire el generador de la caja.

Conmutador de Transferencia

El conmutador de transferencia semiautomático ya viene listo para la instalación. Inspeccione el conmutador y los componentes que lo acompañan para detectar posibles daños ocurridos durante el traslado.

La caja de conexiones viene lista para conectarse. Inspeccione el cable de alimentación eléctrica y los enchufes de conexión para detectar posibles daños.

Elementos no Incluidos con el Conmutador de Transferencia Semiautomático:

Los siguientes elementos, necesarios para la instalación del sistema, no vienen incluidos y deben ser provistos por el instalador:

1. Herramientas necesarias para la instalación.
2. Anclajes y tornillos para montar los conductos y los componentes del sistema de transferencia de energía.
3. Conductos, accesorios de adaptación, tuercas para cables y cables de cobre aislados para realizar la conexión del conmutador de transferencia semiautomático a la caja de conexiones externa.

Inspección al Momento de la Entrega

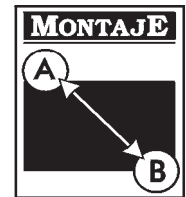
Luego de retirar la caja, inspeccione cuidadosamente el Generador Doméstico y los componentes del Conmutador de transferencia de energía semiautomático para detectar cualquier daño que pudiera haber ocurrido durante el traslado.

IMPORTANTE: Si en el momento de la entrega se detecta alguna pérdida o daño, solicite a la persona o personas encargadas de la entrega que dejen debida constancia en la nota de entrega y que firmen debajo de la nota del consignador donde se informa acerca de la pérdida o daño. Si la pérdida o el daño se detecta después de la entrega, separe los materiales dañados y póngase en contacto con el transportista para llevar a cabo los procedimientos de reclamo. Las piezas perdidas o dañadas no están garantizadas.

Contenido de la Caja

El Sistema de Generador Doméstico Incluye lo Siguiete:

- Generador de 6500 vatios
- Conmutador de transferencia de energía semiautomático
- Caja de conexiones
- Conjunto del cable de conexión (cable de alimentación eléctrica)
- Equipo de la rueda
- Tapón de bloqueo de 30 Amperios
- Dos frascos de aceite para motores
- Cargador de flotante
- Luz de emergencia recargable
- Manual de instalación (190854)
- Manual del propietario (190732)
- Garantía del producto (190881)
- Lista de verificación de la instalación (190840)



INSTALACIÓN DEL EQUIPO DE LA RUEDA

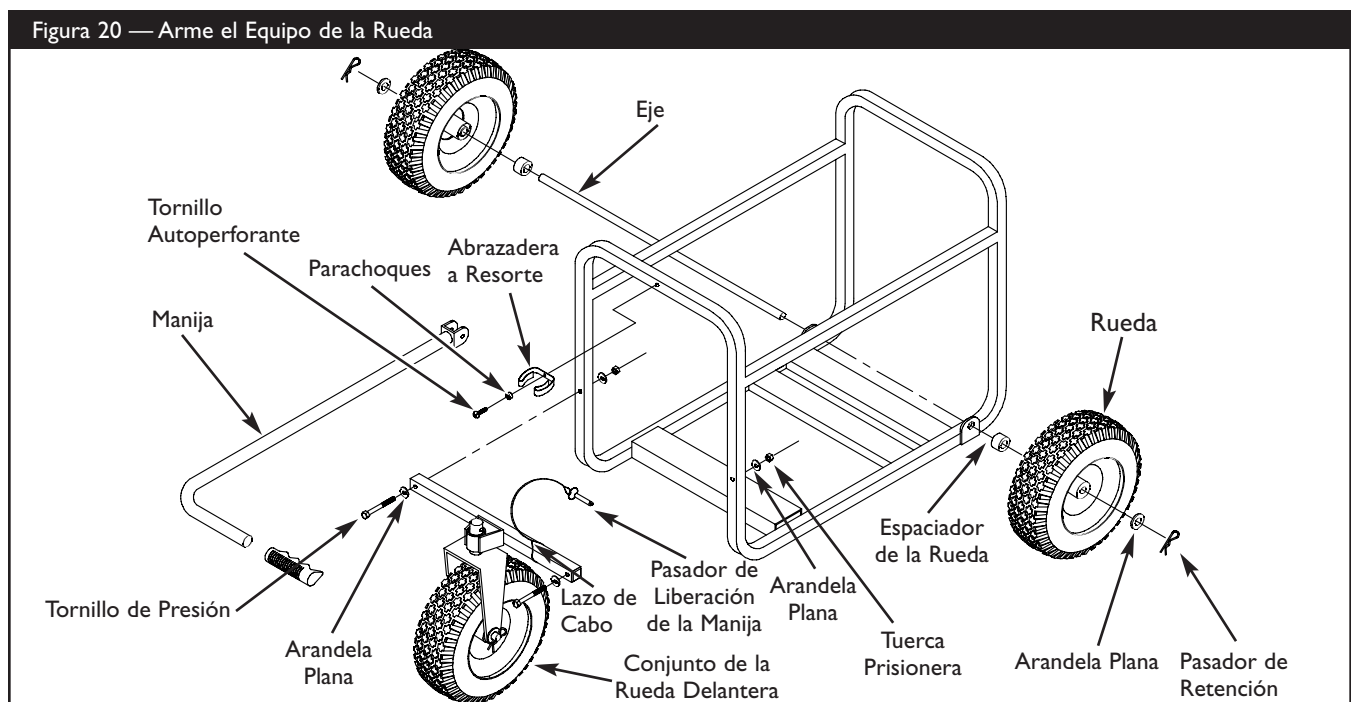
Para llevar a cabo la instalación del equipo de la rueda, se necesitan las siguientes herramientas:

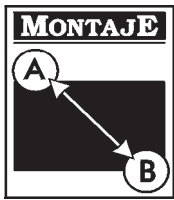
- Llave de tubo con tubos de 1/2" o 13 mm
- Destornillador tipo Phillips
- Pinzas de puntas de aguja (si equipó con el e-ring)

Instale el Equipo de la Rueda de la Siguiete Manera: (Vea la Figura 20)

1. Ubique el generador sobre una superficie rígida y plana. Eleve transitoriamente la unidad utilizando bloques para facilitar el armado.
2. Deslice el eje a través de los orificios de los soportes provistos en la base de soporte del generador y agregue los dos espaciadores en cada extremo saliente del eje.
- 3A. Deslice una rueda en cada extremo del eje y fíjela utilizando una arandela y un pasador de retención (o e-ring colocando el e-ring en la ranura del eje).
- 3B. Coloque un extremo de las pinzas de puntas de aguja en la parte inferior del eje y el otro extremo de las pinzas en la parte superior del e-ring. Asiente el e-ring cerrando las pinzas.
4. Deslice el lazo del cabo del pasador de liberación de la manija sobre la barra del conjunto de la rueda delantera, tal como se muestra.
5. Una el conjunto de la rueda delantera a la base de soporte utilizando los tornillos de presión, las arandelas planas y las tuercas prisioneras. Retire los bloques transitorios.
6. Deslice los parachoques en el pre tornillo auto taladre enhebrado y conecte el clip de resorte al generador.
7. Coloque la manija en el conjunto de la rueda delantera utilizando el pasador de liberación de la manija.
8. Controle que todos los sujetadores estén ceñidos y que los neumáticos estén inflados adecuadamente. El rango de operación debe estar entre 15 y 40 psi (libras por pulgada cuadrada).

NOTA: Instale las ruedas con la válvula de inflado con aire orientada hacia fuera.



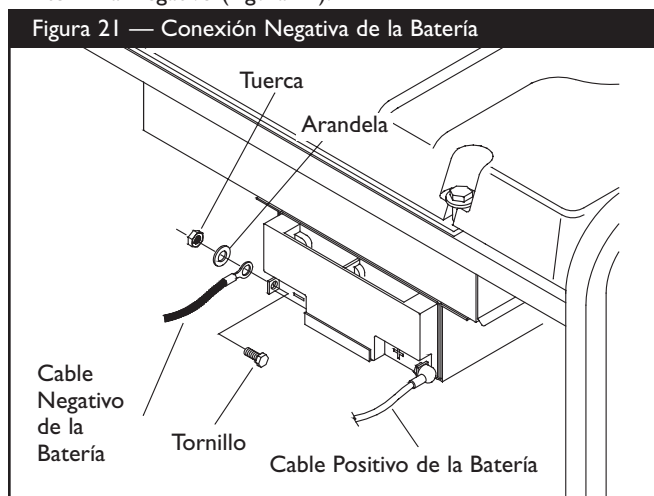


VERIFIQUE LA BATERÍA / CONECTE EL CABLE NEGATIVO DE LA BATERÍA

La batería sellada en el generador esta completamente cargada y ha sido pre-instalada, excepto por el cable negativo (negro) de batería.

Para instalar:

- Corte el cablecito que está aguantando el cable negro, para poderlo usar.
- Remueva la tuerca y la arandela en el terminal negativo de la batería.
- Deslice el cable negativo de la batería sobre el tornillo en el terminal negativo (Figura 21).



- Reconecte la arandela y la tuerca, y apriétela.
- Asegúrese que las conexiones a la batería y al generador están apretadas y aseguradas.

ANTES DE DARLE ARRANQUE AL MOTOR

Agregar Aceite al Motor

¡PRECAUCIÓN! Cualquier intento para arrancar el motor antes de haberle proporcionado el mantenimiento apropiado con el aceite recomendado, podría ocasionar la falla del motor.

Para llenar su motor con aceite:

- Coloque la generador sobre una superficie nivelada.
- Consulte el manual del propietario del motor para añadir al motor el aceite recomendado.

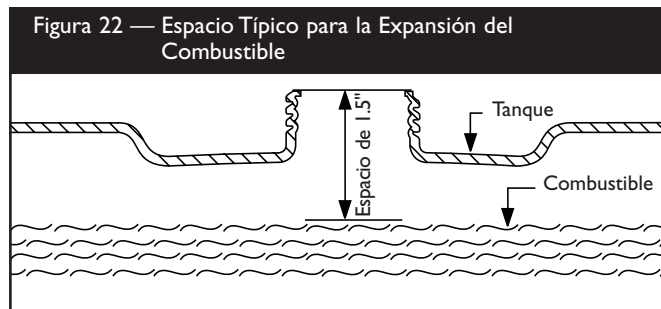
NOTA: El campo giratorio del generador se encuentra en un cojinete pre-lubricado y sellado que no requiere lubricación adicional por la vida útil del cojinete.

Agregue Gasolina

¡ADVERTENCIA! Nunca llene el tanque del combustible en recintos cerrados. **Nunca** llene el tanque del combustible cuando el motor esté en funcionamiento o caliente. **No** encienda cigarrillos o fume cuando esté llenando el tanque del combustible.

¡ADVERTENCIA! No llene excesivamente el tanque de combustible. Deje suficiente espacio para la expansión del combustible.

- Use gasolina regular **SIN CONTENIDO DE PLOMO** en el generador. **No** use gasolina premium. **No** mezcle aceite con gasolina.
- Limpie el área alrededor del llenado de gasolina; retire la tapa.
- Llene lentamente el tanque con gasolina sin contenido de plomo. Sea cuidadoso de no llenar excesivamente. Deje 1.5" de espacio en el tanque para que la expansión del combustible, como se muestra en esta ilustración (Figura 22).



- Instale la tapa del combustible y limpie cualquier derrame de gasolina.

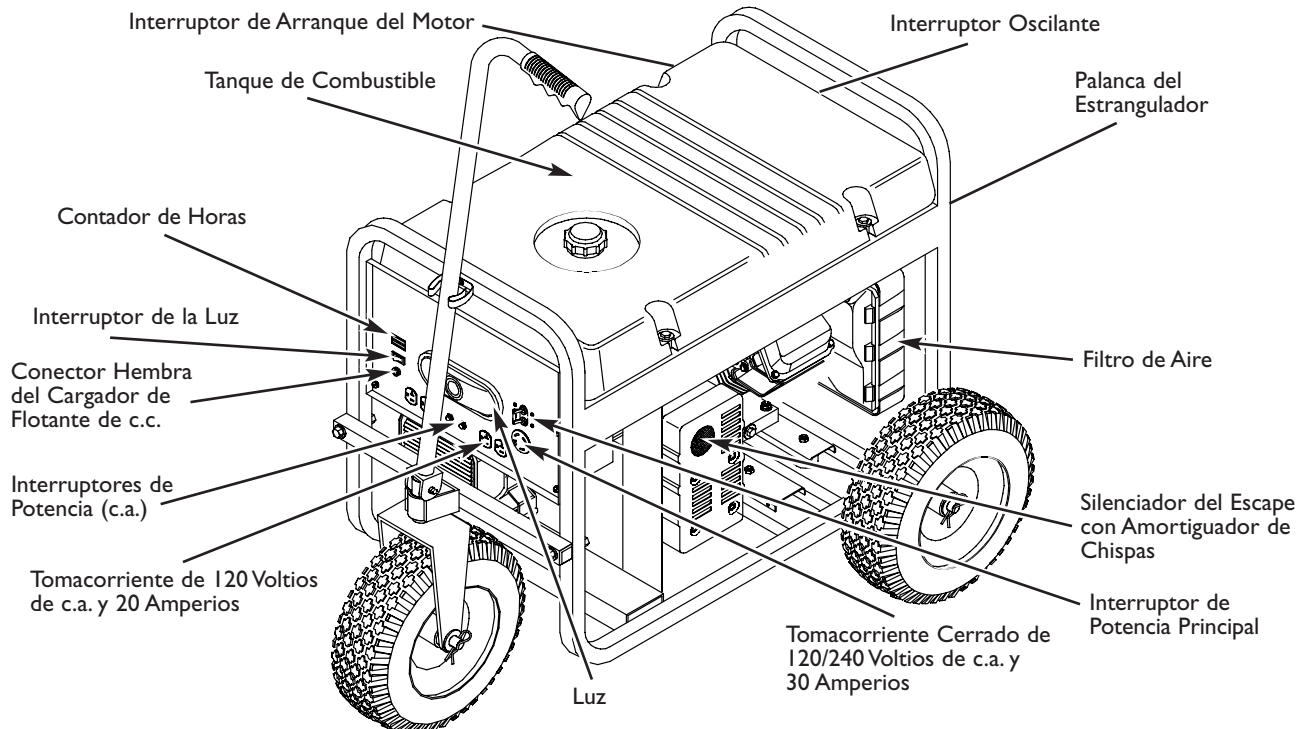
IMPORTANTE: Es importante evitar la formación de depósitos de goma en las partes esenciales del sistema de combustible como en el carburador, filtro del combustible, manguera del combustible o tanque, durante su almacenamiento. Los combustibles mezclados con alcohol (llamados gasohol, etanol o metanol) pueden atraer la humedad, la cual produce la separación y formación de ácidos durante el almacenamiento. La gasolina ácida puede dañar el sistema de combustible de un motor durante su almacenamiento.

Para evitar problemas en el motor, deberá vaciar el sistema de combustible antes de períodos de almacenamiento de 30 días o más. Vea "Almacenamiento" en la página 48. **Nunca** use productos para limpiar motores o carburadores en el tanque del combustible; si lo hace ocurrirán daños permanentes.

CONOZCA SU GENERADOR DOMÉSTICO

Lea este manual del propietario y las reglas de seguridad antes de operar su generador.

Compare las ilustraciones con su Generador para familiarizarse con las ubicaciones de los diferentes controles y ajustes. Conserve este manual para referencias futuras.



Arrancador de Retroceso - (No se muestra) Se utiliza como un método de respaldo para arrancar el motor.

Conector Hembra del Cargador de Flotante de c.c. - Enchufe el cargador de flotante de la batería en este conector y al tomacorriente de pared del edificio para proporcionar una carga gradual durante el almacenamiento.

Contador de Horas - El contador de horas registra la cantidad total de horas durante las cuales el generador ha estado funcionando. Se utiliza para programar las tareas de mantenimiento.

Filtro de Aire - Utiliza un elemento de filtro tipo seco y prefiltro de espuma para limitar la cantidad de polvo y suciedad que ingresa al motor.

Interruptor de Arranque del Motor - Presiónelo para arrancar el motor.

Interruptor de Potencia Principal - Se utiliza para desconectar la energía del tomacorriente de 30 Amperios de la unidad.

Interruptor Oscilante - Ponga este interruptor en la posición "On" antes del arranque. Ponga el interruptor en "Stop" para apagar el motor.

Interruptores de Potencia (c.a.) - Cada tomacorriente cuenta con un interruptor de potencia que protege al generador contra sobrecargas eléctricas. Los interruptores son del tipo "presionar para restablecer".

Luz e interruptor de la Luz - Proporciona luz durante una interrupción del servicio eléctrico de manera tal que permite la conexión segura del generador a la caja de conexiones. La luz se enciende y se apaga utilizando el Interruptor de la luz.

Palanca del Estrangulador - Se utiliza cuando se arranca un motor frío.

Silenciador del Escape con Amortiguador de Chispas - El silenciador del escape reduce el ruido del motor. Está equipado con un filtro amortiguador de chispas.

Tanque de Combustible - Capacidad de ocho (8) galones americanos.

Tomacorriente Cerrado de 120/240 Voltios de c.a. y 30 Amperios - Se puede utilizar para suministrar energía eléctrica para la operación de cargas de motores, herramientas, electrodomésticos, artefactos de iluminación de 120 o 240 Voltios de c.a., 30 Amperios de corriente monofásica y 60 Hz.

Tomacorriente de 120 Voltios de c.a. y 20 Amperios - Se pueden utilizar para suministrar energía eléctrica para la operación de cargas de motores, herramientas, electrodomésticos, artefactos de iluminación de 120 Voltios de c.a., 20 Amperios de corriente monofásica y 60 Hz.

Tuerca Mariposa para Puesta a Tierra - (No se muestra, vea la página 41). Se utiliza para la adecuada puesta a tierra de la unidad.



CONEXIÓN A TIERRA DEL GENERADOR

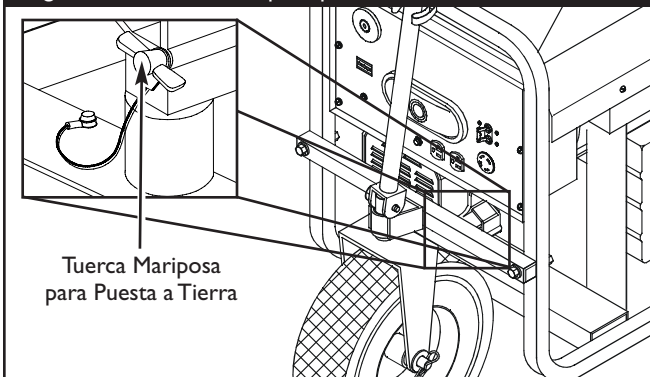
El Código Nacional de Electricidad dispone que el bastidor y las piezas exteriores con capacidad de conducción eléctrica de este generador cuenten con una conexión a tierra adecuada y aprobada. Es posible que los códigos de electricidad locales también requieran la conexión a tierra correspondiente. Toda vez que la unidad se conecta a la caja de entrada de potencia adecuadamente instalada en el sistema, el generador se conecta automáticamente al sistema de puesta a tierra del edificio.

IMPORTANTE: Cuando la unidad se utiliza como un generador autónomo, se la debe conectar a una varilla de toma de tierra.

La adecuada conexión a tierra del generador ayuda a evitar descargas eléctricas si se produce alguna falla a tierra en el generador o en los dispositivos eléctricos conectados, especialmente si el generador se equipa con un juego de la rueda. También ayuda a disipar la electricidad estática que, con frecuencia, se genera en dispositivos sin conexión a tierra.

Para realizar la conexión a tierra se incluye una **TUERCA MARIPOSA PARA CONEXIÓN A TIERRA** (Figura 23).

Figura 23 — Tuerca Mariposa para Puesta a Tierra



Si se conecta un alambre de cobre trenzado de 12 AWG (calibre americano de cable) a la tuerca mariposa para puesta a tierra y a una varilla de cobre o de latón (electrodo) para toma de tierra, se puede lograr una protección adecuada contra descargas eléctricas.

¡PRECAUCIÓN! No conecte la unidad a una varilla de toma de tierra mientras está conectada a la caja de entrada de potencia del edificio.

OPERACIÓN DEL GENERADOR

¡PRECAUCIÓN! Nunca encienda o pare el motor con las cargas eléctricas conectadas a los receptáculos Y con los aparatos conectados ENCENDIDOS.

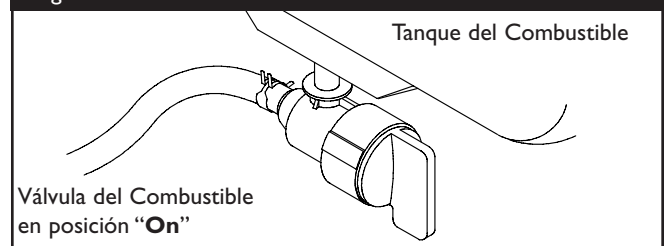
IMPORTANTE: Siempre desconecte el cargador de flotante de la batería antes de arrancar el generador.

Encienda el Motor

Desconecte todas las cargas eléctricas del generador. Siga estos pasos de instrucción para el arranque en orden numérico:

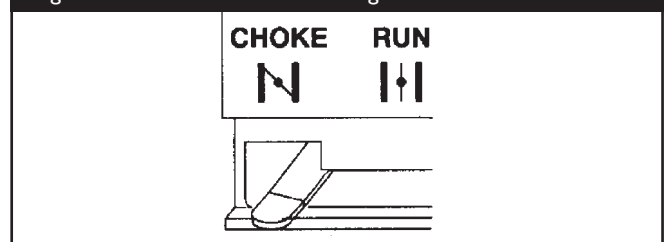
1. Ponga la válvula de combustible en la posición "On" (Figura 24).

Figura 24 — Válvula de Combustible



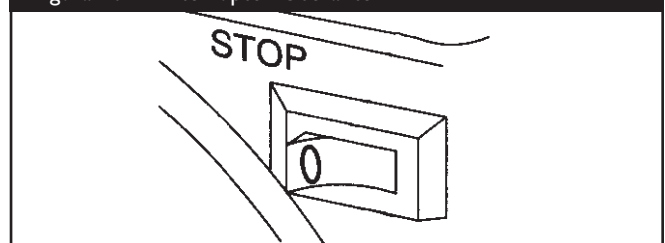
2. Para arrancar un motor frío, ponga la palanca del estrangulador en la posición indicada como "Choke". Para volver a arrancar un motor tibio, deje la palanca del estrangulador en la posición indicada como "Run" (Figura 25).

Figura 25 — Posiciones del Estrangulador



3. Ponga el interruptor oscilante en la posición "On" (Figura 26).

Figura 26 — Interruptor Oscilante





- 4A. Para el arranque eléctrico, presione el interruptor de arranque ubicado en la base de soporte del generador. Para prolongar la vida útil de los componentes del arrancador, presione el botón del arrancador durante un tiempo máximo de 15 segundos y espere 30 segundos.
- 4B. Para realizar el arranque manual, tome el mango del arrancador y tire lentamente de él hasta que sienta resistencia. Luego tire de la cuerda con un rápido movimiento del brazo. Deje que la sogla regrese lentamente. **No** permita que la sogla vuelva bruscamente hacia el arrancador.
5. Si la palanca del estrangulador había sido colocada en la posición "**Choke**" para arrancar el motor, muévala gradualmente hacia la posición "**Run**" a medida que el motor se va calentando.

NOTA: Si el motor sigue sin arrancar luego de tirar 3 veces de la sogla, verifique que el nivel de aceite del cárter sea el adecuado. Esta unidad está equipada con un Sistema de paro por bajo nivel de aceite. Consulte el manual del motor.

Remítase al manual del propietario del motor para conocer las instrucciones completas para el arranque.

Conexión de las Cargas Eléctricas

- Deje que el motor se estabilice y se caliente durante algunos minutos luego del arranque.
- Ponga el interruptor principal del generador en ON para energizar el conector de 30 Amperios.
- Conecte la unidad a la caja de entrada de potencia, siguiendo las instrucciones de conexión que aparecen en la sección "Conmutación a la Potencia del Generador" en la página 45. O conecte y encienda las cargas eléctricas monofásicas de 120 o 240 Voltios de c.a. y 60 Hertz deseadas.
- **No** conecte cargas de 240 Voltios a tomacorrientes de 120 Voltios.
- **No** conecte cargas trifásicas al generador.
- **No** conecte cargas de 50 Hz al generador.
- **NO SOBRECARGUE EL GENERADOR.** Cuando no utilice el conmutador de transferencia semiautomático, sume las potencias nominales en vatios (o los Amperios) de todas las cargas que se van a conectar al mismo tiempo. Este total no debe ser mayor que la capacidad nominal de vatiaje/amperaje del generador. Vea la sección titulada "No Sobrecargue el Generador" en la página 44.

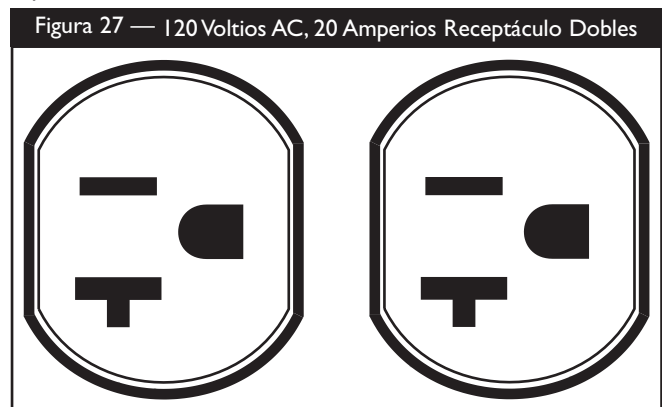
Paro del Motor

- Desconecte **todas** las cargas eléctricas de los tomacorrientes del panel del generador. **Nunca** de arranque o detenga el motor con los dispositivos eléctricos conectados y encendidos.
- Deje que el motor funcione sin cargas por algunos minutos para estabilizar las temperaturas internas del motor y el generador.
- Ponga la palanca reguladora en la posición "**Slow**" (lenta).
- Ponga la válvula de combustible en la posición "**Off**".
- Espere a que el motor entre en estado de inactividad.
- Ponga el interruptor oscilante en la posición "**Stop**" (paro).

RECEPTÁCULOS

120 Volt AC, 20 Amperios, Receptáculos Dobles

Cada receptáculo (Figura 27) está protegido en contra de sobrecargas por un corto-circuitos de, del tipo "empuje para reposicionar".



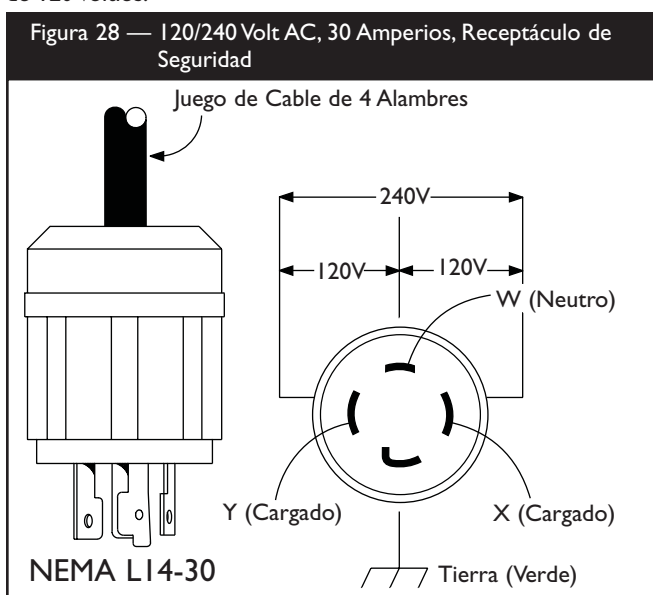
Use cada receptáculo para operar 120 Voltios AC, de fase sencilla, de cargas de 60Hz que requieren hasta 2,400 Voltios (2.4 kW) a corrientes de 20 Amperios. Use los juegos de cables que son calificados para cargas de 125 Voltios AC, a 20 Amperios (o mayores).



120/240 Voltios AC, 30 Amperios, Receptáculo de Seguridad

Utilice este enchufe para conectar la unidad a la caja de conexiones mediante el cable incluido.

Con este tomacorriente se utiliza un enchufe tipo NEMA L14-30. Conecte un cable de 4 hilos preparado para trabajar con cargas de 250 Voltios de c.a. a 30 Amperios (o más) (Figura 28). Puede utilizar el mismo cable de 4 hilos si piensa trabajar con una carga de 120 Voltios.



Este receptáculo le provee poder a cargas de 120/240 Voltios AC, de 60 Hz, fase sencilla, que requieren hasta 3,600 Voltios de energía a 30 Amperios, para 120 Voltios; 6,500 Voltios de energía (6.5 kW) a 27.1 Amperios para 240 Voltios. La salida está protegida por un corto-circuito.



¡PRECAUCIÓN! Si bien este tomacorriente indica que tiene un valor nominal de 240 Voltios y 30 Amperios (hasta 7200 Voltios), el valor nominal máximo del generador es de 6500 Voltios. Si se alimentan cargas que superan la capacidad de vatiaje/amperaje del generador se pueden producir daños en la unidad o lesiones graves. Las cargas de 240 Voltios alimentadas mediante este tomacorriente no deben superar los 27.1 Amperios de corriente.

Luz

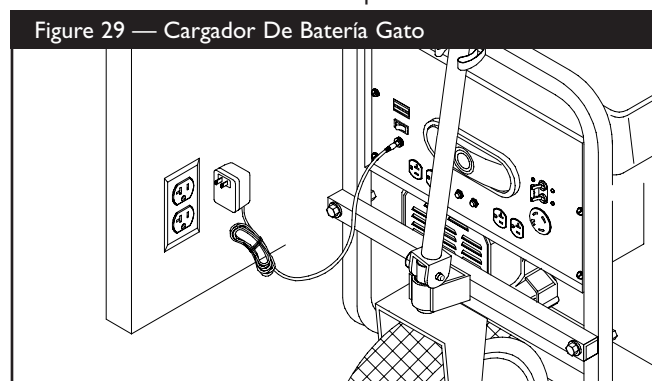
En el panel de control se encuentra una luz que facilita el movimiento en la oscuridad. Encienda la luz utilizando el interruptor que está en el panel de control.

Apague la luz cuando no sea necesaria ya que la misma consume la batería del generador. Apague la luz cuando el generador está en funcionamiento.

Cómo Utilizar el Cargador de la Batería

Utilice el conector del cargador de flotante de la batería para mantener la batería de arranque cargada y lista para usar. La carga de la batería se debe realizar en un lugar seco, como por ejemplo en el interior de un garaje.

- Enchufe el cargador en el conector hembra del cargador de flotante de 12V de c.c. ("12V DC Float Charger"), ubicado en el panel de control (Figura 29). Enchufe el cargador de la batería en un tomacorriente de pared de 120 Voltios de c.a.



- Desenchufe el cargador de la unidad y del tomacorriente de pared cuando se arranque el generador y mientras se encuentre en funcionamiento.
- Mantenga este cargador enchufado cuando el generador no esté en uso. De esta manera se prolonga la vida útil de la batería. El cargador tiene un ecualizador de flotador incorporado y no permitirá que la batería se sobrecargue, aun cuando permanezca enchufado durante un período prolongado.

IMPORTANTE: Consulte la sección de "Mantenimiento de la Batería" en la página 48 para obtener información adicional.

Contador de Horas

El contador de horas trabaja siempre que el motor de la unidad está en funcionamiento. Utilice el contador de horas para planificar las tareas de servicio mencionadas en los manuales del propietario.



NO SOBRECARGUE EL GENERADOR

NOTA: Remítase a esta sección cuando esté utilizando el generador sin el conmutador de transferencia semiautomático. Solicite al instalador del conmutador de transferencia semiautomático que revise las técnicas de administración de cargas. Vea la sección titulada "Circuitos fundamentales" en la página 36.

Capacidad

Usted debe asegurarse que su generador puede proveer el suficiente vataje calificado (cuando esté funcionando) y de carga (al encender) para los aparatos a los cuales va a proveer la energía, al mismo tiempo. Siga estos pasos:

1. Seleccione los aparatos que recibirán la energía, al mismo tiempo.
2. Totalice los vatios calificados (cuando esté funcionando) de estos aparatos. Esta es la cantidad de energía que su generador debe producir para mantener esos aparatos funcionando adecuadamente. Vea la Figura 30.
3. Calcule la cantidad de vatios de carga (al encender) que usted necesitará. El vataje de carga es la cantidad mínima de electricidad, necesaria para encender herramientas o aparatos con motores eléctricos, tales como, sierras circulares o refrigeradores. Debido a que no todos los motores se encienden al mismo momento, el vataje total de carga se puede estimar al añadir solamente el(los) aparato(s) con el vataje adicional más alto, al total del vataje calificado, obtenido en el paso 2.

Ejemplo:

Herramienta o Aparato Eléctrico	Vatios Calificados (cuando esté funcionando)	Vatios Adicionales de Carga (al encender)
Aire Acondicionado de Ventana	1200	1800
Refrigerador	800	1600
Congelador industrial	500	500
Televisión	500	-
Luz (75 Vatios)	75	-
	Total = 3075 Vatios para funcionar	1800 (Vatios de Carga más alto)

Vataje Total Calificado (cuando esté funcionando) = 3075

Vataje de Carga Adicional más alto = 1800

Salida Total Requerida del Generador = 4875

Control de la Energía

Para prolongar la vida de su generador y los aparatos que estén conectados al mismo, es muy importante cuidarlo cuando se le añaden cargas eléctricas. Nada debería estar conectado a los tomacorrientes del generador antes de que su motor sea encendido. La forma correcta y más segura para controlar la energía del generador, es la de añadir en secuencias las cargas, como se describe a continuación:

1. Sin tener nada conectado al generador, encienda el motor de la manera descrita en este manual.
2. Conecte y encienda la primera carga, preferiblemente la mayor que usted tenga.

3. Permita que la salida del generador se establezca (el motor funciona suavemente y el aparato conectado al mismo trabaja adecuadamente).
4. Conecte y encienda la próxima carga.
5. De nuevo, permita que el generador se establezca.
6. Repita los pasos 4 y 5 para cada carga adicional que usted tenga.

Nunca añada más cargas sobre la capacidad del generador. Tome una atención especial en considerar las cargas de corriente según la capacidad del generador, como se describe arriba.

Figura 30 - Guía de Referencia de Vataje

Herramienta o Aparato Eléctrico	Vatios Calificados* (cuando esté funcionando)	Vatios Adicionales de Carga (al encender)
Esenciales		
Bombilla - 75 vatios	75	-
Congelador industrial	500	500
Bomba de aguas negras	800	1200
Refrigerador / congelador - 18 pies cúbicos	800	1600
Bomba de agua - 1/3 HP	1000	2000
Calefacción / enfriamiento		
Aire Acond. de ventana - 10.000 BTU	1200	1800
Ventilador de ventana	300	600
Calefactor de caldera - 1/2 HP	800	1300
Cocina		
Horno de microondas - 1.000 Vatios	1000	-
Cafetera	1500	-
Cocina eléctrica - Elemento simple	1500	-
Calientaplatos	2500	-
Habitación Familiar		
Tocador de DVD/CD	100	-
VCR	100	-
Receptor estéreo	450	-
Televisor a color - 27 pulg.	500	-
Computadora personal con monitor de 17 pulg.	800	-
Otros		
Sistema de seguridad	180	-
Radio-Reloj AM/FM	300	-
Abridor de garaje - 1/2 HP	480	520
Calentador eléctrico de agua - 40 galones	4000	-
Taller		
Luz de halógeno para trabajar	1000	-
Rociador sin aire - 1/3 HP	600	1200
Sierra intercambiable	960	960
Taladro eléctrico - 1/2 HP	1000	1000
Sierra circular - 7 1/4 pulg.	1500	1500
Sierra inglete - 10 pulg.	1800	1800
Mesa de planificación - 6 pulg.	1800	1800
Sierra de mesa / sierra de brazo radial - 10 pulg.	2000	2000
Compresor de aire - 1-1/2 HP = Caballo de fuerza.	2500	2500

*El vataje que aparece en la lista es solamente una cantidad aproximada. Verifique la herramienta o aparato eléctrico para obtener el vataje verdadero.



CÓMO TRABAJAR CON EL CONMUTADOR DE TRANSFERENCIA DE ENERGÍA

Conmutación a la Energía del Generador

Para cambiar a la energía del generador luego de una falla en el servicio de la compañía proveedora de electricidad:

1. Alinee el enchufe hembra del cable de alimentación eléctrica con las espigas de contacto macho del tomacorriente de la caja de conexiones, tal como se observa en la Figura 31.
Presione el conector del cable de alimentación eléctrica y gire a la derecha para bloquearlo.

Figura 31 — Conexión de la Caja de Conexiones



2. Alinee las espigas de contacto macho del otro extremo del cable de alimentación eléctrica con las terminales de contacto hembra del tomacorriente de 240 Voltios del generador, tal como se muestra en la Figura 32. Presione el conector y gire a la derecha para bloquearlo.

Figura 32 — Alinee los Conectores en el Generador



3. Asegúrese de que el generador se encuentre a la intemperie y que los fluidos y el combustible no escapen.
4. Abra el interruptor de potencia principal que se encuentra en el panel de control del generador. Arranque el generador siguiendo las instrucciones proporcionadas en la sección "Operación del Generador", en la página 41.
5. Cierre el interruptor de potencia principal del generador.
6. Luego de un retardo de diez segundos, el conmutador de transferencia transferirá las cargas de los circuitos fundamentales al generador.

Administración de Cargas

La cantidad de circuitos que se pueden poner en funcionamiento simultáneamente durante una falla en el servicio de la compañía proveedora de electricidad depende de la capacidad de vatiaje de su generador. **La mayoría de los generadores portátiles no tienen capacidad para manejar las cargas de todos los interruptores de potencia al mismo tiempo.**

Revise el plan de administración de cargas desarrollado con el instalador (vea la sección "Planifique la Instalación" en el Manual de Instalación, Número de parte 190854). Es posible que deba apagar y encender algunas cargas en forma selectiva mientras utiliza la energía del generador de manera tal que los electrodomésticos necesarios se puedan utilizar en forma segura.



Conmutación a la Energía de la Compañía Proveedora de Electricidad

Para pasar de la energía del generador a la energía de la compañía proveedora una vez que se ha restablecido el servicio:

1. Abra el interruptor de potencia principal que se encuentra en el generador. Luego de un retardo de tres segundos, el conmutador de transferencia realizará el paso a la energía de la compañía proveedora de electricidad.
2. Luego de un período de enfriamiento de cinco minutos, apague el generador.
3. Desconecte el cable de alimentación eléctrica de la caja de conexiones y del generador.

Pruebas

Luego de la instalación, pruebe el Sistema de Generador Doméstico (HGS) de la siguiente manera:

1. Abra todos los interruptores de potencia en el compartimiento del conmutador de transferencia.
2. Ubique el generador cerca de la caja de conexiones.
3. Conecte el cable de alimentación eléctrica a la caja de conexiones de la casa (vea la Figura 31).

4. En el generador, conecte el otro extremo del cable de alimentación eléctrica al generador (vea la Figura 32). Asegúrese de que el interruptor de potencia del generador esté abierto (OFF).
5. Arranque el generador y deje que se caliente durante cinco minutos. Ponga el interruptor de potencia principal del generador en ON. Luego de diez segundos, el conmutador de transferencia transferirá la energía del generador a los circuitos fundamentales.
6. Cuando se realice la conmutación de transferencia, ponga el primer interruptor de potencia en la posición "ON". Verifique que su carga esté funcionando de manera correcta. Vuelva a colocar el interruptor de potencia en la posición "OFF".
7. Repita el Paso 6 mencionado anteriormente para cada uno de los otros interruptores de potencia del conmutador de transferencia.
8. Luego de realizar las pruebas, asegúrese de que todos los interruptores de potencia estén cerrados (ON).
9. Ponga el interruptor principal en "OFF" y deje que el generador se enfríe durante cinco minutos. Apague el generador y desconecte el cable de alimentación eléctrica de la caja de conexiones y del generador.



ESPECIFICACIONES

Generador

Modelo	01678
Potencia Nominal Máxima	6,500 Vatios
Corriente de Carga Nominal Máxima:	
at 240 Voltios	27.1 Amperios
at 120 Voltios	54.2 Amperios
Tensión de c.a. Nominal	120/240 Voltios
Frecuencia Nominal	60 Hz at 3600 rpm
Fases	Monofásico
Factor de Potencia	1.0
Rango Operativo Normal	-20°F (-28.8°C) to 104°F (40°C)
Capacidad del Tanque	
de Combustible	8 Galones Americanos (30 litros)
Peso de Envío del Sistema	296 lbs.

Conmutador de Transferencia

Circuitos Máxima	10
Carga Máxima/Circuito:	
Desde el Generador	27.1 Amperios
Desde el Centro de Carga	50 Amperios
Vataje Máximo	6,500
Longitud del Cable	
de Alimentación Eléctrica	10 pies (3 m)
Potencia de la Caja de Conexiones	
Conector de Entrada	NEMA L14-30

RECOMENDACIONES GENERALES DE MANTENIMIENTO

El propietario / operador es responsable por asegurarse de que todos los trabajos periódicos de mantenimiento se lleven a cabo adecuadamente; que todos los problemas son resueltos; y que la unidad se mantiene limpia y adecuadamente almacenada. **Nunca opere un generador que esté dañado o defectuoso.**

Mantenimiento del Motor

Consulte el manual del propietario del motor para las instrucciones de cómo mantener adecuadamente el motor.



¡PRECAUCIÓN! Evite el contacto prolongado o repetido de piel con aceite usado de motor. El aceite usado del motor ha sido mostrado al cancer de la piel de la causa en ciertos animales del laboratorio. Completamente lavado expuso áreas con el jabón y el agua. **MANTENGA FUERA DE ALCANCE DE NIÑOS. NO CONTAMINE. CONSERVE los RECURSOS.VUELVA ACEITE USADO A la COLECCION CENTRA.**

Mantenimiento del Generador

El mantenimiento del generador consiste en conservar la unidad limpia y seca. Opere y almacene la unidad en un ambiente limpio y seco donde no será expuesta al polvo, suciedad, humedad o vapores corrosivos. Las ranuras del aire de enfriamiento del generador no deben estar tapadas con nieve, hojas, o cualquier otro material extraños. Revise frecuentemente la limpieza del generador y límpielo cuando esté con polvo, sucio, con aceite, humedad, o cuando otras sustancias extrañas sean visibles en su superficie exterior.

NOTA: No recomendamos el uso de mangueras de jardín para limpiar el generador. El agua podría introducirse en el sistema de combustible del motor y causar problemas. Además, si el agua se introduce al generador a través de las ranuras para aire de enfriamiento, algo del agua quedará retenida en los espacios vacíos y grietas del aislamiento del devanado del estator y rotor. La acumulación de agua y suciedad en los devanados internos del generador disminuirá eventualmente la resistencia del aislamiento de estos devanados.



Mantenimiento de la Batería

De otra manera que chorrea un poco cargar, descrito en otra parte, la conservación ningún otro se requiere para la batería.

IMPORTANTE: Cargar de batería se debe realizar en una ubicación seca, tal como dentro de un garaje.

Para Limpiar el Generador

- Utilice un trapo húmedo para limpiar las superficies exteriores.
- Puede usar un cepillo de cerdas suaves para retirar la suciedad endurecida, aceite, etc.
- Puede usar una máquina aspiradora para eliminar suciedad y residuos sueltos.
- Puede usar aire a baja presión (que no exceda los 25 psi) para eliminar la suciedad. Inspeccione las ranuras para aire de enfriamiento y la apertura del generador. Estas aperturas deberán mantenerse limpias y despejadas.

ALMACENAMIENTO

El generador deberá ser encendido al menos una vez cada siete días y deberá dejarlo funcionar al menos durante 30 minutos. Si no puede hacer esto y debe almacenar la unidad por más de 30 días, siga las siguientes instrucciones para preparar su unidad para almacenamiento.

Almacenando el Generador

- Limpie el generador como está descrito en ("Para Limpiar el Generador").
- Revise que las ranuras para el aire de enfriamiento y las aperturas del generador se encuentren abiertas y despejadas.



¡PRECAUCIÓN! Las cubiertas para almacenamiento pueden ser inflamables. No coloque una cubierta encima de un generador caliente. Deje que la unidad se enfríe lo suficientemente antes de que le coloque la cubierta.

- Enchufe el cargador de la batería en el conector hembra del cargador de flotante de c.c. que se encuentra en el panel de control y en un tomacorriente del edificio.

Almacenando el Motor

Consulte el manual del propietario del motor para las instrucciones de cómo preparar adecuadamente el motor para su almacenamiento.

Otras Sugerencias Para el Almacenando

- Para prevenir que se forme una resina en el sistema de combustible o en partes esenciales del carburador, vacíe estabilizadores del combustible, suministrados, en el tanque de gasolina y llene con gasolina fresca. Haga funcionar la unidad por algunos minutos para hacer circular el aditivo a través del carburador. La unidad y el combustible pueden ser almacenados hasta por 24 meses. Se puede comprar más estabilizador del combustible, en su tienda local.
- **No** almacene gasolina de una estación a otra estación, al menos que haya sido tratada como se mencionó antes.
- Reemplace la caneca de gasolina si comienza a oxidarse. El óxido y/o la suciedad en la gasolina le causará problemas.
- Almacene la unidad en un área limpia y seca.

Si Llama a la Fábrica

En caso de que sea necesario consultar al Servicio técnico de Briggs & Stratton respecto a servicios o reparaciones de esta unidad, usted debe tener disponible la siguiente información:

1. Obtenga el número de serie y el número de modelo de la calcomanía de datos adherida a la unidad.
2. Obtenga los números de código/tipo/modelo de motor de la etiqueta del motor.



REPARACION DE AVERIAS

Problema	Causa	Solución
El motor está funcionando pero no hay salida de c.a. disponible.	<ol style="list-style-type: none"> 1. El interruptor de potencia del generador está abierto. 2. Las conexiones de cableado son inadecuadas o el conmutador de transferencia está fallado. 3. El interruptor de potencia del conmutador de transferencia está abierto o fallado. 4. Falla en el generador. 	<ol style="list-style-type: none"> 1. Restablezca el interruptor de potencia. 2. Contrólole y repárelo. 3. Restablezca el interruptor de potencia o reemplácelo. 4. Consulte al servicio de Briggs & Stratton.
El motor funciona pero se atasca cuando se conectan las cargas.	<ol style="list-style-type: none"> 1. Hay un cortocircuito en una de las cargas conectadas. 2. El generador está sobrecargado. 3. La velocidad del motor es muy baja. 4. Hay un circuito del generador en cortocircuito. 	<ol style="list-style-type: none"> 1. Desconecte la carga que está en cortocircuito. 2. Vea la sección titulada "Circuitos fundamentales" en la página 32. 3. Consulte al servicio de Briggs & Stratton. 4. Consulte al servicio de Briggs & Stratton.
El motor no arranca o arranca pero funciona con dificultad.	<ol style="list-style-type: none"> 1. El interruptor oscilante está en la posición "Stop". 2. La válvula de combustible está en la posición "Off". 3. El filtro de aire está sucio. 4. No hay combustible. 5. El combustible es viejo. 6. El cable de la bujía no está conectado a ella. 7. La bujía está fallada. 8. El combustible tiene agua. 9. Exceso de estrangulamiento. 10. Bajo nivel de aceite. 11. Mezcla de combustible muy cargada. 12. La válvula de entrada está trabada abierta o cerrada. 13. El motor perdió la capacidad de compresión. 14. La batería está fallada. 	<ol style="list-style-type: none"> 1. Ponga el interruptor en "On". 2. Ponga la válvula de combustible en la posición "On". 3. Limpie o reemplace el filtro de aire. 4. Llene el tanque de combustible. 5. Drene el tanque de combustible y llénelo con combustible nuevo. 6. Conecte el cable a la bujía. 7. Reemplace la bujía. 8. Drene el tanque de combustible y llénelo con combustible nuevo. 9. Ponga la palanca del estrangulador en la posición "Run". 10. Llene el cárter hasta el nivel apropiado. 11. Consulte al servicio de Briggs & Stratton. 12. Consulte al servicio de Briggs & Stratton. 13. Consulte al servicio de Briggs & Stratton. 14. Reemplace la batería.
El motor se apaga durante la operación.	<ol style="list-style-type: none"> 1. No hay combustible. 2. Bajo nivel de aceite. 3. Falla en el motor. 	<ol style="list-style-type: none"> 1. Llene el tanque de combustible. 2. Llene el cárter hasta el nivel apropiado. 3. Consulte al servicio de Briggs & Stratton.
El motor carece de potencia.	<ol style="list-style-type: none"> 1. La carga es demasiado elevada. 2. El filtro de aire está sucio. 3. El motor necesita mantenimiento. 	<ol style="list-style-type: none"> 1. Vea la sección titulada "Circuitos fundamentales" en la página 32. 2. Reemplace el filtro de aire. 3. Consulte al servicio de Briggs & Stratton.
El motor cabecea o falla.	<ol style="list-style-type: none"> 1. El estrangulador se abre demasiado rápido. 2. El carburador tiene una mezcla muy cargada o muy pobre. 	<ol style="list-style-type: none"> 1. Mueva la palanca del estrangulador hasta la posición media hasta que el motor funcione con suavidad. 2. Consulte al servicio de Briggs & Stratton.



TABLE DES MATIÈRES

Règles de Sécurité	50-51
Installation	52-55
Assemblage	56-57
Connaissez Votre Générateur	58
Opération	59-64
Caractéristiques du Produit / Entretien	65
Rangement	66
Dépannage	67
Schéma / Circuit de Câblage	22-25
Pièces de Rechange	26-31
Remarques	Page Finale

DESCRIPTION DE L'ÉQUIPEMENT

Lisez avec soin ce manuel et familiarisez-vous avec votre générateur. Connaissez ses applications, ses limitations et les dangers qu'il implique.

Nous vous félicitons d'avoir acheté ce groupe électrogène Briggs & Stratton. Votre groupe électrogène a été conçu pour fournir une alimentation électrique auxiliaire automatique pendant la durée d'une panne de courant normale. Il n'a pas été conçu pour fournir l'alimentation principale en remplacement du service électrique, ni pour l'alimentation d'appareils de maintien des fonctions vitales. La génératrice a été conçue et testée selon des normes rigoureuses de performance et de fiabilité, et elle est munie d'un commutateur de transfert semi-automatique classé UL®.

ATTENTION! Ne Pas dépasser la capacité en watts ou en Ampères du générateur. Voir "Ne Pas Surcharger le Générateur" sur la page 62 pour l'information spécifique.

Tout a été mis en oeuvre pour que les informations contenues dans ce manuel soient exactes et à jour. Cependant, Briggs and Stratton se réserve le droit de changer, d'altérer ou d'améliorer le produit à n'importe quel moment sans avis préalable.

Le Système de contrôle de l'émission du générateur est garanti pour des normes établies par L'Agence de protection de l'environnement. Pour des informations sur la garantie, se reporter au manuel du moteur.

RÈGLES DE SÉCURITÉ

Le symbole indiquant un message de sécurité est accompagné d'un mot indicateur (DANGER, ATTENTION, AVERTISSEMENT), d'un message illustré et/ou d'un message de sécurité visant à vous avertir des dangers. **DANGER** indique un danger qui, s'il n'est pas évité, *provoquera* des blessures graves, voire fatales.

AVERTISSEMENT indique un danger qui, s'il n'est pas évité, *peut* provoquer des blessures graves, voire fatales. **ATTENTION** indique un danger qui, s'il n'est pas évité, *peut* provoquer des blessures mineures ou légères. Le mot **ATTENTION**, lorsqu'il est utilisé **sans** le symbole d'alerte, indique une situation pouvant endommager l'équipement. Suivez les messages de sécurité pour éviter ou réduire les risques de blessures ou de mort.

⚠ AVERTISSEMENT

L'échappement du moteur de ce produit contient des produits chimiques que l'État de Californie considère comme causant le cancer, des déformations à la naissance ou d'autres dangers concernant la reproduction.

⚠ DANGER



Le générateur, lorsqu'il fonctionne, produit du monoxyde de carbone, un gaz toxique inodore et incolore.

Le fait de respirer du monoxyde de carbone provoque des nausées, des évanouissements ou peut être fatal.

- Faites fonctionner le générateur SEULEMENT à l'extérieur.
- Laissez un espace d'au moins 2 pieds tout autour du générateur, pour permettre une ventilation adéquate.
- Ne faites pas fonctionner le générateur à l'intérieur d'un bâtiment ou d'un abri, y compris à l'intérieur du compartiment d'un véhicule de plaisance.

⚠ DANGER



Ne pas relier le générateur à la terre risque de provoquer des électrocutions, surtout si le générateur est équipé avec une trousse de roue.

- Le Code national de l'électricité requiert que le générateur soit correctement relié à la terre par un branchement homologué. Faites appel à un électricien pour connaître les exigences de mise à la terre régionales.

⚠ DANGER



Le générateur produit une tension élevée.

Ne pas isoler le générateur de l'installation électrique risque de provoquer des blessures ou même d'être fatal pour les ouvriers électriciens et de causer des dommages au générateur dus à un "backfeed" d'énergie électrique.

- Lorsque vous utilisez le générateur comme source d'énergie de secours, il est nécessaire d'aviser les services publics d'électricité.
- Utilisez un disjoncteur différentiel lorsque vous utilisez l'appareil dans des endroits humides ou extrêmement conductibles, comme les terrasses en métal ou les ouvrages métalliques.
- En cas d'accident causé par un choc électrique, procédez immédiatement à la mise hors tension de l'alimentation électrique. Si cela s'avère impossible, essayez de libérer la victime du conducteur chargé. Évitez tout contact direct avec la victime. Pour libérer la victime du conducteur chargé, utilisez un article non conducteur comme une corde ou une planche. Si la victime est inconsciente, prodiguez-lui les premiers soins et demandez immédiatement l'aide d'un médecin.
- Ne touchez pas les fils dénudés ou les boîtiers.
- N'utilisez pas le générateur avec des cordons électriques usés, effilochés ou dénudés, ou abîmés de quelque sorte que ce soit.
- N'utilisez pas le générateur sous la pluie.
- Ne manipulez pas le générateur ou les cordons d'alimentation lorsque vous êtes debout dans l'eau, pieds nus ou avec les mains ou les pieds humides.
- Ne laissez pas des personnes non qualifiées ou des enfants se servir ou réparer le générateur.



⚠ AVERTISSEMENT

PAS PROJETE POUR L'USAGE COMME LE POUVOIR PRIMAIRE AU LIEU DE L'UTILITE OU DANS LES APPLICATIONS DE VIE-SOUTIEN

⚠ AVERTISSEMENT



L'essence et ses vapeurs sont extrêmement inflammables et explosives.



Le feu ou l'explosion risque de provoquer des blessures graves, pouvant être fatales.

LORSQUE VOUS AJOUTEZ DU CARBURANT

- Éteignez le générateur et laissez-le refroidir au moins 2 minutes avant de retirer le capuchon du réservoir de carburant. Desserrez lentement le capuchon pour laisser la pression s'échapper du réservoir.
- Remplissez toujours le réservoir à essence à l'extérieur.
- Ne remplissez pas trop le réservoir. Laissez 1,5 pouce pour l'expansion de l'essence.
- Éloignez l'essence des étincelles, des flammes, des veilleuses, de la chaleur et de toute autre source d'inflammation.
- N'allumez pas de cigarette ou ne fumez pas à proximité de l'appareil.

LORSQUE L'ÉQUIPEMENT FONCTIONNE

- Ne penchez pas le moteur ou l'équipement, vous risqueriez de renverser de l'essence.

LORSQUE VOUS TRANSPORTEZ OU RÉPAREZ L'ÉQUIPEMENT

- Transportez ou réparez l'appareil lorsque le réservoir d'essence est VIDE, ou lorsque la soupape d'arrêt d'essence est FERMÉE.
- Débranchez le câble de bougie.

LORSQUE VOUS ENTREPOSEZ L'ESSENCE OU UN ÉQUIPEMENT AVEC UN RÉSERVOIR À ESSENCE

- Entreposez-le loin des appareils de chauffage, des fours, des chauffe-eau, des sècheuses ou de tout autre appareil électroménager disposant d'une veilleuse ou de toute autre source d'inflammation risquant d'enflammer les vapeurs d'essence.

⚠ DANGER



Les batteries d'accumulateur produisent du gaz hydrogène explosif lorsqu'elles se rechargent.

Le gaz hydrogène stagne autour de la batterie longtemps après qu'elle ait été chargée.

La plus petite étincelle enflammera l'hydrogène et provoquera une explosion.

Vous pouvez devenir aveugle ou vous blesser gravement.



Le liquide d'électrolyte de l'accumulateur contient de l'acide et est extrêmement caustique.

Le contact avec le liquide de l'accumulateur provoquera de graves brûlures chimiques.

- Ne laissez aucune flamme, étincelle, source de chaleur ou cigarette allumée pendant ou plusieurs minutes suivant la charge de l'accumulateur.
- Portez des lunettes de protection, un tablier et des gants en caoutchouc.

⚠ AVERTISSEMENT



Les moteurs en fonctionnement produisent de la chaleur. La température du silencieux et des endroits à proximité peuvent atteindre, voire dépasser 150°F (65°C).

Le contact de ces pièces risque de causer de graves brûlures.

- Ne touchez pas les surfaces chaudes.
- Laissez l'équipement refroidir avant de le toucher.

⚠ ATTENTION

Les vitesses de fonctionnement excessivement élevées augmentent les risques de blessure ou risquent d'endommager le générateur.

Les vitesses extrêmement lentes entraînent une charge importante.

- Ne trafiquez pas la vitesse régulée. Le générateur produit une fréquence nominale et une tension correctes lorsqu'il fonctionne à une vitesse régulée.
- Ne modifiez le générateur d'aucune façon.

ATTENTION

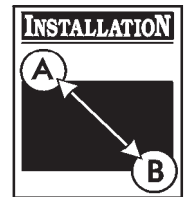
Dépasser la capacité de puissance ou d'ampérage du générateur risque d'endommager ce dernier et/ou les autres appareils électriques qui y sont branchés.

- Voir la section " Ne surchargez pas votre générateur " à la page 62.
- Démarrez le générateur et laissez le moteur se stabiliser avant de brancher les charges électriques.
- Branchez les charges électriques en position ARRÊT, puis, remettez en position MARCHÉ.
- Éteignez les charges électriques et débranchez-les du générateur avant de l'arrêter.

ATTENTION

Un traitement inapproprié du générateur risque de l'endommager et de raccourcir sa durée d'utilisation.

- Ne vous servez du générateur que pour les utilisations prévues.
- Si vous avez des questions concernant les utilisations prévues, demandez à votre distributeur ou contactez Briggs and Stratton.
- Ne faites fonctionner le générateur que sur des surfaces horizontales.
- N'exposez pas le générateur à une humidité excessive, à de la poussière, à de la saleté ou à des vapeurs corrosives.
- N'insérez aucun objet dans les fentes de refroidissement.
- Si les appareils branchés sont en surchauffe, éteignez-les et débranchez-les du générateur.
- Arrêtez le générateur si :
 - la puissance électrique est inexistante;
 - l'équipement produit des étincelles, de la fumée ou des flammes;
 - l'unité vibre excessivement.



INTRODUCTION

La société Briggs & Stratton a tout fait pour fournir un groupe électrogène dont l'installation soit sécuritaire, facile et économique. Comme chaque installation est unique, il est impossible de connaître et de recommander une marche à suivre présentant toutes les méthodes et consignes d'installation possibles. Briggs et Stratton ignore également les dangers et/ou les résultats potentiels de chaque méthode ou procédure. C'est pourquoi,

Seuls des entrepreneurs en électricité qualifiés devraient procéder à l'installation de groupes électrogènes. Toute installation doit être conforme à tous codes de sécurité applicables, ainsi qu'aux normes et à la réglementation de l'industrie.

Votre groupe électrogène Briggs & Stratton est livré avec le présent " Manuel d'utilisation ", ainsi qu'un " Guide d'installation " séparé (pièce n° 190854). Ces deux documents sont importants; après avoir complété l'installation, l'acheteur doit les conserver.



AVERTISSEMENT! En vertu du Code national de l'électricité, le branchement d'une génératrice à un circuit électrique habituellement alimenté par un réseau électrique doit s'effectuer au moyen d'équipements de commutation de transfert approuvés, afin d'isoler le circuit électrique du réseau de distribution lorsque la génératrice est en marche. Le fait de ne pas isoler le circuit électrique par de tels moyens pourrait causer des blessures ou même le décès d'employés du service de distribution électrique, suite à la rétroaction de l'énergie électrique.

Conformément à l'Article 702 du Code national de l'électricité, ANSI/NFPA 70, l'utilisation d'un commutateur de transfert semi-automatique est approprié pour isoler les circuits électriques. Ce commutateur convient pour tout circuit dont la capacité ne dépasse pas 10 000 A RMS, à courant symétrique, 125/240 V, lorsqu'il est installé côté charge sur un circuit de branchement approprié. Pour usage à l'intérieur seulement. Le boîtier de raccordement, de type NEMA 1, est conçu pour usage à l'extérieur.

Aide à l'Installation

Au Propriétaire Résidentiel ou Commercial:

Afin de vous aider à faire des choix avisés et à communiquer efficacement avec l'entrepreneur qui procédera à l'installation,

Veillez lire avec soin la section "Conseils au Propriétaire" dans le présent guide avant de contracter un entrepreneur ou de commencer l'installation de votre groupe électrogène.

Pour assurer une installation adéquate, veuillez contacter le magasin qui vous a vendu votre groupe électrogène Briggs & Stratton, votre détaillant ou votre fournisseur de services d'électricité.

Si l'installation du groupe électrogène n'est pas effectuée par un professionnel en électricité certifié, la garantie sera ANNULÉE.

Au Détaillant ou à l'Entrepreneur Procédant à l'Installation:

Le guide d'installation renferme tous les renseignements nécessaires à l'installation adéquate ainsi qu'au démarrage du groupe électrogène pour la plupart des usages. Le présent Manuel d'utilisation décrit les procédures de sélection des circuits essentiels, de fonctionnement normal et d'entretien par le propriétaire.

Si vous avez besoin de renseignements supplémentaires, veuillez appeler au (800) 743-4115 de 8 h à 17 h HNC.

CONSEILS AU PROPRIÉTAIRE

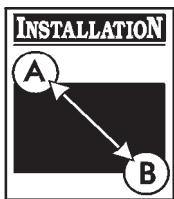
La présente section présente au propriétaire du groupe électrogène les renseignements dont il aura besoin pour que l'installation du groupe électrogène soit la plus satisfaisante et économique possible.

Les illustrations se rapportent à des cas typiques et ont pour but de vous familiariser avec les différentes options d'installation de votre groupe électrogène dont vous disposez. En comprenant pleinement ces options, vous pourrez bien contrôler les coûts liés à votre installation et assurer votre satisfaction finale ainsi que votre sécurité.

Au moment de négocier avec un installateur professionnel, il faudra tenir compte des facteurs suivants : les codes de sécurité locaux, l'apparence, les niveaux de bruits et les distances. Souvenez-vous que vous devez tenir compte de la distance entre le groupe électrogène et le service d'électricité existant ainsi que des matériaux de câblage. Cette contrainte est nécessaire pour vous conformer aux codes locaux et pour surmonter les chutes de tension électrique.

Les facteurs mentionnés ci-dessus auront une incidence directe sur le prix total de l'installation de votre groupe électrogène.

REMARQUE: Dans certaines régions, vous devrez vous procurer un permis de travail d'électricité pour installer le groupe électrogène, ainsi qu'un permis relatif au bruit. Votre installateur est tenu de vérifier les codes locaux ET d'obtenir les permis requis avant de procéder à l'installation du système.



Emplacement de la Génératrice

L'emplacement pratique de votre génératrice de secours a une incidence directe la quantité de câblage requise pour commander et brancher votre génératrice.

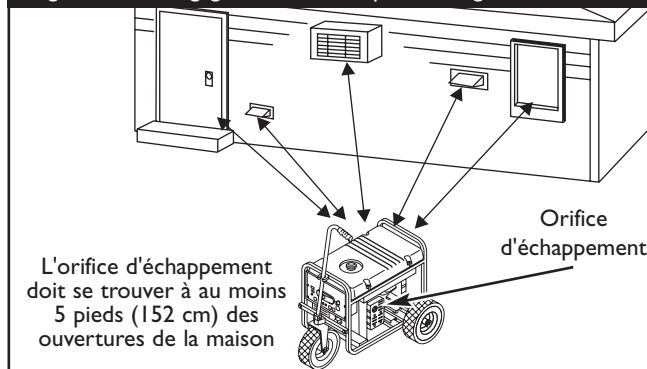
REMARQUE: Le Guide d'installation présente des consignes particulières relatives au choix de l'emplacement de la génératrice. Familiarisez-vous avec celles-ci et discutez-en avec votre installateur. N'oubliez pas de demander à l'installateur si votre choix d'emplacement est conforme aux normes et aux codes locaux et de quelle façon celui-ci influe sur les coûts d'installation.

Dégagement Autour de la Génératrice

La génératrice doit être située à au moins 92 cm (3 pi) de tout matériau combustible (NFPA 37). Pour faciliter l'accès à la génératrice, laisser un dégagement d'au moins 92 cm (3 pi) autour de celle-ci.

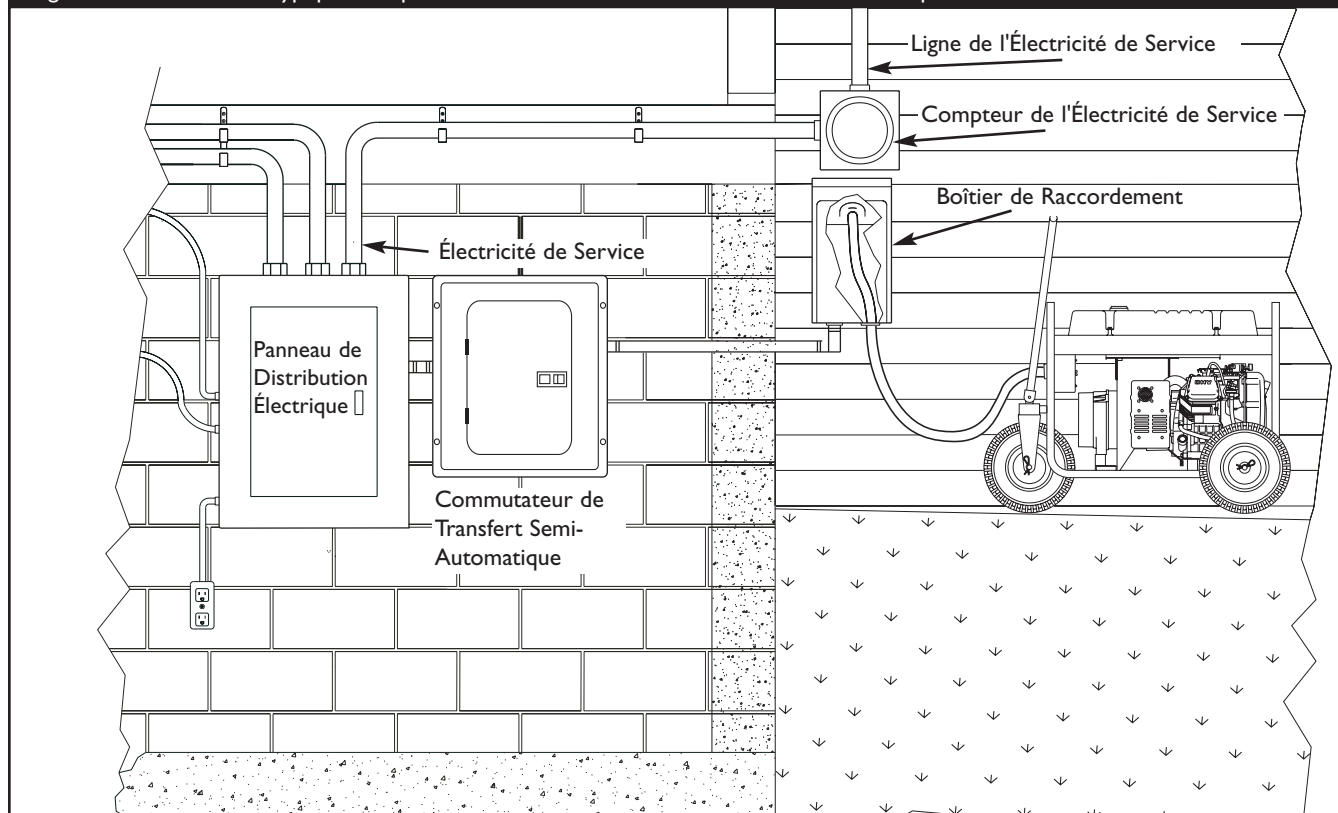
L'orifice d'échappement de l'unité doit être situé à au moins 152 cm (5 pi) de toute ouverture de la maison (fenêtre, porte, puits d'aération, etc.), et les gaz d'échappement ne doivent pas s'accumuler dans aucune aire occupée (Figure 33).

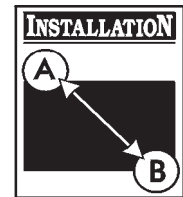
Figure 33 — Dégagement du Groupe Électrogène



La Figure 34 identifie les éléments du système et décrit les détails d'une installation typique. Il se peut que votre installation diffère de cette illustration en raison des codes de sécurité et des matériaux utilisés.

Figure 34 — Installation Typique Complétée du Commutateur de Transfert Semi-Automatique





Circuits Essentiels

À titre de propriétaire du groupe électrogène, il importe que vous identifiez clairement les circuits "essentiels" de votre édifice. Votre groupe électrogène est muni d'un commutateur de transfert semi-automatique. Lorsque câblé de façon adéquate, l'alimentation de votre choix de circuits essentiels sera assurée par la génératrice dans les 10 secondes (+/- 5 secondes) suivant le branchement de la génératrice et son démarrage.

Il est important que votre installateur comprenne quels circuits vous souhaitez inclure parmi vos "circuits essentiels". Selon la quantité d'énergie consommée par ces circuits, la plupart de ceux-ci ou tous, peuvent être commutés vers le groupe électrogène pour la durée d'une panne de courant normale.

La Figure 35 présente un tableau de référence de puissance qui vous guidera dans votre choix. Celui-ci indique la puissance utilisée par plusieurs appareils électroménagers courants. Utilisez ce tableau comme guide au moment de choisir vos circuits essentiels. Révisez ces renseignements avec votre installateur et posez-lui toutes vos questions techniques qui pourraient avoir une incidence sur le coût de votre installation.

Sélection des Circuits Essentiels

Lors de la sélection des circuits essentiels qui seront commutés vers l'alimentation de secours, il importe que la charge totale combinée de ces circuits ne dépasse pas la capacité de puissance ou d'intensité du courant de la génératrice. Veuillez tenir compte des points suivants dans la sélection des circuits essentiels:

Additionnez la puissance totale de tous les appareils qui seront branchés en même temps. Ce total **NE doit PAS** dépasser la capacité de puissance de la génératrice.

La puissance nominale des lampes est indiquée sur les ampoules. La puissance nominale des outils électriques, des appareils électroménagers et des moteurs est habituellement indiquée sur les plaques ou les décalques apposés sur les appareils.

Si la puissance n'est pas indiquée sur un appareil électroménager, un outil ou un moteur, multipliez 120 Volts par l'intensité nominale de l'appareil pour déterminer le nombre de watts (**Volts x Ampères = Watts**).

Certains moteurs électriques (les moteurs à induction) nécessitent environ trois fois plus de watts de puissance au démarrage que lorsqu'ils sont en marche. Cette surtension ne dure que quelques secondes. Lors de la sélection des appareils électriques qui seront alimentés par le groupe électrogène, assurez-vous d'allouer suffisamment de puissance pour combler cette puissance de démarrage élevée.

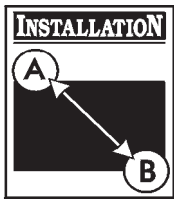
Calculez le nombre de watts nécessaires au démarrage du plus gros moteur.

Ajoutez le résultat au nombre de watts total de toutes les autres charges branchées.

Figure 35 — Guide de Référence de Puissance

Appareil	Watts utilisés
<input type="checkbox"/> Conditionneur d'air (12 000 Btu)*	1 700
<input type="checkbox"/> Conditionneur d'air (24 000 Btu)*	3 800
<input type="checkbox"/> Conditionneur d'air (40 000 Btu)*	6 000
<input type="checkbox"/> Chargeur de batterie (20 ampères)	500
<input type="checkbox"/> Scie circulaire (6,5 po) (16,5 cm)	800 à 1 000
<input type="checkbox"/> Sécheuse (électrique)*	5 750
<input type="checkbox"/> Sécheuse (gaz)*	700
<input type="checkbox"/> Lessiveuse*	1 150
<input type="checkbox"/> Cafetière	1 750
<input type="checkbox"/> Compresseur (1 HP)*	2 000
<input type="checkbox"/> Compresseur (1/2 HP)*	1 400
<input type="checkbox"/> Compresseur (3/4 HP)*	1 800
<input type="checkbox"/> Fer à friser	700
<input type="checkbox"/> Déshumidificateur*	650
<input type="checkbox"/> Couverture électrique	400
<input type="checkbox"/> Cuisinière électrique (par élément)	1 500
<input type="checkbox"/> Poêle électrique	1 250
<input type="checkbox"/> Congélateur*	700
<input type="checkbox"/> Ventilateur de fournaise (3/5 HP)*	875
<input type="checkbox"/> Ouvre-porte de garage*	500 à 750
<input type="checkbox"/> Séchoir à cheveux	1 200
<input type="checkbox"/> Perceuse à main	250 à 1 100
<input type="checkbox"/> Fer à repasser	1 200
<input type="checkbox"/> Pompe aspirante*	800
<input type="checkbox"/> Ampoule électrique	100
<input type="checkbox"/> Four à micro-ondes	700 à 1 000
<input type="checkbox"/> Refroidisseur à lait*	1 100
<input type="checkbox"/> Brûleur à mazout pour fournaise	300
<input type="checkbox"/> Radiateur autonome au mazout (140 000 Btu)	400
<input type="checkbox"/> Radiateur autonome au mazout (30 000 Btu)	150
<input type="checkbox"/> Radiateur autonome au mazout (85 000 Btu)	225
<input type="checkbox"/> Radio	50 à 200
<input type="checkbox"/> Réfrigérateur	700
<input type="checkbox"/> Mijoteuse	200
<input type="checkbox"/> Pompe submersible (1 HP)*	2 000
<input type="checkbox"/> Pompe submersible (1/2 HP)*	1 500
<input type="checkbox"/> Pompe submersible (1 1/2 HP)*	2 800
<input type="checkbox"/> Pompe de puisard*	800 à 1 050
<input type="checkbox"/> Scie d'établi (10 po)*	1 750 à 2 000
<input type="checkbox"/> Téléviseur	200 à 500
<input type="checkbox"/> Grille-pain	1 000 à 1 650

*Allouez trois (3) fois le nombre de watts pour le démarrage des appareils



DÉBALLAGE

Génératrice

- Placez le carton sur une surface plane rigide, avec les flèches " Ce côté en haut " dirigées vers le haut.
- Ouvrez les rabats supérieurs de l'emballage avec soin.
- Sur un côté de la boîte en carton, coupez les coins de haut en bas, et rabattez le carton à plat.
- Enlevez tous les matériaux d'emballage, de bourrage, etc.
- Enlevez la génératrice de la boîte d'expédition.

Commutateur de Transfert

Le commutateur de transfert semi-automatique est prêt à être installé. Examinez le commutateur ainsi que ses pièces pour déceler tout dommage subi durant l'expédition.

Le boîtier de raccordement est prêt à recevoir le câblage. Vérifiez-le, ainsi que le cordon d'alimentation et les fiches de contact pour tout dommage.

Articles Non Inclus avec le Commutateur de Transfert Semi-automatique:

Les articles suivants sont requis pour l'installation du système, mais ne sont pas inclus et doivent être fournis par l'installateur.

1. Outils nécessaires à l'installation
2. Pièces d'ancrage et vis pour l'assemblage des éléments et du conduit du système de transfert d'énergie.
3. Conduit, raccords, coinces câblés, et fil de cuivre isolé pour le branchement du commutateur de transfert semi-automatique au boîtier de raccordement externe.

Vérification de la Livraison

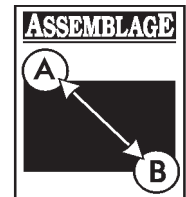
Après avoir enlevé le carton, examinez avec soin les éléments de la génératrice et du commutateur de transfert semi-automatique pour tout dommage subi durant l'expédition.

IMPORTANT: Au moment de la livraison, si vous remarquez des dommages ou des pièces manquantes, demandez au livreur de noter tous les dommages sur la facture de fret et d'apposer sa signature dans l'espace réservé à cet effet. Après la livraison, si vous remarquez des pièces manquantes ou des dommages, mettez les pièces endommagées de côté et communiquez avec le transporteur pour connaître les procédures de réclamation. Les pièces manquantes ou endommagées ne sont pas garanties.

Contenu de la Boîte

Le Groupe Électrogène est Livré avec les Éléments Suivants:

- Génératrice de 6,500 Watts
- Commutateur de Transfert Semi-automatique
- Boîtier de raccordement
- Ensemble de fils de raccordement (Cordon d'alimentation)
- Ensemble de roues
- Prise de verrouillage de 30 Ampères
- Deux bouteilles d'huile à moteur
- Chargeur à tampon
- Lampe d'urgence rechargeable
- Guide d'installation (190854)
- Manuel d'utilisation (190732)
- Garantie de Produit (190881)
- Liste de vérification d'installation (190840)



INSTALLATION DE L'ENSEMBLE DE ROUES

Pour installer les roues, vous aurez besoin des outils suivants:

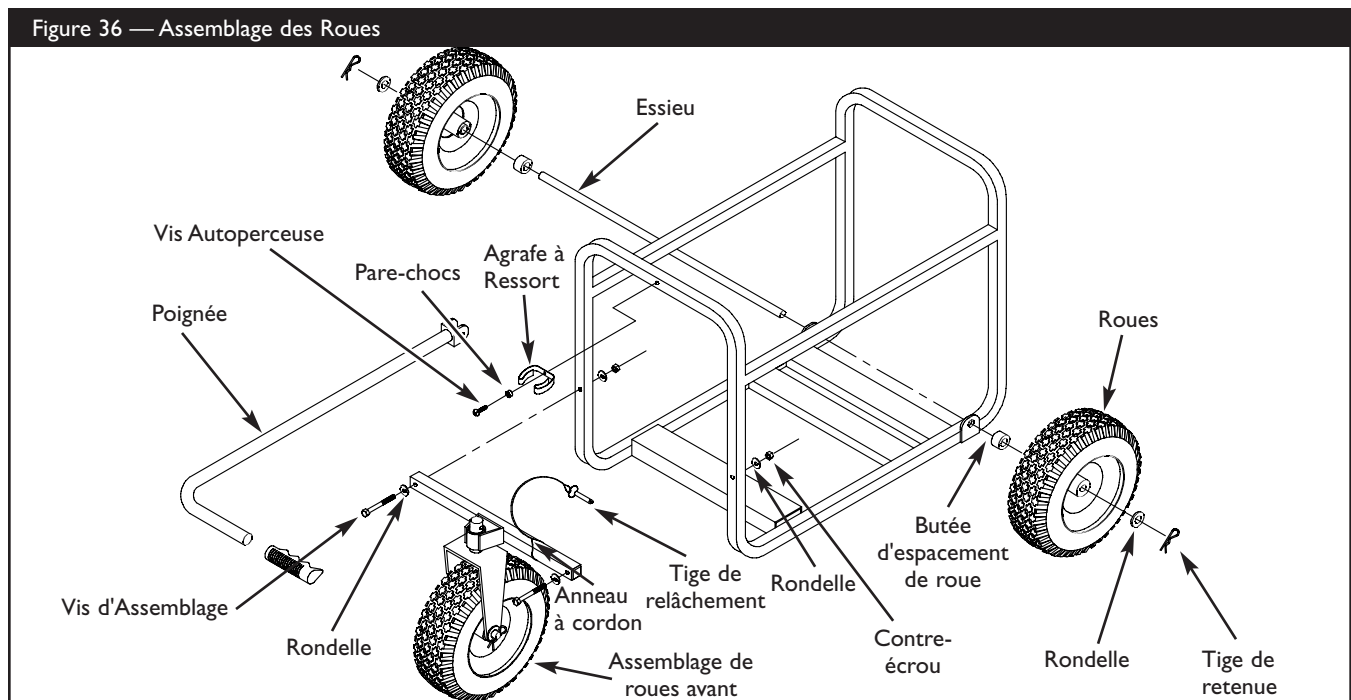
- Clé à douilles avec douille 1/2 po ou 13 mm
- Tournevis à tête cruciforme
- Pincettes à bords fins (si équipé avec écrou e-ring)

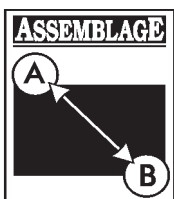
Pour installer l'Ensemble de Roues, procédez comme suit:
(Voir la Figure 36)

1. Placez la génératrice sur une surface plane rigide. Pour faciliter l'assemblage, soulevez temporairement l'unité à l'aide de blocs.
2. Faites glisser l'essieu à travers les trous des supports présents sur le berceau de la génératrice, puis ajoutez deux butées d'espacement sur chaque bout sortant de l'essieu.
- 3A. Glissez une roue sur chaque bout de l'essieu et fixez-la à l'aide d'une rondelle et d'une tige de retenue (ou écrou e-ring en plaçant l'écrou e-ring sur la rainure de l'essieu).

REMARQUE: Posez les roues avec la valve à pneu pointant vers l'extérieur.

- 3B. Placez un bout des pincettes à bords fins au-dessous de l'essieu et l'autre bout des pincettes au-dessus de l'écrou e-ring. Assurez l'assise de l'écrou e-ring en serrant les pincettes.
4. Tel qu'illustré, glissez la tige de relâchement de la poignée sur la barre d'assemblage des roues avant.
5. Fixez l'ensemble des roues avant au berceau à l'aide des vis de blocage, des rondelles et des contre-écrous. Enlevez les blocs temporaires.
6. Glissez le pare-chocs sur le pré-enfilé soit la vis qui entraîne et attache le trombone de ressort au générateur.
7. Fixez la poignée sur l'assemblage des roues avant à l'aide de la tige de relâchement de la poignée.
8. Vérifiez que toutes les attaches sont fermement fixées et que les pneus sont gonflés adéquatement. La pression des pneus devrait se situer entre 15 et 40 psi.



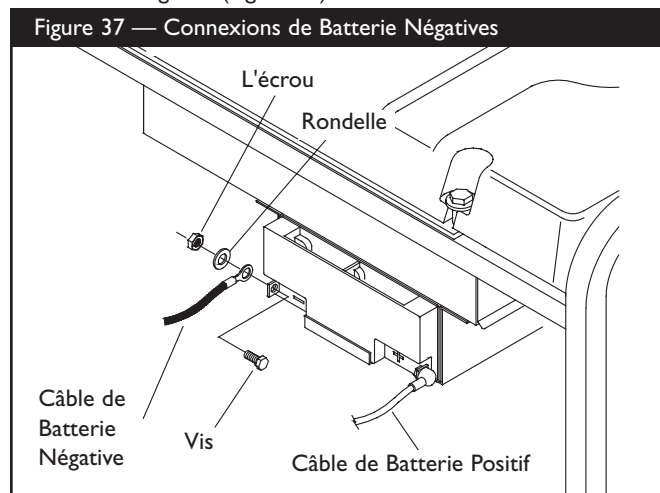


VÉRIFIEZ LA BATTERIE/FIXEZ LE CÂBLE DE RETOUR DE LA BATTERIE

La batterie scellée sur le générateur est complètement chargée et pré-installée, à l'exception du câble (noir) de la batterie.

Installation:

- Coupez la ceinture de câble pour libérer l'extrémité de retour (noire) du câble.
- Enlevez l'écrou et la rondelle de borne négative de batterie.
- Glissez le câble négatif de batterie au-dessus de la vis sur le terminal négative (Figure 37).



- Rattachez la rondelle et l'écrou et serrez.
- Vérifiez que les branchements de la batterie et du générateur sont appropriés et sécuritaires.

AVANT LE DÉMARRAGE DU MOTEUR

Ajouter de l'Huile

ATTENTION! Toute tentative de faire démarrer le moteur avant de l'avoir rempli au bon niveau avec de l'huile recommandée causera la panne du moteur.

Pour ajouter de l'huile de moteur:

- Mettre le générateur sur une surface à niveau.
- Suivre les recommandations du degré de viscosité de l'huile et les instructions de remplissage d'huile données dans le manuel de l'utilisateur du moteur.

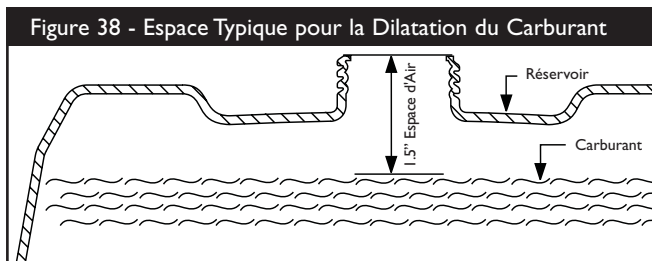
REMARQUE: Le champ tournant du générateur est porté par un roulement à billes pré-lubrifié et scellé qui ne nécessite aucune lubrification supplémentaire pendant toute la durée de vie du roulement.

Ajouter de l'Essence

AVERTISSEMENT! Ne remplissez jamais le réservoir à l'intérieur. Ne remplissez jamais le réservoir lorsque le moteur est en marche ou lorsqu'il est chaud. Laissez la machine refroidir pendant deux minutes avant de remplir le réservoir. **N'allumez pas** une cigarette ou ne fumez pas lorsque vous remplissez le réservoir.

AVERTISSEMENT! Ne pas trop remplir le réservoir. Toujours laisser de la place pour la dilatation du carburant.

- Utiliser de l'essence normale **SANS PLOMB** avec le moteur du générateur. **Ne Pas** utiliser de super. **Ne Pas** mélanger de l'huile avec de l'essence.
- Nettoyer autour du bouchon de réservoir, enlever le bouchon.
- Ajoutez lentement du carburant dans le réservoir. Laissez environ 1,5 po d'espace dans le réservoir pour l'expansion de l'essence (Figure 38).



- Remettre le bouchon d'essence et essuyer toute essence renversée.

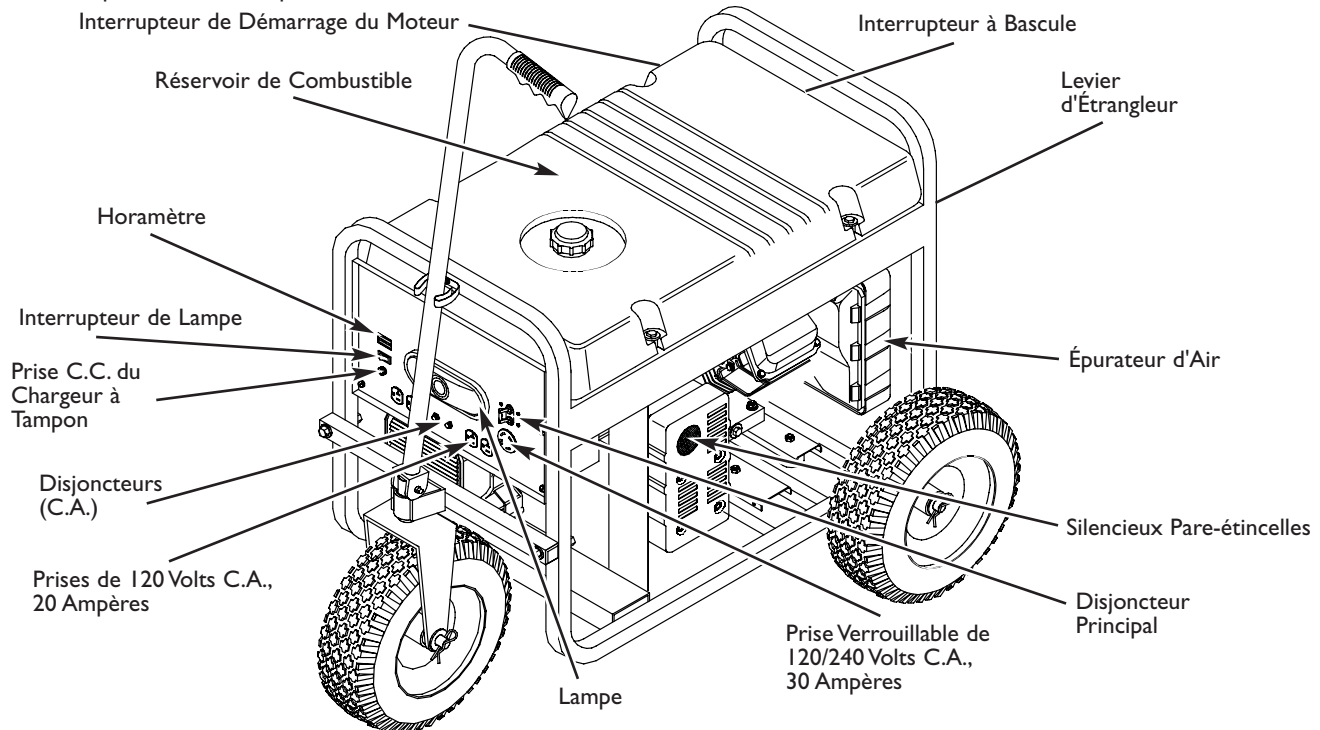
IMPORTANT: Il est important d'empêcher la formation de gomme dans les pièces du système de carburation telles que le carburateur, le filtre à essence, le tuyau d'essence ou le réservoir pendant le remisage. On sait également par expérience que les carburants contenant de l'alcool (appelés gasohol, éthanol ou méthanol) peuvent attirer l'humidité qui provoque la séparation et la formation d'acides pendant le remisage. Un gaz acide peut endommager le système de carburation d'un moteur pendant le remisage. N'oubliez pas de consulter les précautions indiquées au chapitre "Remisage" à la page 66.

Ne Jamais utiliser de produits de nettoyage du carburateur ou du moteur dans le réservoir d'essence, des dégâts permanents risquent de se produire.

FAMILIARISEZ-VOUS AVEC VOTRE UNITÉ DE GÉNÉRATION RÉSIDENIELLE

Lire ce manuel de l'utilisateur et les règles de sécurité avant de faire marcher votre générateur.

Comparez les illustrations avec votre générateur pour vous familiariser avec l'emplacement des diverses commandes et réglages. Gardez ce manuel pour le consulter plus tard.



Disjoncteur Principal - Utilisé pour couper l'alimentation de la prise de 30 Ampères de l'unité.

Disjoncteurs (C.A.) - Chaque prise est munie d'un disjoncteur afin de protéger la génératrice contre les surtensions. Les coupe-circuits sont de type " pousser pour réarmer ".

Horamètre - L'horamètre enregistre le nombre total d'heures de fonctionnement de la génératrice et sert à planifier les tâches d'entretien.

Interrupteur de Démarrage du Moteur - Appuyez pour démarrer le moteur.

Interrupteur à Bascule - Réglez cet interrupteur sur " On " avant le démarrage. Réglez l'interrupteur sur " Stop " pour arrêter le moteur.

Lampe et Interrupteur de Lampe - Fournit l'éclairage lors d'une panne de courant afin que la génératrice puisse être branchée au boîtier de raccordement en toute sécurité. La lampe s'allume et s'éteint à l'aide de l'interrupteur de lampe.

Lanceur - (Non illustré) Utilisé comme dispositif de secours pour le démarrage du moteur.

Levier d'Étrangleur - Utilisé lors du démarrage à froid d'un moteur.

Prise C.C. du Chargeur à Tampon - Branchez le chargeur à tampon dans cette prise et dans une prise murale de la maison pour fournir à la batterie une charge à régime lent lors de l'entreposage.

Prise Verrouillable de 120/240 Volts C.A., 30 Ampères - Peuvent être utilisées pour alimenter les circuits d'éclairage, les électroménagers, les outils et les moteurs de 120 et/ou 240 Volts C.A., 30 Ampères, monophasé, 60 Hz.

Prises de 120 Volts C.A., 20 Ampères - Peuvent être utilisées pour alimenter les circuits d'éclairage, les électroménagers, les outils et les moteurs de 120 Volts C.A., 20 Ampères, monophasé, 60 Hz.

Réservoir de Combustible - Capacité de huit (8) gallons US (30 l).

Silencieux Pare-étincelles - Le silencieux d'échappement réduit le bruit du moteur et est muni d'un écran pare-étincelles.

Écrou à Oreilles de Mise à la Masse - (Non illustré, voir page 59) Utilisé pour une mise à la masse adéquate de l'unité.

Épurateur d'Air - Cet élément comporte un filtre à air sec et un dépoussiéreur primaire à mousse afin de réduire la saleté et la poussière qui entrent dans le moteur.



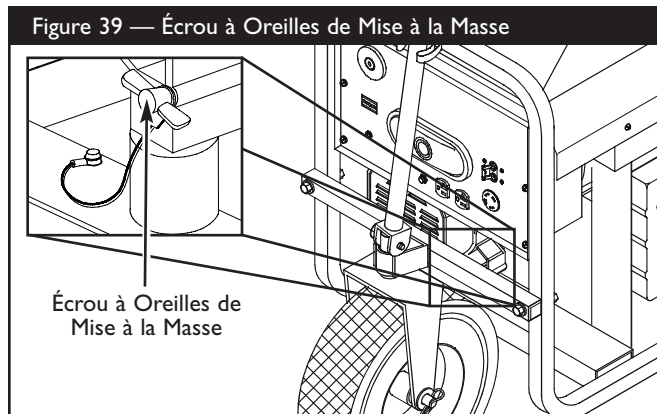
MISE À LA MASSE DE LA GÉNÉRATRICE

Le Code national de l'électricité exige que le cadre et les pièces externes conductrices d'électricité de cette génératrice soient adéquatement raccordés à une mise à la masse approuvée. Le code de l'électricité national peut également exiger une mise à la masse adéquate de l'unité. Lorsque l'unité est branchée à la boîte d'entrée d'alimentation adéquatement installée du système, la génératrice est automatiquement raccordée au système de mise à la masse de l'édifice.

IMPORTANT: Lorsque l'unité est utilisée comme génératrice autonome, elle doit être raccordée à une tige de mise à la terre.

La mise à la masse adéquate de la génératrice aide à prévenir les chocs électriques lorsque la mise à la masse de la génératrice ou d'un appareil électrique qui y est relié est défectueuse, surtout si le générateur est équipé avec une trousse de roue. Une mise à la masse adéquate aide aussi à dissiper l'électricité statique, laquelle s'accumule dans les appareils non mis à la masse.

UN ÉCROU À OREILLES est fourni (Figure 39) pour la mise à la masse.



Le raccordement d'un fil torsadé en cuivre N° 12 AWG (American Wire Gauge) à l'écrou à oreilles de mise à la masse et à une tige de cuivre ou de bronze reliée à la terre (électrode) procure une protection adéquate contre les chocs électriques.

ATTENTION! Ne pas raccorder l'unité à une tige de mise à la terre si l'unité est en même temps reliée à la boîte d'entrée d'alimentation de l'édifice.

MISE EN MARCHÉ DE LA GÉNÉRATRICE

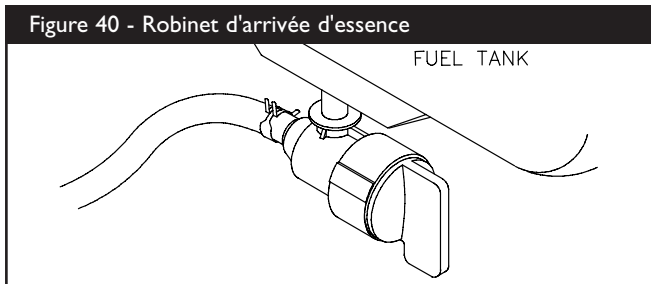
ATTENTION! Ne Jamais démarrer ou arrêter le moteur alors que les appareils électriques sont branchés dans les prises ET en MARCHÉ.

IMPORTANT: Débranchez toujours le chargeur à tampon de la batterie avant de démarrer la génératrice.

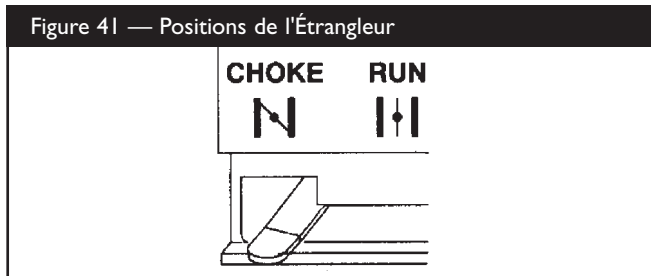
Démarrage du Moteur

Débranchez toutes les charges électriques de la génératrice. Suivez les instructions de démarrage suivantes, en respectant leur ordre numérique.

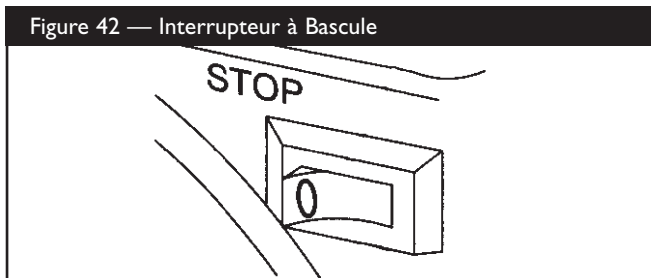
1. Placez la vanne de combustible en position "On" (Figure 40).



2. Pour démarrer un moteur à froid, placez le levier d'étrangleur à la position "Choke". Pour redémarrer un moteur à chaud, laissez le levier d'étrangleur en position "Run" (Figure 41).



3. Réglez l'interrupteur à bascule en position "On" (Figure 42).



- 4A. Pour un démarrage électrique, appuyez sur l'interrupteur de démarrage situé sur le berceau de la génératrice. Afin de prolonger la durée de vie utile des pièces du démarreur, n'appuyez pas sur le bouton de démarrage pendant plus de 15 secondes, et patientez 30 secondes avant de réessayer.
- 4B. Pour un démarrage manuel, saisissez la poignée du démarreur et tirez lentement jusqu'à ce que vous sentiez une légère résistance. Puis, d'un geste rapide, tirez le cordon sur toute sa longueur. Laissez le cordon s'enrouler lentement. **NE laissez PAS** le cordon se frapper contre le démarreur.



5. Si le levier d'étrangleur a été placé en position "**Choke**" pour le démarrage du moteur, ramenez-le graduellement en position "**Run**" au fur et à mesure que le moteur se réchauffe.

REMARQUE: Si le moteur ne démarre pas après 3 essais, vérifiez si le niveau d'huile du carter du moteur est adéquat. Cette unité est munie d'un système d'arrêt du moteur en cas de bas niveau d'huile. Consultez le manuel du moteur.

Reportez-vous au manuel d'utilisation du moteur pour obtenir des instructions complètes sur le démarrage.

Raccordement de Charges Électriques

- Laissez le moteur se réchauffer et se stabiliser durant quelques minutes suite au démarrage.
- Mettez sous tension le coupe-circuit principal afin d'alimenter le connecteur de 30 Ampères.
- Branchez l'unité à la boîte d'entrée d'alimentation en suivant les instructions de raccordement indiquées dans la section "Commuter vers l'Alimentation de la Génératrice", à la page 63. Ou branchez et mettez sous tension les charges électriques de 60 Hertz, monophasées à 120 et/ou 240 Volts C.A.
- **Ne Pas** brancher des charges de 240 Volts à des prises de 120 Volts.
- **Ne Pas** brancher des charges triphasées au générateur.
- **Ne Pas** brancher des charges de 50 Hertz au générateur.
- **NE SURCHARGEZ PAS LA GÉNÉRATRICE.** Si l'unité n'est pas utilisée conjointement avec le commutateur de transfert semi-automatique, calculez le total de puissance nominale (ou d'Ampères) de toutes les charges qui seront branchées simultanément. Ce total ne doit pas dépasser la capacité de puissance nominale ou d'intensité du courant de la génératrice. Voir "Ne Surchargez pas la Génératrice", à la page 62.

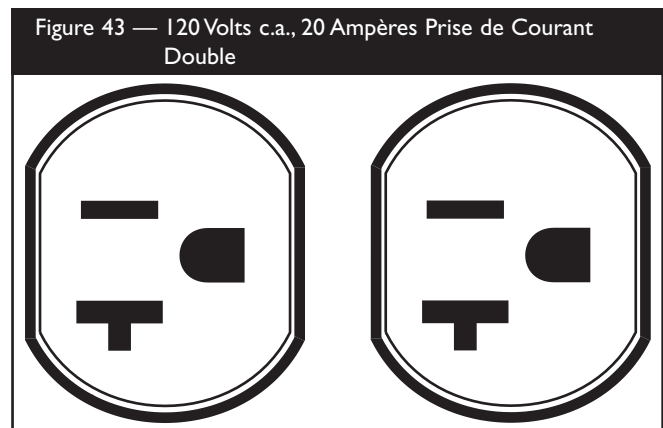
Arrêt du Moteur

- Débrancher toutes les charges électriques des prises du générateur. **Ne Jamais** mettre en route ou arrêter le moteur alors que les appareils électriques sont branchés et en marche.
- Laissez le moteur tourner à vide pendant 30 secondes pour stabiliser les températures internes du moteur et du générateur.
- Placez le levier d'étrangleur à la position "**Slow**".
- Placez la vanne de combustible en position "**Off**".
- Laissez le moteur diminuer de régime.
- Placez l'interrupteur à bascule en position "**Stop**".

PRISES DE COURANT

120 Volts c.a., 20 Ampères Prise de Courant Double

Chaque prise de courant (Figure 43) est protégée contre la surcharge par un disjoncteur que l'on pousse pour ré-enclencher de 20 Ampères.



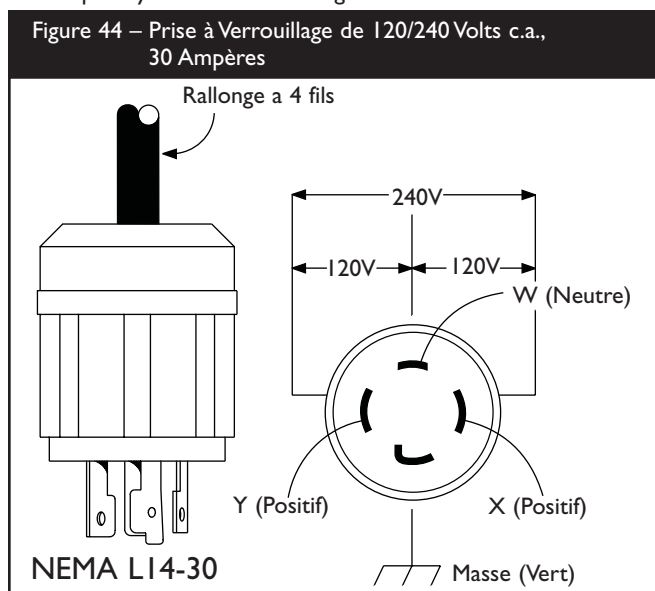
Utilisez chaque prise de courant pour faire fonctionner les charges électriques de 120 Volts c.a., monophasées, 60 Hz nécessitant jusqu'à 2,400 Watts (2,4 KW) à 20 Ampères.



Prise à Verrouillage de 120/240 Volts c.a., 30 Ampères

Utilisez cette prise pour brancher l'unité au boîtier de raccordement à l'aide du cordon fourni.

Une prise NEMA L14-30 est utilisée avec cette prise de courant. Raccordez un ensemble de cordons à quatre fils pouvant résister à des charges de 250 Volts C.A., à 30 Ampères (ou supérieure) (Figure 44). Vous pouvez vous servir du même cordon à quatre fils si vous prévoyez utiliser une charge de 120 Volts.



Cette prise donne du courant à des charges de 120/240 Volts c.a., 60 Hertz, monophasées, nécessitant jusqu'à 3,600 Watts de puissance (3,6 kW) à 30 Ampères pour 120 Volts; 6,500 Watts de puissance (6,5 kW) à 27,1 Ampères pour 240 Volts. La prise est protégée par un disjoncteur de 30 Ampères.

ATTENTION! Même si cette prise indique un service nominal de 240 Volts, à 30 Ampères (jusqu'à 7,200 Watts), la puissance nominale de la génératrice est de 6,500 Watts. Le fait d'alimenter des charges supérieures à la puissance ou à l'intensité de courant nominales de la génératrice peut endommager celle-ci ou causer des blessures graves. Les charges de 240 Volts alimentées par cette prise ne doivent pas dépasser un appel de courant de 27,1 Ampères.

Éclairage

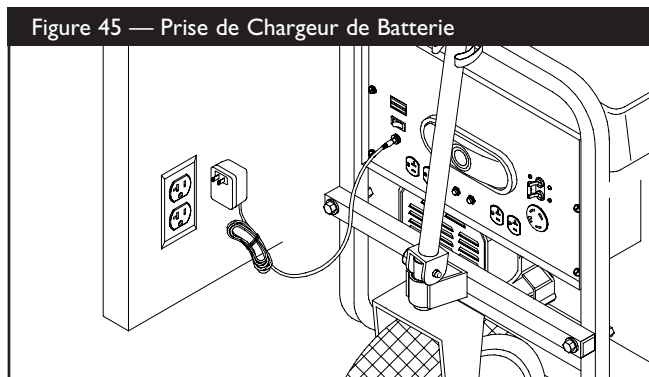
Une lampe est fixée au panneau électrique afin de faciliter les déplacements dans le noir. Allumez la lampe à l'aide de l'interrupteur situé sur le panneau électrique.

Éteignez toujours la lampe lorsqu'elle n'est pas utilisée, car elle épuise la batterie de la génératrice. Éteignez la lampe lorsque la génératrice est en marche.

Comment Utiliser le Chargeur de Batterie

Utilisez la prise du chargeur à tampon de la batterie pour conserver la charge de la batterie de démarrage et pour qu'elle soit prête à être utilisée. Le chargement de la batterie doit être effectué dans un endroit sec, tel un garage.

- Branchez le chargeur dans la prise 12 Volts CC du chargeur à tampon, laquelle est située sur le panneau électrique (Figure 45). Branchez le chargeur de batterie dans une prise murale de 120 Volts C.A.



- Lors du démarrage de la génératrice ou pendant que celle-ci est en marche, débranchez le chargeur de l'unité et de la prise murale.
- Afin de prolonger la durée de vie utile de la batterie, laissez ce chargeur branché lorsque la génératrice n'est pas en marche. Le chargeur est muni d'un compensateur de phase à tampon et ne surchargera pas la batterie, même si celle-ci est branchée durant de longues périodes.

IMPORTANT: Pour obtenir des renseignements supplémentaires, voir "Entretien de la Batterie", à la page 65.

Horamètre

L'horamètre fonctionne en tout temps lorsque le moteur de l'unité est en marche. Utilisez l'horamètre pour planifier les tâches d'entretien indiquées dans les guides d'utilisation.



NE SURCHARGEZ PAS VOTRE GÉNÉRATRICE

REMARQUE: Reportez-vous à la présente section lorsque vous utilisez la génératrice **sans** commutateur de transfert semi-automatique. Demandez à l'installateur du commutateur de transfert semi-automatique de réviser les techniques de gestion de charges. Voir " Circuits essentiels " à la page 54.

Capacité

Vous devez vous assurer que votre générateur puisse fournir suffisamment de puissance nominale (appareil en marche) et de surtension (au démarrage) pour les appareils que vous voulez alimenter en même temps. Suivez ces étapes simples:

- Sélectionnez les appareils que vous voulez alimenter simultanément.
- Additionnez la puissance nominale (en marche) de ces appareils. Vous obtiendrez le montant de puissance que votre générateur doit produire pour faire fonctionner ces appareils. Voir Figure 46.
- Évaluez le nombre de watts de surtension dont vous aurez besoin (au démarrage). La puissance de surtension est la brève explosion de puissance nécessaire pour démarrer les outils à moteur électrique ou les appareils électroménagers comme une scie circulaire ou un réfrigérateur. Parce que tous les moteurs ne démarrent pas au même moment, vous pouvez évaluer la puissance de surtension totale en additionnant seulement le ou les article(s) pour le(s)quel(s) la puissance de surtension supplémentaire est la plus importante, à la puissance nominale indiquée à l'étape 2.

Exemple:

Outil ou appareil électroménager	Puissance nominale (appareil en marche)	Puissance de surtension supplémentaire (au démarrage)
Climatiseur de fenêtre	1200	1800
Réfrigérateur	800	1600
Congélateur	500	500
Téléviseur	500	-
Éclairage (75 watts)	75	-
	3075 watts au total pendant le fonctionnement	1800 watts de surtension

Puissance nominale (appareil en marche) = 3,075

Watts de surtension supplémentaire = 1,800

Puissance totale du générateur supplémentaire = 4,875

Gestion de la Consommation

Afin de prolonger la durée de vie de votre générateur et des accessoires, il est important de faire attention lorsque vous ajoutez des charges électriques à votre générateur. Aucun appareil ne doit être branché aux prises du générateur avant de démarrer le moteur. La manière correcte et sans aucun risque de gérer la consommation du générateur est d'ajouter séquentiellement des charges comme indiqué ci-dessous:

- Démarez le moteur comme l'indique ce manuel, sans aucun appareil branché au générateur.

2. Branchez et mettez en marche la première charge, la plus importante de préférence.
3. Laissez la puissance de sortie du générateur se stabiliser (le moteur tourne régulièrement et les dispositifs branchés fonctionnent correctement).
4. Branchez et mettez la charge suivante en marche.
5. De nouveau, laissez le générateur se stabiliser.
6. Répétez les étapes 4 et 5 pour chaque charge supplémentaire.

N'AJOUTEZ JAMAIS de charges supérieures à la puissance du générateur. Vérifiez particulièrement les charges de surtension de la capacité du générateur, comme il est indiqué ci-dessus.

Figure 46 - Tableau de Référence de Puissance

Outil ou appareil électroménager	Puissance nominale* (appareil en marche)	Puissance de surtension supplémentaire (au démarrage)
Essentiels		
Ampoule électrique de 75 watts	75	-
Surgélateur	500	500
Pompe de puisards	800	1200
Réfrigérateur/congélateur de 18 pi cu	800	1600
Pompe de puits à eau – 1/3 HP	1000	2000
Air chaud/air froid		
Ventilateur de fenêtre	300	600
Courant continu – 10000 BTU	1200	1800
Ventilateur d'appareil de chauffage: ½ HP	800	1300
Cuisine		
Four à micro ondes de 1000 watts	1000	-
Cafetière	1500	-
Four électrique à élément unique	1500	-
Plaque de cuisson	2500	-
Salle familiale		
Lecteur de DVD/CD	100	-
Magnétoscope	100	-
Récepteur stéréo	450	-
Téléviseur couleur de 27 po	500	-
Ordinateur individuel avec moniteur de 17 po	800	-
Autres		
Système de sécurité	180	-
Radio/réveil AM/FM	300	-
Ouvre-porte de garage – 1/2 HP	480	520
Chauffe-eau électrique de 40 gallons	4000	-
Outils de bricolage/atelier		
Lampe de travail halogène	1000	-
Pulvérisateur sans air – 1/3 HP	600	1200
Scie alternative	960	960
Perceuse électrique – ½ HP	1000	1000
Scie circulaire - 7 ¼ po	1500	1500
Scie à onglets – 10 po	1800	1800
Raboteuse de table – 6 po	1800	1800
Scie d'établi/scie à bras radial – 10 po	2000	2000
Compresseur d'air - 1-1/2 HP	2500	2500

*La puissance indiquée ci-dessus est approximative. Vérifiez les outils ou les appareils électroménagers pour connaître leur puissance en watts.



UTILISATION DU COMMUTATEUR DE TRANSFERT D'ÉNERGIE

Commutation à l'Alimentation par la Génératrice

Pour commuter à l'alimentation par la génératrice, suite à une panne de courant :

1. Tel qu'illustré à la Figure 47, alignez la douille femelle du cordon d'alimentation avec la prise d'accouplement mâle du boîtier de raccordement. Insérez le connecteur du cordon d'alimentation et tournez dans le sens horaire pour verrouiller.

Figure 47 — Branchement du Boîtier de Raccordement



2. Tel qu'illustré à la Figure 48, alignez les broches mâles situées à l'autre extrémité du cordon avec les terminaux d'accouplement femelles de la prise de 240 Volts de la génératrice. Insérez le connecteur et tournez dans le sens horaire pour verrouiller.

Figure 48 — Alignement des Connecteurs au Niveau de la Génératrice



3. Assurez-vous que la génératrice est située à l'extérieur et que les niveaux des fluides et du combustible sont pleins.
4. Ouvrez le disjoncteur principal situé sur le panneau électrique de la génératrice. Démarrez la génératrice en suivant les instructions de la section " Fonctionnement de la Génératrice ", page 59.
5. Fermez le disjoncteur principal de la génératrice.
6. Après une dizaine de secondes, le commutateur de transfert transférera les charges des circuits essentiels vers la génératrice.

Gestion des Charges

Le nombre de circuits pouvant être alimentés simultanément lors d'une panne électrique dépend de la capacité de puissance nominale de la génératrice. **La plupart des génératrices portatives n'ont pas la capacité d'alimenter simultanément les charges de tous les disjoncteurs.**

Révisez le plan de gestion des charges conçu avec l'installateur (voir "Planification de l'Installation" dans le guide d'installation, pièce N° 190854). Pour que les appareils électroménagers requis puissent fonctionner sans danger grâce à l'alimentation par génératrice, il peut s'avérer nécessaire de mettre certaines charges sous tension ou hors tension de façon sélective.



Commutation à l'Alimentation de Service

Suite au rétablissement du courant normal, pour passer de l'alimentation par génératrice à l'alimentation de service:

1. Ouvrez le disjoncteur principal de la génératrice. Après un délai de trois secondes, le commutateur de transfert effectuera le transfert à l'alimentation de service.
2. Arrêtez la génératrice après une période de refroidissement de cinq minutes.
3. Débranchez le cordon d'alimentation du boîtier de raccordement et de la génératrice.

Mise à l'Essai

Suite à l'installation, procédez à l'essai du groupe électrogène comme suit:

1. Ouvrez tous les disjoncteurs contenus dans le boîtier du commutateur de transfert.
2. Placez la génératrice près du boîtier de raccordement.
3. Branchez le cordon d'alimentation au boîtier de raccordement de la maison (voir Figure 47).
4. Branchez l'autre extrémité du cordon d'alimentation à la génératrice (voir Figure 48). Assurez-vous que le disjoncteur de la génératrice est ouvert (OFF).
5. Démarrez la génératrice et laissez réchauffer durant cinq minutes. Mettez sous tension le disjoncteur principal de la génératrice. Après une dizaine de secondes, le commutateur de transfert transférera l'alimentation de la génératrice aux circuits essentiels.
6. Sur le commutateur de transfert, réglez le premier disjoncteur en position " ON ". Vérifiez si la charge fonctionne adéquatement. Remettez le disjoncteur en position " OFF ".
7. Pour chacun des autres disjoncteurs du commutateur de transfert, répétez l'étape 6 ci-dessus.
8. Après l'essai, assurez-vous que tous les disjoncteurs sont fermés (ON).
9. Mettez hors tension le disjoncteur principal et laissez refroidir la génératrice durant cinq minutes. Arrêtez la génératrice, et débranchez le cordon d'alimentation du boîtier de raccordement et de la génératrice.



CARACTÉRISTIQUES

Génératrice

Modèle	01678
Puissance Nominale Maximum.	6,500 Watts
Charge Nominale Maximum:	
à 240 Volts	27,1 Ampères
à 120 Volts	54,2 Ampères
Tension Nominale C.A.	120/240 Volts
Fréquence Nominale	60 Hz à 3,600 tr/m
Phase	Monophasé
Facteur de Puissance	1.0
Plage d'Utilisation Normale.	-28.8°C (-20°F) to 40°C (104°F)
Capacité du Réservoir	
de Combustible.	30 l (8 Gallons US)
Poids du Système à l'Expédition	296 lbs.

Commutateur de Transfert

Nombre de Circuits Maximum	10
Charge Maximum/Circuit:	
de la Génératrice	27.1 Ampères
du Point de Distribution.	50 Ampères
Watts Maximum	6,500
Longueur du Cordon	
d'Alimentation	3 m (10 pi.)
Puissance du Boîtier de Raccordement	
Connecteur d'Entrée	NEMA L14-30

RECOMMANDATIONS GÉNÉRALES D'ENTRETIEN

Le propriétaire/utilisateur est responsable de la complétion de toutes les tâches périodiques d'entretien en temps voulu; il doit s'assurer aussi que toutes anomalies sont corrigées; et que la machine est gardée propre et remise correctement. **Ne jamais faire marcher un générateur endommagé ou défectueux.**

Entretien du Moteur

Voit le manuel du propriétaire de moteur pour les instructions.



ATTENTION! Évitez tout contact cutané prolongé ou répété avec l'huile moteur usagée. Il a été démontré que l'huile moteur usagée risque de provoquer un cancer de la peau chez certains animaux de laboratoire. Rincez consciencieusement les zones exposées avec de l'eau et du savon.

GARDEZ HOS DE PORTÉE DES ENFANTS. NE POLLUEZ PAS. CONSERVEZ LE SURPLUS. RAPPORTEZ L'HUILE USAGÉE AUX CENTRES DE RECYCLAGE.

Entretien du Générateur

L'entretien du générateur consiste à le garder propre et sec. Faire marcher et remiser l'appareil dans un environnement propre et sec où celui-là ne sera pas exposé à trop de poussière, de saleté, d'humidité ou à des vapeurs corrosives. Les fentes de refroidissement par air du générateur ne doivent pas être bouchées par de la neige, des feuilles ou tout autre corps étranger.

REMARQUE: Ne Pas d'utiliser un tuyau d'arrosage pour nettoyer le générateur. L'eau peut entrer dans le système de carburation du moteur et causer des problèmes. De plus, si l'eau entre par les fentes de refroidissement à air, une partie de l'eau restera dans les creux et craquelures de l'isolation du bobinage du rotor et du stator. L'eau et l'accumulation de saleté sur ces bobinages internes du générateur réduiront progressivement la résistance d'isolation de ces bobinages.

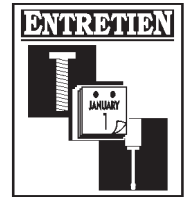
Entretien de la Batterie

La batterie ne nécessite aucun entretien autre que le chargement à flotteur, décrit dans le présent manuel. Gardez la batterie et les bornes propres et sèches.

IMPORTANT: Le chargement de la batterie doit être effectué dans un endroit sec, à l'intérieur d'un garage par exemple.

Pour Nettoyer le Générateur

- Se servir d'un chiffon humide pour essuyer et nettoyer les surfaces extérieures.
- Une brosse douce à poils soyeux peut être utilisée pour dégager la saleté, l'huile durcie.
- Un aspirateur peut être utilisé pour ramasser la saleté et les débris qui ne sont pas collés.
- On peut se servir d'air comprimé à basse pression (pas plus de 25 psi) pour enlever la saleté. Inspectez les fentes d'air de refroidissement et les ouvertures sur le générateur. Ces ouvertures doivent rester propres et non bouchées.



REMISAGE

Le générateur doit être mis en route au moins une fois tous les sept jours et doit marcher pendant au moins 30 minutes. Si vous ne pouvez pas faire cela et que vous devez remisier le générateur pour plus de 30 jours, utiliser les informations ci-après comme guide pour préparer votre appareil au remisage.

Remisage du Générateur

- Nettoyez le générateur comme indiqué à la section "Pour Nettoyer le Générateur".
- Vérifiez si les fentes d'air de refroidissement et les ouvertures de votre générateur sont ouvertes et non bouchées.



ATTENTION! Les couvertures d'emmagasinage peuvent être inflammables. **Ne Pas** placer une couverture d'emmagasinage par-dessus un générateur chaud. Laisser l'unité refroidir pour un temps suffisant avant de placer la couverture sur l'unité.

- Branchez le chargeur de batterie dans la prise C.C. du chargeur à tampon du panneau électrique et dans une prise de la maison.

Remisage du Moteur

Voir les instructions sur la manière de remisier correctement le moteur dans le manuel de l'utilisateur du moteur.

Autres Idées de Remisage

- Pour éviter la formation de gomme dans le système d'alimentation en carburant ou sur des pièces essentielles du carburateur, videz stabilisateur d'essence fournis dans le réservoir et remplissez-les de carburant frais. Faites fonctionner l'appareil pendant plusieurs minutes pour faire circuler l'adjuvant dans le carburateur. Vous pouvez conserver l'unité et le carburant pendant plus de 24 mois. Vous pouvez acheter du stabilisateur d'essence auprès de l'un de vos fournisseurs habituels.
- **Ne** gardez pas le carburant d'une saison à l'autre, à moins qu'il ait été traité, comme indiqué ci-dessus.
- Remplacez le carburant s'il commence à rouiller. La rouille et/ou la poussière dans le carburant peuvent causer des problèmes lorsque vous l'utilisez avec cet appareil.
- Conservez dans un endroit propre et sec.

Communications avec le Fabricant

Si vous devez communiquer avec le service technique de la société Briggs & Stratton pour l'entretien ou la réparation de cette unité, ayez en main les renseignements suivants :

1. Notez le numéro de modèle ainsi que le numéro de série de l'unité, lesquels sont indiqués sur le décalque apposé sur l'unité.
2. Notez les numéros de modèle, de type et de code du moteur, lesquels sont indiqués sur la plaque apposée au moteur.



DÉPANNAGE

Problème	Cause	Solution
Le moteur fonctionne, mais il n'y a aucune sortie de C.A.	<ol style="list-style-type: none">1. Disjoncteur ouvert sur la génératrice.2. Raccords du câblage mal effectués ou commutateur de transfert défectueux.3. Disjoncteur ouvert ou défectueux sur le commutateur de transfert.4. Problème avec la génératrice.	<ol style="list-style-type: none">1. Réarmez le disjoncteur.2. Vérifiez et réparez.3. Réarmez ou remplacez le disjoncteur.4. Contactez une centre de service agréé Briggs & Stratton.
Le moteur tourne bien mais connaît des ratés lorsque les charges sont branchées.	<ol style="list-style-type: none">1. Court-circuit dans une des charges branchées.2. Surcharge de la génératrice.3. Régime de la génératrice trop lent.4. Court-circuit sur un circuit de la génératrice.	<ol style="list-style-type: none">1. Débranchez la charge électrique ayant un court-circuit.2. Voir "Circuits Essentiels", à la page 54.3. Contactez le centre de service agréé Briggs & Stratton.4. Contactez le centre de service agréé Briggs & Stratton.
Le moteur ne démarre pas, ou il démarre et a des ratés.	<ol style="list-style-type: none">1. Interrupteur à bascule réglé sur "Stop".2. Vanne de combustible en position "Off".3. Filtre à air encrassé.4. Combustible épuisé.5. Combustible éventé.6. Fil de bougie non branché à la bougie.7. Bougie défectueuse.8. Eau présente dans le combustible.9. Sur-étranglement.10. Bas niveau d'huile.11. Mélange de combustible excessivement riche.12. Soupape d'aspiration bloquée en position ouverte ou fermée.13. Perte de compression du moteur.14. Batterie défectueuse.	<ol style="list-style-type: none">1. Réglez l'interrupteur sur "On".2. Tournez la vanne de combustible à la position "On".3. Nettoyez ou remplacez le filtre à air.4. Faites le plein du réservoir.5. Vidangez le réservoir et faites le plein avec du nouveau combustible.6. Branchez le fil à la bougie.7. Remplacez la bougie.8. Vidangez le réservoir; faites le plein avec du nouveau combustible.9. Tirez le levier d'étrangleur en position "Run".10. Remplissez le carter au niveau adéquat.11. Contactez le centre de service agréé Briggs & Stratton.12. Contactez le centre de service agréé Briggs & Stratton.13. Contactez le centre de service agréé Briggs & Stratton.14. Remplacez la batterie.
Le moteur s'arrête lorsqu'il est en marche.	<ol style="list-style-type: none">1. Panne de combustible.2. Bas niveau d'huile.3. Problème avec le moteur.	<ol style="list-style-type: none">1. Faites le plein du réservoir.2. Remplissez le carter au niveau adéquat.3. Contactez le centre de service agréé Briggs & Stratton.
Manque de puissance du moteur.	<ol style="list-style-type: none">1. Charge trop élevée.2. Filtre à air encrassé.3. Il faut effectuer l'entretien du moteur.	<ol style="list-style-type: none">1. Voir "Circuits Essentiels", à la page 54.2. Remplacez le filtre à air.3. Contactez le centre de service agréé Briggs & Stratton.
À-coups ou déclin du moteur.	<ol style="list-style-type: none">1. Étrangleur ouvert trop tôt.2. Mélange trop riche ou trop pauvre dans le carburateur.	<ol style="list-style-type: none">1. Déplacez l'étrangleur à mi-chemin jusqu'à ce que le moteur tourne rondement.2. Contactez le centre de service agréé Briggs & Stratton.

Free Manuals Download Website

<http://myh66.com>

<http://usermanuals.us>

<http://www.somanuals.com>

<http://www.4manuals.cc>

<http://www.manual-lib.com>

<http://www.404manual.com>

<http://www.luxmanual.com>

<http://aubethermostatmanual.com>

Golf course search by state

<http://golfingnear.com>

Email search by domain

<http://emailbydomain.com>

Auto manuals search

<http://auto.somanuals.com>

TV manuals search

<http://tv.somanuals.com>