



Home Generator Systems

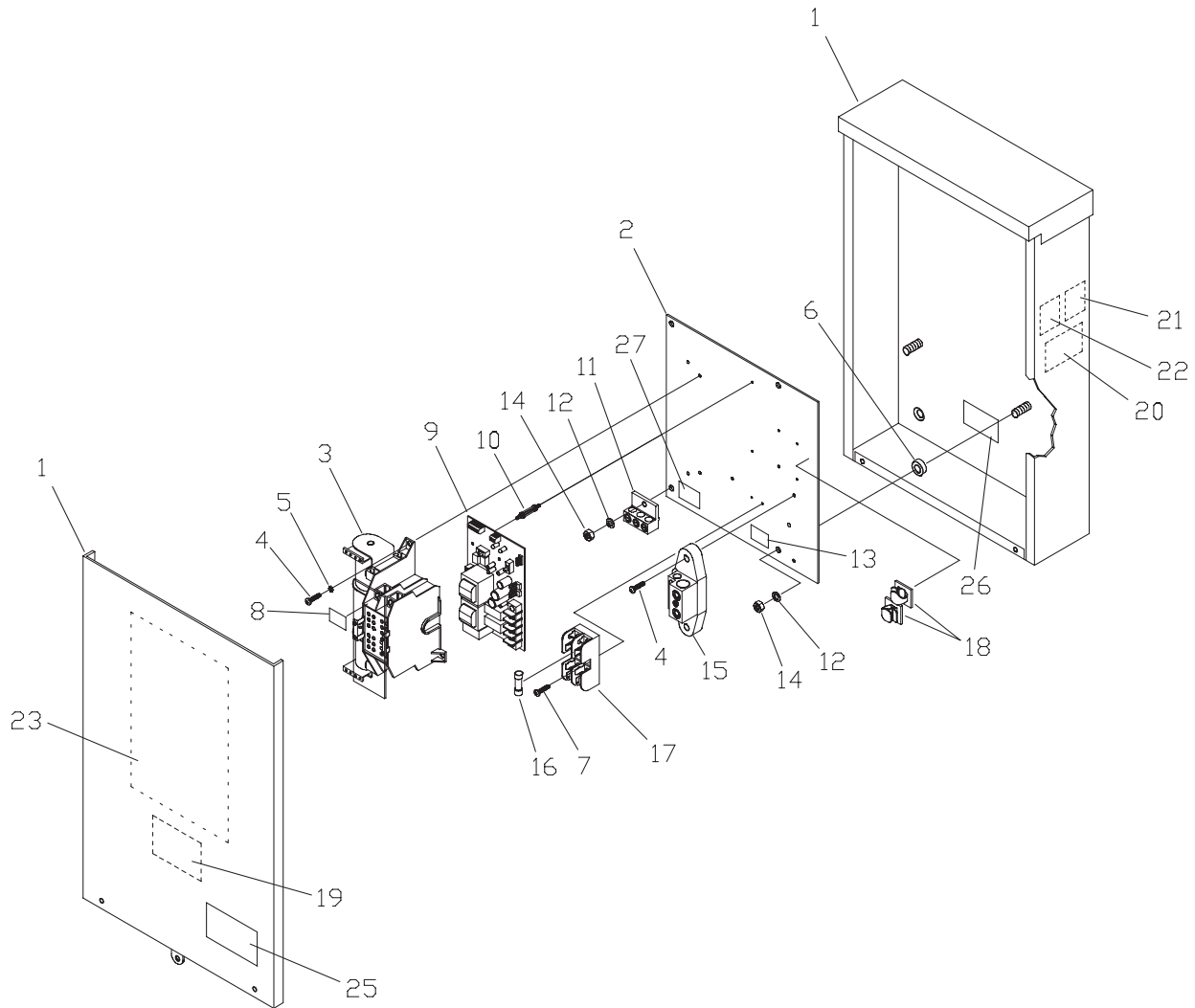
Illustrated Parts List

**Model
071039**

**100 Amp
Automatic Transfer Switch**

Manual No. 206620A Rev. - (03/26/2008)

Exploded View & Illustrated Parts List- Model 071039



Item	Part #	Description
1	NSP	ENCLOSURE, 16" x 12" x 6"
2	NSP	BACK PANEL
3	195667GS	TRANSFER SWITCH, 100A, with Cover & Handle
4	*	PPHMS, #10 - 32 x 1/2"
5	*	WASHER, Ext. Tooth, #10
6	192150GS	SPACER
7	*	PPHMS, #6-32 x 3/8"
8	193159GS	DECAL, Reinstall After
9	204009GS	CONTROL, Board
10	201685GS	SPACER
11	196094GS	GROUND LUG
12	*	WASHER, Lock 1/4"
13	206543GS	DECAL, Utility, 230 VAC
14	*	NUT, 1/4" - 20
15	192696GS	TERMINAL, Neutral
16	B4857GS	FUSE

Item	Part #	Description
17	192151GS	FUSE HOLDER
18	197355GS	CLIP, Latching Wire
19	192165GS	DECAL, APPVD CB
20	196355GS	DECAL, CT Warning
21	197294GS	DECAL, Contacts Rating
22	197198GS	DECAL, Wire Circuits
23	196522GS	DECAL, 100A, ATS
25	205395GS	DECAL, Warning Shock
26	190984GS	DECAL, Fuse
27	B4986GS	DECAL, Ground

Items Not Illustrated
195728GS CURRENT TRANSFORMER

* - Items without part numbers are common fasteners and are available at local hardware stores.

Copyright © 2008 Briggs & Stratton Power Products Group, LLC. All rights reserved. No part of this material may be reproduced or transmitted in any form by any means without the express written permission of Briggs & Stratton Power Products Group, LLC.

Free Manuals Download Website

<http://myh66.com>

<http://usermanuals.us>

<http://www.somanuals.com>

<http://www.4manuals.cc>

<http://www.manual-lib.com>

<http://www.404manual.com>

<http://www.luxmanual.com>

<http://aubethermostatmanual.com>

Golf course search by state

<http://golfingnear.com>

Email search by domain

<http://emailbydomain.com>

Auto manuals search

<http://auto.somanuals.com>

TV manuals search

<http://tv.somanuals.com>