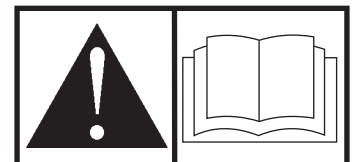




Portable Generator Operator's Manual



This generator is rated and certified to be compliant with CSA (Canadian Standards Association) standard C22.2 No. 100-04 (motors and generators).

BRIGGS & STRATTON POWER PRODUCTS GROUP, LLC
MILWAUKEE, WISCONSIN, U.S.A.



Manual No. 315364GS Revision -

Thank you for purchasing this quality-built Briggs & Stratton® generator. We are pleased that you've placed your confidence in the Briggs & Stratton brand. When operated and maintained according to the instructions in this manual, your Briggs & Stratton generator will provide many years of dependable service.

This manual contains safety information to make you aware of the hazards and risks associated with generator products and how to avoid them. This generator is designed and intended only for supplying electrical power for operating compatible electrical lighting, appliances, tools and motor loads, and is not intended for any other purpose. It is important that you read and understand these instructions thoroughly before attempting to start or operate this equipment. **Save these original instructions for future reference.**

This generator requires final assembly before use. Refer to the *Assembly* section of this manual for instructions on final assembly procedures. Follow the instructions completely.

Where to Find Us

You never have to look far to find Briggs & Stratton support and service for your generator. Consult your Yellow Pages. There are over 30,000 Briggs & Stratton authorized service dealers worldwide who provide quality service. You can also contact Briggs & Stratton Customer Service by phone at **(800) 743-4115**, or on the Internet at BRIGGSandSTRATTON.COM.

Generator

Model Number

--	--	--	--	--	--	--	--	--	--

Revision

--	--

Serial Number

--	--	--	--	--	--	--	--	--	--	--	--	--	--	--	--	--	--	--	--

Engine

Model Number

--	--	--	--	--	--	--	--	--	--

Type Number

--	--	--	--	--	--	--	--	--	--

Code Number

--	--	--	--	--	--	--	--	--	--	--	--	--	--	--	--	--	--	--	--

Date Purchased

--	--	--	--	--	--	--	--	--	--

Copyright © 2011. Briggs & Stratton Power Products Group, LLC
Milwaukee, WI, USA. All rights reserved.
BRIGGS & STRATTON POWER PRODUCTS is a registered
trademark of Briggs & Stratton Corporation
Milwaukee, WI, USA

Table of Contents

Operator Safety	4
Equipment Description	4
Important Safety Information	4
Assembly	7
Unpack Generator	7
Shipment Contents	7
Install Wheel Kit	7
Attach Negative Battery Cable	7
Add Engine Oil	8
Add Fuel	8
System Ground	9
Connecting to a Building's Electrical System	9
Generator Location	9
Features and Controls	10
Cord Sets and Receptacles	11
Battery Charger	11
Operation	12
Starting the Engine	12
Connecting Electrical Loads	13
Stopping the Engine	13
Oil Pressure Shutdown	13
Cold Weather Operation	14
Don't Overload Generator	15
Maintenance	16
Maintenance Schedule	16
Generator Maintenance	16
Battery Maintenance	16
Fuel Valve Maintenance	17
Engine Maintenance	17
Storage	20
Troubleshooting	21
Schematic - Model 030470 (7000 Watt)	22
Schematic - Model 030471 (8000 Watt)	23
Warranties	24
Emissions Control System Warranty	24
Generator Owner Warranty	26
Specifications	28
Product Specifications	28
Common Service Parts	28

Operator Safety

Equipment Description



Read this manual carefully and become familiar with your generator. Know its applications, its limitations and any hazards involved.

The generator is an engine-driven, revolving field, alternating current (AC) generator. It was designed to supply electrical power for operating compatible electrical lighting, appliances, tools and motor loads. The generator's revolving field is driven at about 3,600 rpm by a single-cylinder engine.

NOTICE Exceeding generators wattage/amperage capacity could damage generator and/or electrical devices connected to it.

- DO NOT exceed the generator's wattage/amperage capacity. See *Don't Overload Generator* in the *Operation* section.

Every effort has been made to ensure that the information in this manual is both accurate and current. However, the manufacturer reserves the right to change, alter or otherwise improve the generator and this documentation at any time without prior notice.

The Emission Control System for this generator is warranted for standards set by the Environmental Protection Agency and the California Air Resources Board.

Important Safety Information

The manufacturer cannot possibly anticipate every possible circumstance that might involve a hazard. The warnings in this manual, and the tags and decals affixed to the unit are, therefore, not all-inclusive. If you use a procedure, work method or operating technique that the manufacturer does not specifically recommend, you must satisfy yourself that it is safe for you and others. You must also make sure that the procedure, work method or operating technique that you choose does not render the generator unsafe.

Safety Symbols and Meanings



Toxic Fumes



Kickback



Electrical Shock



Fire



Explosion



Operator's Manual



Moving Parts



Flying Objects



Hot Surface

▲ The safety alert symbol indicates a potential personal injury hazard. A signal word (DANGER, WARNING, or CAUTION) is used with the alert symbol to designate a degree or level of hazard seriousness. A safety symbol may be used to represent the type of hazard. The signal word **NOTICE** is used to address practices not related to personal injury.

▲ **DANGER** indicates a hazard which, if not avoided, *will* result in death or serious injury.

▲ **WARNING** indicates a hazard which, if not avoided, *could* result in death or serious injury.

▲ **CAUTION** indicates a hazard which, if not avoided, *could* result in minor or moderate injury.

NOTICE address practices not related to personal injury.

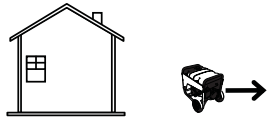
⚠ DANGER

Using a generator indoors CAN KILL YOU IN MINUTES.

Generator exhaust contains carbon monoxide. This is a poison you cannot see or smell.



NEVER use inside a home or garage, **EVEN IF** doors and windows are open.



Only use **OUTSIDE** and far away from windows, doors, and vents.

⚠ WARNING Running engine gives off carbon monoxide, an odorless, colorless, poison gas. Breathing carbon monoxide could result in death, serious injury, headache, fatigue, dizziness, vomiting, confusion, seizures, nausea or fainting.

- Operate this product **ONLY** outdoors.
- Install a battery operated carbon monoxide alarm near the bedrooms.
- Keep exhaust gas from entering a confined area through windows, doors, ventilation intakes, or other openings.
- **DO NOT** operate this product inside any building, carport, porch, mobile equipment, marine applications, or enclosure, even if windows and doors are open.

⚠ WARNING The engine exhaust from this product contains chemicals known to the State of California to cause cancer, birth defects, or other reproductive harm.

⚠ WARNING Certain components in this product and related accessories contain chemicals known to the State of California to cause cancer, birth defects or other reproductive harm. Wash hands after handling.

⚠ WARNING

- This generator does not meet U. S. Coast Guard Regulation 33CFR-183 and should not be used on marine applications.
- Failure to use the appropriate U. S. Coast Guard approved generator could result in death or serious injury and/or property damage.

⚠ WARNING Starter cord kickback (rapid retraction) will pull hand and arm toward engine faster than you can let go which could cause broken bones, fractures, bruises, or sprains resulting in serious injury.

- When starting engine, pull cord slowly until resistance is felt and then pull rapidly to avoid kickback.
- **NEVER** start or stop engine with electrical devices plugged in and turned on.

⚠ WARNING Fuel and its vapors are extremely flammable and explosive which could cause burns, fire or explosion resulting in death, serious injury and/or property damage.



WHEN ADDING OR DRAINING FUEL

- Turn generator engine **OFF** and let it cool at least 2 minutes before removing fuel cap. Loosen cap slowly to relieve pressure in tank.
- Fill or drain fuel tank outdoors.
- **DO NOT** overfill tank. Allow space for fuel expansion.
- If fuel spills, wait until it evaporates before starting engine.
- Keep fuel away from sparks, open flames, pilot lights, heat, and other ignition sources.
- Check fuel lines, tank, cap and fittings frequently for cracks or leaks. Replace if necessary.
- **DO NOT** light a cigarette or smoke.

WHEN STARTING EQUIPMENT

- Ensure spark plug, muffler, fuel cap, and air cleaner are in place.
- **DO NOT** crank engine with spark plug removed.

WHEN OPERATING EQUIPMENT

- **DO NOT** operate this product inside any building, carport, porch, mobile equipment, marine applications, or enclosure.
- **DO NOT** tip engine or equipment at angle which causes fuel to spill.
- **DO NOT** stop engine by moving choke control to "**Choke**" position (I\I).

WHEN TRANSPORTING, MOVING OR REPAIRING EQUIPMENT

- Transport/move/repair with fuel tank **EMPTY** or with fuel shutoff valve **OFF**.
- **DO NOT** tip engine or equipment at angle which causes fuel to spill.
- Disconnect spark plug wire.

WHEN STORING FUEL OR EQUIPMENT WITH FUEL IN TANK

- Store away from furnaces, stoves, water heaters, clothes dryers, or other appliances that have pilot light or other ignition source because they could ignite fuel vapors.

⚠ WARNING Generator voltage could cause electrical shock or burn resulting in death or serious injury.



- Use approved transfer equipment to prevent backfeed by isolating generator from electric utility workers.
- When using generator for backup power, notify utility company.
- Use a ground fault circuit interrupter (GFCI) in any damp or highly conductive area, such as metal decking or steel work.
- DO NOT touch bare wires or receptacles.
- DO NOT use generator with electrical cords which are worn, frayed, bare or otherwise damaged.
- DO NOT operate generator in the rain or wet weather.
- DO NOT handle generator or electrical cords while standing in water, while barefoot, or while hands or feet are wet.
- DO NOT allow unqualified persons or children to operate or service generator.

⚠ WARNING Exhaust heat/gases could ignite combustibles, structures or damage fuel tank causing a fire, resulting in death, serious injury and/or property damage.



Contact with muffler area could cause burns resulting in serious injury.

- DO NOT touch hot parts and AVOID hot exhaust gases.
 - Allow equipment to cool before touching.
 - Keep at least 5 feet (1.5 m) of clearance on all sides of generator including overhead.
 - It is a violation of California Public Resource Code, Section 4442, to use or operate the engine on any forest-covered, brush-covered, or grass-covered land unless the exhaust system is equipped with a spark arrester, as defined in Section 4442, maintained in effective working order. Other states or federal jurisdictions may have similar laws.
- Contact the original equipment manufacturer, retailer, or dealer to obtain a spark arrester designed for the exhaust system installed on this engine.
- Replacement parts must be the same and installed in the same position as the original parts.

⚠ WARNING Unintentional sparking could cause fire or electric shock resulting in death or serious injury.



WHEN ADJUSTING OR MAKING REPAIRS TO YOUR GENERATOR

- Disconnect the spark plug wire from the spark plug and place the wire where it cannot contact spark plug.

WHEN TESTING FOR ENGINE SPARK

- Use approved spark plug tester.
- DO NOT check for spark with spark plug removed.

⚠ WARNING Starter and other rotating parts could entangle hands, hair, clothing, or accessories resulting in serious injury.



- NEVER operate generator without protective housing or covers.
- DO NOT wear loose clothing, jewelry or anything that could be caught in the starter or other rotating parts.
- Tie up long hair and remove jewelry.

⚠ CAUTION Excessively high operating speeds could result in minor injury and/or generator damage. Excessively low speeds impose a heavy load.

- DO NOT tamper with governor spring, links or other parts to increase engine speed. Generator supplies correct rated frequency and voltage when running at governed speed.
- DO NOT modify generator in any way.

NOTICE Exceeding generators wattage/amperage capacity could damage generator and/or electrical devices connected to it.

- DO NOT exceed the generator's wattage/amperage capacity. See *Don't Overload Generator* in the *Operation* section.
- Start generator and let engine stabilize before connecting electrical loads.
- Connect electrical loads in OFF position, then turn ON for operation.
- Turn electrical loads OFF and disconnect from generator before stopping generator.

NOTICE Improper treatment of generator could damage it and shorten its life.

- Use generator only for intended uses.
- If you have questions about intended use, ask dealer or contact local service center.
- Operate generator only on level surfaces.
- DO NOT expose generator to excessive moisture, dust, dirt, or corrosive vapors.
- DO NOT insert any objects through cooling slots.
- If connected devices overheat, turn them off and disconnect them from generator.
- Shut off generator if:
 - electrical output is lost;
 - equipment sparks, smokes, or emits flames;
 - unit vibrates excessively.

Assembly

Your generator requires some assembly and is ready for use after it has been properly serviced with the recommended oil and fuel.

If you have any problems with the assembly of your generator, please call the generator helpline at **1-800-743-4115**. If calling for assistance, please have the model, revision, and serial number from the identification label available. See *Generator Controls and Features* for identification label location.

Unpack Generator

1. Set the carton on a rigid, flat surface.
2. Remove everything from carton except generator.
3. Open carton completely by cutting each corner from top to bottom.
4. Leave generator on carton to install wheel kit.

Shipment Contents

The generator is supplied with:

- Engine oil bottles (2)
- Operator's manual
- Battery float charger
- Wheel kit
- Keys (2)

Install Wheel Kit

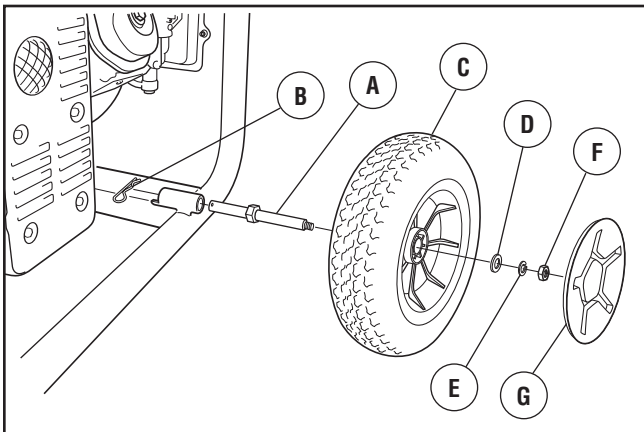
NOTICE Wheel kit is not intended for over-the-road use.

You will need the following tools to install these components:

- 13 mm and 19 mm wrench
- Socket wrench with 10 mm and 16 mm sockets

Install the wheel kit as follows:

1. Tip generator so that engine side is down.
2. Slide axle stud (A) through mounting bracket with threaded end facing out.



3. Insert retaining pin (B) through hole on axle stud.

4. Slide a wheel (C) over axle stud.

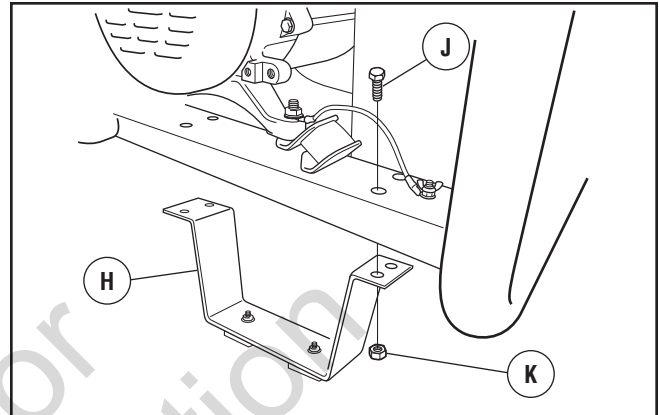
NOTICE Be sure to install wheel with raised hub inboard.

5. Attach wheel to axle stud with a washer (D), lock washer (E) and nut (F). Tighten with a 16 mm socket wrench and 19 mm wrench.

6. Place hub cap (G) into center of wheel and push until it snaps into place.

7. Repeat steps 2 through 6 to secure second wheel.

8. Line up holes in support leg (H) with holes in generator frame.



9. Attach support leg using 4 capscrews (J) and 4 hex nuts (K). Tighten with a 10 mm socket wrench and 13 mm wrench.

10. Return generator to normal operating position (resting on wheels).

Attach Negative Battery Cable

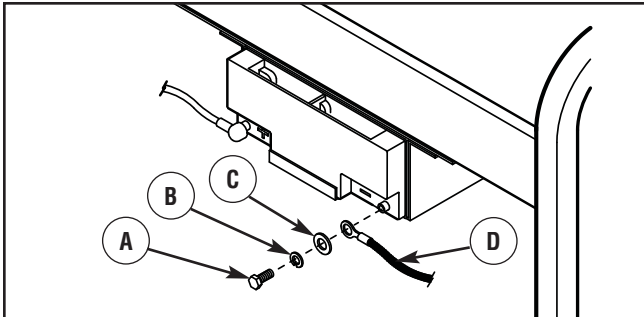
Your unit is equipped with electric start capability but can be started manually. If you choose not to use the electric start feature, you do not need to connect the negative battery cable.

The sealed battery on the generator pre-installed except for the negative (black) battery cable.

▲ WARNING Battery posts, terminals and related accessories contain lead and lead compounds - chemicals known to the State of California to cause cancer and reproductive harm. Wash hands after handling.

To install:

1. Cut off tie wrap securing loose end of negative (black) cable.
2. Using an 8 mm or 5/16" socket wrench, remove screw (A), lock washer (B) and flat washer (C) on negative battery terminal.



3. Slide lock washer, flat washer and negative battery cable (D) over screw as shown.
4. Reattach screw to negative battery terminal and tighten.
5. Verify that connections to battery and generator are tight and secure.

NOTICE If your battery is discharged, charge prior to use following the instructions in the section *Battery Charger*.

Add Engine Oil

1. Place generator on a flat, level surface.
2. Clean area around oil fill and remove yellow oil fill cap/dipstick.
3. Using oil funnel (optional), slowly pour contents of both provided oil bottles into oil fill opening to the "Full" mark on dipstick.

NOTICE Improper treatment of generator could damage it and shorten its life.

- DO NOT attempt to crank or start the engine before it has been properly serviced with the recommended oil. This could result in an engine failure.
4. Replace oil fill cap/dipstick and fully tighten.

Add Fuel

Fuel must meet these requirements:

- Clean, fresh, unleaded gasoline.
- A minimum of 87 octane/87 AKI (91 RON). For high altitude use, see *High Altitude*.
- Gasoline with up to 10% ethanol (gasohol) or up to 15% MTBE (methyl tertiary butyl ether) is acceptable.

NOTICE Avoid generator damage.

Failure to follow Operator's Manual for fuel recommendations voids warranty.

- DO NOT use unapproved gasoline such as E85.
- DO NOT mix oil in gasoline.
- DO NOT modify engine to run on alternate fuels.

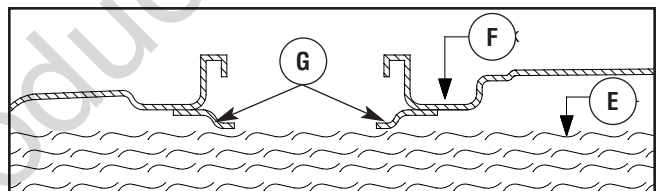
To protect the fuel system from gum formation, mix in a fuel stabilizer when adding fuel. See *Storage*. All fuel is not the same. If you experience starting or performance problems after using fuel, switch to a different fuel provider or change brands. This engine is certified to operate on gasoline. The emission control system for this engine is EM (Engine Modifications).

▲ WARNING Fuel and its vapors are extremely flammable and explosive which could cause burns, fire or explosion resulting in death, serious injury and/or property damage.

WHEN ADDING FUEL

- Turn generator engine OFF and let it cool at least 2 minutes before removing fuel cap. Loosen cap slowly to relieve pressure in tank.
- Fill fuel tank outdoors.
- DO NOT overfill tank. Allow space for fuel expansion.
- If fuel spills, wait until it evaporates before starting engine.
- Keep fuel away from sparks, open flames, pilot lights, heat, and other ignition sources.
- Check fuel lines, tank, cap and fittings frequently for cracks or leaks. Replace if necessary.
- DO NOT light a cigarette or smoke.

1. Clean area around fuel fill cap, remove cap.
2. Slowly add unleaded gasoline (E) to fuel tank (F). Be careful not to fill above the baffle (G). This allows adequate space for fuel expansion as shown.



3. Install fuel cap and let any spilled fuel evaporate before starting engine.

High Altitude

At altitudes over 5,000 feet (1524 meters), a minimum 85 octane / 85 AKI (89 RON) gasoline is acceptable. To remain emissions compliant, high altitude adjustment is required. Operation without this adjustment will cause decreased performance, increased fuel consumption, and increased emissions. See an authorized dealer for high altitude adjustment information. Operation of the engine at altitudes below 2,500 feet (762 meters) with the high altitude kit is not recommended.

System Ground

The generator has a system ground that connects the generator frame components to the ground terminals on the AC output receptacles. The system ground is connected to the AC neutral wire (the neutral is bonded to the generator frame).

Special Requirements

There may be Federal or State Occupational Safety and Health Administration (OSHA) regulations, local codes, or ordinances that apply to the intended use of the generator. Please consult a qualified electrician, electrical inspector, or the local agency having jurisdiction:

- In some areas, generators are required to be registered with local utility companies.
- If the generator is used at a construction site, there may be additional regulations which must be observed.

Connecting to a Building's Electrical System

Connections for standby power to a building's electrical system must be made by a qualified electrician. The connection must isolate the generator power from utility power or other alternative power sources and must comply with all applicable laws and electrical codes.

⚠ WARNING Generator voltage could cause electrical shock or burn resulting in death or serious injury.

- Use approved transfer equipment to prevent backfeed by isolating generator from electric utility workers.
- When using generator for backup power, notify utility company.
- Use a ground fault circuit interrupter (GFCI) in any damp or highly conductive area, such as metal decking or steel work.
- DO NOT touch bare wires or receptacles.
- DO NOT use generator with electrical cords which are worn, frayed, bare or otherwise damaged.
- DO NOT operate generator in the rain or wet weather.
- DO NOT handle generator or electrical cords while standing in water, while barefoot, or while hands or feet are wet.
- DO NOT allow unqualified persons or children to operate or service generator.

Generator Location

Clearances and Air Movement

⚠ WARNING Exhaust heat/gases could ignite combustibles, structures or damage fuel tank causing a fire, resulting in death, serious injury and/or property damage.

- Keep at least 5 ft. (1.5 m) clearance on all sides of generator including overhead.

Place generator outdoors in an area that will not accumulate deadly exhaust gas. DO NOT place generator where exhaust gas (A) could accumulate and enter inside or be drawn into a potentially occupied building. Ensure exhaust gas is kept away from any windows, doors, ventilation intakes, or other openings that can allow exhaust gas to collect in a confined area. Prevailing winds and air currents should be taken into consideration when positioning generator.

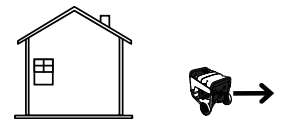
⚠ DANGER

Using a generator indoors CAN KILL YOU IN MINUTES.

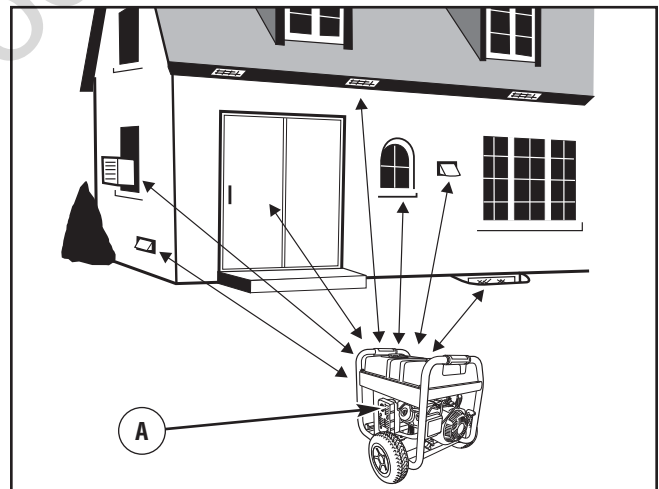
Generator exhaust contains carbon monoxide. This is a poison you cannot see or smell.



NEVER use inside a home or garage, EVEN IF doors and windows are open.



Only use OUTSIDE and far away from windows, doors, and vents.

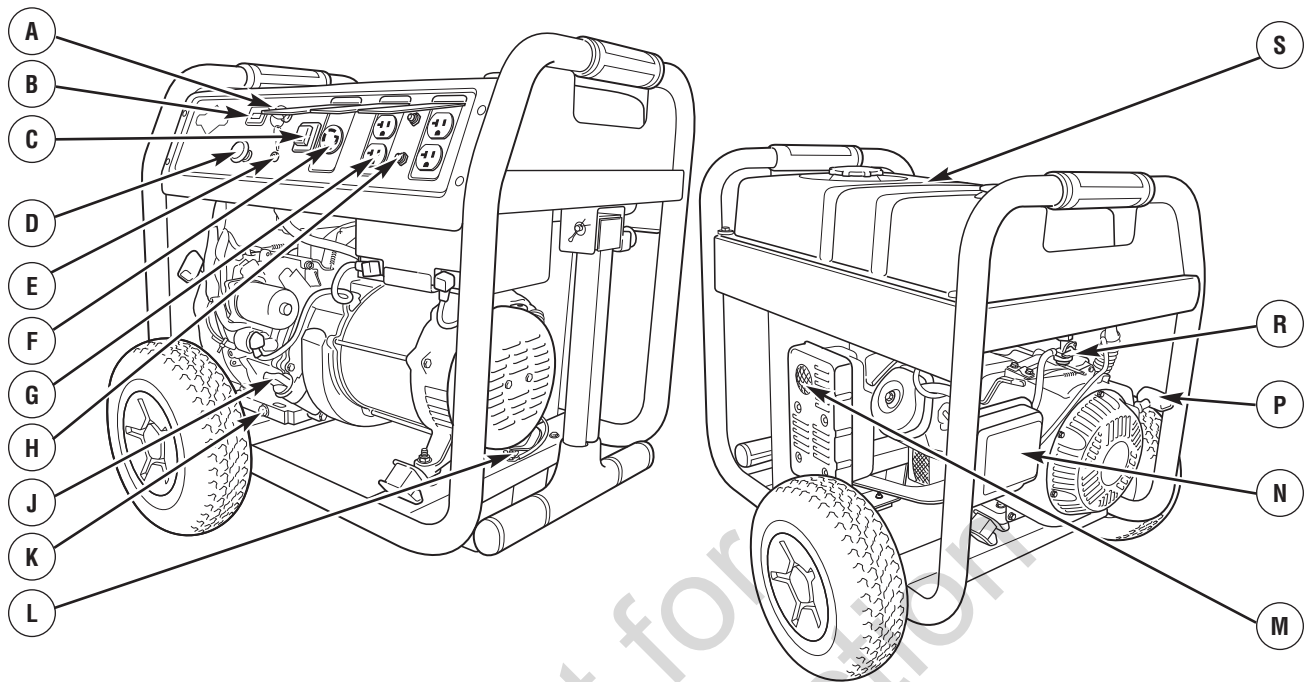


Features and Controls



Read this Operator's Manual and safety rules before operating your generator.

Compare the illustrations with your generator, to familiarize yourself with the locations of various controls and adjustments. Save this manual for future reference.



A - Start Switch — Turn key to start (⏻) position to start the engine. Turn key to off (0) position to switch off engine.

B - Hour Meter — Displays and records how many hours your generator has run (up to 9,999.9).

C - Rocker Switch Circuit Breaker — The 120/240 Volt AC, 30A locking receptacle is provided with a 2 pole rocker switch circuit breaker to protect the generator against electrical overload.

D - Choke Control — Used when starting a cold engine.

E - Battery Float Charger Jack — Use battery float charger jack to keep the starting battery charged and ready for use.

F - 120/240 Volt AC, 30 Amp Locking Receptacle — May be used to supply electrical power for the operation of 120 and/or 240 Volt AC, 30 Amp, single phase, 60 Hz electrical, lighting, appliance, tool and motor loads.

G - 120 Volt AC, 20 Amp, Duplex Receptacle — May be used to supply electrical power for the operation of 120 Volt AC, 20 Amp, single phase, 60 Hz electrical, lighting, appliance, tool and motor loads.

H - Circuit Breakers (AC) — The 120 Volt AC, 20A duplex receptacles are provided with "push to reset" circuit breakers to protect the generator against electrical overload.

J - Oil Fill Cap/Dipstick — Check and add engine oil here.

K - Oil Drain Plug — Drain engine oil here.

L - Grounding Fastener — Consult your local agency having jurisdiction for grounding requirements in your area.

M - Spark Arrester Muffler — Exhaust muffler lowers engine noise and is equipped with a spark arrester screen.

N - Air Cleaner — Protects engine by filtering dust and debris out of intake air.

P - Recoil Starter — Used to start the engine manually.

R - Fuel Valve — Used to turn fuel supply on and off to engine.

S - Fuel Tank — Capacity of seven (7) U.S. gallons (26.5 l).

Items Not Shown:

Engine Identification — Provides model, type and code of engine. Please have these readily available if calling for assistance.

Identification Label — Provides model and serial number of generator. Please have these readily available if calling for assistance.

Cord Sets and Receptacles

Use only high quality, well-insulated, grounded extension cords with the generator's receptacles. Inspect extension cords before each use.

Check the ratings of all extension cords before you use them. Extension cord sets used should be rated for 125 Volts AC loads 20 Amps or greater. Check operator's manuals of devices to be powered for the manufacturer's recommendations.

Keep extension cords as short as possible to minimize voltage drop.

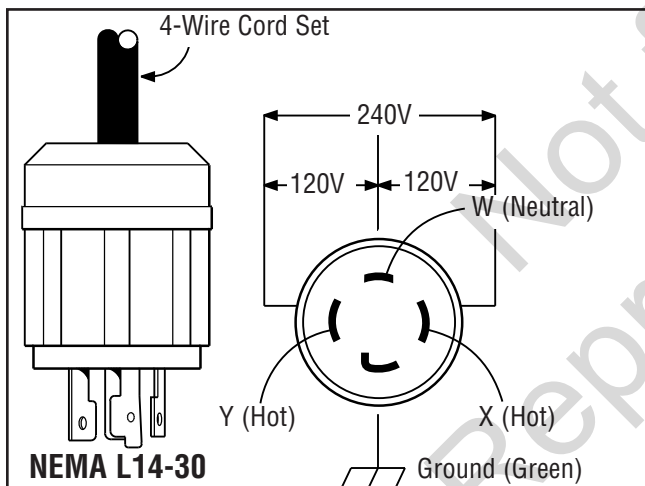
▲ WARNING Damaged or overloaded electrical cords could overheat, arc, and burn resulting in death, serious injury, and/or property damage.



- ONLY use cords rated for your loads.
- Follow all safeties on electrical cords.
- Inspect cord sets before each use.

120/240 Volt AC, 30 Amp, Locking Receptacle

Use a NEMA L14-30 plug with this receptacle. Connect a 4-wire cord set rated for 250 Volt AC loads at 30 Amps (or greater). You can use the same 4-wire cord if you plan to run a 120 Volt load.



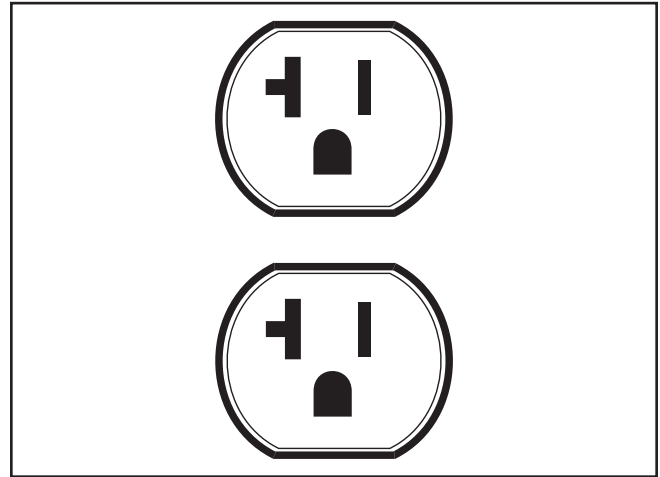
This receptacle powers 120/240 Volt AC, 60 Hz, single phase loads requiring up to 7,200 watts of power (7.2 kW) at 30 Amps for 240 Volts or two independent 120 Volt loads at 30 Amps each. The outlet is protected by a 2 pole rocker switch circuit breaker.

NOTICE Receptacles may be marked with rating value greater than generator output capacity.

- NEVER attempt to power a device requiring more amperage than generator or receptacle can supply.
- DO NOT overload the generator. See *Don't Overload Generator*.

120 Volt AC, 20 Amp, Duplex Receptacles

The duplex receptacle is protected against overload by push-to-reset circuit breakers.

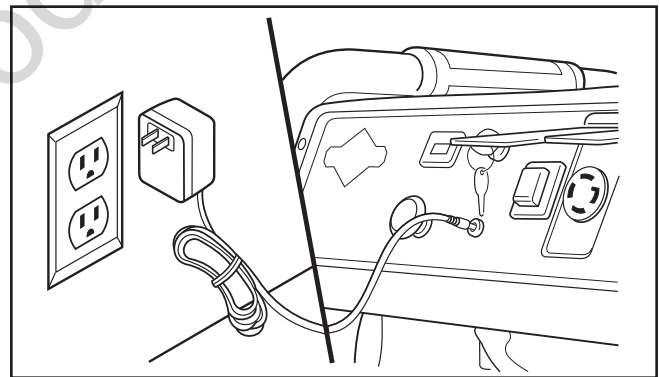


Use each receptacle to operate 120 Volt AC, single-phase, 60 Hz electrical loads requiring up to 2,400 watts (2.4 kW) at 20 Amps of current. Use cord sets that are rated for 125 Volt AC loads at 20 Amps (or greater).

Battery Charger

Use battery float charger jack to keep the starting battery charged and ready for use. Battery charging should be done in a dry location, such as inside a garage.

1. Plug charger into unit's "Battery Float Charger" jack, which is located next to the start switch. Plug battery charger into a 120 Volt AC wall receptacle.



2. Unplug charger from unit and wall outlet when generator is being started and while it is in operation.
3. Keep this charger plugged in when generator is not in use to prolong battery life. The charger has a built in float equalizer and will not overcharge the battery, even when plugged in for an extended period of time.

NOTICE See *Battery Maintenance* for additional information.

Operation

Starting the Engine

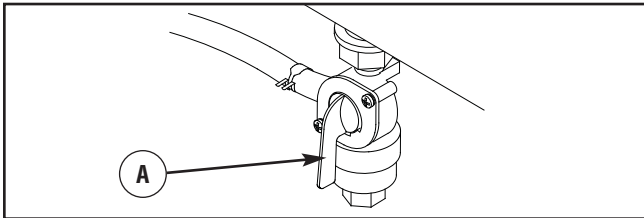
NOTICE Always unplug the battery float charger before starting the generator.

Disconnect all electrical loads from the generator. Use the following start instructions:

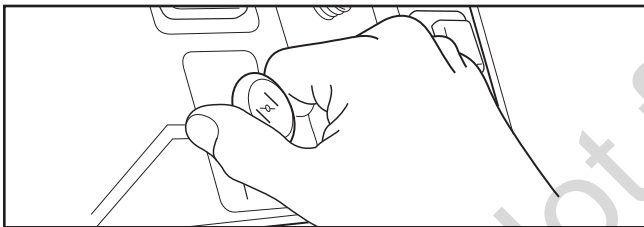
1. Make sure unit is on a level surface.

NOTICE Failure to start and operate the unit on a level surface will cause the unit not to start or shut down during operation.

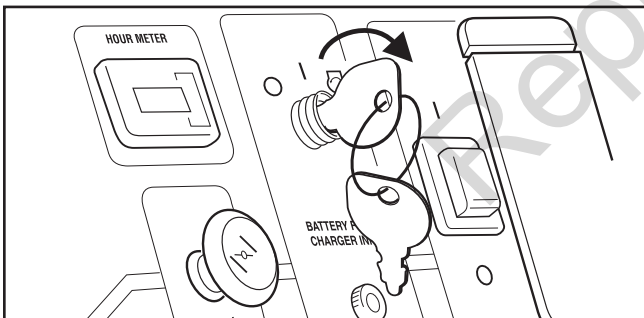
2. Turn the fuel valve (A) to the "On" position.



3. Pull choke control out to close choke (| \ |).



- 4A. **For electric starting**, turn and hold key in start switch to start (⌚) position until generator starts. To prolong the life of starter components, **DO NOT** hold key in start (⌚) position for more than 15 seconds, and pause for at least 1 minute between starting attempts.



- If engine starts, proceed to step 6.
- If engine fails to start, proceed to step 5.

NOTICE If battery is discharged, use manual starting instructions.

- 4B. **For manual starting**, turn key in start switch to run (I) position, grasp recoil handle and pull slowly until slight resistance is felt. Then pull rapidly one time only to start engine.

- If engine starts, proceed to step 6.
- If engine fails to start, proceed to step 5.

▲ WARNING Starter cord kickback (rapid retraction) will pull hand and arm toward engine faster than you can let go which could cause broken bones, fractures, bruises, or sprains resulting in serious injury.

- When starting engine, pull cord slowly until resistance is felt and then pull rapidly to avoid kickback.
- NEVER start or stop engine with electrical devices plugged in and turned on.

5. Push in the choke handle half way, turn key in start switch to run (I) position and pull recoil handle twice or turn and hold key in start switch to start (⌚) position as described in step 4A.

- If engine fails to start, repeat steps 3 thru 4.

6. Open the choke gradually as the engine warms up by pushing in on the choke handle.

NOTICE If engine floods, push choke handle all the way in and crank until engine starts.

NOTICE If engine starts after 3 pulls but fails to run, or if unit shuts down during operation, make sure unit is on a level surface and check for proper oil level in crankcase. This unit may be equipped with a low oil protection device. If so, oil must be at proper level for engine to start.

▲ WARNING Exhaust heat/gases could ignite combustibles, structures or damage fuel tank causing a fire, resulting in death, serious injury and/or property damage.

Contact with muffler area could cause burns resulting in serious injury.

- DO NOT touch hot parts and AVOID hot exhaust gases.
- Allow equipment to cool before touching.
- Keep at least 5 feet (1.5 m) of clearance on all sides of generator including overhead.
- It is a violation of California Public Resource Code, Section 4442, to use or operate the engine on any forest-covered, brush-covered, or grass-covered land unless the exhaust system is equipped with a spark arrester, as defined in Section 4442, maintained in effective working order. Other states or federal jurisdictions may have similar laws.

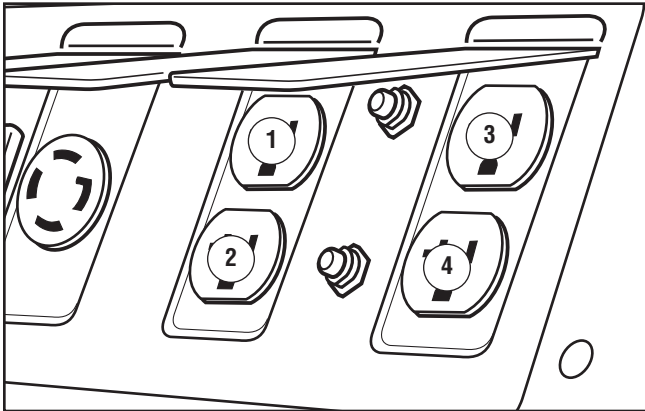
Contact the original equipment manufacturer, retailer, or dealer to obtain a spark arrester designed for the exhaust system installed on this engine.

- Replacement parts must be the same and installed in the same position as the original parts.

Connecting Electrical Loads

1. Let engine stabilize and warm up for a few minutes after starting.
2. Ensure circuit breaker on control panel is in on (I) position.
3. Plug in and turn on the desired 120 and/or 240 Volt AC, single phase, 60 Hz electrical loads.

NOTICE When plugging into the 120 Volt receptacles, plug items to be powered in sequence as shown below.



NOTICE

- DO NOT connect 240 Volt loads to the 120 Volt duplex receptacles.
- DO NOT connect 3-phase loads to the generator.
- DO NOT connect 50 Hz loads to the generator.
- DO NOT OVERLOAD THE GENERATOR. See *Don't Overload Generator*.

NOTICE Exceeding generators wattage/amperage capacity could damage generator and/or electrical devices connected to it.

- DO NOT exceed the generator's wattage/amperage capacity. See *Don't Overload Generator* in the *Operation* section.
- Start generator and let engine stabilize before connecting electrical loads.
- Connect electrical loads in OFF position, then turn ON for operation.
- Turn electrical loads OFF and disconnect from generator before stopping generator.

Stopping the Engine

1. Turn OFF and unplug **all** electrical loads from generator panel receptacles. NEVER start or stop engine with electrical devices plugged in and turned ON.
2. Let engine run at no-load for several minutes to stabilize internal temperatures of engine and generator.
3. Turn key in start switch to off (O) position.

▲ WARNING Fuel and its vapors are extremely flammable and explosive which could cause burns, fire or explosion resulting in death, serious injury and/or property damage.

- DO NOT stop engine by moving choke control to choke (I\I) position.

4. Move fuel valve to "Off" position.

Low Oil Shutdown

If the engine oil drops below a preset level, an oil switch will stop the engine. Check oil level with dipstick.

If oil level is between ADD and FULL mark on dipstick:

1. DO NOT try to restart the engine.
2. Contact an Authorized Briggs & Stratton Service Dealer.
3. DO NOT operate engine until oil level is corrected.

If oil level is below ADD mark on dipstick:

1. Add oil to bring level to FULL mark.
2. Restart engine and if the engine stops again a low oil condition may still exist. DO NOT try to restart the engine.
3. Contact an Authorized Briggs & Stratton Service Dealer.
4. DO NOT operate engine until oil level is corrected.

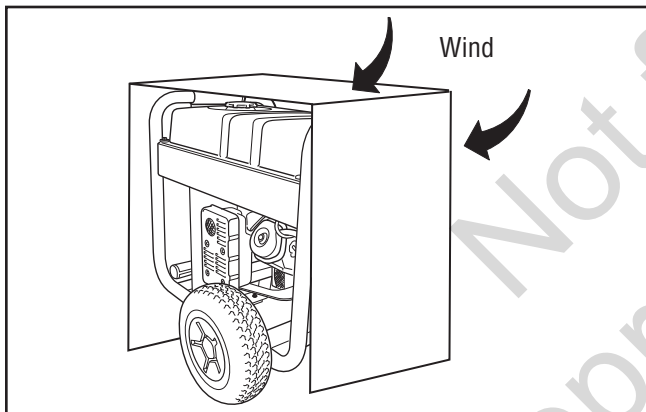
Cold Weather Operation

Under certain weather conditions (temperatures below 40°F [4°C] combined with high humidity), your generator may experience icing of the carburetor and/or the crankcase breather system. To reduce this problem, you need to perform the following:

1. Make sure generator has clean, fresh fuel.
2. Open fuel valve (turn valve to open position).
3. Use SAE 5W-30 oil.
4. Check oil level daily or after every eight (8) hours of operation.
5. Maintain generator following *Maintenance Schedule* in *Maintenance* section.
6. Shelter unit from elements.

Creating a Temporary Cold Weather Shelter

1. For temporary shelter, the original shipping carton can be used.
2. Cut off top carton flaps and one long side of carton to expose muffler side of unit. If required, tape up other sides of carton to fit over generator as shown.



NOTICE If required, remove wheel kit to fit carton over generator as shown.

3. Cut appropriate slots to access receptacles of unit.
4. Face exposed end away from wind and elements.
5. Locate generator as described in the section *Generator Location*. Keep exhaust gas from entering a confined area through windows, doors, ventilation intakes or other openings.

▲ WARNING Running engine gives off carbon monoxide, an odorless, colorless, poison gas. Breathing carbon monoxide could result in death, serious injury, headache, fatigue, dizziness, vomiting, confusion, seizures, nausea or fainting.

- Operate this product ONLY outdoors.
- Install a battery operated carbon monoxide alarm near the bedrooms.
- Keep exhaust gas from entering a confined area through windows, doors, ventilation intakes, or other openings.
- DO NOT operate this product inside any building, porch, mobile equipment, marine applications, or enclosure, even if windows and doors are open.

6. Start generator as described in the section *Starting the Engine*, then place carton over generator. Keep at least 5 ft. (1.5 m) clearance on all sides of generator including overhead with shelter in place.

▲ WARNING Exhaust heat/gases could ignite combustibles, structures or damage fuel tank causing a fire, resulting in death, serious injury and/or property damage.

Contact with muffler area could cause burns resulting in serious injury.

- DO NOT touch hot parts and AVOID hot exhaust gases.
- Allow equipment to cool before touching.
- Keep at least 5 feet (1.5 m) of clearance on all sides of generator including overhead.
- Remove shelter when temperatures are above 40°F [4°C].

7. Remove shelter when temperatures are above 40°F [4°C].
8. Turn engine OFF and let cool two (2) minutes before refueling. Let any spilled fuel evaporate before starting engine.

Building a Cold Weather Shelter

1. Using non combustible material with a fire rating of at least one hour, build a shelter that will enclose three sides and the top of the generator. Make sure muffler side of generator is exposed.

NOTICE Contact your local building material supplier for non combustible materials with a fire rating of at least one hour.

NOTICE Be sure shelter can easily be repositioned for change in wind direction.

2. DO NOT enclose generator any more than shown. Shelter should hold enough heat created by the generator to prevent icing problem.

NOTICE If a wheel kit is installed on the generator, enlarge shelter accordingly.

3. Follow steps 3 through 8 as described previously in *Creating a Temporary Cold Weather Shelter*.

Don't Overload Generator

Capacity

You must make sure your generator can supply enough rated (running) and surge (starting) watts for the items you will power at the same time. Follow these simple steps:

1. Select the items you will power at the same time.
2. Total the rated (running) watts of these items. This is the amount of power your generator must produce to keep your items running. See the table on the right.
3. Estimate how many surge (starting) watts you will need. Surge wattage is the short burst of power needed to start electric motor-driven tools or appliances such as a circular saw or refrigerator. Because not all motors start at the same time, total surge watts can be estimated by adding only the item(s) with the highest additional surge watts to the total rated watts from step 2.

Example:

Tool or Appliance	Running (Rated) Watts	Additional Starting (Surge) Watts
Water Well Pump	1200	2100
Refrigerator	700	2200
Furnace Fan	800	2350
Television	500	—
Light (75 Watts)	75	—
	3275 Total Running Watts	2350 Highest Starting Watts

Total Rated (Running) Watts = 3275
 Highest Additional Surge Watts = 2350
 Total Generator Output Required = 5625

Power Management

To prolong the life of your generator and attached devices, it is important to take care when adding electrical loads to your generator. There should be nothing connected to the generator outlets before starting its engine. The correct and safe way to manage generator power is to sequentially add loads as follows:

1. With nothing connected to the generator, start the engine as described in this manual.
2. Plug in and turn on the first load, preferably the largest load you have.
3. Permit the generator output to stabilize (engine runs smoothly and attached device operates properly).
4. Plug in and turn on the next load.
5. Again, permit the generator to stabilize.
6. Repeat steps 4 and 5 for each additional load.

Wattage Reference Guide

Tool or Appliance	Running* (Rated) Watts	Additional Starting (Surge) Watts
Essentials		
Light Bulb - 75 watt	75	—
Furnace Fan Blower - 1/2 HP	800	2350
Sump Pump - 1/3 HP	800	1300
Refrigerator/Freezer	700	2200
Water Well Pump - 1/2 HP	1000	2100
Heating/Cooling		
Window AC - 10,000 BTU	1200	3600
Humidifier - 13 Gal	175	—
Central AC - 24,000 BTU	3800	11400
Kitchen		
Microwave Oven - 1000 Watt	1000	—
Coffee Maker	1000	—
Electric Stove - 8" Element	2100	—
Toaster	850	—
Family Room		
DVD/CD Player	100	—
VCR	100	—
Stereo Receiver	450	—
Color Television - 27 in	500	—
Personal Computer w/17 in monitor	800	—
Other		
Security System	500	—
AM/FM Clock Radio	100	—
Garage Door Opener - 1/2 HP	875	2350
Electric Water Heater	4700	11700
DIY/Job Site		
Quartz Halogen Work Light	1000	—
Airless Sprayer - 1/3 HP	600	1200
Reciprocating Saw	960	—
Electric Drill - 1/2 HP, 5.4 Amps	600	900
Circular Saw - 7-1/4 in	1400	2300
Miter Saw - 10 in	1800	1800
Table Planer - 6 in	1800	1800
Table Saw/Radial Arm Saw - 10 in	2000	2000
Air Compressor - 1 HP	1600	4500

NEVER add more loads than the generator capacity. Take special care to consider surge loads in generator capacity, as described above.

* Wattages listed are approximate only. Check tool or appliance for actual wattage.

Maintenance

Maintenance Schedule

Follow the hourly or calendar intervals, whichever occurs first. More frequent service is required when operating in adverse conditions noted below.

First 5 Hours
<ul style="list-style-type: none">• Change engine oil
Every 8 Hours or Daily
<ul style="list-style-type: none">• Clean debris• Check engine oil level
Every 25 Hours or Yearly
<ul style="list-style-type: none">• Clean engine air filter¹
Every 50 Hours or Yearly
<ul style="list-style-type: none">• Change engine oil¹
Yearly
<ul style="list-style-type: none">• Replace engine air filter¹• Service fuel valve• Service spark plug• Inspect muffler and spark arrester• Clean cooling system¹

¹ Service more often under dirty or dusty conditions.

General Recommendations

Regular maintenance will improve the performance and extend the life of the generator. See any authorized dealer for service.

The generator's warranty does not cover items that have been subjected to operator abuse or negligence. To receive full value from the warranty, the operator must maintain the generator as instructed in this manual.

Some adjustments will need to be made periodically to properly maintain your generator.

All service and adjustments should be made at least once each season. Follow the requirements in the Maintenance Schedule chart above.

NOTICE Once a year you should clean or replace the spark plug and replace the air filter. New spark plugs and clean air filter assure proper fuel-air mixture and help your engine run better and last longer.

Emissions Control

Maintenance, replacement, or repair of the emissions control devices and systems may be performed by any non-road engine repair establishment or individual.

However, to obtain "no charge" emissions control service, the work must be performed by a factory authorized dealer. See the *Emissions Warranty*.

Generator Maintenance

Generator maintenance consists of keeping the unit clean and dry. Operate and store the unit in a clean dry environment where it will not be exposed to excessive dust, dirt, moisture, or any corrosive vapors. Cooling air slots in the generator must not become clogged with snow, leaves, or any other foreign material.

NOTICE DO NOT use water or other liquids to clean generator. Liquids can enter engine fuel system, causing poor performance and/or failure to occur. In addition, if liquid enters generator through cooling air slots, some of the liquid will be retained in voids and cracks of the rotor and stator winding insulation. Liquid and dirt buildup on the generator internal windings will eventually decrease the insulation resistance of these windings.

Cleaning

Daily or before use, look around and underneath the generator for signs of oil or fuel leaks. Clean accumulated debris from inside and outside the generator. Keep the linkage, spring and other engine controls clean. Keep the area around and behind the muffler free from any combustible debris. Inspect cooling air slots and openings on generator. These openings must be kept clean and unobstructed.

Engine parts should be kept clean to reduce the risk of overheating and ignition of accumulated debris:

- Use a damp cloth to wipe exterior surfaces clean.

NOTICE Improper treatment of generator could damage it and shorten its life.

- DO NOT expose generator to excessive moisture, dust, dirt, or corrosive vapors.
- DO NOT insert any objects through cooling slots.
 - Use a soft bristle brush to loosen caked on dirt or oil.
 - Use a vacuum cleaner to pick up loose dirt and debris.

Battery Maintenance

Other than float charging, described elsewhere, no maintenance is required for the starting battery. Keep the battery and terminals clean and dry.

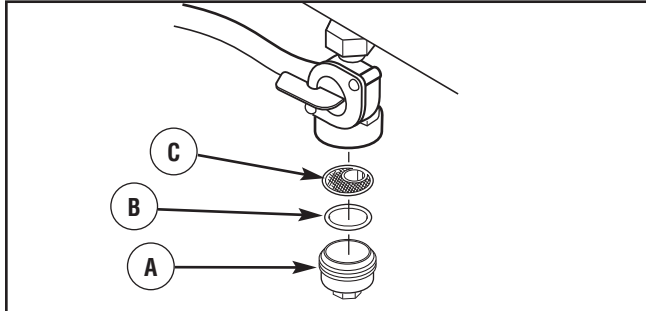
NOTICE Battery charging should be performed in a dry location, such as inside a garage.

▲ WARNING Battery posts, terminals and related accessories contain lead and lead compounds - chemicals known to the State of California to cause cancer and reproductive harm. Wash hands after handling.

Fuel Valve Maintenance

The fuel valve is equipped with a fuel sediment cup, screen, and o-ring that need to be cleaned.

1. Move fuel valve to "Off" position.
2. Remove sediment cup (A) from fuel valve. Remove o-ring (B) and screen (C) from fuel valve.



3. Wash sediment cup, o-ring, and screen in a nonflammable solvent. Dry them thoroughly.
4. Place screen and o-ring into fuel valve. Install sediment cup and tighten securely.
5. Move fuel valve to "On" position, and check for leaks. Replace fuel valve if there is any leakage.

Engine Maintenance

▲ WARNING Unintentional sparking could cause fire or electric shock resulting in death or serious injury.



WHEN ADJUSTING OR MAKING REPAIRS TO YOUR GENERATOR

- Disconnect the spark plug wire from the spark plug and place the wire where it cannot contact spark plug.

WHEN TESTING FOR ENGINE SPARK

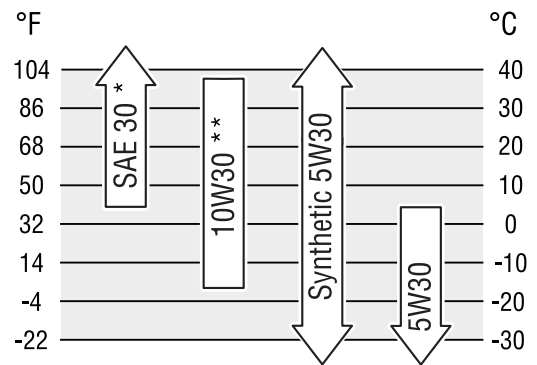
- Use approved spark plug tester.
- DO NOT check for spark with spark plug removed.

Oil

Oil Recommendations

We recommend the use of Briggs & Stratton Warranty Certified oils for best performance. Other high-quality detergent oils are acceptable if classified for service SF, SG, SH, SJ or higher. DO NOT use special additives.

Outdoor temperatures determine the proper oil viscosity for the engine. Use the chart to select the best viscosity for the outdoor temperature range expected.



* Below 40°F (4°C) the use of SAE 30 will result in hard starting.

** Above 80°F (27°C) the use of 10W30 may cause increased oil consumption. Check oil level more frequently.



NOTICE Synthetic oil meeting ILSAC GF-2, API certification mark and API service symbol with "SJ/CF ENERGY CONSERVING" or higher, is an acceptable oil at all temperatures. Use of synthetic oil does not alter required oil change intervals.

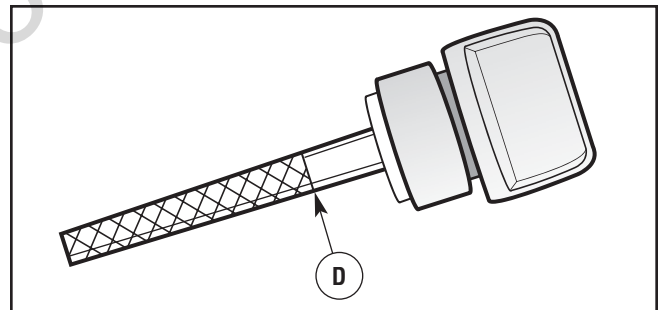
Checking Oil Level

Oil level should be checked prior to each use or at least every 8 hours of operation. Keep oil level maintained.

1. Make sure generator is on a level surface.
2. Clean area around oil fill, remove oil cap/dipstick and wipe dipstick with clean cloth. Replace dipstick. Remove and check oil level.

NOTICE DO NOT screw in dipstick when checking oil level.

3. Verify oil is at "Full" mark (D) on dipstick. Replace and tighten oil cap/dipstick.



Adding Engine Oil

1. Make sure generator is on a level surface.
2. Check oil level as described in *Checking Oil Level*.
3. If needed, slowly pour oil into oil fill opening to the "Full" mark on dipstick. DO NOT overfill.

NOTICE Overfilling with oil could cause the engine to not start, or hard starting.

- DO NOT overfill.
- If over the FULL mark on dipstick, drain oil to reduce oil level to FULL mark on dipstick.

4. Replace and tighten oil cap/dipstick.

Changing Engine Oil

If you are using your generator under extremely dirty or dusty conditions, or in extremely hot weather, change the oil more often.

CAUTION Avoid prolonged or repeated skin contact with used motor oil.

- Used motor oil has been shown to cause skin cancer in certain laboratory animals.
- Thoroughly wash exposed areas with soap and water.



KEEP OUT OF REACH OF CHILDREN. DON'T POLLUTE. CONSERVE RESOURCES. RETURN USED OIL TO COLLECTION CENTERS.

Change the oil while the engine is still warm from running, as follows:

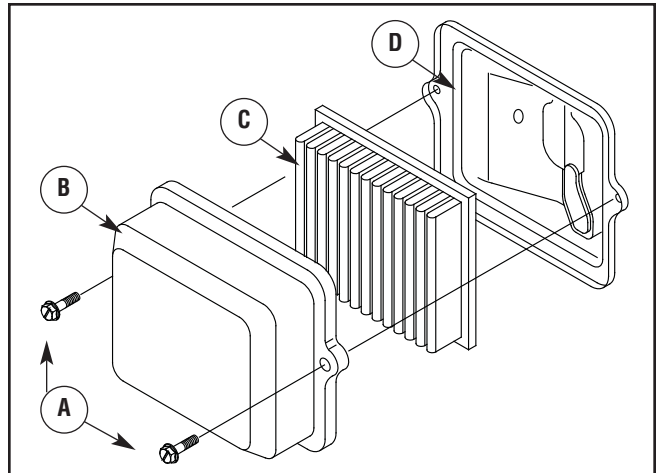
1. Make sure unit is on a level surface.
2. Disconnect the spark plug wire from the spark plug and place the wire where it cannot contact spark plug.
3. Clean area around oil drain plug. The oil drain plug is located at base of engine, opposite carburetor.
4. Remove oil drain plug and drain oil completely into a suitable container.
5. Reinstall oil drain plug and tighten securely. Remove oil cap/dipstick.
6. Slowly pour recommended oil (about 36 oz.) into oil fill opening. Pause to permit oil to settle. Fill to "**Full**" mark on dipstick.
7. Wipe dipstick clean each time oil level is checked. DO NOT overfill.
8. Reinstall oil cap/dipstick. Tighten cap securely.
9. Wipe up any spilled oil.

Service Air Cleaner

Your engine will not run properly and may be damaged if you run it with a dirty air cleaner. Clean or replace more often if operating under dusty or dirty conditions.

To service the air cleaner, follow these steps:

1. Loosen screws (A) and remove air cleaner cover (B).

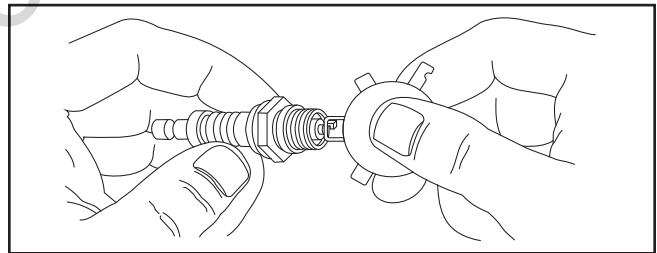


2. Carefully remove cartridge (C) from base (D).
3. Install clean (or new) air cleaner assembly inside cover. Dispose of old filter properly.
4. Assemble air cleaner cover onto base and tighten screws.

Service Spark Plug

Changing the spark plug will help your engine to start easier and run better.

1. Clean area around spark plug.
2. Remove and inspect spark plug.
3. Check electrode gap with wire feeler gauge and reset spark plug gap to recommended gap if necessary (see *Specifications*).



4. Replace spark plug if electrodes are pitted, burned or porcelain is cracked. Use the recommended replacement spark plug. See *Specifications*.
5. Install spark plug and tighten firmly.

Inspect Muffler and Spark Arrester

Inspect the muffler for cracks, corrosion, or other damage. Remove the spark arrester, if equipped, and inspect for damage or carbon blockage. If replacement parts are required, make sure to use only original equipment replacement parts.

▲ WARNING Exhaust heat/gases could ignite combustibles, structures or damage fuel tank causing a fire, resulting in death, serious injury and/or property damage.



Contact with muffler area could cause burns resulting in serious injury.

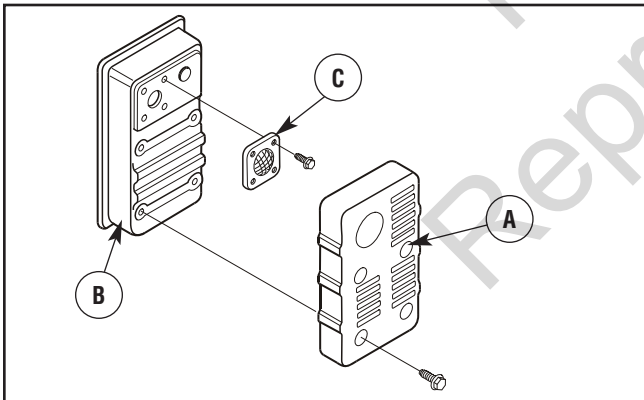
- DO NOT touch hot parts and AVOID hot exhaust gases.
- Allow equipment to cool before touching.
- Keep at least 5 feet (152 cm) of clearance on all sides of generator including overhead.
- It is a violation of California Public Resource Code, Section 4442, to use or operate the engine on any forest-covered, brush-covered, or grass-covered land unless the exhaust system is equipped with a spark arrester, as defined in Section 4442, maintained in effective working order. Other states or federal jurisdictions may have similar laws.

Contact the original equipment manufacturer, retailer, or dealer to obtain a spark arrester designed for the exhaust system installed on this engine.

- Replacement parts must be the same and installed in the same position as the original parts.

Clean and inspect the spark arrester as follows:

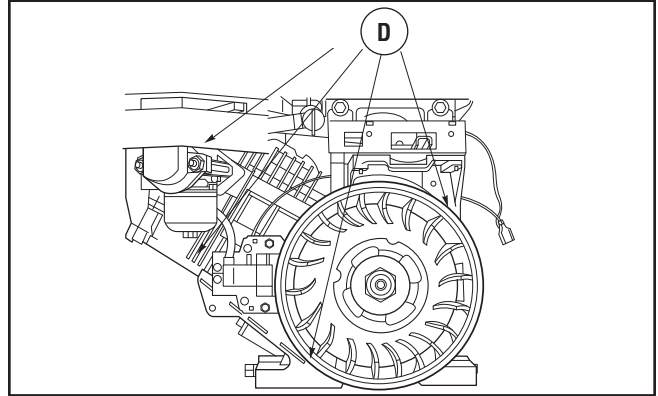
1. To remove muffler heat shield (A) from muffler (B), remove four screws that connect guard to muffler bracket.



2. Remove four screws that attach spark arrester screen (C).
3. Inspect screen and obtain a replacement if torn, perforated or otherwise damaged. DO NOT use a defective screen. If screen is not damaged, clean it with commercial solvent.
4. Reattach screen and muffler guard.

Clean Cooling System

Over time debris may accumulate in cylinder cooling fins and cannot be observed without partial engine disassembly. For this reason, we recommend you have a Briggs & Stratton authorized dealer clean the cooling system (D) per recommended intervals (see *Maintenance Schedule* in the *Maintenance* section). Equally important is to keep top of engine free from debris. Also see *Cleaning*.



Carburetor Adjustment

The carburetor on this engine is low emission. It is equipped with a non-adjustable idle mixture valve. Top speed has been set at the factory. If adjustment is required, see a Briggs & Stratton authorized dealer.

▲ CAUTION Excessively high operating speeds could result in minor injury and/or generator damage. Excessively low speeds impose a heavy load.

- DO NOT tamper with governor spring, links or other parts to increase engine speed. Generator supplies correct rated frequency and voltage when running at governed speed.
- DO NOT modify generator in any way.

Storage

The generator should be started at least once every seven days and allowed to run at least 30 minutes. If this cannot be done and you must store the unit for more than 30 days, use the following guidelines to prepare it for storage.

Generator Storage

- Clean the generator as outlined in *Cleaning* in the *Maintenance* section.
- Check that cooling air slots and openings on generator are open and unobstructed.

Long Term Storage Instructions

Fuel can become stale when stored over 30 days. Stale fuel causes acid and gum deposits to form in the fuel system or on essential carburetor parts. To keep fuel fresh, use Briggs & Stratton FRESH START® fuel stabilizer, available as a liquid additive or a drip concentrate cartridge.

There is no need to drain gasoline from the engine if a fuel stabilizer is added according to instructions. Run the engine for 2 minutes to circulate the stabilizer throughout the fuel system. The engine and fuel can then be stored up to 24 months.

If gasoline in the engine has not been treated with a fuel stabilizer, it must be drained into an approved container. Run the engine until it stops from lack of fuel. The use of a fuel stabilizer in the storage container is recommended to maintain freshness.

▲ WARNING Fuel and its vapors are extremely flammable and explosive which could cause burns, fire or explosion resulting in death, serious injury and/or property damage.



WHEN STORING FUEL OR EQUIPMENT WITH FUEL IN TANK

- Store away from furnaces, stoves, water heaters, clothes dryers or other appliances that have pilot light or other ignition source because they could ignite fuel vapors.

WHEN DRAINING FUEL

- Turn generator engine OFF and let it cool at least 2 minutes before removing fuel cap. Loosen cap slowly to relieve pressure in tank.
- Drain fuel tank outdoors.
- Keep fuel away from sparks, open flames, pilot lights, heat, and other ignition sources.
- Check fuel lines, tank, cap and fittings frequently for cracks or leaks. Replace if necessary.
- DO NOT light a cigarette or smoke.

Change Oil

While engine is still warm, drain oil from crankcase. Refill with recommended grade. See *Changing Engine Oil* in *Engine Maintenance*.

Other Storage Tips

1. DO NOT store fuel from one season to another unless it has been treated as described in *Long Term Storage Instructions*.
2. Replace fuel can if it starts to rust. Contaminated fuel will cause engine problems.
3. If possible, store unit indoors and cover it to give protection from dust and dirt.
4. Cover unit with a suitable protective cover that does not retain moisture.

▲ WARNING Storage covers could cause a fire resulting in death, serious injury and/or property damage.



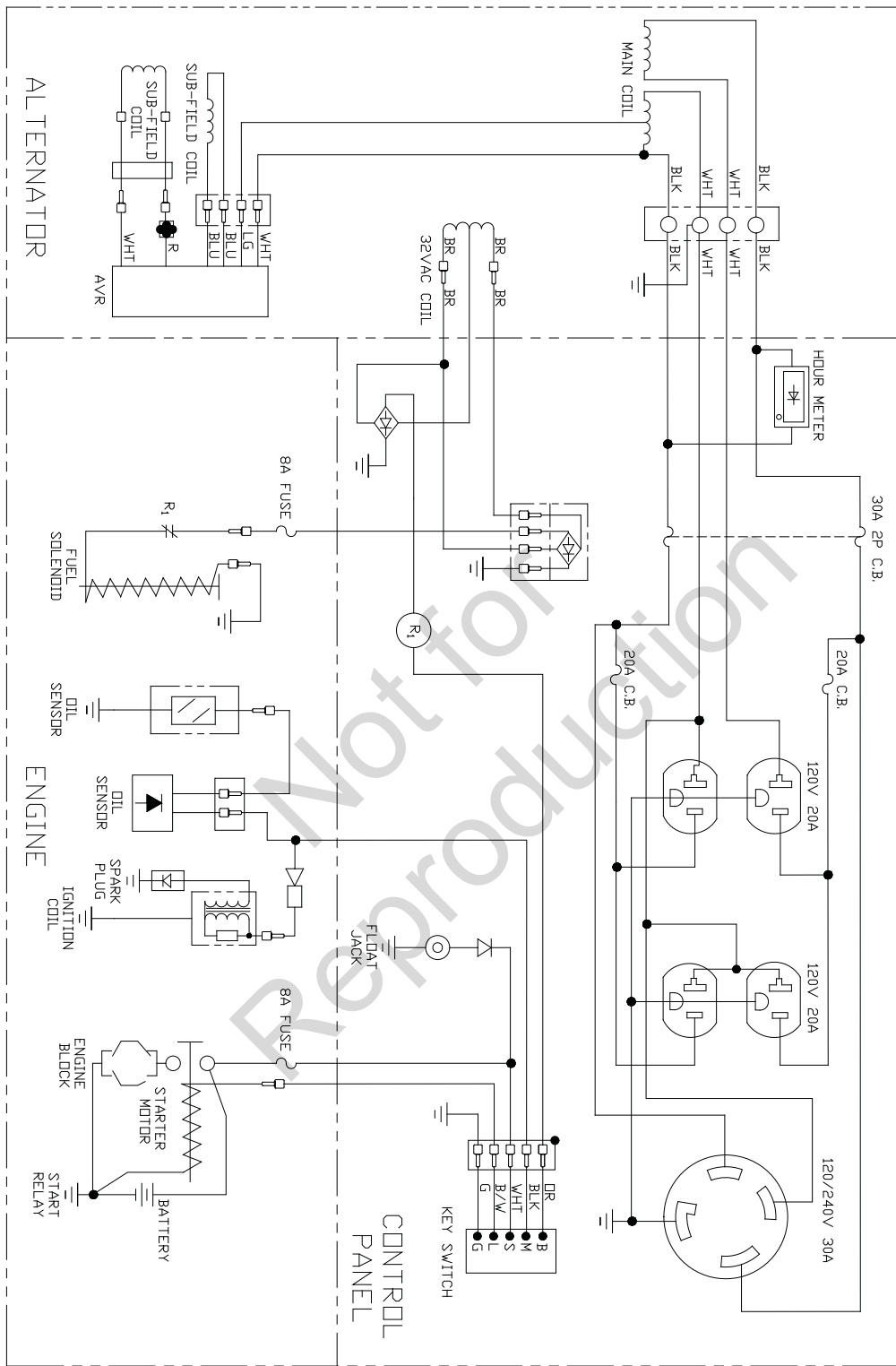
- DO NOT place a storage cover over a hot generator.
- Let equipment cool for a sufficient time before placing the cover on the equipment.

5. Store generator in clean, dry area.

Troubleshooting

Problem	Cause	Correction
Engine is running, but no AC output is available.	<ol style="list-style-type: none"> 1. One of the circuit breakers is open. 2. Fault in generator. 3. Poor connection or defective cord set. 4. Connected device is bad. 	<ol style="list-style-type: none"> 1. Reset circuit breaker. 2. Contact authorized service facility. 3. Check and repair. 4. Connect another device that is in good condition.
Engine runs good at no-load but "bogs down" when loads are connected.	<ol style="list-style-type: none"> 1. Short circuit in a connected load. 2. Engine speed is too slow. 3. Generator is overloaded. 4. Shorted generator circuit. 5. Clogged or dirty fuel filter. 	<ol style="list-style-type: none"> 1. Disconnect shorted electrical load. 2. Contact authorized service facility. 3. See <i>Don't Overload Generator</i>. 4. Contact authorized service facility. 5. Clean or replace fuel filter.
Engine will not start; starts and runs rough or shuts down when running.	<ol style="list-style-type: none"> 1. Start switch in off (O) position. 2. Fuel valve is in "Off" position. 3. Failed battery. 4. Low oil level. 5. Dirty air cleaner. 6. Clogged or dirty fuel filter. 7. Out of fuel. 8. Stale fuel. 9. Spark plug wire not connected to spark plug. 10. Bad spark plug. 11. Water in fuel. 12. Flooded. 13. Excessively rich fuel mixture. 14. Intake valve stuck open or closed. 15. Engine has lost compression. 	<ol style="list-style-type: none"> 1. Turn key in start switch to run (I). 2. Turn fuel valve to "On" position. 3. Replace battery. 4. Fill crankcase to proper level or place generator on level surface. 5. Clean or replace air cleaner. 6. Clean or replace fuel filter. 7. Fill fuel tank. 8. Drain fuel tank and carburetor; fill with fresh fuel. 9. Connect wire to spark plug. 10. Replace spark plug. 11. Drain fuel tank and carburetor; fill with fresh fuel. 12. Wait 5 minutes and re-crank engine. 13. Contact authorized service facility. 14. Contact authorized service facility. 15. Contact authorized service facility.
Engine lacks power.	<ol style="list-style-type: none"> 1. Load is too high. 2. Dirty air filter. 3. Clogged or dirty fuel filter. 	<ol style="list-style-type: none"> 1. See <i>Don't Overload Generator</i>. 2. Replace air filter. 3. Clean or replace fuel filter.
Engine "hunts" or falters.	<ol style="list-style-type: none"> 1. Carburetor is running too rich or too lean. 2. Clogged or dirty fuel filter. 	<ol style="list-style-type: none"> 1. Contact authorized service facility. 2. Clean or replace fuel filter.

Schematic - Model 030470 (7000 Watt)

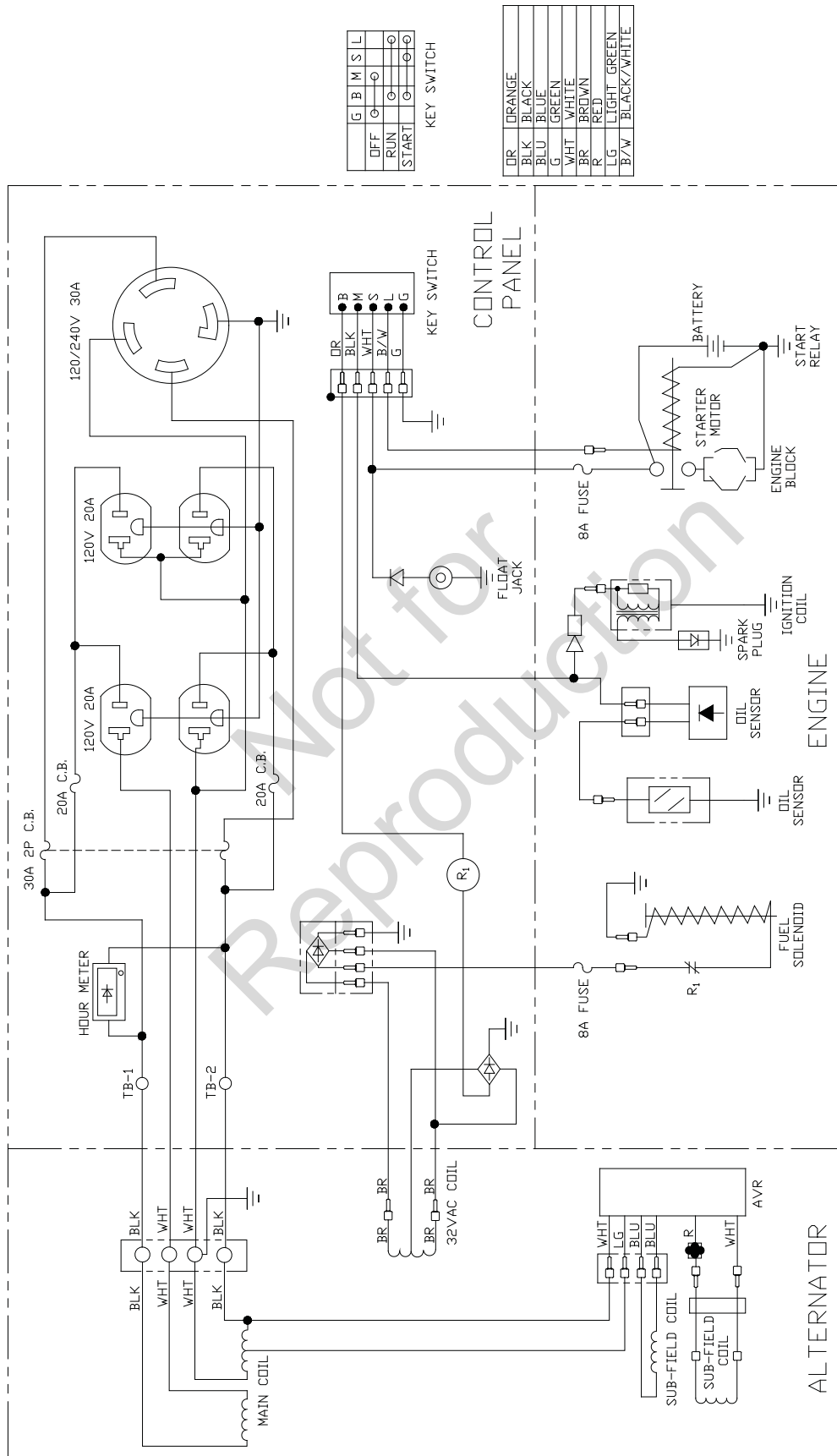


DR	ORANGE
BLK	BLACK
BLU	BLUE
G	GREEN
WHT	WHITE
BR	BROWN
R	RED
LG	LIGHT GREEN
B/W	BLACK/WHITE

	G	B	M	S	L
DEF	○	○	○	○	○
RUN	○	○	○	○	○
START	○	○	○	○	○

KEY SWITCH

Schematic - Model 030471 (8000 Watt)



	G	B	M	S	L
OFF	○	○	○	○	○
RUN	○	○	○	○	○
START	○	○	○	○	○

KEY SWITCH

OR	ORANGE
BLK	BLACK
BLU	BLUE
G	GREEN
WHT	WHITE
BR	BROWN
R	RED
LG	LIGHT GREEN
B/W	BLACK/WHITE

Warranties

California, U.S. EPA, and Briggs & Stratton Corporation Emissions Control Warranty Statement

Your Warranty Rights And Obligations

The California Air Resources Board, U.S. EPA, and Briggs & Stratton (B&S) are pleased to explain the emissions control system warranty on your Model Year 2011-2012 engine/equipment. In California, new small off-road engines and large spark ignited engines less than or equal to 1.0 liter must be designed, built, and equipped to meet the State's stringent anti-smog standards. B&S must warrant the emissions control system on your engine/equipment for the periods of time listed below provided there has been no abuse, neglect, or improper maintenance of your engine or equipment.

Your emissions control system may include parts such as the carburetor or fuel injection system, fuel tank, ignition system, and catalytic converter. Also included may be hoses, belts, connectors, sensors, and other emissions-related assemblies. Where a warrantable condition exists, B&S will repair your engine/equipment at no cost to you including diagnosis, parts, and labor.

Manufacturer's Warranty Coverage:

Small off-road engines and large spark ignited engines less than or equal to 1.0 liter are warranted for two years. If any emissions-related part on your engine/equipment is defective, the part will be repaired or replaced by B&S.

Owner's Warranty Responsibilities:

- As the engine/equipment owner, you are responsible for the performance of the required maintenance listed in your owner's manual. B&S recommends that you retain all receipts covering maintenance on your engine/equipment, but B&S cannot deny warranty solely for the lack of receipts or your failure to ensure the performance of all scheduled maintenance.
- As the engine/equipment owner, you should however be aware that B&S may deny you warranty coverage if your engine/equipment or a part has failed due to abuse, neglect, improper maintenance, or unapproved modifications.
- You are responsible for presenting your engine/equipment to a B&S distribution center, servicing dealer, or other equivalent entity, as applicable, as soon as a problem exists. The warranty repairs should be completed in a reasonable amount of time, not to exceed 30 days. If you have any questions regarding your warranty rights and responsibilities, you should contact B&S at (414) 259-5262.

Briggs & Stratton Emissions Control Warranty Provisions

The following are specific provisions relative to your Emissions Control Warranty Coverage. It is in addition to the B&S engine warranty for non-regulated engines found in the Operator's Manual.

1. Warranted Emissions Parts

Coverage under this warranty extends only to the parts listed below (the emissions control systems parts) to the extent these parts were present on the B&S engine and/or B&S supplied fuel system.

a. Fuel Metering System

- Cold start enrichment system (soft choke)
- Carburetor and internal parts
- Fuel pump
- Fuel line, fuel line fittings, clamps
- Fuel tank, cap and tether
- Carbon canister

b. Air Induction System

- Air cleaner
- Intake manifold
- Purge and vent line

c. Ignition System

- Spark plug(s)
- Magneto ignition system

d. Catalyst System

- Catalytic converter
- Exhaust manifold
- Air injection system or pulse valve

e. Miscellaneous Items Used in Above Systems

- Vacuum, temperature, position, time sensitive valves and switches
- Connectors and assemblies

2. Length of Coverage

For a period of two years from date of original purchase, B&S warrants to the original purchaser and each subsequent purchaser that the engine is designed, built, and equipped so as to conform with all applicable regulations adopted by the Air Resources Board; that it is free from defects in material and workmanship that could cause the failure of a warranted part; and that it is identical in all material respects to the engine described in the manufacturer's application for certification. The warranty period begins on the date the engine is originally purchased.

The warranty on emissions-related parts is as follows:

- Any warranted part that is not scheduled for replacement as required maintenance in the owner's manual supplied, is warranted for the warranty period stated above. If any such part fails during the period of warranty coverage, the part will be repaired or replaced by B&S at no charge to the owner. Any such part repaired or replaced under the warranty will be warranted for the remaining warranty period.
 - Any warranted part that is scheduled only for regular inspection in the owner's manual supplied, is warranted for the warranty period stated above. Any such part repaired or replaced under warranty will be warranted for the remaining warranty period.
 - Any warranted part that is scheduled for replacement as required maintenance in the owner's manual supplied, is warranted for the period of time prior to the first scheduled replacement point for that part. If the part fails prior to the first scheduled replacement, the part will be repaired or replaced by B&S at no charge to the owner. Any such part repaired or replaced under warranty will be warranted for the remainder of the period prior to the first scheduled replacement point for the part.
 - Add on or modified parts that are not exempted by the Air Resources Board may not be used. The use of any non exempted add on or modified parts by the owner will be grounds for disallowing a warranty claim. The manufacturer will not be liable to warrant failures of warranted parts caused by the use of a non exempted add on or modified part.
3. Consequential Coverage
Coverage shall extend to the failure of any engine components caused by the failure of any warranted emissions parts.
4. Claims and Coverage Exclusions
Warranty claims shall be filed according to the provisions of the B&S engine warranty policy. Warranty coverage does not apply to failures of emissions parts that are not original equipment B&S parts or to parts that fail due to abuse, neglect, or improper maintenance as set forth in the B&S engine warranty policy. B&S is not liable for warranty coverage of failures of emissions parts caused by the use of add-on or modified parts.

Look For Relevant Emissions Durability Period and Air Index Information On Your Small Off-Road Engine Emissions Label

Engines that are certified to meet the California Air Resources Board (CARB) small off-road Emissions Standard must display information regarding the Emissions Durability Period and the Air Index. Briggs & Stratton makes this information available to the consumer on our emissions labels. The engine emissions label will indicate certification information.

The **Emissions Durability Period** describes the number of hours of actual running time for which the engine is certified to be emissions compliant, assuming proper maintenance in accordance with the Operating & Maintenance Instructions. The following categories are used:

Moderate:

Engine is certified to be emissions compliant for 125 hours of actual engine running time.

Intermediate:

Engine is certified to be emissions compliant for 250 hours of actual engine running time.

Extended:

Engine is certified to be emissions compliant for 500 hours of actual engine running time.

For example, a typical walk-behind lawn mower is used 20 to 25 hours per year. Therefore, the **Emissions Durability Period** of an engine with an **intermediate** rating would equate to 10 to 12 years. Briggs & Stratton engines are certified to meet the United States Environmental Protection Agency (USEPA) Phase 2 emissions standards. For Phase 2 certified engines, the Emissions Compliance Period referred to on the Emissions Compliance label indicates the number of operating hours for which the engine has been shown to meet Federal emissions requirements.

For engines less than 225 cc displacement.

Category C = 125 hours

Category B = 250 hours

Category A = 500 hours

For engines of 225 cc or more displacement.

Category C = 250 hours

Category B = 500 hours

Category A = 1000 hours

BRIGGS & STRATTON POWER PRODUCTS GROUP, LLC PORTABLE GENERATOR OWNER WARRANTY POLICY

Effective May 1, 2010 replaces all undated Warranties and all Warranties dated before May 1, 2010

LIMITED WARRANTY

Briggs & Stratton Power Products Group, LLC will repair or replace, free of charge, any part(s) of the portable generator that is defective in material or workmanship or both. Transportation charges on product submitted for repair or replacement under this warranty must be borne by purchaser. This warranty is effective for the time periods and subject to the conditions stated below. For warranty service, find the nearest Authorized Service Dealer in our dealer locator map at BRIGGSandSTRATTON.COM.

THERE IS NO OTHER EXPRESS WARRANTY. IMPLIED WARRANTIES, INCLUDING THOSE OF MERCHANTABILITY AND FITNESS FOR A PARTICULAR PURPOSE, ARE LIMITED TO ONE YEAR FROM PURCHASE, OR TO THE EXTENT PERMITTED BY LAW. ANY AND ALL IMPLIED WARRANTIES ARE EXCLUDED. LIABILITY FOR INCIDENTAL OR CONSEQUENTIAL DAMAGES ARE EXCLUDED TO THE EXTENT EXCLUSION IS PERMITTED BY LAW. Some states or countries do not allow limitations on how long an implied warranty lasts, and some states or countries do not allow the exclusion or limitation of incidental or consequential damages, so the above limitation and exclusion may not apply to you. This warranty gives you specific legal rights and you may also have other rights which vary from state to state or country to country.

WARRANTY PERIOD

	Engine	All other components
Consumer Use	2 years	3 years*
Commercial Use	1 year	1 year

*Year 2 & 3 parts only

The warranty period begins on the date of purchase by the first retail end user, and continues for the period of time stated above. "Consumer Use" means personal residential household use by a retail consumer. "Commercial Use" means all other uses, including use for commercial, income producing or rental purposes. Once equipment has experienced commercial use, it shall thereafter be considered as commercial use for purposes of this warranty. Equipment used for prime power in place of utility are not applicable to this warranty.

NO WARRANTY REGISTRATION IS NECESSARY TO OBTAIN WARRANTY ON BRIGGS & STRATTON PRODUCTS. SAVE YOUR PROOF OF PURCHASE RECEIPT. IF YOU DO NOT PROVIDE PROOF OF THE INITIAL PURCHASE DATE AT THE TIME WARRANTY SERVICE IS REQUESTED, THE MANUFACTURING DATE OF THE PRODUCT WILL BE USED TO DETERMINE THE WARRANTY PERIOD.

ABOUT YOUR WARRANTY

We welcome warranty repair and apologize to you for being inconvenienced. Any Authorized Service Dealer may perform warranty repairs. Most warranty repairs are handled routinely, but sometimes requests for warranty service may not be appropriate. For example, warranty service would not apply if equipment damage occurred because of misuse, lack of routine maintenance, shipping, handling, warehousing or improper installation. Similarly, the warranty is void if the manufacturing date or the serial number on the portable generator has been removed or the equipment has been altered or modified. During the warranty period, the Authorized Service Dealer, at its option, will repair or replace any part that, upon examination, is found to be defective under normal use and service. This warranty will not cover the following repairs and equipment:

- **Normal Wear:** Outdoor Power Equipment, like all mechanical devices, needs periodic parts and service to perform well. This warranty does not cover repair when normal use has exhausted the life of a part or the equipment.
- **Installation and Maintenance:** This warranty does not apply to equipment or parts that have been subjected to improper or unauthorized installation or alteration and modification, misuse, negligence, accident, overloading, overspeeding, improper maintenance, repair or storage so as, in our judgment, to adversely affect its performance and reliability. This warranty also does not cover normal maintenance such as adjustments, fuel system cleaning and obstruction (due to chemical, dirt, carbon, lime, etc.).
- **Other Exclusions:** This warranty excludes wear items such as o-rings, filters, etc., or malfunctions resulting from accidents, abuse, modifications, alterations, or improper servicing or freezing or chemical deterioration. Accessory parts such as starting batteries, generator adapter cord sets and storage covers are excluded from the product warranty. This warranty excludes used, reconditioned, and demonstration equipment, equipment used for prime power in place of utility power, equipment used in life support applications, and failures due to acts of God and other force majeure events beyond the manufacturers control. 311527E, Rev. A, 05/01/2010

BRIGGS & STRATTON POWER PRODUCTS GROUP, LLC
MILWAUKEE, WI, USA

Not for
Reserved
Reproduction



Portable Generator

Product Specifications

Model 030470

Starting Wattage	.8,750 Watts
Wattage*	.7,000 Watts
AC Voltage	.120/240 Volts
at 240 Volts	.29.1 Amps
at 120 Volts	.58.3 Amps
Frequency	.60 Hz at 3600 rpm
Phase	.Single Phase
Displacement	.25.63 cu. in. (420 cc)
Spark Plug Gap	.0.030 in. (0.76 mm)
Fuel Capacity	.7 U.S. Gallons (26.5 Liters)
Oil Capacity	.36 Ounces (1.0 Liters)

Model 030471

Starting Wattage	.10,000 Watts
Wattage*	.8,000 Watts
AC Voltage	.120/240 Volts
at 240 Volts	.33.3 Amps
at 120 Volts	.66.6 Amps
Frequency	.60 Hz at 3600 rpm
Phase	.Single Phase
Displacement	.25.63 cu. in. (420 cc)
Spark Plug Gap	.0.030 in. (0.76 mm)
Fuel Capacity	.7 U.S. Gallons (26.5 Liters)
Oil Capacity	.36 Ounces (1.0 Liters)

Common Service Parts

Air Cleaner	.491588 or 5043
Engine Oil Bottle	.100005 or 100028
Synthetic Oil Bottle	.100074
Fuel Stabilizer	.100002 or 5041
Spark Arrester	.83083GS

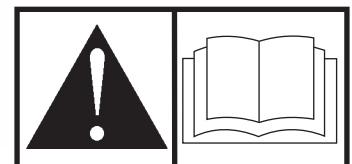
Power Ratings: The gross power rating for individual gas engine models is labeled in accordance with SAE (Society of Automotive Engineers) code J1940 (Small Engine Power & Torque Rating Procedure), and rating performance has been obtained and corrected in accordance with SAE J1995 (Revision 2002-05). Torque values are derived at 3060 RPM; horsepower values are derived at 3600 RPM. Net power values are taken with exhaust and air cleaner installed whereas gross power values are collected without these attachments. Actual gross engine power will be higher than net engine power and is affected by, among other things, ambient operating conditions and engine-to-engine variability. Given the wide array of products on which engines are placed, the gas engine may not develop the rated gross power when used in a given piece of power equipment. This difference is due to a variety of factors including, but not limited to, the variety of engine components (air cleaner, exhaust, charging, cooling, carburetor, fuel pump, etc.), application limitations, ambient operating conditions (temperature, humidity, altitude), and engine-to-engine variability. Due to manufacturing and capacity limitations, Briggs & Stratton may substitute an engine of higher rated power for this Series engine.

* This generator is rated and certified to be compliant with CSA (Canadian Standards Association) standard C22.2 No. 100-04 (motors and generators).

Briggs & Stratton Power Products Group, LLC
P.O. Box 702
Milwaukee, Wisconsin, 53201-0702 U.S.A.



Generador portátil Manual del Operario



Este generador está clasificado y certificado conforme a la norma C22.2 No. 100-04 (motores y generadores) de la CSA (Canadian Standards Association [Asociación canadiense de normalización]).

BRIGGS & STRATTON POWER PRODUCTS GROUP, LLC
MILWAUKEE, WISCONSIN, U.S.A.

Muchas gracias por comprar este generador Briggs & Stratton® de gran calidad. Nos alegra que haya depositado su confianza en la marca Briggs & Stratton. Siempre que sea utilizado de acuerdo con las instrucciones de este manual, su generador Briggs & Stratton le proporcionará muchos años de buen funcionamiento.

Este manual contiene información sobre seguridad para hacerle consciente de los riesgos asociados a los generadores y mostrarle cómo evitarlos. Este generador se ha diseñado exclusivamente para suministrar energía eléctrica a cargas compatibles de iluminación, electrodomésticos, herramientas y motores. No debe utilizarse para ningún otro fin. Es importante leer detenidamente y comprender estas instrucciones antes de poner en marcha o utilizar el equipo. **Conserve estas instrucciones originales para futuras consultas.**

Este generador requiere montaje final antes de ser usado. Consulte la sección *Montaje* de este manual, donde encontrará instrucciones para el montaje final. Siga las instrucciones al pie de la letra.

Dónde encontrarnos

Usted no tendrá que ir muy lejos para encontrar el servicio técnico de Briggs & Stratton para su generador. Consulte las Páginas Amarillas. Hay más de 30.000 proveedores de Briggs & Stratton autorizados en todo el mundo, proporcionando un servicio de calidad. También puede ponerse en contacto con Atención al Cliente de Briggs & Stratton llamando al **(800) 743-4115** o por Internet en BRIGGSandSTRATTON.COM.

Generador

Número de Modelo

--	--	--	--	--	--	--	--

Revisión

--	--

Número de Serie

--	--	--	--	--	--	--	--	--	--	--	--	--	--	--	--	--	--

Motor

Número de Modelo

--	--	--	--	--	--	--	--

Número de Tipo

--	--	--	--	--	--	--	--

Número de Código

--	--	--	--	--	--	--	--	--	--	--	--	--	--	--	--	--	--

Fecha de compra

--	--	--	--	--	--	--	--

Copyright © 2011. Briggs & Stratton Power Products Group, LLC
Milwaukee, WI, USA. Reservados todos los derechos.
BRIGGS & STRATTON POWER PRODUCTS es una marca
registradas de Briggs & Stratton Corporation
Milwaukee, WI, USA

Tabla de Contenido

Seguridad de operario	4
Descripción del equipo	4
Información importante de seguridad	4
Montaje	7
Desembalaje del generador	7
Contenido de la caja	7
Instale el juego de ruedas	7
Conecte el cable negativo de la batería	7
Agregar aceite al motor	8
Agregue combustible	8
Tierra del sistema	9
Conexión al sistema eléctrico de un edificio	9
Ubicación del generador	9
Controles y características	10
Juegos de cordones y enchufes conectores	11
Cargador de batería	11
Operando	12
Encienda el motor	12
Conexión de cargas eléctricas	13
Parada del motor	13
Parada por falta de presión de aceite	13
Operación durante un clima frío	13
No sobrecargar el generador	15
Mantenimiento	16
Plan de mantenimiento	16
Mantenimiento del generador	16
Mantenimiento de la batería	17
Mantenimiento de la válvula de combustible	17
Mantenimiento del motor	17
Almacenamiento	20
Resolución de problemas	21
Garantías	22
Garantía del sistema de control de emisiones	22
Garantía para el propietario de una generador	24
Especificaciones	26
Especificaciones del producto	26
Servicio común despide	26

Seguridad de operario

Descripción del equipo



Lea atentamente este manual y familiarícese con el generador. Conozca sus aplicaciones, limitaciones y riesgos.

Este generador funciona en base a un motor de campo eléctrico giratorio y de corriente alterna (CA). Fue diseñado con la finalidad de proveer energía eléctrica para lámparas eléctricas, aparatos, herramientas y cargas de motor compatibles. El campo giratorio del generador se mueve a unas 3.600 rpm con un motor de un cilindro.

AVISO Si se supera la capacidad de los generadores en vatios/amperios, se podría dañar el generador y/o los dispositivos eléctricos conectados a él.

- NO exceda la capacidad en vatios/amperios del generador. Consulte *No sobrecargar el generador* en la sección *Operando*.

Se ha realizado el máximo esfuerzo para reunir en este documento la información más precisa y actualizada. No obstante, nos reservamos el derecho de modificar, alterar o mejorar de cualquier otra forma el generador en cualquier momento y sin previo aviso.

El Sistema de Control de Emisiones para este generador está garantizado para juegos estándares por la Agencia de Protección Ambiental y el Consejo de recursos de aire de California.

Información importante de seguridad

El fabricante no puede anticipar todas las posibles circunstancias que podrían conllevar peligro. Por lo tanto, las advertencias de este manual, así como las etiquetas y placas de la unidad, no incluyen todo. Si usa un procedimiento, método de trabajo o técnica operativa que no esté específicamente recomendada por el fabricante, debe asegurarse de que no entraña peligro para usted ni para otras personas. También debe asegurarse de que el procedimiento, método de trabajo o técnica operativa elegida no hace que el generador deje de ser seguro.

Símbolos sobre la seguridad y significados



Gases Tóxicos



Contragolpe



Descarga Eléctrica



Fuego



Explosión



Manual del Operario



Partes en Movimiento



Objetos Voladores



Superficie Caliente

▲ El símbolo de alerta de seguridad indica un posible riesgo para su integridad física. Se utiliza una palabra de señalización (PELIGRO, ADVERTENCIA o PRECAUCIÓN) junto con el símbolo de alerta para designar un grado o nivel de gravedad de riesgo. Se puede utilizar un símbolo de seguridad para representar el tipo de riesgo. La palabra de señalización **AVISO** se utiliza para hacer referencia a una práctica no relacionada con una lesión física.

▲ **PELIGRO** indica un riesgo que, de no evitarse, *provocará* la muerte o lesiones de gravedad.

▲ **ADVERTENCIA** indica un riesgo que, de no evitarse, *podría* provocar la muerte o lesiones de gravedad.

▲ **PRECAUCIÓN** indica un riesgo que, de no evitarse, *podría* provocar lesiones leves o moderadas.

AVISO hace referencia a una práctica no relacionada con una lesión física.

▲ **ADVERTENCIA** Determinados componentes en este producto y los accesorios relacionados contienen sustancias químicas declaradas cancerígenas, causantes de malformaciones y otros defectos congénitos por el Estado de California. Lávese las manos después de manipular estos elementos.

▲ **ADVERTENCIA** El escape del motor de este producto contiene elementos químicos reconocidos en el Estado de California por producir cáncer, defectos de nacimiento u otros daños de tipo reproductivo.

⚠ PELIGRO

El uso de un generador en un espacio interior PUEDE PROVOCAR LA MUERTE EN POCOS MINUTOS.

Los gases de escape del generador contienen monóxido de carbono, un veneno invisible e inodoro.



NUNCA utilice un generador en el interior de una casa o un garaje, AUNQUE haya ventanas y puertas abiertas.



Utilícelo solo en el EXTERIOR, alejado de ventanas, puertas y aberturas de ventilación.

⚠ ADVERTENCIA Al motor funcionar, se produce monóxido de carbono, un gas inodoro y venenoso. La inhalación de monóxido de carbono puede provocar lesiones graves, dolor de cabeza, fatiga, mareos, vómitos, confusión, convulsiones, náuseas, desmayos o incluso la muerte.

- Utilice este producto SÓLO a la intemperie.
- Instale una alarma de monóxido de carbono con batería cerca de los dormitorios.
- Asegúrese de que los gases de escape no puedan entrar por ventanas, puertas, tomas de aire de ventilación u otras aberturas en un espacio cerrado en el que puedan acumularse.
- NO utilice este producto en el interior de un edificio, cochera, porche, equipo móvil, taller de aplicaciones navales o recinto, aunque haya ventanas y puertas abiertas.

⚠ ADVERTENCIA El retroceso (repliegue rápido) del cable del arrancador impedirá que el usuario suelte el cable a tiempo y tirará de su mano y brazo hacia el motor, lo que podría provocar fracturas, contusiones o esguinces; así como lesiones graves.

- Cuando arranque el motor, tire lentamente del cable hasta sentir una resistencia y, a continuación, tire rápidamente de él para evitar su retroceso.
- NUNCA arranque o pare el motor cuando haya aparatos eléctricos conectados y en funcionamiento.

⚠ ADVERTENCIA El arrancador y otras piezas rotativas podrían enredarse en las manos, el pelo, la ropa u otros accesorios, y provocar lesiones graves.

- NUNCA utilice la generador sin sus carcasas o tapas de protección.
- NO utilice ropa suelta, joyas ni objetos que podrían quedar atrapados en el arrancador o en otras piezas rotativas.
- Ate para arriba el pelo largo y quite la joyería.

⚠ ADVERTENCIA El combustible y sus vapores son extremadamente inflamables y explosivos, lo que podría provocar quemaduras, incendios o explosiones; así como daños materiales, lesiones graves o incluso la muerte.

CUANDO ANADA COMBUSTIBLE O VACÍE EL DEPÓSITO

- DETENGA el motor del generador y déjelo enfriar durante al menos 2 minutos antes de quitar el tapón de combustible. Afloje la tapa lentamente para dejar que la presión salga del tanque.
- Llene o vacíe el depósito de combustible a la intemperie.
- NO llene demasiado el tanque. Permita al menos espacio para la expansión del combustible.
- Si se ha derramado combustible, espere a que se evapore antes de arrancar el motor.
- Mantenga la combustible alejada de chispas, llamas abiertas, pilotos, calor y otras fuentes de ignición.
- Compruebe frecuentemente que las líneas de combustible, el tanque, el tapón y los accesorios no estén rotos o tengan fugas. Cámbielos si es necesario.
- NO encienda un cigarrillo o fume.

CUANDO PONGA EN FUNCIONAMIENTO EL EQUIPO

- Compruebe que la bujía, el silenciador, el tapón del depósito de combustible y el filtro de aire están instalados.
- NO arranque el motor sin la bujía instalada.

CUANDO OPERE EL EQUIPO

- NO utilice este producto en el interior de un edificio, cochera, porche, equipo móvil, taller de aplicaciones navales o recinto.
- NO incline el motor o el equipo, de tal manera que la combustible se pueda derramar.
- NO coloque el estrangulador en la posición estrangulamiento (I) para parar el motor.

CUANDO TRANSPORTE, MOVER O REPARE EL EQUIPO

- Transporte, mover o repare el equipo con el tanque de combustible vacío, o con la válvula para apagar el combustible, apagada (posición OFF).
- NO incline el motor o el equipo, de tal manera que la combustible se pueda derramar.
- Desconecte el cable de la bujía.

CUANDO ALMACENE O GUARDE EL EQUIPO CON COMBUSTIBLE EN EL TANQUE

- Almacene alejado de calderas, estufas, calentadores de agua, secadoras de ropa u otros aparatos electrodomésticos que posean pilotos u otras fuentes de ignición, porque ellos pueden encender los vapores de la combustible.

⚠ ADVERTENCIA

- Este generador no cumple la norma 33CFR-183 del cuerpo de guardacostas de EE.UU. y no debe utilizarse en aplicaciones marinas.
- El uso de un generador no homologado por cuerpo de guardacostas de EE.UU. puede provocar lesiones y daños materiales.

⚠ ADVERTENCIA Los gases y el calor de escape podrían inflamar los materiales combustibles y las estructuras o dañar el depósito de combustible y provocar incendios, así como daños materiales, lesiones graves o incluso la muerte.



El contacto con la zona del silenciador podría producir quemaduras y lesiones graves.

- NO toque las superficies calientes y EVITE los gases del escape a alta temperatura.
- Permita que el equipo se enfríe antes de tocarlo.
- Deje un espacio mínimo de 1.5 m (5 pies) alrededor del generador, incluida la parte superior.
- Utilizar el motor en un terreno boscoso, con maleza o cubierto de hierba constituye una infracción al Código de recursos públicos de California, a menos que el sistema de escape esté equipado con una pantalla apagachispas, de acuerdo a la definición de la Sección 4442, que se mantenga en buenas condiciones de funcionamiento. En otros estados o jurisdicciones federales puede haber leyes similares en vigor. Póngase en contacto con el fabricante, el vendedor o el distribuidor del equipo original para obtener una pantalla apagachispas diseñada para el sistema de escape instalado en este motor.
- Las piezas de recambio deben ser las mismas que las piezas originales y estar instaladas en la misma posición.

⚠ ADVERTENCIA El voltaje del generador podría provocar descargas eléctricas o quemaduras, que pueden producir lesiones graves o la muerte.



- Utilice equipos de transferencia aprobados para evitar la retroalimentación al aislar el generador de las personas que trabajan con el suministro eléctrico.
- Si utiliza el generador como sistema de reserva, notifíquelo a la compañía eléctrica.
- Use un interruptor para la falla del circuito de tierra (GFCI) en cualquier área bastante húmeda o que sea altamente conductiva, tales como terrazas de metal o trabajo hecho con acero.
- NO toque los alambres pelados o receptáculos.
- NO use un generador con cables eléctricos que estén malgastados, rotos, pelados o dañados de cualquier forma.
- NO opere el generador bajo la lluvia.
- NO maneje el generador o cables eléctricos mientras esté parado en agua, descalzo o cuando las manos y los pies estén mojados.
- NO permita que personas descalificadas o niños operen o sirvan al generador.

⚠ ADVERTENCIA Las chispas involuntarias podrían provocar incendios o electrocución que pueden provocar lesiones graves o la muerte.



CUANDO AJUSTE O HAGA REPARACIONES A SU MÁQUINA GENERADOR

- Siempre desconecte el alambre de la bujía y colóquelo donde no pueda entrar en contacto con la bujía.

CUANDO PRUEBE LA BUJÍA DEL MOTOR

- Utilice un comprobador de bujías homologado.
- NO compruebe la chispa sin la bujía instalada.

⚠ PRECAUCIÓN Las velocidades de funcionamiento excesivamente altas podrían provocar lesiones leves y/o daños al generador. Las velocidades excesivamente bajas incrementan la carga de trabajo.

- NO intente alterar el resorte, las conexiones y otras partes del regulador para incrementar la velocidad del motor. El generador suministra la frecuencia y el voltaje nominales correctos cuando funciona a una velocidad controlada.
- NO modifique al generador en ninguna forma.

AVISO Si se supera la capacidad de los generadores en vatios/amperios, se podría dañar el generador y/o los dispositivos eléctricos conectados a él.

- NO exceda la capacidad en vatios/amperios del generador. Consulte *No sobrecargar el generador* en la sección *Operando*.
- Encienda su generador y deje que el motor se estabilice antes de conectar las cargas eléctricas.
- Conecte las cargas eléctricas en la posición de apagado (OFF), luego encienda (ON) para su operación.
- Apague (OFF) las cargas eléctricas y desconéctelas del generador antes de parar el generador.

AVISO Un tratamiento inadecuado de la generador podría dañarla y acortar su vida útil.

- Use el generador solamente con la finalidad para el cual fue diseñado.
- En caso de dudas sobre su uso, diríjase al distribuidor.
- Opere el generador solamente en superficies niveladas.
- NO exponga al generador a una humedad excesiva, polvo, suciedad o vapores corrosivos.
- NO inserte cualquier objeto a través de las ranuras de enfriamiento.
- Si los aparatos conectados se sobre calientan, apáguelos y desconéctelos del generador.
- Apague el generador si:
 - Se pierde la salida eléctrica;
 - El equipo produce chispas, humo o emite llamas;
 - La unidad vibra de una manera excesiva.

Montaje

Su generador requiere de ciertos procedimientos de montaje y solo estará listo para ser utilizado después de haberle suministrado servicio con el combustible y aceite recomendados.

Si usted tiene problemas con el montaje de su generador, por favor llame a la línea de ayuda para generadores al **(800) 743-4115**. Si llamar para la ayuda, tiene por favor el modelo, la revisión y el número de serie de etiqueta de identificación disponible. Consulte la ubicación en la sección *Controles y características*.

Desembalaje del generador

1. Coloque la caja de cartón en una superficie rígida y plana.
2. Abra completamente la caja de cartón cortando cada una de sus esquinas de arriba abajo.
3. Saque todo el contenido de la caja de cartón, a excepción del generador.
4. Mantenga el generador sobre el cartón para instalar el juego de ruedas.

Contenido de la caja

El generador se entrega con:

- Aceite del motor (2)
- Manual del operario
- Cargador de flotación de la batería
- Llaves (2)
- Juego de ruedas

Instale el juego de ruedas

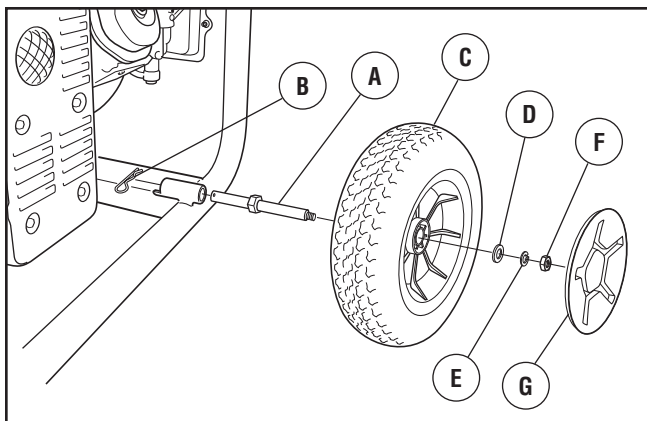
AVISO Este juego de ruedas no ha sido diseñado para ser usado en la carretera.

Necesitará las siguientes herramientas para instalar estos componentes:

- Llave de 13 mm y 19 mm
- Llave de cubo de 10 mm y 16 mm

Instale el juego de ruedas conforme a las instrucciones siguientes:

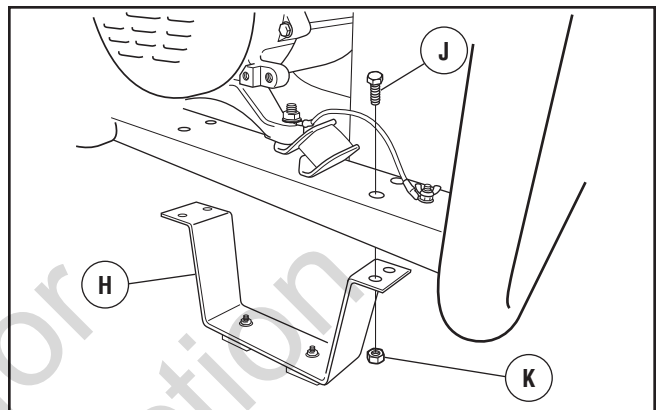
1. Dele la vuelta al generador de forma que el lado del motor quede abajo.
2. Deslice el extremo del eje (A) por el soporte de montaje con el extremo roscado hacia afuera.



3. Inserte el pasador de retención (B) a través del orificio del extremo del eje.
4. Inserte una rueda (C) en el extremo del eje.

AVISO Compruebe que instala la rueda con el cubo elevado hacia el interior.

5. Fije la rueda al extremo del eje con una arandela (D), una arandela de retención (E) y una tuerca (F). Apriete con la llave de cubo de 16 mm y con la llave de 19 mm.
6. Coloque el tapón del cubo (G) en el centro de la rueda y empújelo hasta que encaje en su posición.
7. Repita los pasos 2 al 6 para asegurar la segunda rueda.
8. Haga coincidir los orificios de la pata de apoyo (H) con los del armazón del generador.



9. Monte la pata de apoyo usando 4 tornillos de cabeza (J) y 4 tuercas hexagonales (K). Apriete con la llave de cubo de 10 mm y con la llave de 13 mm.
10. Vuelva a colocar el generador en la posición normal de funcionamiento (apoyado en las ruedas).

Conecte el cable negativo de la batería

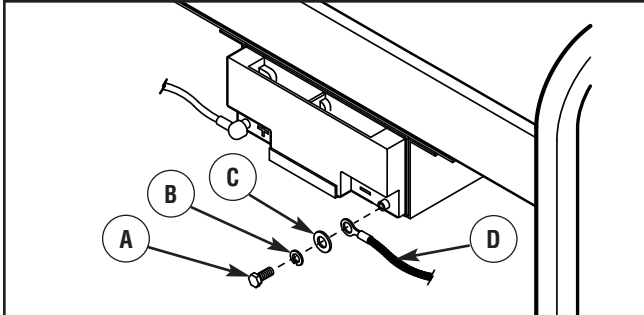
El arranque del generador se puede realizar manualmente. Si decide no utilizar la función de arranque eléctrico de este generador, no será necesario instalar la batería.

La batería sellada en el generador esta completamente cargada y ha sido pre-instalada, excepto por el cable negativo (negro) de batería.

⚠ ADVERTENCIA Las patillas de las baterías, los terminales y los accesorios relacionados contienen plomo y compuestos de plomo - sustancias químicas declaradas cancerígenas y causantes de malformaciones congénitas por el Estado de California. Lávese las manos después de manipular estos elementos.

Para instalar:

1. Corte el cablecito que está aguantando el cable negro, para poderlo usar.
2. Utilice una llave de cubo de 8 mm ou 5/16" para quitar el tornillo (A), arandela de cerradura (B) y arandelas de plano (C) en el terminal negativo de la batería.



3. Deslice la arandela de cerradura, arandelas de plano y el cable negativo de la batería (D) sobre el tornillo, como se muestra.
4. Reconecte la tornillo en el terminal negativo y apriétela.
5. Asegúrese que las conexiones a la batería y al generador están apretadas y aseguradas.

AVISO Si la batería está descargada, cárguela antes del uso conforme a las instrucciones de la sección *Cargador de batería*.

Agregar aceite al motor

1. Coloque la generador en una superficie plana y nivelada.
2. Limpie la zona de alrededor del orificio de llenado de aceite y quite el tapón amarillo.
3. Con la ayuda de un embudo (opcional), vierta lentamente el contenido de las dos botellas de aceite por el orificio de llenado hasta la marca "Full" de la varilla de medición.

AVISO El tratamiento inadecuado del generador podría dañarlo y acortar su vida productiva.

- NO procure acodar ni empezar el motor antes ha sido atendido a apropiadamente con el aceite recomendado. Esto podría tener como resultado una avería del motor.

4. Vuelva a colocar el tapón y apriételo firmemente.

Agregue combustible

El combustible debe reunir los siguientes requisitos:

- Gasolina sin plomo limpia y nueva.
- Un mínimo de 87 octanos/87 AKI (91 RON). Para uso a gran altitud, consulte *Gran altitud*.
- El motor admite gasolina con hasta un 10% de etanol (gasohol) o hasta un 15% de MTBE (éter metil terbutílico).

AVISO Evite el daño del generador.

El fracaso para seguir Manual de Operario para el combustible reccomendations garantía de vacíos.

- NO utilice gasolina no autorizada; por ejemplo, E85.
- NO mezcle aceite con gasolina.
- NO modifique el motor para hacerlo funcionar con otros combustibles.

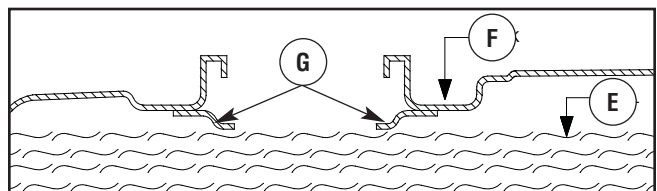
Para evitar la formación de carbonilla en el circuito de combustible, siempre que añada combustible, mézclelo con un estabilizador. Consulte *Almacenamiento*. No todos los combustibles son iguales. Si detecta problemas de arranque o de rendimiento después de utilizar un combustible, pruebe a cambiar de proveedor o de marca. Este motor está certificado para funcionar con gasolina. Su sistema de control de emisiones es EM (Modificaciones del motor).

▲ ADVERTENCIA El combustible y sus vapores son extremadamente inflamables y explosivos, lo que podría provocar quemaduras, incendios o explosiones; así como daños materiales, lesiones graves o incluso la muerte.

CUANDO ANADA COMBUSTIBLE

- DETENGA el motor del generador y déjelo enfriar durante al menos 2 minutos antes de quitar el tapón de combustible. Afloje la tapa lentamente para dejar que la presión salga del tanque.
- Llene el depósito de combustible a la intemperie.
- NO llene demasiado el tanque. Permita al menos espacio para la expansión del combustible.
- Si se ha derramado combustible, espere a que se evapore antes de arrancar el motor.
- Mantenga la combustible alejada de chispas, llamas abiertas, pilotos, calor y otras fuentes de ignición.
- Compruebe frecuentemente que las líneas de combustible, el tanque, el tapón y los accesorios no estén rotos o tengan fugas. Cámbielos si es necesario.
- NO encienda un cigarrillo o fume.

1. Limpie el área alrededor de la tapa de llenado del combustible, retire la tapa.
2. Añada lentamente gasolina sin plomo (E) al tanque de combustible (F). Tenga cuidado de que el nivel de combustible no rebase el límite (G). Esto permite dejar el espacio adecuado para que el combustible se expanda como se muestra.



3. Instale la tapa del tanque de combustible y la espera para algún combustible rociado para evaporar.

Gran altitud

En altitudes superiores a 1.524 metros (5.000 pies), se deberá utilizar gasolina con un mínimo de 85 octanos / 85 AKI (89 RON). Para seguir cumpliendo la normativa sobre emisiones, es necesario ajustar la unidad para su uso a gran altitud. De no realizarse este ajuste, el rendimiento se reducirá y el consumo de combustible y las emisiones aumentarán. Para obtener más información sobre el ajuste para gran altitud, consulte con un distribuidor cualificado de Briggs & Stratton. No se recomienda utilizar el motor a altitudes inferiores a 762 metros (2.500 pies) con el juego de gran altitud.

Tierra del sistema

El generador dispone de una conexión a tierra del sistema que conecta los componentes del bastidor a los terminales de tierra de los enchufes hembra de salida de CA. La tierra del sistema está conectada al cable de CA neutro que, a su vez, está conectado al bastidor del generador (el neutro está conectado al bastidor del generador).

Requisitos especiales

Es posible que haya normas u ordenanzas locales y nacionales en materia de seguridad e higiene en el trabajo aplicables al uso del generador. Consulte con un electricista cualificado, un inspector eléctrico o el organismo competente.

- En algunas zonas, es obligatorio registrar los generadores en las compañías eléctricas locales.
- Si el generador se utiliza en una obra, puede ser necesario cumplir normas y requisitos adicionales.

Conexión al sistema eléctrico de un edificio

Las conexiones a efectos de alimentación de reserva al sistema eléctrico de un edificio deben ser realizadas por un electricista cualificado. La conexión debe aislar la alimentación del generador de la alimentación de la red pública, o de otra fuente de energía alternativa, y debe cumplir todas las leyes y normas eléctricas vigentes.

⚠ ADVERTENCIA El voltaje del generador podría provocar descargas eléctricas o quemaduras, que pueden producir lesiones graves o la muerte.

- Utilice equipos de transferencia aprobados para evitar la retroalimentación al aislar el generador de las personas que trabajan con el suministro eléctrico.
- Si utiliza el generador como sistema de reserva, notifíquelo a la compañía eléctrica.
- Use un interruptor para la falla del circuito de tierra (GFCI) en cualquier área bastante húmeda o que sea altamente conductiva, tales como terrazas de metal o trabajo hecho con acero.
- NO toque los alambres pelados o receptáculos.
- NO use un generador con cables eléctricos que estén malgastados, rotos, pelados o dañados de cualquier forma.
- NO opere el generador bajo la lluvia.
- NO maneje el generador o cables eléctricos mientras esté parado en agua, descalzo o cuando las manos y los pies estén mojados.
- NO permita que personas descalificadas o niños operen o sirvan al generador.

Ubicación del generador

Espacio libre alrededor del generador

⚠ ADVERTENCIA Los gases y el calor de escape podrían inflamar los materiales combustibles y las estructuras o dañar el depósito de combustible y provocar incendios, así como daños materiales, lesiones graves o incluso la muerte.



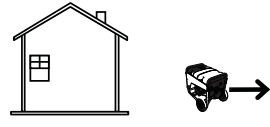
- Deje un espacio mínimo de 1.5 m (5 pies) alrededor del generador, incluida la parte superior.

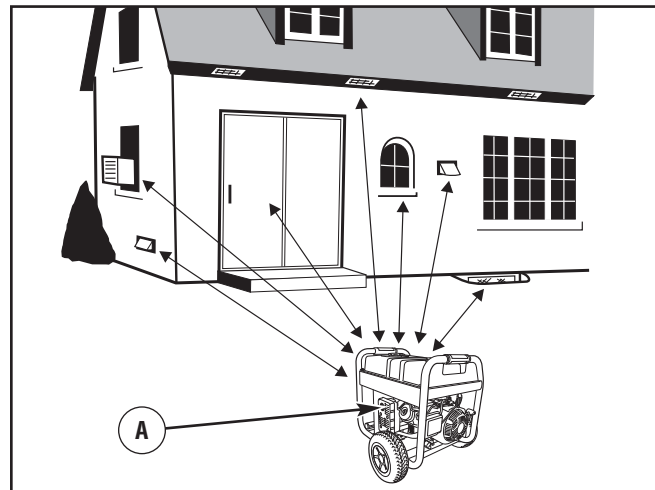
Coloque la generador a la intemperie en una zona en donde no se acumulen gases de escape mortales. NO instale el generador en lugares en los que los gases de escape (A) se puedan acumular o entrar en un edificio que pueda estar ocupado. Asegúrese de que los gases de escape no puedan entrar por ventanas, puertas, tomas de aire de ventilación u otras aberturas en un espacio cerrado en el que puedan acumularse. Tenga en cuenta los vientos y las corrientes de aire preponderantes cuando elija la ubicación del generador.

⚠ PELIGRO

El uso de un generador en un espacio interior PUEDE PROVOCAR LA MUERTE EN POCOS MINUTOS.

Los gases de escape del generador contienen monóxido de carbono, un veneno invisible e inodoro.

		
NUNCA utilice un generador en el interior de una casa o un garaje, AUNQUE haya ventanas y puertas abiertas.		Utilícelo solo en el EXTERIOR, alejado de ventanas, puertas y aberturas de ventilación.

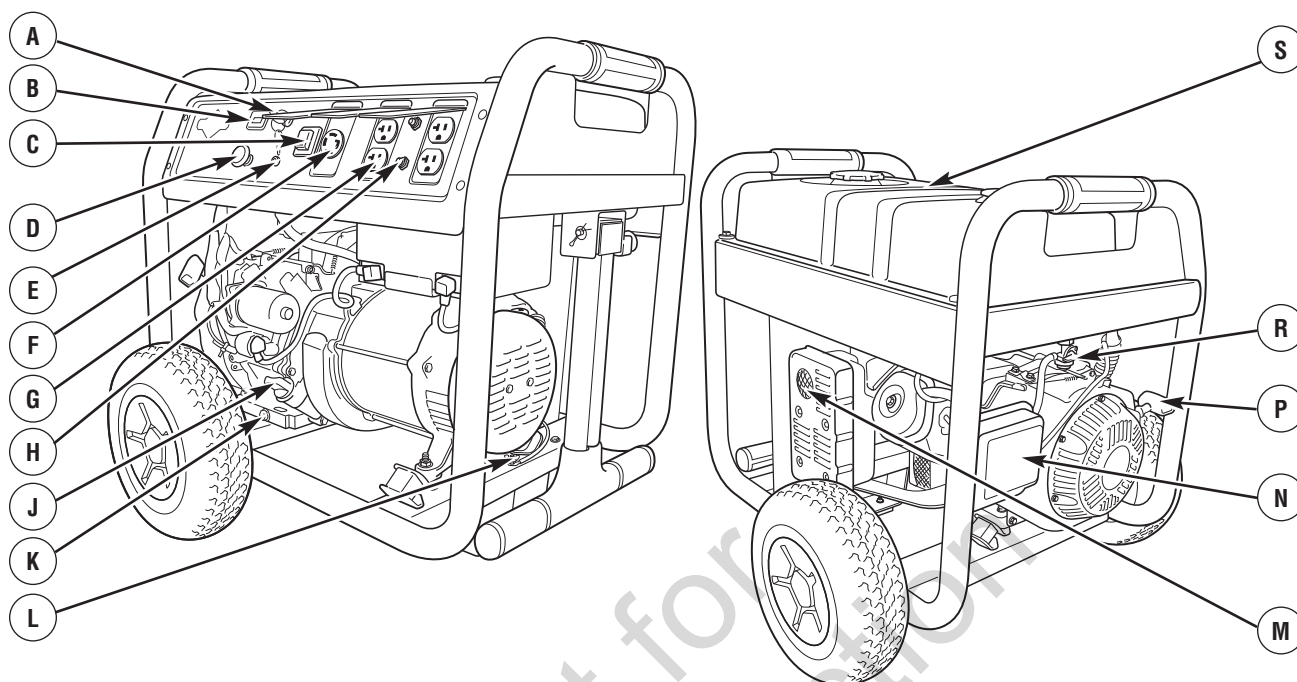


Controles y características



Lea este Manual del Operario y reglas de seguridad antes de poner en marcha su generador.

Compare las ilustraciones con su generador, para familiarizarse con la ubicación de los diversos controles y ajustes. Guarde este manual para futuras consultas.



A - Interruptor de arranque — Gire la llave a la posición arrancar (I) para arrancar el motor. Gire la llave a la posición apagado (O) para apagar el motor.

B - Contador de la Hora — Muestra y registra las horas que ha funcionado su generador (hasta 9,999.9).

C - Disyuntor bipolar — Las tomas bloqueables de 120/240 V CA de 30 A disponen de un disyuntor bipolar que protege el generador contra sobrecargas eléctricas.

D - Control del Estrangulador — Usada cuando se está dando arranque a un motor frío.

E - Cargador de Flotación de la Batería — Utilice el enchufe hembra del cargador de flotación de la batería para mantener la batería de arranque cargada y preparada para el uso.

F - Tomacorriente con Dispositivo de Seguridad de 120/240 Voltios, 30 Amp — Puede ser utilizado para suministrar alimentación eléctrica para el funcionamiento de cargas del motor, herramientas, aparatos especiales e iluminación eléctrica de 120 y/o 240 Voltios AC a 30 Amperios, monofásica de 60 Hz.

G - Tomacorriente Dobles de 120 Voltios AC, 20 Amp — Pueden ser utilizados para suministrar alimentación eléctrica para el funcionamiento de cargas del motor, herramientas, aparatos especiales e iluminación eléctrica de 120 Voltios AC a 20 Amperios, monofásica de 60 Hz.

H - Disyuntores (CA) — La toma doble de 120 V CA de 20 A disponen de disyuntores de rearme por presión que protegen el generador contra sobrecargas eléctricas.

J - Tapón de llenado/varilla de nivel de aceite — Compruebe y añada aceite de motor aquí.

K - Tapón de vaciado de aceite — Permite vaciar el aceite del motor.

L - Conector de Tierra — Consulte con el organismo responsable de la normativa vigente de conexión a tierra.

M - Silenciador Apagachispas — El silenciador disminuye el ruido del motor y está equipado con una pantalla apagachispas.

N - Depurador de Aire — Filtra el aire de entrada a medida que penetra en el motor.

P - Culatazo el Principio — Usó para comenzar motor manualmente.

R - Válvula de Combustible — Permite abrir y cerrar la alimentación de combustible al motor.

S - Tanque del Combustible — El tanque tiene una capacidad de 7 galones americanos (26,5 l) de gasolina sin contenido de plomo.

No mostrado:

Identificación del Motor — Indica el modelo, tipo y código del motor. Tenga por favor estos prontamente disponible cuándo llamar para la ayuda.

Etiqueta de Identificación — Proporciona el modelo, revisión y el número de serie de generador. Tenga por favor estos prontamente disponible cuándo llamar para la ayuda.

Juegos de cordones y enchufes conectores

Utilice únicamente cables prolongadores de alta calidad, bien aislados y conectados a tierra con las tomas del generador. Examine los cables prolongadores antes de cada uso.

Examine los valores nominales de los cables prolongadores antes de utilizarlos. Los juegos de cables prolongadores utilizados deben tener valores nominales para cargas de CA de 20 A o mayores para 125 V. Consulte los manuales del operario de dispositivos a los que se les suministra energía, para conocer las recomendaciones del fabricante.

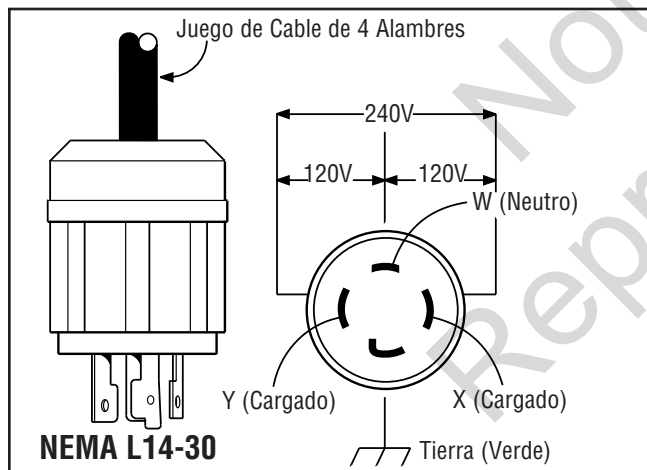
Utilice cables prolongadores de la menor longitud posible para reducir al mínimo la caída de tensión.

⚠ ADVERTENCIA Los cables eléctricos dañados o sobrecargados podrían sobrecalentarse y producir arcos y quemaduras, lo que provocaría daños materiales, lesiones graves o incluso la muerte.

- Utilice exclusivamente cables regulados para las cargas aplicadas.
- Respete todas las medidas de seguridad de los cables eléctricos.
- Examine los juegos de cables antes de cada uso.

Dispositivo de seguridad de 120/240 V, 30 A

Use un tapón NEMA L14-30 con este receptáculo. Conecte un juego de cable de 4 alambres, clasificado como 250 Voltios AC a 30 Amps (o mayor). Usted puede usar el mismo cable de 4-alambres si planea trabajar con una carga de 120 Voltios.



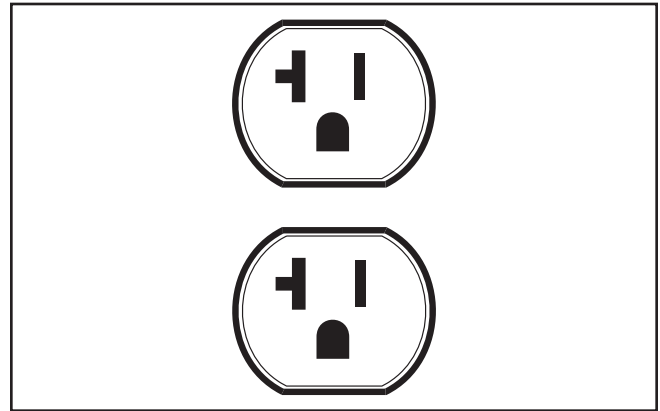
Este receptáculo le provee poder a cargas de 120/240 Voltios AC, de 60 Hz, fase sencilla, que requieren hasta 3,600 vatios de energía a 30 Amperios, para 120 Voltios; 7,200 vatios de energía (7.2 kW) a 30 Amperios para 240 Voltios. El enchufe está protegido contra sobrecargas por un disyuntor basculante.

AVISO Las tomas eléctricas pueden marcar un valor nominal mayor que la capacidad de salida del generador.

- NUNCA intente conectar un dispositivo que requiera más amperaje del que el generador o la toma eléctrica pueden suministrar.
- NO sobrecargar el generador. Véase *No sobrecargar el generador*.

Tomas eléctricas dobles de 120 V CA y 20 A

El enchufe está protegido contra sobrecargas por un disyuntor con pulsador de rearme.

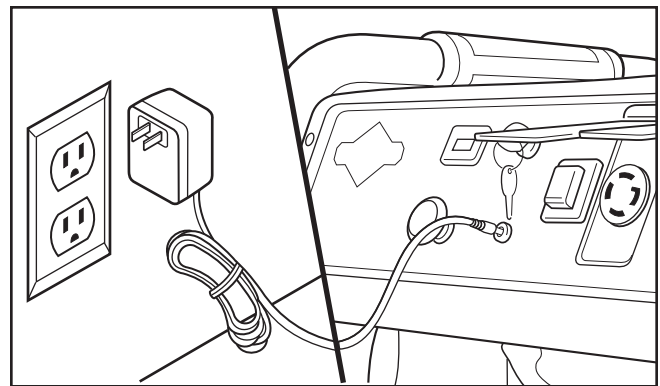


Use cada receptáculo para operar 120 Voltios AC, de fase sencilla, de cargas de 60Hz que requieren hasta 2,400 vatios (2.4 kW) a corrientes de 20 Amps. Use los juegos de cables que son calificados para cargas de 125 Voltios AC, a 20 Amps (o mayores).

Cargador de batería

Utilice el enchufe hembra del cargador de flotación (carga lenta y continua) de la batería para mantener la batería de arranque cargada y preparada para el uso. La carga de la batería se debe realizar en un lugar seco, como el interior de un garaje.

1. Conecte el cargador al enchufe hembra "Battery Float Charger" (Cargador de flotación de la batería) de la unidad, que se encuentra en el interruptor de arranque. Enchufe el cargador de la batería a una toma de pared de 120 V CA.



2. Desconecte el cargador de la unidad y del enchufe de la pared durante el arranque del generador y mientras esté funcionando.
3. Mantenga el cargador enchufado cuando el generador no se esté utilizando, para prolongar la vida de la batería. El cargador incorpora un ecualizador de flotación que impide la sobrecarga de la batería, incluso aunque esté enchufado durante un largo periodo de tiempo.

AVISO Para obtener más información al respecto, consulte *Mantenimiento de la Batería*.

Operando

Encienda el motor

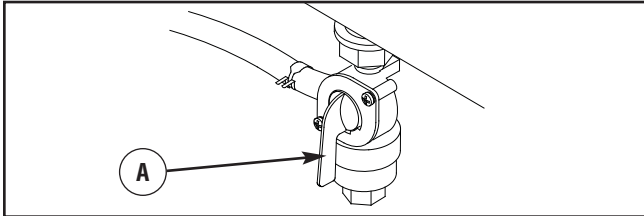
AVISO Desenchufe siempre el cargador de flotación de la batería antes de arrancar el generador.

Desconecte todas las cargas eléctricas del generador. Use las siguientes instrucciones para encender:

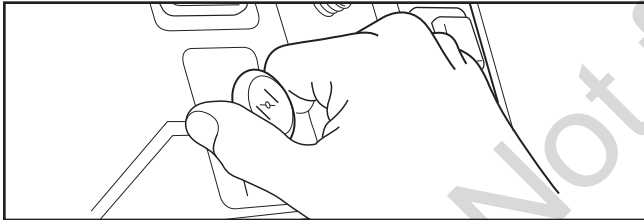
1. Asegúrese de que la unidad está en una superficie plana.

AVISO Si la unidad no se arranca y utiliza en una superficie plana, se pueden producir problemas de arranque y de parada durante el funcionamiento.

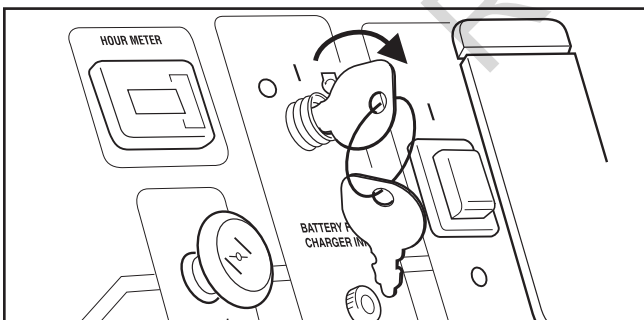
2. Gire la válvula del combustible (A) a la posición "On".



3. Tire hacia fuera del tirador del estrangulador para cerrar el estrangulador.



- 4A. **Para el arrancado eléctrico**, gire y deje la llave en el interruptor de arranque en la posición de arranque (I) hasta que el generador empiece a funcionar. Para prolongar la vida de los componentes del sistema de arranque, NO deje la llave en la posición de arranque (I) durante más de 15 segundos y realice pausas de al menos 1 minuto entre intentos.



- Si el motor arranca, continúe con el paso 6.
- Si el motor no arranca, proceda con el paso 5.

AVISO Si la batería se descarga, siga las instrucciones manuales de arrancado.

- 4B. **Para el arranque manual**, gire la llave en el interruptor de arranque a la posición funcionamiento (I), sujete el tirador de retroceso y tire lentamente hasta sentir una ligera resistencia. Entonces tire rápidamente una sola vez para arrancar el motor.

- Si el motor arranca, continúe con el paso 6.
- Si el motor no arranca, proceda con el paso 5.

⚠ ADVERTENCIA El retroceso (repliegue rápido) del cable del arrancador impedirá que el usuario suelte el cable a tiempo y tirará de su mano y brazo hacia el motor, lo que podría provocar fracturas, contusiones o esguinces; así como lesiones graves.

- Cuando arranque el motor, tire lentamente del cable hasta sentir una resistencia y, a continuación, tire rápidamente de él para evitar su retroceso.
- NUNCA arranque o pare el motor cuando haya aparatos eléctricos conectados y en funcionamiento.

5. Presione el tirador del estrangulador hasta la posición intermedia, gire la llave en el interruptor de arranque a la posición funcionamiento (I) y tire dos veces del tirador de retroceso o gire y deje la llave en el interruptor de arranque en la posición arranque (I) como se describe en el paso 4A.

- Si el motor no arranca, repita los pasos desde 3 hasta 4.

6. Abra el estrangulador poco a poco, presionando su tirador a medida que el motor se calienta.

AVISO Si el motor se ahoga, presione el tirador del estrangulador hasta que quede totalmente dentro e intente arrancar el motor hasta conseguirlo.

AVISO Si el motor arranca después de tirar tres veces del arrancador pero no sigue funcionando, o si la unidad se para en funcionamiento, asegúrese de que la unidad está en una superficie plana y compruebe que el nivel de aceite del cigüeñal es correcto. La unidad puede equiparse con un dispositivo de protección de bajo nivel de aceite. En caso afirmativo, el nivel del aceite debe ser adecuado para que el motor arranque.

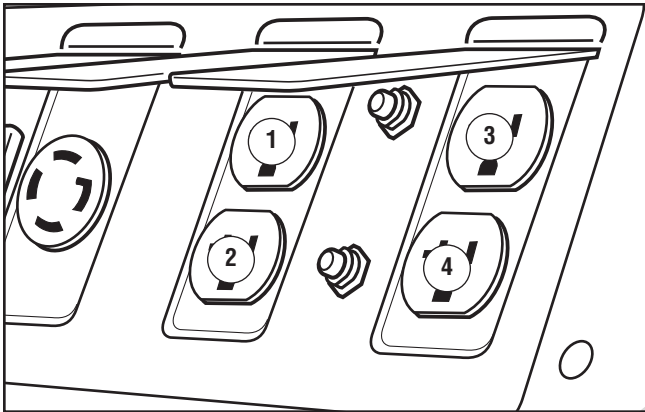
⚠ ADVERTENCIA Los gases y el calor de escape podrían inflamar los materiales combustibles y las estructuras o dañar el depósito de combustible y provocar incendios, así como daños materiales, lesiones graves o incluso la muerte. El contacto con la zona del silenciador podría producir quemaduras y lesiones graves.

- NO toque las superficies calientes y EVITE los gases del escape a alta temperatura.
- Permita que el equipo se enfríe antes de tocarlo.
- Deje un espacio mínimo de 1.5 m (5 pies) alrededor del generador, incluida la parte superior.
- Utilizar el motor en un terreno boscoso, con maleza o cubierto de hierba constituye una infracción al Código de recursos públicos de California, a menos que el sistema de escape esté equipado con una pantalla apagachispas, de acuerdo a la definición de la Sección 4442, que se mantenga en buenas condiciones de funcionamiento. En otros estados o jurisdicciones federales puede haber leyes similares en vigor. Póngase en contacto con el fabricante, el vendedor o el distribuidor del equipo original para obtener una pantalla apagachispas diseñada para el sistema de escape instalado en este motor.
- Las piezas de recambio deben ser las mismas que las piezas originales y estar instaladas en la misma posición.

Conexión de cargas eléctricas

1. Deje que el motor se estabilice y se caliente por dos minutos después del arranque.
2. Asegúrese de que el disyuntor del panel de control esté en la posición encienda (I).
3. Enchúfelo y encienda la carga eléctrica deseada (120 y/o 240 V CA, monofásico, 60 Hz.)

AVISO Al tapar en los 120 Voltio receptáculos, los artículos del tapón para ser enchufados en la sucesión mostrada abajo.



AVISO

- NO conectar cargas de 240 V en las tomas eléctricas dobles.
- NO conectar cargas trifásicas al generador.
- NO conectar cargas de 50 Hz al generador.
- NO SOBRECARGAR EL GENERADOR. Véase *No sobrecargar el generador*.

AVISO El sobrepasar la capacidad del amperaje y vataje del generador, puede dañar al generador y los aparatos eléctricos conectados al mismo.

- NO sobrecargar el generador. Véase *No sobrecargar el generador*.
- Encienda su generador y deje que el motor se estabilice antes de conectar las cargas eléctricas.
- Conecte las cargas eléctricas en la posición de apagado (OFF), luego encienda (ON) para su operación.
- Apague (OFF) las cargas eléctricas y desconéctelas del generador antes de parar el generador.

Parada del motor

1. Desconecte **todas** las cargas eléctricas de los tomacorrientes del panel del generador. NUNCA de arranque o detenga el motor con todos los dispositivos eléctricos conectados y encendidos.
2. Deje que el motor funcione sin cargas por algunos minutos para estabilizar las temperaturas internas del motor y el generador.
3. Gire la llave en el interruptor de arranque a la posición apagado (O).

⚠ ADVERTENCIA El combustible y sus vapores son extremadamente inflamables y explosivos, lo que podría provocar quemaduras, incendios o explosiones; así como daños materiales, lesiones graves o incluso la muerte.

- NO coloque el estrangulador en la posición estrangulamiento (I\I) para parar el motor.

4. Gire la válvula de combustible hasta la posición "Off".

Apagado debido a nivel bajo de aceite

Si el nivel de aceite del motor cae por debajo del nivel predeterminado, el interruptor de nivel de aceite detiene el motor. Compruebe el nivel de aceite con la varilla.

Si el nivel de aceite está entre las marcas ADD (Añadir) y FULL (Lleno) de la varilla:

- NO intente volver a arrancar el motor.
- Póngase en contacto con un distribuidor autorizado de servicio Briggs & Stratton.
- NO ponga a funcionar el motor sino hasta que se haya corregido el nivel de aceite.

Si el nivel de aceite está por debajo de la marca ADD (Añadir) de la varilla:

- Añada aceite hasta llegar a la marca FULL (Lleno).
- Ponga de nuevo en marcha el motor. Si vuelve a pararse, puede que siga existiendo un problema de baja presión de aceite. NO intente volver a arrancar el motor.
- Póngase en contacto con un distribuidor autorizado de servicio Briggs & Stratton.
- NO ponga a funcionar el motor sino hasta que se haya corregido el nivel de aceite.

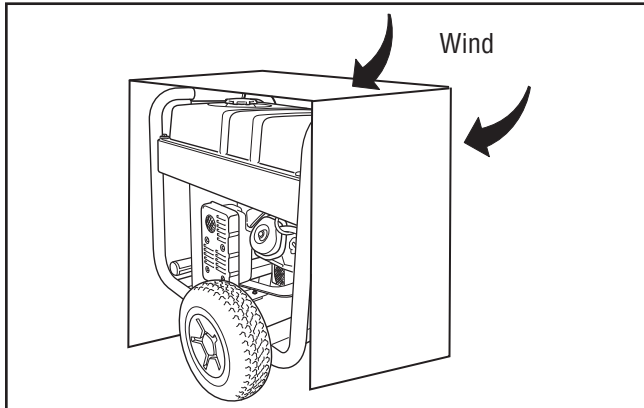
Operación durante un clima frío

En ciertas condiciones climáticas (temperaturas inferiores a 4° C [40° F] combinadas con un alto nivel de humedad), su generador puede experimentar formación de hielo en el carburador o el sistema de ventilación del cárter. Para reducir este problema, es necesario realizar lo siguiente:

1. Asegúrese de que el generador tenga combustible nuevo y limpio.
2. Abra la válvula de combustible (gire la válvula a la posición de abierto).
3. Utilice aceite 5W-30 SAE.
4. Verifique el nivel de aceite diariamente o después de cada ocho (8) horas de funcionamiento.
5. Mantenga el generador que sigue el *Plan de Mantenimiento*.
6. Proteja la unidad de la intemperie.

Creación de una estructura de protección provisional para climas fríos

1. Para estructura de protección provisional, utilice la caja de cartón de embalaje original.
2. Corte las tapas superiores y uno de los laterales largos de la caja de cartón para dejar al descubierto el lado del silenciador de la unidad. Si es necesario, sujete con cinta adhesiva los otros laterales de la caja de forma que queden sobre el generador, como se muestra.



AVISO Si es necesario, quite el juego de ruedas para que el cartón cubra el generador, como se muestra.

3. Haga los recortes necesarios para poder acceder a las tomas de la unidad.
4. Coloque el lado expuesto protegido del viento y demás agentes atmosféricos.
5. Ubique el generador como se describe en la sección *Ubicación del generador*. Evite que los gases de escape entren en un espacio cerrado a través de las ventanas, puertas, tomas de aire de ventilación u otras aberturas.

⚠ ADVERTENCIA Al motor funcionar, se produce monóxido de carbono, un gas inodoro y venenoso. La inhalación de monóxido de carbono puede provocar lesiones graves, dolor de cabeza, fatiga, mareos, vómitos, confusión, convulsiones, náuseas, desmayos o incluso la muerte.

- Utilice este producto SÓLO a la intemperie.
- Instale una alarma de monóxido de carbono con batería cerca de los dormitorios.
- Asegúrese de que los gases de escape no puedan entrar por ventanas, puertas, tomas de aire de ventilación u otras aberturas en un espacio cerrado en el que puedan acumularse.
- NO utilice este producto en el interior de un edificio, cochera, porche, equipo móvil, taller de aplicaciones navales o recinto, aunque haya ventanas y puertas abiertas.

6. Arranque el generador como se describe en la sección *Arranque del motor* y cúbralo con la caja de cartón. Deje un espacio mínimo de 1.5 cm (5 pies) alrededor del generador, incluida la parte superior de la estructura de protección.

⚠ ADVERTENCIA Los gases y el calor de escape podrían inflamar los materiales combustibles y las estructuras o dañar el depósito de combustible y provocar incendios, así como daños materiales, lesiones graves o incluso la muerte.

El contacto con la zona del silenciador podría producir quemaduras y lesiones graves.

- NO toque las superficies calientes y EVITE los gases del escape a alta temperatura.
- Permita que el equipo se enfríe antes de tocarlo.
- Deje un espacio mínimo de 1.5 m (5 pies) alrededor del generador, incluida la parte superior.
- Retire la protección cuando las temperaturas sean superiores a 4 °C (40 °F).

7. Retire la protección cuando las temperaturas sean superiores a 4 °C (40 °F).
8. Pare el motor y déjelo enfriar durante dos (2) minutos antes de repostar combustible. La espera para algún combustible rociado para evaporar.

Construcción de una estructura de protección para climas fríos

1. Construya una estructura de protección capaz de contener tres laterales y la parte superior del generador. Utilice para ello materiales no combustibles con una resistencia al fuego de al menos una hora. Asegúrese de que el lateral del silenciador del generador quede al descubierto.

AVISO Póngase en contacto con su proveedor de materiales de construcción para conseguir materiales no combustibles con una resistencia al fuego de al menos una hora.

AVISO Asegúrese de que la estructura de protección se pueda mover fácilmente para adaptarla a la dirección del viento.

2. NO encierre el generador más de lo que se muestra en la figura. La estructura de protección debe mantener una cantidad suficiente del calor disipado por el generador para evitar problemas de congelación.

AVISO Si se ha montado un juego de ruedas en el generador, amplíe la estructura de protección.

3. Siga los pasos del 3 al 8 descritos en la sección *Creación de una estructura de protección provisional para climas fríos*.

No sobrecargar el generador

Capacidad

Debe asegurarse de que su generador puede proveer los suficientes vatios de potencia continua (vatiaje nominal) y vatios de salida para los elementos que desee alimentar al mismo tiempo. Siga estos sencillos pasos:

1. Seleccione los elementos que quiere alimentar al mismo tiempo.
2. Sume la potencia nominal de esos elementos. Esa es la cantidad de energía que su generador debe producir para mantener sus elementos en funcionamiento. Consulte la tabla de la derecha.
3. Calcule cuántos vatios de salida necesitará. La potencia de salida se refiere al corto arranque de energía que se necesita para arrancar herramientas o dispositivos a motor, como una radial o un refrigerador. Como no todos los motores arrancan al mismo tiempo, el total de vatios de salida puede calcularse añadiendo sólo el elemento con la potencia de salida más alta al total de vatios de potencia continua que obtuvimos en el paso 2.

Ejemplo:

Herramienta o aparato eléctrico	Vatios de funcionamiento (potencia nominal)	Vatios de arranque (pico) adicionales
Bomba del pozo de agua	1200	2100
Frigorífico	700	2200
Ventilador del horno	800	2350
Televisión	500	—
Luz (75 vatios)	75	—
	Total de vatios de funcionamiento: 3.275	Máximo de vatios de arranque: 2.350

Vatios de potencia continua totales = 3275

Potencia de salida adicional más alta = 2350

Salida total del generador requerida = 5625

Control de la energía

Para prolongar la vida de su generador y los aparatos que conecte a él, es muy importante tener cuidado cuando se le añaden cargas eléctricas. No deber haber nada conectado a las tomas del generador antes de encender el motor. El modo seguro y correcto de gestionar la energía del generador es añadir las cargas secuencialmente, como se indica a continuación:

1. Sin tener nada conectado al generador, encienda el motor tal como se describe en este manual.
2. Conecte y encienda la primera carga, preferiblemente la mayor que usted tenga.
3. Permita que la salida del generador se estabilice (el motor funciona suavemente y el aparato funciona adecuadamente).
4. Conecte y encienda la próxima carga.
5. De nuevo, permita que el generador se estabilice.

6. Repita los pasos 4 y 5 para cada carga adicional que usted tenga.

NUNCA añada cargas que sobrepasen la capacidad del generador. Tenga especial cuidado en contar con las cargas adicionales en la capacidad del generador, como se describe arriba.

GUÍA DE REFERENCIA DE POTENCIA EN VATIOS		
Herramienta o aparato eléctrico	Nivel nominal* (en funcionamiento) de vatios	Nivel adicional (de arranque) de vatios
Artículos básicos		
Luz (75 vatios)	75	—
Ventilador del horno - 1/2 hp	800	2350
Bomba de sentina- 1/3 hp	800	1300
Refrigerador/congelador	700	2200
Bomba para pozo de agua - 1/2 hp	1000	2100
Sistema de calefacción/enfriamiento		
Ventana con AC - 10,000 BTU	1200	3600
Humidificador - 49 l (13 gal)	175	—
Aire acondicionado central - 24.000 BTU	3800	11400
Cocina		
Horno de microondas - 1000 vatios	1000	—
Cafetera	1000	—
Estufa eléctrica - 8" pieza	2100	—
Tostadora	850	—
Estancia		
Reproductor de DVD/CD	100	—
VCR	100	—
Receptor de estéreo	450	—
Televisión a color - 27 pulg.	500	—
Computadora personal con monitor de 17 pulg.	800	—
Otros		
Sistema de seguridad	500	—
Radio reloj AM/FM	100	—
Control automático para puerta de cochera - 1/2 hp	875	2350
Calentador eléctrico de agua	4700	11700
Taller/lugar de trabajo		
Lámpara halógena de cuarzo para trabajo	1000	—
Atomizador sin aire - 1/3 hp	600	1200
Sierra recíprocante	960	—
Taladro eléctrico - 1/2 hp	600	900
Sierra circular - 7 - 1/4 pulg.	1400	2300
Sierra ingletadora - 10 pulg.	1800	1800
Aplanadora de tablas - 6 pulg.	1800	1800
Sierra de mesa/sierra de brazo radial - 10 pulg.	2000	2000
Compresor de aire - 1 hp	1600	4500

*La potencia que aparece en la lista es aproximada.

Compruebe la herramienta o aparato eléctrico para obtener la potencia real.

Español

es

Mantenimiento

Plan de mantenimiento

Siga los intervalos de horas o de calendario, los que sucedan antes. Si opera en condiciones adversas (señaladas más abajo) es necesario un mantenimiento más frecuente.

Primeras Cinco (5) Horas
<ul style="list-style-type: none">• Cambie el aceite del motor
Cada 8 horas o diario
<ul style="list-style-type: none">• Limpie los residuos• Compruebe el nivel de aceite
Cada 25 horas o una vez al año
<ul style="list-style-type: none">• Limpie el filtro de aire del motor¹
Cada 50 horas o una vez al año
<ul style="list-style-type: none">• Cambie el aceite del motor¹
Anualmente
<ul style="list-style-type: none">• Sustituya el filtro de aire del motor¹• Servicio a la válvula de combustible• Servicio a la bujía• Inspeccione el silenciador y la pantalla apagachispas• Limpie el sistema de refrigeración¹

¹ Servicio más a menudo bajo condiciones de suciedad o polvo.

Recomendaciones generales

El mantenimiento periódico mejorará el rendimiento y prolongará la vida útil del generador. Acuda a un distribuidor autorizado para reparar la unidad.

La garantía del generador no cubre los elementos que hayan sido sujetos al abuso o negligencia del operador. Para recibir el valor completo de la garantía, el operador deberá mantener el generador de la forma descrita en este manual.

Se deberán llevar a cabo algunos ajustes periódicamente para mantener correctamente su generador.

Todos los ajustes de la sección Servicio y Ajustes de este manual deberán ser hechos por lo menos una vez en cada estación. Cumpla con los requisitos de la tabla Plan de Mantenimiento descrita anteriormente.

AVISO Una vez al año deberá limpiar o reemplazar la bujía y reemplazar el filtro de aire. Una bujía nueva y un filtro de aire limpio garantizan una mezcla de combustible-aire adecuada y ayuda a que su motor funcione mejor y tenga una vida útil más prolongada.

Control de emisiones

Cualquier establecimiento o individuo especializado en la reparación de motores que no sean de automoción puede encargarse del mantenimiento, la sustitución y la reparación de los dispositivos y sistemas de control de emisiones. No obstante, para realizar la revisión gratuita de control de emisiones, deberá acudir a un distribuidor autorizado por el fabricante. Véase *Garantía de emisiones*.

Mantenimiento del generador

El mantenimiento del generador consiste en conservar la unidad limpia y seca. Opere y almacene la unidad en un ambiente limpio y seco donde no será expuesta al polvo, suciedad, humedad o vapores corrosivos. Las ranuras del aire de enfriamiento del generador no deben estar tapadas con nieve, hojas, o cualquier otro material extraños.

AVISO NO utilice agua u otros líquidos para limpiar el generador. Los líquidos pueden penetrar en el circuito de combustible del motor y provocar pérdidas de rendimiento o fallos. Asimismo, si penetran líquidos en el generador a través de las ranuras del aire de refrigeración, parte del líquido puede permanecer en los huecos y rendijas del aislamiento del devanado del rotor y del estator. El líquido y la acumulación de suciedad en los devanados internos del generador pueden reducir la resistencia del aislamiento.

Limpieza

Limpie a diario, o antes de cada uso, los residuos acumulados en el generador. Mantenga limpias las conexiones, los muelles y los mandos. Limpie todo resto de combustible de la zona que rodea al silenciador y de detrás del mismo. Inspeccione las ranuras para aire de enfriamiento y la apertura del generador. Estas aperturas deberán mantenerse limpias y despejadas.

Mantenga limpios los componentes del generador para reducir el riesgo de sobrecalentamiento e ignición de los residuos acumulados.

- Utilice un trapo húmedo para limpiar las superficies exteriores.

AVISO Un tratamiento inadecuado de la generador podría dañarla y acortar su vida útil.

- NO exponga al generador a una humedad excesiva, polvo, suciedad o vapores corrosivos.
- NO inserte cualquier objeto a través de las ranuras de enfriamiento.
- Puede usar un cepillo de cerdas suaves para retirar la suciedad endurecida, aceite, etc.
- Puede usar una máquina aspiradora para eliminar suciedad y residuos sueltos.

Mantenimiento de la batería

La batería inicial no requiere ningún mantenimiento a excepción de la carga de flotación, que se describe en otro apartado. Mantenga la batería y los terminales limpios y secos.

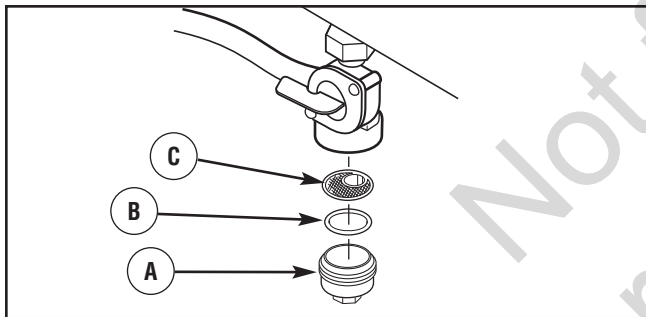
AVISO La carga de la batería se debe realizar en un lugar seco, como el interior de un garaje.

⚠ ADVERTENCIA Las patillas de las baterías, los terminales y los accesorios relacionados contienen plomo y compuestos de plomo - sustancias químicas declaradas cancerígenas y causantes de malformaciones congénitas por el Estado de California. Lávese las manos después de manipular estos elementos.

Mantenimiento de la válvula de combustible

La válvula de combustible está equipada con un recipiente para sedimentos, un filtro, y una junta tórica que deben limpiarse.

1. Sitúe la válvula de combustible en la posición "Off".
2. Extraiga el recipiente para sedimentos (A) de la válvula de combustible. Retire la junta tórica (B) y el filtro de la válvula (C).



3. Lave el recipiente para sedimentos, la junta tórica y el filtro con disolvente no inflamable. Séquelos perfectamente.
4. Sitúe el filtro y la junta tórica en la válvula de combustible. Instale el recipiente para sedimentos y apriételo firmemente.
5. Sitúe la válvula de combustible en la posición "On" y compruebe si hay fugas. En caso afirmativo, sustituya la válvula de combustible.

Mantenimiento del motor

⚠ ADVERTENCIA Las chispas involuntarias podrían provocar incendios o electrocución que pueden provocar lesiones graves o la muerte.

CUANDO AJUSTE O HAGA REPARACIONES A SU MÁQUINA GENERADOR

- Siempre desconecte el alambre de la bujía y colóquelo donde no pueda entrar en contacto con la bujía.

CUANDO PRUEBE LA BUJÍA DEL MOTOR

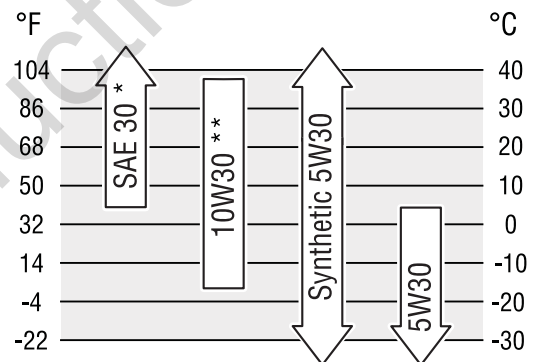
- Utilice un comprobador de bujías homologado.
- NO compruebe la chispa sin la bujía instalada.

Aceite

Recomendaciones sobre el aceite

Para obtener el mejor rendimiento, recomendamos utilizar aceites certificados con garantía Briggs & Stratton. También se pueden utilizar otros aceites detergentes de alta calidad con clasificación de servicio SF, SG, SH, SJ o superior. NO utilice aditivos especiales.

Las temperaturas exteriores determinan la viscosidad adecuada del aceite para el motor. Utilice el cuadro para seleccionar la mejor viscosidad para el intervalo de temperatura exterior previsto.



* Por debajo de 4 °C (40 °F), el uso de aceite SAE 30 provocará dificultades de arranque.

** Por encima de 27 °C (80 °F) el uso de aceite 10W30 puede aumentar el consumo de aceite. Compruebe el nivel de aceite con mayor frecuencia.



AVISO Todo aceite sintético que cumpla las especificaciones ILSAC GF-2, con marca de certificación API y con símbolo de servicio API (se muestra a la izquierda) con "SJ/CF ENERGY CONSERVING" o superior es un aceite aceptable a todas las temperaturas. El uso de aceite sintético no altera los intervalos de cambio de aceite indicados.

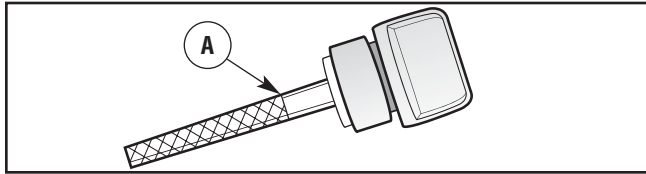
Comprobación del Nivel de Aceite

Compruebe el nivel de aceite antes de cada uso o cada 8 horas de funcionamiento, como mínimo. Rellene si es necesario.

1. Coloque el generador sobre una superficie nivelada.
2. Retire la varilla de medición y limpie la varilla de medición. Instale el varilla de medición. Quite y verifique nivel del aceite.

AVISO NO enrosque la varilla de nivel de aceite cuando la inserte para comprobar el nivel de aceite.

3. Compruebe que el aceite hasta la marca "Full" (A) de la varilla de medición. Instale el varilla de medición, apriete firmemente.



Adición de Aceite del Motor

1. Coloque el generador sobre una superficie nivelada.
2. Compruebe el nivel de aceite tal como se indica en la sección *Comprobación del nivel de aceite*.
3. Si es necesario, vierta lentamente aceite por el orificio de llenado hasta la marca "Full" de la varilla de medición. NO llene excesivamente.

AVISO El llenado de aceite en exceso podría impedir el arranque del motor o provocar dificultades de arranque.

- NO llene en exceso.
- Si el nivel de aceite está por encima de la marca FULL (LLENO) de la varilla, vacíe aceite para reducir el nivel hasta la marca FULL (LLENO) de la varilla.

4. Instale el varilla de medición, apriete firmemente.

Cambio de Aceite del Motor

Si está utilizando su generador bajo condiciones de extrema suciedad o polvo, o en un clima demasiado caliente, haga el cambio de aceite más frecuentemente.

⚠ PRECAUCIÓN Evite el contacto prolongado o repetido de piel con aceite usado de motor.

- El aceite usado del motor ha sido mostrado al cáncer de la piel de la causa en ciertos animales del laboratorio.
- Completamente lavado expuso áreas con el jabón y el agua.



MANTENER FUERA DEL ALCANCE DE LOS NIÑOS. NO CONTAMINE. CONSERVE LOS RECURSOS. DEPOSITE EL ACEITE USADO EN UN PUNTO DE RECOGIDA.

Cambie el aceite cuando el motor siga estando caliente después de haber funcionado:

1. Asegúrese de que la unidad esté en una superficie plana.
2. Desconecte el cable de la bujía de esta y colóquelo donde no pueda entrar en contacto con la bujía.

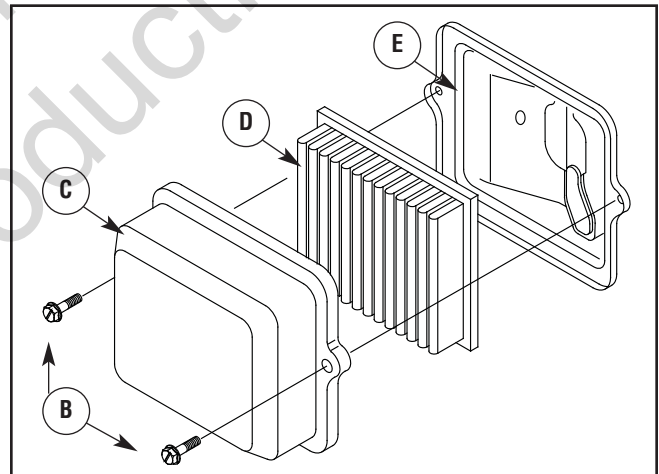
3. Limpie la zona de alrededor del tapón de vaciado de aceite, situado en la base del motor, al otro lado del carburador.
4. Quite el tapón de llenado de aceite y vacíe todo el aceite en un recipiente adecuado.
5. Vuelva a colocar el tapón de vaciado y apriételo bien. Quite la varilla de nivel de aceite.
6. Vierta lentamente unos 1,0 litros (36 onzas) de aceite por el orificio. Deposite el aceite recomendado hasta la marca "Full" de la varilla de medición.
7. Limpie la varilla de medición cada vez nivel del aceite se verifica. NO añada aceite en exceso.
8. Instale la varilla de medición, apriete firmemente.
9. Limpie los residuos de aceite.

Servicio del depurador de aire

Si se utiliza con un filtro de aire sucio, el motor no funcionará correctamente y puede sufrir daños. Límpielo o reemplácelo más a menudo si la unidad funciona bajo condiciones de suciedad o polvo excesivo.

Para dar servicio al filtro de aire, siga los pasos que se detallan a continuación:

1. Afloje los tornillos (B) y quite aire la cubierta más limpia (C).

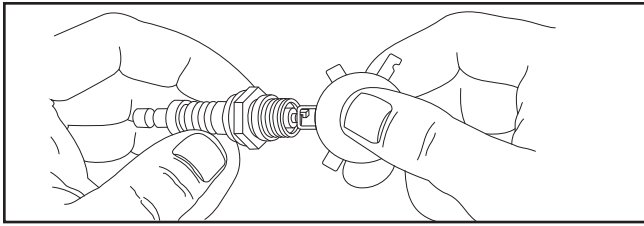


2. Con cuidado quite cartucho (D) de base (E).
3. Instale limpie (o nuevo) aire la asamblea más limpia dentro de la cubierta. Deshágase del filtro viejo apropiadamente.
4. Arme la cubierta más limpia aérea en la base y apriete los tornillos.

Servicio del bujía

Cambie la bujía ayudará a su motor a arrancar más fácilmente y funcionar mejor.

1. Limpie la zona de alrededor de la bujía.
2. Retire e inspeccione la bujía.
3. Compruebe la separación del electrodo con un calibrador de alambre y ajuste el espacio de la bujía a la medida recomendada si fuera necesario (véase *Especificaciones*).



4. Cambie la bujía si los electrodos están picados o quemados o si la porcelana está agrietada. Utilice la bujías de repuesto recomendada. Consulte *Especificaciones*.
5. Instale la bujía y apriete firmemente.

Inspeccione el silenciador y la pantalla apagachispas

Inspeccione que el silenciador no presente fisuras, corrosión u otros daños. Desmonte la pantalla apagachispas, si cuenta con una, y verifique que no presente daños ni obstrucción por carbón. En caso de que se necesiten piezas de recambio, asegúrese de usar solamente piezas de recambio originales para el equipo.

⚠ ADVERTENCIA



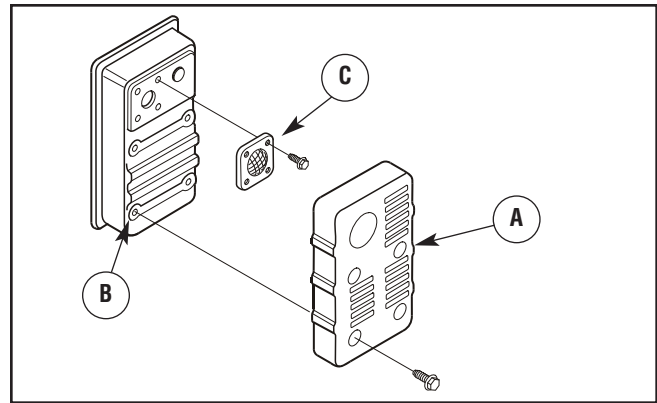
Los gases y el calor de escape podrían inflamar los materiales combustibles y las estructuras o dañar el depósito de combustible y provocar incendios, así como daños materiales, lesiones graves o incluso la muerte.

El contacto con la zona del silenciador podría producir quemaduras y lesiones graves.

- NO toque las superficies calientes y EVITE los gases del escape a alta temperatura.
- Permita que el equipo se enfríe antes de tocarlo.
- Deje un espacio mínimo de 1.5 m (5 pies) alrededor del generador, incluida la parte superior.
- Utilizar el motor en un terreno boscoso, con maleza o cubierto de hierba constituye una infracción al Código de recursos públicos de California, a menos que el sistema de escape esté equipado con una pantalla apagachispas, de acuerdo a la definición de la Sección 4442, que se mantenga en buenas condiciones de funcionamiento. En otros estados o jurisdicciones federales puede haber leyes similares en vigor. Póngase en contacto con el fabricante, el vendedor o el distribuidor del equipo original para obtener una pantalla apagachispas diseñada para el sistema de escape instalado en este motor.
- Las piezas de recambio deben ser las mismas que las piezas originales y estar instaladas en la misma posición.

Limpie e inspeccione el apagachispas de la siguiente manera:

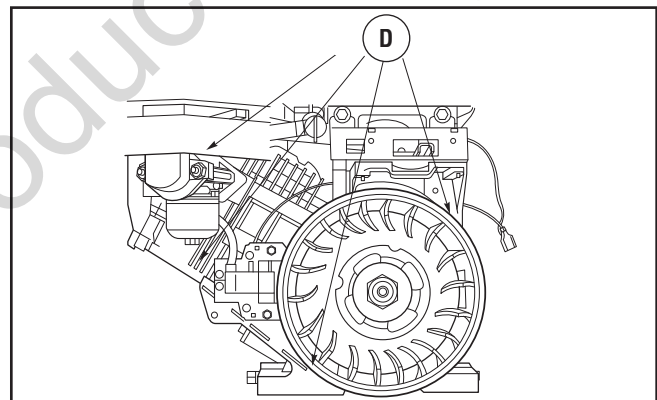
1. Para retirar la protección del silenciador (A) de silenciador (B), retire los cuatro tornillos que conectan la protección a la ménsula del silenciador.
2. Retire los cuatro tornillos que sostienen la pantalla apagachispas (C).



3. Inspeccione la pantalla y reemplácela si está rota, perforada o dañada. No use pantallas defectuosas. Si la pantalla no está dañada, límpiela con un disolvente comercial.
4. Vuelva a instalar la pantalla y la protección del silenciador.

Sistema de refrigeración de aire

Con el tiempo, se pueden acumular residuos en las aletas de refrigeración del cilindro y pasar inadvertidos mientras no se desmonte parcialmente el motor. Recomendamos que encargue la limpieza del sistema de refrigeración (D) a un distribuidor autorizado siguiendo los intervalos recomendados (consulte la sección *Plan de Mantenimiento* en la sección *Mantenimiento*). Es igualmente importante que no se acumulen residuos en la parte superior del motor ni en la pantalla giratoria. Consulte la sección *Limpieza*.



Ajuste del carburador

El carburador de este motor es de baja emisión. Está equipado con una válvula de mezcla de ralentí no ajustable y, en algunos casos, con ralentí regulado. Los niveles de ralentí regulado y velocidad máxima se ajustan en la fábrica. Si es necesario modificarlos, acuda a un distribuidor de servicio.

⚠ PRECAUCIÓN

Las velocidades de funcionamiento excesivamente altas podrían provocar lesiones leves y/o daños al generador.

Las velocidades excesivamente bajas incrementan la carga de trabajo.

- NO intente alterar el resorte, las conexiones y otras partes del regulador para incrementar la velocidad del motor. El generador suministra la frecuencia y el voltaje nominales correctos cuando funciona a una velocidad controlada.
- NO modifique al generador en ninguna forma.

Almacenamiento

El generador deberá ser encendido al menos una vez cada siete días y deberá dejarlo funcionar al menos durante 30 minutos. Si no puede hacer esto y debe almacenar la unidad por más de 30 días, siga las siguientes instrucciones para preparar su unidad para almacenamiento.


Generador

1. Limpie el generador como está descrito en *Limpieza* en la sección *Mantenimiento*.
2. Revise que las ranuras para el aire de enfriamiento y las aperturas del generador se encuentren abiertas y despejadas.

Almacenamiento para periodos prolongados

El combustible puede estar pasado 30 días después de su almacenamiento. El combustible pasado provoca la formación de residuos ácidos y de carbonilla en el circuito de combustible y en los componentes básicos del carburador. Para mantener el combustible en buen estado, utilice el estabilizador de combustible FRESH START® de Briggs & Stratton en cualquiera de sus variantes: líquido o cartucho concentrado con goteo.

Si se añade un estabilizador de combustible conforme a las instrucciones, no será necesario vaciar el motor de combustible. Haga funcionar el motor durante dos minutos para que el estabilizador circule por todo el circuito de combustible. El motor y el combustible se pueden almacenar hasta 24 meses.

 **ADVERTENCIA** El combustible y sus vapores son extremadamente inflamables y explosivos, lo que podría provocar quemaduras, incendios o explosiones; así como daños materiales, lesiones graves o incluso la muerte.

CUANDO ALMACENE O GUARDE EL EQUIPO CON COMBUSTIBLE EN EL TANQUE

- Almacene alejado de calderas, estufas, calentadores de agua, secadoras de ropa u otros aparatos electrodomésticos que posean pilotos u otras fuentes de ignición, porque ellos pueden encender los vapores de la combustible.

CUANDO VACÍE EL DEPÓSITO

- DETENGA el motor del generador y déjelo enfriar durante al menos 2 minutos antes de quitar el tapón de combustible. Afloje la tapa lentamente para dejar que la presión salga del tanque.
- Vacíe el depósito de combustible a la intemperie.
- Mantenga la combustible alejada de chispas, llamas abiertas, pilotos, calor y otras fuentes de ignición.
- Compruebe frecuentemente que las líneas de combustible, el tanque, el tapón y los accesorios no estén rotos o tengan fugas. Cámbielos si es necesario.
- NO encienda un cigarrillo o fume.


Si no se ha añadido un estabilizador de combustible a la gasolina, deberá vaciar completamente el motor utilizando un contenedor homologado. Deje funcionar el motor hasta que se agote el combustible. Se recomienda utilizar un estabilizador de combustible en el contenedor de almacenamiento para mantener la gasolina en buen estado.

Cambio de aceite

Con el motor todavía caliente, drene el aceite de la caja del cigüeñal. Vuelva a llenarlo con el grado de aceite recomendado.

Otras sugerencias para el almacenamiento

1. NO guarde combustible de una temporada a otra a menos que lo haya tratado como se indica en la sección *Almacenamiento Para Periodos Prolongados*.
2. Cambie el contenedor de combustible si este empieza a oxidarse. El combustible contaminado provocará problemas en el motor.
3. Si es posible, guarde la unidad en un espacio interior y protéjala del polvo y la suciedad.
4. Cubra la unidad con una funda adecuada que no retenga la humedad.

 **ADVERTENCIA** Las fundas para almacenamiento podrían provocar incendios y producir daños materiales, lesiones graves o incluso la muerte.

- NO coloque una cubierta encima de un generador caliente.
- Deje que la unidad se enfríe lo suficientemente antes de que le coloque la cubierta.

5. Almacene el generador en una zona limpia y seca.

Resolución de problemas

Problemo	Causa	Accion
El motor está funcionando pero no existe salida de AC disponible.	<ol style="list-style-type: none"> 1. El interruptor automático de circuito está abierto. 2. Conexión mal o defectuosa del juego de cables. 3. El dispositivo conectado está dañado. 4. Avería en el generador. 	<ol style="list-style-type: none"> 1. Reposicione el interruptor. 2. Revise y repare. 3. Conecte otro dispositivo que esté buenas condiciones. 4. Contacte el distribuidor de servicio autorizado.
El motor funciona bien sin carga pero "funciona mal" cuando se le conectan cargas.	<ol style="list-style-type: none"> 1. Corto circuito en una de las cargas conectadas. 2. El generador está sobrecarga. 3. Velocidad del motor es muy lenta. 4. Circuito del generador en corto. 5. Filtro de combustible obstruido o sucio. 	<ol style="list-style-type: none"> 1. Desconecte la carga eléctrica en corto. 2. <i>Vea No Sobrerecarque Generador.</i> 3. Contacte el distribuidor de servicio autorizado. 4. Contacte el distribuidor de servicio autorizado. 5. Limpie o cambie el filtro de combustible.
El motor no se enciende; se enciende y funciona mal o se apaga en pleno funcionamiento.	<ol style="list-style-type: none"> 1. Válvula del combustible en posición "Off". 2. Interruptor de arranque en posición apagado (O). 3. La batería defectuosa. 4. Nivel de aceite insuficiente. 5. Depurador de aire sucio. 6. Filtro de combustible obstruido o sucio. 7. Sin combustible. 8. Combustible vieja. 9. El cable de la bujía no está en malas la bujía. 10. Bujía defectuosa. 11. Agua en la combustible. 12. Sobrecebado. 13. Mezcla de combustible excesivamente rica. 14. La válvula de entrada está atascada está cerrada. 15. El motor ha perdido compresión. 	<ol style="list-style-type: none"> 1. Gire la válvula del combustible a la posición "On". 2. Gire la llave en el interruptor de arranque a la posición funcionamiento (I). 3. Reemplace batería. 4. Llene el cárter hasta el nivel correcto o sitúe el generador en una superficie plana. 5. Limpie o reemplace el depurador de aire. 6. Limpie o cambie el filtro de combustible. 7. Llénelo con combustible fresco. 8. Drene el tanque de gasolina; llénelo con combustible fresco. 9. Conecte el cable a la bujía. 10. Reemplace la bujía. 11. Drene el tanque de gasolina; llénelo con combustible fresco. 12. Abra por completo el cebador y haga girar el motor. 13. Contacte el distribuidor de servicio autorizado. 14. Contacte el distribuidor de servicio autorizado. 15. Contacte el distribuidor de servicio autorizado.
Al motor le hace falta potencia.	<ol style="list-style-type: none"> 1. La carga es muy alta. 2. Filtro de aire sucio. 3. Filtro de combustible obstruido o sucio. 	<ol style="list-style-type: none"> 1. <i>Vea No Sobrerecarque Generador.</i> 2. Reemplace el filtro de aire. 3. Limpie o cambie el filtro de combustible.
El motor "no funciona continuamente" o se detiene.	<ol style="list-style-type: none"> 1. Carburador con mezcla de aire-combustible muy rica o muy pobre. 2. Filtro de combustible obstruido o sucio. 	<ol style="list-style-type: none"> 1. Contacte el distribuidor de servicio autorizado. 2. Limpie o cambie el filtro de combustible.

Garantías

Garantía de control de emisiones de California, U.S. EPA y Briggs & Stratton Corporation

Derechos y obligaciones de la garantía

California Air Resources Board, U.S. EPA y Briggs & Stratton (B&S) le explican a continuación la garantía del sistema de control de emisiones de su motor/equipo modelo 2011-2012. En California, los nuevos motores pequeños para máquinas de servicio y los motores grandes con ignición por bujías no superiores a 1,0 litro deben estar diseñados, fabricados y equipados conforme a los exigentes estándares de lucha contra la contaminación del Estado. B&S garantiza el sistema de control de emisiones de su motor/equipo durante los períodos que se indican a continuación, siempre que no haya habido uso indebido, negligencia o mantenimiento indebido del motor o equipo para máquinas de servicio.

Su sistema de control de emisiones puede incluir componentes como el carburador o el sistema de inyección de combustible, el tanque de combustible, el sistema de arranque y el convertidor catalítico. También puede incluir mangueras, correas, conectores, detectores y otros conjuntos relacionados con las emisiones. Si se cumplen las condiciones de la garantía, B&S reparará el motor/equipo sin coste alguno, incluido el diagnóstico, los componentes y la mano de obra.

Cobertura de la garantía del fabricante:

Los motores pequeños para máquinas de servicio y los motores grandes con ignición por bujías no superiores a 1,0 litro tienen una garantía de dos años. Si algún componente del motor/equipo relacionado con las emisiones estuviera defectuoso, B&S lo reparará o sustituirá.

Responsabilidades de la garantía del propietario:

- Como propietario del motor/equipo, usted es responsable de llevar a cabo todas las operaciones de mantenimiento que se enumeran en el manual del propietario. B&S recomienda conservar todas las facturas relativas al mantenimiento del motor/equipo, pero B&S no puede denegar la garantía basándose únicamente en la falta de facturas o en la imposibilidad por parte del propietario de asegurar la correcta realización de todas las operaciones de mantenimiento.
- Como propietario del motor/equipo, debe ser consciente de que B&S puede denegar la cobertura de la garantía si el motor/equipo o uno de sus componentes falla debido a un uso indebido o negligente, un mantenimiento inadecuado o modificaciones no autorizadas.
- Usted es responsable de presentar su motor/equipo a un centro de distribución de B&S, distribuidor autorizado de servicio u otra entidad equivalente, según corresponda, en el momento en que surja un problema. Las reparaciones cubiertas por la garantía se llevarán a cabo en un plazo razonable, no superior a 30 días en ningún caso. En caso de preguntas sobre los derechos y responsabilidades relativos a la garantía, póngase en contacto con B&S llamando al (414) 259-5262.

Disposiciones de la garantía contra defectos del sistema de control de emisiones de Briggs & Stratton

A continuación se detallan las disposiciones concretas relativas a la Cobertura de la garantía contra defectos del sistema de control de emisiones. Se añaden a la garantía de motores de B&S para motores no regulados, que figura en el Manual del Operario.

1. Piezas garantizadas

La presente garantía cubre únicamente las piezas que se enumeran a continuación (piezas del sistema de control de emisiones) siempre que tales piezas estuvieran presentes en el B&S motor y/o B&S suministrado sistema de combustible.

a. Sistema de regulación de combustible

- Sistema de enriquecimiento para arranque en frío (estrangulador electrónico)
- Carburador y piezas internas
- Bomba de combustible
- Conducto de combustible, acoplamiento del conducto de combustible, abrazaderas
- Depósito de combustible, tapón y cadena
- Bote de carbono

b. Sistema de inducción de aire

- Filtro de aire
- Colector de admisión
- Línea de purga y ventilación

c. Sistema de encendido

- Bujía(s)
- Sistema de encendido magnético

d. Sistema catalizador

- Convertidor catalítico
- Colector de escape
- Sistema de inyección de aire o válvula de impulso

e. Elementos diversos utilizados en los sistemas anteriores

- Válvulas y conmutadores de aspiración, temperatura, posición y temporizados
- Conectores y unidades

2. Duración de la cobertura

Durante un período de dos años desde la fecha de compra original, B&S garantiza al propietario original y a todo propietario posterior que el motor está diseñado, fabricado y equipado conforme a la normativa vigente adoptada por el Air Resources Board; que no tiene defectos de materiales ni de mano de obra que provoquen el fallo de un componente cubierto; y que es idéntico en todos los aspectos materiales al motor descrito en la aplicación de certificación del fabricante. El período de garantía comienza en la fecha de adquisición original del motor.

La garantía de los componentes relacionados con las emisiones es la siguiente:

- Los fallos de todo componente cubierto por la garantía que no se deba sustituir como parte del plan de mantenimiento obligatorio detallado en el manual del propietario entregado quedarán cubiertos por la garantía durante el período de la garantía especificado anteriormente. Si alguno de estos componentes falla durante el período de cobertura de la garantía, deberá ser reparado o sustituido por B&S sin cargo alguno para el propietario. Los componentes que se reparen o sustituyan en virtud de la garantía estarán cubiertos por la garantía durante el período de garantía restante.
- Los fallos de todo componente cubierto por la garantía que sólo se deba inspeccionar periódicamente según el manual del propietario entregado quedarán cubiertos por la garantía durante el período de la garantía especificado anteriormente. Los componentes que se reparen o sustituyan en virtud de la garantía estarán cubiertos por la garantía durante el período de garantía restante.
- Los fallos de todo componente cubierto por la garantía que se deba sustituir como parte del plan de mantenimiento obligatorio detallado en el manual del propietario entregado quedarán cubiertos por la garantía hasta el momento en que se indique que es necesario hacer la primera sustitución. Si el componente falla antes de la fecha de la primera sustitución, será reparado o sustituido por B&S sin cargo alguno para el propietario. Los componentes que se reparen o sustituyan en virtud de la garantía estarán cubiertos por la garantía durante el período de garantía hasta llegar a la fecha de la primera sustitución.
- No se podrán utilizar componentes complementarios o modificados no exentos por el Air Resources Board. El uso de componentes complementarios o modificados no exentos por parte del propietario dará lugar a la anulación de la garantía. El fabricante no será responsable de los fallos de componentes cubiertos por la garantía que se deban al uso de un componente complementario o modificado no exento.

3. Cobertura de daños derivados

La cobertura se ampliará a los fallos de cualquier componente del motor derivados del fallo de cualquier componente relacionado con el sistema de emisiones cubierto por la garantía.

4. Solicitudes y exclusiones de cobertura

Las solicitudes de garantía se cumplimentarán con arreglo a las disposiciones de la política de garantía de motores B&S. La cobertura no aplica a los fallos de componentes relacionados con el sistema de emisiones cubiertos por la garantía que no sean originales de B&S ni a los fallos debidos a uso indebido, negligencia o mantenimiento inadecuado, conforme a las disposiciones de la política de garantía de motores

B&S. B&S no será responsable de la cobertura de la garantía de fallos de componentes relacionados con el sistema de emisiones cubiertos por la garantía provocados por el uso de componentes complementarios o modificados.

Consulte la información sobre el período de durabilidad de las emisiones y el índice de aire en la etiqueta de emisiones del motor pequeño para máquinas de servicio

Los motores con certificación de cumplimiento de la normativa sobre emisiones de motores pequeños para máquinas de servicio del California Air Resources Board (CARB) deben mostrar información sobre el período de durabilidad de las emisiones y el índice de aire. Briggs & Stratton ofrece esta información al consumidor mediante etiquetas de emisiones. La etiqueta de emisiones del motor contiene la información de certificación.

El **Período de Durabilidad de las Emisiones** indica el número de horas durante las cuales el motor puede funcionar cumpliendo las normas sobre emisiones, siempre que se realicen las operaciones de mantenimiento que se detallan en las instrucciones de uso y mantenimiento. Se utilizan las siguientes categorías:

Moderado: El motor está certificado para cumplir la normativa sobre emisiones durante 125 horas de funcionamiento real.

Intermedio: El motor está certificado para cumplir la normativa sobre emisiones durante 250 horas de funcionamiento real.

Prolongado: El motor está certificado para cumplir la normativa sobre emisiones durante 500 horas de funcionamiento real.

Por ejemplo, un cortacésped con operario a pie se suele utilizar entre 20 y 25 horas al año. Por tanto, el **Período de Durabilidad de las Emisiones** de un motor con clasificación **intermedia** equivaldría a 10-12 años.

Los motores Briggs & Stratton cuentan con la certificación de cumplimiento de la fase 2 de las normativas sobre emisiones de la United States Environmental Protection Agency (USEPA, Agencia estadounidense de protección del medioambiente). En el caso de los motores con certificación de fase 2, el período de cumplimiento de la normativa sobre emisiones que figura en la etiqueta de cumplimiento de emisiones indica el número de horas de funcionamiento durante las cuales el motor ha demostrado cumplir los requisitos federales sobre emisiones.

Para motores de menos de 225 cc:

Categoría C = 125 horas
Categoría B = 250 horas
Categoría A = 500 horas.

Para motores de 225 cc o más:

Categoría C = 250 horas
Categoría B = 500 horas
Categoría A = 1000 horas.

POLÍTICA DE GARANTÍA PARA EL PROPIETARIO DE GENERADOR PORTÁTIL BRIGGS & STRATTON POWER PRODUCTS GROUP, LLC

1 Fcha de entrada en vigor: 1 de Mayo de 2010. Sustituye a todas las garantías sin fecha y a las de fecha anterior al 1 de Mayo de 2010

GARANTÍA LIMITADA

Briggs & Stratton Power Products Group, LLC reparará o sustituirá sin cargo alguno cualquier componente del generador portátil que presente defectos de materiales y/o mano de obra. Los gastos de transporte de las productos enviadas para reparar o sustituir conforme a los términos de esta garantía correrán a cargo del comprador. El periodo de vigencia y las condiciones de esta garantía son los que se estipulan a continuación. Para obtener servicio en garantía, localice el distribuidor de servicio autorizado más próximo en nuestro mapa de distribuidores, en www.BRIGGSandSTRATTON.COM.

NO EXISTE NINGUNA OTRA GARANTÍA EXPLÍCITA. LAS GARANTÍAS IMPLÍCITAS, INCLUIDAS LAS DE COMERCIABILIDAD O IDONEIDAD PARA UN FIN CONCRETO, SE LIMITAN A UN AÑO DESDE LA FECHA DE COMPRA O AL LÍMITE DE TIEMPO PERMITIDO POR LA LEY. QUEDAN EXCLUIDAS TODAS LAS GARANTÍAS IMPLÍCITAS QUEDA EXCLUIDA LA RESPONSABILIDAD POR DAÑOS SECUNDARIOS Y DERIVADOS HASTA EL LÍMITE PERMITIDO POR LA LEY. Algunos países o estados no permiten limitar la duración de una garantía implícita ni excluir o limitar los daños secundarios y derivados. Por tanto, es posible que las limitaciones y exclusiones mencionadas no sean aplicables en su caso. Esta garantía le otorga determinados derechos legales y es posible que tenga otros derechos que pueden variar de un país o estado a otro.

PERÍODO DE GARANTÍA

	Motor	Todos los otros componentes
Uso del consumidor	2 Años	3 Años*
Uso comercial	1 Año	1 Año

* Año 2 y 3 despide sólo

El período de garantía comienza en la fecha de compra del primer usuario final y se prolonga durante el tiempo especificado. "Uso del consumidor" significa uso doméstico personal por parte de un consumidor final. "Uso comercial" significa cualquier otro uso, incluidos los usos con fines comerciales, de generación de ingresos o alquiler. Una vez que el equipo se haya usado con fines comerciales, se considerará como equipo de uso comercial a efectos de esta garantía. Los equipos utilizados para suministrar energía en sustitución de un servicio público no pueden acogerse a esta garantía.

NO ES NECESARIO REGISTRAR LA GARANTÍA PARA OBTENER SERVICIO DE BRIGGS & STRATTON PRODUCTS. GUARDE SU RECIBO DE COMPRA. SI NO APORTA LA PRUEBA DE LA FECHA DE COMPRA INICIAL, SE UTILIZARÁ LA FECHA DE FABRICACIÓN DEL PRODUCTO PARA DETERMINAR EL PERÍODO DE GARANTÍA.

ACERCA DE LA EQUIPO GARANTÍA

Esperamos que disfrute de nuestra garantía y le pedimos disculpas por las molestias causadas. Cualquier distribuidor de servicio autorizado puede llevar a cabo reparaciones en garantía. La mayoría de las reparaciones en garantía se gestionan normalmente, pero algunas veces la solicitud de servicio en garantía puede no ser procedente. Por ejemplo, la garantía no será válida si el equipo presenta daños debidos al mal uso, la falta de mantenimiento, el transporte, la manipulación, el almacenamiento o la instalación inadecuados. De manera similar, la garantía quedará anulada si se ha borrado la fecha de fabricación o el número de serie del generador portátil, o si el equipo ha sido alterado o modificado. Durante el período de garantía, el distribuidor de servicio autorizado podrá reparar o sustituir, a su libre elección, cualquier pieza que, previa inspección, sea defectuosa en condiciones normales de uso y servicio. Esta garantía no cubre las reparaciones y equipos que se detallan a continuación:

- **Desgaste normal:** Al igual que cualquier otro aparato mecánico, los equipos de uso en exteriores necesitan piezas y mantenimiento periódicos para funcionar correctamente. Esta garantía no cubre las reparaciones cuando el uso normal haya agotado la vida útil de una pieza concreta del equipo.
- **Instalación y mantenimiento:** Esta garantía no cubre los equipos ni las piezas cuya instalación sea incorrecta o no haya sido autorizada, ni aquellos que hayan sido objeto de cualquier tipo de alteración, mal uso, negligencia, accidente, sobrecarga, exceso de velocidad o mantenimiento, reparación o almacenamiento inadecuados que, a nuestro juicio, haya afectado negativamente a su funcionamiento y su fiabilidad. La garantía tampoco cubre el mantenimiento normal, como los ajustes y la limpieza, o la obstrucción del sistema de combustión (debido a materias químicas, suciedad, carbón, cal, etc.).
- **Otras exclusiones:** También quedan excluidos de esta garantía el desgaste de los artículos tales como juntas tóricas, filtros, etc., o los daños derivados de accidentes, uso indebido, modificaciones, alteraciones, servicio inadecuado, congelación o deterioro químico. Los accesorios tales como empezar baterías, juego de cables del adaptador del generador y cubiertas para almacenamiento quedan excluidos de la garantía del producto. También se excluyen los equipos usados o reacondicionados y los destinados a demostraciones; los equipos utilizados como fuente principal de energía en lugar de un servicio público y los equipos sanitarios destinados al mantenimiento de las constantes vitales. Esta garantía excluye los fallos debidos a hechos fortuitos y a otros acontecimientos de fuerza mayor que escapan al control del fabricante. 311527S, Rev. A, 05/1/2010

BRIGGS & STRATTON POWER PRODUCTS GROUP, LLC
MILWAUKEE, WI, EE.UU

Not for
Reproduction

Reservado



Generador Portátil

Especificaciones del producto

Modelo 030470

Vataje que Empieza	.8,750 Vatios
Vataje*	.7,000 Vatios
Corriente valorada de Carga de C.A.:	
a 240 Voltios	.29.1 Amperios
a 120 Voltios	.58.3 Amperios
Frecuencia Nominal	.60 Hz at 3600 rpm
Fase	.Monofásica
Desplazamiento	.420 cc (25.63 cu. in.)
Bujía Separación	.0.76 mm (0.030 in.)
Capacidad de Gasolina	.26.5 Litros (7 galones americanos)
Capacidad de Aceite	.1.0 Litros (36 Onzas)

Modelo 030471

Vataje que Empieza	.10,000 Vatios
Vataje*	.8,000 Vatios
Corriente valorada de Carga de C.A.:	
a 240 Voltios	.33.3 Amperios
a 120 Voltios	.66.6 Amperios
Frecuencia Nominal	.60 Hz at 3600 rpm
Fase	.Monofásica
Desplazamiento	.420 cc (25.63 cu. in.)
Bujía Separación	.0.76 mm (0.030 in.)
Capacidad de Gasolina	.26.5 Litros (7 galones americanos)
Capacidad de Aceite	.1.0 Litros (36 Onzas)

Servicio común despide

Depurador de aire	.491588 o 5043
Botella de aceite de motor	.100005 o 100028
Botella de aceite sintético	.100074
Estabilizador de combustible	.100002 o 5041
Apagachispas	.83083GS

Potencia nominal: El valor de potencia bruta nominal de cada modelo de motor de gasolina está indicado en una etiqueta conforme al código J1940 (Procedimiento de valoración de potencia y par de pequeños motores) de la Society of Automotive Engineers (Sociedad de ingenieros de automoción, SAE). Los valores nominales se han obtenido y corregido conforme al código SAE J1995 (Revisión 2002-05). Los valores de par se obtienen a 3060 rpm; y los valores de potencia se obtienen a 3600 rpm. Los valores de potencia neta se obtienen con el escape y filtro de aire instalados, mientras que los valores de potencia bruta se obtienen sin estos elementos. La potencia bruta real del motor es superior que la potencia neta del motor y depende, entre otros factores, de las condiciones ambientales de uso y de las variaciones entre distintos motores del mismo modelo. Dada la amplia variedad de productos que utilizan nuestros motores, es posible que el motor de gasolina no desarrolle la potencia bruta nominal en determinados equipos. Esta diferencia se debe, entre otros, a los siguientes factores: variedad de componentes del motor (filtro de aire, escape, carga, refrigeración, carburador, bomba de combustible, etc.), limitaciones de la aplicación, condiciones ambientales de uso (temperatura, humedad, altitud) y variaciones entre distintos motores de un mismo modelo. Debido a limitaciones de fabricación y capacidad, Briggs & Stratton puede sustituir un motor de una potencia nominal mayor por un motor de esta serie.

* Este generador está clasificado y certificado conforme a la norma C22.2 No. 100-04 (motores y generadores) de la CSA (Canadian Standards Association [Asociación canadiense de normalización]).

Briggs & Stratton Power Products Group, LLC
P.O. Box 702
Milwaukee, Wisconsin, 53201-0702 U.S.A.



Génératrice portative

Manuel d'utilisation



Les caractéristiques nominales et la certification de cette génératrice sont conformes à la norme C22.2 No. 100-04 (moteurs et génératrices) de l'ACNOR (Association canadienne de normalisation).

BRIGGS & STRATTON POWER PRODUCTS GROUP, LLC
MILWAUKEE, WISCONSIN, U.S.A.

Merci d'avoir acheté cette génératrice de qualité Briggs & Stratton®. Nous sommes heureux que vous fassiez confiance à la marque Briggs & Stratton. Si vous respectez les instructions d'utilisation et d'entretien de ce manuel, vous pourrez vous fier à votre génératrice Briggs & Stratton durant de nombreuses années.

Ce manuel contient des renseignements sur la sécurité pour vous informer des dangers et des risques associés aux génératrices et à la façon de les éviter. Cette génératrice a été conçue pour être utilisée seulement pour alimenter les circuits d'éclairage compatibles, les électroménagers, les outils et les moteurs et pour aucune autre utilisation. Il est important de bien lire et comprendre entièrement ces directives avant de tenter de démarrer et d'utiliser cet équipement. **Conservez ces instructions d'origine pour référence future.**

Cette génératrice exige un assemblage final avant utilisation. Consultez la section *Assemblage* de ce manuel pour les directives sur les procédures d'assemblage finales. Suivez ces instructions à la lettre.

Où nous trouver

Vous n'aurez jamais à chercher bien loin pour trouver un centre de support et service Briggs & Stratton pour votre génératrice. Consultez les Pages Jaunes. Il y a plus de 30 000 distributeurs de service après-vente agréés Briggs & Stratton dans le monde qui offrent un service de qualité. Vous pouvez aussi téléphoner au Service à la clientèle de Briggs & Stratton au **(800) 743-4115** ou communiquer avec eux par Internet à l'adresse BRIGGSandSTRATTON.COM.

Génératrice

Numéro de modèle

--	--	--	--	--	--	--	--

Révision

--	--

Numéro de série

--	--	--	--	--	--	--	--	--	--	--	--	--	--	--

Moteur

Numéro de modèle

--	--	--	--	--	--

Numéro de type

--	--	--	--	--	--	--	--

Numéro de code

--	--	--	--	--	--	--	--	--	--	--	--	--	--	--	--	--	--

Date d'achat

--	--	--	--	--	--

Droits d'auteur © 2011. Briggs & Stratton Power Products Group, LLC
Milwaukee, WI, USA. Tous droits réservés.
BRIGGS & STRATTON POWER PRODUCTS sont des marques
déposées de Briggs & Stratton Corporation
Milwaukee, WI, USA

Table des Matières

Sécurité de l'opérateur	4
Description de l'équipement	4
Renseignements importants de sécurité	4
Assemblage	7
Déballez la génératrice	7
Contenu de l'expédition	7
Installez la roue la trousse	7
Raccordez le câble de retour de la batterie	7
Ajoutez de l'huile à moteur	8
Ajoutez de l'essence	8
Mise à la terre du système	9
Branchement au système électrique d'un édifice	9
Emplacement de la génératrice	9
Fonctions et commandes	10
Cordons et prises	11
Chargeur de batterie	11
Opération	12
Démarrage du moteur	12
Branchement des charges électriques	13
Arrêt du moteur	13
Arrêt du moteur en cas de bas niveau d'huile	13
Fonctionnement par temps froid	13
Ne pas surcharger générateur	15
Entretien	16
Calendrier d'entretien	16
Entretien de génératrice	16
Entretien de la batterie	16
Entretien de la vanne de combustible	17
Entretien du moteur	17
Entreposage	20
Dépannage	21
Garanties	22
Garantie du dispositif antipollution	22
Garantie du propriétaire d'un génératrice	24
Caractéristiques	26
Caractéristiques du produit	26
Pièces d'entretien courant	26

Sécurité de l'opérateur

Description de l'équipement



Lisez avec soin ce manuel et familiarisez-vous avec votre générateur. Connaissez ses applications, ses limitations et les dangers qu'il implique.

Ce générateur est un générateur entraîné par un moteur à champ magnétique rotatif produisant du courant alternatif (c.a.). Il a été conçu pour fournir du courant électrique pour faire marcher des charges compatibles d'éclairage, d'appareils ménagers, d'outil et de moteur. Le champ tournant du générateur est entraîné à 3,600 T/M par un moteur.

AVIS Dépasser la capacité en watts/ampères de la génératrice peut endommager la génératrice et/ou les appareils électriques qui y sont branchés.

- NE dépassez PAS la capacité en watts/ampères de la génératrice. Voir la rubrique *Ne surchargez pas votre génératrice* dans la section *Opération*.

Tout a été mis en oeuvre pour que les informations contenues dans ce manuel soient exactes et à jour. Cependant, nous se réserve le droit de changer, d'altérer ou d'améliorer le produit à n'importe quel moment sans avis préalable.

Le Système de contrôle de l'émission du générateur est garanti pour des normes établies par L'Agence de protection de l'environnement et le California Air Resources Board.

Renseignements importants de sécurité

Le fabricant ne peut anticiper toutes les circonstances potentielles pouvant comporter un danger. Par conséquent, les avertissements contenus dans le présent manuel, ainsi que les plaques et les décalques apposés sur l'unité n'englobent pas toutes les possibilités. Si vous utilisez une procédure, une méthode de travail ou une technique d'opération non spécifiquement recommandée par le fabricant, vous devez vous assurer qu'elle ne compromet pas votre sécurité ni celle des autres. Vous devez également vous assurer que la procédure, la méthode de travail ou la technique d'opération que vous choisissez ne rende pas la génératrice dangereuse.

Symboles de sécurité et leur signification



Emanations toxiques



Effet de recul



Choc électrique



Feu



Explosion



Manuel d'utilisation



Parties en mouvement



Objets volant



Surface chaude

▲ Le symbole d'alerte de sécurité indique un risque potentiel de blessure personnelle. Un mot signal (DANGER, ATTENTION ou AVERTISSEMENT) est utilisé avec un symbole d'alerte pour vous indiquer le degré ou le niveau du risque. Un symbole de sécurité peut être utilisé pour représenter le type de risque. Le mot signal **AVIS** est utilisé pour traiter les pratiques qui ne sont pas reliées aux blessures personnelles.

▲ Le mot signal **DANGER** indique un danger qui, s'il n'est pas évité, *causera* la mort ou des blessures graves.

▲ Le mot signal **AVERTISSEMENT** indique un risque qui, s'il n'est pas évité, *pourrait* causer la mort ou des blessures graves.

▲ Le mot signal **ATTENTION** indique un risque qui, s'il n'est pas évité, *pourrait* causer des blessures mineures ou modérées.

Le mot **AVIS** est utilisé pour les pratiques qui ne sont pas reliées aux blessures personnelles.

▲ **AVERTISSEMENT** L'échappement du moteur de ce produit contient des produits chimiques que l'État de Californie considère comme causant le cancer, des déformations à la naissance ou d'autres dangers concernant la reproduction.

▲ **AVERTISSEMENT** Certains composants de ce produit ainsi que les accessoires reliés contiennent des produits chimiques reconnus par l'État de la Californie comme causant des cancers, des malformations congénitales, ou d'autres problèmes de reproduction. Nettoyez-vous les mains après la manipulation.

DANGER

L'utilisation d'une génératrice à l'intérieur PEUT PROVOQUER LA MORT EN QUELQUES MINUTES.

Les gaz d'échappement de la génératrice contiennent du monoxyde de carbone. Il s'agit d'un poison que vous ne pouvez ni voir ni sentir.



NE JAMAIS utiliser la génératrice dans une maison ou un garage, **MÊME SI** les portes et les fenêtres sont ouvertes.



Utilisez seulement à l'**EXTÉRIEUR** et loin de fenêtres, portes et événements.

▲ AVERTISSEMENT Le moteur, lorsqu'il fonctionne, produit du monoxyde de carbone, un gaz toxique inodore et incolore.

L'inhalation du monoxyde de carbone peut entraîner la mort, des blessures graves, des maux de tête, de la fatigue, des étourdissements, le vomissement, de la confusion, des crises épileptiques, des nausées et l'évanouissement.

- Faites fonctionner cet appareil **UNIQUEMENT** à l'extérieur.
- Installez un avertisseur de monoxyde de carbone à piles près des chambres à coucher.
- Évitez que les gaz d'échappement entrent dans un espace restreint, par une fenêtre, une porte, une prise d'aération ou toute autre ouverture.
- **NE faites PAS** fonctionner ce produit à l'intérieur d'un bâtiment, d'un abri de voiture, d'un porche, de l'équipement mobile, lors d'applications marines ou dans un lieu clos, même si les fenêtres et les portes sont ouvertes.

▲ AVERTISSEMENT Un effet de recul (rétroaction rapide) de la corde du démarreur tirera votre main et votre bras vers le moteur plus rapidement que vous ne pouvez relâcher la corde; ce qui pourrait causer des fractures, des ecchymoses ou des entorses risquant d'entraîner des blessures graves.

- Lors du démarrage du moteur, tirez lentement sur la corde jusqu'à ce que vous sentiez une résistance et tirez alors rapidement afin d'éviter un effet de recul.
- **NE démarrez JAMAIS** ni n'arrêtez jamais le moteur alors que des appareils électriques y sont branchés et en fonction.

▲ AVERTISSEMENT Le démarreur et d'autres pièces rotatives peuvent happer des mains, des cheveux, des vêtements ou des accessoires et entraîner des blessures graves.

- N'utilisez **JAMAIS** une génératrice sans bâti ou couvercles protecteurs.
- **NE portez PAS** de vêtements amples, de bijoux ou autres accessoires qui peuvent se prendre dans le démarreur ou d'autres pièces rotatives.
- Embouteiller des cheveux longs et enlève la bijouterie.

▲ AVERTISSEMENT L'essence et ses vapeurs sont extrêmement inflammables et explosives qui pourraient causer des brûlures, un incendie ou une explosion risquant d'entraîner la mort, des blessures graves et/ou des dommages matériels.

LORS DE L'AJOUT OU DE LA VIDANGE DU CARBURANT

- Éteignez le moteur de la génératrice et laissez-le refroidir pendant au moins 2 minutes avant de retirer le bouchon à essence. Desserrez lentement le capuchon pour laisser la pression s'échapper du réservoir.
- Remplissez ou vidangez le réservoir d'essence à l'extérieur.
- **NE remplissez PAS** trop le réservoir. Laissez l'expansion de l'essence.
- Attendez le carburant renversé pour s'évaporer avant de démarrer le moteur.
- Éloignez l'essence des étincelles, des flammes, des veilleuses, de la chaleur et de toute autre source d'inflammation.
- Vérifiez si les conduits d'essence, le réservoir, le bouchon et les raccords comportent des fissures ou des fuites. Remplacez au besoin.
- **N'ALLUMEZ PAS** de cigarette ou ne fumez pas à proximité de l'appareil.

LORS DU DÉMARRAGE DE L'ÉQUIPEMENT

- Assurez-vous que la bougie d'allumage, le silencieux, le bouchon à essence et le filtre à air sont en place.
- **NE démarrez PAS** le moteur lorsque la bougie d'allumage est enlevée.

LORSQUE L'ÉQUIPEMENT FONCTIONNE

- **NE faites PAS** fonctionner ce produit à l'intérieur d'un bâtiment, d'un abri de voiture, d'un porche, de l'équipement mobile, lors d'applications marines ou dans un lieu clos.
- **NE penchez PAS** le moteur ou l'équipement, vous risqueriez de renverser de l'essence.
- **N'arrêtez PAS** le moteur en plaçant le levier d'étrangleur à la position « **Choke** ».

LORS DU TRANSPORT, DU DÉPLACEMENT OU DE LA RÉPARATION DE L'ÉQUIPEMENT

- Le réservoir d'essence doit être **VIDE** ou le robinet d'arrêt de carburant doit être à la position fermée (OFF) pendant le transport, du déplacement ou la réparation.
- **NE penchez PAS** le moteur ou l'équipement, vous risqueriez de renverser de l'essence.
- Débranchez le câble de bougie.

LORSQUE VOUS ENTREPOSEZ L'ESSENCE OU UN ÉQUIPEMENT AVEC UN RÉSERVOIR À ESSENCE

- Entreposez-le loin des appareils de chauffage, des fours, des chauffe-eau, des sècheuses ou de tout autre appareil électroménager disposant d'une veilleuse ou de toute autre source d'inflammation risquant d'enflammer les vapeurs d'essence.

▲ AVERTISSEMENT

- Cette génératrice ne satisfait pas aux normes U. S. Coast Guard Regulation 33CFR-183 et ne doit pas être utilisée pour des applications marines.
- L'omission d'utiliser une génératrice appropriée et approuvée par U. S. Coast Guard pourrait entraîner des blessures corporelles ou des dommages matériels.

▲ AVERTISSEMENT La chaleur et les gaz d'échappement peuvent enflammer des matériaux combustibles et les structures ainsi que causer des dommages au réservoir d'essence et provoquer un incendie risquant d'entraîner la mort, des blessures graves et/ou des dommages matériels.



- Tout contact avec la zone du silencieux peut causer des brûlures risquant d'entraîner des blessures graves.
- NE touchez PAS aux pièces chaudes et ÉVITEZ le contact avec les gaz d'échappement.
 - Laissez l'équipement refroidir avant de le toucher.
 - Laissez un dégagement d'au moins 1,5 m (5 pi) tout autour de la génératrice, y compris au-dessus.
 - L'utilisation ou le fonctionnement d'un moteur sur un terrain boisé, couvert de broussailles ou gazonné constitue une violation dans l'État de la Californie, en vertu de la section 4442 du California Public Resources Code, à moins qu'il ne soit doté d'un pare-étincelles tel que défini dans la section 4442 et maintenu en bon état de fonctionnement. Il se peut que d'autres États ou d'autres compétences fédérales aient des lois semblables. Communiquez avec le fabricant, le détaillant ou le concessionnaire original de l'appareil afin d'obtenir un pare-étincelles conçu pour le système d'échappement installé sur ce moteur.
 - Les pièces de rechange doivent être identiques aux pièces d'origine et être installées à la même position.

▲ AVERTISSEMENT La tension de la génératrice peut causer un choc électrique ou des brûlures risquant d'entraîner la mort et des blessures graves.



- Utilisez l'équipement de transfert approuvé pour empêcher la rétroaction en isolant la génératrice des employés du service de distribution électrique.
- Veuillez aviser votre fournisseur d'alimentation en électricité lorsque vous utilisez votre génératrice comme alimentation de secours.
- Utilisez un disjoncteur différentiel lorsque vous utilisez l'appareil dans des endroits humides ou extrêmement conductibles, comme les terrasses en métal ou les ouvrages métalliques.
- NE TOUCHEZ PAS les fils dénudés ou les boîtiers.
- N'UTILISEZ PAS la génératrice avec des cordons électriques usés, effilochés ou dénudés, ou abîmés de quelque sorte que ce soit.
- N'utilisez PAS la génératrice sous la pluie ou lors de températures pluvieuses.
- NE MANIPULEZ PAS la génératrice ou les cordons d'alimentation lorsque vous êtes debout dans l'eau, pieds nus ou avec les mains ou les pieds humides.
- NE LAISSEZ PAS des personnes non qualifiées ou des enfants se servir ou réparer le générateur.

▲ AVERTISSEMENT Une étincelle involontaire peut causer un incendie et un choc électrique et entraîner la mort et des blessures graves.



LORSQUE VOUS RÉGLEZ OU RÉPAREZ VOTRE GÉNÉRATRICE

- Débranchez toujours le câble de bougie et placez-le de façon à ce qu'il ne soit pas en contact avec la bougie.

LORS DE TESTS D'ALLUMAGE DU MOTEUR

- Utilisez un vérificateur de bougies d'allumage approuvé.
- NE vérifiez PAS l'allumage lorsque la bougie d'allumage est enlevée.

▲ ATTENTION Des vitesses de fonctionnement excessivement élevées peuvent causer des blessures mineures et/ou endommager la génératrice. Des vitesses excessivement lentes produisent une charge importante.

- NE modifiez PAS le ressort-régulateur, la tringlerie ou d'autres pièces pour augmenter la vitesse du moteur. La génératrice fournit une fréquence et une tension appropriée lorsque la vitesse du moteur est régulée.
- NE modifiez PAS le générateur d'aucune façon.

AVIS Dépassez la capacité en watts/ampères de la génératrice peut endommager la génératrice et/ou les appareils électriques qui y sont branchés.

- NE dépassez PAS la capacité en watts/ampères de la génératrice. Voir la rubrique *Ne surchargez pas votre génératrice* dans la section *Opération*.
- Démarrez le générateur et laissez le moteur se stabiliser avant de brancher les charges électriques.
- Branchez les charges électriques en position ARRÊT, puis, remettez en position MARCHE.
- Éteignez les charges électriques et débranchez-les du générateur avant de l'arrêter.

AVIS Le traitement inadéquat du générateur peut l'endommager et réduire sa durée de vie utile.

- Ne vous servez du générateur que pour les utilisations prévues.
- Si vous avez des questions à propos de l'utilisation prévue de cet appareil, consultez votre détaillant ou communiquez avec Briggs & Stratton.
- Ne faites fonctionner le générateur que sur des surfaces horizontales.
- N'exposez PAS le générateur à une humidité excessive, à de la poussière, à de la saleté ou à des vapeurs corrosives.
- N'insérez aucun objet dans les fentes de refroidissement.
- Si les appareils branchés sont en surchauffe, éteignez-les et débranchez-les du générateur.
- Arrêtez le générateur si :
 - la puissance électrique est inexistante;
 - l'équipement produit des étincelles, de la fumée ou des flammes;
 - l'unité vibre excessivement.

Assemblage

Votre génératrice doit être assemblée et vous pourrez l'utiliser après l'avoir correctement remplie d'huile et d'essence recommandées.

Si vous avez n'importe quels problèmes avec l'assemblée de votre générateur, s'il vous plaît appeler le helpline de générateur à **(800) 743-4115**. Si vous téléphonez pour obtenir de l'aide, veuillez avoir disponibles les renseignements du étiquettes d'identification: numéro de modèle, de révision et de série. Consultez la section *Commandes et fonctions* de la génératrice pour connaître l'emplacement de l'étiquettes d'identification.

Déballez la génératrice

1. Placez la boîte de carton sur une surface plane rigide.
2. Enlevez tous les composants de la boîte d'expédition à l'exception de la génératrice.
3. Ouvrez la boîte d'expédition en coupant tous les coins du haut vers le bas.
4. Laissez la génératrice dans la boîte d'expédition afin d'installer les roues.

Contenu de l'expédition

La génératrice est livrée avec les éléments suivants:

- Huile à moteur (2)
- Manuel d'utilisation
- Chargeur à tampon
- Clés (2)
- Ensemble de roues

Installe la roue la trousse

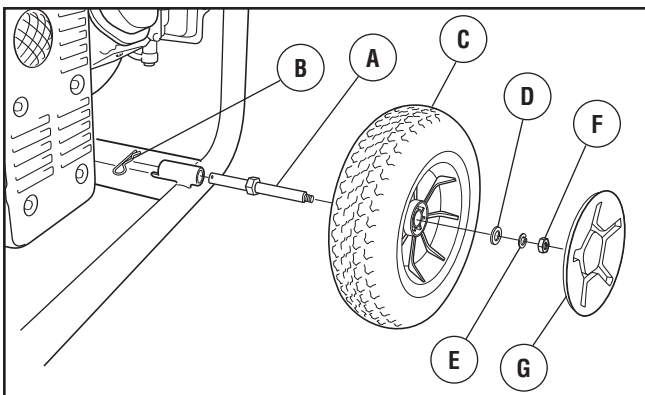
AVIS Les roues n'ont pas été conçues pour le transport de la génératrice sur la route.

Pour installer ces composants, vous aurez besoin des outils suivants:

- Clé à 13 mm et 19 mm
- Clé à douilles avec douille 10 mm et 16 mm

Installez les roues comme suit:

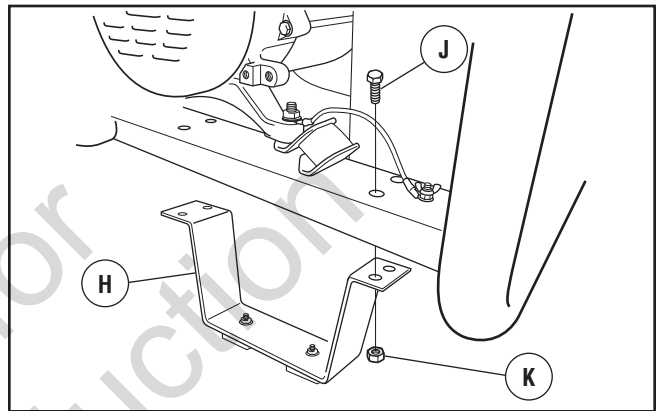
1. Basculez la génératrice de sorte que la partie latérale du moteur soit vers le bas.
2. Faites glisser le goujon de l'essieu (A) dans le support de fixation avec l'extrémité fileté vers l'extérieur.



3. Insérez une tige de retenue (B) par l'ouverture du goujon de l'essieu.
4. Faites glisser une roue (C) sur le goujon de l'essieu.

AVIS Assurez-vous de placer la roue avec le moyeu surélevé du côté intérieur.

5. Fixez la roue au goujon de l'essieu à l'aide d'une rondelle (D), une rondelle de blocage (E) et un écrou (F). Serrez avec une clé à douilles de 16 mm et une clé de 19 mm.
6. Placez le chapeau de moyeu (G) au centre de la roue et poussez-le jusqu'à ce qu'il se fixe en place.
7. Répétez les étapes 2 à 6 pour la pose de la deuxième roue.
8. Alignez les trous de la tige portante (H) avec ceux du cadre de la génératrice.



9. Fixez la tige portante à l'aide de 4 vis à tête (J) et de 4 écrous hexagonaux (K). Serrez à l'aide d'une clé à douilles de 10 mm et d'une douille de 13 mm.
10. Remplacez la génératrice à sa position normale (sur les roues et la tige portante).

Raccordez le câble de retour de la batterie

Même si votre génératrice est munie d'un démarreur électrique, elle peut aussi être démarrée manuellement. Si vous décidez de ne pas utiliser le démarreur électrique, il n'est pas nécessaire de brancher le câble de retour de la batterie.

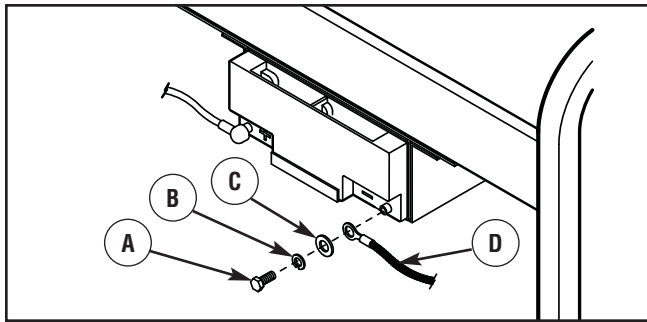
La batterie scellée sur le générateur est complètement chargée et pré-installée, à l'exception du câble (noir) de la batterie.

▲ AVERTISSEMENT Les bornes, les cosses ainsi que tous les accessoires reliés à la batterie contiennent du plomb et des composés de plomb - produits chimiques reconnus par l'État de la Californie comme causant des cancers et d'autres problèmes de reproduction. Nettoyez-vous les mains après la manipulation.

Installation:

1. Coupez la ceinture de câble pour libérer l'extrémité de retour (noire) du câble.

- À l'aide d'une clé à douille avec douille de 8 mm ou 5/16", dévissez la vis (A), ôtez la rondelle d'arrêt (B) et la rondelle plate (C) de la borne négative de la batterie.



- Branchez le rondelle frein, la rondelle plate et la câble de retour (noir) de la batterie (D) par-dessus la vis.
- Rattachez la vis au terminal négative de pile et serrez.
- Vérifiez que les branchements de la batterie et du générateur sont appropriés et sécuritaires.

AVIS Si la batterie est déchargée, veuillez la charger avant l'utilisation en suivant les instructions de la section *Chargeur de batterie*.

Ajoutez de l'huile à moteur

- Mettre le génératrice sur une surface à niveau.
- Nettoyez la surface autour de l'orifice de remplissage d'huile et enlevez le bouchon de remplissage d'huile jaune.
- À l'aide d'un entonnoir pour huile (optionnel), versez lentement le contenu des deux bouteilles d'huile fournies dans l'orifice de remplissage jusqu'au repère maximum ("Full") sur la jauge d'huile.

AVIS Le traitement inadéquat du génératrice peut l'endommager et réduire sa durée de vie utile.

- NE tentez JAMAIS de démarrer le moteur sans d'abord vérifier s'il a été entretenu de façon appropriée avec l'huile recommandée. Cela risquerait d'entraîner un bris de moteur.
- Remplacez le bouchon de remplissage d'huile et serrez-le solidement.

Ajoutez de l'essence

L'essence satisfait les exigences suivantes:

- Essence sans plomb fraîche et propre.
- Un indice d'octane minimum de 87/87 AKI (91 IOR). Utilisation à des altitudes élevées, consultez la section *Altitude élevée*.
- Une essence avec jusqu'à 10 % d'éthanol (gazohol) ou jusqu'à 15 % d'éther méthyltertiobutylique est acceptable.

AVIS Évitez d'endommager le génératrice.

Le manquement à suivre les recommandations relatives à l'huile du manuel d'utilisation annule la garantie.

- NE PAS utiliser d'essence non approuvée telle que E85.
- NE PAS mélanger l'huile avec l'essence.
- NE PAS modifier le moteur afin qu'il fonctionne avec d'autres types d'essence.

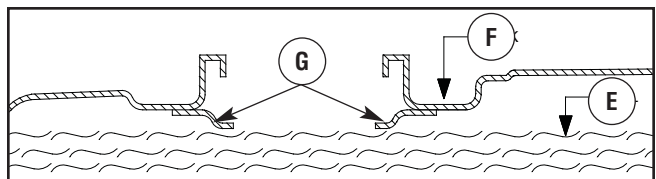
Au moment d'ajouter de l'essence, la mélanger avec un stabilisateur d'essence afin de protéger le circuit d'alimentation contre la formation de dépôts de gomme. Voir *Entreposage*. Les essences ne sont pas toutes pareilles. Si vous éprouvez des problèmes de démarrage ou de performance après avoir utilisé une essence, changez de fournisseur d'essence ou de marque d'essence. Le fonctionnement du moteur avec de l'essence est certifié. Ce dispositif antipollution pour ce moteur est de type EM (Modifications de moteur).

⚠ AVERTISSEMENT L'essence et ses vapeurs sont extrêmement inflammables et explosives qui pourraient causer des brûlures, un incendie ou une explosion risquant d'entraîner la mort, des blessures graves et/ou des dommages matériels.

LORS DE L'AJOUT DU CARBURANT

- Éteignez le moteur de la génératrice et laissez-le refroidir pendant au moins 2 minutes avant de retirer le bouchon à essence. Desserrez lentement le capuchon pour laisser la pression s'échapper du réservoir.
- Remplissez le réservoir d'essence à l'extérieur.
- NE remplissez PAS trop le réservoir. Laissez l'expansion de l'essence.
- Attendez le carburant renversé pour s'évaporer avant de démarrer le moteur.
- Éloignez l'essence des étincelles, des flammes, des veilleuses, de la chaleur et de toute autre source d'inflammation.
- Vérifiez si les conduits d'essence, le réservoir, le bouchon et les raccords comportent des fissures ou des fuites. Remplacez au besoin.
- N'ALLUMEZ PAS de cigarette ou ne fumez pas à proximité de l'appareil.

- Nettoyez la partie autour du bouchon du réservoir d'essence, enlevez le bouchon.
- Ajoutez lentement de l'essence sans plomb (E) dans le réservoir d'essence (F). Faites attention de ne pas dépasser la chicane (G) en remplissant. Cela laisse un espace adéquat pour l'expansion de l'essence, tel que montré.



- Installez le bouchon à essence et attendez le carburant renversé pour s'évaporer.

Altitude élevée

À des altitudes élevées (plus de 1 524 m / 5 000 pi), il est acceptable d'utiliser des essences présentant un indice minimum de 85 octane / 85 AKI (89 IOR). Un réglage pour les altitudes élevées est requis pour respecter les normes relatives aux émissions. Une utilisation sans ce réglage entraîne une diminution de la performance, une augmentation de la consommation d'essence et des émissions. Consultez un détaillant Briggs & Stratton autorisé au sujet de renseignements relatifs au réglage pour les altitudes élevées. L'utilisation à des altitudes inférieures à 762 mètres (2 500 pieds) avec la trousse pour les altitudes élevées n'est pas recommandée.

Mise à la terre du système

La génératrice possède une mise à la terre du système qui raccorde les éléments du cadre de la génératrice aux bornes de mise à la terre des prises de sortie C.A. La mise à la terre du système est raccordée au fil neutre C.A. (le neutre est raccordé au cadre de la génératrice).

Exigences spéciales

Il se peut que la réglementation d'une agence fédérale ou provinciale de santé et de sécurité du travail, des codes de sécurité nationaux ou provinciaux ou des ordonnances régissent l'utilisation prévue de la génératrice. Veuillez consulter un électricien qualifié, un inspecteur en électricité ou l'agence compétente de votre région.

- Dans certains territoires, il faut enregistrer la génératrice auprès du fournisseur de l'alimentation de service.
- Des règlements additionnels régissent peut-être l'utilisation de la génératrice sur les chantiers de construction.

Branchement au système électrique d'un édifice

Seuls les électriciens qualifiés sont habilités à brancher la génératrice au système électrique d'un édifice pour en faire une source d'alimentation de réserve. Il faut que l'alimentation de la génératrice soit isolée de l'alimentation de service ou d'autres sources d'alimentation et que le branchement soit conforme à toute la législation applicable et à tous les codes de l'électricité.

⚠ AVERTISSEMENT La tension de la génératrice peut causer un choc électrique ou des brûlures risquant d'entraîner la mort et des blessures graves.

- Utilisez l'équipement de transfert approuvé pour empêcher la rétroaction en isolant la génératrice des employés du service de distribution électrique.
- Veuillez aviser votre fournisseur d'alimentation en électricité lorsque vous utilisez votre génératrice comme alimentation de secours.
- Utilisez un disjoncteur différentiel lorsque vous utilisez l'appareil dans des endroits humides ou extrêmement conductibles, comme les terrasses en métal ou les ouvrages métalliques.
- NE TOUCHEZ PAS les fils dénudés ou les boîtiers.
- N'UTILISEZ PAS la génératrice avec des cordons électriques usés, effilochés ou dénudés, ou abîmés de quelque sorte que ce soit.
- N'utilisez PAS la génératrice sous la pluie ou lors de températures pluvieuses.
- NE MANIPULEZ PAS la génératrice ou les cordons d'alimentation lorsque vous êtes debout dans l'eau, pieds nus ou avec les mains ou les pieds humides.
- NE LAISSEZ PAS des personnes non qualifiées ou des enfants se servir ou réparer la génératrice.

Emplacement de la génératrice

Dégagement de la génératrice

⚠ AVERTISSEMENT La chaleur et les gaz d'échappement peuvent enflammer des matériaux combustibles et les structures ainsi que causer des dommages au réservoir d'essence et provoquer un incendie risquant d'entraîner la mort, des blessures graves et/ou des dommages matériels.

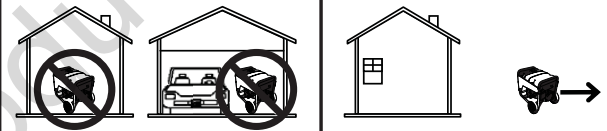
- Laissez un dégagement d'au moins 1,5 m (5 pi) tout autour de la génératrice, y compris au-dessus.

Placez la génératrice dans un endroit bien ventilé qui permet l'élimination des gaz d'échappement mortels. N'installez PAS la génératrice dans un endroit où les gaz d'échappement (A) pourraient s'accumuler et pénétrer ou être aspirés dans un édifice qui pourrait être occupé. Assurez-vous que les gaz d'échappement ne puissent entrer par une fenêtre, une porte, une prise d'aération ou une autre ouverture qui pourrait leur permettre de s'accumuler dans un espace restreint. Tenez aussi compte des vents dominants et des courants d'air au moment de choisir l'endroit où vous installerez la génératrice.

⚠ DANGER

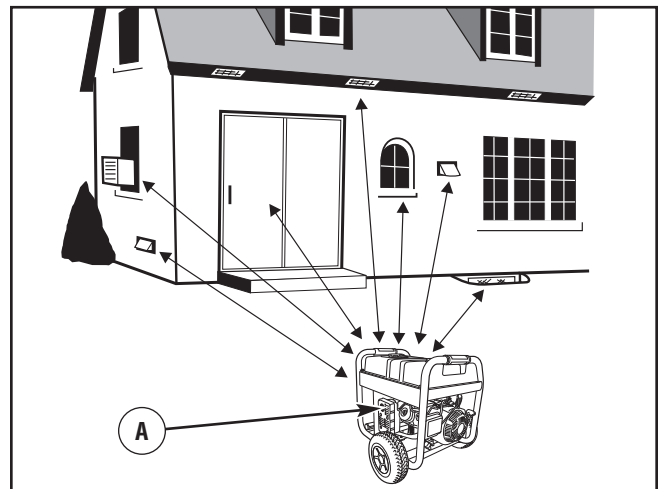
L'utilisation d'une génératrice à l'intérieur PEUT PROVOQUER LA MORT EN QUELQUES MINUTES.

Les gaz d'échappement de la génératrice contiennent du monoxyde de carbone. Il s'agit d'un poison que vous ne pouvez ni voir ni sentir.



NE JAMAIS utiliser la génératrice dans une maison ou un garage, **MÊME SI** les portes et les fenêtres sont ouvertes.

Utilisez seulement à l'**EXTÉRIEUR** et loin de fenêtres, portes et événements.

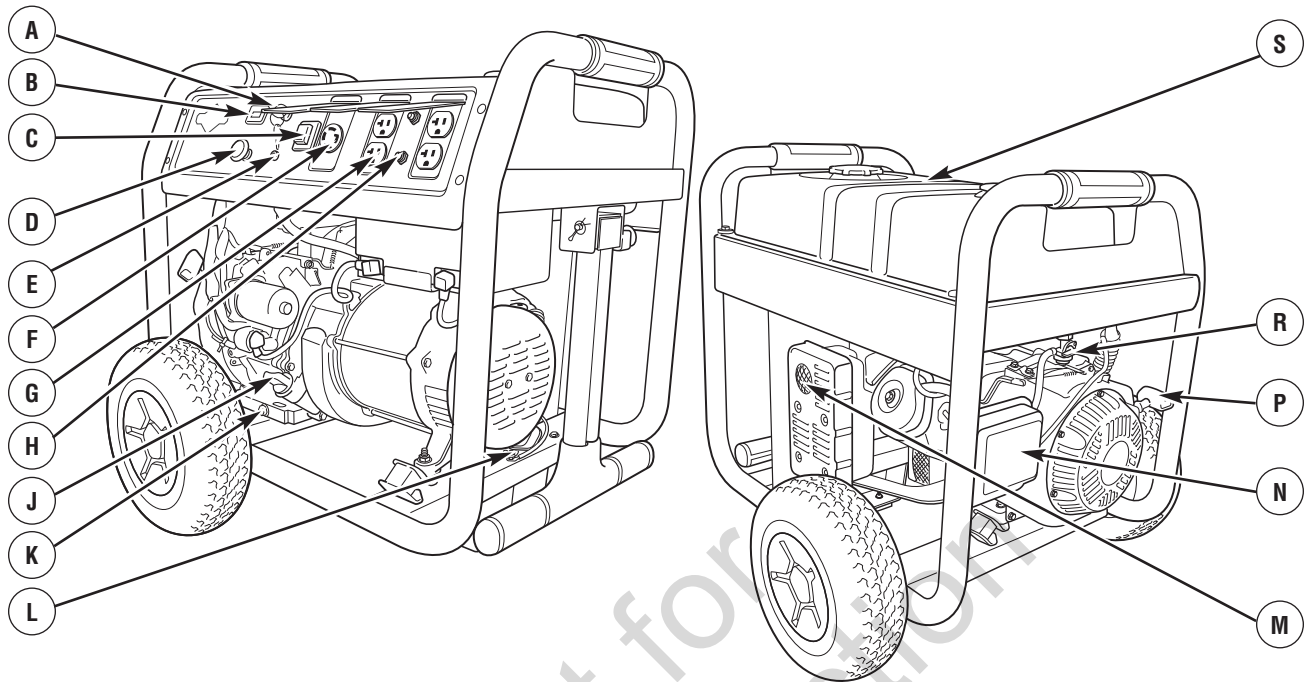


Fonctions et commandes



Lire ce manuel de l'utilisateur et les règles de sécurité avant de faire marcher votre génératrice.

Comparez les illustrations avec votre génératrice pour vous familiariser avec l'emplacement des diverses commandes et réglages. Gardez ce manuel pour le consulter plus tard.



A - Interrupteur de démarrage — Tournez la clé à la position « **Start** » pour démarrer le moteur. Tournez la clé à la position « **Off** » pour arrêter le moteur.

B - Mètre d'heure — Les expositions et enregistre comment beaucoup d'heures que votre générateur a couru (jusqu'à 9,999.9).

C - Disjoncteur bipolaire — La prise verrouillable de 120/240 volts c.a., 30 A sont munies d'un disjoncteur bipolaire pour protéger la génératrice contre les surcharges.

D - Levier d'étrangleur — Utilisé lorsque vous faites un démarrage à froid du moteur.

E - Chargeur à tampon de batterie — Utilisez la prise du chargeur à tampon de la batterie pour conserver la charge de la batterie de démarrage et pour qu'elle soit prête à être utilisée.

F - Prise de 120/240 Volts c.a., 30 Ampères — Peut être utilisée pour fournir du courant électrique pour faire marcher des systèmes d'éclairage, des appareils, des outils ou des moteurs nécessitant 120 Volts et/ou 240 Volts c.a., 30 Ampères, monophasés, 60 Hertz.

G - Prises de courant double de 120 Volts c.a., 20 Ampères - peuvent être utilisées pour fournir l'alimentation électrique de l'éclairage, des électroménagers, des outils ou des moteurs de 120 Volts, 20 Ampères, monophasés, 60 Hz.

H - Disjoncteur (C.A.) — La prise double de 120 volts c.a., 20 A est munie d'un disjoncteur de type « pousser pour réarmer » pour protéger la génératrice contre les surtensions.

J - Bouchon de remplissage et jauge d'huile — Vérifiez le niveau d'huile et remplir l'huile à moteur ici.

K - Bouchon de vidange d'huile — Vidangez l'huile du moteur ici.

L - Fixation de mise à la masse — Consultez l'agence compétente de votre région au sujet des exigences de mise à la masse.

M - Pot d'échappement avec arrêteur d'étincelles — Le pot d'échappement diminue le bruit du moteur est équipé d'un écran arrêteur d'étincelles.

N - Filtre à air — Utilisez un élément de filtre du type sec et un pré-filtre en mousse pour limiter le montant de saleté et de poussières entrant dans le moteur.

P - Démarrage à recul — Utilisé pour démarrer le moteur manuellement.

R - Robinet de carburant — Utilisé pour alimenter le moteur en essence ou pour couper l'alimentation en essence du moteur.

S - Réservoir de carburant — Capacité de 7 gallons Etats-Unis (26.5 l).

Articles non montrés:

Identification du moteur — Fournit le numéro du modèle, le type et le code du moteur. S'il vous plaît avoir ces facilement disponible si appeler l'assistance.

Étiquettes d'identification - Fournit le modèle, la révision et le numéro de série de générateur. S'il vous plaît avoir ces facilement disponible si appeler l'assistance.

Cordons et prises

N'utilisez que des rallonges de haute qualité mises à la terre et bien isolées dans les prises de la génératrice. Inspectez les rallonges avant chaque utilisation.

Vérifiez le calibre de chacune des rallonges avant de les utiliser. Les rallonges utilisées doivent pouvoir supporter des charges C.A. à 20 ampères (ou plus) pour 125 Volts. Consultez les manuels d'utilisation des appareils à alimenter pour obtenir les recommandations du fabricant.

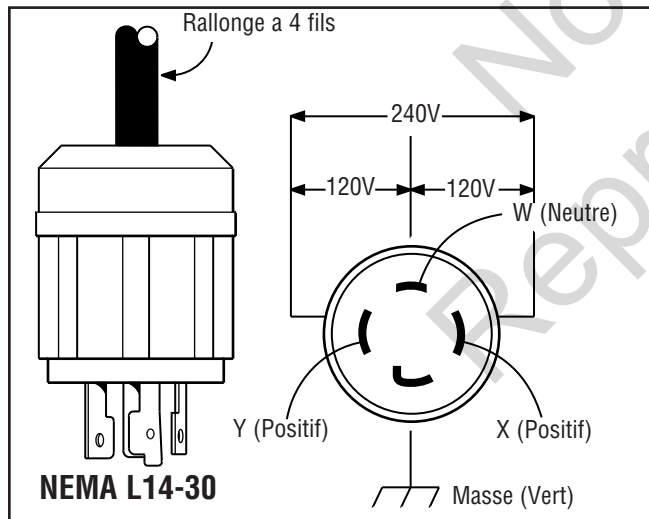
Utilisez des rallonges les plus courtes que possible pour minimiser les chutes de tension.

⚠ AVERTISSEMENT Les cordons électriques endommagés ou surchargés peuvent causer une surchauffe, un arc électrique et des brûlures risquant d'entraîner la mort, des blessures graves et/ou des dommages matériels.

- Utiliser seulement les cordons ayant des valeurs nominales appropriées à vos charges.
- Veuillez suivre toutes les consignes de sécurité relatives aux cordons électriques.
- Inspectez l'ensemble de cordons d'alimentation avant chaque utilisation.

Prise à verrouillage de 120/240 Volts c.a., 30 Ampères

Utilisez une prise mâle du NEMA L14-30 avec cette prise femelle. Reliez une rallonge à quatre câbles de 250 Volts c.a. à 30 Ampères ou davantage. Vous pouvez utiliser la même rallonge à quatre câbles si vous avez l'intention de ne faire marcher qu'une charge de 120 Volts.



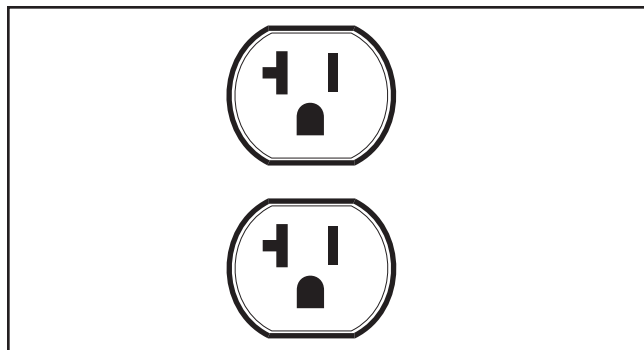
Cette prise donne du courant à des charges de 120/240 Volts c.a., 60 Hertz, monophasées, nécessitant jusqu'à 3,600 watts de puissance (3,6 kW) à 30 Ampères pour 120 Volts; 7,200 watts de puissance (7,2 kW) à 30 Ampères pour 240 Volts. La prise est protégée par un disjoncteur bipolaire avec interrupteur à bascule.

AVIS Il se peut que la capacité nominale des prises soit supérieure à la puissance nominale de la génératrice.

- NE tentez JAMAIS d'alimenter un appareil dont l'intensité nominale est supérieure à la capacité de la génératrice ou des prises.
- NE surchargez PAS la génératrice. Voir la section *Ne Surchargez Pas Générateur*.

120 Volts c.a., 20 Ampères prise de courant double

Chaque prise de courant est protégée contre les surtensions par un disjoncteur de type "pousser pour réarmer".

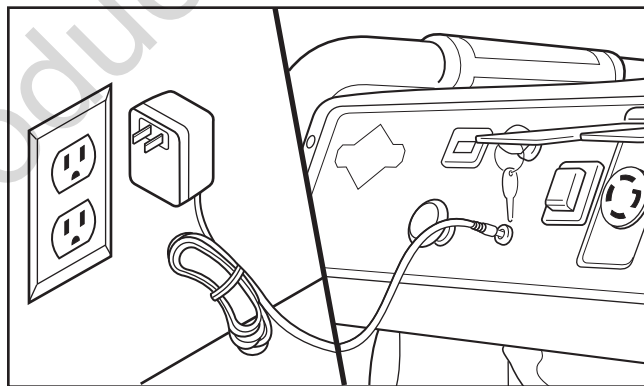


Utilisez chaque prise de courant pour faire fonctionner les charges électriques de 120 volts c.a., monophasées, 60 Hz nécessitant jusqu'à 2,400 watts (2,4 kW) à 20 ampères.

Chargeur de batterie

Utilisez une prise de chargeur de flotteur pour que la batterie de démarrage reste chargée et prête à l'utilisation. Le chargement de la batterie doit être effectué dans un endroit sec, à l'intérieur d'un garage par exemple.

1. Branchez le chargeur à la prise "Chargeur de flotteur de la batterie", située sur l'interrupteur de démarrage. Branchez le chargeur de la batterie dans une prise de courant murale de 120 volts c.a..



2. Débranchez le chargeur de l'appareil et de la prise de courant lorsque vous démarrez le générateur et lorsqu'il est en marche.
3. Laissez le chargeur branché lorsque le générateur n'est pas utilisé; vous prolongerez ainsi la durée de vie de la batterie. Le chargeur est équipé d'un stabilisateur et ne surchargera pas la batterie, même lorsque vous le laissez branché pendant une longue période.

AVIS Voir la section *Entretien de la batterie* pour de plus amples renseignements.

Opération

Démarrage du moteur

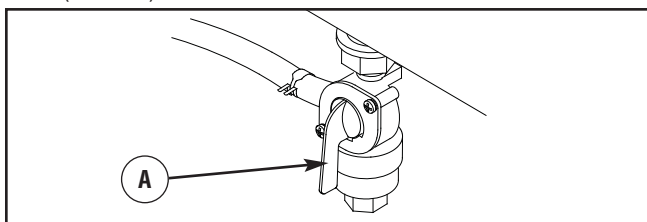
AVIS Débranchez toujours le chargeur de flotteur de la batterie avant de démarrer le générateur.

Déconnectez toutes les charges électriques du générateur. Suivez ces étapes d'instructions de démarrage dans l'ordre numérique:

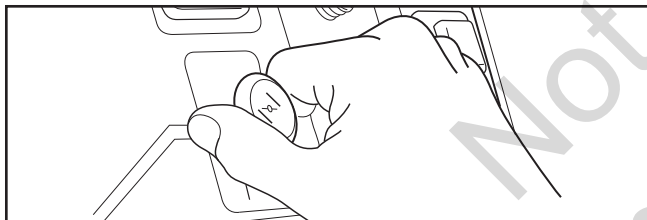
1. Assurez-vous que la génératrice se trouve sur une surface de niveau.

AVIS Si la génératrice n'est pas sur une surface de niveau, elle pourrait ne pas démarrer ou encore s'arrêter spontanément.

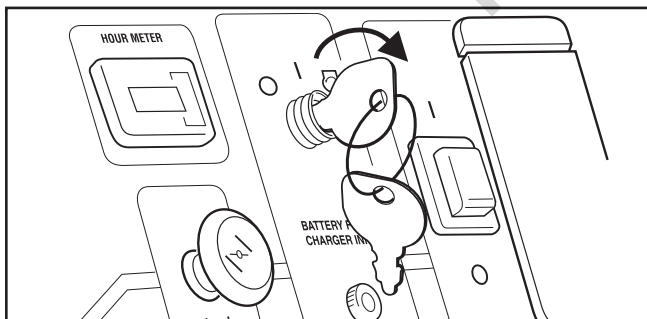
2. Tournez la valve d'essence (A) sur la position "On" (Marche).



3. Tirez le levier d'étrangleur de manière à fermer l'étrangleur (|X|).



- 4A. **Pour un démarrage électrique**, tournez et maintenez la clé dans l'interrupteur de démarrage à la position démarre « ⏻ » jusqu'à ce que la génératrice démarre. Afin de prolonger la durée de vie utile des pièces du démarreur, NE maintenez PAS la clé à la position démarre « ⏻ » plus de 15 secondes et attendez au moins 1 minute entre chaque essai.



- Si le moteur démarre, passez à l'étape 6.
- Si le moteur ne démarre pas, passez à l'étape 5.

AVIS Si la batterie est déchargée, suivez les instructions de démarrage manuel.

- 4B. **Pour un démarrage manuel**, tournez la clé dans l'interrupteur de démarrage à la position courir « I », saisissez la poignée du lanceur et tirez-la jusqu'à ce que vous sentiez une légère résistance. Tirez alors rapidement, une fois seulement, pour démarrer le moteur.
 - Si le moteur démarre, passez à l'étape 6.
 - Si le moteur ne démarre pas, passez à l'étape 5.

⚠ AVERTISSEMENT Un effet de recul (rétroaction rapide) de la corde du démarreur tirera votre main et votre bras vers le moteur plus rapidement que vous ne pouvez relâcher la corde; ce qui pourrait causer des fractures, des ecchymoses ou des entorses risquant d'entraîner des blessures graves.

- Lors du démarrage du moteur, tirez lentement sur la corde jusqu'à ce que vous sentiez une résistance et tirez alors rapidement afin d'éviter un effet de recul.
- NE démarrez JAMAIS ni n'arrêtez jamais le moteur alors que des appareils électriques y sont branchés et en fonction.

5. Enfoncez à moitié la poignée de l'étrangleur, tournez la clé dans l'interrupteur de démarrage à la position courir « I », tirez la poignée du lanceur à deux reprises et tournez et maintenez la clé dans l'interrupteur de démarrage à la position démarre « ⏻ » tel que décrit à l'étape 4A.

- Si le moteur ne démarre pas, effectuez de nouveau les étapes de 3 à 4.

6. Ouvrez graduellement l'étrangleur à mesure que le moteur se réchauffe en appuyant sur la poignée de l'étrangleur.

AVIS Si le moteur se noie, poussez sur la poignée d'étrangleur jusqu'à ce qu'elle soit complètement rentrée et faites tourner le moteur jusqu'à ce qu'il démarre.

AVIS Si le moteur démarre après 3 essais, mais qu'il ne fonctionne pas, ou qu'il s'arrête, assurez-vous que la génératrice se trouve sur une surface de niveau et vérifiez si le carter du moteur contient suffisamment d'huile. Il se peut que cette génératrice soit munie d'un système de protection en cas de bas niveau d'huile. Si c'est le cas, le niveau d'huile doit toujours être au niveau approprié pour permettre le démarrage du moteur.

⚠ AVERTISSEMENT La chaleur et les gaz d'échappement peuvent enflammer des matériaux combustibles et les structures ainsi que causer des dommages au réservoir d'essence et provoquer un incendie risquant d'entraîner la mort, des blessures graves et/ou des dommages matériels.

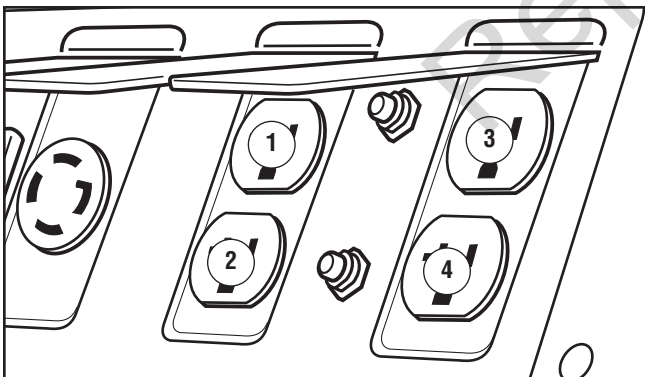
Tout contact avec la zone du silencieux peut causer des brûlures risquant d'entraîner des blessures graves.

- NE touchez PAS aux pièces chaudes et ÉVITEZ le contact avec les gaz d'échappement.
- Laissez l'équipement refroidir avant de le toucher.
- Laissez un dégagement d'au moins 1,5 m (5 pi) tout autour de la génératrice, y compris au-dessus.
- L'utilisation ou le fonctionnement d'un moteur sur un terrain boisé, couvert de broussailles ou gazonné constitue une violation dans l'État de la Californie, en vertu de la section 4442 du California Public Resources Code, à moins qu'il ne soit doté d'un pare-étincelles tel que défini dans la section 4442 et maintenu en bon état de fonctionnement. Il se peut que d'autres États ou d'autres compétences fédérales aient des lois semblables. Communiquez avec le fabricant, le détaillant ou le concessionnaire original de l'appareil afin d'obtenir un pare-étincelles conçu pour le système d'échappement installé sur ce moteur.
- Les pièces de rechange doivent être identiques aux pièces d'origine et être installées à la même position.

Branchement des charges électriques

1. Laissez le moteur se réchauffer et se stabiliser durant quelques minutes à la suite du démarrage.
2. Assurez-vous que le disjoncteur sur le panneau de commande est à la position marche « I ».
3. Raccordez et tournez à la position désirée pour les appareils électriques fonctionnant sous 120 et ou 240 volts C.A., monophasés 60 Hz.

AVIS Lors du branchement dans les prises de 120 Volts, branchez les unités à alimenter selon la séquence montrée ci-dessous.



AVIS

- NE PAS brancher des charges de 240 Volts à des prises de 120 Volts.
- NE PAS brancher des charges triphasées au génératrice.
- NE PAS brancher des charges de 50 Hertz au génératrice.
- NE PAS SURCHARGER GÉNÉRATRICE. Voir la section *NE PAS Surcharger Génératrice*.

AVIS Dépasser la capacité en watts/ampères de la génératrice peut endommager la génératrice et/ou les appareils électriques qui y sont branchés.

- NE dépassez PAS la capacité en watts/ampères de la génératrice. Voir la rubrique *Ne surchargez pas votre génératrice* dans la section *Opération*.
- Démarrez le génératrice et laissez le moteur se stabiliser avant de brancher les charges électriques.
- Branchez les charges électriques en position ARRÊT, puis, remettez en position MARCHÉ.
- Éteignez les charges électriques et débranchez-les du génératrice avant de l'arrêter.

Arrêt du moteur

1. Débrancher **toutes** les charges électriques des prises du génératrice. NE JAMAIS mettre en route ou arrêter le moteur alors que les appareils électriques sont branchés et en MARCHÉ.
2. Laissez le moteur tourner à vide pendant deux minutes pour stabiliser les températures internes du moteur et du génératrice.
3. Tournez la clé à la position arrêt « 0 ».

⚠ AVERTISSEMENT L'essence et ses vapeurs sont extrêmement inflammables et explosives qui pourraient causer des brûlures, un incendie ou une explosion risquant d'entraîner la mort, des blessures graves et/ou des dommages matériels.

- N'arrêtez PAS le moteur en plaçant le levier d'étrangleur à la position étrangleur (I\I).

4. Réglez la vanne de combustible à la position "Off" (Arrêt).

Arrêt en cas de bas niveau d'huile

Si le niveau d'huile du moteur est inférieur au niveau prédéterminé, un pressostat arrêtera le moteur. Vérifiez le niveau d'huile avec une jauge d'huile.

Si le niveau d'huile est entre les repères ajouter (« ADD ») et maximum (« FULL ») sur la jauge d'huile:

1. N'essayez PAS de redémarrer le moteur.
2. Contactez un distributeur de service de Briggs & Stratton agréé.
3. N'utilisez PAS le moteur tant que le niveau d'huile n'aura pas été rectifié.

Si le niveau d'huile est sous le repère ajouter (« ADD ») sur la jauge d'huile :

1. Ajoutez de l'huile pour ramener le niveau jusqu'au repère maximum (« FULL »).
2. Redémarrez le moteur et s'il s'arrête à nouveau, la pression d'huile est peut-être encore trop faible. N'essayez PAS de redémarrer le moteur.
3. Contactez un distributeur de service de Briggs & Stratton agréé.
4. N'utilisez PAS le moteur tant que le niveau d'huile n'aura pas été rectifié.

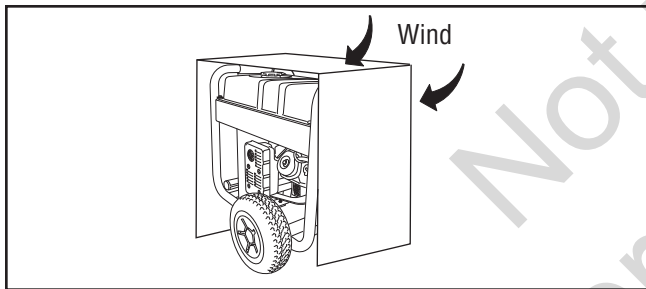
Fonctionnement par temps froid

Sous certaines conditions climatiques (température sous 4 °C [40 °F] avec humidité élevée) du givre pourrait s'accumuler dans le carburateur ou le système de reniflard du carter de votre génératrice. Pour réduire ce problème, il faut prendre les mesures suivantes:

1. Assurez-vous que la génératrice ait du combustible propre et frais.
2. Ouvrez la valve à essence (tournez la valve à la position ouverte).
3. Utilisez de l'huile SAE 5W-30.
4. Vérifiez quotidiennement le niveau de l'huile ou après chaque période de huit (8) heures de fonctionnement.
5. Entretenez la génératrice conformément aux instructions du *Calendrier d'entretien*.
6. Protégez l'unité contre les intempéries.

Création d'un abri temporaire pour les temps froids

1. Pour abri temporaire, utilisez l'emballage original en carton.
2. Découpez les rabats supérieurs et un des côtés longs du carton pour exposer le côté de l'unité où se trouve le silencieux. Au besoin, utilisez du ruban sur les autres côtés du carton pour l'adapter à la génératrice tel que montré.



AVIS Au besoin, retirez les roues pour que le carton s'adapte à la génératrice, tel que montré.

3. Découpez des orifices appropriés pour avoir accès aux prises de l'unité.
4. Placez le côté exposé à l'abri du vent et des éléments.

▲ AVERTISSEMENT Le moteur, lorsqu'il fonctionne, produit du monoxyde de carbone, un gaz toxique inodore et incolore.

L'inhalation du monoxyde de carbone peut entraîner la mort, des blessures graves, des maux de tête, de la fatigue, des étourdissements, le vomissement, de la confusion, des crises épileptiques, des nausées et l'évanouissement.

- Faites fonctionner cet appareil **UNIQUEMENT** à l'extérieur.
- Installez un avertisseur de monoxyde de carbone à piles près des chambres à coucher.
- Évitez que les gaz d'échappement entrent dans un espace restreint, par une fenêtre, une porte, une prise d'aération ou toute autre ouverture.
- NE faites PAS fonctionner ce produit à l'intérieur d'un bâtiment, d'un abri de voiture, d'un porche, de l'équipement mobile, lors d'applications marines ou dans un lieu clos, même si les fenêtres et les portes sont ouvertes.

5. Placez la génératrice tel que décrit dans la section *Emplacement de la génératrice*. Assurez-vous que les gaz d'échappement ne puissent entrer dans un espace restreint par une fenêtre, une porte, une prise d'aération ou une autre ouverture.
6. Démarrez la génératrice tel que décrit dans la section *Démarrage du moteur*, puis placez le carton sur la génératrice. Laissez un dégagement d'au moins 1,5 m (5 pi) tout autour de la génératrice, y compris au-dessus, lorsque l'abri en place.

▲ AVERTISSEMENT



La chaleur et les gaz d'échappement peuvent enflammer des matériaux combustibles et les structures ainsi que causer des dommages au réservoir d'essence et provoquer un incendie risquant d'entraîner la mort, des blessures graves et/ou des dommages matériels.

Tout contact avec la zone du silencieux peut causer des brûlures risquant d'entraîner des blessures graves.

- NE touchez PAS aux pièces chaudes et ÉVITEZ le contact avec les gaz d'échappement.
- Laissez l'équipement refroidir avant de le toucher.
- Laissez un dégagement d'au moins 1,5 m (5 pi) tout autour de la génératrice, y compris au-dessus.
- Retirez l'abri lorsque la température s'élève à plus de 4 °C [40 °F].

7. Retirez l'abri lorsque la température s'élève à plus de 4 °C [40 °F].
8. Arrêtez le moteur et laissez-le refroidir pendant deux (2) minutes avant de remplir le réservoir. Essayez tout déversement d'essence.

Création d'un abri pour les temps froids

1. À l'aide de matériaux incombustibles ayant une cote de résistance au feu d'au moins une heure, fabriquez une structure qui entourera trois côtés et le dessus de la génératrice. Assurez-vous que le côté du silencieux de la génératrice soit exposé.

AVIS Communiquez avec votre marchand local de matériaux de construction au sujet des matériaux incombustibles ayant une cote de résistance au feu d'au moins une heure.

AVIS Assurez-vous que l'abri puisse être repositionné en fonction de la direction du vent.

2. N'enveloppez PAS la génératrice plus que ce qu'indique l'illustration. L'abri devrait contenir suffisamment de chaleur produite par la génératrice pour éviter les problèmes de givrage.

AVIS Lorsque des roues sont installées sur la génératrice, augmentez la dimension de l'abri en conséquence.

3. Suivez les étapes 3 à 8 tel que décrit précédemment dans la section *Création d'un abri temporaire pour les temps froids*.

Ne pas surchargez générateur

Capacité

Vous devez vous assurer que votre générateur puisse fournir suffisamment de puissance nominale (appareil en marche) et de surtension (au démarrage) pour les appareils que vous voulez alimenter en même temps. Suivez ces étapes simples:

1. Sélectionnez les appareils que vous voulez alimenter simultanément.
2. Additionnez la puissance nominale (en marche) de ces appareils. Vous obtiendrez le montant de puissance que votre générateur doit produire pour faire fonctionner ces appareils. Voir le tableau à droite.
3. Évaluez le nombre de watts de surtension dont vous aurez besoin (au démarrage). La puissance de surtension est la brève explosion de puissance nécessaire pour démarrer les outils à moteur électrique ou les appareils électroménagers comme une scie circulaire ou un réfrigérateur. Parce que tous les moteurs ne démarrent pas au même moment, vous pouvez évaluer la puissance de surtension totale en additionnant seulement le ou les article(s) pour le(s)quel(s) la puissance de surtension supplémentaire est la plus importante, à la puissance nominale indiquée à l'étape 2.

Exemple:

Outil ou appareil	Puissance de fonctionnement (nominale)	Puissance de démarrage (crête) supplémentaire
Pompe de puits	1200	2100
Réfrigérateur	700	2200
Ventilateur de fournaise	800	2350
Téléviseur	500	—
Ampoule électrique (75 watts)	75	—

Puissance de fonctionnement totale de 3 275 watts
Puissance de démarrage la plus élevée de 2 350 watts

Puissance nominale (appareil en marche) = 3,275

Watts de surtension supplémentaire = 2,350

Puissance totale du générateur supplémentaire = 5,625

Gestion de la consommation

Afin de prolonger la durée de vie de votre générateur et des accessoires, il est important de faire attention lorsque vous ajoutez des charges électriques à votre générateur. Aucun appareil ne doit être branché aux prises du générateur avant de démarrer le moteur. La manière correcte et sans aucun risque de gérer la consommation du générateur est d'ajouter séquentiellement des charges comme indiqué ci-dessous:

1. Démarrez le moteur comme l'indique ce manuel, sans aucun appareil branché au générateur.
2. Branchez et mettez en marche la première charge, la plus importante de préférence.
3. Laissez la puissance de sortie du générateur se stabiliser (le moteur tourne régulièrement et les dispositifs branchés fonctionnent correctement).

4. Branchez et mettez la charge suivante en marche.
5. De nouveau, laissez le générateur se stabiliser.
6. Répétez les étapes 4 et 5 pour chaque charge supplémentaire.

N'AJOUTEZ JAMAIS de charges supérieures à la puissance du générateur. Vérifiez particulièrement les charges de surtension de la capacité du générateur, comme il est indiqué ci-dessus.

GUIDE DE RÉFÉRENCE DE PUISSANCE		
Outil ou appareil	Puissance (de fonctionnement) nominale*	Puissance de crête (de démarrage) supplémentaire
Essentiels		
Ampoule électrique - 75 watts	75	—
Ventilateur de fournaise -1/2 HP	800	2350
Pompe de puisard -1/3 HP	800	1300
Réfrigérateur/congélateur	700	2200
Pompe de puits -1/2 HP	1000	2100
Chauffage/refroidissement		
Climatiseur de fenêtre -10 000 BTU	1200	3600
Humidificateur - 49,21 l (13 gal)	175	—
Climatiseur central - 24,000 BTU	3800	11400
Cuisine		
Four à micro-ondes - 1 000 watts	1000	—
Cafetière	1000	—
Cuisinière électrique - 8" élément	2100	—
Grille-pain	850	—
Salle familiale		
Lecteur DVD/CD	100	—
Magnétoscope	100	—
Récepteur stéréo	450	—
Téléviseur en couleurs - 27 po	500	—
Ordinateur personnel muni d'un écran de 17 po	800	—
Autre		
Système de sécurité	500	—
Radio-réveil AM/FM	100	—
Ouvre-porte de garage - 1/2 HP	875	2350
Chauffe-eau électrique	4700	11700
Site de travail/bricolage		
Lampe de travail à quartz-halogène	1000	—
Pistolet sans air - 1/3 HP	600	1200
Scie alternative	960	—
Perceuse électrique - 1/2 HP	600	900
Scie circulaire - 7 1/4 po	1400	2300
Scie à onglet - 10 po	1800	1800
Raboteuse - 6 po	1800	1800
Scie d'établi/radiale - 10 po	2000	2000
Compresseur d'air -1 HP	1600	4500

*La puissance indiquée ci-dessus est approximative. Vérifiez les outils ou les appareils électroménagers pour connaître leur puissance en watts.

Entretien

Calendrier d'entretien

Respectez le calendrier d'entretien selon le nombre d'heures de fonctionnement ou le temps écoulé, le premier des deux prévalant. Lorsque l'appareil est utilisé dans les conditions adverses décrites ci-dessous, il faut en faire l'entretien plus fréquemment.

5 premières heures
• Changement d'huile à moteur
Aux 8 heures ou quotidiennement
• Nettoyez les débris
• Vérifier le niveau d'huile
Aux 25 heures ou 1 fois l'an
• Nettoyez le filtre à air du moteur ¹
Aux 50 heures ou 1 fois l'an
• Changement d'huile à moteur ¹
Annuellement
• Remplacez le filtre à air du moteur ¹
• Vanne de combustible de service
• Faire l'entretien des bougies d'allumage
• Inspectez le silencieux et l'écran pare-étincelles
• Nettoyez le système de refroidissement ¹

¹ Remplacez les pièces plus fréquemment si vous utilisez l'appareil dans un milieu sale ou poussiéreux.

Recommandations générales

Un entretien régulier améliorera la performance et prolongera la durée de vie de la génératrice. Consultez un détaillant autorisé pour l'entretien.

La garantie de la génératrice ne couvre pas les éléments soumis à l'abus ou à la négligence de l'opérateur. Pour qu'elle soit entièrement valide, l'opérateur doit entretenir la génératrice conformément aux instructions contenues dans ce manuel.

Certains ajustements devront être faits périodiquement pour assurer un entretien adéquat de la génératrice.

Il faut effectuer toutes les opérations d'entretien et les réglages au moins une fois par saison. Suivez les instructions du "Calendrier d'entretien" ci-dessus

AVIS Une fois par année, vous devez nettoyer ou remplacer la bougie d'allumage et remplacer le filtre à air. Une nouvelle bougie d'allumage et un filtre à air propre permettent d'assurer que le mélange essence-air est adéquat en plus de contribuer au meilleur fonctionnement de votre moteur et d'augmenter sa durée de vie.

Dispositif antipollution

L'entretien, le remplacement ou la réparation des dispositifs et systèmes antipollution peuvent être effectués par un établissement de réparation de moteurs hors route

ou par une personne qualifiée. Pour obtenir un entretien « sans frais » du dispositif antipollution, le travail doit être effectué par un détaillant autorisé par le fabricant. Voir la *garantie du dispositif antipollution*.

Entretien de génératrice

L'entretien de la génératrice consiste à garder l'unité propre et sèche. Faites fonctionner et entreposez l'unité dans un environnement propre et sec où elle ne sera pas exposée à la poussière, saletés, humidité excessive ni à des vapeurs corrosives. Les fentes de refroidissement du moteur de la génératrice ne doivent pas être obstruées par de la saleté, des feuilles ou d'autres corps étrangers.

AVIS N'utilisez PAS d'eau ou d'autres liquides pour nettoyer la génératrice. Les liquides peuvent s'introduire dans le système d'alimentation en essence et causer une performance médiocre et/ou des pannes. De plus, si des liquides entrent dans la génératrice par les fentes de refroidissement, une partie des liquides peut être retenue dans les parties vides et les fissures du rotor et les couches isolantes d'enroulements du stator. L'accumulation de liquide et de poussière dans les enroulements internes de la génératrice diminuera éventuellement la résistance des couches isolantes des enroulements.

Nettoyage de génératrice

Nettoyez les débris accumulés sur la génératrice à tous les jours ou avant de l'utiliser. Gardez toujours la tringlerie, le ressort et les commandes propres. Gardez la zone autour et derrière le silencieux libre de débris combustibles. Inspectez les fentes de refroidissement et les orifices de la génératrice. Ces ouvertures doivent demeurer propres et non obstruées. Les parties de la génératrice doivent être gardées propres afin de réduire le risque de surchauffe et d'inflammation des débris accumulés.

- Utilisez un linge humide pour nettoyer les surfaces extérieures.

AVIS Le traitement inadéquat de la génératrice pourrait l'endommager et réduire sa durée de vie utile.

- N'EXPOSEZ PAS la génératrice à une humidité excessive, à de la poussière, à de la saleté ou à des vapeurs corrosives.
- N'INSÉREZ aucun objet dans les fentes de refroidissement.
 - Utilisez une brosse à soies douces pour détacher les accumulations de saletés ou d'huile.
 - Utilisez un aspirateur pour ramasser les saletés et débris.

Entretien de la batterie

La batterie ne nécessite aucun entretien autre que le chargement à flotteur, décrit dans le présent manuel. Gardez la batterie et les bornes propres et sèches.

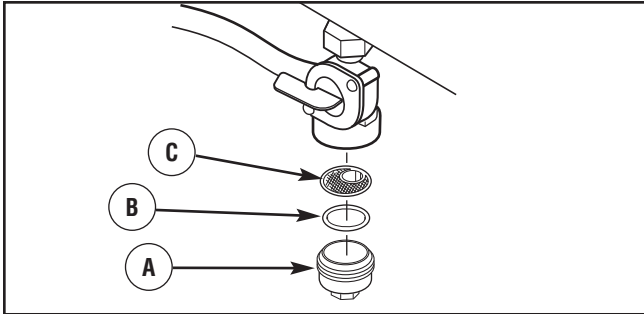
AVIS Le chargement de la batterie doit être effectué dans un endroit sec, à l'intérieur d'un garage par exemple.

▲ AVERTISSEMENT Les bornes, les cosses ainsi que tous les accessoires reliés à la batterie contiennent du plomb et des composés de plomb - produits chimiques reconnus par l'État de la Californie comme causant des cancers et d'autres problèmes de reproduction. Nettoyez-vous les mains après la manipulation.

Entretien de la vanne de combustible

La vanne de combustible comprend une cuvette de sédimentation de combustible, une crépine et un joint torique qu'il faut nettoyer.

1. Réglez la vanne de combustible à la position "Off" (Arrêt).
2. Retirez la cuvette de sédimentation (A) de la vanne de combustible. Retirez le joint torique (B) et la crépine (C) de la vanne de combustible.



3. Lavez la cuvette de sédimentation, le joint torique, et la crépine dans un solvant ininflammable. Séchez-les complètement.
4. Posez la crépine et le joint torique sur la vanne de combustible. Installez la cuvette de sédimentation et serrez-la solidement.
5. Réglez la vanne de combustible à la position "On" (Marche), et vérifiez s'il y a une fuite de combustible. Si c'est le cas, remplacez le vanne de combustible.

Entretien du moteur

⚠ AVERTISSEMENT Une étincelle involontaire peut causer un incendie et un choc électrique et entraîner la mort et des blessures graves.

LORSQUE VOUS RÉGLEZ OU RÉPAREZ VOTRE GÉNÉRATRICE

- Débranchez toujours le câble de bougie et placez-le de façon à ce qu'il ne soit pas en contact avec la bougie.

LORS DE TESTS D'ALLUMAGE DU MOTEUR

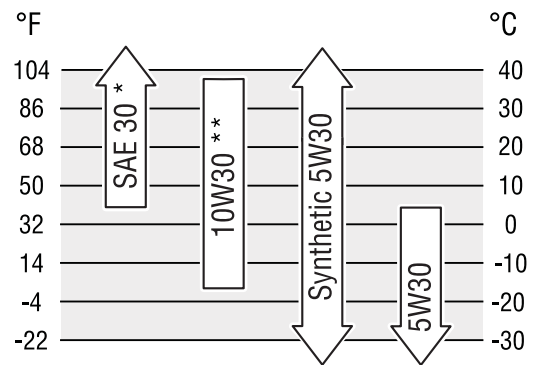
- Utilisez un vérificateur de bougies d'allumage approuvé.
- NE vérifiez PAS l'allumage lorsque la bougie d'allumage est enlevée.

Huile

Recommandations relatives à l'huile

Nous recommandons l'utilisation des huiles certifiées par garantie Briggs & Stratton pour obtenir une meilleure performance. Les autres huiles détergentes de haute qualité sont acceptables si elles ont les cotes pour service SF, SG, SH, SJ ou plus. N'utilisez pas d'additifs spéciaux.

Les températures extérieures déterminent la viscosité de l'huile requise pour le moteur. Utilisez le tableau pour choisir la meilleure viscosité pour la gamme de températures extérieures attendues.



* Sous 40°F (4°C), l'utilisation d'une huile SAE 30 entraîne un démarrage difficile.

** Au-dessus de 80°F (27°C), l'utilisation d'une huile 10W30 peut entraîner une consommation d'huile plus élevée. Vérifiez fréquemment le niveau d'huile.



AVIS L'huile synthétique respectant la marque d'homologation ILSAC GF-2, API et portant le symbole d'entretien API (montré à la gauche) avec la mention « SJ/CF (économie d'énergie) » ou plus, est une huile acceptable pour toutes les températures. L'utilisation d'huile synthétique ne modifie pas les intervalles de changement d'huile.

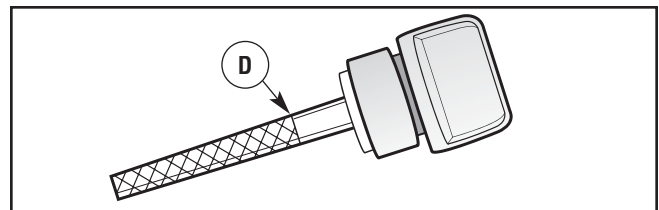
Vérification du niveau d'huile

Il est nécessaire de vérifier le niveau d'huile avant chaque utilisation ou après chaque période de 8 heures d'utilisation. Gardez un niveau d'huile constant.

1. Assurez-vous que génératrice se trouve sur une surface de niveau.
2. Enlevez la jauge d'huile et nettoyez-la avec un linge. Replacez-la. Retirez la jauge et vérifiez le niveau d'huile.

AVIS N'insérez PAS en vissant la jauge d'huile lors de la vérification du niveau d'huile.

3. Vérifiez que l'huile est à la marque « Full » (D) sur la jauge de niveau d'huile. Replacez-la et resserrez-la.



Ajout d'huile

1. Assurez-vous que génératrice se trouve sur une surface de niveau.
2. Vérifiez le niveau d'huile de la manière décrite dans la rubrique *Vérification du niveau d'huile*.
3. Au besoin, videz lentement l'huile dans l'orifice de remplissage d'huile, jusqu'à marque « Full » sur la jauge de niveau d'huile. NE remplissez PAS trop le carter d'huile.

AVIS Un excès d'huile pourrait empêcher le moteur de démarrer ou rendre le démarrage difficile.

- NE remplissez PAS trop le carter d'huile.
- Si l'huile dépasse le repère maximum ("Full") sur la jauge d'huile, vidangez l'huile pour abaisser le niveau jusqu'au repère maximum de la jauge.

4. Remplacez-la et resserrez-la.

Changement d'huile à moteur

Si vous utilisez votre génératrice dans un endroit très sale ou poussiéreux ou par temps très chaud, changez l'huile plus fréquemment.

ATTENTION Évitez tout contact cutané prolongé ou répété avec l'huile moteur usagée.

- Il a été démontré que l'huile moteur usagée risque de provoquer un cancer de la peau chez certains animaux de laboratoire.
- Rincez consciencieusement les zones exposées avec de l'eau et du savon.



GARDEZ HOS DE PORTÉE DES ENFANTS. NE POLLUEZ PAS. CONSERVEZ LE SURPLUS. RAPPORTEZ L'HUILE USAGÉE AUX CENTRES DE RECYCLAGE.

Changez l'huile alors que le moteur est encore chaud, de la façon suivante:

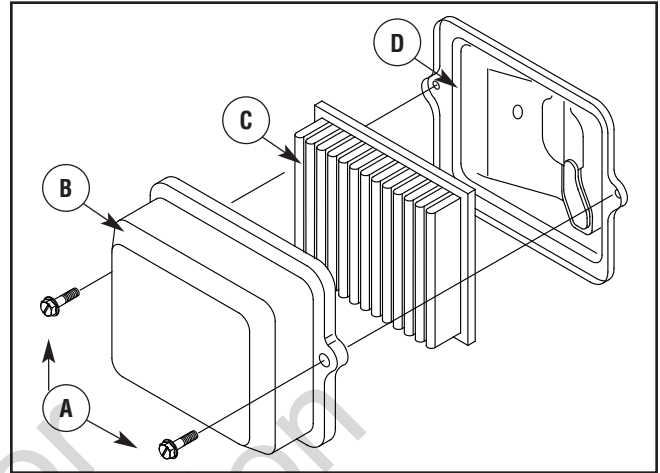
1. Assurez-vous que l'appareil se trouve sur une surface de niveau.
2. Débranchez le fil de la bougies d'allumage et gardez-le éloigné de la bougies d'allumage.
3. Nettoyez la surface autour du bouchon de vidange d'huile. Le bouchon de vidange d'huile se trouve au bas du moteur, à l'opposé du carburateur.
4. Dévissez le bouchon de vidange d'huile et vidangez complètement l'huile dans un contenant approprié.
5. Réinstallez le bouchon de vidange d'huile et serrez-le solidement. Enlevez le bouchon de remplissage d'huile et la jauge d'huile.
6. Versez l'huile recommandée lentement (environ 36 onces) dans l'orifice de remplissage. Arrêtez pour laisser couler l'huile. Remplissez jusqu'au repère maximum ("Full") de la jauge d'huile.
7. Essuyez la jauge d'huile chaque fois que vous vérifiez le niveau d'huile. NE remplissez PAS trop.
8. Réinstallez le bouchon de remplissage et la jauge d'huile. Serrez le bouchon solidement.
9. Essuyez tout déversement d'huile.

Entretien du filtre à air

Votre moteur ne fonctionnera pas adéquatement et pourrait s'endommager si vous le faites fonctionner avec un filtre à air sale. Remplacez le filtre plus souvent si vous utilisez la génératrice dans un endroit sale ou poussiéreux.

Pour faire l'entretien du filtre à air, procédez comme suit :

1. Dévissez les vis (A) et retirez le couvercle du filtre à air (B).

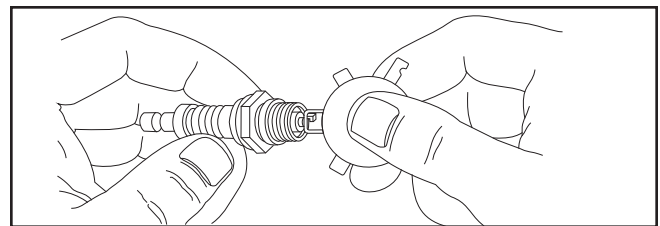


2. Retirez soigneusement la cartouche (C) de la base (D).
3. Installez l'ensemble filtre à air propre (ou neuf) dans le couvercle. Jetez de manière adéquate l'ancien filtre.
4. Réinstallez le couvercle du filtre à air sur la base et serrez les vis.

Entretien de la bougies d'allumage

Changez la bougie le moteur démarrera plus facilement et fonctionnera mieux.

1. Nettoyez la surface autour de la bougie d'allumage.
2. Enlevez la bougie d'allumage et examinez-la.
3. Si les électrodes sont piquées, brûlées ou que la porcelaine est craquée, changez la bougie. Utilisez la bougie de remplacement recommandée. Voir *Spécifications*.
4. Vérifiez l'écartement des électrodes à l'aide d'une jauge d'épaisseur et ajustez l'écartement des électrode selon les spécifications recommandées au besoin (voir *Spécifications*).



5. Installez la bougie d'allumage et serrez-la solidement.

Inspectez le silencieux et l'écran pare-étincelles

Inspectez s'il y a des fissures, corrosion ou autre dommage du silencieux. Retirez l'écran pare-étincelles, si inclus, et inspectez s'il y a un dommage ou obstruction de calamine. S'il y a besoin des pièces de rechange, assurez-vous d'installer seulement des pièces de rechange originales pour l'équipement.

⚠ AVERTISSEMENT La chaleur et les gaz d'échappement peuvent enflammer des matériaux combustibles et les structures ainsi que causer des dommages au réservoir d'essence et provoquer un incendie risquant d'entraîner la mort, des blessures graves et/ou des dommages matériels.

Tout contact avec la zone du silencieux peut causer des brûlures risquant d'entraîner des blessures graves.

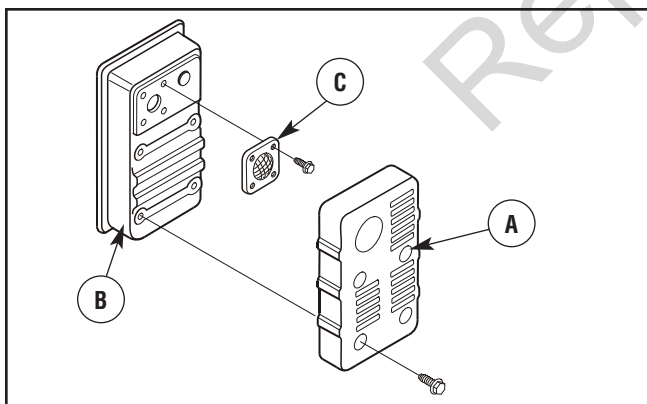
- NE touchez PAS aux pièces chaudes et ÉVITEZ le contact avec les gaz d'échappement.
- Laissez l'équipement refroidir avant de le toucher.
- Laissez un dégagement d'au moins 1,5 m (5 pi) tout autour de la génératrice, y compris au-dessus.
- L'utilisation ou le fonctionnement d'un moteur sur un terrain boisé, couvert de broussailles ou gazonné constitue une violation dans l'État de la Californie, en vertu de la section 4442 du California Public Resources Code, à moins qu'il ne soit doté d'un pare-étincelles tel que défini dans la section 4442 et maintenu en bon état de fonctionnement. Il se peut que d'autres États ou d'autres compétences fédérales aient des lois semblables.

Communiquez avec le fabricant, le détaillant ou le concessionnaire original de l'appareil afin d'obtenir un pare-étincelles conçu pour le système d'échappement installé sur ce moteur.

- Les pièces de rechange doivent être identiques aux pièces d'origine et être installées à la même position.

Nettoyez et inspectez le pare-étincelles comme suit:

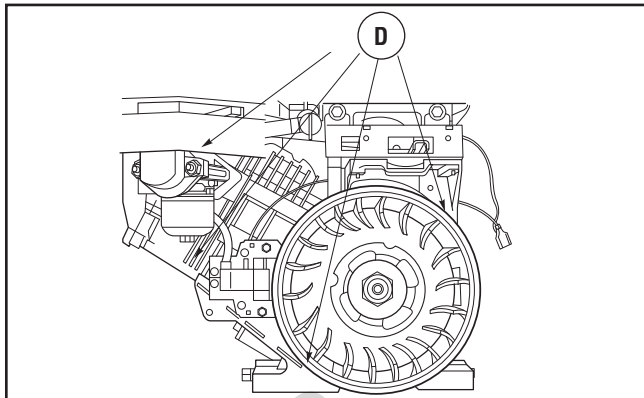
1. Pour retirer l'écran thermique (A) du silencieux (B), enlevez d'abord les quatre vis qui relient le garde au support du silencieux.



2. Enlevez les quatre vis qui fixent l'écran pare-étincelles (C).
3. Vérifiez l'écran et remplacez-le s'il est tordu, troué ou autrement endommagé. N'utilisez PAS un écran défectueux. Si l'écran n'est pas endommagé, nettoyez-le avec du dissolvant commercial.
4. Installez l'écran et le garde du silencieux.

Nettoyer le système de refroidissement

Avec le temps, les débris peuvent s'accumuler dans les ailettes de refroidissement du cylindre et ne peuvent être repérés que par un désassemblage partiel du moteur. Nous vous recommandons donc de demander à un distributeur de service autorisé de nettoyer le système de refroidissement (D) aux intervalles recommandés (consultez la section *Calendrier d'entretien*). Il est aussi important de garder le moteur libre de débris. Consultez la section *Nettoyage*.



Réglage du carburateur

Le carburateur de ce moteur ne produit que de faibles émissions. Il est muni d'une soupape de mélange de ralenti non réglable et d'un ralenti régulé, le cas échéant. Le ralenti régulé et la vitesse maximale ont été réglés en usine. Lorsqu'un réglage est requis, communiquez avec un distributeur de service autorisé.

⚠ ATTENTION Des vitesses de fonctionnement excessivement élevées peuvent causer des blessures mineures et/ou endommager la génératrice. Des vitesses excessivement lentes produisent une charge importante.

- NE modifiez PAS le ressort-régulateur, la tringlerie ou d'autres pièces pour augmenter la vitesse du moteur. La génératrice fournit une fréquence et une tension appropriée lorsque la vitesse du moteur est réglée.
- NE modifiez PAS le générateur d'aucune façon.

Entreposage

Le générateur doit être mise en route au moins une fois tous les sept jours et doit marcher pendant au moins 30 minutes. Si vous ne pouvez pas faire cela et que vous devez remiser le générateur pour plus de 30 jours, utiliser les informations ci-après comme guide pour préparer votre appareil au remisage.

Entreposage de la génératrice

- Nettoyez la génératrice tel qu'indiqué à la rubrique *Nettoyage* de la section *Entretien*.
- Assurez-vous que les fentes d'air de refroidissement et les ouvertures sur la génératrice sont ouvertes et non obstruées.

Directives d'entreposage à long terme

Le carburant peut être éventé après un entreposage de plus de 30 jours. Un carburant éventé cause la formation de dépôts acides et de gomme dans le système d'alimentation ou sur les pièces essentielles du carburateur. Pour garder l'essence propre, utilisez le stabilisateur d'essence FRESH START® de Briggs & Stratton, disponible sous forme d'additif liquide ou cartouche de liquide concentré.

Il est inutile de vidanger le carburant du moteur si vous ajoutez un stabilisateur d'essence conformément aux directives. Faites tourner le moteur pendant 2 minutes pour faire circuler le stabilisateur dans le système de carburant. Vous pouvez ensuite entreposer le moteur et l'essence durant une période maximale de 24 mois.

Si le carburant du moteur n'a pas été traité avec un stabilisateur d'essence, vous devez le vidanger dans un contenant approuvé. Faites tourner le moteur jusqu'à ce qu'il s'arrête par manque d'essence. Il est recommandé d'utiliser du stabilisateur d'essence dans le contenant d'entreposage pour en conserver la fraîcheur.

▲ AVERTISSEMENT L'essence et ses vapeurs sont extrêmement inflammables et explosives qui pourraient causer des brûlures, un incendie ou une explosion risquant d'entraîner la mort, des blessures graves et/ou des dommages matériels.

LORSQUE VOUS ENTREPOSEZ L'ESSENCE OU UN ÉQUIPEMENT AVEC UN RÉSERVOIR À ESSENCE

- Entreposez loin des fournaies, poêle, chauffe-eau, sècheuses ou autres électroménagers munis d'une veilleuse ou d'une source d'allumage car ils peuvent allumer les vapeurs d'essence.

LORS DE L'VIDANGE DU CARBURANT

- Éteignez le moteur de la génératrice et laissez-le refroidir pendant au moins 2 minutes avant de retirer le bouchon à essence. Desserrez lentement le capuchon pour laisser la pression s'échapper du réservoir.
- Vidangez le réservoir d'essence à l'extérieur.
- Éloignez l'essence des étincelles, des flammes, des veilleuses, de la chaleur et de toute autre source d'inflammation.
- Vérifiez si les conduits d'essence, le réservoir, le bouchon et les raccords comportent des fissures ou des fuites. Remplacez au besoin.
- N'ALLUMEZ PAS de cigarette ou ne fumez pas à proximité de l'appareil.

Changement de l'huile

Alors que le moteur est encore chaud, vidangez l'huile du carter. Remplissez le carter à nouveau avec de l'huile de la qualité recommandée. Consultez la section *Changement d'huile*.

Autres idées de remisage

1. N'entreposez PAS d'essence d'une saison à l'autre à moins qu'elle ne soit traitée tel que décrit dans *Directives d'entreposage à long terme*.
2. Remplacez le contenant à essence s'il commence à rouiller. Un carburant contaminé peut causer des problèmes de moteur.
3. Si possible, entreposez l'appareil à l'intérieur et couvrez-le pour le protéger contre la poussière et les saletés.
4. Couvrez l'appareil à l'aide d'une housse de protection adéquate qui ne retient pas l'humidité.

▲ AVERTISSEMENT Les couvercles de rangement peuvent causer un incendie risquant d'entraîner la mort, des blessures graves et des dommages matériels.

- NE placez JAMAIS une couverture de rangement sur un générateur.
- Laissez l'appareil refroidir suffisamment avant de placer la couverture de rangement dessus.

5. Entreposez la génératrice dans un endroit propre et sec.

Dépannage

PROBLÈMES	CAUSE	SOLUTION
Le moteur marche, mais il ne se produit pas de courant c.a. dans les prises.	<ol style="list-style-type: none"> 1. Disjoncteur est ouvert. 2. Problème dans le générateur. 3. Pauvre connexion ou rallonge défectueuse. 4. L'appareil qui est branché est défectueux. 	<ol style="list-style-type: none"> 1. Réenclencher le disjoncteur. 2. Contacter négociant de service autorisé. 3. Vérifier et réparer. 4. Brancher un autre appareil qui ne soit pas défectueux.
Le moteur marche bien sans charge mais cale quand les charges sont branchées.	<ol style="list-style-type: none"> 1. Court-circuit dans une charge branchée. 2. Vitesse trop lente du moteur. 3. Le générateur est surchargé. 4. Court-circuit dans le générateur. 5. Filtre à essence encrassé ou sale. 	<ol style="list-style-type: none"> 1. Débrancher la charge en court-circuit. 2. Contacter négociant de service autorisé. 3. Voir <i>Ne Pas Surcharger Générateur</i>. 4. Contacter négociant de service autorisé. 5. Nettoyez ou remplacez le filtre à essence.
Le moteur ne veut pas démarrer; démarre et marche mal ou s'arrête pendant la marche.	<ol style="list-style-type: none"> 1. Interrupteur de démarrage à la position arrêt "0". 2. La soupape d'essence est à la position "Off". 3. Batterie défectueuse. 4. Bas niveau d'huile. 5. Filtre à air encrassé. 6. Filtre à essence encrassé ou sale. 7. Panne d'essence. 8. Essence éventée. 9. Fil de bougie non branché à la bougie. 10. Bougie défectueuse. 11. Eau présente dans l'essence. 12. Moteur noyé. 13. Mélange d'essence trop riche. 14. Soupape d'admission bloquée en position ouverte ou fermée. 15. Perte de compression du moteur. 	<ol style="list-style-type: none"> 1. Tournez la clé dans l'interrupteur de démarrage à la position "I". 2. Placez la soupape à essence à la position "On". 3. Remplacez la batterie. 4. Remplissez le carter au niveau requis ou placez la génératrice sur une surface de niveau. 5. Nettoyez ou remplacez le filtre à air. 6. Nettoyez ou remplacez le filtre à essence. 7. Faites le plein du réservoir. 8. Vidangez le réservoir; faites le plein avec de l'essence nouvelle. 9. Branchez le fil à la bougie. 10. Remplacez la bougie. 11. Vidangez le réservoir; faites le plein avec de l'essence nouvelle. 12. Attendez 5 minutes et redémarrez le moteur. 13. Contacter négociant de service autorisé. 14. Contacter négociant de service autorisé. 15. Contacter négociant de service autorisé.
Le moteur manque de puissance.	<ol style="list-style-type: none"> 1. La charge est trop grande. 2. Filtre à air encrassé. 3. Filtre à essence encrassé ou sale. 	<ol style="list-style-type: none"> 1. Voir <i>Ne Pas Surcharger Générateur</i>. 2. Remplacez le filtre à air. 3. Nettoyez ou remplacez le filtre à essence.
Le moteur a des "à-coups" ou des hésitations.	<ol style="list-style-type: none"> 1. Le mélange est trop riche ou trop pauvre dans le carburateur. 2. Filtre à essence encrassé ou sale. 	<ol style="list-style-type: none"> 1. Contacter négociant de service autorisé. 2. Nettoyez ou remplacez le filtre à essence.

Garanties

Énoncé de garantie du dispositif antipollution pour la Californie, l'U.S. EPA et Briggs & Stratton Corporation

Vos droits et obligations relatifs à la garantie

Le California Air Resources Board (CARB), l'U.S. EPA et Briggs & Stratton (B&S) sont heureux de vous expliquer la garantie couvrant le dispositif antipollution de votre moteur/appareil de modèle 2011-2012. En Californie, les nouveaux petits moteurs hors route et les gros moteurs à bougie de 1,0 litre ou moins doivent être conçus, construits et équipés de façon à respecter les normes anti-smog rigoureuses de l'état. B&S doit garantir le dispositif antipollution de votre moteur ou de votre équipement pour les périodes indiquées ci-dessous, à condition qu'il n'y ait pas eu d'abus, de négligence, de mauvais entretien sur le moteur ou équipement.

Votre dispositif antipollution peut comprendre des pièces comme le carburateur ou le système d'injection de combustible, le réservoir d'essence, le système d'allumage et le convertisseur catalytique. Il peut aussi y avoir des tuyaux, des courroies, des connecteurs, des capteurs et d'autres dispositifs reliés aux émissions. Dans le cas d'un défaut couvert par la garantie, B&S réparera votre moteur ou votre équipement sans frais, et ce, incluant le diagnostic, les pièces et la main-d'œuvre.

Couverture de garantie du fabricant :

Les petits moteurs hors route et les gros moteurs à bougie de 1,0 litre ou moins sont garantis pour une période de deux ans. Si une pièce reliée au dispositif antipollution de votre moteur ou de votre équipement est défectueuse, B&S la réparera ou la remplacera.

Responsabilités du propriétaire relativement à la garantie :

- En tant que propriétaire de moteur/appareil, vous êtes responsable de l'exécution de l'entretien requis indiqué dans votre manuel d'utilisation. B&S recommande de conserver tous les reçus reliés à l'entretien de votre moteur ou de votre équipement; toutefois, B&S ne peut refuser d'honorer la garantie uniquement parce que vous êtes dans l'impossibilité de produire les reçus ou que vous n'avez pas effectué toutes les étapes de l'entretien prévu.
- Néanmoins, vous devez savoir, en tant que propriétaire du moteur ou de l'équipement, que B&S peut renier la garantie si votre moteur ou votre équipement ou, encore, une pièce font défaut en raison d'abus, de négligence, d'entretien inadéquat ou de modifications non approuvées.
- Dès qu'un problème survient, vous avez la responsabilité de faire examiner votre moteur ou votre équipement dans un centre de distribution B&S, un centre de service ou une autre entité équivalente, selon le cas. Les réparations couvertes par la garantie doivent être effectuées dans un délai raisonnable, n'excédant pas 30 jours. Si vous avez des questions au sujet de vos droits et responsabilités reliés à la garantie, veuillez communiquer avec B&S au (414) 259-5262.

Dispositions de la garantie contre les défauts du dispositif antipollution de Briggs & Stratton

Les dispositions qui suivent sont spécifiques à la couverture de garantie contre les défauts du dispositif antipollution. Elle est un ajout à la garantie sur les moteurs de B&S pour les moteurs non régulés, figurant dans le manuel d'utilisation.

1. Pièces garanties

La couverture de cette garantie n'englobe que les pièces énumérées ci-dessous (pièces du dispositif antipollution) dans la mesure où ces pièces étaient présentes sur le B&S moteur et/ou B&S fourni le système de carburant.

a. Système de contrôle d'alimentation en carburant

- Dispositif d'enrichissement pour démarrage à froid (étrangleur à glissement)
- Carburateur et pièces internes
- Pompe à carburant
- Conduit d'essence, raccords de conduit d'essence, brides de serrage
- Réservoir d'essence, bouchon et attache
- Absorbant de vapeurs d'essence

b. Circuit d'entrée d'air

- Filtre à air
- Collecteur d'admission
- Ligne de purge et d'évacuation

c. Système d'allumage

- Bougie(s) d'allumage
- Système d'allumage à magnéto

d. Système de catalyseur

- Catalytic converter
- Collecteur d'échappement
- Système d'injection d'air ou soupape d'impulsion

e. Éléments divers utilisés dans les systèmes précédemment mentionnés

- Soupapes et interrupteurs de dépression, de température, de position, à délai critique
- Connecteurs et dispositifs

2. Durée de la couverture

Pour une période de deux ans à compter de la date d'achat originale, B&S garantit à l'acheteur initial et à tous les acheteurs subséquents que le moteur a été conçu, construit et équipé de façon à respecter toutes les normes en vigueur adoptées par l'Air Resources Board; qu'il est libre de tout défaut de matériel et de main-d'œuvre qui pourrait entraîner la défectuosité d'une pièce garantie; et, qu'il est identique d'un point de vue matériel au moteur décrit dans la demande d'homologation du fabricant. La période de garantie débute à la date d'achat du moteur par le premier acheteur.

La garantie des pièces reliées au dispositif antipollution est la suivante :

- Toute pièce garantie dont le remplacement ne fait pas partie de l'entretien requis dans le manuel d'utilisation doit être garantie pour la période de garantie indiquée ci-dessus. Si une telle pièce s'avère défectueuse au cours de la période de la couverture de garantie, B&S devra la réparer ou la remplacer sans frais pour le propriétaire. Toute pièce réparée ou remplacée en vertu de la garantie sera garantie pour la durée restante de la période de garantie.
- Toute pièce garantie qui fait partie de l'entretien uniquement pour une inspection régulière dans le manuel d'utilisation est garantie pour la période de garantie indiquée ci-dessus. Toute pièce réparée ou remplacée en vertu de la garantie sera garantie pour la durée restante de la période de garantie.
- Toute pièce garantie dont le remplacement fait partie de l'entretien requis dans le manuel d'utilisation est garantie pour la période de temps avant le premier point de remplacement prévu pour cette pièce. Si une telle pièce s'avère défectueuse avant son remplacement prévu, B&S devra la réparer ou la remplacer sans frais pour le propriétaire. Toute pièce réparée ou remplacée en vertu de la garantie sera garantie pour la durée restante de la période avant le premier point de remplacement prévu pour la pièce.
- Les pièces ajoutées ou modifiées ne faisant pas partie d'une exemption par l'Air Resources Board ne doivent pas être utilisées. L'utilisation de pièces ajoutées ou modifiées par le propriétaire qui ne font pas partie d'une exemption pourrait entraîner le refus d'une réclamation au titre de la garantie. Le fabricant n'a pas la responsabilité de garantir les défauts des pièces garanties causées par l'utilisation de pièces ajoutées ou modifiées qui ne font pas partie d'une exemption.

3. Couverture indirecte

La couverture englobe toute défectuosité de l'un des composants du moteur causée à la suite d'une défectuosité d'une des pièces reliées au dispositif antipollution garanties.

4. Réclamations et exclusions de couverture

Les réclamations au titre de la garantie doivent être présentées conformément aux dispositions de la politique de garantie du moteur de B&S. La couverture de garantie n'englobe pas les défauts des pièces reliées au dispositif antipollution qui ne sont pas des pièces originales de B&S ni les défauts des pièces reliées à un abus, de la négligence ou un entretien inapproprié tel que détaillé dans la politique de garantie du moteur de B&S. B&S n'est pas responsable de couvrir les défauts des pièces reliées au dispositif antipollution causées par l'utilisation de pièces ajoutées ou modifiées.

Consultez l'étiquette d'émissions de votre petit moteur hors route au sujet de la période de durabilité des émissions et l'indice de pollution atmosphérique

Les renseignements concernant la période de durabilité des émissions et l'indice de pollution atmosphérique doivent être fournis avec les moteurs qui répondent aux normes d'émissions de petits moteurs hors routes de la California Air Resources Board (CARB). Briggs & Stratton doit fournir ces renseignements aux consommateurs sur des étiquettes d'émissions. L'étiquette des émissions du moteur fournit des renseignements sur la certification.

La **période de durabilité des émissions** décrit le nombre d'heures pendant lesquelles le moteur peut fonctionner en respectant les normes relatives aux émissions, en supposant que l'entretien est effectué conformément aux directives de fonctionnement et d'entretien. Les catégories utilisées sont les suivantes :

Modéré : Le moteur peut fonctionner pendant 125 heures tout en respectant la norme relative aux émissions.

Intermédiaire : Le moteur peut fonctionner pendant 250 heures tout en respectant la norme relative aux émissions.

Prolongé : Le moteur peut fonctionner pendant 500 heures tout en respectant la norme relative aux émissions.

Par exemple, l'utilisation d'une tondeuse poussée est d'environ 20 à 25 heures par année. Par conséquent, la **période de durabilité des émissions** d'un moteur de catégorie **intermédiaire** équivaut à une période de 10 à 12 années.

Les moteurs Briggs & Stratton respectent les normes relatives aux émissions de phase 2 de l'USEPA (United States Environmental Protection Agency). Dans le cas des moteurs homologués phase 2, la période de conformité des émissions indiquée sur l'étiquette de conformité des émissions indique le nombre d'heures de fonctionnement pendant lesquelles le moteur a démontré qu'il respectait les exigences fédérales en matière d'émissions.

Pour les moteurs de cylindrée inférieure à 225 cc:

Catégorie C = 125 heures

Catégorie B = 250 heures

Catégorie A = 500 heures.

Pour les moteurs de cylindrée égale ou supérieure à 225 cc:

Catégorie C = 250 heures

Catégorie B = 500 heures

Catégorie A = 1000 heures.

GARANTIE DU PROPRIÉTAIRE D'UN GÉNÉRATRICE PORTATIVE BRIGGS & STRATTON POWER PRODUCTS GROUP, LLC

Prise d'effet au 1^{er} mai 2010, annule et remplace toutes les garanties précédentes et les garanties antérieures au 1^{er} mai 2010

GARANTIE LIMITÉE

Briggs & Stratton Power Products Group, LLC réparera ou remplacera, sans frais, toutes pièces d'génératrice portative défectueuses comportant un vice de matériau ou un défaut de fabrication ou les deux. En vertu de la présente garantie, les frais de transport des produits soumis pour réparation ou remplacement sont à la charge de l'acheteur. La présente garantie sera en vigueur durant les périodes stipulées ci-dessous et est assujettie aux conditions stipulées ci-dessous. Pour obtenir des services en vertu de la garantie, veuillez consulter notre Outil de recherche d'un Service après-vente agréé au <http://www.BRIGGSandSTRATTON.COM> afin de trouver un distributeur de service après-vente agréé dans votre région.

IL N'EXISTE AUCUNE AUTRE GARANTIE EXPRESSE. LES GARANTIES IMPLICITES, INCLUANT CELLES DE QUALITÉ MARCHANDE ET D'ADAPTATION À UN USAGE PARTICULIER, SONT LIMITÉES À UNE PÉRIODE D'UN AN À PARTIR DE LA DATE D'ACHAT OU JUSQU'À LA LIMITE PERMISE PAR LA LOI, TOUTE GARANTIE IMPLICITE EST EXCLUE. LA RESPONSABILITÉ POUR DOMMAGES ACCESSOIRES OU INDIRECTS EST EXCLUE DANS LA MESURE OÙ UNE TELLE EXCLUSION EST PERMISE PAR LA LOI. Certains États/provinces ou pays n'autorisent aucune restriction sur la durée d'une garantie implicite, et certains États/provinces ou pays n'autorisent pas l'exclusion ou la limitation des dommages consécutifs ou indirects. Par conséquent, les restrictions et exclusions décrites ci-dessus pourraient ne pas s'appliquer dans votre cas. La présente garantie vous accorde certains droits légaux spécifiques et vous pourriez également en avoir d'autres, qui peuvent varier d'un État ou d'une province à l'autre et d'un pays à l'autre.

PÉRIODE DE GARANTIE

	Moteur	Tous autres composants
Usage par un consommateur	2 ans	3 ans*
Usage à des fins commerciales	1 an	1 an

*An 2 et 3 sépare seulement

La période de garantie débute à la date d'achat par le premier utilisateur final, et se prolonge pour la durée stipulée ci-dessus. "Usage par un consommateur" signifie utilisation domestique personnelle dans une résidence, par l'acheteur au détail. "Usage à des fins commerciales" signifie toute autre utilisation, y compris à des fins commerciales, générant des revenus ou de location. Aux fins de la présente garantie, dès qu'un équipement a été utilisé commercialement une fois, il est par la suite considéré comme étant d'usage à des fins commerciales. L'équipement utilisé pour l'alimentation principale n'est pas couvert par la présente garantie.

POUR EXERCER LA GARANTIE SUR TOUT PRODUIT FABRIQUÉ PAR BRIGGS & STRATTON, IL N'EST PAS NÉCESSAIRE DE L'ENREGISTRER. CONSERVEZ LE REÇU COMME PREUVE D'ACHAT. SI, LORS D'UNE RÉCLAMATION DE GARANTIE, VOUS NE POUVEZ PROUVER LA DATE INITIALE DE L'ACHAT, NOUS UTILISERONS LA DATE DE FABRICATION DU PRODUIT COMME DATE DE RÉFÉRENCE POUR DÉTERMINER LA PÉRIODE DE GARANTIE.

À PROPOS DE LA ÉQUIPEMENT GARANTIE

Nous acceptons de faire effectuer les réparations couvertes par la garantie et tenons à nous excuser pour tout inconfort subi. Tout agent d'un service après-vente agréé peut exécuter les réparations couvertes par la garantie. La plupart des réparations couvertes par la garantie sont traitées automatiquement; cependant, il arrive parfois que les demandes de service en vertu de la garantie soient non fondées. Par exemple, la garantie ne couvre pas les dommages causés à l'équipement par une utilisation abusive, par un manque d'entretien périodique, durant l'expédition, la manutention ou l'entreposage, ou en raison d'une installation inadéquate. De même, la garantie sera annulée si la date de fabrication ou le numéro de série apposé à l'génératrice portative a été enlevé ou si l'équipement a été changé ou modifié. Durant la période de garantie, le distributeur de service après-vente agréé réparera ou remplacera, à son gré, toute pièce qui, après examen, est trouvée défectueuse à la suite d'une utilisation et d'un entretien normaux. La présente garantie ne couvre pas les réparations et les équipements suivants:

- **Usure normale:** Comme tout autre dispositif mécanique, les groupes électrogènes d'extérieur nécessitent l'entretien périodiques de certaines pièces pour fonctionner adéquatement. La présente garantie ne couvre pas les frais de réparation des pièces ou des équipements dont la durée de vie utile a été dépassée à la suite d'une utilisation normale.
- **Installation et entretien:** La présente garantie ne couvre pas les équipements ou les pièces qui ont fait l'objet d'une installation ou de modifications et de changements inadéquats ou non autorisés, d'une mauvaise utilisation, de négligence, d'un accident, d'une surcharge, d'emballement, d'entretien inadéquat, de réparation ou d'entreposage qui, selon nous, auraient nui à la performance et à la fiabilité du produit. De plus, la garantie ne couvre pas l'entretien normal tel que le réglage, le nettoyage du circuit d'alimentation et son obstruction (causée par l'accumulation de produits chimiques, de saletés, de calamine, de calcaire, etc.).
- **Exclusions supplémentaires:** La présente garantie exclut les pièces qui s'usent telles que les joints toriques, les filtres, etc., ou tout mauvais fonctionnement résultant d'un accident, d'une utilisation abusive, de modifications, de changements ou d'un entretien inadéquat du système, du gel ou d'une détérioration chimique. La garantie du produit ne couvre pas les pièces accessoires telles que les commences piles, les séries de corde d'adaptateur de générateur et les couvertures d'emmagasinement. Est aussi exclu tout équipement usé, remis à neuf ou de démonstration, tout équipement utilisé pour l'alimentation principale en remplacement de l'alimentation de service et tout équipement utilisé pour l'alimentation d'appareils de maintien des fonctions vitales. Cette garantie exclut toute défaillance due à une catastrophe naturelle ou à toute autre force majeure hors du contrôle du fabricant. 311527F, Rev. A, 05/1/2010

BRIGGS & STRATTON POWER PRODUCTS GROUP, LLC
MILWAUKEE, WI, USA

Not for
Réservé
Reproduction



Génératrice Portatif

Caractéristiques du produit

Modèle 030470

Puissance en watts commençant	.8,750 Watts
Puissance en watts*	.7,000 Watts
Courant nominal	
à 120 Volts CA	.29.1 Ampères
à 240 Volts CA	.58.3 Ampères
Fréquence c.a.	.60 Hz at 3600 rpm
Phase	.Monophasé
Cylindrée	.420 cc (25.63 cu. in.)
Écartement des électrodes	.0.76 mm (0.030 in.)
Volume du réservoir	.26.5 Litres (7 gallons US)
Capacité du carter d'huile	.1.0 Litres (36 Ounces)

Modèle 030471

Puissance en watts commençant	.10,000 Watts
Puissance en watts*	.8,000 Watts
Courant nominal	
à 120 Volts CA	.33.3 Ampères
à 240 Volts CA	.66.6 Ampères
Fréquence c.a.	.60 Hz at 3600 rpm
Phase	.Monophasé
Cylindrée	.420 cc (25.63 cu. in.)
Écartement des électrodes	.0.76 mm (0.030 in.)
Volume du réservoir	.26.5 Litres (7 gallons US)
Capacité du carter d'huile	.1.0 Litres (36 Ounces)

Pièces d'entretien courant

Filtre à air	.491588 ou 5043
Bouteille d'huile à moteur	.100005 or 100028
Bouteille d'huile synthétique	.100074
Stabilisateur d'essence	.100002 or 5041
Pare-étincelles	.83083GS

Puissance nominale: La puissance nominale brute des modèles avec moteur à essence est indiquée sur une étiquette, conformément au code J1940 (Small Engine Power & Torque Rating Procedure) de la SAE (Society of Automotive Engineers), et la performance nominale a été obtenue et corrigée conformément au code J1995 (révision 05-2002) de la SAE. Les valeurs de couple ont été mesurées à 3 060 tr/min; les valeurs de puissance ont été mesurées à 3 600 tr/min. Les valeurs nettes de puissances sont prises alors que l'échappement et le filtre à air sont installés alors que les valeurs brutes de puissance sont mesurées sans ces accessoires. La puissance brute réelle du moteur sera supérieure à la puissance nette du moteur et sera affectée, entre autres, par les conditions de fonctionnement ambiantes ainsi que par les différences entre moteurs. Étant donné la vaste gamme de produits sur lesquels les moteurs sont installés, le moteur à essence peut ne pas développer la puissance nominale brute lorsqu'il est utilisé pour entraîner une pièce d'appareil donnée. Cette différence est causée par différents facteurs dont, entre autres, la variété des composants du moteur (filtre à air, échappement, chargement, refroidissement, carburateur, pompe à essence, etc.), les limites de l'appareil, les conditions de fonctionnement ambiante (température, humidité, altitude) et les différences entre les moteurs. En raison des limites de fabrication et de capacité, Briggs & Stratton peut substituer un moteur de plus grande puissance pour un moteur de cette série.

* Les caractéristiques nominales et la certification de cette génératrice sont conformes à la norme C22.2 No. 100-04 (moteurs et génératrices) de l'ACNOR (Association canadienne de normalisation).

Briggs & Stratton Power Products Group, LLC
P.O. Box 702
Milwaukee, Wisconsin, 53201-0702 U.S.A.

Free Manuals Download Website

<http://myh66.com>

<http://usermanuals.us>

<http://www.somanuals.com>

<http://www.4manuals.cc>

<http://www.manual-lib.com>

<http://www.404manual.com>

<http://www.luxmanual.com>

<http://aubethermostatmanual.com>

Golf course search by state

<http://golfingnear.com>

Email search by domain

<http://emailbydomain.com>

Auto manuals search

<http://auto.somanuals.com>

TV manuals search

<http://tv.somanuals.com>