



# ELITE Series™

## PORTABLE GENERATORS

### Illustrated Parts List

Questions? Help is just a moment away!  
Preguntas? La ayuda es justa un momento lejos!

Call: **Generator Helpline**

Llame: **Línea Directa del Generador**

**1-800-743-4115** M-F 8-5 CT

**BRIGGSandSTRATTON.COM**

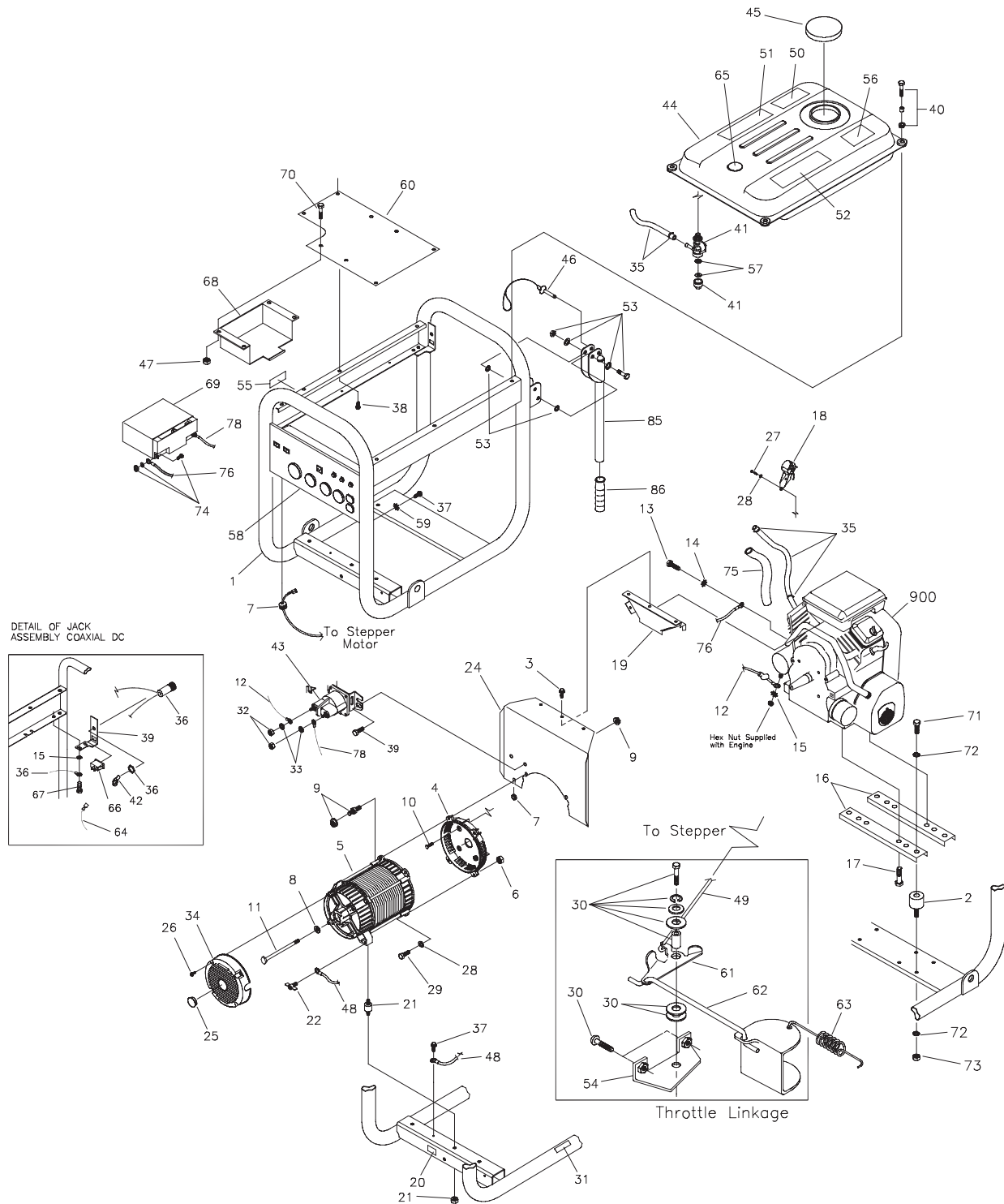
**030207**  
**(10000W)**



**BRIGGS & STRATTON POWER PRODUCTS GROUP, LLC**  
**JEFFERSON, WISCONSIN, U.S.A.**

**Manual No. 200079A Revision E (09/09/2008)**

# EXPLODED VIEW - MAIN UNIT

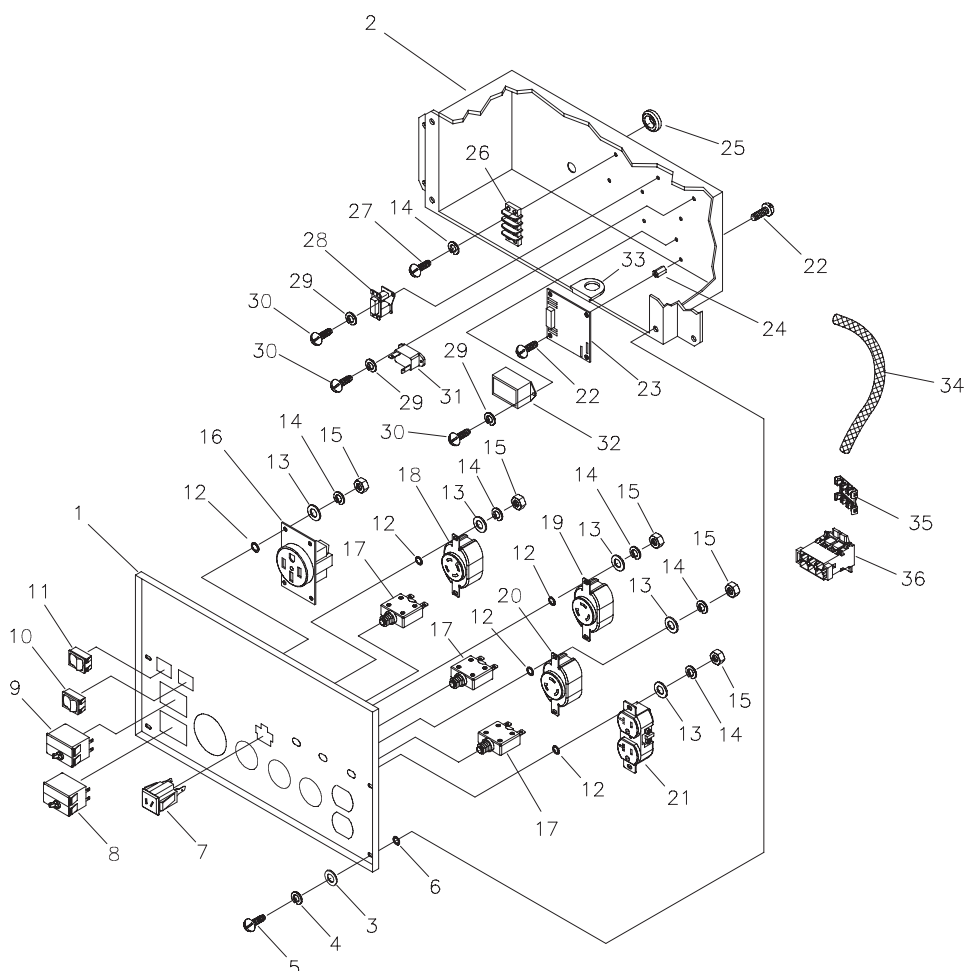


Copyright © 2008 Briggs & Stratton Power Products Group, LLC. All rights reserved. No part of this material may be reproduced or transmitted in any form by any means without the express written permission of Briggs & Stratton Power Products Group, LLC.

## EXPLODED VIEW - PARTS LIST

Item	Part #	Description	Item	Part #	Description
1	M200968GS	CRADLE (Includes Items 20, 31 & 55)	53	194034GS	KIT, Fold-down Handle Hardware
2	38353GS	MOUNT, Vibration	54	95349GS	PLATE, Adjust
3	56893GS	CRIMPTITE, 10-24 x 1/2	55	197797GS	DECAL, Fuel Shutoff
4	190220GS	ADAPTER, Engine	56	202997GS	DECAL, Warning, CO
5	NSP	ASSY., Alternator (see page 5)	57	189759GS	KIT, Fuel Valve Repair
6	*	NUT, Hex, M8 - 1.25	58	200326GS	ASSY. Control Panel
7	62265GS	GROMMET	59	*	WASHER, Ext #10, Shakeproof
8	96796GS	WASHER, 8.4 x 22.2 x 3	60	193512GS	SUPPORT, Tray Battery
9	194208GS	KIT, Alt to Heat Shield Hardware	61	95348GS	BRACKET, Bell Crank
10	190274BGS	SBHCS, 3/8-16 x 1"	62	95921GS	LINKAGE, Bell Crank to Throttle
11	187365DGS	HHCS 5/16-24 x 10.28	63	96717GS	SPRING
12	189302SGS	WIRE, #16, Red	64	198871HGS	WIRE, #13, Red
13	*	HHCS, M8 - 1.25 x 16	65	192724GS	GAUGE, Gas
14	*	WASHER, Shakeproof, Ext. 5/16	66	87799GS	SWITCH, Rocker
15	*	WASHER, Shakeproof, Ext. M6	67	90388GS	SCREW, M6-1 x 12, Taptite
16	M77304GS	SUPPORT, Engine	68	192985GS	TRAY, Battery
17	75246GS	TAPTITE, 3/8 - 16 x 1-1/4	69	193043GS	BATTERY
18	195404GS	ASSY, Stepper Motor	70	*	HHCS, M6 -1.0 x 12
19	J93074GS	SUPPORT, Heatshield	71	*	HHCS, 3/8 - 16 x 3/4
20	B4986GS	DECAL, Ground	72	*	WASHER, 3/8, Lock
21	194155GS	KIT, Vibration Mount	73	*	NUT, 3/8 - 16
22	86494GS	SCREW, Wing M6 - 1.0 x 16	74	193347GS	KIT, Hardware Battery
24	194951GS	ASSY., Heat Shield	75	280623	TUBING, Fuel line
25	191190GS	CAP	76	185939TGS	WIRE, #55 Black
26	74908GS	TAPTITE, M5 - 0.8 x 10	78	189302RGS	WIRE, #13 Red
27	*	HHCS, M8 - 1.25 x 20	85	B193200GS	ASSY., Fold Down Handle
28	*	WASHER, 5/16 M8 Lock	86	198669GS	GRIP, Handle
29	*	HHCS, M8-1.25 x 25	900	§	ENGINE
30	194543GS	KIT, Throttle Linkage Hardware	<b>Parts Not Illustrated</b>		
31	200310GS	DECAL, Exhaust Warning	200079GS		MANUAL, Operator's
32	*	NUT, 1/4 - 20	BB3061GS		BOTTLE, Oil
33	*	WASHER, 1/4 Lock	BB3061BGS		BOTTLE, Oil
34	195422GS	COVER, RBC Plastic w/ Cap	B4177GS		CHARGER, Battery
35	791745	KIT, Hose, Fuel	B4767GS		COVER, Storage
36	201348GS	ASSY, Jack Coaxial	202950GS		KIT, Decal Service
37	B2153GS	SCREW, Self-Driller, 12-14 x 7/8	43438GS		PLUG, 120/240V, 30A 4P
38	192376GS	SCREW, 12 - 24 x 1/2 Thread Forming	100523GS		PLUG, 125V, 30A 3P
39	B4300GS	HHS, Trilobular, 1/4 - 20 x 1/2	93568GS		PLUG, 125V, 20A
40	198221GS	KIT, Fuel Tank Hardware (Includes Qty 4)	65787GS		CABLE, Battery Charge
41	193272GS	VALVE, Fuel	690661		SCREW, Tapping Hex
42	192351GS	LUG, 1/4	392390		ARRESTER, Spark
43	691656	SOLENOID	692099		ASSY., Muffler
44	202954GS	ASSY., Tank Fuel (Includes Items 41, 50, 51, 52, 56 & 65)	691513		BRACKET, Muffler
45	189135GS	CAP, Tank Fuel	692056		SCREW
46	B4135GS	PIN, Handle Release	690898		CLAMP, Muffler
47	77395GS	LOCKNUT, M6	692539		SCREW
48	195373GS	WIRE, Ground	* - Items without part numbers are common fasteners and are available at your local hardware store.		
49	95920GS	LINKAGE, Stepper Motor to Bell Crank	§ - Contact Engine Manufacturer		
50	188333GS	DECAL, Instruction, Fuel			
51	194984GS	DECAL, Warning			
52	94480GS	DECAL, Operating Instructions			

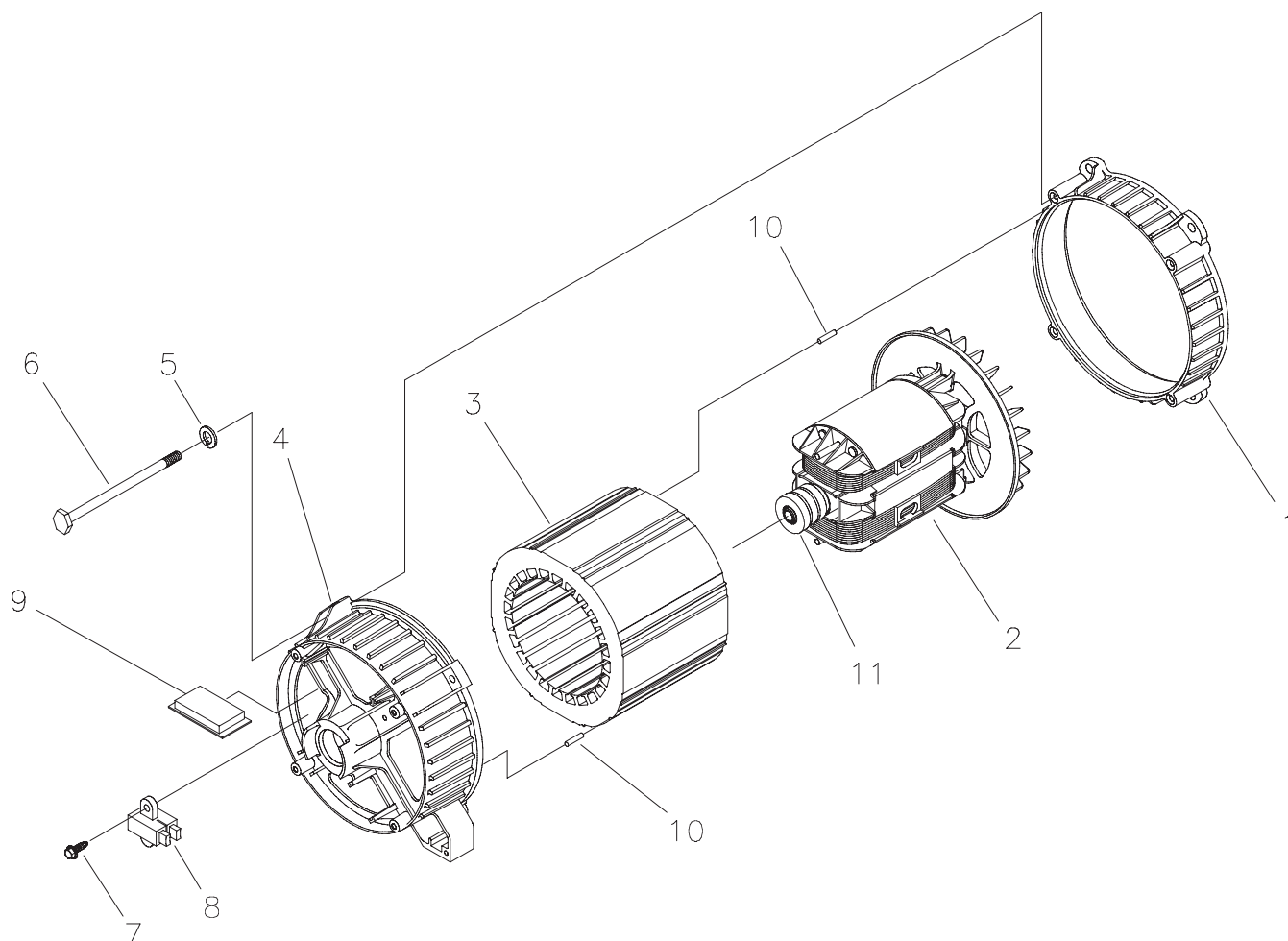
## EXPLODED VIEW AND PARTS LIST - CONTROL PANEL



Item	Part #	Description	Item	Part #	Description
1	M199022GS	PANEL, Control	20	74190GS	OUTLET, 120V, 20A
2	201864GS	BOX, Control Panel	21	68759GS	OUTLET, 120V, 20A, Duplex
3	*	WASHER, Flat, #10 - M5	22	*	PHTS, 6 - 32 x 3/8"
4	*	LOCKWASHER, M5	23	195406GS	ASSY, PCB, Control, Stepper Motor
5	*	PPHMS, M5 - 0.8 x 12	24	64525GS	STANDOFF, Hex, 3/4"
6	*	WASHER, M6 - 1/4, Int. Shakeproof	25	62265GS	GROMMET
7	90418GS	OUTLET, 12V DC Snap	26	92953GS	TERMINAL, Block
8	191480BGS	BREAKER, Circuit, 40A, 2P	27	*	PPHMS, M4 - 0.7 x 20
9	191480AGS	BREAKER, Circuit, 30A, 2P	28	84028GS	TRANSFORMER, Idle Control
10	82538GS	SWITCH, Rocker	29	*	LOCKWASHER, M3
11	78653GS	SWITCH, Eng, Run-Stop	30	*	PHMS, M3 - 0.5 x 10
12	*	WASHER, Shakeproof, Int. #8	31	87962GS	BREAKER, Circuit, 10A, 12V
13	*	WASHER, Flat, M4	32	77314GS	THERMAL, Relay
14	*	LOCKWASHER, M4	33	188632GS	BOOT, Rubber Wire Outlet
15	*	NUT, M4 - 0.7	34	194273GS	TUBING
16	B4262GS	RECEPTACLE	35	199532GS	STRIP, Dual Row, TPA, 6 Circuit
17	75207GS	BREAKER, Circuit, 20A with hardware	36	199528GS	PLUG, Dual Row, Housing, 6 Circuit
18	43437GS	OUTLET, 120/240V, 30A			
19	68868GS	OUTLET, 120V, 30A			

\* - Items without part numbers are common fasteners and are available at your local hardware store.

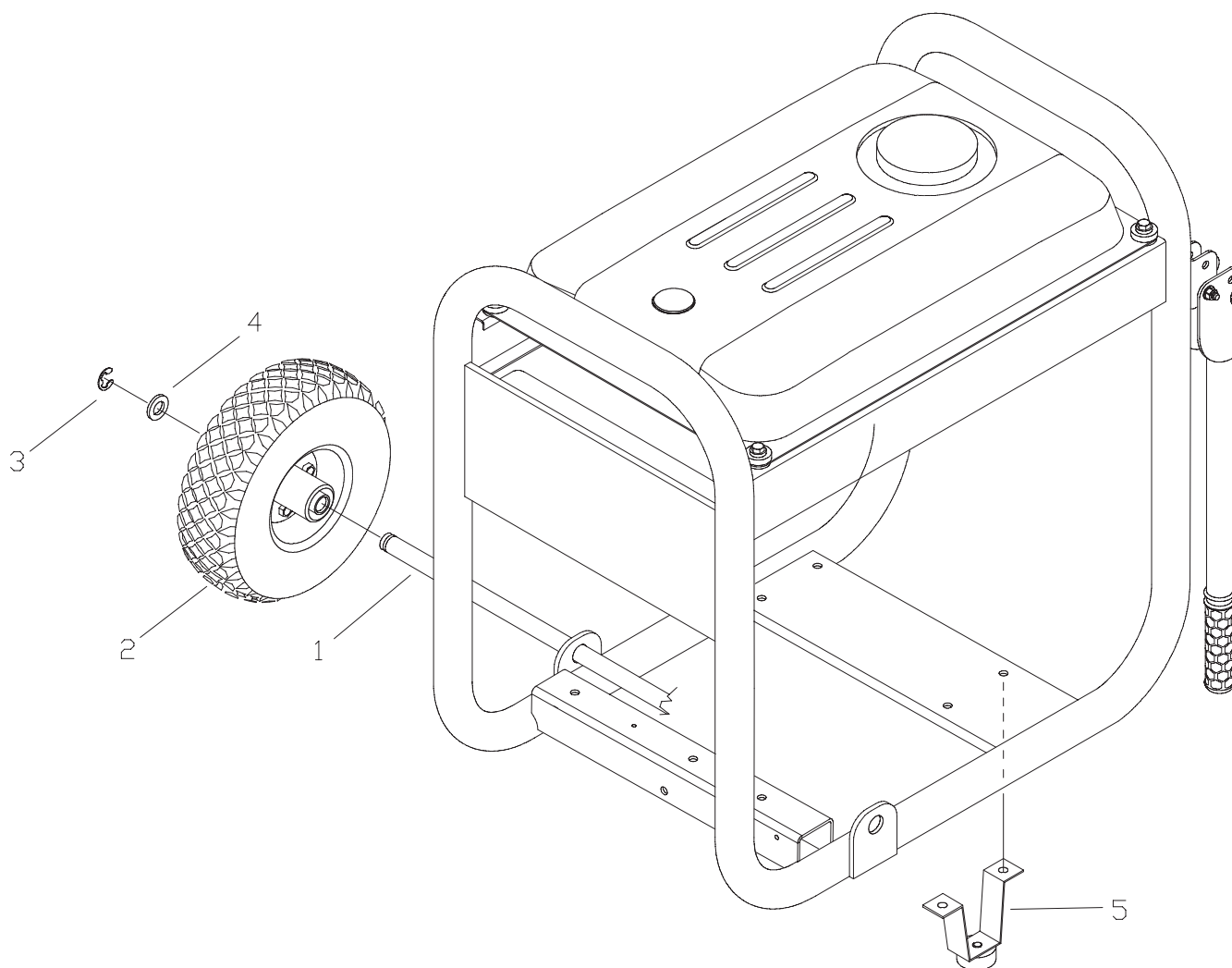
## EXPLODED VIEW AND PARTS LIST - ALTERNATOR



Item	Part #	Description
1	186059GS	ADAPTER, Mounting, Alternator
2	191952GS	ASSY, Rotor (Includes Item 11)
3	191953GS	STATOR
4	193336GS	RBC, (with O-Ring p/n 189197GS)
5	*	WASHER, 1/4-M6 Lock
6	66449KGS	BOLT, M6 - 1.0 x 200
7	66849GS	TAPTITE, M5 - 0.8 x 16
8	66386GS	ASSY, Holder, Brush
9	205858GS	BOARD, Circuit, System Control
10	81917GS	PIN, Roll, 4mm x 10
11	65791GS	BEARING

\* - Items without part numbers are common fasteners and are available at your local hardware store.

## EXPLODED VIEW AND PARTS LIST - WHEEL KIT



Item	Part #	Description
1	191267JGS	AXLE, 5/8" x 25.59"
2	B4966GS	WHEEL
3	191265GS	E-RING, 5/8
4	*	WASHER, 5/8
5	203977GS	ASSY, Leg, Support w/Vibration Mount

**Parts Not Illustrated**  
 200913GS                      KIT, Hardware, Wheel

\* - Items without part numbers are common fasteners and are available at your local hardware store.

## Free Manuals Download Website

<http://myh66.com>

<http://usermanuals.us>

<http://www.somanuals.com>

<http://www.4manuals.cc>

<http://www.manual-lib.com>

<http://www.404manual.com>

<http://www.luxmanual.com>

<http://aubethermostatmanual.com>

Golf course search by state

<http://golfingnear.com>

Email search by domain

<http://emailbydomain.com>

Auto manuals search

<http://auto.somanuals.com>

TV manuals search

<http://tv.somanuals.com>