



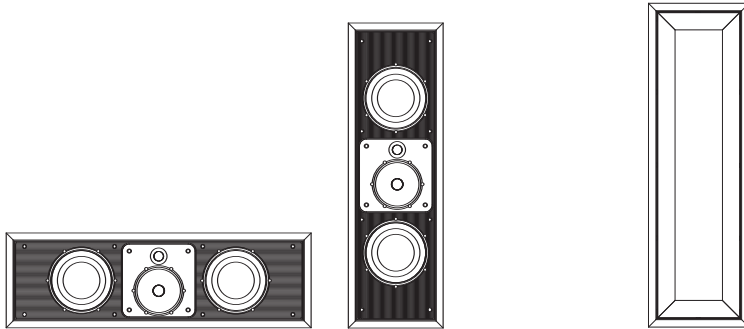
*Signature* **B&W**

Installation Instructions

**B&W** Bowers & Wilkins

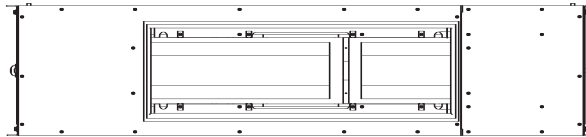
# Contents

<b>English</b>	<b>1</b>
<b>Français</b>	<b>4</b>
<b>Deutsch</b>	<b>8</b>
<b>Español</b>	<b>12</b>
<b>Italiano</b>	<b>16</b>
<b>Nederlands</b>	<b>20</b>
<b>Русский</b>	<b>24</b>

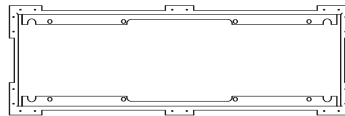


Baffle

Wall frame and grille



Back box



PMK

## **Cut-off diagrams**

# English

## INTRODUCTION

### Description

The Signature 8NT is a 3-way in-wall speaker capable of true audiophile performance. The total design is divided into four separate modules:

1. Wall frame and grille
2. Baffle with drive units and crossover
3. PMK (Pre/post Mount Kit)
4. Back box

Separately packing each module enables parts to be stored safely off site until they are needed. The first two modules are required for all installations and so are delivered together in a master carton. See below in this section to find out whether you need either the PMK or the back box for your particular application. You will need one of them, but not both.

The speaker may be bi-wired or bi-amplified if desired. On delivery, the two pairs of input terminals are shorted together for single wiring by two looped link wires on the crossover board. To bi-wire or bi-amplify, snip these link wires at the top of the loop. This will allow enough length for reconnection later if desired.

Do not begin the work until you have thoroughly read this guide.

To get the best from the speaker, it is important that it is installed in a proper manner. We suggest you familiarise yourself fully with these instructions before starting any work. If there is any point you do not understand, help and advice is available from the appointed B&W distributor/importer in your country.

### Installation options

#### Warning;

The speaker drive units create stray magnetic fields, which may affect televisions containing conventional cathode ray picture tubes. Keep the

speaker at least 50cm (20 in) clear of such devices. Some particularly sensitive televisions may require further spacing.

The Signature 8NT can be installed in drywall or solid construction in either vertical or horizontal orientation. With existing drywall construction, the speaker can readily be retrofitted in the vertical orientation. However, horizontal orientation requires cutting into vertical wall studs, so is a major job, more akin to new construction than normal retrofit.

#### The wall frame and grille

The wall frame is installed after final plastering, but before decorating. The grille mesh and frame may be painted as desired before the baffle and drivers are fitted.

#### The baffle

The baffle contains all the working parts of the system. Having it separate from the frame makes it easier to fit the frame and avoids possible damage to the drivers during decorating.

#### The back box

In drywall construction, the back box provides extra sound insulation between adjacent rooms and a safety barrier to the spread of fire between the wall cavity and the room. If you are working with solid walls, the back box gives a defined working volume that extends beyond the immediate area of the speaker itself. Any smaller volume and the speaker will have a restricted bass performance. For extra flexibility in installation, for example keeping clear of other objects in the wall, the speaker may be positioned either in the centre of the back box, or to one end. (Figure 16)

#### The PMK

The PMK is used in drywall construction whenever the back box is not required, whether new construction or retrofit.

## PLANNING THE SPEAKER POSITION

### Overview

Consider carefully where the speakers are to be

placed in the room according to the application. The following are guidelines but, as with any custom installation, specific on-site conditions may require adaptation. In particular, the position of wall studs in drywall construction may necessitate adjustment of the recommended speaker position.

The speaker may be installed in either vertical or horizontal orientation, the latter normally used for centre channel applications to allow positioning above or beneath the screen.

In order to maintain optimum horizontal dispersion through the upper crossover region and cover a spread of listeners, the centre portion of the baffle containing the midrange and tweeter should be rotated by 90° so that the drivers are positioned one above the other.

The summing axis of the midrange and tweeter is deliberately tilted 5° towards the midrange driver and this, together with the ability to rotate of the centre portion of the baffle, permits greater freedom when planning the vertical position of the speakers. If the speaker is to be mounted with its centre above ear height, turn the sub-baffle so that the tweeter is above the midrange. If it is to be mounted below ear height, have the tweeter below the midrange. Try to keep the centre within 10° of ear height for best results. Beyond 10°, a response dip at crossover will begin to develop, which will make the sound seem more recessed. Consider 15° the maximum to allow. (Figure 1)

In horizontal orientation, the speaker will cross normally spaced vertical drywall studs, so special stud construction will be required to give the necessary clearance, even if not using the back box.

### 2-channel audio

Aim to have the speakers and the front centre listener approximately at the corners of an equilateral triangle. The listening distance will then determine the speaker separation. If you are restricted, err on the side of having the speakers closer together to avoid the 'hole in the middle' effect. (Figure 2)

The height of the speakers should ideally be such that the centre of the baffle is within 10° of ear height.

### Multi-channel left/right front

The angle between the speakers at the listener is normally less than for 2-channel audio. Normally this means the speakers are within 0.5m (20 in) of the side of the screen.

The height should be chosen so that the centre of the baffle is as close to screen centre height as possible, while keeping within 10° of ear height.

### Multi-channel centre front

If using an acoustically transparent projection screen, position the speaker as close to screen centre as possible, while keeping within 10° of ear height. Use vertical orientation.

In all other cases, orient the speaker horizontally and place it either immediately above or below the screen.

### Multi-channel surround

Place the speakers with the centre of the baffle around 60cm (2 ft) above ear height to give a more diffuse sound than from the front speakers. For 5.1 channel systems, the two surround speakers should be positioned an angle of approximately 120° round from front centre. (Figure 3) For 6.1 EX systems, the two side speakers should be more forward than this, almost in line with the listeners. One speaker should be placed on the rear wall directly in line with the centre of the listening area. Alternatively two rear speakers may be used side by side, one either side of a stud in drywall construction. (Figure 4) For 7.1 systems, the two rear speakers should be further apart. A good guideline is for them to have an angular spread of about 40° to the listeners. (Figure 5)

## CHECK THE CONTENTS

### Wall frame and grille pack

- Wall frame
- Metal grille with scrim attached
- 8x M5 x 30mm screws (frame to PMK or back box)

### Baffle assembly pack

- Baffle with drivers and crossover
- 8x M6 x 25mm screws (baffle to frame)
- Owner's Manual
- M6 Allen Key
- 4x Card spacers

### PMK pack

- PMK frame
- 6x brackets
- 12x self-tap screws
- Cut-out template

### Back box pack

- Back box
- Front panel
- Foam pad
- 4x brackets
- Cable entry gland
- Rubber grommet
- 2m foam gasket strip
- 22x self-tap screws (front panel to back box)
- 16x M6 screws (brackets to back box)
- 16x M6 washers (brackets to back box)
- M6 Allen key

## INSTALLATION PROCEDURES

### Existing drywall construction (retrofit) without back box

#### Stage 1 – cutting the sheetrock (plasterboard)

Simple retrofitting is only possible with vertical orientation. For horizontal orientation, follow the instructions for new construction.

Use a stud-finding tool to find the position of the wall studs. Preferably choose a cavity that has no other services running through it in order to avoid the likelihood of rattles. There should be a minimum of 120cm (4 ft) between any cross studs to allow sufficient working volume behind the speaker.

Using the template provided and a spirit level, mark and cut out the hole for the speaker.

#### Stage 2 – preparing the cavity (Figure 6)

Pull the cable through to the top of the aperture plus 30cm (1 ft) to facilitate connection.

Insert suitable absorbent wadding into the cavity, but leave the area immediately behind the aperture clear. Glass or mineral fibre normally used for heat insulation and open cell foam are suitable for this purpose, but ensure they comply with the appropriate local fire and building regulations.

#### Stage 3 – fitting the wall frame

Have on hand the PMK frame, the wall frame (having removed the metal grille) and at least 2 screws from the wall frame module.

### New drywall construction without back box

#### Stage 1 – fitting the PMK

Ensure the wall studding is properly prepared.

In vertical orientation, the PMK fits between two adjacent studs on standard 40cm (16 in) spacing. The speaker needs a minimum of 40 litres (1.4 cu ft) operating volume, so ensure there is a minimum of 120cm (4 ft) clear height in the cavity not obstructed by cross studs. (Figure 9)

In horizontal orientation, it is necessary to cut through 2 vertical studs and therefore cross studs should be fitted above and below the speaker to support the wall. A clear vertical spacing of 38cm (15 in) between the cross studs is needed to provide the necessary volume for the speaker. (Figure 10)

Keep the whole of the cavity available to the speaker clear of services or ducting that may be induced to rattle.

Screw the 6 brackets to the front of the PMK frame using the self-tapping screws provided. In vertical orientation, use the 6 anchor positions down the long sides. (Figure 9)

In horizontal orientation, use the 4 anchor positions along the short sides and the 2 central ones along the long side. (Figure 10)

Screw or nail the brackets to the wall studs, using a spirit level to ensure the frame is properly square.

### New drywall construction with back box

#### Stage 1 – fitting the back box

Ensure the wall studding is properly prepared so that there is sufficient clearance for the back box and its cable entry gland. The speaker baffle may be positioned either in the centre or to one end of the back box, allowing greater flexibility in positioning the back box around the desired speaker position. (Figure 16)

In vertical orientation, the back box fits between two adjacent studs if on standard 40cm (16 in) spacing. (Figure 13)

In horizontal orientation, it is necessary to cut through 3 vertical studs and therefore cross studs should be fitted above and below the back box to support the wall. (Figure 14)

Attach the 4 brackets to the back box as required to fix to the wall studs. Use 4 M6 machine screws and washers per bracket. If the brackets are fitted to a short side, they overlap and only 6 screws are required to fix 2 brackets. Do not tighten the screws fully at this stage to allow the brackets to slide. (Figures 13, 14 & 15)

Knock out one of the circular cable entry discs in the back box and fit the cable entry gland. If using vertical orientation, knock out the disc in the short side at the open end. If using horizontal orientation, knock out one of the discs in a long side, preferably one nearest the open end.

### New solid wall construction with back box

#### Stage 1 – building in the back box

The back box is used to define the working volume of the speaker and should be built in to the brick or block work in a similar manner to a window frame. The brackets, machine screws and cable entry gland supplied will not be required. Care must be taken to avoid the back box rattling against the wall. It should therefore be wedged in position such as to give a clear gap all round. If it is desired to settle the back box onto the lower course of bricks, use a flexible mastic rather than cement or mortar. The back box is not designed to take the weight of the wall above, so a suitable lintel should be used. (Figure 18)

Before positioning the back box in the wall, knock out one of the circular cable entry discs in the back box and fit the rubber grommet to avoid chafing the cable. The cable entry gland is not required. If the wall is an internal, single thickness wall, it is probably easiest to use one of the cable entries in the back face and run the cable on the reverse side of the wall. (Figure 19) To aid alignment, temporarily fit the front panel to the back box the desired way round, using 2 of the self-tapping screws. (Figure 16) To prevent debris entering the back box, tape a sheet of polythene or similar over the aperture until all the brickwork is complete.

With retrofit applications, the brackets and screws provided in the PMK pack are not required.

**Warning:**

Beware of the edges of the sliding nuts when handling the PMK frame. You may wish to wear a glove.

Feed the PMK frame through the aperture in the sheetrock (plasterboard) and pull forward into position. (Figure 7)

With one arm passing through the wall frame, hold the PMK in place and offer the wall frame into position with the other hand. Pinching the parts to each side of the sheetrock with one hand, insert and finger tighten the 2 screws to hold the parts together. (Figure 8)

Insert the remaining 6 screws and level the frame before tightening the screws until the wall frame and PMK frame securely grip the sheetrock.

Feed the speaker cable (single or bi-wire) to the nearest end of the PMK frame to avoid having to pass the cable behind the speaker. Secure the cable so that it cannot rattle against the studding or drywall panels. Allow around 30cm (1 ft) of free cable to facilitate connection.

**Stage 2 – fitting the sheetrock** (Figure 11)

Attach the sheetrock (plasterboard) to the wall and cut out an aperture flush with the inner edge of the PMK front face.

Fill the cavity outside the area of the PMK with suitable absorbent wadding. Glass or mineral fibre normally used for heat insulation and open cell foam are suitable for this purpose, but ensure they comply with the appropriate local fire and building regulations.

**Stage 3 – fitting the wall frame** (Figure 12)

Fit the wall frame after the final plaster skim coat has been applied, but before decoration.

Remove the grille mesh from the wall frame and screw the frame to the PMK using the 8 screws provided.

Remove the nut at the short end of the entry gland and insert from the outside so the long end points out of the back box. Refit and tighten the nut on the inside of the back box. (Figure 15)

To aid alignment, temporarily fit the front panel to the back box the desired way round, using 2 of the self-tapping screws. (Figure 16)

Line up the back box and screw or nail the brackets to the wall studs. Use a spirit level to ensure the frame is properly level and tighten all the screws holding the brackets to the back box. (Figures 13 & 14)

Remove the front panel and feed the speaker cable (single or bi-wire) through the cable entry gland. Route the cable through the wooden bracing studs and pull through enough length to reach the nearest end of the opening in the front panel plus 30cm (1 ft) for ease of connection. Secure the cable so that it cannot rattle against the studding or drywall panels. Tighten the cable entry gland around the cable.

Position the foam pad in the back box so it will clear the aperture and screw the front panel securely in place in the desired orientation. (Figure 16 with foam position in grey) Use 16 self-tap screws round the outer edge, 4 in the recessed long sides of the aperture and 2 near one short side of the aperture.

Run the foam tape provided round the edge of the aperture to act as a seal to the sheetrock. (Figure 17)

**Stage 2 – fitting the sheetrock**

Attach the sheetrock (plasterboard) to the wall and cut out an aperture flush with the lip of the opening in the back box. (Figure 11)

Remove debris from the inside of the back box with a vacuum cleaner.

**Stage 3 – fitting the wall frame** (Figure 12)

Fit the wall frame after the final plaster skim coat has been applied, but before decoration.

Remove the grille mesh from the wall frame and screw the frame to the back box using the 8 screws provided.

When the brickwork is complete, remove the front panel from the back box. Run the cable into the back box. Take it to where one end of the aperture will be, then leave an additional 30cm (1 ft) to aid connection.

Position the foam pad in the back box so it will clear the aperture and screw the front panel securely in place in the desired orientation. (Figure 16 with foam position in grey) Use 16 self-tap screws round the outer edge, 4 in the recessed long sides of the aperture and 2 near one short side of the aperture.

Run the foam tape provided round the edge of the aperture to act as a seal. (Figure 17)

**Stage 2 – finishing the wall**

Even if plastering the wall in the traditional manner, we recommend that, for vibration reasons outlined above, the surfaces of the back box (front and back) are covered by sheetrock (plasterboard) attached with mastic. On the front face, a hole should be cut in the sheetrock flush with the lip of the aperture in the back box. At the back, allow for the cable if necessary. If there is no option to wet plastering, pre-cut the back box with a suitable adhesive first.

Remove debris from the inside of the back box with a vacuum cleaner.

**Stage 3 – fitting the wall frame** (Figure 12)

Fit the wall frame after the final plaster skim coat has been applied, but before decoration.

Remove the grille mesh from the wall frame and screw the frame to the back box using the 8 screws provided.

## All applications

### Stage 4 – decorating

In preparation for painting, lightly abrade the flange of the wall frame with fine emery cloth to provide a key and remove the scrim from the back of the grille mesh.

The frame and grille may be painted using normal water-, oil- or enamel-based paint, applied by brush, roller or spray as desired. Spray painting the metal grille is preferred as there is less chance of blocking the holes.

Do not paint the grille mesh with the textile scrim in place as this will close the pores and impair the sound quality.

### Stage 5 – fitting the baffle and grille

The baffle assembly is supplied with a steel bar linking the magnets of the bass and midrange drive units. This bar is for protection against shock in transit and must be removed before fitting the baffle, by simply removing the central screw into the midrange drive unit. We suggest you retain the bar, spacer and screw should the baffle need to be transported at a later date.

Orient the baffle so that the terminals are close to the cable. Before fitting, make sure the central sub-baffle is the right way round. The tweeter and midrange should be one above the other, with the midrange nearer ear height. (Figure 1)

Tape the 4 card spacers in the bottom corners of the wall frame to give the correct vertical and horizontal alignment. Lodge the lower edge of the baffle in the wall frame and lean the top out while connections are made. Check to see that the wire loop links are cut if you are bi-wiring or remain connected for single wiring. Then push the baffle fully into place and secure with the screws provided. Remove the card spacers. (Figure 20)

Refit the scrim to the grille mesh and smooth down all bubbles before pushing the grille into position. If the scrim does not lie neatly on the grille, spray the back of the metal mesh (not the scrim) with a suitable adhesive such as 3M Spraymount.

## HANDING OVER

On completion of the job, fill in the dealer details section of the Owner's Manual/Warranty booklet from the baffle assembly pack and hand it to the client.

# Français

## INTRODUCTION

### Description

La Signature 8NT est une enceinte encastrable 3 voies capable de performances réellement audiophiles.

Sa conception d'ensemble se compose de quatre modules séparés :

1. Le châssis mural et la grille frontale
2. Le baffle, avec les haut-parleurs et le filtre
3. Le kit de pré/post-montage PMK (Pre/post Mount Kit)
4. Le volume de charge arrière Back box

Chacun de ces modules est emballé séparément, afin de pouvoir le stocker en sécurité tant qu'on n'en a pas besoin. Les deux premiers modules sont nécessaires dans tous les types d'installation, et ils sont donc regroupés dans un carton extérieur principal. Voir plus loin dans cette introduction les cas où seront nécessaires le kit de montage PMK et/ou la boîte

Veuillez conserver une distance d'au moins 50 cm entre les haut-parleurs et ce tube. Quelques téléviseurs particulièrement sensibles nécessiteront un espacement encore plus grand.

La Signature 8NT peut être installée dans un mur plein ou un mur creux, en position verticale ou horizontale. Dans les parois creuses existantes, il n'y a pas de problème majeur pour une installation verticale. Par contre, une installation horizontale nécessitera presque obligatoirement de couper les supports verticaux des parois, ce qui constitue une tâche ardue et délicate, s'apparentant pratiquement au montage d'une nouvelle cloison.

### Le châssis mural et la grille frontale

Le châssis mural se pose après enduit du mur, mais avant décoration. La grille et le cadre peuvent être peints avant fixation du baffle et des haut-parleurs, si désiré.

### Le baffle

Le baffle supporte tous les éléments actifs du système. Le fait qu'il soit indépendant du cadre-châssis permet une installation aisée de celui-ci, et évite tout dommage éventuel aux haut-

être pris comme des conseils d'ordre général, mais, comme dans n'importe quelle installation personnalisée, les conditions particulières de chaque site peuvent nécessiter des adaptations. En particulier, la position des supports verticaux des parois creuses peut nécessiter quelques ajustements par rapport à la position idéale prédéterminée de chaque enceinte.

L'enceinte peut être positionnée verticalement ou horizontalement, cette dernière position étant normalement utilisée en enceinte centrale, pour un fonctionnement idéal sous ou derrière l'écran.

Afin de conserver une dispersion horizontale optimale dans la partie supérieure du filtre, et de bénéficier au plus grand nombre d'auditeurs possible, la partie centrale supportant le haut-parleur médium et le tweeter peut pivoter de 90° de telle manière que les deux haut-parleurs soient toujours positionnés l'un au-dessous de l'autre.

L'axe commun du médium et du tweeter est volontairement incliné de 5° ce qui, associé au pivotement de 90° au centre de la platine, permet une grande liberté lorsqu'on choisit la

La hauteur des enceintes sous-entend que l'angle entre le centre du baffle et l'oreille des auditeurs est de 10°.

### **Reproduction multicanal, enceintes avant gauche et droite**

L'angle formé entre les enceintes et l'auditeur privilégié doit être inférieur à celui nécessaire à une reproduction uniquement deux canaux. Normalement, les deux enceintes doivent dépasser d'environ 50 cm chaque extrémité de l'écran.

La hauteur doit être choisie de telle manière que le centre des baffles soit le plus près possible du centre de l'écran, en conservant un angle de 10° avec les oreilles des auditeurs.

### **Reproduction multicanal, enceinte centrale avant**

Si vous utilisez un écran transparent acoustiquement, placez l'enceinte aussi près que possible du centre de l'écran, en conservant un angle de 10° avec les oreilles des auditeurs.

arrière Back box, dans des applications particulières. Vous aurez peut-être besoin de l'un ou de l'autre, mais jamais des deux.

L'enceinte peut être bi-câblée ou bi-amplifiée, si désiré. À la livraison, les deux paires de prises sont reliées entre elles, pour un câblage simple, par des câbles de liaison sur le circuit imprimé du filtre. Pour bi-câbler ou bi-amplifier l'enceinte, coupez ces câbles à une extrémité de la boucle qu'ils forment ; cela leur laissera suffisamment de longueur pour les reconnecter éventuellement, dans le futur.

Ne commencez pas l'installation sans avoir soigneusement et intégralement lu ce guide.

Pour obtenir les meilleurs résultats de cette enceinte, il est très important qu'elle soit installée correctement. Nous vous suggérons de vous familiariser avec l'ensemble des instructions qui suivent avant de commencer le travail. S'il y a un point que vous ne comprenez pas parfaitement, aide et conseil sont toujours disponibles auprès de votre revendeur agréé et du distributeur officiel B&W, dans votre pays.

### Options d'installation

#### Attention :

Les haut-parleurs génèrent des champs magnétiques pouvant affecter les téléviseurs utilisant des tubes cathodiques traditionnels.

parleurs pendant les opérations de décoration.

#### La boîte arrière Back box

Pour les installations dans les murs creux, la Back box assure une isolation acoustique supplémentaire vis-à-vis des pièces adjacentes, et une protection efficace en cas d'incendie, entre la cavité murale et la pièce. Dans le cas des murs pleins, la Back box définit un volume de charge précis parfaitement adapté, juste derrière l'enceinte proprement dite. Un volume arrière plus réduit entraînera des performances limitées dans le grave. Pour une grande souplesse dans l'installation, par exemple pour éloigner l'enceinte d'autres objets encastrés dans le mur, celle-ci peut être positionnée au centre de la Back box, ou à l'une ou l'autre de ses extrémités (figure 16).

#### Le kit PMK

Le kit PMK est utilisé dans les parois creuses, là où la Back box n'est pas nécessaire, dans une construction en cours ou existante.

## DÉTERMINER LA POSITION DE L'ENCEINTE

### Considérations générales

Veillez considérer avec une grande attention la position des enceintes en fonction de leur utilisation finale. Les conseils suivants doivent

position verticale de l'enceinte. Si l'enceinte est montée avec son centre positionné au-dessus des oreilles des auditeurs, tournez la platine centrale de telle manière que le tweeter se trouve au-dessus du haut-parleur médium. Si elle est montée avec le centre au-dessus des oreilles des auditeurs, laissez le tweeter au-dessus du haut-parleur médium. Essayez de laisser le centre dans un angle maximum de 10° par rapport aux oreilles des auditeurs. Au-delà de cet angle, la courbe de réponse commencera à chuter, donnant l'impression que le son est moins transparent. Considérez une valeur de 15° comme un maximum. (figure 1)

En position horizontale, l'enceinte va certainement couper les supports verticaux des cloisons, ce qui nécessitera une modification spéciale de la structure de ces supports, afin de laisser l'espace nécessaire à l'enceinte, même si on n'utilise pas la Back box.

### Audio 2 canaux

Essayez de conserver une position où les deux enceintes et l'auditeur se trouvent aux angles d'un triangle équilatéral. La distance d'écoute détermine donc la distance séparant les deux enceintes. Si cela n'est pas possible, rapprochez les enceintes afin d'éviter surtout la création d'un effet de « trou au milieu ». (figure 2)

Dans tous les autres cas, orientez l'enceinte horizontalement et placez-la directement au-dessus ou au-dessous de l'écran.

### Enceintes arrière Surround multicanal

Positionnez les enceintes avec le centre de leur baffle placé approximativement 60 cm au-dessus des oreilles des auditeurs afin de produire un son plus diffus que celui émis par les enceintes avant. Pour les systèmes à 5.1 canaux, les deux enceintes arrière Surround seront positionnées selon un angle de 120° par rapport au centre. (figure 3) Pour les systèmes 6.1 EX, les deux enceintes latérales doivent être placées nettement plus en avant, sur la même ligne que les auditeurs. Une enceinte doit être positionnée sur le mur arrière, directement en ligne avec le centre de la zone d'écoute. On peut également utiliser deux enceintes arrière placées côte à côte, de part et d'autre d'un support vertical d'un mur creux. (figure 4) Pour les systèmes 7.1, les deux enceintes arrière doivent être plus éloignées l'une de l'autre. Un bon principe consiste à les séparer de telle manière qu'elles forment un angle de 40° avec l'auditeur central. (figure 5)

## VÉRIFICATION DES CONTENUS

### Châssis mural et grille frontale

- Châssis mural
- Grille métallique avec son tissu attaché
- 8 vis M5 x 30 mm (châssis pour kit PMK ou Back box)

### Baffle

- Baffle, avec les haut-parleurs et le filtre
- 8 vis M6 x 25 mm (baffle sur châssis)
- Manuel d'utilisation
- Clé Allen M6
- 4 cartes d'espacement

### Pack du kit PMK

- Cadre PMK
- 6 x supports
- 12 x vis à auto-serrage
- Gabarit d'encastrement

### Pack volume arrière Back box

- Back box
- Plaque de mousse
- Gousset de passage de câble
- 2 m ruban mousse
- 22 vis à auto-serrage (panneau avant sur Back box)
- 16 vis M6 (supports sur Back box)
- 16 rondelles M6 (supports sur Back box)
- Clé Allen M6
- Panneau avant
- 4 x supports
- Joint caoutchouc de câble

## PROCÉDURES D'INSTALLATION

### Construction avec murs creux existants, sans Back box

#### Étape 1 – coupe de la cloison (panneau style placoplâtre)

Un simple encastrement n'est possible qu'avec une orientation verticale. Pour une orientation horizontale, veuillez vous reporter aux colonnes « Nouvelle construction avec murs creux ».

Utilisez un outil spécial pour repérer la position des supports verticaux des panneaux constituant la cloison. Choisissez de préférence une cavité n'abritant pas d'autres éléments internes pour éviter tout risque de vibrations parasites. Il doit y avoir un minimum de 120 cm d'espace entre deux supports perpendiculaires, afin de permettre un volume de travail suffisant derrière l'enceinte.

Utilisez le gabarit fourni et un niveau à bulle, marquez l'emplacement et coupez la cloison pour dégager l'emplacement de l'enceinte.

#### Étape 2 – préparation de la cavité (figure 6)

Tirez le câble de branchement depuis l'intérieur du trou, plus 30 cm pour faciliter le branchement.

Insérez un matériau amortissant adapté à l'intérieur de la cavité, mais laissez libre toute la zone présente immédiatement derrière l'ouverture. De la fibre minérale, du molleton synthétique ou des plaques de mousse constituent des amortissants efficaces. Vérifiez toujours qu'ils soient en conformité avec la législation en vigueur concernant les normes de construction et de lutte anti-incendie.

#### Étape 3 – installation du châssis mural

Prenez le kit de montage PMK, le châssis mural (après avoir ôté la grille frontale) et au moins deux des vis prévues pour le montage du châssis.

Dans les montages sur cloisons existantes, les supports et les vis fournies dans le pack du kit PMK ne sont pas nécessaires.

#### Attention :

Prenez garde aux angles des pinces du kit PMK. Il est conseillé de porter des gants.

### Construction nouvelle avec murs creux, sans Back box

#### Étape 1 – installation du kit PMK

Assurez-vous que les supports du mur sont correctement préparés.

Dans le cas d'une orientation verticale, le kit PMK se place sans problème entre deux supports adjacents d'espacement standard de 40 cm. L'enceinte a besoin d'un volume interne de charge d'au moins 40 litres, ce qui sous-entend qu'il existe à l'intérieur un espace d'au moins 120 cm en hauteur non obstrué par des cloisons perpendiculaires. (figure 9)

Dans le cas d'une orientation horizontale, il est nécessaire de couper deux des supports verticaux, puis de les remplacer par deux supports horizontaux placés au-dessus et au-dessous de l'enceinte, pour supporter le mur. Un espace libre vertical d'au moins 38 cm, entre les supports perpendiculaires, est nécessaire pour fournir le volume nécessaire pour l'enceinte. (figure 10)

Laissez toute la cavité intérieure libre de tout câble ou tuyau, afin d'éviter toute vibration parasite.

Vissez les six supports à l'avant du kit PMK en utilisant les vis auto-serrantes fournies. Dans le cas d'une orientation verticale, utilisez les six supports horizontaux, le long des plus grands côtés. (figure 9)

Dans le cas d'une orientation horizontale, utilisez quatre supports horizontaux le long des petits côtés, et deux supports verticaux le long des grands côtés. (figure 10)

Vissez ou clouez les supports du cadre sur les supports des parois, en utilisant un niveau à bulle afin de vous assurer de la parfaite horizontalité/verticalité du cadre.

Passez-le ou le câble(s) (simple ou bi-câblage) le plus près possible d'un bord du cadre PMK pour éviter que celui-ci ne passe directement derrière les haut-parleurs. Bloquez-le pour qu'il ne risque pas de vibrer contre les supports ou

### Construction nouvelle avec murs creux, avec Back box

#### Étape 1 – installation de la Back box

Vérifiez que la structure du futur mur est correctement préparée, avec notamment suffisamment d'espace pour la Back box et son orifice d'entrée du câble. Le baffle de l'enceinte pourra être positionné au centre ou à une des extrémités de la Back box, ce qui assure plus de souplesse quant à l'installation de la Back box par rapport à la position désirée de l'enceinte. (figure 16)

Dans le cas d'une orientation verticale, la Back box s'insère entre les deux supports verticaux adjacents d'un espacement standard de 40 cm (figure 13)

Dans le cas d'une orientation horizontale, il sera nécessaire de couper trois des supports verticaux, puis de placer des supports horizontaux supplémentaires au-dessus et au-dessous de la Back box, pour supporter les panneaux du mur. (figure 14)

Fixez les quatre supports à la Back box, comme pour fixer les panneaux de la cloison sur ses supports verticaux. Utilisez quatre vis M6 et leurs rondelles par support. Si les supports sont fixés sur un des petits côtés, ils dépassent et seules six vis sont nécessaires pour fixer deux supports. À cette étape du montage, ne pas visser complètement les vis afin de permettre aux supports de bouger légèrement. (figures 13, 14 & 15)

Dégagez un des disques de passage du câble et fixez l'ensemble du gousset de passage. En utilisation verticale, fixez ce gousset sur le plus élevé des petits côtés. En utilisation horizontale, utilisez le plus long côté supérieur, de préférence près d'un des angles avec un petit côté. Déplacez alors le gousset en dévissant un de ces écrous, puis en réinsérant l'ensemble à l'endroit désiré. N'oubliez pas de revisser fermement les deux écrous de blocage du gousset de passage de câble. (figure 15)

Pour vous aider dans l'alignement correct, placez l'avant de la Back box dans sa position désirée,

### Construction nouvelle avec murs pleins, avec Back box

#### Étape 1 – encastrement de la Back box

La Back box est conçue pour définir le volume de charge arrière de l'enceinte ; elle doit être encadrée dans le mur plein, briques ou parpaings, de la même manière que le cadre d'une fenêtre. Les supports latéraux, leurs vis, et le gousset de passage du câble ne sont pas nécessaires. Un soin tout particulier doit être pris pour que la Back box ne puisse pas vibrer dans le mur. Elle doit pouvoir être placée en position correcte avec un léger espace tout autour. Si on doit la sceller le long d'un mur de briques, utiliser de préférence un joint souple en silicone plutôt que du plâtre ou du ciment. La Back box n'est pas conçue pour supporter le poids du mur placé au-dessus d'elle : prévoir un linteau approprié pour ce faire. (figure 18)

Avant de positionner la Back box dans le mur, retirez un des disques de passage du câble et fixez-y le joint en caoutchouc pour éviter de couper le câble. Le gousset de passage n'est pas nécessaire. S'il s'agit d'un mur plein, d'une seule pièce, il sera sûrement plus pratique d'utiliser une des entrées de câble en face arrière de la Back box, le câble entrant dans le mur sur sa face opposée. (figure 19)

Pour vous aider dans l'alignement correct, placez l'avant de la Back box dans sa position désirée, puis fixez-la temporairement avec deux vis auto-serrantes. (figure 16)

Pour éviter que des débris n'entrent dans la Back box, collez une feuille de plastique ou équivalent devant l'ouverture frontale pendant toute la période des travaux d'encastrement.

Lorsque les travaux de maçonnerie sont terminés, désolidarisez le châssis avant de la Back box. Passez le câble dans la Back box. Tirez-le vers l'extérieur, de préférence en longeant un des côtés, et laissez 30 cm sortis pour faciliter le branchement final.

Positionnez la plaque de mousse dans la Back box de telle manière qu'elle laisse l'ouverture libre, puis vissez fermement le panneau frontal dans son orientation voulue. (figure 16, avec position de la mousse en gris). Utilisez les seize



Passez le cadre du kit PMK à travers l'ouverture pratiquée dans la cloison, et plaquez-le en position définitive. (figure 7)

Avec un bras passant à travers l'ouverture pratiquée, maintenez le cadre PMK en place, et présentez le cadre mural en face, avec votre autre main. Plaquez les deux parties ainsi placées de part et d'autre de la cloison, puis vissez fermement deux des vis opposées pour maintenir les deux parties ensemble. (figure 8)

Insérez les six vis restantes, mais alignez parfaitement le châssis externe et le cadre PMK interne afin qu'ils adhèrent parfaitement à la paroi qu'ils enserment.

les cloisons. Laissez sortir environ 30 cm de câble pour faciliter le branchement final.

### Étape 2 – installation du panneau (style placoplâtre) (figure 11)

Attachez le panneau sur le mur proprement dit, en découpant soigneusement une ouverture correspondant au bord interne de la face avant du cadre PMK.

Insérez un matériau amortissant adapté à l'intérieur de la cavité, mais laissez libre toute la zone présente immédiatement derrière l'ouverture. De la fibre minérale, du molleton synthétique ou des plaques de mousse constituent des amortissants efficaces. Vérifiez toutefois qu'ils soient en conformité avec la législation en vigueur concernant les normes de construction et de lutte anti-incendie.

### Étape 3 – installation du châssis mural (figure 12)

Placez le châssis mural après que l'enduit externe ou le revêtement plastique éventuel de la cloison ait été posé, mais avant la décoration finale.

Retirez la grille frontale, puis vissez le châssis sur le cadre PMK en utilisant les huit vis fournies.

puis fixez-la temporairement avec deux vis auto-serrantes. (figure 16)

Alignez la Back box, puis vissez ou clouez ses supports sur les supports verticaux de la cloison. Utilisez un niveau à bulle pour vous assurer de l'alignement parfait du cadre, puis vissez fermement toutes les vis des supports maintenant la Back box. (figures 13 & 14)

Retirez le panneau frontal, puis passez le câble (simple ou bi-câblage) au travers de son gousset. Faites le suivre le renfort en bois le plus proche, puis tirez-le suffisamment pour qu'il atteigne l'angle de l'ouverture le plus proche, plus encore 30 m pour faciliter le branchement final. Fixez soigneusement le câble afin qu'il ne puisse vibrer contre les supports verticaux ou les panneaux de la cloison. Vissez enfin le gousset de passage du câble pour bloquer définitivement celui-ci.

Positionnez la plaque de mousse dans la Back box de telle manière qu'elle laisse l'ouverture libre, puis vissez fermement le panneau frontal dans son orientation voulue. (figure 16, avec position de la mousse en gris). Utilisez les seize vis auto-serrantes tout autour du cadre, dont quatre à l'intérieur de chacun des deux grands côtés, et deux près des petits côtés de l'ouverture.

Déroulez le rouleau de mousse autocollante tout autour de l'ouverture, afin d'obtenir un joint étanche avec les panneaux du mur (placoplâtre). (figure 17)

### Étape 2 – installation du panneau (style placoplâtre)

Attachez le panneau sur le mur proprement dit, en découpant soigneusement une ouverture correspondant au cadre d'ouverture frontale de la Back box. (figure 11)

Retirez les éventuels débris présents à l'intérieur de la Back box avec un aspirateur.

### Étape 3 – installation du châssis mural (figure 12)

Placez le châssis mural après que l'enduit externe ou le revêtement plastique éventuel de la cloison ait été posé, mais avant la décoration finale.

Retirez la grille frontale, puis vissez le châssis sur le cadre PMK en utilisant les huit vis fournies.

vis auto-serrantes tout autour du cadre, dont quatre à l'intérieur de chacun des deux grands côtés, et deux près des petits côtés de l'ouverture.

Déroulez le rouleau de mousse autocollante tout autour de l'ouverture, afin d'obtenir un joint étanche avec les panneaux du mur (placoplâtre). (figure 17)

### Étape 2 – finition du mur

Même s'il s'agit d'un mur de conception traditionnelle, nous vous recommandons, pour éviter des vibrations, que la périphérie directe de la Back box, intérieur et extérieur, soit réalisé via une cloison style placoplâtre, fixée avec du mastic. Celle-ci déterminera l'ouverture réelle de la Back box à l'avant et, à l'arrière, il ne faudra pas oublier de prévoir le trou de passage du câble. En face arrière, il peut être intéressant d'utiliser un adhésif puissant directement sur la Back box pour renforcer la fixation.

Retirez les éventuels débris présents à l'intérieur de la Back box avec un aspirateur.

### Étape 3 – installation du châssis mural (figure 12)

Placez le châssis mural après que l'enduit externe ou le revêtement plastique éventuel de la cloison ait été posé, mais avant la décoration finale.

Retirez la grille frontale, puis vissez le châssis sur le cadre PMK en utilisant les huit vis fournies.

## Toutes applications

### Étape 4 – décoration

Avant peinture, passez au papier de verre très fin le tour du châssis frontal afin que la peinture « accroche » parfaitement, et retirez le tissu de la grille frontale.

Le cadre et la grille peuvent être peints avec de la peinture à l'eau, à l'huile, ou de la laque, appliquée au pinceau, au rouleau ou via une bombe atomiseur. Cette dernière est préférable pour la grille, car elle présente moins de risque d'obstruer ses fines mailles.

Ne peignez pas la grille en laissant son tissu en place, car vous obstrueriez définitivement les pores de ce dernier, nuisant ainsi gravement à la qualité finale du son.

### Étape 5 – installation du baffle et de la grille frontale

The baffle assembly is supplied with a steel bar linking the magnets of the bass and midrange drive units. This bar is for protection against shock in transit and must be removed before fitting the baffle, by simply removing the central screw into the midrange drive unit. We suggest you retain the bar, spacer and screw should the baffle need to be transported at a later date.

Orientez le baffle de telle manière que ses prises se trouvent près du câble. Avant installation, vérifiez une dernière fois que la platine centrale se trouve dans son orientation vudie. Haut-parleur médium et tweeter doivent impérativement se trouver l'un au-dessus de l'autre, avec le médium placé à hauteur d'oreilles des auditeurs. (figure 1)

Placez les quatre cartes d'espacement dans les angles du châssis mural pour obtenir l'alignement correct, horizontal et vertical. Placez d'abord la partie inférieure du baffle, puis sa partie supérieure, après avoir effectué le branchement électrique. N'oubliez pas de couper les boucles de câbles dans le filtre, si vous utilisez le bi-câblage, ou laissez-les en place pour le mono-câblage. Puis posez doucement le baffle en place, et fixez-le définitivement avec les vis fournies. Retirez les cartes d'espacement. (figure 20)

Remplacez le tissu dans la grille frontale, en éliminant soigneusement tous les plis éventuels, avant de replacer la grille frontale dans sa position définitive. Si le tissu ne se remet pas parfaitement en place, vous pouvez appliquer

très légèrement de l'adhésif (style 3M Spraymount) du côté intérieur de la grille.

## REMISE AU CLIENT

Une fois le travail terminé, remplissez la section réservée au revendeur, dans le manuel d'utilisation/garantie du propriétaire, que vous trouverez dans l'emballage du baffle, et donnez-le au client.

# Deutsch

## INLEITUNG

### Beschreibung

Die Signature 8NT ist ein 3-Wege-Wandebaulautsprecher mit erstklassigen audiophilen Qualitäten.

Die Gesamtkonstruktion besteht aus vier separaten Modulen:

1. Wandrahmen und Abdeckung
2. Schallwand mit Lautsprechersystemen und Frequenzweiche
3. PKM (Pre/Post-Mount Kit)
4. Einbaubox

Die einzelnen Module sind separat verpackt, so dass die jeweiligen Teile bis zu ihrem Einsatz sicher aufbewahrt werden können.

Der ersten beiden Module werden für alle Installationen benötigt und daher zusammen in einem Umkarton geliefert. Weiter unten in diesem Abschnitt erfahren Sie, ob für Ihren speziellen Anwendungsfall eher der PMK-Einbausatz oder

über die Lautsprechergränze hinaus aufbaut. Dies führt bei Fernsehgeräten mit herkömmlichen Kathodenstrahlröhren zu Problemen. Daher sollte der Mindestabstand zwischen dem Lautsprecher und solchen Geräten 50 cm betragen. Bei besonders empfindlichen Fernsehgeräten ist ein noch größerer Abstand zu wählen.

Die Signature 8NT kann vertikal oder horizontal eingebaut werden.

### Der Wandrahmen und die Abdeckung

Der Wandrahmen wird nach dem letzten Verputzen, aber vor den Malerarbeiten installiert. Die Metallabdeckung und der Rahmen können vor dem Anbringen von Schallwand und Lautsprechersystemen wie gewünscht lackiert werden.

### Die Schallwand

Die Schallwand beinhaltet alle Verschleißteile des Systems. Die separate Verpackung erleichtert das Anbringen des Rahmens und beugt möglichen Beschädigungen der Lautsprechersysteme während der farblichen Anpassung vor.

Grundsätzlich ist ein vertikaler und horizontaler Einbau möglich. Horizontal wird der Lautsprecher in der Regel eingebaut, wenn er als Centerlautsprecher genutzt wird, um eine Positionierung über oder unter dem Bildschirm zu ermöglichen.

Zur Optimierung der horizontalen Schallverteilung im oberen Frequenzweichenbereich kann der mittlere Teil der Schallwand, in dem sich Mittel- und Hochtöner befinden, um 90 Grad gedreht werden, so dass die Lautsprechersysteme übereinander sitzen. Dadurch wird der Kreis der Zuhörer, der in den Genuss erstklassiger Klangqualität kommt, vergrößert.

Die Gesamtachse von Mittel- und Hochtöner ist absichtlich 5 Grad zum Mitteltöner geneigt. Dies sorgt zusammen mit der Drehbarkeit des mittleren Teils der Schallwand für eine größere Freiheit bei der vertikalen Positionierung des Lautspechters. Installieren Sie den Lautsprecher so, dass sich sein mittlerer Teil über der Ohrhöhe befindet, muss der Hochtöner über dem Mitteltöner sitzen. Befindet sich der mittlere Teil des Lautspechters unterhalb der Ohrhöhe, muss der Hochtöner unter dem Mitteltöner sitzen. Die

Die Höhe sollte so ausgewählt werden, dass die Schallwandmitte möglichst in Höhe des Bildschirmmittelpunktes und innerhalb von 10 Grad zur Ohrhöhe liegt.

### **Einsatz als Center vorne in einer Mehrkanalanwendung**

Wird eine akustisch transparente Leinwand eingesetzt, positionieren Sie den Lautsprecher möglichst nahe der Bildschirmmitte und innerhalb von 10 Grad zur Ohrhöhe. Bauen Sie den Lautsprecher vertikal ein.

In allen anderen Fällen ist ein horizontaler Einbau mit einer Positionierung auf oder unter dem Bildschirm zu empfehlen.

### **Mehrkanal-Surround**

Der Klang aus einem Surroundlautsprecher sollte möglichst diffus sein. Dadurch wird sichergestellt, dass die Qualität des Audio-Klangbilds von vorne durch Änderung der Hörerposition oder Bewegung des Kopfes nicht beeinträchtigt wird. Die Lautsprecher sollten in der Regel hinter dem Hörer und mindestens 60 cm über Ohrhöhe

die Einbaubox in Frage kommt. In jedem Fall benötigen Sie nur eins dieser beiden Module.

Bei diesem Lautsprecher sind Bi-Wiring (die Lautsprechersysteme erhalten ihre Ansteuerleistung vom Verstärker über separate Lautsprecherkabel) und Bi-Amping (für hohe und tiefe Frequenzen werden getrennte Verstärker eingesetzt) möglich. Bei Lieferung sind die beiden Eingangsanschlussklemmenpaare zur Verwendung mit einem Lautsprecherkabel über zwei Spulen auf der Frequenzweichenplatte verbunden. Für Bi-Wiring- oder Bi-Amping-Anwendungen kappen Sie das Kabel oben an der Wicklung. So lässt es sich später, falls erforderlich, wieder verbinden.

Beginnen Sie mit Ihrer Arbeit erst, wenn Sie sich diese Anleitung gründlich durchgelesen haben.

Um eine optimale Klangqualität zu gewährleisten, ist es wichtig, dass der Lautsprecher korrekt eingebaut wird. Wir empfehlen Ihnen, dass Sie sich zunächst mit den folgenden Hinweisen vertraut machen, bevor Sie mit Ihrer Arbeit beginnen. Sollten Sie Fragen haben, so wenden Sie sich bitte an den B&W-Distributor-/Importeur in Ihrem Land.

### Einbaumöglichkeiten

#### Achtung:

Die Lautsprechersysteme der Signature 8NT erzeugen ein statisches Magnetfeld, das sich

#### Die Einbaubox

Die Einbaubox sorgt für eine zusätzliche Schallsolation zwischen benachbarten Räumen und schützt vor dem Übergreifen von Feuer auf den Raum. Bei festem Mauerwerk definiert die Einbaubox ein genaues Arbeitsvolumen, das über den direkten Bereich des Lautspechters selbst hinausgeht. Bei kleinerem Volumen würde die Basswiedergabe des Lautspechters beeinträchtigt. Die Flexibilität wird dadurch erhöht, dass der Lautsprecher mittig in der Einbaubox oder an einem der beiden Enden positioniert werden kann, um beispielsweise einen gewissen Abstand zu anderen Installationen in der Wand zu halten (Abb. 16).

#### Der PMK-Einbausatz

Der PMK-Einbausatz wird immer dann genutzt, wenn die Einbaubox nicht erforderlich ist. Das gilt für neue und bestehende Konstruktionen.

## PLANEN DER LAUTSPRECHERPOSITION

### Überblick

Überlegen Sie sich genau, wie Sie die Lautsprecher einsetzen wollen und wo sie demnach im Raum zu platzieren sind. Es folgen einige grundsätzliche Hinweise, die jedoch den jeweiligen Bedingungen vor Ort angepasst werden müssen.

besten Ergebnisse erzielen Sie, wenn sich das Zentrum innerhalb von 10 Grad zur Ohrhöhe befindet. Jenseits von 10 Grad wird der Klang beeinträchtigt. Betrachten Sie 15 Grad als das maximal Zulässige (Abb. 1).

Bei horizontaler Ausrichtung müssen in der Regel vertikale Balken durchtrennt werden. So wird eine spezielle Balkenkonstruktion erforderlich, um für den nötigen Platz zu sorgen. Das gilt auch, wenn Sie die Einbaubox nicht einsetzen.

### 2-Kanal-Audio

Optimal ist, wenn die Lautsprecher und der vorne mittig sitzende Zuhörer ein gleichseitiges Dreieck bilden. Der Abstand zum Hörer legt dann den Abstand zwischen den Lautsprechern fest. Ist der Raum begrenzt, sollten Sie im Zweifelsfall die Lautsprecher näher zusammenstellen, um klangliche Einbußen im mittleren Bereich des Hörraums zu vermeiden (Abb. 2).

Die Höhe der Lautsprecher sollte so sein, dass der Schallwandmittelpunkt innerhalb von 10 Grad zur Ohrhöhe liegt.

### Einsatz als linker/rechter Frontlautsprecher in einer HiFi-Cinema-Anwendung

Der Winkel zwischen den Lautsprechern zum Hörer liegt hier normalerweise unter dem für 2-Kanal-Audio. In der Regel bedeutet dies, dass der Abstand zur Bildschirmseite 0,5 m beträgt.

platziert werden. Bei 5.1-Kanal-Systemen sollte der Winkel der beiden Surroundlautsprecher zum Front-Center jeweils 120 Grad betragen (Abb. 3). Bei 6.1-EX-Systemen sollten sich die Seitenlautsprecher nahezu in einer Linie mit den Zuhörern befinden. Ein Lautsprecher sollte an der Rückwand direkt in einer Linie mit dem Zentrum des Hörbereichs positioniert werden. Alternativ dazu könnten zwei Rear-Lautsprecher nebeneinander eingesetzt werden, und zwar jeweils links und rechts neben einem Balken in einer Wandkonstruktion aus Trockenbauplatten (Abb. 4). Bei 7.1-Systemen sollte der Abstand zwischen den Rear-Lautsprechern größer sein. Ein guter Richtwert ist hier ein Winkelbereich von 40 Grad zu den Zuhörern (Abb. 5).

## PRÜFEN SIE DEN INHALT

### Wandrahmen und Abdeckung

- Wandrahmen
- Metallabdeckung mit Stoffbesatz
- Acht Schrauben M5 x 30 mm (zur Befestigung vom Rahmen am PMK oder an der Einbaubox)

### Schallwand-Pack

- Schallwand mit Lautsprechersystemen und Frequenzweiche
- Acht Schrauben M6 x 25 mm (zur Befestigung der Schallwand am Rahmen)
- Bedienungsanleitung
- M6-Innensechskantschlüssel
- Vier Distanzstücke

### PMK-Pack

- PMK-Rahmen
- Sechs Schienen
- 12 x selbstschneidende Schrauben
- Schablone

### Einbaubox-Pack

- Einbaubox
- Schaumstoffkissen
- Kabeldurchführung
- Dichtungstreifen
- 22 x selbstschneidende Schrauben (zur Befestigung der Front an der Einbaubox)
- 16 x M6-Schrauben (zur Befestigung der Schienen an der Einbaubox)
- 16 x M6-Unterlegscheiben (zur Befestigung der Schienen an der Einbaubox)
- M6-Innensechskantschlüssel
- Frontplatte
- Vier Schienen
- Schutzgummi

## VORGEHENSWEISE BEIM EINBAU

### Bestehende Wandkonstruktion aus Trockenbauplatten ohne Einbaubox

#### Stufe 1 – Ausschneiden der Gipsbauplatte

Ein einfacher nachträglicher Einbau ist nur möglich, wenn Sie den Lautsprecher vertikal einbauen. Für einen horizontalen Einbau lesen Sie bitte die Hinweise für Neukonstruktionen.

Bevor Sie mit dem Ausschneiden beginnen, prüfen Sie, wo sich Balken, Leitungen und Rohr in der Wand befinden. Die Lautsprecher sollten nicht in dieselbe Wandöffnung eingebaut werden wie andere Installationen, da diese mitschwingen können. Der Mindestabstand zwischen etwaigen Querbalken muss 120 cm betragen, damit hinter dem Lautsprecher ein ausreichendes Arbeitsvolumen zur Verfügung steht.

Verwenden Sie die beiliegende Schablone und eine Wasserwaage. Markieren Sie die Öffnung für den Lautsprecher und schneiden Sie diese aus.

#### Stufe 2 – Vorbereiten der Öffnung (Abb. 6)

Ziehen Sie das Kabel durch den oberen Bereich der Öffnung und geben Sie 30 cm freies Kabel hinzu, um das Anschließen zu vereinfachen.

Füllen Sie die Öffnung mit Akustik-Dämmwolle, aber lassen Sie den Bereich direkt hinter der Öffnung frei. Matten aus Glasfaser und Mineralwolle, die zur Wärmeisolation eingesetzt werden, sind ebenfalls dazu geeignet. Stellen Sie jedoch sicher, dass sie den örtlichen Brandschutz- und Gebäudevorschriften entsprechen.

#### Stufe 3 – Anbringen des Wandrahmens

Legen Sie sich den PMK-Rahmen, den Wandrahmen (ohne Metallabdeckung) und mindestens 2 Schrauben vom Wandrahmenmodul zurecht.

Bei bestehenden Konstruktionen werden die zum PMK-Pack gehörenden Schienen und Schrauben nicht benötigt.

#### Achtung:

Seien Sie beim Umgang mit dem PMK-Rahmen vorsichtig, damit Sie sich nicht an den scharfen Kanten verletzen. Sie sollten vorsichtshalber Handschuhe tragen.

### Neue Wandkonstruktion aus Trockenbauplatten ohne Einbaubox

#### Stufe 1 – Anbringen des PMK

Stellen Sie sicher, dass die Wandkonstruktion optimal vorbereitet ist.

Bei vertikalem Einbau passt der PMK zwischen zwei nebeneinander liegende Balken mit einem Standard-Abstand von 40 cm. Der Lautsprecher benötigt ein Arbeitsvolumen von mindestens 40 Litern. Stellen Sie daher sicher, dass der Mindestabstand zwischen etwaigen Querbalken 120 cm beträgt (Abb. 9).

Beim horizontalen Einbau müssen zwei vertikale Balken durchtrennt werden. Daher müssen oberhalb und unterhalb des Lautsprechers Querbalken angebracht werden, um die Wand zu stützen. In der Vertikalen muss der Abstand zwischen den Querbalken 38 cm betragen, um ein ausreichendes Arbeitsvolumen für den Lautsprecher zur Verfügung zu stellen (Abb. 10).

Stellen Sie sicher, dass sich in der gesamten Öffnung keine weiteren Installationen befinden, da diese mitschwingen können.

Befestigen Sie die 6 Schienen mit den beiliegenden selbstschneidenden Schrauben vorne am PMK-Rahmen. Bei vertikalem Einbau nutzen Sie die 6 Befestigungspositionen an den langen Seiten (Abb. 9).

Bei horizontalem Einbau verwenden Sie die 4 Befestigungspositionen an den kurzen Seiten sowie die mittleren beiden Befestigungspositionen an den langen Seiten (Abb. 10).

Befestigen Sie die Schienen (durch Festschrauben oder Annageln) an den Wandbalken. Verwenden Sie eine Wasserwaage, um den Rahmen auszurichten.

Führen Sie das Lautsprecherkabel (einzeln oder für Bi-Wiring) zum nächstliegenden Ende des PKM-Rahmens, damit Sie das Kabel nicht hinter dem Lautsprecher entlang führen müssen. Befestigen Sie das Kabel, damit es nicht gegen die Balken oder Platten schwingt. Geben Sie 30 cm freies Kabel hinzu, um das Anschließen zu erleichtern.

### Neue Wandkonstruktion aus Trockenbauplatten mit Einbaubox

#### Stufe 1 – Anbringen der Einbaubox

Stellen Sie sicher, dass die Wandkonstruktion optimal vorbereitet ist, damit genügend Raum für die Einbaubox und deren Kabeldurchführung zur Verfügung steht. Die Lautsprecherschallwand kann entweder mittig oder an einem der beiden Enden der Einbaubox positioniert werden. Dadurch wird die Flexibilität bei der Platzierung der Einbaubox um die gewünschte Lautsprecherposition erhöht (Abb. 16).

Bei vertikalem Einbau passt die Einbaubox zwischen zwei nebeneinander liegende Balken mit einem Standard-Abstand von 40 cm (Abb. 13).

Beim horizontalen Einbau müssen drei vertikale Balken durchtrennt werden. Daher müssen oberhalb und unterhalb der Einbaubox Querbalken angebracht werden, um die Wand zu stützen (Abb. 14).

Befestigen Sie die 4 Schienen an der Einbaubox, wie es zur Fixierung an den Wandbalken erforderlich ist. Verwenden Sie pro Schiene 4 M6-Schrauben mit Unterlegscheiben. Werden die Schienen an einer kurzen Seite befestigt, überlappen sie, so dass zur Fixierung von 2 Schienen nur 6 Schrauben erforderlich sind. Ziehen Sie die Schrauben zu diesem Zeitpunkt noch nicht fest, damit die Schienen noch bewegt werden können (Abb. 13, 14 & 15).

Drücken Sie eine der runden Öffnungen für die Kabeldurchführung an der Einbaubox aus. Drücken Sie bei vertikalem Einbau die Öffnung auf der kurzen Seite am offenen Ende aus. Bei horizontalem Einbau wählen Sie eine Öffnung an einer langen Seite, möglichst nahe am offenen Ende.

Entfernen Sie die Mutter am kurzen Ende der Kabeldurchführung und führen Sie sie von außen ein, so dass das lange Ende aus der Einbaubox herauszeit. Bringen Sie die Mutter an der Innenseite der Einbaubox wieder an und ziehen Sie sie fest (Abb. 15).

Um die Ausrichtung zu erleichtern, bringen Sie die Front vorübergehend mit 2 selbstschnei-

### Neukonstruktion mit Einbaubox (feste Wand)

#### Stufe 1 – Installation der Einbaubox

Die Einbaubox wird genutzt, um das Arbeitsvolumen des Lautsprechers festzulegen. Sie sollte in ähnlicher Weise wie ein Fensterrahmen in das Mauerwerk integriert werden. Die beiliegenden Schienen, Maschinenschrauben und die Kabeldurchführung werden nicht benötigt. Achten Sie darauf, dass die Einbaubox nicht gegen die Wand schwingt. Sie ist daher so in ihrer Position zu befestigen, dass um sie herum ein sicherer Freiraum besteht. Möchten Sie die Einbaubox auf eine untere Schicht setzen, verwenden Sie lieber flexiblen Montage-Kleber als Zement oder Mörtel. Die Einbaubox ist nicht darauf ausgelegt, das Gewicht der darüber liegenden Wand zu tragen. Daher sollte ein passender Sturz verwendet werden (Abb. 18).

Bevor Sie die Einbaubox in die Wand einsetzen, drücken Sie eine der runden Kabelöffnungen an der Einbaubox aus. Setzen Sie das Schutzgummi ein, um einen Abrieb des Kabels zu vermeiden. Die Kabeldurchführung wird nicht benötigt. Handelt es sich um eine Innenwand einheitlicher Dicke, ist es wahrscheinlich am einfachsten, eine der Kabelöffnungen hinten zu nutzen und das Kabel an der Rückseite der Wand entlang zu führen (Abb. 19).

Um die Ausrichtung zu erleichtern, bringen Sie die Front vorübergehend mit 2 selbstschneidenden Schrauben in der gewünschten Weise an (Abb. 16).

Damit keine Reste in die Einbaubox gelangen, kleben Sie ein Stück PE oder Vergleichbares auf die Öffnung, bis die Mauerarbeiten abgeschlossen sind.

Nach Beendigung der Mauerarbeiten entfernen Sie die Front von der Einbaubox. Führen Sie das Kabel in die Einbaubox. Ziehen Sie es durch ein Ende der Öffnung und geben Sie 30 cm freies Kabel hinzu, um das Anschließen zu erleichtern.

Positionieren Sie das Schaumstoffkissen in der Einbaubox, so dass es die Öffnung freihält und schrauben Sie die Front in der gewünschten Position fest (in Abb. 16 ist die Position des

Führen Sie den PMK-Rahmen durch die Öffnung der Gipsbauplatte und bringen Sie ihn in Position (Abb. 7).

Greifen Sie mit einem Arm durch den Wandrahmen, halten Sie den PMK-Rahmen in seiner Position und befestigen Sie den Wandrahmen mit der anderen Hand. Drücken Sie die Teile an jeder Seite der Gipsbauplatte mit der Hand fest, setzen Sie 2 Schrauben ein und ziehen Sie diese handfest an (Abb. 8).

Setzen Sie die übrigen 6 Schrauben ein und richten Sie den Rahmen vor dem Anziehen der Schrauben optimal aus, bis der Wandrahmen und der PMK-Rahmen fest an der Gipsbauplatte sitzen.

### **Stufe 2 – Anbringen der Gipsbauplatte** (Abb. 11)

Befestigen Sie die Gipsbauplatte an der Wand und schneiden Sie eine Öffnung aus, die mit der Innenkante der PMK-Front abschließt.

Füllen Sie die Öffnung außerhalb des PMK-Bereichs mit Akustik-Dämmwolle, aber lassen Sie den Bereich direkt hinter der Öffnung frei. Matten aus Glasfaser und Mineralwolle, die zur Wärmeisolation eingesetzt werden, sind ebenfalls dazu geeignet. Stellen Sie jedoch sicher, dass sie den örtlichen Brandschutz- und Gebäudevorschriften entsprechen.

### **Stufe 3 – Anbringen des Wandrahmens** (Abb. 12)

Befestigen Sie den Wandrahmen, nachdem die letzte Schicht aufgebracht worden ist und bevor Sie mit den Malerarbeiten beginnen.

Entfernen Sie die Abdeckung vom Wandrahmen und befestigen Sie den Rahmen mit den 8 beiliegenden Schrauben am PMK.

enden Schrauben in der gewünschten Weise an (Abb. 16).

Richten Sie die Einbaubox aus und befestigen Sie die Schienen (durch Festschrauben oder Annageln) an den Wandbalken. Verwenden Sie hierzu eine Wasserwaage. Ziehen Sie alle Schrauben fest, die die Schienen an der Einbaubox halten (Abb. 13 & 14).

Entfernen Sie die Front und führen Sie das Lautsprecherkabel (einzeln oder für Bi-Wiring) durch die Kabeldurchführung. Lassen Sie das Kabel durch die hölzernen Stützbalken laufen und verwenden Sie so viel Kabel, dass Sie damit das nächstliegende Ende der Öffnung an der Front erreichen und geben Sie 30 cm freies Kabel hinzu, um das Anschließen zu erleichtern. Sichern Sie das Kabel, so dass es nicht gegen die Balken oder Platten stoßen kann. Ziehen Sie die Kabeldurchführung um das Kabel herum fest.

Positionieren Sie das Schaumstoffkissen in der Einbaubox, so dass die Öffnung freihält und schrauben Sie die Front in der gewünschten Position fest (in Abb. 16 ist die Position des Schaumstoffkissens grau dargestellt). Schrauben Sie die Einbaubox mit 16 selbstschneidenden Schrauben rund um die äußere Kante fest. Sichern Sie die tiefer gelegene lange Seite der Öffnung zusätzlich mit 4 und die kurze Seite der Öffnung mit 2 weiteren Schrauben.

Kleben Sie den beiliegenden Dichtungstreifen um die Kante der Öffnung, um diese gegenüber der Gipsbauplatte zu versiegeln (Abb. 17).

### **Stufe 2 – Anbringen der Gipsbauplatte**

Befestigen Sie die Gipsbauplatte an der Wand und schneiden Sie eine Öffnung aus, die mit der Öffnungslippe in der Einbaubox abschließt (Abb. 11).

Entfernen Sie Reste im Innern der Einbaubox mit einem Staubsauger.

### **Stufe 3 – Anbringen des Wandrahmens** (Abb. 12)

Befestigen Sie den Wandrahmen, nachdem die letzte Schicht aufgebracht worden ist und bevor Sie mit den Malerarbeiten beginnen.

Entfernen Sie die Abdeckung vom Wandrahmen und befestigen Sie den Rahmen mit den 8 beiliegenden Schrauben an der Einbaubox.

Schaumstoffkissens grau dargestellt). Schrauben Sie die Einbaubox mit 16 selbstschneidenden Schrauben rund um die äußere Kante fest. Sichern Sie die tiefer gelegene lange Seite der Öffnung zusätzlich mit 4 und die kurze Seite der Öffnung mit 2 weiteren Schrauben.

Kleben Sie den beiliegenden Dichtungstreifen zum Versiegeln um die Kante der Öffnung (Abb. 17).

### **Stufe 2 – Fertigstellen der Wand**

Selbst wenn Sie die Wand, wie allgemein üblich, verputzen, empfehlen wir, die Oberflächen der Einbaubox (vorne und hinten) mit einer Gipsbauplatte zu bedecken. Verwenden Sie dazu Montage-Kleber. An der Frontseite sollte ein Loch ausgeschnitten werden, das mit der Öffnungslippe in der Einbaubox abschließt. Lassen Sie an der Rückseite gegebenenfalls Platz für das Kabel. Gibt es keine andere Möglichkeit als feucht zu verputzen, bringen Sie zunächst eine Schicht passenden Klebstoff auf die Einbaubox auf.

Entfernen Sie Reste in der Einbaubox mit einem Staubsauger.

### **Stufe 3 – Anbringen des Wandrahmens** (Abb. 12)

Befestigen Sie den Wandrahmen, nachdem die letzte Schicht aufgebracht worden ist und bevor Sie mit den Malerarbeiten beginnen.

Entfernen Sie die Abdeckung vom Wandrahmen und befestigen Sie den Rahmen mit den 8 beiliegenden Schrauben an der Einbaubox.

## Alle Anwendungen

### Stufe 4 – Farbliche Abstimmung

Um das Lackieren vorzubereiten, rauhen Sie den Wandrahmen mit Schmirgelleinen auf. Entfernen Sie den Stoff von der Abdeckung.

Der Rahmen und die Abdeckung können mit Farben auf Wasser- oder Ölbasis sowie Emaillelack lackiert werden. Die Farbe kann mit einer Bürste oder einer Rolle aufgetragen oder aufgesprüht werden. Beim Aufsprühen ist die Gefahr am geringsten, dass sich die Löcher zusetzen.

Auf jeden Fall muss der Stoff von der Abdeckung entfernt werden, bevor Sie die Farbe auftragen. Ansonsten setzt sich das Gewebe zu, was zu einer Beeinträchtigung der Klangqualität führt.

### Stufe 5 – Anbringen von Schallwand und Abdeckung

Die Schallwandeneinheit wird mit einem Stahlstab zur Verbindung der Magnete von Tief- und Mitteltöner geliefert. Dieser Stab dient während des Transports zum Schutz und muss vor dem Anbringen der Schallwand entfernt werden. Lösen Sie dazu einfach die Zentralschraube in der Mitteltoneneinheit. Wir empfehlen Ihnen, den Stab, Distanzstück und Schraube für einen eventuellen späteren Transport aufzubewahren.

Richten Sie die Schallwand so aus, dass die Anschlussklemmen in der Nähe des Kabels liegen. Stellen Sie vor dem Anbringen sicher, dass die drehbar gelagerte Schallwand korrekt ausgerichtet ist. Hoch- und Mitteltöner sollten (mit dem Mitteltöner näher an der Ohrhöhe) übereinander sitzen (Abb. 1). Setzen Sie die

4 Distanzstücke in die unteren Ecken des Wandrahmens, um für eine korrekte vertikale und horizontale Ausrichtung zu sorgen. Befestigen Sie die untere Kante der Schallwand im Wandrahmen und lehnen Sie die Oberseite während des Anschließens heraus. Prüfen Sie, ob das Kabel oben an der Wicklung gekappt ist, wenn Sie Bi-Wiring wünschen. Ist die Wicklung nicht gekappt, so wird der Anschluss über ein Kabel hergestellt. Drücken Sie die Schallwand anschließend vollständig in ihre Position und befestigen Sie sie mit den beiliegenden Schrauben. Entfernen Sie die Distanzstücke (Abb. 20).

Befestigen Sie den Stoff wieder an der Abdeckung. Streifen Sie ihn glatt und stellen Sie sicher, dass er keine Blasen wirft. Ist dies nicht möglich, entfernen Sie den Stoff und besprühen

die Rückseite der Metallabdeckung (nicht den Stoff) mit einem geeigneten Kleber (z.B. 3M-Sprühkleber).

## UNTERLAGEN

Nach Beendigung der Einbauarbeiten füllen Sie den für den Händler bestimmten Abschnitt der Bedienungsanleitung/Warranty-Booklet aus (liegt dem Schallwand-Pack bei) und geben die Unterlagen anschließend dem Kunden.

# Español

## INTRODUCCIÓN

### Descripción

La Signature 8NT es un sistema de altavoces embotable de tres vías capaz de proporcionar unas prestaciones de nivel auténticamente audiófilo.

El conjunto se divide en 4 módulos separados:

1. Montura o marco de sujeción y rejilla protectora
2. Panel frontal (baffle) con altavoces y filtro divisor de frecuencias
3. PMK (Kit de Pre/post-Montaje)
4. Caja posterior

El embalaje por separado de cada módulo permite almacenar los componentes del conjunto en un lugar seguro hasta el momento de su instalación. Los dos primeros módulos son necesarios para todas las instalaciones y por tanto se suministran conjuntamente en una caja separada. Más adelante se explica –en esta misma sección– cómo decidir si usted va a necesitar o bien el PMK o bien la caja posterior

dispositivos. Es posible que algunos televisores particularmente sensibles requieran incluso una separación mayor.

La Signature 8NT puede instalarse en posición vertical u horizontal tanto en un muro de pladur como en una pared sólida. Con paredes ya existentes, la caja puede colocarse fácilmente en la orientación vertical. Sin embargo, la orientación horizontal exigirá cortar algunos refuerzos verticales de la pared, un trabajo laborioso y que por tanto hace recomendable el uso de dicha orientación más en construcciones nuevas que en montajes estándar en paredes ya hechas.

### Montura de pared y rejilla

La montura de pared o marco de sujeción se instala después del enyesado final aunque antes de la decoración. Si se desea, la montura de pared y la rejilla pueden ser pintadas antes de colocar el panel frontal y los altavoces.

### El panel frontal o baffle

El panel frontal contiene todas las partes operativas del sistema. Si se ha separado previamente de la montura de sujeción resultará más fácil ajustarlo a la misma y a la vez impedirá que se produzcan posibles daños a los altavoces durante el proceso de decoración.

términos generales pero, como sucede en muchas instalaciones personalizadas, las condiciones específicas de montaje pueden requerir alguna adaptación adicional. En particular, es posible que la posición de los refuerzos internos de una pared de pladur exija modificar la posición recomendada de la caja acústica.

La Signature 8NT puede ser instalada en orientación horizontal o vertical, siendo la primera de ellas utilizada normalmente para reproducir el canal central de sistemas audiovisuales y poder colocar la caja encima o debajo de la pantalla de visualización.

Con el fin de mantener una óptima dispersión horizontal en toda la región situada encima de la frecuencia de corte superior y cubrir un amplio abanico de oyentes, la parte central del panel frontal que contiene los altavoces de medios y agudos debería girarse 90° para que los mismos estuviesen situados uno encima de otro.

El eje en el que se suman las ondas emitidas por los altavoces de medios y agudos está deliberadamente inclinado 5° hacia el del altavoz de medios ya que ello proporciona, en conjunción con la capacidad para girar la parte

que las cajas acústicas estén más cerca entre sí para evitar el efecto de "agujero en el centro". (Figura 2)

Idealmente, la altura de las cajas acústicas debería ser aquella en la que el centro de su panel frontal está situado dentro de un ángulo de 10° con respecto a la altura del oído.

### Posición frontal izquierda/derecha en audio multicanal

En este caso el ángulo entre las cajas acústicas y el oyente suele ser más pequeño que en audio estereofónico. Por regla general, esto implica que las cajas acústicas estén a un máximo de 0'5 metros de los lados de la pantalla de visualización.

La altura debería elegirse de tal modo que el centro del panel frontal esté lo más cerca posible del centro de la pantalla de visualización manteniéndose a la vez dentro de un ángulo de 10° con respecto a la altura del oído.

### Posición frontal central en audio multicanal

Si utiliza una pantalla de proyección acústicamente transparente, coloque la caja acústica lo más cerca posible del centro de la

para su caso concreto. Necesitará uno de los dos pero no ambos.

En caso de que así lo desee, la caja acústica puede ser bicableada o biamplificada. Cuando la reciba, los dos pares de terminales de conexión de entrada estarán punteados para conexión simple (monocableado) por dos cables situados en la placa que alberga el filtro divisor de frecuencias. Para bicablear o biamplificar, corte dichos cables por la parte superior del lazo. Esto le permitirá disponer de una longitud de reserva suficiente para el caso de que más adelante desee volverlos a conectar.

No se ponga manos a la obra hasta que no haya leído por completo esta guía.

Para obtener los mejores resultados posibles de la Signature 8NT es importante que la instale de la manera adecuada. Por lo tanto, le sugerimos que se familiarice con las presentes instrucciones antes de ponerse a trabajar. En caso de que no entienda algún paso, el importador/distribuidor autorizado de B&W en su país podrá aconsejarle y ayudarle al respecto.

### Opciones de instalación

#### Advertencia:

Los altavoces de la Signature 8NT generan campos magnéticos parásitos que pueden afectar a televisores convencionales basados en tubos de rayos catódicos. Mantenga la caja a un mínimo de 50 centímetros de distancia de dichos

#### La caja posterior

En una construcción de pladur ya hecha, la caja posterior proporciona un aislamiento sonoro extra entre salas adyacentes y una barrera de seguridad contra la propagación del fuego entre la cavidad de la pared y la sala. Si está trabajando con paredes sólidas, la caja posterior proporciona un volumen de trabajo definido que se extiende más allá del área inmediata de la caja acústica propiamente dicha. Cualquier volumen más pequeño provocará restricciones en la respuesta en graves del sistema. Para disponer de una mayor flexibilidad de instalación, por ejemplo para mantenerla separada de otros objetos presentes en la pared, la caja acústica puede ubicarse tanto en el centro de la caja posterior como en uno de sus extremos (Figura 16).

#### El PMK

El PMK se utiliza en paredes de pladur –sean o no de nueva construcción– en las que no sea necesaria la caja posterior.

## PLANIFICACIÓN DE LA POSICIÓN DE LA CAJA ACÚSTICA

### Repaso

Considere cuidadosamente el lugar de la sala en el que van a ir instaladas las cajas acústicas en función de la aplicación que les vaya a dar. Las recomendaciones que siguen son válidas en

central del panel frontal, una mayor libertad de acción cuando se ha planificado colocar las cajas acústicas en posición vertical. Si la caja va a ser montada con su centro ubicado por encima de la altura del oído, gire el sub-baffle de tal modo que el tweeter se sitúe por encima del altavoz de medios. Si, por el contrario, se va a montar la caja por debajo de la altura del oído, sitúe el tweeter debajo del altavoz de medios. Para obtener los mejores resultados posibles, intente mantener el centro de la caja dentro de un ángulo de 10° por encima de la altura del oído. Por encima de dicho valor se originará una caída del nivel de presión sonora en el punto de corte que hará que el sonido parezca más retrasado. Considere 15° como el ángulo máximo al respecto. (Figura 1)

En orientación horizontal, por lo general la caja acústica se cruzará con refuerzos de la pared de pladur dispuestos vertical y horizontalmente y separados entre sí a distancias estandarizadas, por lo que es posible que sea necesario construir refuerzos especiales para disponer del espacio libre necesario requerido en el caso de que no se utilice la caja posterior.

### Audio de 2 canales

Procure que las cajas acústicas y el oyente frontal coincidan aproximadamente con los vértices de un triángulo equilátero. La distancia de escucha determinará seguidamente la separación entre cajas. En caso de que tenga restricciones de espacio, sitúese en la zona en

misma manteniéndose a la vez dentro de un ángulo de 10° con respecto a la altura del oído. Utilice la orientación vertical.

En todos los demás casos, orienta la caja acústica horizontalmente y colóquela inmediatamente encima o debajo de la pantalla de visualización.

### Sonido envolvente multicanal

Coloque las cajas acústicas con el centro del panel frontal a unos 60 centímetros por encima de la altura del oído para obtener un sonido más difuso que el de las cajas frontales. Para sistemas de 5.1 canales, las dos cajas acústicas de efectos deben colocarse aproximadamente en un ángulo de 120° con respecto a la línea de la caja frontal central. (Figura 3) Para sistemas de 6.1 canales (EX), las dos cajas acústicas laterales deberían estar más adelantadas que en el caso anterior, prácticamente alineándose con los oyentes. Debería colocarse una caja en la pared posterior en línea recta con el centro del área de escucha. Alternativamente, pueden utilizarse dos cajas acústicas enfrentadas entre sí situadas en las dos caras de un refuerzo interno de una construcción de pladur. (Figura 4) Para sistemas de 7.1 canales, las dos cajas traseras deberían separarse un poco más. A modo de guía, sería bueno tenerlas dispersadas en un ángulo de 40° con respecto a los oyentes. (Figura 5)

## VERIFIQUE EL CONTENIDO

### Embalaje con la montura de pared y la rejilla protectora

- Montura de pared
- Rejilla metálica con cinta protectora
- 8 tornillos M5 de 30 mm (montura a PMK o caja posterior)

### Embalaje con los elementos del panel frontal

- Panel frontal con los altavoces y el filtro divisor de frecuencias
- 8 tornillos M6 de 25 mm (panel frontal a montura)
- Manual de Instrucciones
- Llave Allen M6
- 4 separadores

### Embalaje con el PMK

- Montura PMK
- 6 abrazaderas
- 12 tornillos autoenroscables
- Plantilla para corte

### Embalaje con la caja posterior

- Caja posterior
- Bloque de lana fonoabsorbente
- Casquillo de entrada del cable
- 2 metros de cinta autoadhesiva de espuma
- 22 tornillos autoenroscables (panel frontal a caja posterior)
- 16 tornillos M6 (abrazaderas a caja posterior)
- 16 arandelas M6 (abrazaderas a caja posterior)
- Llave Allen M6
- Panel frontal
- 4 abrazaderas
- Ojal de goma

## PROCEDIMIENTOS DE INSTALACIÓN

### Pared de pladur ya existente sin caja posterior

#### Paso 1 – Corte de la placa de pladur

El montaje en una pared de pladur ya construida sólo es posible en orientación vertical. Para una orientación horizontal, siga las instrucciones correspondientes a una construcción nueva.

Utilice una herramienta adecuada para detectar la posición de los refuerzos de la estructura de la pared. Elija preferiblemente una cavidad en la que no haya conductos correspondientes a otros servicios para evitar posibles vibraciones. Debería haber un mínimo de 120 centímetros de distancia entre los refuerzos de la pared para permitir la existencia de un volumen de trabajo suficiente detrás de la caja acústica.

Utilice la plantilla suministrada y un nivelador, marque y corte el agujero para montar la caja acústica.

**Paso 2 – Preparación de la cavidad** (Figura 6) Estire el cable a través de la parte superior de la apertura y deje unos 30 centímetros adicionales del mismo para facilitar la conexión.

Inserte un material fonoabsorbente adecuado en la cavidad pero dejando libre el área situada inmediatamente detrás de la apertura. Tanto la fibra de vidrio o mineral utilizada para el aislamiento térmico como la espuma de estructura abierta son adecuadas para este propósito aunque antes de tomar una decisión debería asegurarse de que el material elegido satisfaga la normativa local vigente en materia de construcción y protección frente a incendios.

#### Paso 3 – Colocación de la montura de pared

Tenga a mano la montura PMK, la montura de la pared (habiendo retirado la rejilla metálica) y al menos dos tornillos del módulo correspondiente a esta última.

Para montajes en paredes ya existentes no se necesitan las abrazaderas ni los tornillos suministrados junto con el PMK.

### Construcción de pladur nueva sin caja posterior

#### Paso 1 – Colocación del PMK

Asegúrese de que la estructura de la pared esté adecuadamente reforzada.

En orientación vertical, el PMK se coloca entre dos refuerzos adyacentes separados a la distancia estándar de 40 centímetros. La caja acústica necesita un volumen mínimo de 40 litros para funcionar correctamente, por lo que debe asegurarse de que en la cavidad exista una altura mínima de 120 centímetros que no esté obstruida por refuerzos internos. (Figura 9)

En orientación horizontal, es necesario cortar dos refuerzos verticales, además de fijar otros dos cruzados encima y debajo de la caja acústica para soportar la pared. Se necesita un mínimo de 38 centímetros de distancia vertical entre los refuerzos cruzados para que la caja acústica disponga del volumen de trabajo adecuado. (Figura 10)

Mantenga la totalidad de la cavidad despejada de conductos o instalaciones correspondientes a otros servicios susceptibles de provocar vibraciones.

Fije las seis (6) abrazaderas a la parte frontal de la montura PMK utilizando los tornillos autoenroscables suministrados con la Signature 8NT. En orientación vertical, utilice las seis (6) posiciones de anclaje dispuestas en la zona inferior de los lados de mayor longitud. (Figura 9)

En orientación vertical, utilice las cuatro (4) posiciones de anclaje dispuestas a lo largo de los lados de menor longitud y las dos (2) que hay en la parte central de las de mayor longitud. (Figura 10)

Fije o clave las abrazaderas a los refuerzos internos de la pared utilizando un nivel para asegurarse de que la montura esté perfectamente encuadrada.

Coloque el cable de conexión (simple o doble) al extremo más cercano de la montura PMK para evitar tener que pasarlo por detrás de la caja acústica. Asegúrelo para que no pueda vibrar contra los refuerzos internos o la pared de

### Pared de pladur nueva con caja posterior

#### Paso 1 – Colocación de la caja posterior

Asegúrese de que los refuerzos internos hayan sido debidamente preparados para que se disponga de espacio suficiente para colocar la caja posterior y el casquillo para el cable de conexión incorporado en la misma. El panel frontal de la Signature 8NT puede colocarse bien en el centro, bien en uno de los extremos de la caja posterior, ofreciendo de este modo una mayor flexibilidad a la hora de colocar esta última en la posición deseada. (Figura 16)

En orientación vertical, la caja posterior se coloca entre dos refuerzos adyacentes separados a la distancia estándar de 40 centímetros. (Figura 13)

En orientación horizontal, es necesario cortar tres (3) refuerzos verticales, además de cruzar otros encima y debajo de la caja acústica para soportar la pared. (Figura 14)

Coloque adecuadamente las cuatro (4) abrazaderas a la caja posterior para la fijación a los refuerzos internos de la pared. Utilice cuatro (4) tornillos y arandelas M6 por abrazadera. Si las abrazaderas están fijadas a un lado corto, bastará con seis (6) tornillos para fijar dos (2) de ellas. No fije por completo los tornillos en esta etapa para permitir que las abrazaderas puedan deslizarse. (Figuras 13, 14 y 15)

Haga saltar el disco de la caja posterior que oculta la entrada circular para el cable de conexión y coloque el casquillo de entrada del cable. Si utiliza la orientación vertical, haga saltar el disco situado en el extremo abierto del lado corto. Si utiliza la orientación horizontal, haga saltar uno de los discos situados en uno de los lados largos, preferiblemente el que esté más cerca del extremo abierto.

Retire la tuerca que hay en el extremo corto del casquillo de entrada e inserte el cable desde fuera de tal modo que el extremo largo del mismo salga de la caja posterior. Vuelva a colocar la tuerca y fijela en el interior de la caja posterior. (Figura 15)

Para ayudar a conseguir un buen alineamiento, coloque temporalmente el panel frontal de la

### Pared sólida nueva con caja posterior

#### Paso 1 – Construcción de la caja posterior

La caja posterior se utiliza para definir el volumen de trabajo de la caja acústica y debería ser construida en el ladrillo u obra del mismo modo que el marco de una ventana. En este caso no serán necesarios ni las abrazaderas, ni los tornillos de sujeción ni el casquillo de entrada del cable suministrados con la Signature 8NT. Hay que cuidar asimismo que la caja posterior no vibre contra la pared, aunque debería colocarse de manera que haya un espacio libre suficiente a su alrededor. Si se desea ubicar la caja posterior sobre la línea de ladrillos inferior, utilice una masilla flexible en vez de cemento o mortero. La caja posterior no está diseñada para soportar el peso de la pared, por lo que en este caso debería utilizarse un marco (dintel) adecuado. (Figura 18)

Antes de colocar la caja posterior en la pared, haga saltar uno de los discos circulares para la entrada del cable que hay en la caja posterior y coloque el ojal de goma para no punzar el cable. El casquillo de entrada del cable no será necesario. Si la pared es interior y de grosor simple (es decir un tabique), será probablemente más fácil utilizar una de las entradas para cable situadas en la cara posterior y hacer pasar el cable por la cara opuesta de la pared. (Figura 19)

Para un mejor alineamiento, coloque temporalmente el panel frontal de la Signature 8 en la caja posterior utilizando dos (2) de los tornillos suministrados de serie para tal efecto. (Figura 16)

Para evitar que penetren desperdicios en la caja posterior, ponga una tira de cinta aislante o algo similar en la apertura hasta que toda la obra de albañilería haya sido completada.

Cuando la pared esté completamente construida, retire el panel frontal de la Signature 8NT de la caja posterior. Haga pasar el cable por la caja posterior. Cójalo desde la apertura y a continuación deje 30 centímetros adicionales para facilitar la conexión.



**Advertencia:**

Cuando manipule la montura PMK, tenga cuidado con los bordes de las tuercas deslizantes. Le recomendamos que utilice unos guantes.

Coloque la montura PMK en la apertura de la pared de pladur y sitúela en posición. (Figura 7)

Con un brazo pasando a través de la montura de pared, mantenga el PMK en su sitio y enfrentelo a la montura de pared con el otro.

Sujetando los dos lados de la pared de pladur con una mano, inserte y fije manualmente los dos (2) tornillos para que las dos partes se mantengan unidas. (Figura 8)

Coloque los seis (6) tornillos restantes y equilibre la montura antes de sujetarlos firmemente hasta que la montura de pared y la del PMK estén sólidamente fijadas.

pladur. Deje unos 30 centímetros de cable suelto adicionales para facilitar la conexión.

**Paso 2 – Colocación de la placa de pladur** (Figura 11)

Fije la placa de pladur a la pared y corte una apertura alineada con el contorno interior de la cara frontal del PMK.

Rellene la cavidad externa al área ocupada por el PMK con material fonoabsorbente adecuado. Tanto la fibra de vidrio o mineral utilizada para el aislamiento térmico como la espuma de estructura abierta son adecuadas para este propósito aunque antes de tomar una decisión debería asegurarse de que el material elegido satisfaga la normativa local vigente en materia de construcción y protección frente a incendios.

**Paso 3 – Colocación de la montura de pared** (Figura 12)

Coloque la montura de pared después de aplicar la capa fina de yeso final aunque antes de decorar el conjunto.

Quite la rejilla protectora de la montura de pared y fije la montura al PMK utilizando los ocho (8) tornillos suministrados para tal efecto.

Signature 8 en la caja posterior utilizando dos (2) de los tornillos autoenroscables suministrados de serie para tal efecto. (Figura 16)

Alinee la caja posterior y fije o clave las abrazaderas a los refuerzos internos de la pared. Utilice un nivelador para asegurarse de que la montura esté debidamente alineada y fije firmemente todos los tornillos que unen las abrazaderas a la caja posterior. (Figuras 13 y 14)

Retire el panel frontal y coloque el cable de conexión a cajas acústicas (simple o doble) a través del casquillo de entrada dispuesto para tal efecto. Dirija el cable a través de los refuerzos internos de madera y estire la longitud suficiente del mismo para llegar al extremo más cercano de la apertura del panel frontal más otros 30 centímetros para facilitar la conexión. Asegure el cable para que no pueda vibrar y golpear los refuerzos internos o el pladur. Fije firmemente el casquillo de entrada del cable alrededor de éste.

Coloque el bloque de lana fonoabsorbente en la caja posterior de tal modo que la apertura quede despejada y fije firmemente y en la orientación deseada el panel frontal de la Signature 8NT. (Figura 16 con la posición de la lana fonoabsorbente en color gris)

Utilice 16 tornillos en el contorno exterior, 4 en los lados largos rebajados de la apertura y 2 cerca de uno de los lados cortos de esta última.

Coloque la cinta de espuma autoadhesiva alrededor del contorno de la apertura para que selle la placa externa de la pared. (Figura 17)

**Paso 2 – Colocación de la placa de pladur**

Fije la placa de pladur a la pared y corte una apertura alineada con el labio de la apertura de la caja posterior. (Figura 11)

Retire los desperdicios del interior de la caja posterior con una aspiradora.

**Paso 3 – Colocación de la montura de pared** (Figura 12)

Coloque la montura de pared después de aplicar la capa fina de yeso final aunque antes de proceder a la decoración del conjunto.

Quite la rejilla protectora de la montura de pared y fije la montura a la caja posterior utilizando los ocho (8) tornillos suministrados para tal efecto.

Coloque el bloque de lana fonoabsorbente en la caja posterior de tal modo que la apertura quede despejada y fije firmemente y en la orientación deseada el panel frontal de la Signature 8NT. (Figura 16 con la posición de la lana fonoabsorbente en color gris)

Utilice 16 tornillos autoenroscables en el contorno exterior, 4 en los lados largos rebajados de la apertura y 2 cerca de uno de los lados cortos de esta última.

Coloque la cinta de espuma autoadhesiva alrededor del contorno de la apertura para que selle la placa externa de la pared. (Figura 17)

**Paso 2 – Terminación de la pared**

Incluso en el caso de que revista de yeso la pared a la manera tradicional, le recomendamos que, por las razones antes apuntadas relativas a las vibraciones, recubra las superficies (frontal y posterior) de la caja posterior con una capa fina de pladur pegada con masilla. En la cara frontal debería cortarse un agujero en el pladur nivelado con el labio de la apertura de la caja posterior. En la parte posterior, deje espacio para el cable en caso de que lo considere necesario. Si no se puede mojar el pladur, aplique previamente una capa de adhesivo a la caja posterior.

Retire los desperdicios del interior de la caja posterior con una aspiradora.

**Paso 3 – Colocación de la montura de pared** (Figura 12)

Coloque la montura de pared después de aplicar la capa fina de yeso final aunque antes de proceder a la decoración del conjunto.

Quite la rejilla protectora de la montura de pared y fije la montura a la caja posterior utilizando los ocho (8) tornillos suministrados para tal efecto.

## Para todas las aplicaciones

### Paso 4 – Decoración

Previamente al proceso de pintura, rasque ligeramente el reborde de la pared con una tela esmerilada para disponer de una cuña y retire la fina tira protectora de la parte posterior de la malla de la rejilla.

La montura y la rejilla pueden pintarse utilizando pintura con base de agua normal, esmalte o aceite aplicada tanto con una brocha como con un rodillo o un aerosol. En el caso de la rejilla lo mejor es pintar con aerosol ya que de este modo es menos probable que se obstruyan los orificios de la misma.

No pinte la rejilla sin haber retirado previamente la tira protectora ya que en caso contrario se podrían cerrar los poros de aquélla y afectar a la calidad sonora.

### Paso 5 – Colocación del panel frontal y la rejilla protectora

El panel frontal se suministra con una barra de acero que une los imanes de los altavoces de graves y medios. Esta barra sirve para proteger al conjunto frente a posibles impactos durante el transporte del mismo y debe ser retirada antes de colocar el panel frontal quitando el tornillo central del altavoz de medios. Le sugerimos que guarde en su poder tanto la barra como el separador y el tornillo para el caso de que el panel frontal tuviera que volver a ser transportado en el futuro.

Orienta el panel frontal de manera que los terminales de conexión estén cerca del cable. Antes de colocarlo definitivamente, asegúrese de que el sub-baffle central esté dispuesto correctamente. El tweeter y el altavoz de medios deberían estar uno encima del otro, con el

segundo de ellos situado más cerca de la altura del oído. (Figura 1)

Coloque los cuatro (4) separadores en las esquinas inferiores de la montura de pared para lograr el correcto alineamiento vertical y horizontal. Aloje el contorno inferior del panel frontal en la montura de pared e incline el superior mientras realiza las conexiones. Compruebe que los puentes de cable sean cortados si va a conectar la caja en bicableado o que permanecen en su lugar si opta por una conexión convencional en monocableado. A continuación coloque la totalidad del panel frontal en su posición definitiva y asegúrelo con los tornillos suministrados para tal efecto. Quite los separadores. (Figura 20)

Vuelva a colocar la cinta protectora de la rejilla y elimine todas las burbujas de aire antes de colocar la rejilla en su lugar. Si la cinta protectora

no se ajusta limpiamente en la rejilla, rocíe la parte posterior de la malla metálica (no la cinta protectora) con un adhesivo adecuado, como por ejemplo el Spraymount de 3M.

## PARA FINALIZAR

Para completar el trabajo, rellene los detalles referentes al establecimiento especializado (detallista) que figuran en el cuadernillo correspondiente al Manual de Instrucciones/ Garantía que hay en el embalaje del panel frontal y entrégueselo a su cliente.

# Italiano

## INTRODUZIONE

### Descrizione

Il Signature 8NT è un diffusore a 3 vie da muro in grado di dare una vera performance audiofila. Il design complessivo è diviso in 4 moduli separati:

1. Telaio da muro e griglia
2. Pannello con unità altoparlanti e crossover
3. PMK (Kit pre/post montaggio)
4. Scatola posteriore

L'imballaggio separato d'ogni modulo permette alle parti di essere conservate in sicurezza prima di utilizzarli. I primi due moduli sono richiesti per tutte le installazioni e pertanto sono consegnate insieme in un unico cartone. Vedi in seguito nella presente sezione per scoprire se avete bisogno del PMK o della scatola posteriore per la vostra applicazione specifica. Avrete bisogno di uno dei due, ma non di entrambi.

Il Signature 8NT è adatto all'installazione sul muro a secco o a costruzione solida, sia in orientamento verticale sia in orizzontale. Per l'installazione a muro secco, il diffusore può essere predisposto per l'orientamento verticale. Tuttavia, l'orientamento orizzontale richiede il taglio delle traversine del muro, un lavoro alquanto importante, più analogo alle nuove costruzioni della normale modifica.

#### Il telaio da muro e griglia

Il telaio da muro viene installato dopo l'intonacatura finale, ma prima della decorazione. Il telo della griglia e il telaio possono essere tinti secondo le preferenze prima di installare il pannello altoparlanti.

#### Il pannello altoparlanti

Il pannello altoparlanti contiene tutte le parti funzionali del sistema. Tenerlo separato dal telaio rende più facile l'installazione del telaio ed evita possibili danni agli altoparlanti durante la decorazione.

#### La scatola posteriore

Nelle costruzioni di muro a secco, la scatola posteriore fornisce un ulteriore isolamento sonoro

adattamenti. In particolare, la posizione delle traversine nelle costruzioni di muro a secco necessitano una regolazione della posizione raccomandata dei diffusori.

Il diffusore può essere installato sia orizzontalmente che verticalmente, l'ultimo orientamento usato normalmente per le applicazioni del canale centrale in modo da permettere il posizionamento sopra o sotto lo schermo.

Per mantenere un'ottima dispersione orizzontale attraverso la regione superiore del crossover e per coprire il maggior numero d'altoparlanti, la parte centrale del pannello contenente il tweeter mediobassi deve essere ruotato di 90° in modo che gli altoparlanti si trovino uno sopra l'altro.

La somma delle assi del mediobassi e tweeter, è spostata deliberatamente di 5° verso l'altoparlante mediobassi e questo, insieme all'abilità di ruotare la sezione centrale del pannello, permette una più gran libertà quando si pianifica il posizionamento verticale dei diffusori. Se il diffusore deve essere montato con il centrale sopra l'altezza dell'orecchio, girate la

### Multi-canali anteriore destro/sinistra

L'angolo tra i diffusori rispetto all'ascoltatore è normalmente più ridotto che per l'audio a 2 canali. Ciò significa che i diffusori si trovano entro 0.5m (20in) ai lati dello schermo.

L'altezza deve essere stabilita in modo che il centro del pannello si trovi più vicino possibile all'altezza del centro dello schermo, mantenendo 10° dall'altezza dell'orecchio.

### Centrale anteriore multi-canali

Usando uno schermo di proiezione acusticamente trasparente, posizionare i diffusori più vicini possibile al centro dello schermo, mantenendo 10° dall'altezza dell'orecchi. Usare l'orientamento verticale.

In tutti gli altri casi, orientate il diffusore orizzontalmente e collocatelo subito sopra o sotto lo schermo.

### Surround multi-canali

Posizionate i diffusori con il centro del pannello a circa 60cm (2ft) sopra l'altezza dell'orecchio per

I diffusori possono essere bi-wired o bi amplificati se desiderato. Alla consegna, le due coppie di terminali in ingressi sono collegati insieme da due fili di collegamento ad anello sulla scheda crossover. Per il bi-wire o la bi amplificazione, tagliare questi fili di collegamento nella parte superiore dell'anello. Ciò assicura la lunghezza necessaria per una futura riconnessione, se desiderato.

Non iniziate il lavoro prima di aver letto attentamente questa guida.

Per ottenere il massimo dai diffusori, è molto importante che siano installati in una maniera corretta. Vi consigliamo di familiarizzare completamente con queste istruzioni prima di iniziare i lavori. Se esiste qualche punto che non capite, troverete l'aiuto ed i consigli necessari dal distributore/importatore B&W nel vostro paese.

### Opzioni d'installazione

#### Avvertenza;

Le unità altoparlante del diffusore creano campi magnetici accidentali, che potrebbero influire sulle televisioni a tubo catodico convenzionale. Mantenete una distanza di almeno 50cm (20 in) tra il diffusore ed i dispositivi di questo tipo. Alcune televisioni particolarmente sensibili potrebbero avere bisogno di una distanza maggiore dai diffusori.

tra le stanze adiacenti ed una barriera di sicurezza contro l'espansione del fuoco tra la cavità del muro e la stanza. Se state lavorando su muri solidi, la scatola posteriore offre un volume di funzionamento definito che si estende oltre l'area nell'immediata vicinanza del diffusore stesso. Con un volume ridotto, il diffusore avrà una performance dei bassi limitata. Per un'ulteriore flessibilità nell'installazione, per esempio tenere lontano altri oggetti sul muro, il diffusore potrebbe essere collocato sia al centro della scatola posteriore, sia ad una delle estremità. (figura 16)

#### IL PMK

Il PMK è usato in costruzioni di muro a secco ogni qualvolta la scatola posteriore non è richiesta, sia che si tratta di costruzioni nuove o modificate.

## PIANIFICARE LA POSIZIONE DEL DIFFUSORE

### Panoramica

Stabilite con attenzione dove posizionare i diffusori nella stanza facendo riferimento all'applicazione. In seguito troverete solamente delle linee guida ma, così come per ogni installazione personalizzata, le condizioni specifiche sul posto potrebbero richiedere degli

parte inferiore del pannello in modo che il tweeter si trovi sopra il midrange. Se viene montato sotto l'altezza dell'orecchio, mettere il tweeter vicino al mediobassi. Cercate di mantenere il centrale entro 10° rispetto all'altezza dell'orecchio per avere migliori risultati. Oltre i 10°, inizia a svilupparsi un calo di risposta nel crossover, che farà sembrare il suono più recesso. Considerare i 15°, il massimo da permettere. (figura 1).

Nell'orientamento orizzontale, il diffusore attraverserà le traversine del muro a secco spaziosi normalmente, pertanto è richiesta una costruzione speciale a traversine per avere lo spazio necessario, anche se non si utilizza la scatola posteriore.

### Audio a 2 canali

Cercate di avere i diffusori e l'ascoltatore centrale approssimativamente agli angoli di un triangolo equilatero. La distanza d'ascolto determinerà poi la separazione dei diffusori. Se avete delle restrizioni, avvicinate i diffusori laterali per evitare l'effetto "vuoto al centro". (figura 2).

L'altezza ideale di diffusori dovrebbe essere con il centro del pannello entro 10° dall'altezza dell'orecchio.

dare un suono più diffuso di quello proveniente dai diffusori anteriori. Per i canali a 5.1 canali, i due diffusori surround dovrebbero essere posti ad un'angolazione di circa 120° rispetto al centrale anteriore. (figura 3). Per sistemi 6.1 EX, i due diffusori laterali devono stare in avanti rispetto al centrale, quasi in linea con l'ascoltatore. Un diffusore dovrebbe essere collocato sul muro posteriore direttamente in linea con il centro dell'area d'ascolto. Diversamente, due diffusori posteriori possono essere disposti paralleli, o su ogni lato delle traversine in costruzioni a muro secco. (figura 4). Per i sistemi 7.1, i due diffusori posteriori devono essere molto più distanziati. Un consiglio sarebbe di averli ad un'angolazione di 40° rispetto all'ascoltatore (figura 5).

## CONTROLLO DEL CONTENUTO

### Kit telaio da muro e griglia

- Telaio da muro
- Griglia metallica con tela
- 8 viti M5 x 30mm (cornice a PMK o scatola posteriore)

### Kit assemblaggio pannello

- Pannello con altoparlanti e crossover
- 8 viti M6 x 25mm (panello a cornice)
- Manuale di Istruzioni
- Chiave Allen M6
- 4 distanziatori scheda

### Kit PMK

- Telaio PMK
- 6 supporti
- 12 viti autofilettanti
- Sagoma per ritagli

### Kit scatola posteriore

- Scatola posteriore
- Cuscinetto in schiuma
- Foro ingresso cavo
- 2m striscia guarnizione in schiuma
- 22 viti autofilettanti (panello a scatola posteriore)
- 16 viti M6 (supporti per scatola posteriore)
- 16 rondelle M6 (supporti per scatola posteriore)
- Chiave Allen M6
- Pannello frontale
- 4 supporti
- Gommino di protezione

## PROCEDURE D'INSTALLAZIONE

### Costruzioni muro a secco esistenti (retrofit) senza scatola posteriore

#### Fase 1 – tagliare l'intonaco

Il semplice retrofissaggio è possibile solamente nell'orientamento verticale. Per l'orientamento orizzontale, seguire le istruzioni per nuove costruzioni.

Usate un attrezzo rileva tubature per trovare la posizione delle traversine del muro. Scegliere preferibilmente una cavità che non ha all'interno altri servizi in modo da evitare eventuali vibrazioni. Dovrebbero essere minimo 120cm (4ft) tra le traversine trasversali per assicurare un volume sufficiente di funzionamento dietro al diffusore.

Usare la sagoma fornita ed una livella, segnare e ritagliare lo spazio per il diffusore.

#### Fase 2 – preparazione della cavità (figura 6)

Tirare il cavo attraverso la parte superiore dell'apertura più 30cm (1ft) per facilitare la connessione.

Inserire l'ovatta assorbente adatta nella cavità, ma lasciate libera la zona subito dietro l'apertura. La fibra di vetro o minerale normalmente usata per l'isolamento del calore, e la schiuma a cellule aperte sono molto adatte per questo scopo, ma assicuratevi che corrispondono alle norme locali per l'incendio e al regolamento dell'edificio.

#### Fase 3 – fissaggio della cornice da muro

Tenere in mano il telaio PMK, la cornice da muro (senza la griglia metallica) ed almeno 2 viti del modulo telaio da muro.

Per le applicazioni da retrofissaggio, i supporti e le viti esistenti nel kit PMK non sono richiesti.

#### Avvertenza:

Prestate attenzione ai margini degli innesti di fissaggio oscillanti quando maneggiate il telaio PMK. Vi consigliamo di mettere i guanti.

### Nuove costruzioni muro a secco senza scatola posteriore

#### Fase 1 – fissare il PMK

Assicuratevi che la struttura del muro è correttamente preparata.

In orientamento verticale, il PMK si fissa tra due traversine adiacenti con spaziatura standard di 40cm (16in). Il diffusore necessita di minimo 40 litri (1.4 cu ft) di volume di funzionamento, e pertanto assicurate un'altezza minima di 120cm (4ft) non ostruita dalle traversine trasversali nella cavità. (figura 9)

In orientamento orizzontale, è necessario tagliare attraverso 2 traversine verticali e pertanto le traversine trasversali dovrebbero essere fissate sopra e sotto il diffusore per sostenere il muro. È necessario uno spazio libero verticale di 38cm (15 in) tra le traversine trasversali per assicurare il volume necessario per il diffusore. (figura 10)

Mantenete la cavità necessaria per il diffusore libera da servizi o tubature che potrebbero indurre dei rumori.

Avvitare i 6 supporti sulla parte frontale della cornice PMK usando le viti autoavvitanti fornite. In orientamento verticale, usare le 6 posizioni di ancoraggio sotto i lati più lunghi.(figura 9)

In orientamento orizzontale, usare le 4 posizioni di ancoraggio lungo i lati corti e le 2 centrali lungo il lato lungo.(figura 10)

Avvitare o inchiodare i supporti alle traversine, usando una livella per assicurarvi che la cornice è perfettamente dritta.

Portare il cavo del diffusore (singolo o bi-wire) all'estremità più vicina della cornice PMK per evitare di dover passare il cavo dietro il diffusore. Assicurate il cavo in modo che questo non tocchi le traversine o i pannelli del muro a secco. Lasciare circa 30cm (1ft) di cavo per facilitare la connessione.

### Nuove costruzioni muro a secco con scatola posteriore

#### Fase 1 – fissare la scatola posteriore

Assicuratevi che il muro è preparato correttamente, in modo che ci sia sufficiente spazio per la scatola posteriore e la sua spina per l'ingresso del cavo. Il pannello del diffusore può essere posizionato sia in centro, sia ad una delle estremità della scatola posteriore intorno alla posizione desiderata del diffusore. (figura 16)

In orientamento verticale, la scatola posteriore si fissa tra due traversine adiacenti se si trovano a distanza standard di 40cm (16 in).(figura 13)

In orientamento orizzontale, è necessario tagliare attraverso 3 traversine verticali e pertanto le traversine trasversali devono essere fissate sopra e sotto la scatola posteriore per sostenere il muro. (figura 14)

Aggiungete i 4 supporti alla scatola posteriore come richiesto per fissarla alle traversine del muro. Usate 4 viti M6 e rondelle per supporti. Se i supporti sono fissati ad un lato corto, si sovrapporranno e saranno necessarie solamente 6 viti per fissare 2 supporti. Non stringere le viti completamente in questa fase per permettere ai supporti di scivolare. (figure 13, 14 & 15)

Togliete uno dei dischi dell'entrata del cavo circolare sulla scatola posteriore e fissate la glandola d'ingresso del cavo. Se usate l'orientamento verticale, togliete il disco nella parte corta all'estremità aperta. Per l'orientamento orizzontale, togliete uno dei dischi sul lato lungo, preferibilmente il più vicino all'estremità aperta. Rimuovere il dado all'estremità corta della glandola d'ingresso e inserite dall'esterno, così che l'estremità lunga punti verso l'esterno della scatola posteriore.(figura 15)

Per l'allineamento, fissate temporaneamente il pannello frontale alla scatola posteriore nella maniera desiderata usando 2 delle viti autofilanti. (figura 16)

### Nuove costruzioni muro solido con scatola posteriore

#### Fase 1 – montare la scatola posteriore

La scatola posteriore è usata per definire il volume di lavoro del diffusore e dovrebbe essere montata, in un muro di mattoni o di blocchi, in maniera simile all'infisso di una finestra. I supporti, le viti e la glandola d'ingresso del cavo fornite non saranno richieste. Prestate attenzione a non sbattere la scatola contro il muro. Pertanto dovrebbe essere incastrata in posizione in modo da lasciare uno spazio libero attorno. Se si desidera collocare la scatola sulla margine inferiore di un mattone, usare un mastice flessibile invece del cemento o la malta. La scatola posteriore non è progettata per assorbire il peso del muro soprastante, e pertanto si deve usare una architrave adatta. (figura 18)

Prima di posizionare la scatola posteriore nel muro, togliete uno dei dischi per l'entrata dei cavi circolari sul retro della scatola e fissate la guarnizione di gomma per evitare il danneggiamento del cavo. La glandola d'ingresso del cavo non è richiesta. Se il muro è uno interiore a larghezza singola, è probabile più facile usare una delle entrate del cavo nella parte posteriore e di passare il cavo sulla parte contraria del muro.(figura 19)

Per l'allineamento, fissate temporaneamente il pannello frontale alla scatola posteriore nella maniera desiderata usando 2 delle viti autofilanti. (figura 16)

Per evitare che i frammenti entrino nella scatola posteriore, coprire con una foglia di plastica le aperture fino che il lavoro di muratura non sarà completato.

Una volta completato il lavoro sul muro, rimuovere il pannello frontale dalla scatola. Passare il cavo nella scatola posteriore. Portatelo dove sarà un'estremità dell'apertura, e poi lasciare altri 30cm (1ft) per facilitare la connessione.

Inserire la cornice PMK attraverso l'apertura nel muro e spingetela verso la posizione finale (figura 7).

Con un braccio dentro il telaio muro, tenere il PMK in posizione e collocare il telaio da muro nella sua posizione con l'altro braccio. Stringete le parti su tutti i lati del pannello con una mano, e con un dito stringete le 2 viti che tengono insieme le parti (figura 8).

Inserire le 6 viti rimanenti e raddrizzate la cornice prima di stringere le viti fino a che il telaio da muro e la cornice PMK s'incastano perfettamente al muro.

**Fase 2 – fissare il pannello di gesso** (figura 11)  
Avvicinate il pannello di gesso al muro e tagliare un'apertura con l'angolo interno della parte anteriore del PMK.

Riempire la cavità esterna dell'area del PMK con ovatta assorbente adatta. La fibra di vetro o minerale normalmente usata per l'isolamento del calore, e la schiuma a cellule aperte sono molto adatte per questo scopo, ma assicuratevi che corrispondono alle norme locali per l'incendio e al regolamento dell'edificio.

**Fase 3 – fissare il telaio da muro** (figura 12)  
Fissare il telaio da muro dopo aver applicato lo strato finale di gesso, ma prima della decorazione.

Rimuovere tela della griglia dal telaio da muro e fissate il telaio al PMK usando le 8 viti fornite.

Allineate la scatola posteriore ed avvitate o fissate i supporti al muro. Usare una livella per assicurarvi che il telaio è perfettamente dritto e stringere tutte le viti sostenenti i supporti della scatola posteriore. (figure 13 & 14)

Togliere il pannello frontale ed inserire il cavo del diffusore (single o bi-wire) attraverso la glandola d'ingresso del cavo. Passate il cavo attraverso gli innesti di fissaggio e tirate una lunghezza sufficiente per arrivare all'estremità più vicina delle aperture nel pannello frontale più 30cm (1ft), per un collegamento più facile. Fissate il cavo per non sbattere contro i pannelli o traversine. Stringete la glandola d'ingresso del cavo intorno al cavo.

Posizionare il cuscinetto in schiuma nella scatola posteriore in modo da liberare l'apertura e avvitate il pannello frontale al suo posto nell'orientamento desiderato.(figura 6 con posizione schiuma in grigio). Usare 16 viti autofilettanti intorno al margine esterno, 4 nei lati lunghi dell'apertura e 2 vicino ai lati corti.

Porre la striscia di guarnizione intorno all'apertura con funzione di sigillo contro il pannello di gesso. (figura 17)

**Fase 2 – fissare il pannello di gesso**

Avvicinate il pannello di gesso al muro e tagliare un'apertura con la margine dell'apertura nella scatola posteriore (figura 11)

Rimuovere i frammenti dall'interno della scatola posteriore con un aspirapolvere.

**Fase 3 – fissare il telaio a muro** (figura 12)

Fissate il telaio a muro dopo l'applicazione dell'ultimo strato di gesso, ma prima della decorazione.

Rimuovere al tela griglia dal telaio a muro e avvitate il telaio alla scatola posteriore usando le 8 viti fornite.

Posizionare il cuscinetto in schiuma nella scatola posteriore in modo da liberare l'apertura e avvitate il pannello frontale al suo posto nell'orientamento desiderato.(figura 6 con posizione schiuma in grigio). Usare 16 viti autofilettanti intorno al margine esterno, 4 nei lati lunghi dell'apertura e 2 vicino ai lati corti.

Porre la striscia di guarnizione intorno all'apertura con funzione di sigillo contro il pannello di gesso. (figura 17)

**Fase 2 – rifinire il muro**

Anche se intonacate il muro nel modo tradizionale, vi consigliamo, per i motivi di vibrazioni presentati sopra, di coprire le superficie della scatola posteriore con pannelli di gesso incollati con mastice. Sulla facciata anteriore, deve essere ritagliata un'apertura nel pannello di gesso con la margine dell'apertura della scatola posteriore. Sul retro lasciate spazio per il cavo se necessario. Se non esiste la possibilità di intonacare a umido, date uno strato di adesivo sulla scatola posteriore prima.

Rimuovere i frammenti dall'interno della scatola posteriore con un aspirapolvere.

**Fase 3 – fissare il telaio a muro** (figura 12)

Fissate il telaio a muro dopo l'applicazione dell'ultimo strato di gesso, ma prima della decorazione.

Rimuovere al tela griglia dal telaio a muro e avvitate il telaio alla scatola posteriore usando le 8 viti fornite.

## Tutti i metodi

### Fase 4 – decorazione

Nella preparazione per la decorazione, raschiare delicatamente il bordo del telaio a muro con una tela smeriglio e rimuovere la tela dal retro della maglia della griglia.

Il telaio e la griglia possono essere verniciati usando una pittura a base d'acqua, d'olio o di lacca, applicata con la spazzola, il rullo o lo spray. La verniciatura spray della griglia metallica è da preferire in quanto non esiste il rischio di ostruire i fori.

Non verniciare la maglia della griglia con la tela in tessuto attaccata in quanto ostruirà i pori e danneggerà la qualità del suono.

### Fase 5 – fissare il pannello e la griglia

Il pannello altoparlanti viene fornito con una barra di acciaio che congiunge i magneti delle unità mediobassi e bassi. Questa barra ha il ruolo di proteggere gli shock durante il trasporto e deve essere rimossa prima del montaggio del pannello, svitando semplicemente la vite centrale all'interno dell'unità altoparlanti mediobassi. Vi consigliamo di conservare la barra, il distanziatore e la vite nel caso dovrete trasportare nuovamente gli altoparlanti in futuro.

Orientate il pannello in modo che i terminali si trovino vicino al cavo. Prima del fissaggio, assicuratevi che il sotto pannello centrale si trova nel senso giusto. Il tweeter ed il mediobassi dovrebbero trovarsi uno sopra l'altro, con il mediobassi più vicino all'altezza dell'orecchio (figura 1).

Inserire i 4 distanziatori negli angoli inferiori del telaio a muro per assicurare un corretto allineamento orizzontale e verticale. Collocate la margine inferiore del pannello nel telaio a muro e lasciate fuori la parte superiore mentre realizzate le connessioni. Controllate se i collegamenti ad anello dei fili sono stati tagliati se intenzionate usare il bi-wiring o se sono ancora collegati per il single wiring. Spingere quindi il pannello completamente a posto e assicuratelo con le viti fornite. Togliere i distanziatori. (figura 20)

Riporre la tela alla maglia della griglia e eliminate tutte le bolle prima di spingere la griglia nella sua posizione. Se la tela non si adatta perfettamente alla griglia, spruzzate sul retro della maglia metallica (non della tela) un adesivo adatto come lo Spraymount 3M.

## CONSEGNA

Una volta completato il lavoro, compilate la sezione dettagli rivenditore del Manuale di Istruzioni / Libretto Garanzia del pacchetto assemblaggio pannello e consegnatelo al cliente.

# Nederlands

## INLEIDING

### Omschrijving

De Signature 8NT is een drieweg inbouwluidspreker met uitstekende audioprestaties. Het complete ontwerp is verdeeld in vier afzonderlijke modules:

1. Wandframe en grill
2. Luidsprekerpaneel met eenheden en wisselfilter
3. PMK (Pre/post Montageset)
4. Achterzijde

Doordat alle delen afzonderlijk zijn verpakt, kunnen alle delen opzij gelegd worden tot ze werkelijk nodig zijn. De eerste beide delen zijn voor elke installatie nodig en worden samen in één karton geleverd. Zie verderop om vast te stellen wat u voor uw specifieke toepassing nodig heeft: of de PMK, of de achterzijde. U heeft altijd één van beide nodig, nooit alle twee.

De Signature 8NT kan worden gemonteerd in een scheidingswand of een muur, zowel verticaal als horizontaal. In een bestaande scheidingswand is verticale montage doorgaans zonder meer mogelijk. Horizontale montage daarentegen betekent meestal dat verticale steunbalken doorgezaagd moeten worden, wat het een ingrijpende klus maakt die heel wat merkt omvat.

#### Frame en grill

Het frame wordt aangebracht nadat de wand of het stucwerk is voltooid, maar voor de afwerking. De rand van de grill en het frame mogen geveerd worden voordat het luidsprekerpaneel (baffle) en de eenheden zijn gemonteerd.

#### Luidsprekerpaneel

Het luidsprekerpaneel draagt alle vitale delen van het systeem. Door het te scheiden van het frame werkt u gemakkelijke en u vermijdt ook mogelijke beschadiging van de eenheden tijdens het afwerken.

De luidspreker kan zowel verticaal als horizontaal worden gemonteerd, dat laatste vooral in de functie van centrum luidspreker, onder of boven het beeldscherm.

Om een optimale horizontale spreiding te krijgen van de het deel voor de hogere frequenties en een afstraling te bewerkstelligen naar alle luisteraars, dient het centrale deel van het luidsprekerpaneel 90° gedraaid te worden zodat de eenheden zich boven elkaar bevinden.

De afstraling van de middentoner en de tweeter is bewust 5° naar de middentoner gericht en dit in combinatie met de mogelijkheid het centrale deel te draaien biedt meer vrijheid bij het kiezen van de verticale opstelling van de luidsprekers. Wordt de luidspreker gemonteerd met het centrum boven oorhoogte, dan draait u het centrale deel zo dat de tweeter zich boven de middentoner bevindt. Bij montage beneden oorhoogte dient de tweeter zich onder de middentoner te bevinden. Probeer het centrale deel binnen 10° van de oorhoogte te houden

De hoogte wordt zo gekozen dat het centrum van het front zich zo mogelijk op dezelfde hoogte bevindt als het hart van het beeldscherm. En natuurlijk binnen 10° van de oorhoogte.

### Meerkanaals centrum

Gebruikt u een akoestisch transparant projectiescherm, plaats de luidspreker dan zo dicht mogelijk bij het centrum van het scherm, met in acht neming van de 10° t.o.v. de oorhoogte. Gebruik de verticale oriëntatie van de tweeter.

In alle andere gevallen oriënteert u de luidspreker horizontaal en plaats deze direct onder of direct boven het scherm.

### Meerkanaals surround

Plaats de luidsprekers met het centrum ca. 60 cm boven oorhoogte om een diffuser geluid te krijgen dan van de front luidsprekers. Bij 5.1 systemen dienen de beide surround luidsprekers op ongeveer 120° t.o.v. de centrum luidspreker

Desgewenst kan de luidspreker in bi-wiring of bi-amping worden gebruikt. Af fabriek zijn beide paren ingangen met een draad op het wisselfilter doorverbonden voor enkelvoudige aansluiting. Voor bi-wiring of bi-amping knipt u deze draden bovenaan de lus door; zo blijven ze beide lang genoeg om ze eventueel later weer door te verbinden.

Lees deze aanwijzingen in hun geheel door voordat u aan de montage begint!

Om een optimale weergave met uw luidsprekers te bereiken is het belangrijk dat zij op de juiste manier geïnstalleerd worden. Wij raden u daarom aan eerst de aanwijzingen helemaal door te nemen voordat u begint. Mocht er iets zijn dat u niet begrijpt, raadpleeg dan uw dealer of de B&W importeur.

### Installatie opties

#### Waarschuwing

De luidsprekers hebben een magnetisch strooiveld dat invloed kan hebben op de werking van TV met een conventionele beeldbuis. Houd de luidspreker minimaal 50 cm uit de buurt van zo'n toestel. Bij sommige zeer gevoelige toestellen kan een iets grotere afstand gewenst zijn.

#### Achterzijde

In een scheidingswand zorgt de achterzijde voor extra geluidsisolatie tussen de kamers en bovendien voor de verspreiding van vuur in geval van brand. Bij massieve muren biedt de achterzijde een vooraf bepaalde inhoud, groter dan die van de eenheden zelf. Een kleine volume dan door de achterzijde bepaald beperkt de laagweergave. Voor extra flexibiliteit bij de installatie kan de luidspreker zowel in het midden als aan de uiteinden van de achterzijde worden gemonteerd (afb. 16).

#### PMK

De PMK wordt gebruikt in een scheidingswand wanneer geen achterzijde nodig is, zoals bij een nieuwe constructie als bij later aanbrengen.

## BEPALEN VAN DE JUISTE POSITIE

### Algemeen

Bepaal zorgvuldig waar de luidsprekers in de kamer moeten komen, afhankelijk van de toepassing. Het volgende zijn uiteraard maar richtlijnen en meestal zal de installatie aan de omstandigheden moeten worden aangepast. Vooral de positie van de steunbalken in de wand kunnen het nodig maken de aanbevolen opstelling te wijzigen.

voor een optimaal resultaat. Buiten die 10° treedt een lichte dip op het crossover punt op wat het geluid iets matter maakt. Houd 15° als maximum toelaatbare hoek aan (afb. 1).

Bij horizontale montage zal de luidspreker meestal verticale steunbalken doorsnijden en is een speciale constructie nodig om de benodigde ruimte te scheppen, ook zonder gebruik van de achterzijde.

### 2 Kanaals audio

Streef er naar de luidsprekers frontaal tegenover de luisteraars op te stellen, liefst in een opstelling als een gelijkzijdige driehoek. De afstand van elke luidspreker tot de luisteraar is dan gelijk aan de onderling afstand tussen de luidsprekers. Is dat moeilijk te realiseren kies dan een situatie waarin de onderlinge afstand van de luidsprekers kleiner is dan die tot de luisteraar; dit om een 'gat' in het midden te vermijden (afb. 2).

De hoogte van de luidsprekers dient zodanig te zijn dat het centrum van het front zich binnen 10° van oorhoogte bevindt.

### Meerkanaals links/rechts front

De afstand tussen de beide front luidsprekers is hier doorgaans kleiner dan bij stereo. Meestal bevinden de luidsprekers zich op ca. 0,5 meter ter weerszijden van het beeldscherm.

geplaatst te worden (afb. 3). Bij 6.1 EX systemen dienen de twee zijluidsprekers meer naar voren staan, vrijwel in lijn met de luisteraars. Eén luidspreker wordt dan tegen de achterwand geplaatst, direct in lijn met het centrum van de luisterruimte. Ook kunnen achter twee luidsprekers naast elkaar gebruikt worden, ter weerszijden bijvoorbeeld van een steunbalk in de scheidingswand (afb. 4). Bij 7.1 systemen dienen de twee achter luidsprekers verder uit elkaar te staan. Een goed uitgangspunt is een hoek t.o.v. de luisteraar van ca. 40° (afb. 5).

## CONTROLE VAN DE INHOUD

### Frame en grill pakket

- Frame
- Metalen grill met stofafdichting
- 8 st. M5 x 30 mm schroeven (frame aan PMK of achterzijde)

### Frontpaneel (baffle) pakket

- Frontpaneel met eenheden en wisselfilter
- 8 st. M6 x 25 mm schroeven (front aan frame)
- Handleiding
- M6 inbussleutel
- 4 st. afstandsringen

### PMK pakket

- PMK frame
- 6 Beugels
- 12 Zelftappende boutjes
- Sjabloon

### Achterzijde pakket

- Achterzijde
- Schuim doppen
- Kabeldoorvoer
- 2 m Schuimstrip
- 22 Zelftappende boutjes (front aan achterzijde)
- 16 st. M6 schroeven (beugels aan achterzijde)
- 16 st. M6 revetten (beugels aan achterzijde)
- M6 inbussleutel
- Frontpaneel
- 4 Beugels
- Rubber grommet

## INSTALLATIE

### Bestaande scheidingswand. Later aanbrengen zonder achterzijde

#### Stap 1 – maken van de uitsnede in de gipsplaat

Achteraf kan dat eigenlijk alleen bij verticale montage. Voor horizontale montage volgt u de aanwijzingen onder nieuwe constructies.

Zoek met behulp van passend gereedschap op waar zich de steunbalken bevinden en neem bij voorkeur een ruimte waar geen andere leidingen lopen om resonanties te voorkomen. Er dient minimaal 120 cm tussen eventuele dwarsverbindingen te zijn om de luidspreker te kunnen monteren.

Met behulp van het bijgeleverde sjabloon en een waterpas tekent u het gat af en zaagt het uit.

**Stap 2 – voorbereiding van de ruimte** (afb. 6)  
Trek de kabel door de bovenzijde van de opening en zorg dat er 30 cm over is om aan te sluiten.

Vul de ruimte met een geschikt dempingsmateriaal, maar laat het gebied direct achter de opening vrij. Glaswol of fiberdeken dat gewoonlijk wordt gebruikt voor warmte isolatie en schuimrubber zijn geschikt, maar denk aan de plaatselijke bouw- en brandvoorschriften.

#### Stap 3 – aanbrengen van het frame

Houd het PMK frame bij de hand, het wandframe (de grill verwijderd) en minstens 2 schroeven voor het wandframe.

Bij montage in een bestaande wand zijn de beugels en schroeven in het PMK pakket niet nodig.

#### Waarschuwing:

Wees voorzichtig met de randen van de moeren van het PMK frame. Handschoenen zijn niet overbodig.

### Nieuwe constructie zonder achterzijde

#### Stap 1 – het PMK aanbrengen

Controleer of de wand goed wordt ondersteund.

Bij verticale montage wordt de PMK aangebracht tussen twee verticale steunbalken op standaard 40 cm afstand. De luidspreker heeft minimaal 40 liter volume nodig en zorg er daarom voor dat er verticaal minstens 120 cm vrije ruimte is die niet door dwarsverbindingen wordt verkleind (afb. 9).

Bij horizontale montage dient door twee verticale steunbalken gezaagd te worden en dan moeten boven en onder de luidsprekers dwarsverbindingen worden aangebracht om de wand te steunen. Een vrije verticale afstand van 38 cm tussen de dwarsverbindingen is nodig om de voor de luidspreker benodigde ruimte te creëren (afb. 10).

Houd de gehele ruimte vrij voor de luidspreker, om eventuele resonanties te voorkomen.

Schroef de 6 beugels aan het front van het PMK frame met de bijgeleverde zelftappende boutjes vast. Bij verticale opstelling gebruikt u de zes ankers aan de lange zijden (afb. 9).

Bij verticale opstelling de 4 ankers aan de korte zijden en de beide centrale ankers aan de lange zijden (afb. 10).

Schroef of spijker de beugels aan de wand vast en gebruik een waterpas om te zorgen dat alles recht blijft.

Voer de luidsprekerkabel of –kabels naar het dichtst bijzijnde einde van het PMK frame om te voorkomen dat deze achter de luidspreker doorgevoerd moet worden. Zet de kabel(s) vast zodat deze niet kan rammelen. Houd een lengte van ca. 30 cm voor gemakkelijke montage.

#### Stap 2 – gipsplaat (afb. 11)

Bevestig de gipsplaat op de wand en snij een opening uit die gelijk ligt met de binnenzijde van de voorzijde van het PMK frame.

### Nieuwe constructie met achterzijde

#### Stap 1 – aanbrengen achterzijde

Controleer of de wand goed wordt ondersteund en er voldoende ruimte is voor de achterzijde en de kabelinvoer.

Het frontpaneel kan zowel centraal als aan een uiteinde van de achterzijde worden gepositioneerd, wat meer flexibiliteit geeft in de opstelling van de achterzijde rond de gewenste luidsprekerpositie (afb. 16).

In verticale opstelling past de achterzijde tussen twee steunbalken als die op de standaard 40 cm van elkaar staan (afb. 13).

Bij horizontale montage dient door drie verticale steunbalken gezaagd te worden en dan moeten boven en onder de luidsprekers dwarsverbindingen worden aangebracht om de wand te steunen (afb. 14).

Breng de 4 beugels op de achterzijde aan om de steunbalken vast te zetten. Gebruik 4 M6 schroeven en revetten per beugel. Wanneer de beugels aan de korte zijde worden bevestigd overlappen ze en zijn slechts 6 schroeven nodig voor 2 beugels. Draai de schroeven nog niet echt vast om later de beugels nog te kunnen verschuiven (afb. 13, 14 & 15).

Verwijder één van de ronde kabeldoorvoeren in de achterzijde en voer de kabel door. Bij verticale opstelling verwijdert u de doorvoer aan de korte zijde van de open kant. Bij horizontale opstelling de doorvoer die zich het dichtst bij de open zijde bevindt. Verwijder de moer aan de korte zijde van de doorvoer en steek deze er van buiten in. Draai de moer er aan de binnenzijde van de achterzijde weer op en vast (afb. 15).

Om uit te richten tijdelijk de voorzijde op de achterzijde bevestigen met 2 zelftappende boutjes (afb. 16).

Breng de achterzijde in lijn en schroef of spijker de beugels tegen de wand. Gebruik een

### Nieuwe massieve muur met achterzijde

#### Stap 1 – inbouwen achterzijde

De achterzijde wordt gebruikt om het werkvolume van de luidspreker te bepalen en wordt net als een kozijn in de stenen of blokken ingebouwd. De beugels, schroeven en kabeldoorvoer worden nu niet gebruikt. Let er op dat de achterzijde niet kan rammelen tegen de muur. Zorg ervoor dat de achterzijde aan alle kanten vrij blijft. Wil u de achterzijde op de onderste rij stenen zetten, gebruik dan een flexibele kit en niet op cement of mastiek. De achterzijde is niet geschikt om de wand erboven te dragen, gebruik daarom een geschikte latei (afb. 18).

Voordat de achterzijde in positie wordt gebracht eerst één van de kabelvoeren verwijderen en de rubber doorvoer aanbrengen om doorschuren te voorkomen. De metalen doorvoer is niet nodig. Gaat het om een halfsteens binnenmuur dan is gebruik van een doorvoer in de achterzijde het makkelijkste en leg de kabel aan de andere zijde van de muur (afb. 19).

Om uit te richten tijdelijk de voorzijde op de achterzijde bevestigen met 2 zelftappende boutjes (afb. 16).  
Om te voorkomen dat afval in de achterzijde terecht komt een stuk plakband of zoiets over de opening doen tot alle grove werk klaar is.

Is dat klaar verwijder dan het frontpaneel van de achterzijde. Leg de kabel naar de achterzijde en laat ca. 30 cm over voor het aansluiten.

Breng de schuim dop in de achterzijde aan en schroef het frontpaneel stevig op zijn plaats in de gewenste positie (afb. 16 met schuim grijs gemarkeerd). Gebruik 16 zelftappende boutjes rond de buitenzijde, 4 in de terugspringende lange zijden van de opening en 2 bij de korte zijde van de opening.



Steek het PMK frame door de opening in de wand en trek het weer naar voren in positie (afb. 7). Steek één arm naar binnen om het PMK frame op zijn plaats te houden en breng met de andere het wandframe op zijn plaats aan de buitenzijde. Houd met één hand beide frames aan beide zijden van de gipsplaat vast en breng twee schroeven aan om de delen aan elkaar te zetten (afb. 8).

Breng nu ook de overige 6 schroeven aan, richt het geheel tot het recht zit en draai alle schroeven goed vast.

Vul de ruimte buiten het PMK frame met geschikte dempende materialen. Glaswol of fiberdeken dat gewoonlijk wordt gebruikt voor warmte isolatie en schuimrubber zijn geschikt, maar denk aan de plaatselijke bouw- en brandvoorschriften.

**Stap 3 – wandframe aanbrengen** (afb. 12)  
Breng het wandframe aan nadat de nodige kit aangebracht is maar voor de afwerking.

Verwijder de grillrand van het wandframe en schroef het frame op de PMK met de bijgeleverde 8 schroeven.

waterpas om te zien of het frame recht zit en draai alle schroeven van de beugels op de achterzijde vast (afb. 13 & 14).

Verwijder het frontpaneel en voer de luidsprekerkabel(s) door de doorvoer. Leid de kabel door de houten balken en neem voldoende tot het frontpaneel plus 30 cm voor gemakkelijk aansluiten. Zet de kabel(s) vast zodat deze niet kan rammelen tegen een paneel of een balk. Draai de kabeldoorvoer ook aan.

Breng de schuim dop in de achterzijde aan en schroef het frontpaneel stevig op zijn plaats in de gewenste positie (afb. 16 met schuim grijs gemarkeerd). Gebruik 16 zelftappende boutjes rond de buitenzijde, 4 in de terugspringende lange zijden van de opening en 2 bij de korte zijde van de opening.

Leg de bijgeleverde schuim band rond de rand van de opening om het gips af te dichten (afb. 17).

#### **Stap 2 – Gipsplaat aanbrengen**

Bevestig de gipsplaat op de wand en snij een opening uit die gelijk ligt met de binnenzijde van de voorzijde van de opening van de achterzijde (afb. 11).

Verwijder afval uit de achterzijde met een stofzuiger.

**Stap 3 – wandframe aanbrengen** (afb. 12)  
Breng het wandframe aan nadat de nodige kit aangebracht is maar voor de afwerking.

Verwijder de grillrand van het wandframe en schroef het frame op de achterzijde met de bijgeleverde 8 schroeven.

Leg de bijgeleverde schuim band rond de rand van de opening om het gips af te dichten (afb. 17).

#### **Stap 2 – Afwerken van de muur**

Ook bij traditioneel stucwerk raden we aan om trillingen te voorkomen, de oppervlakken van de achterzijde (voor en achter) te bedekken met gipsplaat en mastiek. In de voorzijde moet er een gat in komen, vlak met de rand van de opening in de achterzijde. Vergeet eventueel de kabel aan de achterzijde niet. Kan alleen gestuukt worden, voorbereid de achterzijde dan eerst.

Verwijder afval uit de achterzijde met een stofzuiger.

**Stap 3 – aanbrengen wandframe** (afb. 12)  
Breng het wandframe aan nadat de nodige kit aangebracht is maar voor de afwerking.

Verwijder de grillrand van het wandframe en schroef het frame op de achterzijde met de bijgeleverde 8 schroeven.

## Alle toepassingen

### Stap 4 – Afwerken

Ter voorbereiding op verven de rand van het wandframe licht schuren met fijn schuurpapier en verwijder de stofafdichting op de achterzijde van de grill.

Het frame en de grill kunnen worden geleverd met normale water-, olie- of op enamel gebaseerde verf, aan te brengen met een kwast, rol of spuit. Voor de metalen grill is spuiten te prefereren omdat dan de gaten minder snel dichtlopen.

Verf de grill niet terwijl de stofafdichting nog op zijn plaats zit, daar dat de poriën afsluit en de geluidskwaliteit zal aantasten.

### Stap 5 – aanbrengen van het frontpaneel en de grill

The baffle assembly is supplied with a steel bar linking the magnets of the bass and midrange drive units. This bar is for protection against shock in transit and must be removed before fitting the baffle, by simply removing the central screw into the midrange drive unit. We suggest you retain the bar, spacer and screw should the baffle need to be transported at a later date.

Richt het luidsprekerpaneel zo dat de aansluitingen dicht bij de kabel komen. Voordat u aansluit, controleer of de centrale subeenheid correct gedraaid is. De tweeter en middentoner dienen boven elkaar te zitten, met de middentoner op oorhoogte (afb. 1).

Breng de 4 afstandskartonnetjes in de onderste hoeken van het wandframe aan voor de juiste horizontale en verticale uitlijning. Zet de onderrand van het luidsprekerpaneel (baffle) in het wandframe en laat de bovenzijde nog open om de verbindingen te kunnen maken. Controleer of de doorverbindingen doorgeknipt zijn wanneer u gebruik maakt van bi-wiring of bi-amping. Druk dan het luidsprekerpaneel op zijn plaats en zet het vast met de bijgeleverde schroeven. Verwijder de afstandskartonnetjes (afb. 20).

Breng de stofafdichting weer op de grill aan en trek deze strak voordat u de grill in positie drukt. Wanneer de stof niet mooi strak op de grill ligt, spuit u de achterzijde van de grill (niet de stof!) in met een geschikte lijm, zoals 3M Spraymount.

## KLAAR

Het laatste wat u doet is het invullen van de garantiekaart uit de doos van het luidsprekerpaneel en u geeft het aan uw cliënt.

# Русский

## ВВЕДЕНИЕ

### Описание

Signature 8NT – 3-полосная встраиваемая в стену АС истинно аудиофильного качества. Вся конструкция подразделяется на 4 отдельных модуля:

1. Настенная рама и решетка
2. Передняя панель с динамиками и кроссовером
3. ПМК (Пре/постмонтажный комплект)
4. Монтажный короб

Раздельная упаковка позволяет хранить модули по отдельности до тех пор, пока они понадобятся. Первые два модуля требуются для всех инсталляций и поэтому поставляются вместе в главной коробке. Из дальнейшего вы поймете, нужен ли для вашего конкретного случая ПМК или монтажный короб. Из этих двух модулей всегда требуется только один.

особо чувствительных телевизоров может потребоваться и большее расстояние.

Signature 8NT может быть установлена в гипсокартонной или сплошной стене в вертикальном или горизонтальном положении. В уже готовую гипсокартонную конструкцию АС можно легко встроить вертикально. Горизонтальная ориентация потребует прорезки вертикальных элементов каркаса стены, а значит, больше труда.

### Настенная рама и решетка

Настенная рама устанавливается после оштукатуривания, но до отделки. Прежде установки передней панели с динамиками решетку и раму можно окрасить в желаемый цвет.

### Передняя панель

На ней смонтированы все работающие элементы системы. То, что панель отделена от рамы, упрощает установку рамы и позволяет избежать возможного повреждения динамиков во время окраски стены.

заказной инсталляции, для конкретных условий может потребоваться адаптация. В частности, положение вертикальных элементов каркаса (стоек) гипсокартонной стены может заставить сместить АС относительно рекомендуемой позиции.

АС можно ориентировать вертикально или горизонтально. Последнее обычно применяется, когда АС служит центральным каналом домашнего театра и размещается над или под экраном.

Для сохранения оптимальной горизонтальной дисперсии и размеров зоны прослушивания центральную часть передней панели, содержащую СЧ и ВЧ динамики, следует повернуть на 90°, так, чтобы динамики расположились один над другим.

Суммирующая ось СЧ и ВЧ динамиков специально наклонена на 5° к СЧ динамику, что, вместе с возможностью поворота центральной секции, дает большую свободу при выборе высоты расположения АС. Если центр АС будет находиться выше уровня

Высота расположения АС должна быть такова, чтобы центр панели находился в пределах 10° по отношению к уровню ушей.

### **Левый/правый фронтальные каналы многоканальной системы**

Угол между АС, оцениваемый с места слушателя, обычно меньше, чем в 2-канальной системе. Как правило, это означает, что АС находятся примерно на 0,5 м от боковых сторон экрана.

Высота выбирается так, чтобы высота центра панели была как можно ближе к высоте центра экрана, оставаясь в пределах 10-градусной зоны по отношению к уровню ушей.

### **Центральный канал многоканальной системы**

Если используется акустически прозрачный проекционный экран, разместите АС как можно ближе к центру экрана в пределах 10-градусной зоны по отношению к уровню ушей и ориентируйте вертикально.

АС могут быть подсоединены способами би-ваеринг или би-ампинг. При отгрузке входные контакты АС закорочены попарно двумя петлевыми перемычками на плате кроссовера, т.е. АС готовы к подсоединению обычным способом. Для би-ваеринга или би-ампинга перекусите эти перемычки сверху петли. При этом концы перемычки останутся достаточно длинными на тот случай, если потом вы захотите их снова соединить.

Не начинайте работу, не прочитав внимательно это руководство.

Чтобы полностью реализовать возможности АС, важно правильно ее установить. Мы советуем полностью ознакомиться с данным руководством до начала работы. Если что-то осталось непонятным, вы можете получить помощь и совет у дилера либо дистрибьютора B&W в вашей стране.

#### Опции инсталляции

##### Предупреждение:

Динамики АС порождают магнитное поле рассеяния, которое может повлиять на изображение телевизоров с обычными электронно-лучевыми трубками. Размещайте АС на расстоянии не менее 50 см от таких телевизоров. Для некоторых

#### Монтажный короб

В гипсокартонной конструкции монтажный короб обеспечивает дополнительную звукоизоляцию между соседними комнатами и препятствует распространению огня между пустотами стены и комнатой. В сплошной стене короб задает минимально необходимый для работы АС внутренний объем. При меньшем внутреннем объеме частотная характеристика АС будет ограничена в области баса. АС можно расположить либо в центре короба, либо, если это нужно, ближе к одной из его сторон (например, для того, чтобы удалить АС от других расположенных в стене предметов). (рисунок 16)

#### ПМК

ПМК используется для установки АС в гипсокартонную стену (новостройку или готовую) в тех случаях, когда не требуется монтажный короб.

## РАЗМЕЩЕНИЕ АС

#### Общие положения

Тщательно продумайте расположение АС в комнате. Ниже приведены основные правила размещения, но, как всегда в

ушей слушателя, поверните центральную секцию так, чтобы ВЧ динамик был над СЧ динамиком. Если центр АС будет ниже уровня ушей, ВЧ динамик должен быть ниже СЧ. Для достижения наилучшего результата старайтесь, чтобы центр АС находился в пределах 10° по отношению к уровню ушей. Вне 10-градусной зоны начнет появляться провал частотной характеристики в области кроссовера, из-за чего звук будет казаться более отдаленным. Максимальное допустимое отклонение – 15°. (рисунок 1)

В горизонтальном положении АС пересечет стойки стандартной гипсокартонной стены, поэтому потребуются нестандартная конструкция стоек, чтобы создать между ними достаточный промежуток, даже если не используется монтажный короб.

#### 2-канальная аудиосистема

В идеале АС и слушатель должны располагаться в углах равнобедренного треугольника. Тогда расстояние между колонками определяется расстоянием до слушателя. Если это условие выполнить невозможно, пусть АС будут скорее ближе друг к другу, чем дальше, во избежание "дыры" посередине звуковой картины. (рисунок 2)

Во всех других случаях, ориентируйте АС горизонтально и разместите ее непосредственно над или под экраном.

#### Тыловые АС многоканальной системы

Центр панели должен находиться примерно на 60 см выше уровня ушей, чтобы звук был более рассеянным, чем из фронтальных АС. В 5.1-канальных системах две тыловые АС должны располагаться под углом примерно 120° относительно центральной оси. (рисунок 3) В 6.1-канальных (ЕХ) системах две боковые АС должны быть ближе кпереди, почти на одной линии со слушателями. Единственная АС размещается на задней стене строго на центральной оси зоны прослушивания. Две АС можно расположить рядом, по обе стороны от стойки гипсокартонной конструкции. (рисунок 4) В 7.1-канальных системах две тыловые АС должны быть дальше друг от друга. Хорошо же правило для таких АС – угловое расстояние между ними, оцениваемое с позиции слушателя, около 40°. (рисунок 5)

## ПРОВЕРЬТЕ КОМПЛЕКТНОСТЬ

#### Упаковка настенной рамы и решетки

- Настенная рама
- Металлическая решетка с прикрепленной тканью
- 8 винтов М5 х 30 мм (для прикрепления рамы к раме ПМК или монтажному коробу)

#### Упаковка передней панели

- Передняя панель с динамиками и кроссовером
- 8 винтов М6 х 25 мм (для прикрепления передней панели к раме)
- Руководство по эксплуатации
- Шестигранный ключ М6
- 4 пластинок

#### Упаковка ПМК

- Рама ПМК
- 6 скоб
- 12 винтов-саморезов
- Шаблон для выреза

#### Упаковка монтажного короба

- Монтажный короб
- Панель короба
- Пенопластовая прокладка
- 4 скобы
- Резиновая втулка
- Кабельный сальник
- 2-метровая лента из вспененного материала
- 22 винта-самореза (для прикрепления панели короба к коробу)
- 16 винтов М6 (для прикрепления скоб к коробу)
- 16 шайб М6 (для прикрепления скоб к коробу)
- Шестигранный ключ М6

## ПРОЦЕДУРА ИНСТАЛЛЯЦИИ

**В готовую гипсокартонную конструкцию, без короба**

### Этап 1 – вырез в гипсокартоне

Простая установка возможна только в вертикальном положении. Установка в горизонтальном положении – см. установку в новую конструкцию.

С помощью соответствующего инструмента выясните расположение стоек в стене. Предпочтительнее та полость, через которую не проложены другие сервисы (трубы и т.д.), чтобы не было дребезжания. Для обеспечения достаточного рабочего объема колонки, между поперечными элементами каркаса должно быть не менее 120 см.

Используя прилагаемый шаблон и спиртовой уровень, разметьте и вырежьте отверстие.

### Этап 2 – подготовка полости (рисунок 6)

Проложите кабель до верха проема плюс 30 см.

Вставьте в полость подходящий абсорбирующий материал, но оставьте пустым место непосредственно за проемом. Подойдут стекло- или минеральная вата, обычно используемые для теплоизоляции, а также пенопласт с открытыми ячейками, но убедитесь, что материал соответствует противопожарным и строительным нормам.

### Этап 3 – прикрепление настенной рамы

Приготовьте раму ПМК, настенную раму (снимите металлическую решетку) и как минимум 2 винта из упаковки настенной рамы.

Для установки в готовую конструкцию скобы и винты из ПМК не требуются.

### Предупреждение:

При обращении с рамой ПМК берегитесь острых краев. Возможно, стоит надеть перчатки.

**В новую гипсокартонную конструкцию, без короба**

### Этап 1 – установка ПМК

Убедитесь, что элементы каркаса стены подготовлены должным образом.

При вертикальной ориентации ПМК помещается между двумя соседними стойками каркаса, обычно отстоящими на 40 см. АС необходимо как минимум 40 литров рабочего объема, поэтому полость должна иметь минимум 120 см высоты, не перегороденной поперечными элементами каркаса. (рисунок 9)

При горизонтальной ориентации придется прорезать 2 стойки, поэтому поперечные элементы должны быть укреплены над и под колонкой, чтобы поддерживать стену. Для обеспечения рабочего объема между поперечными элементами должно быть не менее 38 см свободного пространства. (рисунок 10)

Полость должна быть полностью свободна от труб и других абсорбентов, которые могут дребезжать.

С помощью прилагаемых винтов-саморезов прикрепите 6 скоб к раме ПМК. При вертикальной ориентации используйте 6 намеченных позиций на длинных сторонах. (рисунок 9)

При горизонтальной ориентации используйте 4 намеченные позиции на коротких сторонах и 2 центральные на длинных. (рисунок 10)

Привинтите или прибейте гвоздями скобы к элементам каркаса стены. Для точного выравнивания положения рамы используйте спиртовой уровень.

Проложите колоночный кабель (кабели) до ближайшего конца рамы ПМК, чтобы не пришлось прокладывать кабель за колонкой. Закрепите кабель, чтобы он не мог дребезжать об элементы каркаса или о плиту.

**В новую гипсокартонную конструкцию, с коробом**

### Этап 1 – установка монтажного короба

Убедитесь, что элементы каркаса правильно подготовлены, то есть останется достаточно пространства для короба и кабельного сальника. Панель АС можно расположить в центре либо ближе к одному из краев короба (это дополнительная возможность для регулировки местоположения колонки). (рисунок 16)

При вертикальной ориентации короб помещается между двумя соседними стойками каркаса, обычно отстоящими на 40 см. (рисунок 13)

При горизонтальной ориентации придется прорезать 3 стойки, поэтому поперечные элементы каркаса должны быть укреплены над и под колонкой, чтобы поддерживать стену. (рисунок 14)

Прикрепите к коробу 4 скобы, которыми он будет крепиться к каркасу. Для каждой скобы используйте 4 винта М6 и шайбы. Если скобы крепятся к короткой стороне, они перекрываются и для крепления 2-х скоб требуется только 6 винтов. На этом этапе не затягивайте винты полностью, позволяя скобам скользить. (рисунки 13, 14 и 15)

Выбейте один из кругов, намеченных на коробе для кабельного ввода, и вставьте кабельный сальник. При вертикальной ориентации выбейте диск на короткой стороне с открытого конца. При горизонтальной ориентации выбейте диск на длинной стороне, желательно, ближайший к открытому концу. Свинтите гайку с сальника и вставьте сальник так, чтобы длинный конец оказался снаружи короба. Закрутите гайку изнутри короба. (рисунок 15)

Для облегчения выравнивания, временно прикрепите панель короба к желаемому месту короба двумя винтами-саморезами. (рисунок 16)

**В новую сплошную стену, с коробом**

### Этап 1 –стройка монтажного короба

Монтажный короб задает рабочий объем АС и встраивается в стену из кирпичей или блоков таким же способом, как рама окна. Скобы, 16 винтов М6 и кабельный сальник не потребуются. Следует позаботиться, чтобы короб не дребезжал о стену. Для этого он должен быть расклинен в таком положении, чтобы между ним и стеной со всех сторон оставался свободный зазор. Если вы хотите положить короб на нижний ряд кирпичной кладки, лучше использовать эластичную мастику, чем цемент или раствор. Короб не в состоянии нести нагрузку от верхней части стены, поэтому используйте подходящую перемычку. (рисунок 18)

Прежде чем помещать короб в стену, выбейте один из кругов, намеченных на коробе для кабельного ввода, и вставьте резиновую втулку для предотвращения трения кабеля о короб. Кабельный сальник не требуется. Если стена внутренняя, одинарной толщины, то, возможно, легче всего использовать один из кабельных вводов в тыловой стороне и протянуть кабель с обратной стороны стены (рисунок 19)

Для облегчения выравнивания, временно прикрепите панель короба к желаемому месту короба двумя винтами-саморезами. (рисунок 16) Чтобы во время кирпичных работ мусор не попал в короб, закройте его проем полиэтиленовой пленкой или чем-нибудь подобным.

По завершении кладки удалите панель с короба. Протяните кабель в короб до ближайшего конца проема плюс 30 см.

Разместите пенопластовую прокладку в коробе так, чтобы проем для колонки остался свободным, и прочно привинтите панель короба в желаемой позиции. (на рис.

Вставьте раму ПМК в отверстие и установите на место. (рисунок 7)  
Одной рукой, продетой в настенную раму, удерживайте раму ПМК на месте, а другой рукой приложите настенную раму.  
Прижимая детали одной рукой с двух сторон к плите, вставьте и "наживите" 2 винта, скрепляющие обе части. (figure 8)

Вставьте оставшиеся 6 винтов и, выравнивая настенную раму, затяните винты так, чтобы обе рамы плотно зажали плиту.

Для облегчения соединения свободный конец кабеля должен иметь длину около 30 см.

**Этап 2 – прикрепление плиты** (рисунок 11)  
Прикрепите плиту к стене и вырежьте отверстие по внутреннему краю рамы ПМК.

Заполните полость, кроме области за рамой ПМК, подходящим абсорбирующим материалом. Подойдут стекло- или минеральная вата, обычно используемые для теплоизоляции, а также пенопласт с открытыми ячейками, но убедитесь, что материал соответствует противопожарным и строительным нормам.

**Этап 3 – прикрепление настенной рамы** (рисунок 12)

Настенную раму прикрепляют после оштукатуривания, но до окончательной отделки.

Снимите с настенной рамы решетку и привинтите настенную раму к раме ПМК 8-ю прилагаемыми винтами.

Приложите короб и привинтите или прибейте гвоздями скобы к элементам каркаса. При помощи спиртового уровня убедитесь, что рама абсолютно горизонтальна, и затяните все винты, которыми скобы крепятся к коробу. (рисунки 13 и 14)

Удалите панель короба и протяните колоночный кабель (кабели) через кабельный сальник. Проложите кабель через деревянные распорки и вытяните на длину, достаточную для достижения ближайшего конца проема панели короба плюс 30 см. Закрепите кабель, чтобы он не мог дребезжать об элементы каркаса или о плиту. Затяните кабельный сальник вокруг кабеля.

Разместите пенопластовую прокладку в коробе так, чтобы проем для колонки остался свободным, и прочно привинтите панель короба в желаемой позиции. (на рис. 16 прокладка показана серым цветом)  
Используйте 16 винтов-саморезов по внешнему периметру, 4 на длинных сторонах внутри проема и 2 по бокам одной из коротких сторон проема.

Проложите входящую в комплект ленту из вспененного материала по краям проема для изоляции от гипсокартонной плиты. (рисунок 17)

**Этап 2 – прикрепление плиты**

Прикрепите плиту к стене и вырежьте отверстие по краю проема монтажного короба. (рисунок 11)

Удалите мусор из короба пылесосом.

**Этап 3 – прикрепление настенной рамы** (рисунок 12)

Настенную раму прикрепляют после оштукатуривания, но до окончательной отделки.

Снимите с настенной рамы решетку и привинтите настенную раму к коробу 8-ю прилагаемыми винтами.

16 прокладка показана серым цветом)  
Используйте 16 винтов-саморезов по внешнему периметру, 4 на длинных сторонах внутри проема и 2 по бокам одной из коротких сторон проема.

Проложите входящую в комплект ленту из вспененного материала по краям проема для изоляции от стены. (рисунок 17)

**Этап 2 – отделка стены**

Даже если стена оштукатуривается обычным способом, мы советуем по описанному выше причинам, связанным с вибрацией, закрыть короб спереди и сзади гипсокартонной плитой, прикрепив ее мастикой. В передней плите вырежьте отверстие по краю проема короба, в задней, при необходимости, – отверстие для кабеля. Если нет альтернативы мокрой штукатурке, загрунтуйте короб подходящим адгезивным составом.

Удалите мусор из короба пылесосом.

**Этап 3 – прикрепление настенной рамы** (рисунок 12)

Настенную раму прикрепляют после оштукатуривания, но до окончательной отделки.

Снимите с настенной рамы решетку и привинтите настенную раму к коробу 8-ю прилагаемыми винтами.

## Во всех случаях

### Этап 4 – окончательная отделка

Для подготовки к окраске слегка обработайте фланец настенной рамы тонкой шкуркой и удалите ткань с обратной стороны решетки.

Настенную раму и решетку можно окрасить обычной краской на водной, масляной или эмалевой основе при помощи кисти, валика или краскопульта. Окраска распылением предпочтительнее, так как меньше вероятность блокировки отверстий решетки.

Ни в коем случае не окрашивайте решетку, не сняв с нее тканевую подкладку, так как просветы в ткани закупорятся и ухудшится звучание высоких частот.

### Этап 5 – прикрепление передней панели и решетки

Магниты басовиков и среднечастотного динамика соединены стальной пластиной. Ее назначение – защита от ударного повреждения при перевозке. Перед установкой передней панели удалите эту пластину, отвинтив центральный винт на СЧ динамике. Мы рекомендуем сохранить пластину, прокладку и винт на случай, если снова потребуются перевозка АС.

Ориентируйте переднюю панель так, чтобы входные клеммы находились ближе к кабелю. Убедитесь, что центральная часть панели ориентирована правильно. ВЧ и СЧ динамики должны находиться один над другим, при этом СЧ динамик должен быть ближе по высоте к уровню ушей. (рисунок 1)

Прикрепите 4 пластинки в нижних углах настенной рамы для выравнивания по вертикали и горизонтали. Поместите нижний конец передней панели в настенную раму, а верхний наклоните наружу на время подсоединения кабелей. Проверьте, соответствует ли состояние переключки подключения (для би-ваеринга переключки должны быть разомкнуты). Затем полностью вставьте панель на место и закрепите прилагаемыми винтами. Удалите пластинки. (рисунок 20)

Прежде чем вставлять решетку, снова прикрепите к ней ткань и разгладьте ее для удаления пузырьков. Если ткань не лежит плоско, снимите ее и распылите на обратную сторону решетки (а не на ткань)

немного аэрозольного клеящего вещества, например, 3M Spraymount.

## СДАЧА ЗАКАЗЧИКУ

По завершении работ впишите в дилерскую секцию Руководства по эксплуатации данные, указанные на упаковке передней панели, и передайте Руководство клиенту.

**EU DECLARATION OF CONFORMITY**

We,

**B&W Group Ltd.**

whose registered office is situated at

**Dale Road, Worthing, West Sussex, BN11 2BH, United Kingdom**

declare under our sole responsibility that the product:

**Signature 8NT**

complies with the EU Electro-Magnetic Compatibility (EMC) Directive 89/336/EEC, in pursuance of which the following standards have been applied:

EN 61000-6-1 : 2001

EN 61000-6-3 : 2001

EN 55020 : 2002

EN 55013 : 2001

and complies with the EU General Product Safety 2001/95/EC, in pursuance of which the following standard has been applied:

EN 60065 : 2002

This declaration attests that the manufacturing process quality control and product documentation accord with the need to assure continued compliance.

The attention of the user is drawn to any special measures regarding the use of this equipment that may be detailed in the owner's manual.

Signed:



G Edwards  
Executive Vice President, Operations  
B&W Group Ltd.

Figure 1

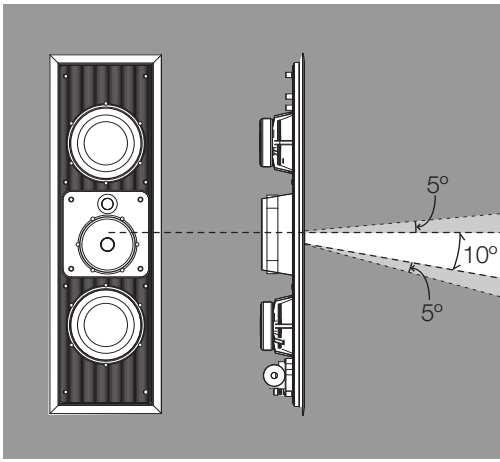


Figure 2

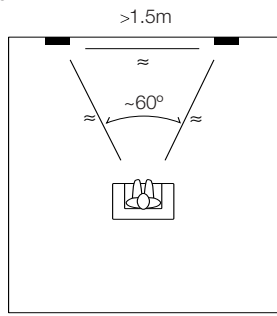


Figure 3

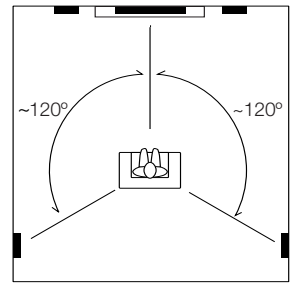


Figure 4

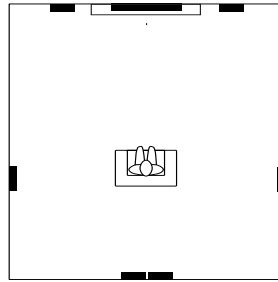


Figure 5

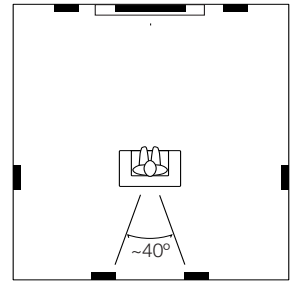


Figure 6

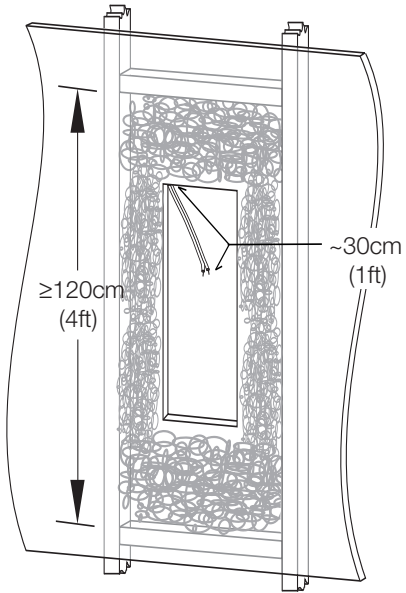


Figure 7

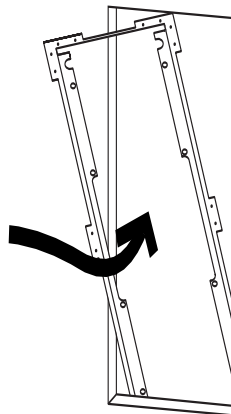


Figure 8

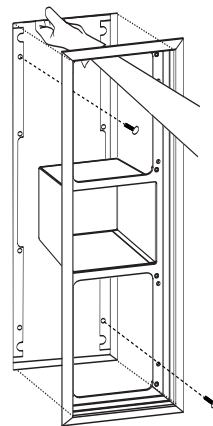


Figure 9

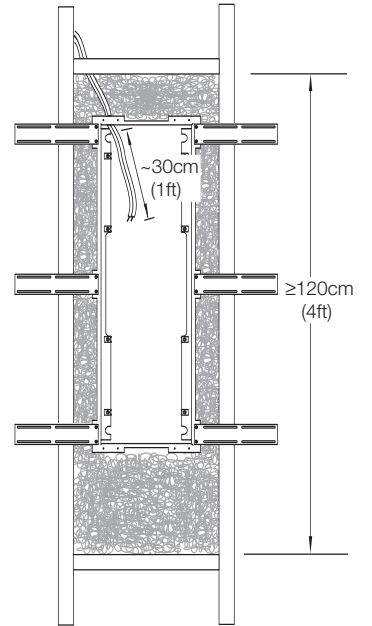


Figure 10

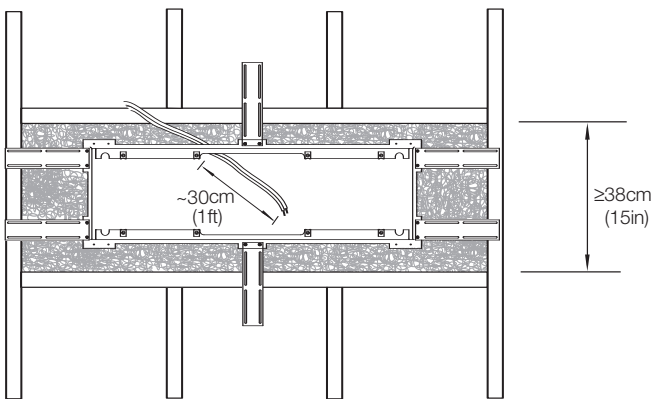


Figure 11

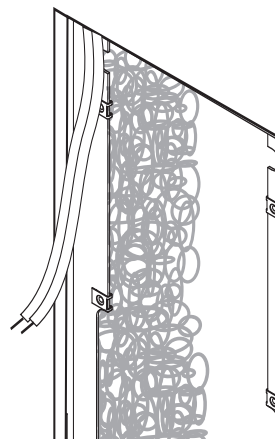


Figure 12

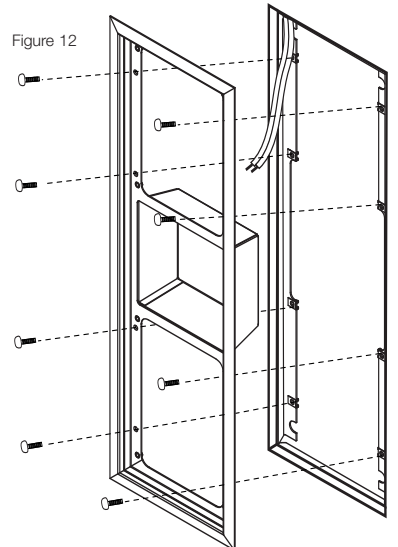




Figure 13

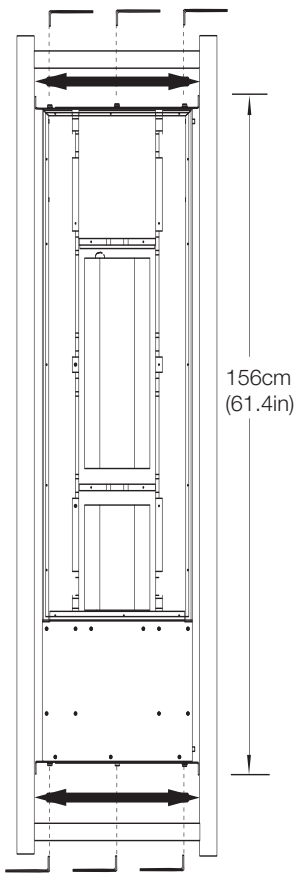


Figure 14

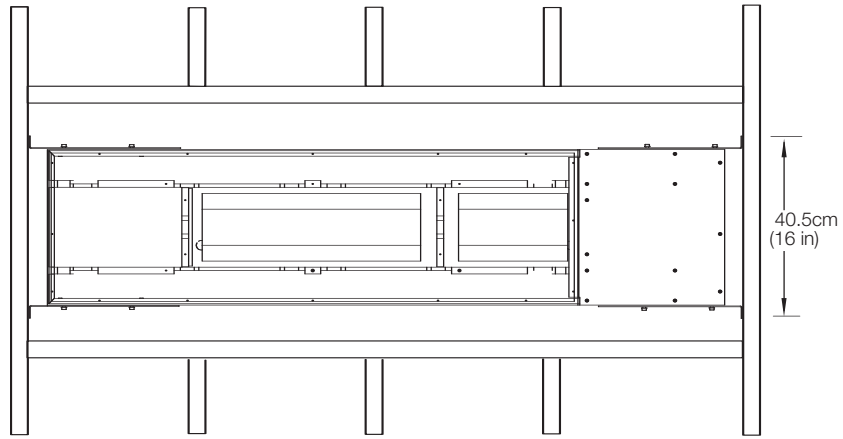


Figure 15

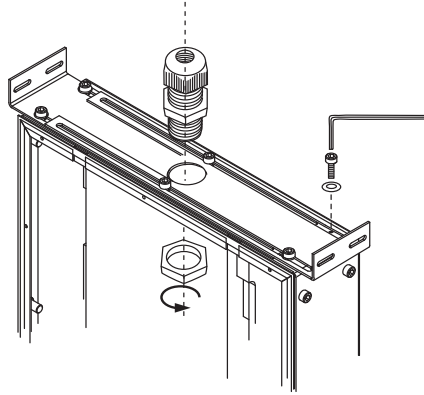


Figure 16

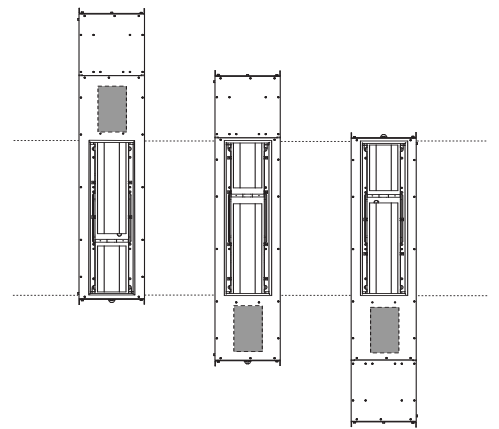


Figure 17

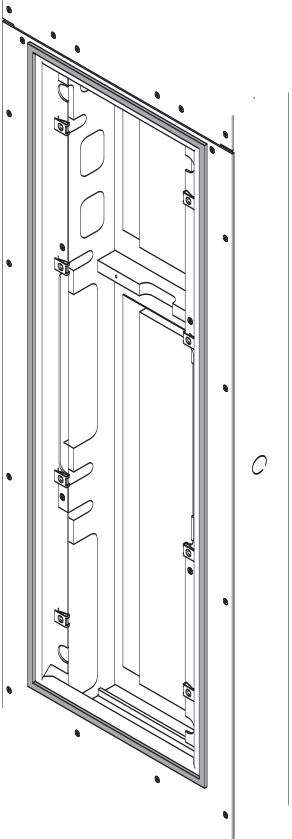


Figure 18

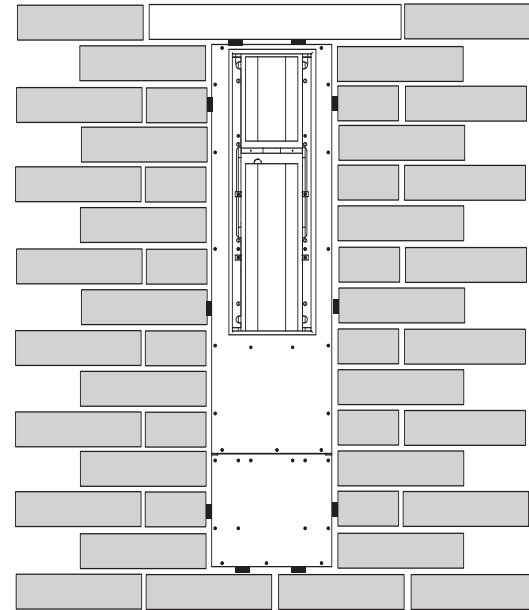


Figure 19

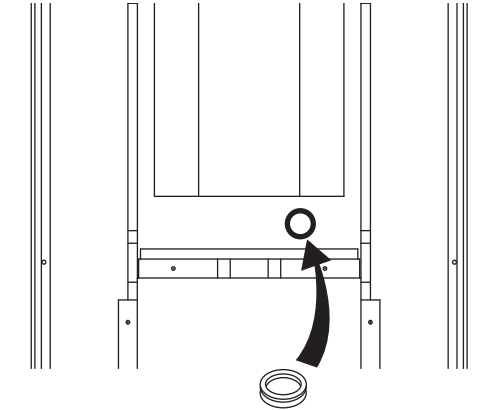
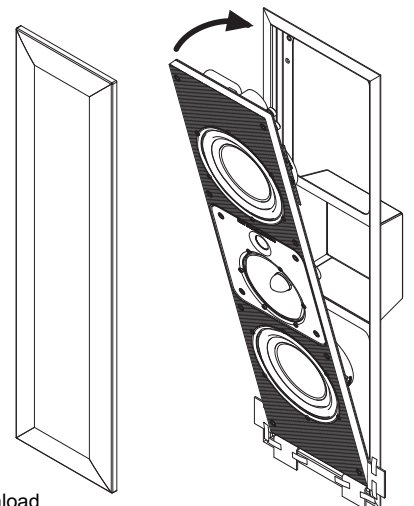


Figure 20



## **B&W** Bowers & Wilkins

B&W Group Ltd  
Dale Road  
Worthing West Sussex  
BN11 2BH England

T +44 (0) 1903 221800  
F +44 (0) 1903 221801  
info@bwgroup.com  
www.bwspeakers.com

B&W Group (UK Sales)  
T +44 1903 221 500  
E uksales@bwgroup.com

B&W Group North America  
T +1 978 664 2870  
E marketing@bwgroupusa.com

B&W Group Asia Ltd  
T +852 2 869 9916  
E info@bwgroup.hk

Kevlar is a registered trademark of DuPont.  
Nautilus is trademark of B&W Group Ltd.  
Copyright © B&W Group Ltd. E&OE  
Printed in UK.

## Free Manuals Download Website

<http://myh66.com>

<http://usermanuals.us>

<http://www.somanuals.com>

<http://www.4manuals.cc>

<http://www.manual-lib.com>

<http://www.404manual.com>

<http://www.luxmanual.com>

<http://aubethermostatmanual.com>

Golf course search by state

<http://golfingnear.com>

Email search by domain

<http://emailbydomain.com>

Auto manuals search

<http://auto.somanuals.com>

TV manuals search

<http://tv.somanuals.com>