



Figure 1a

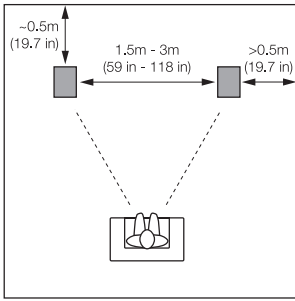


Figure 1b

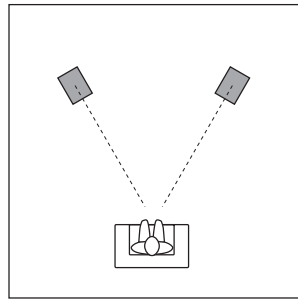


Figure 1c 5.1 Channels

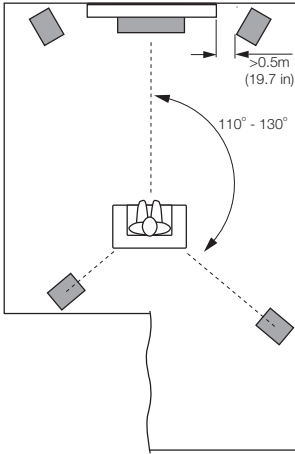


Figure 1d 6.1 Channels

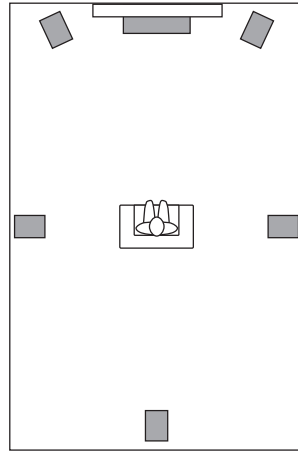


Figure 1e 7.1 Channels

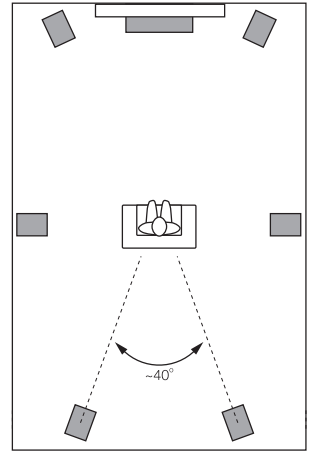


Figure 2a

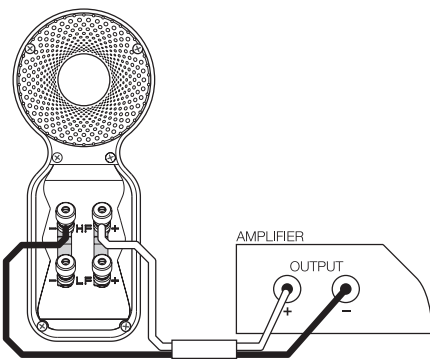


Figure 2b

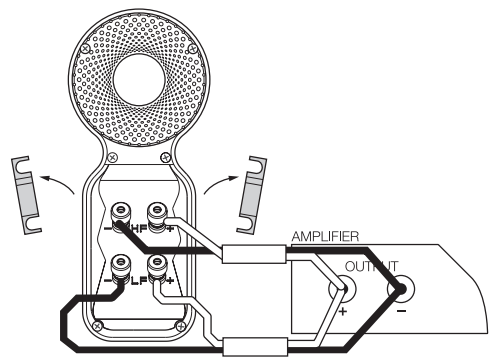


Figure 3a

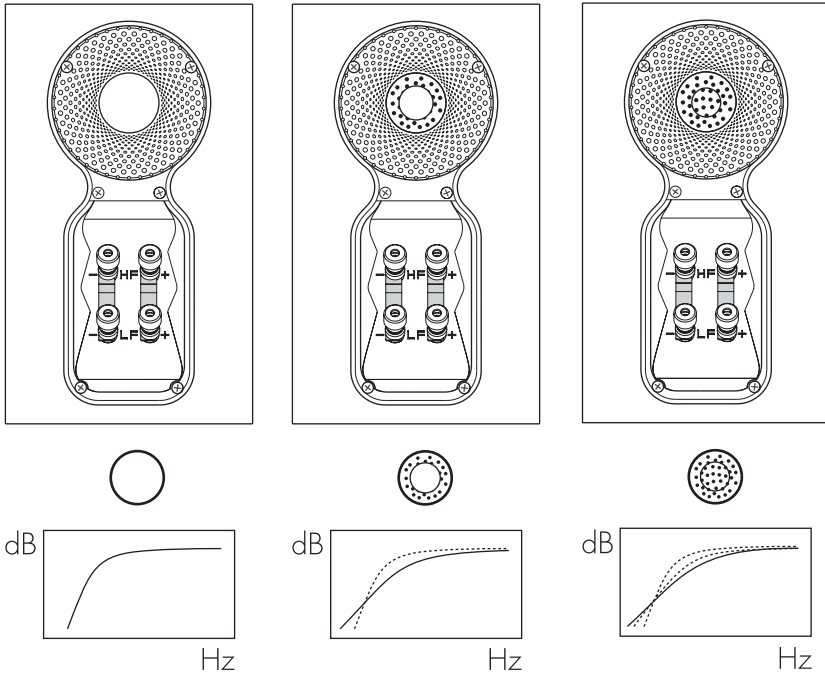
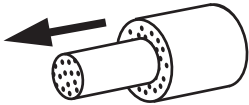


Figure 3b



Contents

English

Owner's Manual.....	2
Limited Warranty.....	3

Français

Manuel d'utilisation	4
Garantie limitée.....	6

Deutsch

Bedienungsanleitung.....	7
Garantie	9

Español

Manual de instrucciones	10
Garantía limitada.....	12

Português

Manual do utilizador....	13
Garantia limitada.....	15

Italiano

Manuale di istruzioni ...	16
Garanzia limitata	18

Nederlands

Handleiding	19
Garantie	20

Ελληνικά

Οδηγίες Χρήσεως	21
Περιορισμένη εγγύηση	23

Русский

Руководство по эксплуатации	25
Ограниченная гарантия.....	27

Česky

Návod k použití.....	28
Záruka	29

Magyar

Használati útmutató ...	30
Korlátozott garancia ..	32

Polski

Instrukcja użytkownika	33
Gwarancja	35

日本語

取扱説明書	36
有限保証	38

简体中文

用户手册	39
有限保修	40

繁體中文

用戶手冊	41
有限保修	42

한국어

사용설명서	43
보증에 대하여	44

EU Declaration of Conformity.....	46
-----------------------------------	----

Technical Specifications	47-48
--------------------------------	-------

English

Owner's manual

Dear customer,

Thank you for choosing Bowers & Wilkins. Please read this manual fully before unpacking and installing the product. It will help you to optimise its performance. B&W maintains a network of dedicated distributors in over 60 countries who will be able to help you should you have any problems your dealer cannot resolve.

Environmental Information



All B&W products are designed to comply with international directives on the Restriction of Hazardous Substances (RoHS) in electrical and electronic equipment and the disposal of Waste Electrical and Electronic Equipment (WEEE). These symbols indicate compliance and that the products must be appropriately recycled or processed in accordance with these directives. Consult your local waste disposal authority for guidance.

Carton Contents

Check in the carton for:

- 2 Two-part foam plugs.
- 8 Self-adhesive rubber pads.

Speaker Installation

The speakers are best used mounted on rigid floor-stands that locate the tweeters approximately at ear level when seated. Shelf or wall bracket mounting is an option but it provides less opportunity for optimising the sound through adjustment of speaker position.

The specific stand or wall mount used will affect the sound quality of the speakers. The B&W FS-700/CM stand is recommended.

If the speakers are to be placed on a shelf or furniture unit, the adhesive pads supplied may be attached to the underside of the cabinet.

Speaker Positioning

Adjustment of speaker position following initial installation will probably further improve the sound quality and is usually worthwhile.

In either stereo or home theatre installations try to ensure that the immediate surroundings of each speaker are similar in acoustic character. For example, if one speaker is adjacent to bare walls while the other is adjacent to soft furnishings and curtains, both the overall sound quality and the stereo image are likely to be compromised.

Conventional Stereo Systems

To begin with, the speakers should be positioned between 1.5m and 3m apart at two corners of an equilateral triangle completed by the listening area at the third corner. The speakers should be approximately 0.5m away from the back wall, and at

least 0.5m away from any side walls. Figure 1a illustrates this arrangement.

Home Theatre Systems

If the speakers are to be used for the front channels in a home theatre system they should be placed closer together than for 2-channel audio because the surround channels tend to widen the image. Positioning the speakers within approximately 0.5m of the sides of the screen will also help keep the sound image in scale with the visual image. The speakers' height should be somewhere between the centre of the screen and the height of the centre speaker. As with conventional stereo positioning, the speakers should ideally be at least 0.5m away from any side walls. If the speakers are preferred placed against the back wall and this location results in over emphasized bass, see the Fine Tuning section of this manual for information on using the foam plugs.

If the speakers are to be used for the surround channels in a home theatre system, position them as illustrated in Figures 1c to 1e according to the number of channels. To achieve even coverage over an extended listening area it is beneficial to raise the speakers above ear height.

Stray Magnetic Fields

The speaker drive units create stray magnetic fields that extend beyond the boundaries of the cabinet. We recommend you keep magnetically sensitive articles (television and computer screens, computer discs, audio and video tapes, swipe cards and the like) at least 0.5m from the speaker. LCD and plasma screens are not affected by magnetic fields.

Connections

All connections should be made with the equipment switched off.

There are 2 linked pairs of terminals on the back of the speaker. For conventional connection the terminal links should remain in place (as delivered) and just one pair of terminals connected to the amplifier. For bi-wire connection the terminal links should be removed and each pair of terminals connected to the amplifier independently. Bi-wiring can improve the resolution of low-frequency detail. Figures 2a and 2b illustrate conventional and bi-wire connection.

Ensure that positive terminals on the speaker (marked + and coloured red) are connected to the positive output terminal on the amplifier and that negative terminals on the speaker (marked – and coloured black) are connected to the negative output terminal on the amplifier. Incorrect connection can result in poor imaging and loss of bass.

Ask your dealer for advice when selecting speaker cable. Keep its total impedance below the maximum recommended in the speaker specification and use a low inductance cable to avoid attenuation of high frequencies.

Fine Tuning

Before fine tuning, make sure that all the connections in the installation are correct and secure.

Moving the speakers further from the walls will generally reduce the volume of bass. Space behind the speakers will also help to create an aural impression of depth. Conversely, moving the speakers closer to the walls will increase the volume of bass. If you want to reduce the volume of bass without moving the speakers further from the wall, fit the foam plugs or, for less severe bass reduction, the foam rings in the port tubes. Fitting a foam plug or ring in a port tube is illustrated in Figure 3.

If the bass seems uneven with frequency this will most probably be due to resonance modes in the listening room. Even small changes in the position of the speakers or the listening position can have a profound effect on how these resonances affect the sound. Try moving the listening position or locating the speakers along a different wall. The presence and position of large pieces of furniture can also influence resonance modes.

If the central image lacks focus, try moving the speakers closer together or angling them inward so that they point at a location just in front of the listening position. Figure 1b illustrates speakers angled inwards.

If the sound is too bright, increasing the amount of soft furnishing in the room (heavier curtains for example) may help balance the sound. Conversely, reducing the amount of soft furnishing may help brighten a dull sound.

Some rooms suffer from “flutter echoes” – echoes that “bounce” between parallel room boundaries. Flutter echoes can colour the sound of the speakers in the room. Test for flutter echoes by standing in the middle of the room and clapping your hands. Flutter echoes can be reduced by placing irregular shaped items or non-reflective surfaces, bookshelves, rugs or pictures for example, on one of the offending walls or floor.

Ensure that the speaker stands are upright and firm on the floor. Use carpet piercing spikes if appropriate and adjust them to take up any unevenness.

Running-in Period

The performance of the speaker will change subtly during the initial listening period. If the speaker has been stored in a cold environment, the damping compounds and suspension materials of the drive units will take some time to recover their correct mechanical properties. The drive unit suspensions will also loosen up during the first hours of use. The time taken for the speaker to achieve its intended performance will vary depending on previous storage conditions and how it is used. As a guide, allow up to a week for the temperature effects to stabilise and 15 hours of average use for the mechanical parts to attain their intended design characteristics.

However, longer run-in periods (as long as a month) have been reported and there is evidence to suggest that this has little to do with the speaker changing and more to do with the listener getting used to the new sound. This is especially so with highly revealing speakers such as these where there may be a significant increase in the amount of detail compared with what the listener has previously been used to; the

sound may at first appear too “up front” and perhaps a little hard. After an extended period of time the sound will seem to mellow, but without losing clarity and detail.

Aftercare

The cabinet surfaces usually only require dusting. If you wish to use an aerosol or other cleaner, remove the grille first by gently pulling it away from the cabinet. Spray aerosols onto the cleaning cloth, not directly onto the product. Test a small area first, as some cleaning products may damage some of the surfaces. Avoid products that are abrasive, or contain acid, alkali or anti-bacterial agents. Do not use cleaning agents on the drive units. The grille fabric may be cleaned with a normal clothes brush whilst the grille is detached from the cabinet. Avoid touching the drive units, especially the tweeter, as damage may result.

In order to avoid the risk of the surface finish cracking, keep the product away from sources of direct heat such as radiators and warm air vents. Whenever Bowers & Wilkins speakers are finished in real wood, the finest veneers are selected and treated with an ultra-violet resistant lacquer to minimise changes in colour over time. Nevertheless, like all natural materials, the veneer will respond to its environment and a degree of colour change is to be expected. The effect may be particularly noticeable where the area covered by the grille, or areas kept in shadow, change more slowly than other areas. Colour differences may be rectified by exposing all the veneer surfaces equally and evenly to sunlight until the colour is uniform. This process can take several days or even weeks, but may be accelerated by careful use of an ultra-violet lamp.

Limited Warranty

This product has been designed and manufactured to the highest quality standards. However, if something does go wrong with this product, B&W Group Ltd. and its national distributors warrant free of charge labour (exclusion may apply) and replacement parts in any country served by an official B&W distributor.

This limited warranty is valid for a period of five years from the date of purchase or two years for electronics including amplified loudspeakers.

Terms and Conditions

- 1 The warranty is limited to the repair of the equipment. Neither transportation, nor any other costs, nor any risk for removal, transportation and installation of products is covered by this warranty.
- 2 This warranty is only valid for the original owner. It is not transferable.
- 3 This warranty will not be applicable in cases other than defects in materials and/or workmanship at the time of purchase and will not be applicable:

- a. for damages caused by incorrect installation, connection or packing,
 - b. for damages caused by any use other than correct use described in the user manual, negligence, modifications, or use of parts that are not made or authorised by B&W,
 - c. for damages caused by faulty or unsuitable ancillary equipment,
 - d. for damages caused by accidents, lightning, water, fire heat, war, public disturbances or any other cause beyond the reasonable control of B&W and its appointed distributors,
 - e. for products whose serial number has been altered, deleted, removed or made illegible,
 - f. if repairs or modifications have been executed by an unauthorised person.
- 4 This guarantee complements any national/regional law obligations of dealers or national distributors and does not affect your statutory rights as a customer.

How to claim repairs under warranty

Should service be required, please follow the following procedure:

- 1 If the equipment is being used in the country of purchase, you should contact the B&W authorised dealer from whom the equipment was purchased.
- 2 If the equipment is being used outside the country of purchase, you should contact the B&W national distributor in the country of residence, who will advise where the equipment can be serviced. You can call B&W in the UK or visit our web site to get the contact details of your local distributor.

To validate your warranty, you will need to produce the warranty booklet completed and stamped by your dealer on the date of purchase. Alternatively, you will need the original sales invoice or other proof of ownership and date of purchase.

Français

Manuel d'utilisation

Cher Client,

Nous vous remercions d'avoir choisi B&W. Veuillez lire soigneusement ce manuel avant de déballer et d'installer vos enceintes acoustiques. Il vous aidera à en obtenir les performances optimales. B&W est distribué dans plus de 60 pays dans le monde entier, par l'intermédiaire de distributeurs spécialement sélectionnés ; ceux-ci pourront vous aider à résoudre d'éventuels problèmes ignorés par votre revendeur.

Information sur la protection de l'environnement



Les produits B&W sont conçus en conformité totale avec les nouvelles normes internationales concernant

l'interdiction d'utilisation de certaines substances dangereuses (RoHs) dans les équipements électriques et électroniques, ainsi que la possibilité de recyclage des matériaux utilisés (WEEE, pour Waste Electrical and Electronic Equipment). Le symbole du conteneur à ordures barré par une croix indique la compatibilité avec ces directives, et le fait que les appareils peuvent être correctement recyclés ou traités dans le respect total de ces normes. Consultez votre revendeur agréé pour toute information complémentaire à ce sujet.

Vérification du contenu de l'emballage

Vérifiez que le carton contienne bien :

- 2 tampons en mousse en deux parties
- 8 pieds en caoutchouc auto-adhésifs

Installation des enceintes

Les enceintes seront de préférence montées sur des pieds de sol rigides, positionnant les tweeters approximativement à la hauteur des oreilles des auditeurs assis. L'installation sur des étagères ou via des supports muraux est une option, qui ne permettra toutefois pas autant de souplesse quant à l'optimisation des résultats sonores en fonction de la position réelle des enceintes.

Le choix du pied de sol ou du support mural joue un rôle sur la qualité finale obtenue. Le pied de sol B&W FS-700/CM est recommandé.

Si les enceintes sont directement posées sur une étagère ou un meuble, les pieds en caoutchouc auto-adhésifs fournis pourront être utilisés sous chaque enceinte.

Choix de la position

Le réglage de la position des enceintes au moment de leur installation est susceptible d'améliorer grandement les résultats sonores, et constitue donc une première étape essentielle.

Qu'il s'agisse d'une installation stéréophonique ou multicanal Home Cinema, faites en sorte que l'environnement acoustique de chaque enceinte soit le plus identique possible, dans son caractère sonore. Par exemple, si une des enceintes est placée près

d'un mur lisse et nu, tandis que l'autre se trouve proche d'épais tissus et tapis, la qualité et l'équilibre stéréophonique finaux risquent fort d'être compromis.

Systèmes stéréophoniques conventionnels

Comme base de départ, placer les deux enceintes éloignées entre 1,5 et 3 mètres l'une de l'autre, formant ainsi les deux angles d'un triangle équilatéral dont le troisième angle sera la position d'écoute privilégiée. Les enceintes seront également éloignées d'environ 50 centimètres du mur arrière et des murs latéraux. La figure 1a illustre une telle installation.

Systèmes Home Cinema

Si les enceintes sont utilisées comme enceintes frontales principales dans une installation Home Cinema, elles doivent être plus rapprochées l'une de l'autre que dans une installation stéréophonique classique, ceci parce que les canaux arrière Surround ont tendance à agrandir l'image. Placez les deux enceintes à environ 50 cm des côtés de l'écran, afin de conserver une image sonore de taille similaire à celle de l'image visuelle. La hauteur de ces enceintes doit se situer entre le centre vertical de l'écran et celui de l'enceinte centrale. Comme ces enceintes sont généralement placées très près du mur arrière, cela a pour conséquence d'augmenter le niveau du grave : voir plus loin le paragraphe Réglage fin pour compenser ce phénomène, et utiliser éventuellement les tampons de mousse fournis.

Si les enceintes sont utilisées pour les voies arrière Surround du système Home Cinema, installez-les comme illustré sur les figures 1c à 1e suivant le nombre de canaux de l'installation. Pour obtenir la plus large zone de couverture sonore possible, il est d'autre part important que ces enceintes soient installées au-dessus des oreilles des spectateurs.

Champs magnétiques

Les haut-parleurs à l'intérieur de l'enceinte génèrent des champs magnétiques qui peuvent s'étendre au-delà du coffret de l'enceinte. Nous vous recommandons donc de tenir éloignés d'au moins 50 centimètres des enceintes les appareils sensibles à ces champs magnétiques (télévisions et moniteurs informatiques à tube cathodique, cassettes et bandes magnétiques audio et vidéo, cartes magnétiques, etc.). Les écrans de type plasma et LCD ne sont pas affectés par ces champs magnétiques.

Branchements

Tous les branchements doivent être effectués les appareils étant tous éteints.

Il y a 2 paires de prises réunies entre elles à l'arrière de chaque enceinte. Pour les branchements classiques, les connexions reliant les prises (comme installées à la livraison) doivent impérativement rester en place, une seule paire de prises étant alors reliée à l'amplificateur. En cas de bi-câblage, les liens seront retirés, et chaque paire de prises sera alors reliée à l'amplificateur de manière indépendante. Ce principe de bi-câblage permet d'améliorer la résolution sonore et les détails dans les fréquences graves. Les figures 2a et 2b illustrent les principes du mono et du bi-câblage.

Branchez la prise « positif » de l'enceinte (prise de couleur rouge, avec le repère « + ») sur la prise de sortie enceinte « positif » de l'amplificateur, et branchez la prise « négatif » (prise de couleur noire, avec le repère « - ») sur la prise « négatif » de l'amplificateur. Le non-respect de cette polarité plus/moins entraîne une image stéréophonique dégradée et une perte dans le grave.

Demandez conseil à votre revendeur pour le choix du câble utilisé. L'impédance totale de charge ne doit jamais être inférieure au minimum recommandé dans les spécifications, et le câble doit présenter une faible inductance, afin d'éviter toute atténuation des fréquences aiguës.

Réglage fin

Avant de procéder à ces réglages, vérifiez que tous les branchements sont correctement effectués, dans toute l'installation, et fermement sécurisés.

Éloigner les enceintes par rapport aux murs de la pièce a généralement pour effet de réduire le niveau général du grave. Un espace suffisant derrière les enceintes acoustiques permet également d'améliorer la sensation de profondeur de la reproduction sonore. Inversement, un rapprochement des enceintes par rapport aux cloisons de la pièce entraîne une augmentation du niveau du grave. Pour réduire le niveau de grave sans modifier la position des enceintes, utilisez les tampons de mousse fournis dans les événements de décompression, comme montré figure 3.

Si le niveau de grave vous paraît tout de même encore trop important, cela est généralement dû à des modes de résonances parasites dans la pièce d'écoute. Une modification, même légère, de la position des enceintes dans la pièce peut alors avoir pour effet des améliorations très sensibles. Essayez de placer les enceintes le long d'un autre mur de la pièce. Le déplacement des meubles les plus encombrants peut également sensiblement modifier les résultats sonores.

Si la focalisation centrale de l'image sonore est mauvaise, essayez de rapprocher les deux enceintes acoustiques, et/ou de modifier leur angle (plus fermé) par rapport à la zone centrale d'écoute privilégiée. La figure 1b illustre ces différentes modifications.

Si le son paraît trop brillant, ajoutez des meubles ou éléments amortissants dans la pièce (par exemple, des tapis plus nombreux ou épais). Inversement, réduisez l'influence de tels éléments si le son semble trop sourd ou éteint.

Certaines salles souffrent d'un phénomène de « rebond » des sons, sorte d'écho dû au renvoi du son entre des murs parallèles. Ces échos (« flutter », en anglais) peuvent colorer le son de manière importante. Une réverbération trop importante peut être détectée en se tenant au centre de la pièce et en tapant dans ses mains. Un tel défaut peut être éliminé en multipliant les surfaces de formes irrégulières dans la pièce, avec, par exemple, une ou plusieurs bibliothèques ou des meubles de taille plus importante, ainsi que des tableaux ou tapisseries fixés sur les murs.

Assurez-vous que les enceintes sont fermement posées sur le sol. Si celui-ci est recouvert de moquette, utilisez des pieds pointes et réglez-les soigneusement pour compenser les éventuelles inégalités du sol.

Période de rodage

Les performances d'une enceinte acoustique se modifient subtilement pendant une période de rodage initiale. Si l'enceinte a été stockée dans un environnement de faible température, ses composants amortissants et les suspensions des haut-parleurs vont demander un peu de temps avant de retrouver leurs qualités mécaniques optimales. De plus, ces suspensions vont également se « libérer » pendant les premières heures d'utilisation. Ce temps de rodage est variable, suivant la température de stockage et la manière dont vous utilisez les enceintes. En moyenne, comptez un week-end pour que les effets de la température se stabilisent, et une quinzaine d'heures d'utilisation normale pour que tous les composants mécaniques atteignent le fonctionnement parfait correspondant à leur conception mécanique.

Cependant, des périodes plus longues (jusqu'à un mois) ont été relevées, mais il semble que cela soit dû un peu à cause du rodage des enceintes, et beaucoup parce que l'auditeur doit se familiariser avec le nouveau son ! C'est particulièrement le cas ici, avec des enceintes extrêmement définies, capables de reproduire un niveau de détail exceptionnellement élevé, plus que ce à quoi s'attendait l'auditeur ; simplement, au début, ce son peut sembler un tout petit peu « projeté » en avant et brillant. À la fin de la période de rodage, le son semblera plus neutre, sans rien perdre pour autant de ses qualités en terme de transparence et de sens du détail.

Entretien

Le coffret de l'enceinte ne requiert qu'un dépoussiérage régulier. Si vous désirez utiliser un nettoyeur antistatique en pulvérisateur, pulvérisez ce produit uniquement sur le chiffon de dépoussiérage, jamais directement sur l'enceinte acoustique. Faites tout d'abord un essai sur une petite surface peu visible, car certains produits peuvent entraîner des variations de teinte. N'utilisez pas de produits abrasifs, ou contenant de l'acide, de l'alcali ou des agents antibactériens. N'utilisez jamais aucun produit directement sur la surface des membranes des haut-parleurs. La grille frontale peut être nettoyée avec une brosse à habit classique, après avoir retiré la grille de l'enceinte. Évitez de toucher les haut-parleurs, et notamment le tweeter, ce qui pourrait les endommager irréremédiablement.

Afin d'éviter tout risque de craquellement de la surface des enceintes, ne les exposez jamais à une source de chaleur directe, comme les radiateurs ou les bouches de chaleur pulsantes. Parce que les enceintes Bowers & Wilkins utilisent un placage en essence de bois véritable, les vernis les plus fins ont été sélectionnés, intégrant une laque résistance aux ultra-violet afin de minimiser les changements de teinte au fil du temps. Cependant, comme tous les matériaux naturels, le

vernis interagit avec les éléments extérieurs, et une variation de couleur peut apparaître petit à petit. Cet effet est d'autant plus sensible si là où les surfaces de l'enceinte sont recouvertes par le cache frontal, ou restent en permanence dans l'ombre. Les variations de teinte sont alors moins rapides. D'éventuelles différences de teinte peuvent alors être compensées en exposant à la lumière toutes les surfaces vernies de manière égale, et même, pour certaines, directement à la lumière du soleil, afin d'égaliser la couleur des surfaces. Ce procédé peut nécessiter plusieurs jours, voire semaines, mais peut-être en partie accélérée en utilisant – avec précaution – une lampe à ultra-violet.

Garantie limitée

Ce produit a été conçu et fabriqué en vertu des normes de qualité les plus rigoureuses. Toutefois, en cas de problème, B&W Group Ltd. et ses distributeurs nationaux garantissent une main d'œuvre (exclusions possibles) et des pièces de rechange gratuites dans tout pays desservi par un distributeur agréé de B&W.

Cette garantie limitée est valide pour une période de cinq ans à compter de la date d'achat ou une période de deux ans pour les composants électroniques, y compris les haut-parleurs amplifiés.

Conditions

- 1 La garantie est limitée à la réparation de l'équipement. Les frais de transport ou autres, les risques associés à l'enlèvement, au transport et à l'installation des produits ne sont pas couverts par cette garantie.
- 2 La garantie est exclusivement réservée au propriétaire d'origine et ne peut pas être transférée.
- 3 Cette garantie ne s'applique qu'aux produits faisant l'objet de vices de matériaux et/ou de construction au moment de l'achat et ne sera pas applicable dans les cas suivants :
 - a. détériorations entraînées par une installation, connexion ou un emballage incorrect,
 - b. détériorations entraînées par un usage autre que l'usage correct décrit dans le manuel de l'utilisateur, la négligence, des modifications ou l'usage de pièces qui ne sont pas fabriquées ou agréées par B&W,
 - c. détériorations entraînées par un équipement auxiliaire défectueux ou qui ne convient pas,
 - d. détériorations résultant de : accidents, foudre, eau, chaleur, guerre, troubles de l'ordre public ou autre cause ne relevant pas du contrôle raisonnable de B&W ou de ses distributeurs agréés,
 - e. les produits dont le numéro de série a été modifié, effacé, éliminé ou rendu illisible,
 - f. les produits qui ont été réparés ou modifiés par une personne non autorisée.

- 4 Cette garantie vient en complément à toute obligation juridique nationale / régionale des revendeurs ou distributeurs nationaux et n'affecte pas vos droits statutaires en tant que client.

Comment faire une réclamation en vertu de la garantie

Veillez respecter la procédure ci-dessous, si vous souhaitez faire une réclamation sous garantie :

- 1 Si l'équipement est utilisé dans le pays d'achat, veuillez contacter le distributeur agréé de B&W qui a vendu l'équipement.
- 2 Si l'équipement est utilisé dans un pays autre que le pays d'achat, veuillez contacter le distributeur national B&W du pays de résidence, qui vous indiquera où vous pouvez faire réparer l'équipement. Vous pouvez appeler B&W au Royaume-Uni ou consulter notre site Web pour obtenir les coordonnées de votre distributeur local.

Afin de valider votre garantie, vous devrez présenter ce livret de garantie qui aura été rempli et tamponné par votre revendeur le jour de l'achat. En l'absence de ce livret, vous devrez présenter l'original de la facture commerciale ou une autre preuve d'achat et de la date d'achat.

Deutsch

Bedienungsanleitung

Sehr geehrte Kundin, sehr geehrter Kunde,

vielen Dank, dass Sie sich für die Marke B&W entschieden haben. Bitte lesen Sie sich diese Bedienungsanleitung vor dem Auspacken und der Installation des Produktes genau durch. Dies wird Ihnen bei der optimalen Nutzung des Systems helfen. B&W liefert in über 60 Länder und verfügt über ein weites Netz erfahrener Distributoren, die Ihnen weiterhelfen, auch wenn der Händler Ihr Problem nicht lösen kann.

Umweltinformation



B&W-Produkte entsprechen den internationalen Richtlinien über die Beschränkung der Verwendung bestimmter gefährlicher Stoffe in Elektro- und Elektronikgeräten (Restriction of Hazardous Substances (kurz RoHS genannt)) und über Elektro- und Elektronik-Altgeräte (Waste Electrical and Electronic Equipment (WEEE)). Die durchgestrichene Mülltonne steht für deren Einhaltung und besagt, dass die Produkte ordnungsgemäß recycelt oder diesen Richtlinien entsprechend entsorgt werden müssen.

Kartoninhalt

Im Versandkarton liegen:

- 2 zweiteilige Schaumstoffeinsätze.
- 8 selbstklebende GummifüÙe.

Aufstellen der Lautsprecher

Am besten montieren Sie die Lautsprecher auf stabilen Ständern, so dass sich die Hochtöner etwa in Ohrhöhe befinden, wenn Sie sitzen. Sie können die Lautsprecher auch in einem Regal einsetzen oder an der Wand montieren, jedoch haben Sie dann weniger Möglichkeiten, den Klang durch Anpassen der Lautsprecherposition zu optimieren.

Der spezielle Ständer oder die verwendete Wandhalterung beeinflussen die Klangqualität der Lautsprecher. Wir empfehlen den FS-700/CM von B&W.

Sollen die Lautsprecher auf ein Regal oder ein Möbelstück gestellt werden, so befestigen Sie die zum Lieferumfang gehörenden selbstklebenden FüÙe an der Gehäuseunterseite.

Positionierung der Lautsprecher

In der Regel führt eine weitere Optimierung der Lautsprecherposition zu einer Verbesserung der Klangqualität und ist daher sinnvoll.

Versuchen Sie sowohl bei Stereo- als auch bei Heimkinoinstallationen sicherzustellen, dass sich die direkte akustische Umgebung aller Lautsprecher ähnelt. Befindet sich beispielsweise ein Lautsprecher in der Nähe einer kahlen Wand, während der andere Lautsprecher von weichen Einrichtungsgegenständen und Vorhängen umgeben ist, so leiden darunter die Klangqualität und das Stereoklangbild.

Herkömmliche Stereosysteme

Zunächst sind die Lautsprecher in einem Abstand von 1,5 bis 3 m in zwei Ecken eines gleichseitigen Dreiecks zu platzieren, das an der dritten Ecke durch den Hörbereich vervollständigt wird. Der Abstand zur Rückwand sollte ca. 0,5 m, der Abstand zu den Seitenwänden mindestens 0,5 m betragen. In Figure (Abb.) 1a ist diese Anordnung dargestellt.

Heimkinosysteme

Werden die Lautsprecher für die Frontkanäle eines Heimkinosystems genutzt, so sollten die Lautsprecher näher zusammengestellt werden als bei 2-Kanal-Audiosystemen, da die Surroundkanäle zu einer Erweiterung des Klangbildes führen. Eine Positionierung der Lautsprecher innerhalb von ungefähr 0,5 m zu den Seiten des Bildschirms ist darüber hinaus sehr hilfreich, um das Klangbild optimal an das visuelle Bild anzupassen. Die Lautsprecherhöhe sollte zwischen der Bildschirmmitte und der Höhe des Centerlautsprechers liegen. Wie bei der Positionierung in konventionellen Stereosystemen sollten die Lautsprecher einen Abstand von ungefähr 0,5 m von der Rückwand haben und einen Mindestabstand von 0,5 m zu den Seitenwänden. Sollen die Lautsprecher an die Rückwand gestellt werden und führt dies zu einem zu starken Bass, so erhalten Sie unter „Feinabstimmung“ in dieser Bedienungsanleitung Hinweise zur Nutzung der Schaumstoffeinsätze.

Werden die Lautsprecher für die Surroundkanäle in einem Heimkinosystem genutzt, positionieren Sie sie entsprechend der Anzahl der Kanäle (siehe Figures (Abb.) 1c bis 1e). Um eine harmonische Wiedergabe über einen großen Hörbereich zu erzielen, sollten die Lautsprecher über Ohrhöhe angebracht werden.

Magnetische Streufelder

Die Lautsprecherchassis erzeugen ein magnetisches Streufeld, das über die Gehäusegrenzen hinaus reicht. Daher empfehlen wir, einen Mindestabstand von 0,5 m zwischen magnetisch empfindlichen Artikeln (Fernseh- und Computerbildschirmen, Discs, Audio- und Videobändern, Scheckkarten usw.) und dem Lautsprecher zu bewahren. LCD- und Plasma-Bildschirme werden von magnetischen Streufeldern nicht beeinflusst.

Anschließen der Lautsprecher

Schalten Sie alle Geräte vor dem Anschließen ab.

An der Lautsprecherrückseite sind jeweils zwei Anschlussklemmen über Brücken miteinander verbunden. Im konventionellen Betrieb bleiben die Brücken (wie bei der Lieferung) in ihrer Position, und nur ein Anschlussklemmenpaar wird an den Verstärker angeschlossen. Sollen die Lautsprecher im Bi-Wiring-Verfahren betrieben werden, so sind zunächst die Brücken zu entfernen, da beim Bi-Wiring alle vier Anschlussklemmen mit dem Verstärker verbunden werden. Durch Bi-Wiring wird die Detailtreue im Tieftonbereich verbessert. In den Figures (Abb.) 2a und 2b ist dargestellt, wie die Lautsprecher für den konventionellen Betrieb und im Bi-Wiring-Verfahren anzuschließen sind.

Stellen Sie sicher, dass die positiven (roten und mit + gekennzeichneten) Anschlussklemmen am Lautsprecher mit dem positiven Ausgang am Verstärker und die negativen (schwarzen und mit - gekennzeichneten) Anschlussklemmen mit dem negativen Ausgang am Verstärker verbunden werden. Ein nicht korrektes Anschließen der Kabel kann zu einer Verschlechterung des Klangbildes und zu Bassverlusten führen.

Lassen Sie sich bei der Auswahl der Lautsprecherkabel von Ihrem autorisierten Fachhändler beraten. Die Gesamtimpedanz sollte unterhalb der in den Technischen Daten angegebenen maximalen Kabelimpedanz liegen. Insbesondere sollte das zum Hochtöner führende Kabel eine geringe Induktivität besitzen, da sehr hohe Töne sonst gedämpft werden.

Feinabstimmung

Vergewissern Sie sich vor der Feinabstimmung Ihres Systems noch einmal, dass alle Verbindungen richtig hergestellt wurden und alle Kabel ordnungsgemäß angeschlossen sind.

Ein größerer Abstand zwischen Lautsprechern und Wänden führt zu einer Reduzierung des Bassniveaus. Der Raum hinter den Lautsprechern schafft auch einen Eindruck der Tiefe. Umgekehrt wird das Bassniveau erhöht, wenn die Lautsprecher näher an die Wände gestellt werden. Möchten Sie das Bassniveau reduzieren, ohne den Abstand zwischen Lautsprechern und Wand zu vergrößern, setzen Sie die Schaumstoffeinsätze oder – wenn Sie eine geringere Reduzierung des Bassniveaus wünschen – nur die Schaumstoffringe in die Bassreflexöffnungen ein (siehe Figure (Abb.) 3).

Steht das Bassniveau nicht im Einklang mit der Frequenz, so ist dies auf starke Resonanzen im Raum zurückzuführen. Selbst kleinste Änderungen bei der Lautsprecherpositionierung bzw. in der Hörposition können eine erhebliche Wirkung auf die wahrgenommene Klangqualität haben. So ändert sich die Klangqualität beispielsweise, wenn Sie die Hörposition verändern oder die Lautsprecher an eine andere Wand gestellt werden. Auch das Vorhandensein großer Möbelstücke und deren Position können erhebliche Auswirkungen haben.

Ist das Klangbild in der Mitte schlecht, stellen Sie die Lautsprecher näher zusammen oder so auf, dass sie in Richtung Hörbereich zeigen (siehe Figure (Abb.) 1b).

Ist der Klang zu schrill, hilft die Verwendung weicher Einrichtungsgegenstände (wie z.B. schwerer Vorhänge). Umgekehrt sollte man bei dumpfem, leblosem Klang die Verwendung solcher Einrichtungsgegenstände auf ein Minimum reduzieren.

In einigen Räumen treten Flatterechos – also Echos, die zwischen parallelen Wänden mehrfach hin und her reflektiert werden – auf. Flatterechos können den Klang der Lautsprecher im Raum verfärbt. Prüfen Sie den Raum auf Mehrfachechos, indem Sie sich in die Mitte des Raumes stellen und in die Hände klatschen. Flatterechos können durch unregelmäßige Gegenstände oder nicht-reflektierende Oberflächen, Regale, Bilder usw. an einer der parallelen Wände reduziert werden.

Stellen Sie sicher, dass die Lautsprecherständer aufrecht und fest auf dem Boden stehen. Liegt unter den Lautsprechern Teppich(boden), verwenden Sie durch den Boden durchgehende Spikes und passen diese so an, dass alle Unebenheiten des Bodens ausgeglichen werden.

Einlaufphase

In der Einlaufphase gibt es feine Unterschiede in der Wiedergabequalität des Lautsprechers. Wurde er in einer kühlen Umgebung gelagert, so wird es einige Zeit dauern, bis die Dämpfungskomponenten und die für die Aufhängung der Chassis eingesetzten Werkstoffe ihre optimalen mechanischen Eigenschaften besitzen. Die Aufhängung der Chassis wird mit den ersten Betriebsstunden beweglicher. Die Zeit, die der Lautsprecher benötigt, um seine maximale Leistungsfähigkeit zu entwickeln, schwankt abhängig von den vorherigen Lager- und Einsatzbedingungen. Grundsätzlich kann man sagen, dass es eine Woche dauert, bis sich die Lautsprecher nach Temperatureinwirkungen stabilisiert haben. 15 Betriebsstunden sind erforderlich, bis die mechanischen Teile ihre Funktion, wie bei der Konstruktion festgelegt, erfüllen können.

Jedoch ist uns schon von längeren Einlaufphasen (bis zu einem Monat) berichtet worden. Man kann aber davon ausgehen, dass dieser Eindruck eher mit dem Hörer zu tun hat, der aufgrund der hochwertigen Klangqualität dieser Lautsprecher jetzt Details wahrnimmt, die vorher für ihn nicht hörbar waren. Der Klang mag ihm zunächst vielleicht etwas hart erscheinen. Aber nach geraumer Zeit wird er weicher, ohne dabei an Detailtreue zu verlieren.

Pflege

Die Gehäuseoberfläche muss in der Regel nur abgestaubt werden. Bei Verwendung eines Aerosol- oder sonstigen Reinigers entfernen Sie zunächst vorsichtig die Abdeckung vom Gehäuse. Sprühen Sie den Reiniger auf ein Tuch, niemals direkt auf das Gehäuse. Der Stoff kann nach dem Entfernen der Abdeckung mit einer normalen Kleiderbürste gesäubert werden. Vermeiden Sie es, die Lautsprecherchassis zu berühren, da dies, vor allem beim Hochtöner, zu Beschädigungen führen kann.

Sie können Rissen vorbeugen, indem Sie einen ausreichenden Abstand zwischen den Lautsprechern und direkten Wärmequellen (z. B. Heizkörpern und Warmluftventilatoren) halten. Für die Gehäuseoberfläche hat Bowers & Wilkins feinstes Echtholz furnier verwendet, das zur Minimierung von Farbveränderungen mit einem Speziallack behandelt worden ist. Wie alle Naturwerkstoffe reagiert das Furnier auf die Umgebung, so dass kleine Farbveränderungen in der Regel nicht ausbleiben. Beispielsweise ändern die unter der Abdeckung oder die im Schatten befindlichen Bereiche ihre Farbe langsamer als andere. Solche Farbunterschiede können ausgeglichen werden, indem Sie alle Furnieroberflächen gleichmäßig dem Sonnenlicht aussetzen, bis die Farbe wieder einheitlich ist. Dieser Prozess kann mehrere Tage oder sogar Wochen dauern, lässt sich aber durch den vorsichtigen Einsatz einer UV-Lampe beschleunigen.

Garantie

Dieses Produkt wurde nach den höchsten Qualitätsstandards entwickelt und hergestellt. Sollte dennoch der unwahrscheinliche Fall eintreten, dass Sie als Kunde Grund zur Reklamation haben, werden die B&W Group Ltd. und ihre nationalen Vertriebsorganisationen das fehlerhafte Produkt ohne Berechnung der Arbeits- und Materialkosten (abgesehen von einigen Ausnahmen) in jedem Land, in dem eine offizielle B&W-Vertriebsorganisation vertreten ist, reparieren.

Die Garantiezeit beträgt fünf Jahre ab Kaufdatum bzw. zwei Jahre ab Aktivlautsprecher und elektronische Bauteile. Beachten Sie auch die Garantiebedingungen der B&W Group Germany GmbH.

Garantiebedingungen

1. Die Garantie ist auf die Reparatur der Geräte beschränkt. Weder der Transport noch sonstige Kosten, noch das Risiko des Ausbaus, des Transports und der Installation der Produkte wird von dieser Garantie abgedeckt.
2. Diese Garantie gilt nur für Fabrikations- und/oder Materialfehler, die bereits zum Zeitpunkt des Kaufs vorlagen und nicht:
 - a. bei Schäden durch unfachmännische Installation, falsches Anschließen oder unsachgemäßes Verpacken,
 - b. bei Schäden, die auf einen nicht in der Bedienungsanleitung genannten Einsatzzweck, auf Fahrlässigkeit, Modifikationen oder die Verwendung von Teilen zurückzuführen sind, die nicht von B&W hergestellt bzw. zugelassen wurden,
 - c. bei Schäden durch defekte oder ungeeignete Zusatzgeräte,
 - d. bei Schäden durch Unfälle, Blitzschlag, Wasser, Feuer, Hitze, Krieg, öffentliche Unruhen oder sonstige Ereignisse, die nicht der Kontrolle von B&W und seinen Vertriebsorganisationen unterliegen,
 - e. für Produkte, deren Seriennummern geändert, gelöscht, entfernt oder unleserlich gemacht wurden,
 - f. wenn Reparaturen oder Modifikationen von einem Nichtfachmann durchgeführt wurden.
3. Diese Garantie ergänzt die nationalen/regionalen gesetzlichen Verpflichtungen der Händler bzw. der nationalen Vertriebsorganisationen und schränkt in keiner Weise die gesetzlichen Rechte, die Sie als Kunde haben, ein.

Inanspruchnahme von Garantieleistungen

Sollten Sie unseren Service in Anspruch nehmen müssen, gehen Sie bitte folgendermaßen vor:

1. Befindet sich das Gerät in dem Land, in dem Sie es gekauft haben, setzen Sie sich mit Ihrem autorisierten B&W-Fachhändler in Verbindung.

2. Befindet sich das Gerät außerhalb des Landes, in dem Sie es gekauft haben, wenden Sie sich bitte an die nationale B&W-Vertriebsorganisation des Landes, in dem Sie leben. Diese wird Ihnen Auskunft darüber geben, wo Sie das Gerät reparieren lassen können. Die Adresse der für das jeweilige Land zuständigen Vertriebsorganisation erhalten Sie bei B&W in Großbritannien oder über unsere Webseite.

Garantieleistungen werden nur nach Vorlage des Garantie-Booklets (vollständig ausgefüllt und mit dem Händlerstempel und dem Kaufdatum versehen) erbracht. Alternativ können Sie die Originalrechnung oder einen anderen, mit Kaufdatum versehenen Beleg einreichen, der Sie als Eigentümer des Gerätes ausweist.

Español

Manual de instrucciones

Estimado cliente:

Gracias por elegir B&W. Le rogamos que lea la totalidad de este manual antes de desembalar e instalar el producto ya que ello le ayudará a optimizar las prestaciones de este último. B&W mantiene una red de importadores altamente motivados en más de 60 países que podrán ayudarle en el caso de que se produzca algún problema que no pueda ser resuelto por su distribuidor especializado.

Información Relativa a la Protección del Medio Ambiente



Los productos B&W han sido diseñados para satisfacer la normativa internacional relativa a la Restricción del Uso de

Sustancias Peligrosas (RoHS) en equipos eléctricos y electrónicos y la eliminación de Desperdicios Referentes a Equipos Eléctricos y Electrónicos (WEEE). El símbolo con el cubo de la basura indica el pleno cumplimiento de estas directrices y que los productos correspondientes deben ser reciclados o procesados adecuadamente en concordancia con las mismas.

La Caja del Embalaje Contiene

Verifique que en el embalaje figuren los siguientes elementos:

- 2 tapones de espuma de dos partes
- 8 tacos de goma autoadhesivos

Instalación de las Cajas Acústicas

Las cajas acústicas funcionarán mejor ubicadas encima de soportes de pie que sitúen los altavoces de agudos de las mismas aproximadamente a la altura de los oídos del usuario cuando éste esté sentado. El montaje sobre estanterías o soportes de pared puede contemplarse opcionalmente pero proporciona menos libertad a la hora de optimizar el sonido mediante el ajuste de la posición de la caja acústica.

El pie o soporte de pared que se utilice afectará a la calidad sonora de las cajas acústicas. En este sentido, la compra del pie FS-700/CM de B&W es particularmente recomendada.

Si las cajas acústicas van a ser ubicadas sobre una estantería o en un mueble, deberían colocarse los tacos autoadhesivos suministrados de serie en la parte inferior del recinto de las mismas.

Colocación de la Cajas Acústicas

Es muy probable que el ajuste de la posición de la caja acústica una vez llevada a cabo la instalación inicial de la misma mejore la calidad sonora, por lo que resulta completamente recomendable.

Tanto en instalaciones de audio estéreo como de Cine en Casa, intente asegurarse de que las zonas que

rodean inmediatamente a cada caja acústica sean similares desde el punto de vista acústico. Por ejemplo, si una caja acústica está junto a una pared desnuda mientras que la otra está cerca de mobiliario y cortinas blandos, es más que probable que tanto la calidad sonora global como la imagen estereofónica queden seriamente comprometidas.

Sistemas Estereofónicos Convencionales

Para empezar, las cajas acústicas deberían colocarse, separadas entre sí de 1'5 a 3 metros, en los dos vértices de un triángulo equilátero cuyo tercer vértice esté situado en el punto de escucha. Las cajas deberían separarse aproximadamente 0'5 metros de la pared posterior y al menos 0'5 metros de cualquier pared lateral. En la Figura 1a se muestra esta disposición.

Sistemas de Cine en Casa

Si las cajas acústicas van a ser utilizadas para los canales frontales (principales) de un sistema de Cine en Casa, deberían estar más cerca entre sí que en un equipo estereofónico de 2 canales porque los canales de sonido envolvente tienden a ensanchar la imagen sonora. La colocación de las cajas acústicas a unos 0'5 metros de distancia de cada lado de la pantalla de visualización también ayudará a que la imagen del sonido envolvente esté proporcionada con respecto a la imagen visual. En cuanto a la altura de las cajas acústicas, debería estar en un punto intermedio entre el centro de la pantalla y la altura de la caja acústica central. Al igual que sucede con el posicionado en sistemas estereofónicos convencionales, idealmente las cajas acústicas deberían estar separadas unos 0'5 metros de la pared posterior y al menos 0'5 metros de cualquier pared lateral. Si se prefiere colocar las cajas acústicas contra la pared posterior y esta ubicación provoca un realce excesivo de los graves, dirijase a la sección "Ajuste Fino" del presente manual para obtener información sobre cómo utilizar los tapones de espuma.

Si las cajas acústicas van a ser utilizadas para reproducir los canales de efectos de un sistema de Cine en Casa, colóquelas tal y como se muestra en las Figuras 1c a 1e en función del número de canales del mismo. Para lograr una cobertura uniforme a lo largo de un área de escucha de gran extensión, resulta beneficioso elevar las cajas acústicas por encima de la altura del oído.

Campos Magnéticos Parásitos

Los altavoces de las cajas acústicas crean campos magnéticos parásitos que se extienden más allá de las fronteras físicas del recinto. Es por ello que le recomendamos que aleje todos aquellos objetos magnéticamente sensibles (pantallas de televisor y ordenador basadas en tubos de rayos catódicos, discos de ordenador, cintas de audio y vídeo, tarjetas 10 con banda magnética y cosas por el estilo) al menos 0'5 metros de la caja acústica.

Conexiones

Todas las conexiones deberían realizarse con el equipo desconectado.

En la parte posterior de la caja acústica hay dos pares de terminales de conexión unidos entre sí con sendos puentes. Para realizar una conexión convencional, dichos puentes deberían permanecer en su lugar (situación original, es decir de fábrica) y por tanto solamente deberían conectarse un par de terminales al amplificador. Para la conexión en bicableado, los puentes deberían retirarse para poder conectar por separado cada par de terminales al amplificador. El bicableado puede mejorar la resolución de los detalles de baja frecuencia. Las Figuras 2a y 2b ilustran la conexión convencional y en bicableado.

Asegúrese de que los terminales positivos de la caja acústica (marcados como + y de color rojo) son conectados al terminal de salida positivo del amplificador y que los terminales negativos de la caja acústica (marcados como - y de color negro) son conectados al terminal de salida negativo del amplificador. Una conexión incorrecta podría tener como resultado una imagen sonora pobre y una pérdida de graves.

Consulte a su distribuidor para que le aconseje a la hora de elegir el cable de conexión. Mantenga siempre la impedancia total por debajo del máximo recomendado en las características técnicas y utilice un cable de baja inductancia para evitar que se produzcan atenuaciones en las frecuencias más altas.

Ajuste Fino

Antes de proceder al ajuste fino, verifique cuidadosamente que todas las conexiones de la instalación sean correctas y seguras.

Cada vez que aumente la separación entre las cajas acústicas y las paredes laterales y posterior de la sala se reducirá el nivel general de graves. El espacio situado detrás de las cajas también contribuye a crear una sensación de profundidad. Por el contrario, si acerca las cajas acústicas a las paredes el nivel de graves aumentará. Si desea reducir el nivel de graves sin separar más las cajas acústicas de la pared, coloque los tapones de espuma en los puertos bass-reflex. Si desea que la reducción de graves sea menos severa, coloque los anillos de espuma en los puertos bass-reflex. La colocación de dichos tapones/anillos se ilustra en la Figura 3.

Si la respuesta en graves se desestabiliza a menudo, lo más probable es que se deba a la excitación de modos de resonancia en la sala de escucha. Incluso pequeños cambios en la posición de las cajas acústicas o los oyentes pueden tener un profundo efecto en la manera en que dichas resonancias afectan al sonido. Intente colocar las cajas acústicas a lo largo de una pared diferente. El cambio de posición de muebles y objetos de gran tamaño presentes en la sala también puede modificar el sonido.

Si la imagen central carece de focalización, intente acercar las cajas acústicas entre sí o inclínelas de manera que apunten hacia los oyentes o estén encaradas hacia ellos. La Figura 1b muestra cajas acústicas orientadas hacia los oyentes.

Si el sonido es demasiado brillante (léase chillón), el aumento de la cantidad de materiales blandos

(generalmente fonoabsorbentes) presentes en la sala (utilice, por ejemplo, cortinas más pesadas) puede ayudar a equilibrarlo. Por el contrario, si se reduce la presencia de los citados materiales se conseguirá incrementar el nivel de brillo de un sonido apagado y carente de vida.

Algunas salas se ven afectadas por lo que se denomina "eco flotante", es decir ecos que "rebotan" entre paredes paralelas de las mismas. Los ecos flotantes pueden colorear el sonido de las cajas acústicas instaladas en la sala. Compruebe si en la sala de escucha hay ecos flotantes situándose de pie en el centro de la misma, aplaudiendo rápidamente y escuchando a continuación para detectar si se escuchan repeticiones rápidas de los aplausos. Para reducir dicho eco, coloque objetos de forma irregular o superficies no reflectantes (como por ejemplo tapetes, cuadros o estanterías repletas de libros) en el suelo o en una de las paredes afectadas.

Asegúrese de que los pies de las cajas acústicas descansen perfectamente sobre el suelo. En caso de que sea necesario, utilice puntas metálicas de desacoplo y ajústelas para compensar cualquier desequilibrio.

Período de Rodaje

Las prestaciones de la caja cambiarán de manera sutil durante el período de escucha inicial. Si la caja ha estado almacenada en un ambiente frío, tanto los materiales absorbentes y de amortiguamiento acústico como los que forman parte de los sistemas de suspensión de los diferentes altavoces tardarán cierto tiempo en recuperar sus propiedades mecánicas correctas. Las suspensiones de los altavoces también se relajarán durante las primeras horas de uso. El tiempo que la caja acústica necesite para alcanzar las prestaciones para las que fue diseñada variará en función de las condiciones de almacenamiento previas de la misma y de cómo se utilice. A modo de guía, deje transcurrir una semana para la estabilización

térmica de la caja y unas 15 horas de uso en condiciones normales para que las partes mecánicas de la misma alcancen las características de funcionamiento para las que fueron diseñadas.

No obstante, hay constancia de períodos de rodaje más largos (del orden de un mes) y las evidencias suficientes para sugerir que ello tiene poco que ver con cambios en la caja acústica y bastante con la adaptación del usuario al nuevo sonido proporcionado por la misma. Esto resulta bastante cierto en cajas acústicas con un elevado poder resolutivo, como por ejemplo las CM1 o las CM5, hasta el punto de que puede producirse un aumento significativo del nivel de detalle en comparación con el que estaba acostumbrado a percibir el usuario; en un primer momento, el sonido puede aparecer excesivamente "adelantado" y quizá un poco duro. Después de un largo período de tiempo, el sonido parecerá más suave aunque sin perder claridad ni detalle.

Cuidado y Mantenimiento

Por regla general, la superficie del recinto sólo requiere que se le quite el polvo. Si desea utilizar un limpiador de tipo aerosol, retire en primer lugar cuidadosamente la rejilla protectora y aléjela del recinto. Rocíe sobre la gamuza limpiadora, nunca directamente sobre el recinto. La tela de la rejilla protectora puede limpiarse con un cepillo normal para la ropa o un aspirador mientras está separada del recinto. Evite tocar los altavoces, en especial el tweeter, ya que podrían producirse daños en los mismos.

Con el fin de evitar el resquebrajamiento de la superficie del acabado, mantenga el producto alejado de fuentes de calor tales como radiadores y salidas de aire caliente. Sean cuales sean las cajas acústicas Bowers & Wilkins terminadas en madera auténtica que usted posea, en todos los casos se han seleccionado las mejores chapas disponibles, a la vez que han sido tratadas con lacas resistentes a la radiación ultravioleta con el fin de minimizar posibles cambios de color a lo largo del tiempo. Aún así, y como es norma en todos los materiales naturales, cada chapa responderá a su entorno, por lo que es de esperar que se produzcan ciertos cambios de color. El efecto puede ser especialmente perceptible en el área cubierta por la rejilla protectora mientras que en zonas situadas en la sombra el cambio será más lento. Las diferencias de color pueden ser rectificadas exponiendo por igual y de manera uniforme todas las superficies de madera a la luz solar hasta que el color sea uniforme. Este proceso puede tardar varios días o incluso semanas en completarse, pero puede ser acelerado mediante el empleo cuidadoso de una lámpara ultravioleta.

Garantía limitada

Este producto ha sido diseñado y fabricado de acuerdo con las más altas normas de calidad. No obstante, si hallara algún desperfecto B&W Group Ltd. y sus distribuidores nacionales garantizan, sin coste alguno para usted, la mano de obra (es posible que haya excepciones) y la reposición de piezas en cualquier país donde se cuente con un distribuidor autorizado de B&W.

Esta garantía limitada es válida por un período de cinco años desde la fecha de compra y de dos años para las partes electrónicas, incluyendo sistemas de altavoces amplificados.

Términos y condiciones

- 1 Esta garantía está limitada a la reparación del equipo. La garantía no cubre ni el transporte, ni otros costes, ni ningún riesgo por traslado, transporte e instalación de los productos.
- 2 La garantía será aplicable exclusivamente para el propietario original. No es transferible.

Português

Manual do utilizador

Estimado Cliente,

Obrigado por ter escolhido a Bowers & Wilkins. Por favor leia totalmente este manual antes de desembalar e instalar o produto. Ajudá-lo-á a otimizar a sua performance. A B&W é distribuída em mais de 60 países no mundo inteiro e mantém uma rede de distribuidores dedicados que serão capazes de o ajudar no caso de surgirem problemas que o lojista não consiga resolver.

Informação Ambiental



Todos os produtos B&W são desenhados de molde a cumprir com as directivas internacionais de Restrição de Substâncias Perigosas (RoHS) em material eléctrico e electrónico e o desperdício de Lixo de Equipamento Eléctrico Electrónico (WEEE). Estes símbolos indicam o cumprimento e que os produtos devem ser correctamente reciclados ou processados de acordo com estas directivas. Consulte a organização local de recolha de desperdícios para uma orientação sobre a forma correcta de se desfazer deste equipamento.

Conteúdo da Caixa

Verifique se a mesma contém:

- 2 Esponjas de duas partes.
- 8 Bases de borracha auto-adesiva.

Instalação da Coluna

As colunas devem ser utilizadas correctamente no topo de suportes rígidos que coloque os tweeters sensivelmente à altura dos ouvidos quando se encontra sentado. A montagem em prateleira ou em suporte de parede é uma opção mas providencia uma menor oportunidade para a optimização do som através do ajuste do posicionamento da coluna.

O suporte de chão ou parede específico utilizado afectará a qualidade de som das colunas. O suporte B&W FS-700/CM é recomendado.

Se as colunas forem colocadas numa prateleira ou móvel, as bases adesivas fornecidas devem ser colocadas na parte de baixo da caixa.

Colocação

O ajuste do posicionamento da coluna depois da instalação inicial provavelmente melhorará a qualidade de som e é normalmente justificável.

Quer em instalações estéreo ou de cinema em casa tente assegurar que o espaço imediatamente envolvente a cada coluna é similar no seu carácter acústico. Por exemplo, se uma coluna está próxima de paredes nuas enquanto a outra de mobiliário macio e cortinas, o som global e a imagem estéreo ficarão comprometida.

Sistemas Estéreo Convencionais

Para começar, as colunas deverão ser posicionadas entre 1.5m e 3m uma da outra e nos cantos de um

3 Esta garantia terá validade somente si se trata de materiais defectuosos y/o de fabricación existentes en el momento de la compra, y no será válida en los siguientes casos:

- daños causados por instalación, conexión o embalaje inapropiados,
 - daños causados por uso inapropiado que no se corresponda con el uso correcto tal como se describe en el manual del usuario, negligencia, modificaciones o la utilización de piezas no originales de fábrica o no autorizadas por B&W,
 - daños causados por equipos auxiliares defectuosos o inapropiados,
 - daños causados por accidentes, relámpagos, agua, incendios, calor, guerra, disturbios sociales u otra causa ajena al control razonable de B&W y de sus distribuidores autorizados,
 - productos cuyo número de serie haya sido modificado, borrado, retirado o convertido en ilegible,
 - si una persona no autorizada ha efectuado alguna reparación o modificación en el producto.
- 4 Esta garantía complementa cualquier obligación legal a nivel nacional/regional de concesionarios o distribuidores nacionales y, como cliente, no afecta a sus derechos estatutarios.

Cómo solicitar reparaciones bajo garantía

En caso de ser necesaria alguna revisión, siga el siguiente procedimiento:

- Si está usando el equipo en el país en que fue adquirido, debería contactar con el concesionario autorizado de B&W en donde lo adquirió.
- Si el equipo está siendo utilizado fuera del país en que fue adquirido, debería contactar con el distribuidor nacional de B&W correspondiente al país donde reside, que le asesorará sobre el lugar al que enviarlo para que pueda ser revisado. Para obtener información sobre cómo contactar con su distribuidor local, puede llamar a B&W en el Reino Unido o visitar nuestro sitio web.

Para validar su garantía, deberá mostrar el folleto de garantía debidamente cumplimentado y con la fecha de compra estampada por su concesionario. De lo contrario, tendrá que mostrar la factura de venta original u otro comprobante que demuestre su propiedad y la autenticidad de su fecha de compra.

triângulo equilátero completado pela posição de audição no terceiro canto. As colunas devem estar aproximadamente a 0,5m afastadas da parede traseira e pelo menos a 0,5m das paredes laterais. A Figura 1a ilustra esta configuração.

Sistemas de Cinema em Casa

Se as colunas forem utilizadas como canais frontais num sistema de cinema em casa devem ser colocadas mais próximas uma da outra do que em audio de 2-canalís devido ao facto de os canais de surround terem tendência para alargar a imagem. Posicionar as colunas aproximadamente a 0,5m das laterais do écran permitirá manter a imagem Sonora em perspectiva com a imagem visual. A altura das colunas deverá ser algures entre o centro do écran e a altura da coluna central. Tal como no posicionamento estéreo convencional, as colunas devem estar idealmente a 0,5m de qualquer parede adjacente. Se as colunas forem colocadas preferencialmente junto à parede traseira e esta localização resultar num baixo enfatizado, veja a secção Ajustação (Fine Tuning) deste manual para informação de como utilizar os cilindros de esponja.

Se as colunas forem utilizadas para os canais de efeitos num sistema de cinema em casa, posicione-as como ilustra nas Figuras 1c a 1e consoante o numero de canais. Para assegurar uma cobertura homogénea numa ampla área de audição é benéfico elevar as colunas acima da altura dos ouvidos.

Campos Magnéticos

As unidades das colunas criam campos magnéticos que se estendem para além dos limites exteriores da caixa. Recomendamos que mantenha artigos sensíveis a estes campos (televisão e monitores de computador, discos rígidos, cassetes de audio e vídeo, cartões informáticos e semelhantes) a pelo menos 0,5m da coluna. LCD e écrans de plasma não são afectados por campos magnéticos.

Ligações

Todas as ligações devem ser feitas com os equipamentos desligados.

Existem 2 pares de terminais interligados na traseira da coluna. Para uma ligação convencional os links dos terminais devem ser mantidos no lugar (como fornecido) e apenas um dos pares deve ser ligado ao amplificador. Para uma ligação em bi-cablagem os links dos terminais devem ser removidos e cada um dos pares de terminais deve ser ligado ao amplificador de forma independente. A bicablagem pode melhorar a resolução do detalhe de baixa frequência. As Figuras 2a e 2b ilustram a ligação convencional e de bi-cablagem.

Assegure-se que os terminais positivos na coluna (marcados + e de cor vermelha) estão ligados ao terminal de saída positivo do amplificador e os terminais negativos na coluna (marcados - e de cor preta) estão ligados ao terminal negativo de saída no amplificador. A ligação incorrecta pode resultar numa imagem sonora pobre e perda de baixos.

Peça na sua loja um conselho quando seleccionar um cabo de coluna. Mantenha a impedancia total abaixo do máximo recomendado nas especificações das colunas e utilize cabo de baixa indutância de molde a evitar atenuação de altas frequências.

Afinação

Antes de afinar, assegure-se que todas as ligações estão correctas e seguras.

Afastar as colunas das paredes normalmente reduzirá a quantidade de graves. O espaço por de trás das colunas permitirá igualmente criar uma impressão de maior profundidade. Contrariamente, mover as colunas para mais próximo das paredes aumentará a quantidade de graves. Se pretender reduzir a quantidade de graves sem afastar as colunas da parede traseira, coloque os cilindros de espuma ou, para uma redução menos severa coloque apenas os anéis de espuma nos tubos dos pórticos. Colocar um cilindro ou um anel de espuma no pórtico, encontra-se ilustrado na Figura 3.

Se os graves parecem irregulares com a frequência isto será provavelmente consequência de modos de ressonância da sala de audição. Até pequenas alterações no posicionamento das colunas ou do ponto de audição podem ter um efeito profundo na forma como estas ressonâncias afetam o som. Tente alterar o ponto de audição ou colocar as colunas ao longo de uma parede diferente. A presença e posicionamento de grandes peças de mobiliário poderá igualmente influenciar os modos de ressonância.

Se faltar focagem à imagem central, tente aproximar as colunas uma da outra ou virá-las para dentro de forma a que apontem para um ponto logo à frente do ponto de audição. A Figura 1b ilustra as colunas apontando para dentro.

Se o som for muito brilhante, o aumento da quantidade de mobiliário macio na sala (por exemplo, cortinas mais grossas) pode ajudar a equilibrar o som. Inversamente reduzir a quantidade desse tipo de mobiliário pode ajudar a dar brilho a um som amortecido.

Algumas salas sofrem de eco – eco que "balança" entre paredes paralelas: Este tipo de eco pode colorir o som das colunas na sala. Teste os ecos da sua sala batendo as palmas no meio da mesma. Este tipo de ecos poderá ser reduzido através da colocação de peças forma irregular ou de superfícies não reflectoras, como por exemplo, estantes de livros, tapeçarias ou telas, numa das paredes ou chão.

Assegure-se que os suportes estão perfeitamente verticais e bem ancorados ao chão. Utilize os spikes para carpete se apropriados e ajuste-os para evitar qualquer desequilíbrio.

Periodo de Rodagem

A performance da coluna mudará subtilmente durante o período inicial de escuta. Se a coluna tiver sido armazenada num ambiente frio, os materiais de amortecimento e suspensão das unidades levarão algum tempo até recuperarem as suas propriedades

mecânicas correctas. As suspensões das unidades ganharão flexibilidade durante as primeiras horas de uso. O tempo requerido para que a coluna atinja a performance pretendida varia consoante as condições de armazenamento e a forma como é utilizada. Como guia, permita até uma semana para os efeitos de temperatura estabilizarem e 15 horas de utilização média para que as partes mecânicas alcancem as suas características.

Mas períodos mais longos (algo como um mês) têm sido reportados, no entanto existem evidências que sugerem que isto pouco tem que ver com as alterações das colunas e mais com o facto de o ouvinte se ir habituando ao novo som. Isto acontece especialmente com colunas altamente reveladoras como estas, em que poderá existir um significativo aumento na quantidade de informação comparativamente com o que o ouvinte estava habituado; o som inicialmente poderá parecer algo "frontal" e talvez um pouco duro: Depois de um extensivo período de tempo o som parece suavizar, mas sem perder clareza e detalhe.

Manutenção

Normalmente as superfícies da caixa apenas requerem limpeza do pó. Se desejar utilizar um aerossol ou outro agente de limpeza, em primeiro lugar retire a grelha puxando-a gentilmente da caixa. Pulverize o aerossol para o pano de limpeza e não directamente para o produto. Teste primeiro numa pequena superfície, já que alguns produtos de limpeza podem danificar algumas das superfícies. Evite produtos que sejam abrasivos, contenham ácidos, ou agentes anti-bacterianos. Não utilize agentes de limpeza nos altifalantes. O tecido da grelha pode ser limpo com as escovas de roupa normais enquanto a grelha estiver fora da coluna. Evite tocar nas unidades, especialmente no tweeter, pois poderá danificá-lo.

De molde a evitar o risco de aparecimento de fissuras no acabamento, mantenha o produto afastado de fontes de calor directo tais como radiadores e ventoinhas de ar quente. Sempre que as colunas Bowers & Wilkins são acabadas em madeira verdadeira, os melhores folheados são seleccionados e tratados com um verniz resistente a ultra-violetas para minimizar alterações de cor com o passar do tempo. No entanto, tal como em todos os materiais naturais, o folheado responde ao ambiente e deve ser esperado um certo grau de alteração de cor. O efeito pode ser particularmente notado onde a área coberta pela grelha, ou áreas mantidas na sombra, alteram mais lentamente que outras. Diferenças de cor podem ser rectificadas pela exposição todas as superfícies de forma igual e uniforme até que a cor estabilize. Este processo pode levar vários dias ou até mesmo semanas, mas pode ser acelerado pelo uso cuidadoso de uma lâmpada ultravioleta.

Garantia limitada

Este produto foi concebido e fabricado de acordo com os mais elevados padrões de qualidade. No entanto, se houver qualquer problema com o mesmo, a B&W e os seus distribuidores internacionais garantem o serviço de mão-de-obra (podendo-se aplicar exclusões) e de substituição de peças gratuitos em qualquer país servido por um distribuidor oficial de B&W.

Esta garantia limitada é válida por um período de cinco anos a partir da data de compra ou dois anos pela parte electrónica incluindo altifalantes amplificadores.

Termos e condições

- 1 Esta garantia limita-se à reparação do equipamento. Nem transporte, nem quaisquer outros custos, nem qualquer risco de remoção, transporte e instalação de produtos estão cobertos por esta garantia.
- 2 A garantia só é válida para o proprietário original. Não é transferível.
- 3 Esta garantia não será aplicável nos casos em que os defeitos não sejam atribuíveis a materiais e/ou mão-de-obra na altura da compra e não será aplicável a:
 - a. danos causados pela instalação, ligação ou embalamento incorrectos,
 - b. danos causados por qualquer utilização que não seja a correcta conforme descrita no manual do utilizador, negligência, modificações ou utilização de peças que não sejam fabricadas ou autorizadas pela B&W,
 - c. danos causados por equipamento auxiliar inadequado ou defeituoso,
 - d. danos causados por acidentes, relâmpagos, água, incêndio, calor, guerra, distúrbios públicos ou qualquer outra causa para além do controlo razoável da B&W e dos seus distribuidores nomeados,
 - e. produtos cujo número de série tenha sido alterado, apagado, removido ou que tenha sido tornado ilegal,
 - f. reparações ou modificações que tenham sido efectuadas por pessoa não autorizada.
- 4 Esta garantia complementa quaisquer obrigações legais nacionais e regionais de revendedores ou distribuidores nacionais e não afecta os seus direitos estatutários como cliente.

Como reivindicar reparações sob garantia

Caso seja necessário assistência técnica, queira seguir o procedimento seguinte:

- 1 Se o equipamento está a ser utilizado no país de compra, deverá contactar o distribuidor autorizado da B&W de onde o equipamento foi comprado.

- 2 Se o equipamento está a ser utilizado fora do país de compra, deverá contactar o distribuidor nacional da B&W do país de residência que o aconselhará onde o equipamento pode ser reparado. Pode telefonar para a B&W no Reino Unido ou visitar a nossa página na internet para obter os pormenores de contacto do seu distribuidor local.

Para validar a sua garantia, precisará de preencher a mesma devendo esta ser carimbada pelo seu distribuidor na data da compra. Em alternativa, precisará da factura original de venda ou outra prova de propriedade e data de compra.

Italiano

Manuale di istruzioni

Egregio cliente.

Grazie per aver scelto Bowers & Wilkins.

Vi preghiamo di leggere l'intero manuale prima di sballare ed installare il prodotto. In questo modo otterrete il meglio dalla sua resa sonora. B&W ha una rete di distributori in più di 60 paesi che saranno in grado di assistervi nel caso in cui aveste dei problemi che il vostro rivenditore non può risolvere.

Informazioni per l'ambiente



Tutti i prodotti B&W sono realizzati in conformità con le normative internazionali: Restriction of Hazardous Substances (RoHS) per apparecchi elettronici ed elettrici, ed alle norme Waste Electrical and Electronic Equipment (WEEE). Questi simboli indicano la compatibilità con queste norme, e che il prodotto deve essere riciclato o smaltito in ottemperanza a queste direttive. Consultate l'autorità competente locale per maggiori dettagli sulle modalità di smaltimento.

Contenuto dell'imballo

Verificare che siano presenti le seguenti parti:

- 2 inserti doppi in spugna.
- 8 piedini in gomma adesivi

Installazione del diffusore

Il migliore utilizzo dei diffusori è posizionandoli su stand da pavimento in modo che l'altezza del tweeter sia approssimativamente a livello dell'orecchio dell'ascoltatore, quando è seduto. I diffusori possono anche essere posizionati su una mensola o a muro, ma in questo caso è più difficile trovare la giusta collocazione ed orientamento per ottimizzarne la resa.

Stand da pavimento o supporti da muro inadeguati possono influire sulla qualità sonora dei diffusori. Per questo vi raccomandiamo gli appositi stand B&W FS-700/CM.

Se i diffusori devono essere posizionati su mensole o su mobili in generale, applicate sul fondo del cabinet dei diffusori i piedini adesivi in gomma forniti in dotazione.

Posizionamento

Dopo avere effettuato l'installazione iniziale, la regolazione della posizione dei diffusori aumenterà sicuramente la qualità sonora del sistema.

Sia in sistemi stereo che home theatre cercate di mantenere le stesse condizioni ambientali per ogni diffusore, che potrebbero influire sulla resa acustica dei diffusori. Per esempio, se un diffusore è vicino ad un muro e l'altro diffusore è vicino ad una tenda o ad un mobile, sia l'immagine stereo che la qualità del suono potrebbero essere compromesse.

Sistemi stereo convenzionali

Per iniziare, i diffusori dovrebbero posizionati tra 1.5m e 3m di distanza tra loro ai due angoli di un triangolo

equilatero formato con la posizione di ascolto come terzo angolo. I diffusori dovrebbero essere distanti circa 0,5m dal muro posteriore, ed almeno a 0,5m dai muri laterali. La figura 1a illustra questa configurazione.

Sistemi Home Theatre

Se i diffusori vengono utilizzati come canali frontali in un sistema home theatre, dovrebbero essere posizionati più vicino tra loro rispetto ad un sistema 2 canali, perché i canali surround tendono ad allargare l'immagine sonora. Posizionate gli altoparlanti a circa 0,5 m di distanza dai lati dello schermo, per adeguare l'immagine sonora alla grandezza visiva dello schermo. La loro altezza dovrebbe essere più o meno tra il centro dello schermo e l'altezza del diffusore del canale centrale. Come per i sistemi stereo convenzionali, i diffusori dovrebbero essere distanti circa 0,5m dal muro posteriore, ed almeno a 0,5m dai muri laterali. Se preferite posizionare i diffusori contro il muro e vi accorgete che il suono risultante denota una esagerata presenza di basse frequenze, andate alla sezione Regolazione fine di questo manuale per maggiori informazioni sull'utilizzo degli inserti in spugna.

Se i diffusori vengono utilizzati come canali surround in un sistema home theatre, posizionateli come illustrato nelle figure 1c e 1e in base al numero di canali del sistema. Per ottenere la copertura ottimale di un'area di ascolto molto estesa è opportuno posizionare i diffusori ad una altezza superiore a quella delle orecchie dell'ascoltatore.

Campi magnetici dispersi

Le unità altoparlanti creano campi magnetici dispersi che si estendono al di là del cabinet. Vi raccomandiamo di tenere lontani i prodotti sensibili ai campi magnetici (televisori, schermi per computer, dischi per computer, tessere magnetiche, nastri audio e video e simili), almeno a 0,5 m dal diffusore. Schermi LCD e plasma non subiscono nessuna influenza dai campi magnetici.

Collegamenti

Tutti i collegamenti dovrebbero essere effettuati con gli apparecchi spenti.

Sul retro del diffusore vi sono due coppie di terminali collegati fra loro. Per un normale collegamento i collegamenti tra i terminali dovrebbero rimanere in posizione (come li trovate), basterà collegare solo una coppia di terminali alle uscite dell'amplificatore. Per effettuare un collegamento bi-wiring dovete rimuovere i collegamenti tra i terminali e collegare ogni coppia di terminali indipendentemente all'amplificatore; questo tipo di connessione può aumentare la risoluzione dei dettagli in bassa frequenza. Le figure 2a e 2b illustrano il collegamento convenzionale ed il bi-wiring.

Assicuratevi che i terminali positivi del diffusore (indicati con + e di colore rosso) siano collegati al terminale di uscita positivo dell'amplificatore, ed i terminali negativi (indicati con - e di colore nero) al negativo. La non osservanza della polarità darà luogo ad una inadeguata riproduzione dell'immagine sonora ed ad una perdita di bassi.

Chiedete consiglio al vostro rivenditore sulla scelta dei cavi per i diffusori. Controllate che l'impedenza totale

sia inferiore a quella massima raccomandata nelle caratteristiche dei diffusori, ed utilizzate un cavo a bassa induttanza per evitare l'attenuazione delle frequenze più alte.

Regolazione fine

Prima di eseguire la messa a punto del sistema, ricontrollate nuovamente la polarità ed i collegamenti.

Spostando ulteriormente i diffusori dalle pareti si ridurrà il livello complessivo dei bassi. Lo spazio dietro ai diffusori contribuisce a dare un senso di profondità. Al contrario, spostando i diffusori più vicini alle pareti aumenterà il livello dei bassi. Se volete ridurre i bassi e non potete allontanare ulteriormente i diffusori dalle pareti, inserite gli inserti di spugna o, per una riduzione dei bassi più lieve, gli anelli di spugna nei raccordi dei diffusori. L'inserimento degli inserti di spugna o degli anelli nei raccordi è illustrato in Figura 3.

Se il basso sembra irregolare con la frequenza, è generalmente dovuto all'effetto di risonanza della stanza. Anche piccoli cambiamenti nella posizione dei diffusori o dell'ascoltatore possono avere grande influenza sul modo in cui queste risonanze alterano il suono. Provate a cambiare posizione di ascolto o a posizionare i diffusori su una parete diversa. Anche la presenza o lo spostamento di grandi mobili può dare dei buoni risultati.

Se l'immagine sonora centrale non vi sembra adeguata, provate a posizionare i diffusori più vicini tra loro o orientateli maggiormente verso la posizione di ascolto. Nella Figura 1b sono illustrati i diffusori orientati verso l'interno.

Se il suono è troppo acuto, aumentate l'arredamento in tessuto della stanza (per esempio, utilizzate tendaggi più pesanti), oppure riducetelo se il suono è opaco e spento.

Alcune stanze ricreano un fastidioso effetto eco: i suoni potrebbero rimbalzare tra muri paralleli o adiacenti. Questo effetto potrebbe influire negativamente sul suono dei diffusori nella stanza. Controllate l'effetto eco battendo le mani al centro della stanza. Potete limitare questo effetto facendo uso di superfici irregolari o non riflettenti come librerie, grandi mobili, quadri o tappeti su uno dei muri o sul pavimento adiacente al muro.

Assicuratevi che gli stand dei diffusori siano in posizione perfettamente verticale e che non ondegino sul pavimento. Se necessario utilizzate i piedini a punta, regolandoli per adeguarli ad eventuali avallamenti o sconnessioni del pavimento.

Periodo di rodaggio

Le prestazioni del diffusore cambieranno notevolmente dopo il periodo iniziale di ascolto. Se il diffusore è stato immagazzinato in un ambiente freddo, i componenti degli altoparlanti avranno bisogno di qualche tempo per recuperare le loro proprietà meccaniche naturali. Anche le sospensioni dell'altoparlante si allenteranno durante le prime ore di utilizzo. Il tempo necessario al diffusore per raggiungere le sue normali prestazioni varia in base alle condizioni di immagazzinamento precedenti e da

come vengono usati. In genere, ci vorrà circa una settimana per stabilizzare gli effetti della temperatura, ed in media 15 ore di funzionamento perché le parti meccaniche riprendano le loro caratteristiche di base

Comunque, è stato provato che anche con periodi di rodaggio più lunghi (circa un mese) non sono stati notati cambiamenti sostanziali nei diffusori; questo anche perché l'ascoltatore comincia ad abituarsi al nuovo suono dei diffusori. Con diffusori di elevata qualità come questi, potreste notare un significativo incremento nella quantità dei dettagli se comparati con il tipo di suono a cui eravate abituati in precedenza; all'inizio il suono potrebbe sembrarvi troppo "diretto" e forse duro. Dopo un certo periodo di tempo il suono sembrerà più dolce, ma senza perdita di chiarezza e dettaglio

Manutenzione

La superficie del cabinet solitamente va solo spolverata. Se volete utilizzare un prodotto spray per la pulizia, rimuovete le griglie dal cabinet, tirandole delicatamente verso l'esterno. Spruzzate il prodotto sul panno, non direttamente sul cabinet. Prima di procedere alla pulizia, provate il prodotto su una piccola area del diffusore, poiché alcuni prodotti per la pulizia potrebbero danneggiare alcune superfici. Evitate prodotti abrasivi, o contenenti acidi, alcali o agenti anti-batterici. Non utilizzate prodotti per la pulizia di nessun tipo sugli altoparlanti. Per pulire il tessuto delle griglie, una volta rimosse dal cabinet, potete utilizzare una normale spazzola per tessuto. Evitate di toccare gli altoparlanti, specialmente i tweeter, che potrebbero danneggiarsi.

Per evitare il rischio di venature sulla superficie del diffusore, tenete i diffusori lontani da fonti di calore diretto come ad esempio termosifoni o termoconvettori. I diffusori Bowers & Wilkins hanno una finitura in legno naturale, vengono scelti i più pregiati, quindi selezionati e trattati con una laccatura resistente ai raggi ultravioletti per minimizzare le variazioni di colore nel tempo. Comunque, come tutti i materiali naturali, il legno che subisce l'influenza degli agenti esterni e che potrebbe variare la tonalità del colore dopo un certo periodo di tempo. La differenza di tonalità potrebbe essere maggiormente notata confrontando il colore del legno del cabinet con quello nella zona coperta dalla griglia di protezione, o in punti che rimangono in ombra, che varieranno la loro tonalità molto più lentamente rispetto ad altre aree del cabinet esposte alla luce. Le differenze di colore possono essere eliminate esponendo la superficie alla luce del sole fino a che il colore sarà uniforme a tutto il resto del cabinet. Questo processo può richiedere diversi giorni o anche settimane, ma può essere velocizzato utilizzando con cautela una lampada a raggi ultravioletti.

Garanzia limitata

Questo prodotto è stato progettato e fabbricato secondo i più alti standard qualitativi. Tuttavia, nell'improbabile caso di un guasto o malfunzionamento, B&W Group Ltd. e i suoi distributori

nazionali garantiscono parti sostitutive e mano d'opera gratuite (alcune eccezioni sono possibili) nei paesi in cui è presente un distributore ufficiale B&W.

Questa garanzia limitata è valida per un periodo di cinque anni dalla data di acquisto o di due anni per i componenti elettronici, diffusori attivi inclusi.

Termini e condizioni

- 1 La garanzia è limitata alla sola riparazione delle apparecchiature. La garanzia non copre i costi di trasporto o nessun altro tipo di costo, né i rischi derivanti dalla rimozione, il trasporto e l'installazione dei prodotti.
- 2 La garanzia è valida solo per l'acquirente originario e non è trasferibile.
- 3 Questa garanzia è applicabile solo in caso di materiali e/o fabbricazione difettosi al momento dell'acquisto e non è applicabile nei seguenti casi:
 - a. danni causati da installazione, connessione o imballaggio incorretti,
 - b. danni causati da un uso inadeguato del prodotto, diverso dall'uso specificato nel manuale dell'utente, negligenza, modifiche o impiego di componenti non fabbricati o autorizzati da B&W,
 - c. danni causati da apparecchiature ausiliarie difettose o inadatte,
 - d. danni causati da incidenti, fulmini, acqua, fiamme, calore, guerra, disordini pubblici o altra causa al di fuori del ragionevole controllo di B&W e dei suoi ufficiali distributori,
 - e. quando il numero di serie del prodotto è stato alterato, cancellato, rimosso o reso illeggibile,
 - f. se riparazioni o modifiche sono state effettuate da personale non autorizzato.
- 4 Questa garanzia completa le obbligazioni di legge regionali e nazionali dei rivenditori o distributori nazionali e non incide sui diritti del consumatore stabiliti per legge.

Riparazioni in garanzia

Se sono necessarie delle riparazioni, seguire le procedure delineate qui di seguito:

- 1 Se le apparecchiature sono utilizzate nel paese in cui sono state acquistate, contattare il rivenditore autorizzato B&W da cui sono state acquistate.
- 2 Se le apparecchiature non sono utilizzate nel paese in cui sono state acquistate, contattare il distributore nazionale B&W nel paese di residenza, che sarà in grado di fornire i dettagli della ditta incaricata delle riparazioni. Contattare B&W nel Regno Unito o visitare il sito web per i dettagli dei vari distributori di zona.

Per ricevere assistenza in garanzia, bisognerà esibire, compilata e timbrata dal rivenditore il giorno dell'acquisto, il tagliando di garanzia e lo scontrino d'acquisto originale o altro tipo di prova d'acquisto con data d'acquisto.

Nederlands

Handleiding

Geachte klant,

Dank u voor het kiezen van B&W. Lees voordat u het product uitpakt en installeert de handleiding in zijn geheel door; het zal u helpen het product optimaal te gebruiken. B&W heeft een netwerk van toegewijde distributeurs in meer dan 60 landen die u kunnen helpen wanneer u een probleem ondervindt dat uw leverancier niet kan oplossen.

Denk aan het milieu



Alle B&W producten zijn zo ontworpen dat zij voldoen aan de internationale richtlijnen omtrent gevaarlijke stoffen (RoHS) in elektrische en elektronische apparatuur en de verwerking van afgedankte elektrische en elektronische apparatuur (WEEE). Deze symbolen geven aan dat zij er aan voldoen en dat de producten op de juiste wijze dienen te worden gerecycled of verwerkt conform deze richtlijnen. Neem zonodig contact op met uw gemeente voor nadere informatie.

Inhoud van de verpakking

Controleer of het volgende aanwezig is:

- 2 Tweedelige schuimplug
- 8 Zelfklevende rubber dopjes

Luidspreker Installeren

De luidsprekers kunnen het beste worden gemonteerd op solide vloerstands die de tweeters ongeveer op oorhoogte brengen wanneer de luisteraar zit. Montage op een schap of een muurbeugel is een optie maar biedt minder mogelijkheden tot optimalisatie door correctie van de luidsprekerpositie.

De specifieke stand of muurbeugel die wordt gebruikt heeft invloed op de geluidskwaliteit van de luidsprekers. De B&W FS-700/CM stand wordt aanbevolen.

Wanneer de luidsprekers worden opgesteld op een schap of een meubel, kunnen de zelfklevende pads op de onderzijde van de kast worden gekleefd.

Opstelling

Het experimenteren met de luidsprekeropstelling nadat de luidsprekers zijn geplaatst kan, het geluid verder verbeteren en is bijna altijd de moeite waard.

Zowel bij stereo als in een home theater is het verstandig te zorgen dat de directe akoestische omgeving van alle luidsprekers ongeveer hetzelfde is. Staat één luidspreker bijvoorbeeld vlak bij een kale wand en een andere bij zachte meubels of gordijnen, dan zal dat een negatief effect hebben op zowel de geluidskwaliteit als het stereobeeld.

Conventionele Stereo Systemen

Als uitgangspunt worden de luidsprekers 1,5 tot 3 meter uit elkaar geplaatst op de hoeken van een gelijkzijdige driehoek waarvan de luisterplaats de derde hoek is. Plaats de luidsprekers ca. 0,5 m van de

achterwand en minimaal 0,5 m van de zijwanden. Afbeelding 1a illustreert dit.

Home Theater Systemen

Wanneer de luidsprekers worden gebruikt als frontluidsprekers in een home theater systeem dienen ze dicht bij elkaar te worden gezet als in een 2-kanalen stereosysteem omdat de surround kanalen het beeld vergroten.

Door de luidsprekers binnen ca. 0,5 m van het beeldscherm te plaatsen, houdt u het klankbeeld in de juiste verhouding tot het beeld. De hoogte van de luidsprekers dient tussen het midden van het beeldscherm en de hoogte van de center luidspreker te liggen. Net als bij de conventionele stereo-opstelling dienen de luidsprekers minimaal 0,5 m van de zijwanden te blijven. Wanneer de luidsprekers tegen de achterwand worden geplaatst worden de bassen extra benadrukt. Kan het niet anders, kijk dan onder 'Fijnafstemming' in deze handleiding voor nadere informatie over het gebruik van de schuim doppen.

Wanneer de luidsprekers worden gebruikt voor de surround kanalen in een home theater systeem, stel ze dan op als aangegeven in afbeeldingen 1c tot 1e afhankelijk van het aantal kanalen. Om over een groter gebied een gelijkmatige geluidsverdeling te krijgen is het verstandig de luidsprekers iets boven oorhoogte op te stellen.

Magnetisch Strooiveld

De luidsprekereenheden hebben een magnetisch strooiveld waarvan de invloed ook buiten de kast merkbaar is. Wij raden u aan magnetisch gevoelige zaken (TV en computerschermen met beeldbuis, diskettes, audio- en videobanden, creditcards e.d.) minimaal 0,5 meter van de luidspreker vandaan te houden. LCD- en plasmaschermen zijn niet gevoelig voor het magnetisch veld.

Verbindingen

Voordat u apparatuur aansluit of iets aan de verbindingen verandert, altijd eerst alle apparatuur uitschakelen.

Op de achterzijde van de luidspreker bevinden zich twee stel doorverbonden aansluitingen. Voor conventionele aansluiting blijven de doorverbindingen op hun plaats (als bij aflevering) en wordt slechts één paar aansluitingen met de versterker verbonden. Voor bi-wire aansluiting dienen de doorverbindingen te worden verwijderd en wordt elk paar afzonderlijk met de versterker verbonden. Bi-wiring kan de resolutie van details op lage frequenties verbeteren. In afbeelding 2a en 2b worden beide aansluitmethoden aangegeven.

Zorg ervoor dat de positieve aansluitingen van de luidspreker (rood gekleurd en van een + voorzien) met de positieve uitgang van de versterker worden verbonden en de negatieve aansluitingen van de luidspreker (zwart gekleurd en van een - voorzien) met de negatieve uitgang van de versterker worden verbonden. Foutieve aansluiting geeft een minder goed ruimtebeeld en verlies aan bas.

Vraag uw leverancier advies over de keuze van de luidsprekerkabel. Houd de totale weerstand beneden het maximum dat in de specificaties is aangegeven en gebruik een kabel met een lage inductie om verzwakking van hoge frequenties te voorkomen.

Fijnafstemming

Controleer voordat u aan het fijnafstemmen begint, of alle verbindingen correct en stevig zijn geïnstalleerd.

Door de luidsprekers verder van de wand te plaatsen zal in het algemeen het laag afnemen. De ruimte achter de luidsprekers verhoogt ook de ruimtelijke indruk op het gehoor. Omgekeerd, door de luidsprekers dicht bij de wand op te stellen, neemt het laag juist toe. Wanneer u het laag wilt reduceren zonder de luidsprekers verder van de wand te plaatsen, drukt u de schuimrubber doppen in de poorten, of, voor een minder sterke reductie van het laag, alleen de schuim ringen in de poort. Het aanbrengen van een dop of ring in de poort is aangegeven in afbeelding 3.

Wanneer het laag niet op alle frequenties evenwichtig is, ligt dat meestal aan alle resonanties ergens in de luisterruimte. Zelfs kleine wijzigingen in de luidsprekeropstelling of de luisterpositie kunnen een behoorlijke invloed hebben op het effect van deze resonanties op de klank. Probeer de luisterpositie te wijzigen en de luidsprekers bijvoorbeeld voor een andere wand te zetten. Ook de aanwezigheid en positie van grote meubels hebben invloed op deze resonanties.

Wanneer het centrale geluidsbeeld vaag is, probeer dan de luidsprekers dicht bij elkaar te zetten en ze te richten op een punt juist vóór de luisterpositie. In afbeelding 1b ziet u hoe de luidsprekers naar binnen zijn gericht.

Is het geluid te helder, dan kan het aanbrengen van zachtere stoffering in de kamer (zwaardere gordijnen bijvoorbeeld) een betere balans bewerkstelligen. Omgekeerd kan het reduceren van zachte stoffering een donkere klank helderder maken.

Sommige kamers hebben last van een 'repeterende echo', echo's die op en neer kaatsen tussen parallelle wanden. U kunt dat testen door in het midden van de kamer in uw handen te klappen. Dit soort echo's wordt gereduceerd door onregelmatig gevormde meubels of door niet-reflecterende vlakken te creëren, zoals boekenplanken, gobelins of schilderijen tegen één van de wanden, of een tapijt op de vloer.

Controleer of de luidsprekerstands recht en stevig op de vloer staan. Gebruik zonodig tapijtspikes en corrigeer eventuele ongelijkheid.

Inspelen

De eigenschappen van de luidspreker zullen gedurende de eerste luisterperiode op subtiele wijze iets veranderen. Wanneer de luidspreker in een koude omgeving opgeslagen is geweest, zijn de dempende materialen en de ophanging wat stug en het duurt enige tijd voordat zij de juiste mechanische eigenschappen terug hebben. Ook zal de ophanging in de eerste uren van het gebruik nog wat soepeler

worden. De tijd die de luidspreker nodig heeft om de beoogde eigenschappen te bereiken, wordt bepaald door de wijze waarop hij voorheen is opgeslagen en de manier waarop hij wordt gebruikt. Houd als richtlijn een week aan om een stabiele temperatuur te bereiken en ca. 15 uur gebruik om de mechanische onderdelen de beoogde eigenschappen te laten verkrijgen.

Maar ook langere inspeeltijden zijn gerapporteerd (tot een maand) en er zijn ook aanwijzingen dat dit minder te maken heeft met veranderingen van eigenschappen van de luidspreker als met de gewenning van de luisteraar aan de nieuwe klank. Dat geldt vooral voor luidsprekers als deze, die in hoge mate laten horen wat de werkelijke inhoud van de opname is en daarmee een grotere detaillering in vergelijking tot wat de luisteraar voorheen was gewend. Aanvankelijk kan het geluid wat direct en zelfs enigszins hard lijken. Na enige tijd lijkt het geluid zachter te worden, maar zonder aan tekening en detaillering te verliezen.

Nazorg

De kast van de luidsprekers behoeft normaal gesproken alleen maar te worden afgestoft. Wilt u een schoonmaakspray of een ander middel gebruiken, verwijder dan eerst de grill door deze voorzichtig van de kast te trekken. Spuit op een zachte doek en nooit direct op de kast. Probeer eerst op een onzichtbare plek, daar sommige reinigingsmiddelen het oppervlak kunnen beschadigen. Vermijd schuurmiddelen of middelen die gif bevatten, alkali en antibacterie stoffen. Gebruik nooit schoonmaakmiddelen op de eenheden. De stof van de grill kan met een gewone kledingborstel worden schoongemaakt, terwijl deze van de kast is afgenomen. Vermijd aanraking van de eenheden, vooral de tweeter, die zeer gemakkelijk beschadigd kan raken.

Om de kans op broos worden en barsten van de afwerking te verkleinen, dient het product uit de buurt van warmtebronnen zoals kachels en luchtuitlaten te worden gehouden. Voor de afwerking van Bowers & Wilkins luidsprekers wordt de allerbeste fineer gebruikt, wat wordt behandeld met een anti-ultravioletlaag om verkleuring over langere tijd te voorkomen. Toch is bij natuurlijke materialen enige verkleuring over langere termijn niet te voorkomen. Het effect ervan is vooral merkbaar op plaatsen die afgedekt worden door de grill, of delen die in de schaduw blijven, omdat die langzamer verkleuren. Kleurverschillen kunnen worden gecorrigeerd door alle gefineerde delen in gelijke mate aan zonlicht bloot te stellen tot de kleur uniform is. Dat proces kan dagen duren of zelfs weken en kan worden versneld met behulp van een ultraviolet lamp.

Garantie

Dit product is volgens de hoogste kwaliteitsnormen ontworpen en vervaardigd. Mocht er toch iets defect zijn aan dit product dan garanderen B&W Group Ltd. en haar landelijk distributeurnetwerk dat u aanspraak kunt maken op kosteloze reparatie (er zijn

uitzonderingen) en vervanging van onderdelen in elk land, door een officiële B&W distributeur.

Deze beperkte garantie is geldig voor een periode van vijf jaar vanaf de aankoopdatum of twee jaar voor elektronica, waaronder actieve luidsprekers.

Voorwaarden

1. De garantie is beperkt tot de reparatie van de apparatuur. Transport- en andere kosten, eventueel risico voor het verwijderen, vervoeren en installeren van producten vallen niet onder deze garantie.
2. De garantie geldt alleen voor de eerste eigenaar en is niet overdraagbaar.
3. Deze garantie is niet van toepassing in andere gevallen dan defecten van materialen en/of fabricage ten tijde van aankoop en is niet van toepassing:
 - a. op schade die veroorzaakt is door onjuiste installatie, aansluiting of verpakking;
 - b. op schade die veroorzaakt is door onjuist gebruik, anders dan beschreven in de handleiding, nalatigheid, modificatie, of gebruik van onderdelen die niet door B&W zijn goedgekeurd of gemaakt;
 - c. op schade veroorzaakt door defecte of ongeschikte aanvullende apparatuur;
 - d. op schade veroorzaakt door ongeval, onweer, water, brand, hitte, oorlog, openbaar geweld of een andere oorzaak buiten redelijk toezicht van B&W en haar distributeurs;
 - e. op producten waarvan het serienummer gewijzigd, verwijderd, gewist of onleesbaar is gemaakt;
 - f. indien reparaties of modificaties zijn uitgevoerd door een onbevoegd persoon.
4. Deze garantie is ter aanvulling op eventuele nationale/regionale wettelijke verplichtingen voor dealers of nationale distributeurs en heeft geen invloed op uw wettelijke rechten als consument.

Garantieclaims

Wanneer u aanspraak wilt maken op garantie, handel dan als volgt:

1. Indien de apparatuur wordt gebruikt in het land van aankoop, neem dan contact op met de erkende B&W dealer waar de apparatuur is gekocht.
2. Indien de apparatuur niet in het land van aankoop wordt gebruikt, neem dan contact op met de nationale distributeur van B&W in het land waar u verblijft. Deze zal u informeren hoe te handelen. Ook kunt u contact opnemen met B&W in Groot-Brittannië of onze website bezoeken om te zien wie uw lokale distributeur is.

Om uw recht op garantie geldig te maken, dient u het garantiebewijs te overleggen, op de dag van aankoop ingevuld en van een stempel voorzien door uw handelaar. De originele aankoopfactuur of ander bewijs van aankoop, voorzien van koopdatum volstaan eveneens.

Ελληνικά

Οδηγίες Χρήσεως

Αγαπητέ πελάτη.

Παρακαλούμε διαβάστε προσεκτικά τις οδηγίες που περιλαμβάνονται σε αυτό το φυλλάδιο, για να μπορείτε να βελτιστοποιήσετε την απόδοση του συστήματός σας. Η Bowers & Wilkins έχει ένα δίκτυο αποκλειστικών αντιπροσώπων σε περισσότερες από 60 χώρες, οι οποίοι θα μπορούν να σας βοηθήσουν στην περίπτωση που συναντήσετε κάποια προβλήματα που δεν μπορούν να λυθούν στο κατάστημα από όπου αγοράσατε τα ηχεία.

Πληροφορίες σχετικά με την προστασία του περιβάλλοντος



Όλα τα προϊόντα της B&W είναι σχεδιασμένα έτσι ώστε να συμμορφώνονται με τις διεθνείς οδηγίες σχετικά με τον περιορισμό των επιβλαβών ουσιών (Restriction of Hazardous Substances – RoHS) στις ηλεκτρικές και ηλεκτρονικές συσκευές, καθώς και με την διάθεση ηλεκτρικών και ηλεκτρονικών αποβλήτων (Waste Electrical and Electronic Equipment – WEEE). Τα δύο σύμβολα σημαίνουν συμμόρφωση με τις οδηγίες αυτές, και ότι τα προϊόντα πρέπει να ανακυκλωθούν ή να υποστούν την κατάλληλη επεξεργασία.

Για περισσότερες πληροφορίες σχετικά με τη διάθεση ειδικών απορριμμάτων, απευθυνθείτε στις αρμόδιες υπηρεσίες των τοπικών αρχών.

Περιεχόμενα συσκευασίας

Η συσκευασία θα πρέπει να περιέχει:

- 2 Πώματα από αφρολέξ, αποτελούμενα από δύο τμήματα.
- 8 αυτοκόλλητα λαστιχένια πέλματα.

Εγκατάσταση των ηχείων

Η καλύτερη θέση τοποθέτησης των ηχείων είναι επάνω σε σταθερές βάσεις δαπέδου, με τα μεγάφωνα υψηλών συχνοτήτων (tweeters) να βρίσκονται στο ύψος των αυτιών. Μπορείτε να τοποθετήσετε τα ηχεία σε κάποιο ράφι ή να τα αναρτήσετε στον τοίχο με ένα ειδικό βραχίονα, όμως έτσι θα έχετε λιγότερες επιλογές ως προς τη ρύθμιση της θέσης τους, και κατά συνέπεια τη βελτιστοποίηση του ήχου.

Η βάση ή ο βραχίονας ανάρτησης που θα επιλέξετε θα επηρεάσει την απόδοση των ηχείων. Συνιστούμε τη βάση FS-700/CM της B&W.

Αν τοποθετήσετε τα ηχεία σε ράφι ή επάνω σε κάποιο έπιπλο, μπορείτε να κολλήσετε στη βάση τους τα λαστιχένια πέλματα που θα βρείτε στη συσκευασία.

Τοποθέτηση των ηχείων

Η ρύθμιση της τελικής θέσης των ηχείων μετά την αρχική εγκατάσταση πιθανότατα θα βελτιώσει την ηχητική ποιότητα, και αξίζει να αφιερώσετε κάποιο χρόνο για αυτήν.

Τόσο στα απλά στερεοφωνικά συστήματα όσο και στα συστήματα οικιακού κινηματογράφου, προσπαθήστε να τοποθετήσετε τα ηχεία έτσι, ώστε οι θέσεις των δύο ηχείων να έχουν παρόμοιο ακουστικό χαρακτήρα. Για παράδειγμα, αν το ένα ηχείο είναι τοποθετημένο κοντά σε ένα γυμνό τοίχο και το άλλο κοντά σε μαλακά έπιπλα ή κουρτίνες, η συνολική ηχητική ποιότητα και η στερεοφωνική εικόνα δεν θα είναι ιδιαίτερα καλές.

Συμβατικά στερεοφωνικά συστήματα

Η καλύτερη ηχητική απεικόνιση σε στερεοφωνικά συστήματα επιτυγχάνεται όταν τα ηχεία είναι τοποθετημένα σε απόσταση μεταξύ 1,5 και 3 μέτρων, και σχηματίζουν ένα νοητό ισόπλευρο τρίγωνο με τη θέση ακρόασης. Τα ηχεία θα πρέπει να απέχουν περίπου μισό μέτρο από τον πίσω και τους πλάγιους τοίχους (βλ. Εικόνα 1a).

Συστήματα οικιακού κινηματογράφου

Αν τα ηχεία θα χρησιμοποιηθούν για τα δύο εμπρόσθια κανάλια ενός συστήματος οικιακού κινηματογράφου, είναι γενικά καλύτερα να τοποθετηθούν πιο κοντά μεταξύ τους από ότι σε ένα απλό στερεοφωνικό σύστημα, γιατί τα ηχεία surround τείνουν να διευρύνουν την ηχητική εικόνα. Επίσης, τοποθετώντας τα ηχεία περίπου μισό μέτρο από τα άκρα της θόνης, η ηχητική απεικόνιση θα είναι σε "αναλογία" με την οπτική. Το ύψος των ηχείων θα πρέπει να είναι μεταξύ του κέντρου της θόνης και του κεντρικού ηχείου. Όπως και με τα στερεοφωνικά συστήματα, καλό είναι τα ηχεία να απέχουν τουλάχιστον μισό μέτρο από τους πλαινούς τοίχους. Αν έχετε τοποθετήσει τα ηχεία μπροστά από τοίχο, με αποτέλεσμα να τονίζονται τα μπάσα περισσότερο από όσο χρειάζεται, διαβάστε στην ενότητα "Τελικές Ρυθμίσεις" σχετικά με τη χρήση των πωμάτων από αφρολέξ.

Αν χρησιμοποιήσετε τα ηχεία στις θέσεις surround, τοποθετήστε τα όπως φαίνεται στις εικόνες 1c έως 1e, σύμφωνα με τον αριθμό των καναλιών. Για να έχετε ομοιόμορφη κάλυψη σε μία εκτεταμένη περιοχή ακρόασης, είναι καλύτερα τα ηχεία να βρίσκονται ψηλότερα από το ύψος το αυτιού.

Ελεύθερα μαγνητικά πεδία

Τα μεγάφωνα των ηχείων παράγουν μαγνητικό πεδίο που ξεπερνά τα όρια της καμπίνας. Για το λόγο αυτό δεν πρέπει να τοποθετηθούν σε απόσταση μικρότερη από μισό μέτρο από συσκευές που μπορούν να επηρεαστούν από το πεδίο αυτό, όπως είναι οι τηλεοράσεις και οι οθόνες των ηλεκτρονικών υπολογιστών. Οι τηλεοράσεις LCD και plasma δεν επηρεάζονται από τα μαγνητικά πεδία.

Συνδέσεις

Πριν κάνετε οποιαδήποτε σύνδεση θέστε όλες τις συσκευές του συστήματος εκτός λειτουργίας και βγάλτε τις από την πρίζα.

Στην πίσω πλευρά των ηχείων υπάρχουν δύο ζεύγη ακροδεκτών σύνδεσης στον ενισχυτή, τα οποία από το εργοστάσιο είναι ενωμένα μεταξύ τους με ειδικούς συνδέσμους. Αν συνδέσετε τα ηχεία με το συμβατικό τρόπο, αφήστε τους συνδέσμους στη θέση τους. Αν θέλετε να διπλοκαλωδίωσετε τα ηχεία, αφαιρέστε τους συνδέσμους, και συνδέστε ξεχωριστά κάθε ζεύγος ακροδεκτών στον ενισχυτή. Η διπλοκαλωδίωση βελτιώνει την ηχητική ανάλυση στις χαμηλές συχνότητες. Οι εικόνες 2a και 2b δείχνουν το συμβατικό τρόπο σύνδεσης και τη διπλοκαλωδίωση.

Συνδέστε το θετικό ακροδέκτη του ηχείου (με την ένδειξη "+") στο θετικό ακροδέκτη του ενισχυτή, και τον αρνητικό ακροδέκτη του ηχείου (με την ένδειξη "-") στον αρνητικό ακροδέκτη του ενισχυτή. Αν δεν τηρήσετε τη σωστή πολικότητα στις συνδέσεις, είναι πολύ πιθανό η ηχητική απεικόνιση να μην είναι καλή και τα μπάσα να είναι περιορισμένα.

Συμβουλευτείτε το κατάστημα από όπου αγοράσατε τα ηχεία σχετικά με τα καλώδια που πρέπει να χρησιμοποιήσετε. Καλό είναι, η συνολική αντίσταση των καλωδίων να είναι χαμηλότερη από τη μέγιστη τιμή που αναφέρεται στα τεχνικά χαρακτηριστικά. Χρησιμοποιήστε καλώδια χαμηλής επαγωγής για να αποφύγετε την μείωση των υψηλών συχνοτήτων.

Τελικές ρυθμίσεις

Πριν κάνετε τις τελικές ρυθμίσεις ελέγξτε πάλι όλες τις συνδέσεις του συστήματος και βεβαιωθείτε ότι έχουν γίνει σωστά και είναι ασφαλείς.

Απομακρύνοντας τα ηχεία από τον τοίχο θα μειώσετε το συνολικό επίπεδο των μπάσων. Επίσης, αν υπάρχει κάποια απόσταση μεταξύ της πίσω πλευράς των ηχείων και του τοίχου, δημιουργείται μία ηχητική αίσθηση βάθους. Αντίστοιχα, φέρνοντας τα ηχεία πιο κοντά στον τοίχο, τα μπάσα θα αυξηθούν. Για να ελαττώσετε τα μπάσα χωρίς να απομακρύνετε τα ηχεία από τον τοίχο, τοποθετήστε το πώμα από αφρολέξ (ή το δακτύλιο, για λιγότερο δραστηκή μείωση των μπάσων) στη θύρα ανάκλασης (Εικόνα 3).

Αν τα μπάσα ακούγονται "άνισα" σε σχέση με τις υπόλοιπες συχνότητες (υπερβολικά έντονα ή άτονα), πιθανότατα οφείλεται στην ακουστική του χώρου. Ακόμη και μικρές αλλαγές στη θέση των ηχείων ή τη θέση ακρόασης μπορούν να έχουν σημαντική επίδραση στη συμπεριφορά των ηχείων μέσα στο συγκεκριμένο χώρο. Δοκιμάστε να μετακινήσετε τη θέση ακρόασης ή να τοποθετήσετε τα ηχεία κατά μήκος ενός άλλου τοίχου. Η ύπαρξη και η θέση μεγάλων επίπλων στο χώρο μπορεί επίσης να επηρεάσει δραστικά το συνολικό άκουσμα.

Αν η κεντρική ηχητική εικόνα δεν είναι ιδιαίτερα εστιασμένη, δοκιμάστε να φέρετε τα ηχεία πιο κοντά το ένα στο άλλο ή να τους δώσετε μεγαλύτερη εσωτερική γωνία ώστε να "βλέπουν" καλύτερα προς τη θέση ακρόασης (βλ. Εικόνα 1b).

Αν ο ήχος είναι υπερβολικά τραχύς, τοποθετήστε περισσότερα μαλακά (απορροφητικά) έπιπλα στο χώρο ακρόασης (για παράδειγμα μπορείτε να χρησιμοποιήσετε πιο χοντρές κουρτίνες). Αντίστοιχα, αν ο ήχος είναι μουντός, ελαττώστε τις απορροφητικές επιφάνειες στο χώρο.

Ελέγξτε την ηχώ (flutter echoes) στο κέντρο το χώρο ακρόασης χτυπώντας τα χέρια σας και ακούγοντας τις γρήγορες επαναλήψεις του ήχου. Αν το φαινόμενο είναι έντονο, μπορείτε να το περιορίσετε τοποθετώντας στο χώρο ασύμμετρες επιφάνειες (π.χ. ράφια, βιβλιοθήκες κ.λπ.) και μεγάλα έπιπλα.

Βεβαιωθείτε ότι οι βάσεις των ηχείων είναι απόλυτα κάθετες και σταθερές στο δάπεδο. Αν στο πάτωμα υπάρχει χαλί, χρησιμοποιήστε τις ακίδες στήριξης και ρυθμίστε τις ώστε να εξισορροπήσουν τα ηχεία αν το δάπεδο δεν είναι απόλυτα επίπεδο.

Περίοδος προσαρμογής

Η απόδοση των ηχείων θα βελτιωθεί αισθητά κατά την αρχική περίοδο λειτουργίας τους. Εάν τα ηχεία ήταν αποθηκευμένα σε κρύο περιβάλλον, τα μονωτικά υλικά και τα συστήματα ανάρτησης των μεγαφώνων θα χρειαστούν κάποιο χρόνο για να ανακτήσουν τις πραγματικές τους ιδιότητες. Ο χρόνος που χρειάζεται κάθε ηχείο για να αποδώσει σύμφωνα με τις δυνατότητές του εξαρτάται από τις συνθήκες στις οποίες ήταν αποθηκευμένο και από τον τρόπο που χρησιμοποιείται. Η προσαρμογή των ηχείων στη θερμοκρασία του περιβάλλοντος μπορεί να χρειαστεί έως και μία εβδομάδα, ενώ τα μηχανικά του μέρη θέλουν γύρω στις 15 ώρες κανονικής χρήσης για να αποκτήσουν τα χαρακτηριστικά με τα οποία έχουν σχεδιαστεί.

Ωστόσο έχουν αναφερθεί και μεγαλύτερες περιόδους προσαρμογής (έως και ένας μήνας), αλλά πιθανότατα αυτό έχει να κάνει όχι τόσο με την πραγματική αλλαγή/προσαρμογή των ηχείων, αλλά κυρίως με το χρόνο που χρειάζονται οι ακροατές για να συνηθίσουν στο νέο ήχο. Αυτό το φαινόμενο είναι περισσότερο έντονο με υψηλής ποιότητας ηχεία όπως αυτά, τα οποία αποδίδουν πολύ περισσότερες ηχητικές λεπτομέρειες σε σχέση με το τι έχουν συνηθίσει οι ακροατές. Ο ήχος μπορεί στην αρχή να ακούγεται κάπως έντονος και ίσως λίγο "σκληρός". Μετά από κάποιο διάστημα το συνολικό άκουσμα θα "μαλακώσει", χωρίς όμως να χάσει τη διαύγεια και την ακρίβειά του.

Φροντίδα των ηχείων

Κανονικά, ο μόνος καθαρισμός που απαιτεί το φινιρίσμα των ηχείων είναι ένα ξεσκόνισμα. Εάν θέλετε να χρησιμοποιήσετε κάποιο καθαριστικό με

τη μορφή σπρέι, αφαιρέστε πρώτα την προστατευτική γρίλια, τραβώντας την προσεκτικά από την καμπίνα. Ρίξτε το σπρέι στο πανί με το οποίο θα καθαρίσετε το ηχείο και όχι κατευθείαν επάνω στην καμπίνα. Δοκιμάστε το πρώτα σε μία μικρή επιφάνεια γιατί κάποια καθαριστικά μπορεί να προκαλέσουν ζημιά. Μην χρησιμοποιείτε ιδιαίτερα δραστικά καθαριστικά, ή καθαριστικά που περιέχουν οξέα, αλκαλικά στοιχεία ή αντιβακτηριδιακά, και σε καμία περίπτωση μην χρησιμοποιήσετε καθαριστικά στα μεγάφωνα. Φροντίστε να μην πέσει καθαριστικό επάνω στη γρίλια, γιατί μπορεί να αφήσει σημάδια. Καθαρίστε το ύφασμα της γρίλιας – αφού την αφαιρέσετε από το ηχείο – με μία απλή βούρτσα ρούχων. Αποφύγετε να αγγίζετε τα μεγάφωνα και κυρίως το tweeter, γιατί μπορεί να του προκαλέσετε ζημιά.

Το ξύλο είναι ένα φυσικό, ζωντανό υλικό, και γι' αυτό η καμπίνα του ηχείου "αντιδρά" στις συνθήκες του περιβάλλοντος. Για να αποφύγετε το ενδεχόμενο εμφάνισης ρωγμών στην επιφάνεια της, μην τοποθετήσετε το ηχείο κοντά σε πηγές θερμότητας, όπως καλοριφέρ, κλιματιστικά, τζάκια κ.λπ. Το φινιρίσμα της καμπίνας των ηχείων της B&W είναι ένα βερνίκι που παρέχει προστασία κατά της υπερϊώδους ακτινοβολίας, μειώνοντας έτσι σημαντικά το ξεθώριασμα του χρώματος με την πάροδο του χρόνου. Ωστόσο, σε κάποιο βαθμό αυτό θα συμβεί. Η αλλαγή αυτή θα είναι περισσότερο εμφανής στα σημεία που είναι περισσότερο εκτεθειμένα στο φως, σε σχέση με αυτά που είναι σκιασμένα. Μπορείτε να περιορίσετε τις διαφορές στο χρώμα, εκθέτοντας εξίσου όλες τις επιφάνειες της καμπίνας στο φως του ήλιου, ή, αν θέλετε να επιταχύνετε τη διαδικασία, χρησιμοποιώντας – πολύ προσεκτικά – μία υπεριώδη λάμπα.

Περιορισμένη εγγύηση

Το προϊόν που αγοράσατε έχει σχεδιαστεί και κατασκευαστεί με τις υψηλότερες προδιαγραφές ποιότητας. Ωστόσο, αν συναντήσετε το παραμικρό πρόβλημα με τη λειτουργία του, η B&W Group Ltd. και οι αντιπρόσωποί της σε όλες τις χώρες σας παρέχουν εγγύηση για δωρεάν επισκευή (με την πιθανότητα κάποιων εξαιρέσεων) και αντικατάσταση εξαρτημάτων, σε όλες τις χώρες που υπάρχει επίσημος αντιπρόσωπος της B&W. Η περιορισμένη αυτή εγγύηση ισχύει για περίοδο πέντε ετών από την ημερομηνία αγοράς του προϊόντος, ή δύο ετών αν πρόκειται για αυτοεπισκευόμενα ηχεία που περιλαμβάνουν ηλεκτρονικά εξαρτήματα.

Όροι της εγγύησης

1. Η εγγύηση καλύπτει μόνο την επισκευή των προϊόντων. Δεν καλύπτει τα έξοδα αποστολής ή οποιαδήποτε άλλα έξοδα, ούτε και

ενδεχόμενους κινδύνους που μπορεί να προκύψουν από την απεγκατάσταση, τη μεταφορά και την εγκατάσταση των προϊόντων.

2. Η παρούσα εγγύηση ισχύει μόνο για τον αρχικό ιδιοκτήτη του προϊόντος, και δεν μπορεί να μεταβιβαστεί.
3. Η παρούσα εγγύηση δεν ισχύει για περιπτώσεις άλλες από αυτές που περιλαμβάνουν ελαττωματικά υλικά ή/και ανθρώπινο σφάλμα κατά τη στιγμή της αγοράς του προϊόντος. Η παρούσα εγγύηση δεν ισχύει στις εξής περιπτώσεις:
 - a. Για ζημιές που προέκυψαν από λανθασμένη εγκατάσταση, σύνδεση ή συσκευασία.
 - b. Για ζημιές που προέκυψαν από χρήση διαφορετική από αυτή που περιγράφεται στο εγχειρίδιο οδηγιών, από αμέλεια, μετατροπές, ή χρήση εξαρτημάτων που δεν είναι κατασκευασμένα ή εγκεκριμένα από την B&W.
 - c. Για ζημιές που οφείλονται σε ελαττωματικές ή ακατάλληλες τρίτες συσκευές.
 - d. Για ζημιές που οφείλονται σε ατύχημα, κεραυνό, νερό, φωτιά, υψηλές θερμοκρασίες, κοινωνικές αναταραχές, ή σε οποιαδήποτε άλλη αιτία που δεν σχετίζεται και δεν ελέγχεται από την B&W.
 - e. Για προϊόντα των οποίων ο αριθμός σειράς έχει αλλάξει, διαγραφεί, αφαιρεθεί ή έχει γίνει δυσανάγνωστος.
 - f. Αν έχουν γίνει επισκευές ή τροποποιήσεις από μη εξουσιοδοτημένα πρόσωπα (δηλαδή από πρόσωπα που δεν έχουν την επίσημη έγκριση της B&W για να εκτελέσουν τις άνω εργασίες).
4. Η παρούσα εγγύηση ισχύει συμπληρωματικά σε οποιοδήποτε εθνικές ή τοπικές νομικές υποχρεώσεις των πωλητών ή των εθνικών αντιπροσώπων, και δεν επηρεάζει τα νομικά δικαιώματα που έχετε ως πελάτης.

Για να επικυρώσετε την εγγύηση θα πρέπει να συμπληρώσετε το σχετικό φυλλάδιο και να το στείλετε στην αντιπροσωπεία της B&W, σφραγισμένο από το κατάστημα από όπου αγοράσατε το προϊόν. Εναλλακτικά, μπορείτε για ενδεχόμενη επισκευή να προσκομίσετε την αρχική απόδειξη αγοράς ή οποιοδήποτε άλλο στοιχείο αποδεικνύει την κατοχή και την ημερομηνία αγοράς του προϊόντος.

Πώς να απαιτήσετε επισκευή στα πλαίσια της εγγύησης

Αν το προϊόν που αγοράσατε χρειαστεί επισκευή, ακολουθήστε την πιο κάτω διαδικασία:

1. Αν το προϊόν χρησιμοποιείται στη χώρα που αγοράστηκε, επικοινωνήστε με την αντιπροσωπεία της B&W ή με το κατάστημα από όπου το αγοράσατε.
2. Αν το προϊόν χρησιμοποιείται σε διαφορετική χώρα από αυτήν που αγοράστηκε, θα πρέπει να επικοινωνήσετε με την αντιπροσωπεία της B&W στη χώρα αυτή, από όπου και θα πληροφορηθείτε πού μπορεί να γίνει η επισκευή του προϊόντος. Μπορείτε να τηλεφωνήσετε στα κεντρικά γραφεία της B&W, στο Ηνωμένο Βασίλειο (+44 1903 221 500), ή να επισκεφτείτε την ιστοσελίδα μας (www.bwspeakers.com), για να μάθετε τα στοιχεία των κατά τόπους αντιπροσώπων της B&W.

Русский

Руководство по эксплуатации

Уважаемый покупатель!

Благодарим за приобретение акустических систем (АС) производства компании Bowers & Wilkins. Пожалуйста, внимательно прочтите данное руководство. Оно поможет оптимизировать характеристики Вашей аудиосистемы. B&W поддерживает сеть специализированных дистрибьюторов более чем в 60-ти странах. Если Вас возникли какие-либо проблемы, с которыми не может справиться дилер, наши дистрибьюторы охотно придут на помощь.

Информация по защите окружающей среды



Все продукты B&W созданы в полном соответствии с международными директивами по ограничению использования опасных материалов (Restriction of Hazardous Substances – RoHS) в электрическом и электронном оборудовании, а также по его утилизации (Waste Electrical and Electronic Equipment – WEEE). Знак перечеркнутого мусорного бака означает соответствие директивам и то, что продукт должен быть правильно утилизован или переработан. Проконсультируйтесь с вашей местной организацией, которая занимается утилизацией отходов, по вопросам правильной сдачи вашего оборудования в утиль.

Содержание упаковки

Проверьте комплектацию:

- 2 составные поролоновые заглушки.
- 8 самоклеящихся резиновых опор.

Установка колонок

Колонки лучше всего устанавливать на прочные напольные стойки так, чтобы твитеры располагались приблизительно на высоте ушей сидящих слушателей. Возможна также установка на полку или подвеска на стену, но они дают меньше возможностей для оптимизации звучания за счет выбора ориентации АС.

Выбор стоек или настенных креплений влияет на качество звучания АС. Рекомендуются подставки B&W FS-700/CM.

Если колонки размещаются на полке или мебели, то к их основанию можно приклеить резиновые опоры, входящие в комплект.

Выбор места для колонок

После начальной установки следует попробовать более точно выбрать место для АС, т.к. это может дополнительно улучшить качество звучания.

В системах домашнего театра или стерео системах старайтесь сделать так, чтобы ближнее окружение каждой из колонок было похожим по акустическим свойствам. Например, если одна АС примыкает к голым стенам, а другая – к мягкой мебели и шторам, то это может отрицательно повлиять на звучание.

Обычные стерео системы

Для начала расположите АС на расстоянии от 1,5 до 3 м друг от друга в двух углах равностороннего треугольника, третий угол которого – это центр зоны прослушивания. Колонки должны быть на расстоянии по крайней мере 0,5 м от задней и боковых стен. На Рис. 1 а показано рекомендуемое расположение.

Системы Домашнего Театра

Если АС используются как фронтальные каналы в домашнем театре, они должны стоять ближе друг к другу, чем в 2-канальном варианте, т.к. тыловые каналы расширяют образ. Размещение АС на расстоянии приблизительно по 0,5 м от сторон экрана также помогает согласовать масштаб звукового и зрительного образа. Высота фронтальных АС должна быть где-то между центром экрана и уровнем центральной колонки. Как и в случае обычного стерео, АС должны в идеале располагаться на расстоянии не менее 0,5 м от задней и боковых стен. Если колонки предпочтительно установить вплотную к задней стене, и это приводит к излишнему подчеркиванию басов, смотрите раздел "Тонкая настройка" в этой инструкции, где даются советы по использованию поролоновых заглушек.

Если АС используются в качестве тыловых, то их размещение иллюстрируется на Рис. 1с – 1е в соответствии числом каналов. Для получения расширенной зоны прослушивания с ровным звуковым полем необходимо немного приподнять АС над уровнем ушей.

Рассеянное магнитной поле

Динамики колонок создают магнитное поле, выходящее за их пределы. Мы рекомендуем держать магниточувствительные предметы (кинескопные телевизоры, дисплеи, дискиеты, магнитные аудио и видеокассеты, карточки и т.п.) на расстоянии минимум 0,5 м от колонок. LCD и плазменные панели не подвержены действию магнитных полей.

Подсоединение

Все подключения делаются только при выключенном оборудовании.

На задней стороне АС находятся две связанных пары клемм. При обычном подсоединении переключатель между ними должен оставаться на месте (как при поставке) и только одна пара клемм подключается к усилителю. Для соединения би-ваерингом переключатель нужно удалить и каждую пару клемм подключать к усилителю отдельно. Такое подсоединение

позволяет улучшить разрешение деталей на низких частотах. На Рис. 2а и 2б показаны обычное и би-ваеринг подключение.

Подсоедините плюсовой разъем колонки (со знаком + и окрашенный в красный) к плюсовому выходу усилителя, а минусовой (со знаком – и окрашенный в черный) – к минусовому на усилителе. Неверное подключение приведет к искажению звукового образа и утере басов.

Попросите вашего дилера порекомендовать кабель. Старайтесь, чтобы его импеданс был ниже максимально допустимого в спецификации, а индуктивность тоже была низкой, чтобы не ослабить высокие частоты.

Тонкая настройка

Перед окончательной точной настройкой убедитесь, что все подключено правильно и надежно.

Отдвигая колонки от стен, вы, как правило, уменьшаете уровень басов. Достаточное расстояние позади колонок позволяет также создать ощущение глубины. Соответственно, придвинув колонки к стенам, вы увеличите долю басов. Если вы хотите снизить уровень басов, не отдавывая колонки от стен, вставьте поролоновую заглушку в порт фазоинвертора, или же – для не такого резкого снижения – поролоновое кольцо. Установка поролоновой заглушки или кольца показана на Рис. 3.

Неравномерное распределение басов обычно вызывается стоячими волнами в комнате, и поэтому имеет смысл поэкспериментировать с расстановкой обоих колонок и выбором места слушателя. Попробуйте расположить колонки вдоль другой стены. На звучание может повлиять даже перемещение крупной мебели.

Если звуковой образ в центре слабоват, попробуйте пододвинуть колонки ближе друг к другу или же направить в точку перед слушателями. На Рис. 1 б показано, как колонки развернуть внутрь.

Если звук слишком резкий, добавьте мягкую мебель в комнату (например, повесьте тяжелые шторы), или наоборот – уберите их, если звук глухой и безжизненный.

Некоторые помещения страдают от эффекта эхо, вызванного параллельностью стен. Подобное эхо может окрасить звук АС в комнате. Проверьте свойства помещения, ударив в ладоши и прислушиваясь к быстрым отзвукам. Их можно уменьшить за счет использования нерегулярных поверхностей, таких как книжные полки или крупногабаритная мебель на одной из стен или ковер на полу.

Удостоверьтесь в том, что стойки для АС вертикальны и прочно стоят на полу. Если на полу ковер, установите шипы и выровняйте с их помощью колонки, но после того, как вы выбрали оптимальную позицию.

Прогрев и приработка

Звучание АС слегка меняется в течение начального периода прослушивания. Если колонка хранилась в холодном помещении, то для демпфирующих материалов и подвеса динамиков потребуется некоторое время на восстановление механических свойств. Подвес диффузора также слегка снижает свою жесткость в течение первых часов работы. Время, которое потребуется АС для полного выхода на расчетные характеристики зависит от условия хранения и интенсивности использования. Как правило, потребуется неделя на устранение температурных эффектов и около 15 часов на достижение механическими частями желаемых характеристик.

К нам иногда поступают отзывы, что необходимо более длительный период приработки (например, месяц), однако это, как правило, не имеет отношения к изменениям в свойствах АС, а скорее всего связано с привыканием слушателя к новому для него звучанию. Это прежде всего относится к колонкам с высокой разрешающей способностью, где слушателю может открыться значительно большее количество деталей, чем то, к которому он ранее привык; звучание поначалу может показаться чересчур «выпяченным» и немного трудным для восприятия. Однако после более или менее продолжительного времени вам покажется, что звук стал мягче и приятнее, но без какой-нибудь утери ясности и детальности.

Уход за колонками

Поверхность корпуса обычно требует лишь чистки от пыли. Если вы хотите использовать аэрозоль или другое чистящее средство, сначала снимите защитные решетки, осторожно потянув их из корпуса. Распыляйте аэрозоль только на чистящую ткань, а не прямо на продукт. Для начала проверьте действие чистящего средства на малом участке, т.к. некоторые средства могут повредить поверхность. Избегайте абразивных, кислотных, щелочных или антибактериальных веществ. Не используйте чистящие средства для динамиков. Ткань защитной решетки можно почистить обычной платяной щеткой, когда решетка снята с корпуса. Не прикасайтесь к динамикам, особенно к твиттеру, т.к. его легко повредить.

Для того чтобы избежать растрескивания отделки колонок, держите их подальше от источников тепла, таких как радиаторы или теплоiventилляторы. Когда колонки Bowers & Wilkins отделаны натуральным шпоном, то мы тщательно подбираем самые лучшие сорта фанеры и покрываем ее лаком, устойчивым к воздействию ультрафиолетовых лучей, чтобы минимизировать изменения цвета со временем. Тем не менее, подобно всем природным материалам, шпон реагирует на воздействие окружающей среды, и какая-то степень его выцветания может наблюдаться. Этот эффект

особенно заметен, когда часть колонки закрыта защитной решеткой или остается в тени и поэтому светлеет медленнее. Разницу в оттенках можно выправить, выставив всю поверхность АС на солнце до тех пор, пока она не исчезнет. Этот процесс может занять несколько дней или даже неделю, но его можно ускорить с помощью аккуратного использования ультрафиолетовой лампы.

Ограниченная гарантия

Данное изделие было разработано и произведено в соответствии с высочайшими стандартами качества. Однако, при обнаружении какой-либо неисправности, компания B&W Group Ltd. и её национальные дистрибьюторы гарантируют бесплатный ремонт (существуют некоторые исключения) и замену частей в любой стране, обслуживаемой официальным дистрибьютором компании B&W.

Данная ограниченная гарантия действительна на период одного года со дня приобретения изделия конечным потребителем.

Условия гарантии

- 1 Данная гарантия ограничивается починкой оборудования. Затраты по перевозке и любые другие затраты, а также риск при отключении, перевозке и инсталлировании изделий не покрываются данной гарантией.
- 2 Действие данной гарантии распространяется только на первоначального владельца. Гарантия не может быть передана другому лицу.
- 3 Данная гарантия распространяется только на те неисправности, которые вызваны дефектными материалами и/или дефектами при производстве на момент приобретения и не распространяется:
 - a. на повреждения, вызванные неправильной инсталляцией, подсоединением или упаковкой,
 - b. на повреждения, вызванные использованием, не соответствующим описанному в руководстве по применению, а также неправильным обращением, модифицированием или использованием запасных частей, не произведённых или не одобренных компанией B&W,
 - v. на повреждения, вызванные неисправным или неподходящим вспомогательным оборудованием,
 - г. на повреждения, вызванные несчастными случаями, молнией, водой, пожаром, войной, публичными беспорядками или же любыми другими факторами, не подпадающими под контроль компании B&W и её официальных дистрибьюторов,

д. на изделия, серийный номер которых был изменён, уничтожен или сделан неизвестным,

е. на изделия, починка или модификация которых производились лицом, не уполномоченным компанией B&W.

4 Данная гарантия является дополнением к национальным/региональным законодательствам, которым подчиняются дилеры или национальные дистрибьюторы, то есть при возникновении противоречий, национальные/региональные законодательства имеют приоритетную силу. Данная гарантия не нарушает Ваших прав потребителя.

Куда обратиться за гарантийным обслуживанием

При необходимости получения гарантийного обслуживания, выполните следующие шаги:

- 1 Если оборудование используется в стране приобретения, Вам необходимо связаться с уполномоченным дилером компании B&W, у которого было приобретено оборудование.
- 2 Если оборудование используется за пределами страны приобретения, Вам необходимо связаться с национальным дистрибьютором компании B&W в данной стране, который посоветует Вам, где можно починить оборудование. Вы можете позвонить в компанию B&W в Великобритании или же посетить наш вебсайт, чтобы узнать контактный адрес Вашего местного дистрибьютора.

Для получения гарантийного обслуживания, Вам необходимо предоставить гарантийный талон, заполненный Вашим дилером и с поставленной им в день приобретения оборудования печатью; или же чек продажи или другое доказательство владения оборудованием и даты приобретения.

Česky

Návod k použití

Vážený zákazníku

Děkujeme vám, že jste si vybral výrobek firmy B&W. Dříve než výrobek rozbalíte a nainstalujete, přečtěte si prosím pozorně celý tento manuál. Pomůže Vám to optimalizovat výsledný efekt. Firma B&W udržuje ve více než 60ti zemích síť autorizovaných distributorů, kteří Vám pomohou vyřešit problém v případě, že Vám nemůže pomoci Váš prodejce.

Informace k životnímu prostředí



Produkty B&W jsou konstruovány tak, aby byly zcela v souladu s mezinárodními nařízeními požadujícími omezení nebezpečných materiálů v elektrických a elektronických zařízeních (RoHS) a možnost likvidace opotřebovaných elektrických a elektronických zařízení (WEEE). Symbol přeškrtnuté popelnice značí soulad s nařízeními na recyklovatelnost výrobku, či možnost jiného zpracování požadovaného těmito předpisy.

Obsah balení

Zkontrolujte zda balení obsahuje:

- 2 pěnové basreflexové ucpávky
- 8 samolepicích gumových podložek

Instalace reprosoustav

Reprosoustavy je nejlépe umístit na rigidní podlahové stojany tak, aby se výškové reproduktory nacházely zhruba ve výšce uší sedícího posluchače. Umístění na polici či nástěnný držák je také možné, neposkytuje však takové možnosti finálního doladění pozice reprosoustav.

Každý stojan či nástěnný držák může mít vliv na výsledný zvuk reprosoustav. Doporučujeme proto specializovaný stojan B&W FS-700/CM.

Mají-li být reprosoustavy postaveny přímo na polici či nábytek, nalepte na spodní stranu jejich ozvučnice dodávané samolepicí podložky.

Volba pozice reprosoustav

Správná volba pozice pro umístění reprosoustav je velmi důležitá, protože může výrazně ovlivnit výsledný zvukový efekt. Následující řádky vám mohou poskytnout pár tipů.

At' se již jedné o stereo, či instalaci domácího kina, vždy se snažte, aby všechny reprosoustavy měly stejný akustické podmínky. Je-li například jedna reprosoustava umístěna blíže k holé zdi, zatímco druhá je blíže čalouněnému nábytku či závěsu, dojde pravděpodobně ke špatnému stereofonnímu zobrazení.

Klasické stereo systémy

Pro začátek umístěte reprosoustavy 1,5m až 3m od sebe tak, aby tvořily s místem poslechu rovnostranný trojúhelník. Reprosoustavy by se

přítom měly nacházet zhruba 0,5m od stěny která je za nimi a minimálně 0,5m od bočních zdí. Toto rozestavení reprosoustav znázorňuje obrázek 1a.

Systémy pro domácí kino

Mají-li být reprosoustavy použity pro přední kanály v systému domácího kina, lze je umístit blíže k sobě než u dvoukanalového audia, protože surroundové kanály prostorovost reprodukce rozšíří. Umístěte reprosoustavy zhruba 0,5m od stran zobrazovače, aby bylo docíleno souladu šíře zvuku s rozměrem obrazu. Výška umístění reprosoustav by měla být zvolena někde mezi středem zobrazovače a výškou umístění centru. Stejně jako při stereo instalaci je ideální, aby se reprosoustavy nacházely zhruba 0,5m od stěny za nimi a minimálně 0,5m od všech bočních zdí. Je-li nutno reprosoustavy umístit ke zdem blíže a přítom dochází k přílišnému zdůraznění basů, použijte pěnové ucpávky do basreflexu, jak je popsáno v odstavci Finální doladění.

Jsou-li reprosoustavy použity pro surroundové kanály v systému domácího kina, umístěte je tak, jak znázorňují obrázky 1c až 1e v závislosti na počtu kanálů. Pro docílení rovnoměrného pokrytí poslechového prostoru bývá přínosné, umístit reprosoustavy nad výšku uší posluchače.

Rozptyl magnetického pole

Jednotlivé reproduktory produkují stálé magnetické pole, které přesahuje rozměr reprosoustavy. Doporučujeme tedy umístit předměty citlivé na magnetismus (televizory a počítačové monitory s klasickou vakuovou obrazovkou, počítačové disky, audio a video kazety atd.) do vzdálenosti více než 0,5m od reprosoustavy, aby se zabránilo jejich poškození magnetickým polem. Plazmové a LCD zobrazovače nejsou na toto magnetické pole citlivé.

Zapojení

Veškerá zapojení provádějte pouze tehdy, jsou-li všechna zařízení v systému vypnuta.

Na zadní straně reprosoustavy jsou dva páry terminálů spojené propojkami. Při klasickém způsobu zapojení ponechte propojky na místě (jak jsou při dodání) a zapojte jen jeden z terminálových párů k zesilovači. Pro zapojení bi-wire propojky odstraněte a každý pár terminálů připojte k zesilovači zvlášť. Zapojení bi-wiring zlepšuje podání detailů v reprodukci basů. Obrázky 2a a 2b znázorňují klasické a bi-wire zapojení.

Dbejte, aby kladný kontakt reprosoustavy (označený červeně a znaménkem +) byl připojen ke kladnému kontaktu zesilovače a záporný kontakt (označený černě a znaménkem -) k zápornému. Nesprávné zapojení může mít za následek špatný stereofonní obraz a úbytek basů.

V otázce výběru vhodného kabelu kontaktujte svého prodejce. Dbejte, aby celková impedance nepřesahovala doporučené maximum a použijte kabel s nízkou induktancí, aby se nezhoršila reprodukce vyšších frekvencí.

Finální doladění

Před konečným doladěním znovu zkontrolujte, zda je veškeré zapojení provedeno správně a pevně.

Oddálením reprodustav od zdi lze snížit celkový objem basů. Větší vzdálenost mezi reprodustavami a stěnou může také v reprodukci vylepšit hloubku prostoru. Pokud naopak chcete basy zdůraznit, zkuste reprodustavy ke zdi přiblížit. Je-li potřeba objem basů snížit a přitom nechcete s reprodustavami hýbat, můžete basy omezit použitím tlumících pěnových zátek (kroužků) do basreflexových otvorů. Aplikace pěnových zátek je znázorněna na obrázku 3.

Nepříjemné zdůraznění basů může být také způsobeno rezonančními mody místnosti. V takovém případě zkuste měnit umístění obou reprodustav i místo poslechu, velký vliv může mít také přemístění větších kusů nábytku.

Je-li slabá reprodukce ve středu prostoru mezi reprodustavami, zkuste zmenšit vzdálenost která mezi nimi je, nebo oddálit místo poslechu. Pomocí může také natočení reprodustav směrem k sobě, které znázorňuje obrázek 1b.

Je-li zvuk příliš ostrý, zatlumte místnost například nějakým čalouněným nábytkem (pomohou také těžké závěsy), nebo naopak takový nábytek omezte v případě, že je zvuk mdlý a utlumený.

Některé místnosti mohou způsobovat dlouhé dozívání zvuku a ozvěnu tón, že se zvuk mezi zdmi odráží a „tluče“. Otestujte dozívání zvuku tlesknutím dlaní a následným polechem ozvěny. Ozvěna může být redukována nepravidelnostmi ploch zdí, například policemi či kusy nábytku.

Zabezpečte, aby reprodustavy na stojanech stály na zemi pevně. Budete-li je stavět na koberec, použijte po nalezení optimální pozice hroty které kobercem proniknou až k pevné podlaze. Hroty nastavte tak, aby se reprodustava se stojanem nekolébala.

Rozehrávání reprodustav

Zvuk reprodustav se během určité doby používání mírně mění. Zvláště pokud byly reprodustavy skladovány v chladném prostředí, nabývají tlumící závěsy a některé materiály v reproduktorech teprve během provozu své správné mechanické vlastnosti.

Během prvních hodin provozu se jednotlivé části reproduktorů navzájem ideálně přizpůsobují. Délka tohoto procesu, během kterého reprodustava postupně zvukově „vyzrává“ je velmi závislá na způsobu předchozího skladování a způsobu používání. Bývá pravidlem, že po zhruba týdnu teplotní stabilizace a asi 15 hodinách běžného provozu, dosáhnou použité mechanické díly svých optimálních charakteristik.

Nicméně i po delší době rozehrávání (i po jednom měsíci), dochází ke změnám v charakteru zvuku. Dle zkušeností začne být zvuk plastičtější a zároveň hladší, aniž by se však vytratily detaily. Efekt

rozehrávání je zvláště patrný právě u vysoce kvalitních reprodustav.

Údržba

Povrch ozvučnice vyžaduje pouze občasně setření prachu. Chcete-li použít nějaký aerosolový čisticí prostředek, demontujte napřed z jemným tahem od ozvučnice mřížku. Používáte-li čisticí prostředek ve spreji, nastříkejte jej napřed na utěrku, ne přímo na kabinet. Odmontovaná mřížka může být čistěna normálním kartáčkem na šaty. Vyvarujte se dotyku s membránami reproduktorů, zvláště pak vysokotónového, mohlo by snadno dojít k jejich poškození.

Abyste předešli popraskání povrchu ozvučnice, neumist'ujte reprodustavy v blízkosti zdrojů tepla, jakými jsou například radiátory či horkovzdušné ventilátory. V případě, že je povrchová úprava reprodustav tvořena pravou dřevěnou dýhou, používá firma Bowers & Wilkins pečlivě vybraný materiál a UV rezistentní lak, aby se co nejvíce omezila změna barevného odstínu. Nicméně, jako všechny přírodní materiály, tak i dřevěná dýha určitým způsobem reaguje na okolní prostředí a tak může během času k drobným změnám barevného odstínu dojít. Tento efekt bývá nejvíce patrný na přechodu mezi místem kde je dýha zakryta mřížkou a ostatními plochami, případně mezi plochou vystavenou přímému světlu a plochou která je většinou ve stínu. To lze obvykle srovnat rovnoměrným vystavením celého povrchu slunečnímu záření, dokud rozdíly nezmizí. Takový proces může trvat několik dní či týdnů, lze jej však urychlit opatrným použitím UV lampy.

Záruka

Výrobky firmy B&W jsou vyráběny tak, aby vyhověly všem požadavkům našeho náročného zákazníka. Nicméně, vznikne-li přesto nějaká závada, firma B&W Group Ltd. a její místní dovozce udělají vše potřebné, aby váš výrobek byl bezplatně (krom uvedených výjimek) opraven či uveden do řádného stavu.

Záruka běží po dobu 5 let a vztahuje se na neelektronické součásti výrobku. Dvouletá záruka je pak poskytována na veškeré elektronické součásti výrobků včetně zesilovačů aktivních reprodustav.

Podmínky záruky

- 1 Záruka se vztahuje pouze na opravy výrobků. Nepokrývá přepravu reklamovaného výrobku do servisního střediska, manipulaci s ním a ani žádná rizika z přepravy a manipulace plynoucí.
- 2 Záruka platí pouze pro prvního kupce výrobku, při dalším prodeji se již nepneší.
- 3 Práva vyplývající ze záruky nebudou uznána v případě jiných závad než závad materiálu a dílenského zpracování a dále zejména v těchto případech:

- a. výrobky byly špatně nainstalovány, zapojeny nebo špatně uskladněny či zabaleny,
 - b. výrobky byly zapojeny či použity jinak než se uvádí v návodu k použití, byla zanedbána jejich údržba, byly modifikovány nebo byly použity jiné než originální náhradní díly,
 - c. výrobky byly používány společně s nevhodným zařízením,
 - d. výrobky byly poškozeny nehodou, bleskem, vodou, ohněm, válkou, veřejnými nepokoji nebo nějakou jinou okolností za kterou firma B&W Group Ltd. ani její místní dovozce nemohou nést odpovědnost,
 - e. výrobní číslo výrobků bylo změněno, smazáno, odstraněno nebo se stalo nečitelným,
 - f. výrobky byly opravovány neautorizovanou osobou.
- 4 Tato záruka doplňuje místní právní úpravu záruční doby dle té které země a neplatí v těch bodech, které jsou s místní právní úpravou v rozporu. To neplatí v případech, kdy tato záruka jde nad rámec místní úpravy.

Uplatnění záruky

Uplatňujete-li reklamaci, postupujte prosím dle následujících kroků:

- 1 Reklamujete-li výrobek v zemi, ve které byl i zakoupen, kontaktujte autorizovaného prodejce výrobků B&W, kde jste výrobek zakoupili.
- 2 Reklamujete-li výrobek v jiné zemi, než ve které byl zakoupen, kontaktujte dovozce, který servis zajistí. Příslušného dovozce zjistíte buď přímo telefonicky u firmy B&W nebo na jejich www stránkách.

Při uplatňování záruky se vždy prokazujte záručním listem, který musí být opatřen datem prodeje, razítkem a podpisem autorizovaného prodejce. Alternativně se můžete prokázat paragonem či fakturou na základě které jste výrobek koupili. I tyto doklady musí obsahovat datum, podpis a razítko autorizovaného prodejce.

Magyar Használati útmutató

Tisztelt Vásárlónk!

Köszönjük, hogy Bowers and Wilkins hangszugárzó vásárolt. Figyelmesen olvassa el a kezelési útmutatót a termék kicsomagolása és üzembe helyezése előtt. Segíteni fog a termék optimális használatában. A B&W több mint 60 országra kiterjedő hivatalos képviselői hálózata segítséget nyújt Önnek minden olyan problémában, amiben a kereskedője nem tud felvilágosítással szolgálni.

Környezeti információk



A B&W termékeket az elektromos és elektronikus berendezésekben előforduló veszélyes alapanyagokra vonatkozó korlátozó (RoHS), valamint az elektronikus és elektromos berendezések hulladékként történő elhelyezésére vonatkozó nemzetközi előírásoknak (WEE) megfelelően tervezték. Ezek a szimbólumok megfelelést jelölnek, valamint azt, hogy a terméket ezeknek az előírásoknak megfelelően kell újrahasznosítani, feldolgozni. Lépjen kapcsolatba a helyi hatóságokkal, ha tanácsra van szüksége.

Tartozékok ellenőrzése

A csomagnak a következőket kell tartalmaznia:

- 2 két részes szivacs dugó
- 8 öntapadó gumitalp

A hangszugárzó üzembe helyezése

A hangszugárzókat a legjobb a merev padlóra támaszkodó állványra helyezni, ahol a magassugárzók körülbelül fülmagasságban helyezkednek el ülő helyzetben. A polcra vagy konzollal történő elhelyezés szintén lehetséges, de kevesebb lehetőséget kínál a hang optimalizálására a hangszugárzó pozíció módosításával.

A használt állvány vagy fali konzol befolyásolja a hangszugárzó hangminőségét. A B&W FS-700/CM állvány ajánlott.

Ha a hangszugárzókat polcra vagy bútorra helyezi, akkor a mellékelt öntapadó talpak a hangdoboz aljára ragaszthatók.

A hangszugárzó elhelyezése

A hangszugárzó pozíciójának finombeállítása a kezdeti elhelyezés után tovább javítja a hangminőséget.

Sztereo vagy házimozsi használat esetén próbálja biztosítani, hogy az egyes hangszugárzók közvetlenül környezetet hasonló akusztikus jellegű legyen. Például, ha az egyik hangszugárzó üres fal mellett áll, míg a másik puha bútorok, függönyök mellett, akkor mind a hangminőség, mind pedig a sztereo kép módosulni fog.

Hagyományos sztereó rendszerek

Első lépésben a hangszugárzókat 1,5 m és 3 m közötti távolságban kell elhelyezni egymáshoz képest, egy egyenlő oldalú háromszög két sarkában, ahol a hallgatási terület jelenti a harmadik sarkot. A hangszugárzók legyenek körülbelül 0,5 m távolságra a hátsó faltól, és legalább 0,5 m távolságra minden oldalfaltól. Az 1a ábra ezt az elrendezést mutatja be.

Házi mozi rendszerek

Ha a hangdobozokat egy házimozirendszer frontjaiként használjuk rakjuk közelebb egymáshoz a két hangfalat, mint a hagyományos kétcsatornás felhasználásnál. Ennek az az oka, hogy a hátsó csatornák kellőképpen kiszélesítik a hangképet. A hangdobozokat a képernyő oldalaihoz képest fél méteres távolságra helyezze el, ezáltal is elősegítve a hangkép jobb fókuszáltságát a képernyőn történő eseményekre. A hangdobozok magasságát a képernyő középpontja és a centersugárzó magassága között helyezze el. Ahogy egy hagyományos sztereó elhelyezésnél, itt is ügyeljünk arra, hogy a hangdobozok optimális távolsága az oldalfalaktól legalább 0,5 méter. Ha azonban a hangdobozokat a hátfalhoz vagy annak közelébe helyezjük a mélyhangok felerősödhetnek, ennek kiküszöbölésére olvassa el a Finomhangolás bekezdést az útmutatóban, ahol információt talál arról, hogy a mellékelt szivacs dugókat hogyan használja.

Ha a hangszugárzókat egy házimozis rendszer surround csatornáiként használja, akkor az 1c – 1e ábráknak megfelelően helyezze el őket a csatornák számának megfelelően. Az egyenletes lefedettség érdekében nagy hallgatási terület esetén a hangszugárzókat érdemes fülmagasság fölé emelni.

Szört mágneses mezők

A hangszugárzók meghajtó egysége szört mágneses mezőt hoz létre, mely kiterjed a hangdoboz határain kívülre is. Ajánlott a mágnesességre érzékeny tárgyakat (televízió és számítógép képernyők, számítógépes lemezek, audio és video kazetták, hitelkártyák, stb.) legalább 0,5 m távolságban tartani a hangszugárzótól. Az LCD és plazma megjelenítők nem érzékenyek a mágneses mezőkre.

Csatlakoztatás

Minden csatlakoztatást a készülék kikapcsolt állapotában kell elvégezni.

A hangszugárzók hátoldalán 2 csatlakoztatott pár csatlakozóaljzat található. A hagyományos csatlakoztatáshoz az aljzatok csatlakozását változtatlanul kell hagyni (szállítási állapotban), és csak egy párat kell az erősítőhöz csatlakoztatni. A kettős kábelezésű csatlakozáshoz a kapcsolatot meg kell szüntetni a két pár között, és mindkét aljzattal egymástól különálló módon kell az erősítőhöz csatlakoztatni. A kettős kábelezés javíthatja az alacsonyfrekvenciás részletek felbontását. A 2a és 2b ábrák a hagyományos kettős kábeleztetést mutatják meg.

Ügyeljen rá, hogy a hangszugárzó pozitív aljzatai (+ jelzés és piros szín) az erősítő pozitív kimeneti aljzatához csatlakozzanak, és a negatív aljzatok a hangszugárzó (- jelzés és fekete szín) az erősítő negatív kimeneti aljzatához. A helytelen csatlakoztatás gyenge hangképet és a mélyhangok elvesztését eredményezheti.

Kérje kereskedője tanácsát a hangszugárzó kábelek kiválasztásával kapcsolatban. Tartsa a teljes impedanciát a hangszugárzó műszaki adatai között ajánlott maximum alatt, és használjon alacsony induktivitású vezetéket a magasfrekvenciák elnyomásának elkerülésére.

Finomhangolás

Finomhangolás előtt gondosan ellenőrizze, hogy az összes csatlakozás megfelelő és szoros legyen.

Amennyiben a hangdobozokat a falaktól távolabbra helyezze el, a mélyhangok hangereje csökkenhet. A hangdoboz mögötti tér a hangkép mélységét növeli. Általánosságban, ha a hangdobozokat a falhoz közel helyezjük a mélyfrekvenciák hangerejének erősítésével számolhatunk. Ha szeretné csökkenteni a mélyhangok hangerejét, de nem tudja vagy szeretné a fal mellől elvenni a hangdobozokat, használja a mellékelt szivacs dugót, amennyiben a mélyhangok keménységét szeretné redukálni, használja a szivacs gyűrűt. A szivacs dugó és gyűrű elhelyezéséről a 3. ábrán talál illusztrációt.

Ha a mélyhang nem egyenletes a frekvenciában, akkor azt gyakran a helyiség rezonanciája okozza. Akár a hangszugárzó vagy a hallgató kis elmozdulása is óriási hatással lehet arra, hogy a rezonanciák hogyan befolyásolják a hangot. Próbálja a hangszugárzókat egy másik fal mellé helyezni. Még a nagyméretű bútorok mozgatása is befolyásolhatja a hatást.

Ha a centerkép nem fókuszált, akkor próbálja egymáshoz közelíteni a hangszugárzókat, vagy fordítsa őket befelé, hogy egy pontra nézzenek a hallgatási pozíció elé. Az 1b ábra a befordított hangszugárzók mutassa.

Ha a hang túl durva, növelje a puha bútorzat mennyiségét a helyiségben (például használjon nehéz függönyöket), vagy csökkentse, ha a hang túl unalmas, és élettelen.

Egyes helyiségek visszhangosak – a visszhang a hang „pattogása” a párhuzamos falak között. A visszhangok elszínezhetik a hangot a helyiségben. Ellenőrizze a visszhangot a szoba közepén állva és taposva. Csökkentse a visszhangot szabálytalan alakú tárgyakkal, vagy nem visszaverő felületekkel, könyvespolcokkal, szőnyegekkel vagy képekkel, az egyik falon vagy a padlón.

Ügyeljen rá, hogy a hangszugárzó felfelé és stabilan álljon. Használja a szőnyeg átszűrő tuskéket, ha szükséges, és állítsa be őket egyenesen padlózat esetén.

Bejáratási időszak

A hangsugárzó teljesítmény kicsit megváltozik a kezdeti időszakban. Ha a hangsugárzó hideg környezetben volt tárolva, akkor némi időbe telik, hogy visszaálljon a csillapító és felfüggesztő anyagok megfelelő mechanikus tulajdonsága. A hangsugárzó felfüggesztések szintén felazulnak az első pár óra használat során. A végleges teljesítmény eléréséhez szükséges idő attól függ a tárolási feltételektől, és a használatától függ. Általában körülbelül egy hétre van szükség a hőmérsékleti hatások stabilizálásához, és 15 óra használatra, hogy a mechanikus alkatrészek elérjék a tervezett jellemzőiket.

Ennek ellenére hosszabb bejáratási időszakokról is kapunk hírt (akár egy hónap is lehet), és bizonyítható, hogy nem sok köze van a hangsugárzó változásához, hanem csak a hallgatónak tart hosszabb ideig az új hangzás megszokása. Különösen igaz ez a magas elvárásokat teljesítő hangsugárzókra, mint ezek, ahol jelentősen nagyobb mennyiségű részlet hallható ahhoz képest, amit a hallgató korábban megszokott; a hang először túl közvetlennek tűnhet, vagy talán túl keménynek. Hosszabb idő után a hang lágy lesz, de a tisztaság és részletesség elvesztése nélkül.

Gondozás

A hangsugárzó felületét rendszerint csak le kell porolni. Ha aeroszolos vagy egyéb tisztítószert szeretne használni, először távolítsa el az előlapot óvatosan előre felé húzva. Az aeroszolos tisztítószert a törölkendőre fújja, soha ne közvetlenül a termékre. Először egy kisméretű területen próbálja ki, mert egyes tisztítószerek kárt okozhatnak a felületben. Kerülje a sűrű, savat, alkáli vagy antibakteriális anyagot tartalmazó termékeket. Ne használjon tisztítószert a hangszórókon. Az előlap ruhakefével tisztítható a hangsugárzóról történő eltávolítás után. Ne érintse meg a hangszórókat, különösen a magassugárzóra fordítson figyelmet. Kárt okozhat bennük.

Abból a célból, hogy megőrizzük a hangdoboz burkolatának épségét tartuk távol a direkt hűsugárzástól vagy meleg levegős ventilátoroktól. Amikor a Bowers & Wilkins hangdobozokat valódi válogatott fa burkolattal burkolják, egy ultraviola sugárzásnak ellenálló lakkbevonattal látják el őket, minimalizálva a burkolat színének időbeli elváltozását. Mindazonáltal, mint az összes természetes anyagnál számolni kell a faborkolat (furnér) néhány árnyalatbeli változásával. Ez a folyamat lassítható, ha a hangdoboz előlapja a hangdobozon van, vagy árnyékos helyre helyeztük el a hangfalakat. Ha azonban a különbségek adódnak a színárnyalatokban (pld. oldal fal és a hangszórórács alatti terület), segíthetünk azzal hogy a hangdobozokat egyenletes napfénynek tesszük ki mindenhol addig, amíg a színkülönbségek kiegyenlítődnek. Ez a folyamat napokig, de akár hetekig is eltarthat. Az érés folyamatát felgyorsíthatjuk UV lámpa óvatos használatával is.

Korlátozott garancia

Ezt a terméket a legmagasabb minőségi színvonalon tervezték és gyártották. Ha azonban a termék elromlik, a B&W Loudspeakers és annak hivatalos forgalmazói garantálják a térítésmentes javítást (ez alól adódhatnak kivételek) és cserealkatrészeket bármely olyan országban, amelyet egy hivatalos B&W forgalmazó lát el.

Ez a korlátozott garancia a vásárlás dátumától számítót öt évig érvényes illetve elektronikai berendezésekre vonatkozóan (beleértve az erősítő tartalmazó hangsugárzókat is) két évig.

Feltételek

- 1 A garancia csak a berendezés javítására vonatkozik. A termékeknek sem szállítási és egyéb költségei, sem leszerelése, szállítása és üzembe helyezése nem tartozik ezen garancia hatásköre alá.
- 2 Ez a garancia csak az eredeti tulajdonos számára érvényes. Nem átruházható.
- 3 Ez a garancia csak a vásárlás időpontjában már fennálló, az anyagokban és/vagy a kivitelezésben bekövetkezett hibákra vonatkozik, és nem vonatkozik az alábbiakra:
 - a a helytelen üzembe helyezés, csatlakoztatás vagy csomagolás okozta károokra,
 - b a használati útmutatóban helyes használatként feltüntetett használati módtól eltérő felhasználásból, hanyagságból, módosításból vagy a B&W által jóvá nem hagyott alkatrészek alkalmazásából eredő károokra,
 - c hibás vagy nem megfelelő csatlakozó eszközök által okozott károokra,
 - d baleset, villámcsapás, beázás, tűz, háború, helyi zavargások vagy más, a B&W és kijelölt forgalmazói ésszerű hatáskörén kívül eső események okozta károokra,
 - e azokra a termékekre, amelyek sorozatszámát megváltoztatták, törölték, eltávolították vagy más módon olvashatatlanná tették,
 - f ha a javításokat vagy módosításokat egy arra fel nem hatalmazott személy végezte el.
- 4 Ez a garancia kiegészít minden más, a helyi szakkereskedőkre vagy országos forgalmazókra vonatkozó egyéb törvényt és nem érintik az Ön alapvető vásárlói jogait.

Hogyan igényelje a garanciális javítást

Amennyiben javítás válik szükségessé, kérjük kövesse az alábbi eljárást:

- 1 Ha a terméket a vásárlás országában használják, akkor lépjen kapcsolatba azzal a hivatalos B&W szakkereskedővel, akitől a berendezést vásárolta.

- 2 Ha a terméket nem a vásárlás országában használják, akkor lépjen kapcsolatba a tartózkodási ország B&W forgalmazójával, aki megadja Önnek a legközelebbi szerviz adatait. Felhívhatja még a B&W-t is az Egyesült Királyságban vagy meglátogathatja honlapunkat a helyi forgalmazó kapcsolat felvételi adatainak kiderítése érdekében.

A garancia érvényesítéséhez fel kell mutatnia a garanciafüzetet, amit a szakkereskedőnek a vásárlás napján ki kell töltenie és le kell bélyegeznie. Ehelyett szüksége lehet az eredeti kereskedelmi számlára vagy a tulajdonosi viszonyt bizonyító más dokumentumra és a vásárlás dátumára.

Polski

Instrukcja użytkownika

Drogi kliencie

Dziękujemy za nabycie produktu firmy Bowers & Wilkins.

Jesteśmy pewni, że nasze kolumny głośnikowe zapewnią Państwu wiele miłych wrażeń oraz przyjemność ze słuchania muzyki. Jednak przed ich instalacją prosimy dokładnie zapoznać się z poniższą instrukcją obsługi. Pomoże to optymalnie wykorzystać możliwości produktu.

B&W posiada sieć autoryzowanych dystrybutorów w ponad 60 krajach. Są oni w stanie pomóc w momencie wystąpienia jakiegokolwiek problemu, którego nie może rozwiązać sam sprzedawca.

Ochrona środowiska



Wszystkie produkty B&W są zgodne z dyrektywami RoHS (ograniczającą użycie związków niebezpiecznych) oraz WEEE (regulującą przetwórstwo zużytego sprzętu elektrycznego i elektronicznego). Symbole te wskazują na to, że urządzenia są zgodne z dyrektywami, a również że powinny być odpowiednio przetwarzane. Skonsultuj się z lokalnym punktem składowania odpadów w celu zasięgnięcia dalszych informacji.

Zawartość

Prosimy sprawdzić czy w kartonie znajdują się:

- 2 Dwustronne podkładki z gąbki.
- 8 Samoprzylepnych gumowych stoppek.

Instalacja kolumn

Kolumny najlepiej sprawdzają się po zamontowaniu ich na sztywnych podstawkach podłogowych, które pozwolą na umieszczenie głośników wysokotonowych na poziomie uszu słuchaczy. Istnieje możliwość zamontowania ich na półce lub na ścianie, jednak optymalną jakość dźwięku uzyskamy właśnie dzięki użyciu specjalnych podstawek.

Specyficzne ustawienie lub umieszczenie na ścianie wpływa na jakość dźwięku. Polecamy użycie podstawki B&W FS-700/CM.

Jeśli głośniki mają być umiejscowione na półce lub na innym meblu, można posłużyć się samoprzylepnymi stopkami dostarczonymi wraz z głośnikami.

Ustawienie głośników

Ustawienie pozycji głośnika przed jego użyciem może przynieść znaczącą poprawę jakości dźwięku.

Zarówno w systemach stereo, jak i kina domowego staraj się tak ustawić głośniki, aby otaczające je przedmioty miały zbliżone charakterystyki akustyczne. Na przykład, jeśli jeden głośnik przylega do nagiej ściany, podczas gdy drugi do obitych miękkim materiałem mebli, zarówno ogólna

jakość dźwięku, jak i obraz sceny dźwiękowej będą zniekształcone.

Konwencjonalny system stereo

Kolumny powinny znajdować się od 1.5m do 3m od siebie, w dwóch rogach trójkąta równobocznego, w którego trzecim rogu znajdować się powinno miejsce odsłuchowe. Kolumny powinny być oddalone od ściany tylnej o około 0.5m, a od ścian bocznych co najmniej 0.5m. Rysunek 1a ilustruje to ustawienie.

System kina domowego

Jeśli głośniki mają być używane jako głośniki kanałów przednich w systemie dźwiękowym kina domowego, powinny być umieszczone bliżej siebie niż w przypadku systemu dwukanałowego, ponieważ dźwięk z kanałów przestrzennych przejawia tendencję do poszerzenia obrazu sceny dźwiękowej. Umieszczenie głośników w odległości około 0.5m od boków ekranu może dodatkowo pomóc utrzymać obraz sceny dźwiękowej bardziej spójnym z wizją. Tak jak w przypadku klasycznych systemów stereofonicznych, głośniki powinny być oddalone o około 0.5m od ściany tylnej. Jeśli głośniki mają znaleźć się blisko ściany tylnej i poziom basów będzie zbyt wysoki, przejdź do sekcji „Dostrajanie” w niniejszej instrukcji w celu uzyskania informacji na temat stosowania gąbkowych zatyczek.

Ustaw głośniki w taki sposób, w jaki to zostało pokazane na rysunkach 1c do 1e, w zależności od ilości kanałów dźwięku surround. Aby uzyskać dźwięk bardziej rozproszony, umieść głośniki ponad poziomem uszu słuchacza.

Rozproszone pola magnetyczne

Zastosowane w kolumnach głośniki posiadają układy magnetyczne generujące rozproszone pola magnetyczne poza obudową kolumny. Zalecamy, aby urządzenia i podzespoły czułe na oddziaływanie pola magnetycznego takie jak (kineskopy telewizorów i monitorów komputerowych, twarde dyski komputerów, kasyety audio i wideo, dyskietki itp.) trzymać w odległości co najmniej 0,5 m od głośników. Ekran LCD oraz telewizory plazmowe nie są podatne na pola magnetyczne.

Podłączenia

Wszystkie podłączenia powinny być wykonywane przy wyłączonym sprzęcie.

Na tylnym panelu głośnika znajdują się 2 połączone pary gniazd. W przypadku typowego podłączenia, połączenie gniazd powinno pozostać nie naruszone (w takim stanie, w jakim znajdowało się w chwili nabycia kolumn) i tylko jedna para gniazd podłączona do wzmacniacza. Dla podłączenia typu bi-wire, połączenie pomiędzy gniazdami w kolumnie powinno zostać usunięte i każda para gniazd podłączona do wzmacniacza niezależnie. Bi-wiring może wpłynąć na poprawę reprodukcji dźwięków o niskiej częstotliwości. Rysunki 2a i 2b ilustrują podłączenie standardowe i bi-wire.

Podłącz dodatkowo gniazdo kolumny (zaznaczone „+” i na czerwono) z dodatnim gniazdem wzmacniacza i ujemne (zaznaczone „-” i na czarno) z ujemnym. Nieprawidłowe połączenie może powodować spadek jakości lub utratę basów.

Poproś o pomoc swojego sprzedawcę w doborze optymalnego okablowania. Utrzymuj całkowitą impedancję poniżej maksymalnej rekomendowanej w specyfikacji i używaj kabla z niską impedancją w celu uniknięcia osłabienia najwyższych częstotliwości.

Dostrajanie

Przed dostrajaniem, sprawdź czy wszystkie podłączenia w obrębie instalacji są prawidłowe i zabezpieczone.

Odsunięcie głośników od ścian zazwyczaj redukuje poziomy tonów niskich. Przestrzeń za głośnikami pomoże dodatkowo poprawić przestrzeń dźwiękową. Analogicznie, przysunięcie głośników do ściany zwiększa poziom tonów niskich. Jeśli pragniesz zredukować poziom tonów niskich bez odsuwania kolumn od ścian, umieść gąbkowe zatyczki lub, gdy nie chcesz zredukować niskich tonów w tak dużym stopniu, gąbkowe pierścienie w tubach bass-reflexu. Sposób umieszczenia gąbkowych zatyczek oraz pierścieni został pokazany na rysunku 3.

Nieregularnie brzmiący bas jest często spowodowany odbiciami dźwięku w pomieszczeniu. Dlatego dobrze jest poeksperymentować z ustawieniem kolumn i pozycją słuchacza. Spróbuj ustawić kolumny pod różnymi ścianami. Efekt może przynieść przestawienie większych mebli.

Jeśli środek sceny dźwiękowej jest zniekształcony, spróbuj zsunąć kolumny bliżej siebie lub przekręcić je tak, żeby były skierowane bezpośrednio na słuchacza lub nieco przed nim. (rysunek 1b)

Jeśli dźwięk jest zbyt szorstki, zwiększ ilość miękkich elementów wyposażenia w pokoju (na przykład użyj grubszych zasłon). Jeśli zaś dźwięk jest zbyt płaski, pozbawiony życia – zmniejsz ilość miękkich elementów wyposażenia, które pochłaniają dźwięk.

Sprawdź, czy w pokoju nie ma echa, na przykład klaszcząc w dłonie. Echo można zredukować poprzez użycie nieregularnie ukształtowanych przedmiotów, takich jak półki na książki czy duże meble.

Upewnij się, że kolumny stoją pewnie na podłodze. Użyj kolców, jeśli kolumny będą stały na dywanie i dostosuj je tak, aby pozbyczyć się wszelkich nieregularności w podłożu.

Okres „docierania”

Jakość dźwięku odtwarzanego przez kolumny zmieni się w niewielkim stopniu w przeciągu początkowego okresu ich używania. Jeśli kolumny były przetrzymywane w chłodnym miejscu, materiały tłumiące oraz wykończeniowe głośników będą musiały przez pewien czas odzyskiwać swoje

pierwotne charakterystyki. Zawieszenie głośników rozgrzeje się w pierwszych godzinach użytkowania kolumny. Czas, jaki kolumna potrzebuje na osiągnięcie nominalnych możliwości, zależy od warunków, w jakich była przechowywana oraz od sposobu, w jaki jest użytkowana. Daj kolumnie mniej więcej tydzień na ustabilizowanie temperatury oraz 15 godzin przeciętnej pracy, aby podzespoły osiągnęły zakładane przez projektantów charakterystyki.

Niemniej jednak, całkowity początkowy okres rozruchu jest dłuższy i wynosi około miesiąca. Zależy on jednak w głównej mierze od przyzwyczajania się użytkownika do pracy kolumny, a nie od zmian wewnątrz samej kolumny. Dzieje się tak w szczególności z kolumnami, których reprodukcja ilości detali nie jest wystarczająco duża w porównaniu z ilością, do której był przyzwyczajony użytkownik. Początkowo dźwięk może wydawać się zbyt przytłaczający i trochę mocny. Jednak po pewnym czasie stanie się łagodny, ale bez utraty czystości i dokładności.

Pielęgnacja

Obudowy zazwyczaj wymagają tylko usunięcia kurzu. Jeśli chcesz użyć aerozolu lub innego środka czyszczącego, zdejmij maskownicę delikatnie ściągając ją z obudowy. Rozpyl aerozol na szmatkę, a nie bezpośrednio na produkt. Najpierw sprawdź na małej powierzchni, czy środek czyszczący nie niszczy podłoża. Unikaj materiałów szorstkich i takich, które zawierają kwas, są zasadowe lub antybakteryjne. Nie stosuj środków czyszczących na głośniki. Maskownica może być czyszczona przy użyciu normalnej ścierki, gdy sama maskownica została uprzednio zdjęta z kolumny. Unikaj dotykania głośników, a w szczególności tweetera, żeby ich nie uszkodzić.

W celu uniknięcia ryzyka uszkodzenia powierzchni, trzymaj produkt z dala od źródeł ciepła takich jak kaloryfery lub wentylatory gorącego powietrza. Za każdym razem, gdy wykończenie głośników Bowers & Wilkins jest drewniane, wybierane są najlepsze materiały, pokrywane następnie lakierem odpornym na promieniowanie ultrafioletowe, co pozwala minimalizować zmiany koloru powstałe z biegiem czasu. Jakkolwiek, podobnie jak w przypadku wszystkich materiałów naturalnych, środowisko zewnętrzne ma wpływ na wykończenie głośników i należy spodziewać się stopniowej zmiany koloru. Efekty takich zmian mogą być szczególnie widoczne w miejscach, które podlegają przekształceniom wolniej, takich jak obszary przykryte przez maskownicę lub pozostające w cieniu. Różnice w kolorach mogą być skorygowane poprzez wystawienie w równym stopniu wszystkich powierzchni obudowy na działanie promieni słonecznych, aż do momentu gdy kolor jest jednolity. Proces ten może zająć kilka dni lub nawet tygodni, ale może również zostać przyspieszony poprzez ostrożne zastosowanie lampy ultrafioletowej.

Gwarancja

Ten produkt został zaprojektowany i wyprodukowany zgodnie z najwyższymi standardami jakości. Jednak, jeśli zdarzy się jakaś awaria, firma B&W Group Ltd. oraz jej międzynarodowi dystrybutorzy gwarantują bezpłatny serwis (wyjątki mogą wystąpić) na części i robociznę w każdym kraju, w którym jest autoryzowany dystrybutor B&W.

Warunki gwarancji

- 1 Gwarancja odnosi się tylko do naprawy sprzętu. Ani transport, ani żadne inne koszty, włącznie z ryzykiem przenoszenia, transportu i instalacji produktów nie są objęte tą gwarancją.
- 2 Gwarancja jest ważna tylko dla pierwszego właściciela. Nie przechodzi na następnych właścicieli.
- 3 Gwarancja obejmuje tylko i wyłącznie wady materiałowe lub inne wady ukryte w dniu zakupu. Gwarancja nie ma zastosowania w odniesieniu do:
 - a uszkodzeń spowodowanych niewłaściwą instalacją, uszkodzeniem lub zapakowaniem produktu,
 - b uszkodzeń spowodowanych niewłaściwą eksploatacją, niezgodną z instrukcją obsługi, modyfikacjami produktu lub wykorzystaniem części, które nie pochodzą od lub nie mają autoryzacji B&W,
 - c uszkodzeń spowodowanych przez popsute lub niewłaściwe urządzenia towarzyszące,
 - d uszkodzeń spowodowanych przez wypadki losowe, udary pioruna, wodę, pożar, czy inne czynniki, pozostające poza kontrolą firmy B&W i jej autoryzowanych dystrybutorów,
 - e produktów, których numer seryjny został zamazany, usunięty lub przerobiony,
 - f oraz w przypadku gdy wykonano już naprawy lub modyfikacje przez firmę lub osobę nieautoryzowaną.
- 4 Ta gwarancja jest dopełnieniem prawnych podstaw udzielania gwarancji, obowiązujących na terenie danego kraju i nie narusza statutowych praw klienta.

Jak reklamować sprzęt na gwarancji

Jeśli zaistnieje potrzeba oddania produktu do serwisu, prosimy zastosować się do następującej procedury:

- 1 Jeśli sprzęt jest używany w kraju zakupu, powinieneś skontaktować się z autoryzowanym dealerem, u którego sprzęt został zakupiony.
- 2 Jeśli sprzęt jest używany poza granicami kraju, powinieneś się skontaktować z dystrybutorem B&W właściwym dla miejsca zamieszkania w celu uzyskania informacji, gdzie sprzęt może być serwisowany. Możesz zadzwonić do B&W w Wielkiej Brytanii lub odwiedzić naszą witrynę internetową aby uzyskać kontakt do lokalnego dystrybutora.

Aby nadać gwarancji ważność, musisz wysłać ją wypełnioną i podstemplowaną przez swojego dealera. Dodatkowo, konieczny jest dowód zakupu stwierdzający jego datę.

日本語 取扱説明書

お客様へ

B&W スピーカーをお買い上げいただきありがとうございます。システムを最適にご使用いただくため、製品を開梱、設置する前に必ずこの取扱説明書を御一読いただきますようお願いいたします。また、いつでも見られる場所に保証書と共に必ず保管してください。B&Wは世界60ヶ国以上に独自の代理店による販売ネットワークを持っております。販売店で解決できない問題がありましたら、こちらまでご相談ください。

環境情報



すべてのB&W製品は欧州指令であるWEEEとRoHSに対応した設計がなされています。これらのシンボルは、製品がこれらの指示に従って適切に再生されなければならないか、または処理しなければならない事を表しています。適切な方法で、どのように機器を処分するかについては、お近くの廃棄物ゴミ処理機関に相談してください。

梱包内容

梱装箱の中には以下の物が同梱されています。ご確認ください。

分離型フォームプラグ(フォームプラグ/フォームリング) 2個
粘着ゴムパッド 8個

スピーカーの設置

スピーカーは、リスニングポジションに座った時にツイーターがおおよそ耳の高さに位置するよう、頑丈なフロアスタンドの上に設置するのが最も良い設置方法です。棚やウォールマウントブラケットを使用した設置も選択肢の一つですが、スピーカー位置の調整が制限される可能性があります。

また、使用されるスタンドやウォールマウントブラケットによっては、スピーカーのサウンドクオリティに影響を及ぼす場合があります。B&W、FS-700/CM用スタンドをお勧めします。

スピーカーを家具や棚に設置する場合、付属の粘着ゴムパッドをスピーカーキャビネットの下側に取り付けてください。

スピーカー設置位置

スピーカーを設置した後の設置位置の微調整は、サウンドクオリティを更に向上させます。通常それは実施するだけの価値のあるものです。

ステレオ又はホームシアターのどちらの場合でも、スピーカーの設置はそれぞれのスピーカーの設置環境が、音響的特性において同じになるように行ってください。例えば片方のスピーカーが露出した壁のすぐ近くに設置され、もう一方のスピーカーが軟らかい家具やカーテンの近くに設置されたとします。この場合は、総合的なサウンドクオリティとステレオイメージの両面で妥協した形になります。

従来のステレオシステム

初めに、左右のスピーカーを1.5mから3m離して設置し、次に左右のスピーカーがリスニングポジションを頂点とした2等辺三角形の位置になるように設置します。スピーカーは後ろの壁からは約0.5m、横の壁からは0.5m以上離して設置してください。

図 1a はこの配置を説明しています。

ホームシアターシステム

ホームシアターシステムのフロントチャンネルにこのスピーカーを使用する場合、サラウンドチャンネルが広がりのあるサウンドイメージを作る傾向にあるので、2チャンネルオーディオ(ステレオシステム) セッティングより左右のスピーカーが近くなるように設置してください。また映像のイメージとサウンドイメージのスケールが一致するように、フロントスピーカーはスクリーンの横から約0.5m以内を設置するようにしてください。スピーカーの高さはセンタースピーカーの高さとスクリーンの中心の間になるように設置して下さい。ステレオセッティングと同様に、スピーカーはあらゆる壁から約0.5m以上離して設置することが理想的です。スピーカーを壁のすぐ前に設置する場合、壁からの影響で低音が強調されてしまう時は、本取扱説明書のファインチューニングの項目に書かれているフォームプラグの使用方法を参考にして下さい。

ホームシアターシステムのサラウンドチャンネルにこのスピーカーを使用する場合、チャンネル数によって、図 1c から図 1e を参考にして設置してください。リスニングエリアをより広げる目的で、スピーカーを耳の高さより上に設置することは有効です。

漏洩磁界

スピーカーのドライヴユニットは、キャビネットを越えて磁界を発生させます。磁力に反応しやすい物品(テレビやコンピュータのモニター、フロッピー・ディスク、オーディオ/ビデオ・テープ、キャッシュ・カード類など)はスピーカーから少なくとも0.5メートルは遠ざけておいてください。液晶テレビやプラズマテレビは漏洩磁界に影響されません。

接続

全ての接続は、必ず機器のスイッチを全てオフにしてから行ってください。

スピーカーの後面にショートバーで繋がっている2組の端子があります。一般的な接続方法ではショートバーをスピーカー端子に付けたまま、どちらか1組のスピーカー端子にスピーカーケーブルを接続し、そのケーブルをアンプに接続します。バイワイヤ接続では、まずショートバーを外します。次に2組それぞれのスピーカー端子に、独立したスピーカーケーブルを接続し、そのケーブルをアンプのスピーカー端子に接続します。バイワイヤリングは低域のティテールの解像度を向上させます。図 2a と 2b は一般的な接続方法とバイワイヤの接続方法を説明しています。

スピーカーのプラス端子(+)のマークがあり、端子の色は赤)をアンプのプラス出力端子に、スピーカーのマイナス端子(-)のマークがあり、端子の色は黒)をアンプのマイナス出力端子を確実に接続します。間違った接続を行った場合、サウンドイメージが広がらないとか、低音が出ないといった現象が起きます。

スピーカーケーブルをお選びになる際はディーラーまたは各国の代理店へご相談ください。目安としては、トータルインピーダンスがスเปックの最大推奨値より低くなるようにして下さい。また、超高域の減衰を避ける為にローインダクタンスのケーブルを使用して下さい。

ファインチューニング

ファインチューニングの前に、もう一度全ての設置と接続が正しく且つ安全に行われているか確認して下さい。

一般的に壁からスピーカーを遠ざけると低音域の量が少なくなり、スピーカーの後ろにスペースをつくることによって、音場の奥行き感を得ることが出来ます。逆に言えばスピーカーを壁に近づけることによって低音域のボリュームを増やすことが出来ます。壁からの距離を変えずにスピーカーの低音域のふくらみを低減させたい場合には、スピーカーのバスレフポートにフォームプラグ挿入してみてください。また少し低音域を減少させたい場合はフォームリングをバスレフポートに挿入して下さい。フォームプラグ、又はフォームリングの使用方法は図3を参照してください。

もし低域が周波数的にフラットではないと思われたら、それはリスニングルームの共振モードのために発生している可能性があります。スピーカーの位置又はリスニングポジション等の小さな変更で、これらの共振の影響が改善される場合もあります。リスニングポジションを移動するか、または異なる壁に沿ってスピーカーの設置位置を変更してみてください。大きな家具の位置や配置も共振モードに影響します。

センターイメージのフォーカスがあいまいな場合は、左右のスピーカーの間隔をもっと狭めるか、スピーカーの設置角度をリスニングポジションの前に合わせ、もっと内側に向けてと改善される場合があります。図 1b はスピーカーの角度を内側に向けた場合を説明しています。

再生した音が高音域に偏っていると感じられた時は、部屋に音を吸収するような柔らかい家具等を増やしてみてください。(例えば重たいカーテンを使用する等)おそらくサウンドバランスを整える助けとなります。また逆に、再生した音がこもった感じになった場合は、それらの家具を減らしてみてください。

フラッターエコーに悩まされる部屋があります。エコーとは囲まれた部屋の平行面の間で発生する音の跳ね返りの事を指します。フラッターエコーが発生する部屋ではスピーカーサウンドはくせのある音となります。部屋の中央に立つて手を叩きフラッターエコーのテストを行います。フラッターエコーに対しては、床や壁の一つに音を乱反射させる不規則な形の物や音を反射しないものとして、本棚、敷物またはパネルなどを置くことによって軽減させることができます。

スピーカースタンドが真っ直ぐに、しっかりと床の上に立っていることを確認して下さい。カーペットなどで床が不安定ならば鋭いスパイクを使用し、そして、スピーカーが直立するようにスパイクの長さを調整してください。

慣らし期間

スピーカーの性能は、御使用になるにつれて微妙に変化します。スピーカーが冷たい環境に保管されていた場合、ドライヴユニットのダンピング材とサスペンションが本来の機械的特性を取り戻すまで、しばらく時間が掛かります。ドライヴユニットのサスペンションは音質やソースにもよりますが、鳴らし始めてから1時間くらいで徐々に良くなってきます。スピーカーが意図された性能を取り戻すまでにかかる時間は、開梱までの保管条件や、どの様に使用されるかによって異なります。目安としては、温度による影響を安定させる為、ご使用される状況で1週間、また意図されたデザイン特性に達するために、平均15時間スピーカーを鳴らすことを見込んでください。

慣らし期間(少なくとも1ヶ月程度)は長いほど良いといわれていますが、これはスピーカーの音が変わることよりも聴き手が新しい音に慣れてくることの方が大きいという証言もあります。特に、使用開始直後には、音が前に出て来過ぎる等の違和感を感じ

たり、音が硬く聞こえたりしますが、音の詳細(ディテール)などが今まで耳になれていたスピーカーよりも顕著になった為であり、慣らし期間がより必要となります。長期の慣らし期間の後のサウンドは明確さと詳細さを失うことなく滑らかになるでしょう。

お手入れ

キャビネットの表面は通常ほこりを払う程度で十分です。スプレー式クリーナーをお使いになる場合、まずキャビネットから慎重にグリルを取り外します。スプレーは直接キャビネットに吹き付けずに、一度クリーニング用の布に吹き付けてからご使用ください。グリルネットはキャビネットから取り外した状態で通常の布ブラシで清掃して下さい。グリルを外している間、ドライユニット、特にツイーターに触れることは絶対に避けてください。キャビネット表面のひび割れなどが発生する危険性を避ける為に、スピーカーはラジエータや温風機などの熱源から遠ざけて設置して下さい。

B&W スピーカーは本物の木材、厳選された突板材で仕上げられています。また表面の木材は紫外線からの影響による色の経時変化が最小となるようにラッカーで保護されています。しかし、すべての天然素材がそうであるように、突板材は設置環境によって色が変化すると思われます。グリルネットによってカバーされている部分、または日光が当たっていない部分に関しては他の部分よりゆっくり変化していく為、特にこの変化が目立つことがあるかもしれません。色の違いについては、色が一定になるまで全ての板材が均一に日光に当たるようにする事によって違いがなくなるかもしれません。この過程には、数日、または数週間程度必要ですが、紫外線のランプなどを注意して使用することによって速くなる場合があります。

保証期間

当社製品は高い品質水準で設計・製造されておりませんが、万が一製品に不備のある場合は、B&W 公認代理店のあるいかなる国においても、B&W Group Ltd. およびその各国代理店が無料で修理(例外もあり) および部品交換をいたします。

この保証期間は、購入の日から5年間またはアンプ内蔵、または付属のスピーカーを含む電子機器の場合には2年間有効となります。

保証条件：

- 保証範囲は、製品修理に限定されます。交通費、その他の費用、また製品の取り外し、移動、設置に起因する故障の危険は当保証の対象外となっています。
- 当保証は、製品購入時に不良部品および製造上の欠陥があった場合のみに適用されます。以下の項目は適用外となりますのでご了承ください。
 - 不適切な設置、接続、包装によって生じた損傷。
 - 取扱説明書に記された正しい使用方法以外の使い方、本人の過失、改造、また B&W 製またはその認定する以外の部品を使用したことによって生じた損傷。
 - 不良または不適切な付属器具によって生じた損傷。
 - 事故、雷、水害、火災、熱、戦争、争乱、また B&W およびその公認代理店の常識的管理の範囲を超えた不可抗力による損傷。

- 製造番号が修正、削除、取り外し、また故意に判読不明にされた製品。
- 認定外の者による修理、改造が行われた場合。
- 当保証は、各国/地方行政の定める代理店または各国代理店に課された義務を補足するものであり、消費者としての法定権利には影響しません。

保証期間中の修理について

修理を希望されるかたは以下の手順にて手続きをしてください。

- 製品を購入された国で使用されているかたは購入された販売店または公認代理店に連絡してください。
- 製品を購入された国以外で使用している場合はイギリスの B&W に連絡して頂くか、我々の web サイトを訪れて下さい。あなたの地域の連絡先を知ることができます。

保証期間中の無料修理を受けるには保証書に販売店の捺印および購入日の記入がされていることが必要です。

简体中文 用户手册

亲爱的顾客：

感谢你选择 Bowers & Wilkins 的产品。请在打开包装和安装产品前仔细全面地阅读本手册。它将使你的产品性能达到最佳状态。B&W 公司在全世界 60 多个国家拥有专业分销商的网络，他们将帮助你解决零售商不能解决的问题。

环保信息



所有 B&W 产品的设计均符合国际上有关电子和电气设备的“有害物质限制指令 (RoHS)”的规定和“废弃电子电气设备指令 (WEEE)”的处置规定。这些标志说明了它的符合性以及产品必须恰当回收或者按照这些规定进行处理。请向当地废物处理局咨询。

包装箱内的物品

检查纸箱内的下列物品：

2 个泡棉栓塞（两部分）

8 个自粘橡胶垫

扬声器的安装

扬声器安装在牢固的座地音箱支架，使其高音单元在固定后与坐下时的人耳齐高，这样使用时效果最佳。层板或上墙架安装是一个选择，但不利于通过调节扬声器位置来达到最佳音响效果。

使用特殊的架子或墙上安装将会影响到扬声器的声音质量。建议使用 B&W FS-700/CM 脚架。

如果扬声器要放在层板或者家俱上，应该将提供的自粘橡胶垫放置在音箱的底部。

扬声器的定位

初始安装后的扬声器的摆位将进一步提高声音的质量，因此值得这样做。

无论是在立体声还是家庭影院的安装中，要设法确保每个紧贴扬声器周围的物件在声音特色上类似。例如，如果一个扬声器的周围是无遮蔽的墙，而另一个扬声器的周围是软性陈设品或窗帘，则整个声音质量和立体结像则可能受到影响。

传统立体声系统

首先，扬声器应该定位在一个等边三角形的两个角的 1.5 至 3 米之间，而等边三角形的第三角应该在视听区。扬声器应该离后墙约 0.5 米，而离任何一侧墙至少约 0.5 米。图 1a 中说明了这种分布。

家庭影院系统

如果扬声器被用于家庭影院中的前声道，他们应该放置在较双声道相互更近的位置，因为环绕声道趋向于将结像加宽。将扬声器放置在离屏幕约 0.5 米之内也有助于使声音结像与视觉影像成比例。扬声器的高度应该在屏幕中心与中置扬声器高度之间。犹如传统的立体声定位一样，扬声器应该处于离任一侧墙至少 0.5 米的理想位置。如欲把扬声器靠着后墙放置，而此定位可导致低音过强，请参照本手册微调部份中使用泡棉栓塞的资料。

扬声器如被用于环绕声道，请如图 1c 至 1e 所示，根据声道号码放置。为达到平均的听音投散，应将扬声器放置与人耳齐平或更高的高度。

杂散磁场

扬声器的驱动系统可产生延伸到音箱周边以外地方的杂散磁场。我们建议你将对磁场敏感的物体（如电视机和电脑屏幕、电脑磁盘、录音及录像带、信用卡等）放置离它至少 0.5 米的地方。液晶电视和等离子电视不会受这种磁场所影响。

连接

所有的连接应当在设备关闭时进行。

扬声器的背部有两套连着的端子。在传统的连接中，接线柱连接应该处于原来的位置（如交付时那样），让一对端子与放大器相连。在双线连接中，接线柱连接应该除去，且每对端子须与放大器独立相连接。双线能够提高低频细节的分辨率。图 2a 和 2b 说明了传统和双线连接方法。

确保扬声器上的正极端（标有 + 和红色）与放大器的正极端输出端相连接，而扬声器上的负极端（标有 - 和黑色）与放大器的负极输出端相连接。不正确的连接会导致结像效果差和低音失真。

在选择扬声器接线时可向你的零售商咨询。其总阻抗应该低于扬声器规格中的最大值，并使用低电感接线以避免高频的衰减。

微调

在微调前，确保安装中的所有连接正确且安全。

一般来说，把扬声器移离墙壁可降低低音。扬声器后的空间会帮助创造出一种听觉上的深度感。相反，把扬声器移近墙壁则可增加低音。如果你希望减少低音而不把扬声器移离墙壁，可使用泡棉栓塞或泡棉环，来达到减低强烈的低音。可按照图 3 所示，在低音反射孔中装入泡棉栓塞或泡棉环。

如果低音的频率不均衡，这很可能是因为试听室里的谐振模式引起的。即使扬声器或试听的位置很小的改变都可以使谐振对声音的效果产生很深的影响。设法移动试听的位置或者将扬声器放在不同的墙旁边。大家具的存在及其位置也会影响谐振模式。

假如中心图像缺少焦点，可试着将扬声器彼此离得更近或者使其向内成一个角度，这样它们就可以正对着试听的位置。图 1b 说明了扬声器向内成角的情形。

如果音质太过明快，则在房间内增加软性的陈设品（如较重的窗帘）可以帮助平衡音质。相反，在房间内减少软性的陈设品可以使迟缓的音质变得明快。

某些房间深受“抖动回音”的影响，这种回音在房间的平行边缘之间来回“跳动”。“抖动回音”可以使得室内扬声器的声音产生音染。测试“抖动回音”的方法是站在房间中间击掌。减少“抖动回音”的方法是：在有影响的墙面或地板上放置形状不规则的物体或者非反射的表面、书架、毯子或图画。

确保扬声器的架子垂直并稳固于地面。适当地使用能够穿过地毯的脚钉并调整使其平衡。

煲机阶段

在初始试听阶段，扬声器的性能会发生细微变化。如果扬声器被安装在较冷的房间内，驱动装置的阻尼复合组件和悬挂材料会需要一些时间来恢复其正确的机械性

能。驱动装置的悬挂部分也会在最初使用的几小时内松动。使扬声器达到理想性能状态的时间将因以前的储存条件和使用方法而有所变化。作为使用指引，可以用一周时间来稳定温度的影响，或者用平均使用 15 小时的时间来使机械部分达到理想的设计性能。

不过，也出现过更长时间的设备调试期（如一个月）。但证据显示这与扬声器的改变没多大关系，而与试听者适应新的声音关系更大。这在扬声器的声音细节与试听者以前所习惯的相比较有很大程度增加时，尤其如此。声音在开始时也许太过“直接”，或者有点猛烈。经过一段时间以后，声音将会变得柔美，但并不失去清晰度和细节。

保养

通常机箱表面仅需要除掉灰尘。如果希望使用气雾剂或其它清洗剂，请先小心从机箱移开面网。在清洁布上喷上气雾剂，不要直接喷到产品上。首先在小范围内测试，因有些清洗产品会对某些表面造成损坏。避免使用可造成腐蚀、或含酸、碱、抗菌的产品。请勿在驱动单元上使用清洁剂。面网从机箱上取下来后，可用一般的布刷来清洁面网部分。要避免接触驱动单元，特别是高音单元，否则有可能导致损坏。

为防止表面爆裂的风险，请把产品远离发热的地方，如发热器或热气槽等。Bowers & Wilkins 扬声器以真木制造，并选取最佳的木材，经防紫外线处理以减少颜色随时间而改变。不论怎样，像所有天然物料一样，饰面会随环境而有所变化，但预期在颜色上亦会有一些程度的改变。这情况会在被面网盖着的地方更为明显或有遮掩处的变化亦会较慢。颜色不均的情况可透过把木饰表面平均暴露于阳光下而使它变得均匀，此过程可能要用上数天甚至数周以完成，但亦可透过小心使用紫外线灯来代替。

有限保修

本产品按照最高质量标准设计和制造。不过，假如产品有任何问题，B&W Group Ltd 及其在全国的分销商将免费在 B&W 正式的分销商所服务的国家进行修理（可能有例外情况）和更换部件。

此有限保修的有效期为 5 年，从购买之日起算起。对于包括电子产品在内的有源扬声器，其保修期为 2 年。

使用条款及条件

- 1 保修仅限于对设备的维修。保修既不包括运费和其它费用，也不包括产品移动、搬运和安装中的风险。
- 2 本保修不具有转让性，仅对所有者有效。
- 3 本保修不适用于除了在购买时原材料和（或）工艺的缺陷以外的情形，以及下列情形：
 - a. 由于不正确的安装、连接和包装所引起的损坏；
 - b. 因未按照使用手册里面的正确方法使用、过失、修改而引起的损坏，或使用非 B&W 或其授权的配件而引起的损坏；
 - c. 由失误或不适当的辅助设备所引起的损坏；
 - d. 由事故、闪电、水灾、火灾、战争、骚乱所引起的损坏，或在 B&W 及其指定的分销商合理控制范围之外的因素所引起的损坏；

- e. 产品序列号被修改、删除、移去或变得模糊不清的产品；
 - f. 如维修和改动是未经授权的人所完成的；
- 4 本保证可补充任何零售商或分销商的国家或地区的法律责任，它并不影响你作为客户的法律权利。

如何在保修期内要求维修：

如要求提供服务，请按照下列程序办理：

- 1 如果设备是在购买的国家内使用，你应该与从购买设备的 B&W 认可零售商联系。
- 2 如果设备是在购买的国家以外使用，你应当与居住国的 B&W 国内销售商联系，它们会告诉你那里可以修理设备。你可以致电英国的 B&W 或浏览我们的网站来获取你当地销售商的联系详情。

为使本保修有效，你须要填写及保存本保修手册，并由你的零售商盖上购买的日期。或者，你须提供购买单据之正本或可证明购买日子及拥有权之凭证。

繁體中文 用戶手冊

親愛的顧客：

感謝你選擇 Bowers & Wilkins 的產品。請在打開包裝和安裝產品前仔細全面地閱讀本手冊。它將使你的產品性能達到最佳狀態。B&W 公司在全世界 60 多個國家擁有專業分銷商的網路，他們將幫助你解決零售商不能解決的問題。

環保資訊



所有 B&W 產品的設計均符合國際上有關電子和電氣設備的“有害物質限制指令 (RoHS)”的規定和“廢棄電子電氣設備指令 (WEEE)”的處置規定。這些標誌說明了它的相容性以及產品必須恰當回收或者按照這些規定進行處理。請向當地廢物處理局諮詢。

包裝箱內的物品

檢查紙箱內的下列物品：

2 個泡棉栓塞（兩部份）

8 個自粘橡膠墊

揚聲器的安裝

揚聲器安裝在牢固的座地音箱支架，使其高音單元在固定後與坐下時的人耳齊高，這樣使用時效果最佳。層板或上牆架安裝是一個選擇，但不利於通過調節揚聲器位置來達到最佳音響效果。

使用特殊的架子或牆上安裝將會影響到揚聲器的聲音質量。建議使用 B&W FS-700/CM 腳架。

如果揚聲器要放在層板或者家俱上，應該將提供的自粘橡膠墊放置在音箱的底部。

揚聲器的定位

初始安裝後的揚聲器的擺位將進一步提高聲音的質量，因此值得這樣做。

無論是在身歷聲還是家庭影院的安裝中，要設法確保每個緊貼揚聲器周圍的物件在聲音特色上類似。例如，如果一個揚聲器的周圍是無遮蔽的牆，而另一個揚聲器的周圍是軟性陳設品或窗簾，則整個聲音質量和立體結像則可能受到影響。

傳統立體聲系統

首先，揚聲器應該定位在一個等邊三角形的兩個角的 1.5 至 3 米之間，而等邊三角形的第三角應該在視聽區。揚聲器應該離後牆約 0.5 米，而離任何一側牆至少約 0.5 米。圖 1a 中說明了這種分佈。

家庭影院系統

如果揚聲器被用於家庭影院中的前聲道，他們應該放置在較雙聲道相互更近的位置，因為環繞聲道趨向於將結像加寬。將揚聲器放置在離螢幕約 0.5 米之內也有助於使聲音結像與視覺影像成比例。揚聲器的高度應該在螢幕中心與中置揚聲器高度之間。猶如傳統的身歷聲定位一樣，揚聲器應該處於離任一側牆至少 0.5 米的理想位置。如欲把揚聲器靠著後牆放置，而此定位可導致低音過強，請參照本手冊微調部份中使用泡棉栓塞的資料。

揚聲器如被用於環繞聲道，請如圖 1c 至 1e 所示，根據聲道號碼放置。為達到平均的聽音投散，應把揚聲器放置與人耳齊平或更高的高度。

雜散磁場

揚聲器的驅動系統可產生延伸到音箱周邊以外地方的雜散磁場。我們建議你將對磁場過敏的物體（如電視機和電腦螢幕、電腦磁片、錄音及錄影帶、信用卡等）放置離它至少 0.5 米的地方。液晶電視和等離子電視不會受這種磁場所影響。

連接

所有的連接應當在設備關閉時進行。

揚聲器的背部有兩套連著的端子。在傳統的連接中，接線柱連接應該處於原來的（如交付時那樣），讓一對端子與放大器相連。在雙線連接中，接線柱連接應該除去，且每對端子須與放大器獨立相連接。雙線能夠提高低頻率細節的解析度。圖 2a 和 2b 說明了傳統和雙線連接方法。

確保揚聲器上的正極端（標有 + 和紅色）與放大器的正極輸出端相連接，而揚聲器上的負極端（標有 - 和黑色）與放大器的負極輸出端相連接。不正確的連接會導致結像效果差和低音失真。

在選擇揚聲器接線時可向你的零售商諮詢。其總阻抗應該低於揚聲器規格中的最大值，並使用低電感接線以避免高頻的衰減。

微調

在微調前，確保安裝中的所有連接正確且安全。

一般來說，把揚聲器移離牆壁可降低低音。揚聲器後的空間會幫助創造出一種聽覺上的深度感。相反，把揚聲器移近牆壁則可增加低音。如果你希望減少低音而不把揚聲器移離牆壁，可使用泡棉栓塞或泡棉環，來達到減低強烈的低音。可按照圖 3 所示，在低音反射孔中裝入泡棉栓塞或泡棉環。

如果低音的頻率不均衡，這很可能是因為試聽室裡的諧振模式引起的。即使揚聲器或試聽的位置很小的改變都可以使諧振對聲音的效果產生很深的影響。設法移動試聽的位置或者將揚聲器放在不同的牆旁邊。大件傢俱的存在及其位置也會影響諧振模式。

假如中心圖像缺少焦點，可試著將揚聲器彼此離得更近或者使其向內成一個角度，這樣它們就可以正對著試聽的位置。圖 1b 說明了揚聲器向內成角的情形。

如果音質太過明快，則在房間內增加軟性的陳設品（如較重的窗簾）可以幫助平衡音質。相反，在房間內減少軟性的陳設品可以使遲緩的音質變得明快。

某些房間深受“抖動回音”的影響，這種回音在房間的平行邊緣之間來回“跳動”。“抖動回音”可以使室內揚聲器的聲音產生污染。測試“抖動回音”的方法是：站在房間中間擊掌。減少“抖動回音”的方法是：在有影響的牆面或地板上放置形狀不規則的物體或者非反射的表面、書架、椅子或圖畫。

確保揚聲器的架子垂直並穩固於地面。適當地使用能夠穿過地毯的腳釘並調整使其平衡。

煲機階段

在初始試聽階段，揚聲器的性能會發生細微變化。如果揚聲器被安裝在較冷的房間內，驅動裝置的阻尼複合元件和懸掛材料會需要一些時間來恢復其正確的機械性

能。驅動裝置的懸掛部分也會在最初使用的幾小時內鬆動。使揚聲器達到理想性能狀態的時間將因以前的儲存條件和使用方法而有所變化。作為使用指引，可以用一周時間來穩定溫度的影響，或者用平均使用 15 小時的時間來使機械部分達到理想的設計性能。

不過，也出現過更長時間的設備調試期（如一個月）。但證據顯示這與揚聲器的改變沒多大關係，而與試聽者適應新的聲音關係更大。這在揚聲器的聲音細節與試聽者以前所習慣的相比較有很大程度增加時，尤其如此。聲音在開始時也許太過“直接”，或者有點猛烈。經過一段時間以後，聲音將會變得柔美，但並不失去清晰度和細節。

保養

通常機箱表面僅需要除掉灰塵。如果希望使用氣霧劑或其他清洗劑，請先小心從機箱移開面網。在清潔布上噴上氣霧劑，不要直接噴到產品上。首先在小範圍內測試，因有些清洗產品會對某些表面造成損壞。避免使用可造成腐蝕、或含酸、堿、抗菌的產品。請勿在驅動單元上使用清潔劑。面網從機箱上取下來後，可用一般的布刷來清潔面網部分。要避免接觸驅動單元，特別是高音單元，否則有可能導致損壞。

為防止表面爆裂的風險，請把產品遠離發熱的地方，如發熱器或熱氣槽等。Bowers & Wilkins 揚聲器以真木製造，並選取最佳的木材，經防紫外線處理以減少顏色隨時間而改變。不論怎樣，像所有天然物料一樣，飾面會隨環境而有所變化，但預期在顏色上亦會有一定程度的改變。這情況會在被面網蓋著的地方更為明顯或有遮掩處的變化亦會較慢。顏色不均的情況可透過把木飾表面平均暴露于陽光下而使它變得均勻，此過程可能要用上數天甚至數周以完成，但亦可透過小心使用紫外線燈來代替。

有限保修

本產品按照最高質量標準設計和製造。不過，假如產品有任何問題，B&W Group Ltd 及其在全國的分銷商將免費在 B&W 正式的分銷商所服務的國家進行修理（可能有例外情況）和更換部件。

此有限保修的有效期為 5 年，從購買之日起算起。對於包括電子產品在內的有源揚聲器，其保修期為 2 年。

使用條款及條件

- 1 保修僅限於對設備的維修。保修既不包括運費和其他費用，也不包括產品移動、搬運和安裝中的風險。
- 2 本保修不具有轉讓性，僅對原有者有效。
- 3 本保修不適用於除了在購買時原材料和（或）工藝的缺陷以外的情形，以及下列情形：
 - a. 由於不正確的安裝、連接和包裝所引起的損壞；
 - b. 因未按照使用手冊裡面的正確方法使用、過失、修改而引起的損壞，或使用非 B&W 或其授權的配件而引起的損壞；
 - c. 由失誤或不適當的輔助設備所引起的損壞；
 - d. 由事故、閃電、水災、火災、戰爭、騷亂所引起的損壞，或在 B&W 及其指定的分銷商合理控制範圍之外的因素所引起的損壞；

- e. 產品序列號被修改、刪除、移去或變得模糊不清的產品；
 - f. 如維修和改動是經未經授權的人所完成的；
- 4 本保證可補充任何零售商或分銷商的國家或地區的法律責任，它並不影響你作為客戶的法律權利。

如何在保修期內要求維修：

如要求提供服務，請按照下列程式辦理：

- 1 如果設備是在購買的國家內使用，你應該與從購買設備的 B&W 認可零售商聯繫。
- 2 如果設備是在購買的國家以外使用，你應當與居住國的 B&W 國內銷售商聯繫，它們會告訴你那裡可以修理設備。你可以致電英國的 B&W 或瀏覽我們的網站來獲取你當地銷售商的聯繫詳情。

為使本保修有效，你須要填妥及保存本保修手冊，並由你的零售商蓋上購買的日期。或者，你須提供購買單據之正本或可證明購買日子及擁有權之憑證。

한국어 사용설명서

고객 여러분

Bowers & Wilkins 제품을 구입하여 주셔서 감사합니다

시스템을 최적으로 사용하기 위해 제품 포장을 해제, 설치하시기 전에 반드시 본 사용설명서를 잘 읽어보시기 바랍니다. B&W는 세계 60개국 이상으로 수출되며 수입원간에는 국제적인 네트워크가 구축되어 있습니다. 만약 대리점에서 해결할 수 없는 문제가 있으면 이 곳으로 문의하여 주시기 바랍니다.

환경 정보



B&W 제품은 유럽 유해물질사용제한지침 (RoHS)과 폐전기전자제품처리지침 (WEEE)에 대응하여 설계되어 있습니다. 리사이클링 마크는 제품이 이 지침에 따라 적절히 재생 또는 처리되어야 함을 표시하고 있습니다.

포장내용

포장 박스 안에 다음과 같은 부속품이 들어 있는지 확인하십시오.

폼 플러그	2개
점착 고무 패드	8개

스피커 설치

스피커는 청취 위치에 앉았을 때 트위터가 귀 높이와 거의 일치하도록 견고한 스탠드 위에 설치하는 것이 가장 좋습니다. 선반이나 벽부 브라켓을 사용하여 설치하는 것도 하나의 방법이나 스피커 위치 조정이 제한될 수 있습니다.

또 사용하는 스탠드나 벽부 브라켓에 따라서는 스피커 음질에 영향을 미치는 경우가 있습니다. B&W 전용 스탠드인 FS-700/CM을 사용할 것을 권장합니다.

스피커를 가구나 선반에 설치할 경우, 부속의 점착 고무 패드를 스피커 캐비닛 바닥에 부착하여 주십시오.

스피커 설치 위치

스피커를 설치한 후 최적의 음질을 얻기 위해 위치를 조정할 필요가 있습니다.

스테레오 또는 홈씨어터 어느 경우에 있어서도 설치 환경은 스피커 각각의 음향 특성이 동일하게 되도록 하여야 합니다. 예를 들면 한 쪽 스피커는 노출된 벽에 근접하여 배치되어 있고 다른 한 쪽 스피커는 부드러운 가구나 커튼 근처에 배치되면 전체적인 음질과 스테레오 이미지의 양면에서 타협하는 모양이 되어 바람직하지 않습니다.

일반적인 스테레오 시스템

먼저 좌우 스피커의 간격을 1.5m ~ 3.0m 정도 유지시킨 후 좌우 스피커가 청취 위치를 정점으로 한 이등변 삼각형의 위치가 되도록 설치합니다. 스피커 뒷 벽면으로부터는 약 0.5m, 좌우 벽면으로부터는 0.5m 이상의 공간이 유지되도록 설치합니다. Figure 1a 에 이 설치를 설명하고 있습니다.

홈씨어터 시스템

홈씨어터 시스템의 프론트 채널에 이 스피커를 사용할 경우, 서라운드 채널이 확대된 사운드 이미지를 만들려는 경향이 있으므로 2채널 오디오(스테레오 시스템)의 경우보다 좌우 스피커를 가깝게 설치하여 주십시오. 또 영상 이미지와 사운드 이미지의 스케일이 일치하도록 프론트 스피커는 스크린 가장자리에서 약 0.5m 이내에 설치하여 주십시오. 스피커 높이는 센터 스피커 높이와 스크린의 중심 사이에 위치하도록 하여 주십시오. 스테레오 설치 시와 동일하게 모든 벽면에서 0.5m 이상의 공간이 유지되도록 하는 것이 이상적입니다. 벽면에 가깝게 설치하면 저음이 강조됩니다. 이 위치에 설치하시고 싶다면 본 사용설명서의 미세 튜닝에서 폼 플러그 사용 부분을 참조하십시오.

홈씨어터 시스템의 서라운드 채널에 이 스피커를 사용할 경우, 채널 수에 따라 Figure 1c로부터 1e를 참고하여 설치하십시오. 청취 공간을 보다 확대시키려면 스피커를 귀 높이보다 높은 위치로 설치하시면 됩니다.

누설 자기장

스피커 드라이브 유닛에서는 캐비닛의 범위를 넘어서 멀리 퍼지는 자기장이 생성됩니다. 자기장에 의해 반응하기 쉬운 물건(TV 및 컴퓨터 모니터, 컴퓨터 디스크, 오디오 및 비디오 테이프, 신용카드 등)은 스피커의 0.5m 이내에 두지 마십시오. LCD나 플라즈마 스크린(PDP)은 자기장의 영향을 받지 않습니다.

연결

반드시 기기의 전원을 끈 상태에서 연결하십시오.

스피커 뒷면에는 터미널 링크로 연결된 2쌍의 단자가 있습니다. 일반적인 연결방법에서는 터미널 링크가 그대로 연결된 상태에서 2쌍 중 한 쌍의 단자에 스피커 케이블을 연결하고 그 케이블을 앰프에 연결합니다. 바이 와이어링 연결에서는 먼저 터미널 링크를 제거하고 2쌍의 단자에 스피커 케이블을 각각 독립적으로 연결한 후 이 케이블을 앰프의 스피커 단자에 연결합니다. 바이 와이어링으로 연결하면 저역 디테일의 해상도가 향상됩니다. Figure 2a와 2b는 일반적인 연결방법과 바이 와이어링 연결방법을 설명하고 있습니다.

스피커의 플러스 단자(+ 및 적색으로 표시)와 앰프의 플러스 출력 단자가, 스피커의 마이너스 단자(- 및 흑색으로 표시)와 앰프의 마이너스 단자가 올바르게 연결되었는지 확인하십시오. 연결이 올바르지 않을 경우 사운드 이미지가 좁아지거나 저음이 부족해집니다.

스피커 케이블을 선택할 때는 대리점이나 전문가에게 문의하십시오. 총 임피던스가 본 스피커의 사양에서 추천하는 최대 임피던스를 초과하지 않도록 주의하십시오. 또한 초고역이 감소되지 않도록 인덕턴스가 낮은 케이블을 사용하십시오.

미세 튜닝

튜닝을 실시하기 전에 모든 연결 상태가 올바르게 안전하지 확인하십시오.

일반적으로 스피커를 벽에서 멀리 떼어 놓을수록 저음이 감소됩니다. 스피커 뒷 쪽에 공간을 확보해야만 깊이 있는 음장감을 얻을 수 있습니다.

반대로 말하면 스피커를 벽에 가까이 설치하면 저음이 증가합니다. 벽과의 거리를 변경하지 않고 저음 양을 줄이고 싶다면 Figure 3에서와 같이 스피커의 베이스 포트에 폼 플러그를, 저음 양을 약간만 줄이려면 베이스 포트에 폼 링을 삽입해 보십시오.

혹시 저음이 주파수적으로 고르지 않다고 느껴지면 이는 리스닝 룸의 공진 모드 때문일 가능성이 있습니다. 스피커의 위치 또는 감상 위치가 조금만 바뀌어도 이러한 공진의 영향이 개선될 수 있습니다. 감상 위치를 이동하던지 또는 스피커를 다른 벽 쪽으로 옮겨 보십시오. 큰 가구나 그 위치도 공진 모드에 영향을 줄 수 있습니다.

센터 이미지가 दो터하지 않을 경우 좌우 스피커의 간격을 줄이거나 스피커의 설치각도를 천취 위치 앞에 맞추어 좀 더 안쪽으로 향하게 하면 개선될 수도 있습니다. Figure 1b는 스피커의 각도를 안쪽으로 향하게 한 경우를 설명하고 있습니다.

고음이 많아 소리가 밝게 들릴 경우에는 음을 흡수하는 부드러운 가구 등을 늘리면 (예를 들면 두꺼운 커튼을 사용하는 등) 사운드 밸런스를 조정하는데 도움이 됩니다. 반대로 음이 영묘하지 않으면 이런 가구를 줄여 보십시오.

플러터 에코 때문에 음향이 좋지 않은 리스닝 룸이 있습니다. 에코는 실내의 평행면 사이에서 일어나는 반사를 말합니다. 플러터 에코가 발생하는 리스닝 룸에서는 스피커 사운드를 탐색하십시오. 룸의 중앙에서 서서 손뼉을 친 후 반복되는 울림으로 에코를 점검합니다. 플러터 에코는 책장이나 벽면에 음을 난반사시키는 불규칙한 형태의 물건이나 음을 반사하지 않는 러그, 패널 등을 설치하면 줄일 수 있습니다.

스피커 스탠드가 바닥에 견고하게 세워져 있는지 확인합니다. 카펫처럼 바닥이 불안정하거나 고르지 않으면 스파이크를 사용하십시오.

길들이는 기간

스피커의 성능은 초기 사용 기간 동안 미소하게 변화됩니다. 스피커를 차가운 곳에서 보관한 경우에는 드라이브 유닛의 댐핑재 및 서스펜션이 본래의 기계적 특성을 정상적으로 회복하기까지 일정 시간이 소요됩니다. 또한 드라이브 유닛 서스펜션도 처음 한 시간만 사용하면 부드러워집니다. 스피커가 본래의 성능을 회복하기까지 필요한 시간은 보관 조건이나 사용 상태 등에 따라 다릅니다. 스피커가 온도 영향을 받지 않고 안정되기까지는 최소 1주일일 걸리며, 기계적 부품들은 평균 15시간 정도 사용한 후에야 본래의 디자인 특성을 얻을 수 있습니다.

길들이는 기간이 길어지면(1개월 정도) 스피커 음색이 변화하는 것 보다 오히려 감상자가 새로운 음에 익숙해지는 쪽이 크다는 것이 보고되고 증명되었습니다. 특히 사용을 시작한 직후에는 음이 전방으로 과도하게 나오는 등 위화감을 느껴거나 딱딱하게 들리지만 이는 음의 디테일 등이 지금까지 귀에 익숙했다면 스피커보다도 현저히 많기 때문입니다. 시간이 지나면 사운드는 투명하나 디테일을 잃는 일 없이 부드러워질 겁니다.

관리

캐비닛 표면은 먼지만 닦으면 됩니다. 에어로졸이나 클리너를 사용할 경우에는 먼저 캐비닛에서 그림을 조심스럽게 분리하십시오. 스프레이는 캐비닛에 직접

뿌리지 말고 부드러운 천에 뿌려 사용하십시오. 클리너가 스피커 표면에 손상을 주지 않는지 먼저 국부 테스트를 통해 확인하십시오. 연마성이 있거나 산, 알칼리, 환공제를 함유한 제품은 사용하지 마십시오. 그림망은 캐비닛에서 분리한 상태에서 일반 옷솔로 청소하십시오. 청소할 때에는 손상될 위험이 있으므로 드라이빙 유닛, 특히 트위터를 건드리지 않도록 각별히 주의하십시오.

스피커 표면이 갈라지거나 트는 것을 방지하기 위해 라디에이터나 온풍기와 같이 열이 발생하는 기기 근처에는 설치하지 마십시오. 항상 리얼 우드로 마감되는 Bowers & Wilkins 스피커는 최상급 비니어를 염선, UV를 차단하는 락커로 처리함으로써 오랜 시간이 흘러도 색상 변화가 최소화됩니다. 모든 자연 소재처럼 비니어도 환경에 따라 어느 정도 색상이 변화됩니다. 특히 그림로 덮여있는 부분이나 그림자로 덮여 있던 부위는 다른 부위보다 색상 변화가 보다 서서히 진행되기 때문에 변색 효과를 쉽게 알 수 있습니다. 색상이 차이가 나게 되면 비니어 표면 전체를 노출시켜 색상이 같아질 때까지 고르게 햇빛을 쬐면 없어집니다. 이 과정은 수일 또는 수주가 걸릴 수도 있으나 UV 램프를 조심스럽게 사용하면 기간을 단축시킬 수 있습니다.

보증에 대하여

본 제품은 높은 품질 수준으로 설계, 제조되고 있지만 혹시라도 제품에 문제가 있는 경우, 보증기간 내에는 B&W 공식 수입원이 있는 모든 나라에서 무상(예외가 있을 수 있음)으로 수리를 해드립니다.

보증기간은 구입 후 3년이며 앰프 내장 스피커(서브우퍼)의 앰프는 2년입니다.

보증조건

1. 보증범위는 제품 수리에 한정됩니다. 그 외의 비용, 제품 철거, 이동, 설치에 따른 고장의 위험은 본 보증 대상이 아닙니다.
2. 본 보증은 구입자 본인에게만 유효합니다. 보증 양도는 불가합니다.
3. 본 보증은 제품 구입시에 불량부품 및 제조상의 결함이 있을 때만 적용되며 다음의 항목은 적용되지 않습니다.
 - a. 부적절한 설치, 연결, 포장으로 인한 손상
 - b. 사용설명서에 기재된 정상적 사용이 아닌 소비자의 과실, 개조, B&W가 생산 또는 인정한 것 이외의 부품을 사용하여 발생한 손상
 - c. 불량 또는 부적절한 접속 기구에 의한 손상
 - d. 사고, 천재지변, 화재, 열 또는 B&W 및 그 공식 수입원의 상식적 관리 범위를 벗어난 불가항력에 의한 손상
 - e. 제조번호가 수정, 삭제, 제거 또는 고의로 판독을 어렵게 한 제품
 - f. 인정하지 않은 자에 의해 수리, 개조된 경우
4. 본 보증은 각 나라/지방 법령이 정하는 대리점 또는 공식 수입원에 부과된 의무를 보완하는 것이며 소비자로서 법정권리에는 영향을 주지 않습니다.

보증기간중의 수리에 대해서

본 제품의 성능에 문제가 있는 경우에는 다음의 절차에 따라 서비스를 의뢰하십시오.

1. 제품을 구입한 국가에서 사용하고 있는 경우에는 구입처나 B&W 공식 수입원에 연락하십시오.

한국: ㈜로이코 서비스 센터 02-322-0500

2. 제품을 구입한 국가 이외에서 사용하고 있는 경우에는 영국의 B&W 본사로 문의하시던지 또는 B&W 홈페이지를 방문하시면 해당 지역의 연락처를 확인할 수 있습니다.

보증기간중에 무상수리를 받으시려면 보증서에 판매점의 날인 및 구입일이 기재되어 있어야 합니다.

EU DECLARATION OF CONFORMITY

We,

B&W Group Ltd.

whose registered office is situated at

Dale Road, Worthing, West Sussex, BN11 2BH, United Kingdom

declare under our sole responsibility that the products:

CM1, CM5

comply with the EU Electro-Magnetic Compatibility (EMC) Directive 89/336/EEC, in pursuance of which the following standards have been applied:

EN 61000-6-1 : 2001

EN 61000-6-3 : 2001

EN 55020 : 2002

EN 55013 : 2001

and comply with the EU General Product Safety 2001/95/EC, in pursuance of which the following standard has been applied:

EN 60065 : 2002

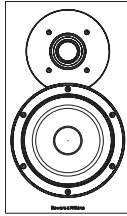
This declaration attests that the manufacturing process quality control and product documentation accord with the need to assure continued compliance.

The attention of the user is drawn to any special measures regarding the use of this equipment that may be detailed in the owner's manual.

Signed:

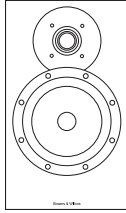


G Edwards
Executive Vice President, Operations
B&W Group Ltd.



CM1

Technical features	Nautilus™ tube loaded aluminium dome tweeter Kevlar® brand fibre cone bass / midrange Flowport™	
Description	2-way vented-box system	
Drive units	1x ø25mm (1 in) aluminium dome high-frequency 1x ø130mm (5 in) woven Kevlar® cone bass / midrange	
Frequency range	-6dB at 45Hz and 50kHz	
Frequency response	55Hz - 22kHz ±3dB on reference axis	
Dispersion	Within 2dB of reference response Horizontal: over 60° arc Vertical: over 10° arc	
Sensitivity	84dB spl (2.83V, 1m)	
Harmonic distortion	2nd and 3rd harmonics (90dB, 1m) <1% 110Hz - 22kHz	
Nominal impedance	8Ω (minimum 5.1Ω)	
Crossover frequency	4kHz	
Recommended amplifier power	30W - 100W into 8Ω on unclipped programme	
Max. recommended cable impedance	0.1Ω	
Dimensions	Height:	280mm (11 in)
	Width:	165mm (6.5 in)
	Depth:	255mm (10 in) cabinet only 276mm (10.9 in) including grille and terminals
Net weight	6.7kg (14.7 lb)	
Finishes	Cabinet	Grille
	Real wood veneers	
	Wengé	Black
	Rosenut	Black
	Painted finish	
	Gloss black	Black



CM5

Technical features	Nautilus™ tube loaded aluminium dome tweeter Kevlar® brand fibre cone bass / midrange Flowport™	
Description	2-way vented-box system	
Drive units	1x ø25mm (1 in) aluminium dome high-frequency 1x ø165mm (6.5 in) woven Kevlar® cone bass / midrange	
Frequency range	-6dB at 45Hz and 50kHz	
Frequency response	52Hz - 22kHz ±3dB on reference axis	
Dispersion	Within 2dB of reference response	
Horizontal:	over 60° arc	
Vertical:	over 10° arc	
Sensitivity	88dB spl (2.83V, 1m)	
Harmonic distortion	2nd and 3rd harmonics (90dB, 1m) <1% 100Hz - 22kHz <0.5% 150Hz - 20kHz	
Nominal impedance	8Ω (minimum 3.7Ω)	
Crossover frequency	4kHz	
Recommended amplifier power	30W - 120W into 8Ω on unclipped programme	
Max. recommended cable impedance	0.1Ω	
Dimensions	Height:	340mm (13.4 in)
	Width:	200mm (7.8 in)
	Depth:	280mm (11 in) cabinet only 301mm (11.9 in) including grille and terminals
Net weight	8.9kg (19.6 lb)	
Finishes	Cabinet	Grille
	Real wood veneers	
	Wengé	Black
	Rosenut	Black
	Painted finish	
	Gloss Black	Black

Bowers & Wilkins

B&W Group Ltd
Dale Road
Worthing West Sussex
BN11 2BH England

T +44 (0) 1903 221 800
F +44 (0) 1903 221 801
info@bwgroup.com
www.bowers-wilkins.com

B&W Group (UK Sales)
T +44 1903 221 500
E uksales@bwgroup.com

B&W Group North America
T +1 978 664 2870
E marketing@bwgroupusa.com

B&W Group Asia Ltd
T +852 2 869 9916
E info@bwgroup.hk

Kevlar is a registered trademark of DuPont.
Nautilus is a trademark of B&W Group Ltd.
Copyright © B&W Group Ltd. E&OE
Printed in China.

Free Manuals Download Website

<http://myh66.com>

<http://usermanuals.us>

<http://www.somanuals.com>

<http://www.4manuals.cc>

<http://www.manual-lib.com>

<http://www.404manual.com>

<http://www.luxmanual.com>

<http://aubethermostatmanual.com>

Golf course search by state

<http://golfingnear.com>

Email search by domain

<http://emailbydomain.com>

Auto manuals search

<http://auto.somanuals.com>

TV manuals search

<http://tv.somanuals.com>