

BOSTITCH®

BTFP72155 / BTFP72156

SMART POINT™ 15 GA ANGLED FINISH NAILER
CLAVADORA NEUMÁTICA ANGULAR PARA CALIBRE
15 SMART POINT™

CLOUEUSE DE FINITION À ANGLE DE
CALIBRE 15 SMART POINT™^{MC}



OPERATION and MAINTENANCE MANUAL MANUAL DE OPERACIÓN Y DE MANTENIMIENTO MANUEL D'INSTRUCTIONS ET D'ENTRETIEN

⚠ WARNING:

⚠ ADVERTENCIA:

⚠ ATTENTION:

BEFORE OPERATING THIS TOOL, ALL OPERATORS SHOULD STUDY THIS MANUAL TO UNDERSTAND AND FOLLOW THE SAFETY WARNINGS AND INSTRUCTIONS. KEEP THESE INSTRUCTIONS WITH THE TOOL FOR FUTURE REFERENCE. IF YOU HAVE ANY QUESTIONS, CONTACT YOUR BOSTITCH REPRESENTATIVE OR DISTRIBUTOR.

ANTES DE OPERAR ESTA HERRAMIENTA, TODOS LOS OPERADORES DEBERÁN ESTUDIAR ESTE MANUAL PARA PODER COMPRENDER Y SEGUIR LAS ADVERTENCIAS SOBRE SEGURIDAD Y LAS INSTRUCCIONES. MANTENGA ESTAS INSTRUCCIONES CON LA HERRAMIENTA PARA FUTURA REFERENCIA, SI TIENE ALGUNA DUDA, COMUNÍQUESE CON SU REPRESENTANTE DE BOSTITCH O CON SU DISTRIBUIDOR.

LIRE ATTENTIVEMENT LE PRÉSENT MANUEL AVANT D'UTILISER L'APPAREIL. PRÊTER UNE ATTENTION TOUTE PARTICULIÈRE AUX CONSIGNES DE SÉCURITÉ ET AUX AVERTISSEMENTS. GARDER CE MANUEL AVEC L'OUTIL POUR FUTUR RÉFÉRENCE. SI VOUS AVEZ DES QUESTIONS, CONTACTEZ VOTRE REPRÉSENTANT OU VOTRE CONCESSIONNAIRE BOSTITCH.

BOSTITCH®

INTRODUCTION

The BOSTITCH BTFP72155 & BTFP72156 are precision-built tools, designed for high speed, high volume fastening. These tools will deliver efficient, dependable service when used correctly and with care. As with any fine power tool, the manufacturer's instructions must be followed for best performance. Please study this manual before operating the tool and understand the safety warnings and cautions. The instructions on installation, operation, and maintenance should be read carefully, and the manuals should be kept for reference. NOTE: Additional safety measures may be required because of your particular application of the tool. Contact your BOSTITCH representative or distributor with any questions concerning the tool and its use. BOSTITCH Fastening Systems, 701 E. Joppa Road, Towson, Maryland 21286, U.S. & Canada Only, É.-U. et Canada seulement.

INDEX

Safety Instructions	3
Tool Components	5
Tool Specifications	6
Air Supply and Connections	7
Loading the Tool	8
Trigger Lockout & Selecting Trip Mode	8-9
Dial-A-Depth®	10
Installing the Belt Hook	11
Tool Operation	12
Jam Clearing Procedure	13
Maintaining the Pneumatic Tool	14
Troubleshooting	16
Available Accessories	17

NOTE:

BOSTITCH tools have been engineered to provide excellent customer satisfaction and are designed to achieve maximum performance when used with precision BOSTITCH fasteners engineered to the same exacting standards. **BOSTITCH cannot assume responsibility for product performance if our tools are used with fasteners or accessories not meeting the specific requirements established for genuine BOSTITCH nails, staples and accessories.**



LIMITED WARRANTY – U.S. and Canada Only

BOSTITCH Fastening Systems ("BOSTITCH") warrants to the original retail purchaser that the product purchased is free from defects in material and workmanship, and agrees to repair or replace, at BOSTITCH's option, any defective BOSTITCH branded pneumatic stapler or nailer for a period of seven (7) years from date of purchase (one (1) year from the date of purchase for compressors and tools used in production applications). Warranty is not transferable. Proof of purchase date required. This warranty covers only damage resulting from defects in material or workmanship; it does not cover conditions or malfunctions resulting from normal wear, neglect, abuse, accident or repairs attempted or made by other than our national repair center or authorized warranty service centers. Driver blades, bumpers, o-rings, pistons and piston rings are considered normally wearing parts. For optimal performance of your BOSTITCH tool always use genuine BOSTITCH fasteners and replacement parts.

THIS WARRANTY IS IN LIEU OF ALL OTHER WARRANTIES, EXPRESS OR IMPLIED, INCLUDING BUT NOT LIMITED TO THE IMPLIED WARRANTIES OF MERCHANTABILITY OR FITNESS FOR A PARTICULAR PURPOSE. BOSTITCH SHALL NOT BE LIABLE FOR ANY INCIDENTAL OR CONSEQUENTIAL DAMAGES.

Some states and countries do not allow limitations on how long an implied warranty lasts, or the exclusion or limitation of incidental or consequential damages, so the above limitations or exclusions may not apply to you. This warranty gives you specific legal rights, and you may also have other rights which vary from state to state and country to country.

To obtain warranty service in the U.S. return the product, together with proof of purchase, to the U.S. BOSTITCH National or Regional Independent Authorized Warranty Service Center. In the U.S. you may call us at 1-800-556-6696 or visit www.BOSTITCH.com for the location most convenient for you. In Canada please call us at 1-800-567-7705 or visit www.BOSTITCH.com

SAVE THESE INSTRUCTIONS

DEFINITIONS - SAFETY GUIDELINES

This manual contains information that is important for you to know and understand. This information relates to protecting YOUR SAFETY and PREVENTING EQUIPMENT PROBLEMS. To help you recognize this information, we use the symbols below. Please read the manual and pay attention to these symbols.

- ⚠ DANGER:** Indicates an imminently hazardous situation which, if not avoided, will result in death or serious injury.
- ⚠ WARNING:** Indicates a potentially hazardous situation which, if not avoided, could result in death or serious injury.
- ⚠ CAUTION:** Indicates a potentially hazardous situation which, if not avoided, may result in minor or moderate injury.
- NOTICE:** Indicates a situation which, if not avoided, may result in property damage.

SAFETY INSTRUCTIONS

- ⚠ WARNING:** **EYE PROTECTION** which conforms to ANSI specifications and provides protection against flying particles both from the FRONT and SIDE should ALWAYS be worn by the operator and others in the work area when connecting to air supply, loading, operating or servicing this tool. Eye protection is required to guard against flying fasteners and debris, which could cause severe eye injury.



The employer and/or user must ensure that proper eye protection is worn. Eye protection equipment must conform to the requirements of the American National Standards Institute, ANSI Z87.1 and provide both frontal and side protection. NOTE: Non-side shielded spectacles and face shields alone do not provide adequate protection.



CAUTION: Additional Safety Protection will be required in some environments. For example, the working area may include exposure to noise level which can lead to hearing damage. The employer and user must ensure that any necessary hearing protection is provided and used by the operator and others in the work area. Some environments will require the use of head protection equipment. When required, the employer and user must ensure that head protection conforming to ANSI Z89.1 is used.

- ⚠ WARNING:** Some dust created by power sanding, sawing, grinding, drilling, and other construction activities contains chemicals known to the State of California to cause cancer, birth defects or other reproductive harm. Some examples of these chemicals are:

- lead from lead-based paints
- crystalline silica from bricks and cement and other masonry products
- arsenic and chromium from chemically-treated lumber.

Your risk from these exposures varies, depending on how often you do this type of work. To reduce your exposure to these chemicals: work in a well ventilated area, and work with approved safety equipment, such as those dust masks that are specially designed to filter out microscopic particles.

AIR SUPPLY AND CONNECTIONS

- ⚠ WARNING:** Do not use oxygen, combustible gases, or bottled gases as a power source for this tool as tool may explode, possibly causing injury.
- ⚠ WARNING:** Do not use supply sources which can potentially exceed 200 P.S.I.G. as tool may burst, possibly causing injury.
- ⚠ WARNING:** The connector on the tool must not hold pressure when air supply is disconnected. If a wrong fitting is used, the tool can remain charged with air after disconnecting and thus will be able to drive a fastener even after the air line is disconnected possibly causing injury.
- ⚠ WARNING:** Do not pull trigger or depress contact arm while connected to the air supply as the tool may cycle, possibly causing injury.
- ⚠ WARNING:** Always disconnect air supply: 1.) Before making adjustments; 2.) When servicing the tool; 3.) When clearing a jam; 4.) When tool is not in use; 5.) When moving to a different work area, as accidental actuation may occur, possibly causing injury.

LOADING TOOL

⚠WARNING: When loading tool: 1.) Never place a hand or any part of body in fastener discharge area of tool; 2.) Never point tool at anyone; 3.) Do not pull the trigger or depress the trip as accidental actuation may occur, possibly causing injury.

OPERATION

NOTICE: This tool operates differently from all other BOSTITCH tools. To provide maximum visibility for accurate fastener placement, the trip of this tool is normally in the “depressed” or “up” position. On all other BOSTITCH tools and most other tools, the trip is normally in the “down” position.

This tool has a selectable trigger mode which determines if the tool drives fasteners in sequential or contact mode. In sequential trip mode, when the tip of the nose is placed on the work surface and the trigger is pulled, the trip moves out from the tool to detect the work surface. The tool nose tip must be in contact with the work surface to actuate. If the trip does not detect the work surface close enough to the nose of the tool, the tool will not actuate.

In contact trip mode, when the trigger is depressed and held, the trip will move out from the tool. Contacting the work surface with the tool nose, will actuate the trip mechanism driving a fastener each time the work surface is contacted.

⚠WARNING: Always handle the tool with care: 1.) Never engage in horseplay; 2.) Never pull the trigger unless nose is directed toward the work; 3.) Keep others a safe distance from the tool while tool is in operation as accidental actuation may occur, possibly causing injury.

⚠WARNING: The operator must not hold the trigger pulled on contact arm tools except during fastening operation as serious injury could result if the trip accidentally contacted someone or something, causing the tool to cycle.

⚠WARNING: Keep hands and body away from the discharge area of the tool. A contact arm tool may bounce from the recoil of driving a fastener and an unwanted second fastener may be driven possibly causing injury.

⚠WARNING: Check operation of the contact arm mechanism frequently. Do not use the tool if the arm is not working correctly as accidental driving of a fastener may result. Do not interfere with the proper operation of the contact arm mechanism.

⚠WARNING: Do not drive fasteners on top of other fasteners or with the tool at an overly steep angle as this may cause deflection of fasteners which could cause injury.

⚠WARNING: Do not drive fasteners close to the edge of the work piece as the wood may split, allowing the fastener to be deflected possibly causing injury.

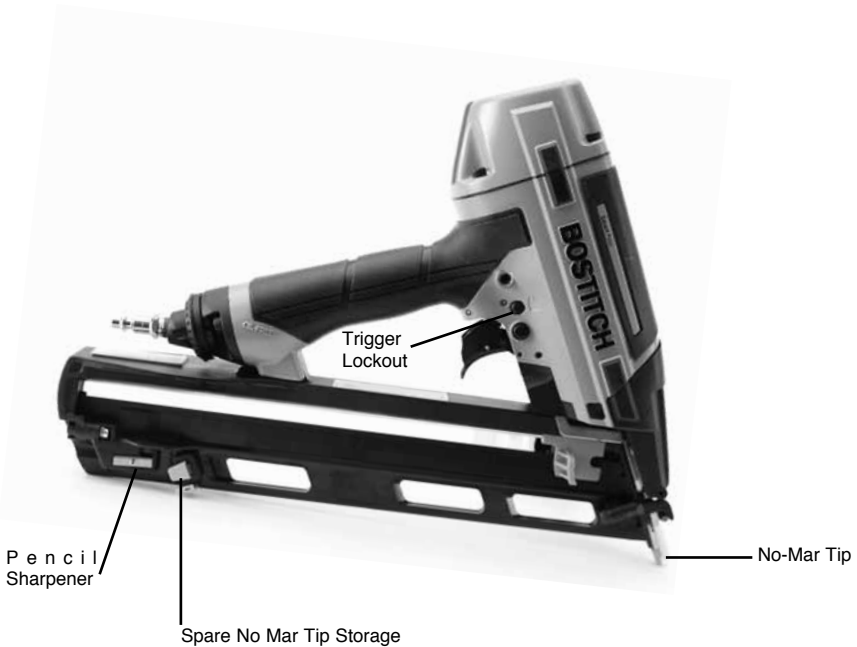
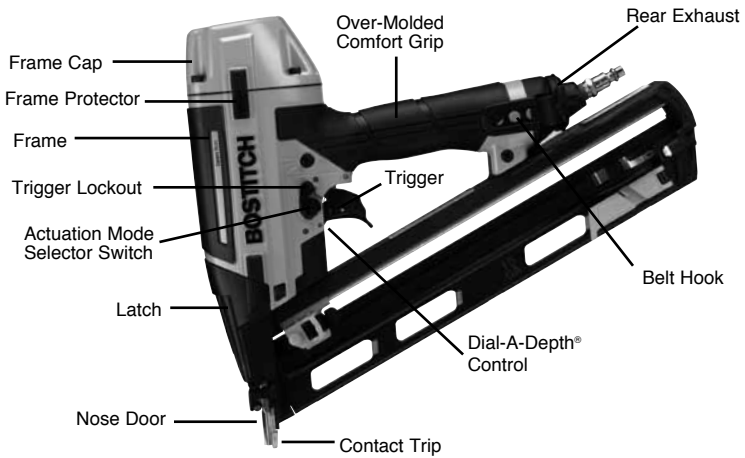
⚠WARNING: This nailer produces SPARKS during operation. NEVER use the nailer near flammable substances, gases or vapors including lacquer, paint, benzine, thinner, gasoline, adhesives, mastics, glues or any other material that is -- or the vapors, fumes or by-products of which are -- flammable, combustible or explosive. Using the nailer in any such environment could cause an EXPLOSION resulting in personal injury or death to user and bystanders.

MAINTAINING THE TOOL

⚠WARNING: If the tool has been dropped or you suspect tool damage perform tool operation check as defined in the tool operation check section.

⚠WARNING: When working on air tools note the warnings in this manual and use extra care when evaluating problem tools.

TOOL COMPONENTS



TOOL SPECIFICATIONS

All dimensions in inches unless otherwise specified.

	BTFP72155	BTFP72156
Description	DA15 GA Angled Finish Nailer	FN15 GA Angled Finish Nailer
Engine Type	Oil-Free	Oil-Free
Operation Pressure Range	70-120 PSI (4.9 to 8.43kg/cm ²)	70-120 PSI (4.9 to 8.43kg/cm ²)
Maximum Operation Pressure	120 PSI (8.43 kg/cm ²)	120 PSI (8.43 kg/cm ²)
Fastener Type	DA15 Series	FN15 Series
Fastener Gauge	15 Gauge	15 Gauge
Fastener Range	1-1/4" - 2-1/2" (31mm - 63mm)	1-1/4" - 2-1/2" (31mm - 63mm)
Magazine Capacity	100	129
Length	12.8" (325mm)	14.3" (363mm)
Width	3.8" (97mm)	3.8" (97mm)
Height	12.1" (307mm)	12.1" (307mm)
Weight	4.22lbs (1.9kg)	4.32lbs (2.0kg)

Operating Pressure:

70 to 120 p.s.i.g. (4.9 to 8.43 kg/cm²). Select the operating pressure within in this range for best fastener performance.

DO NOT EXCEED THIS RECOMMENDED OPERATING PRESSURE.


Air Consumption:


The BTFP72155 requires 1.8 cubic feet per minute or C.F.M. (51.0 liters per minute or LT/MIN) of free air at 80 PSI (5.6 kg/cm²) to operate at a rate of 60 fasteners per minute. The BTFP72156 requires 1.9 cubic feet per minute or C.F.M. (53.8 liters per minute or LT/MIN) of free air at 80 PSI (5.6 kg/cm²) to operate at a rate of 60 fasteners per minute.

To determine the appropriately sized air compressor, take the actual rate at which the tool will be run and compare the required C.F.M. (LT/MIN) to the compressors free air delivery (C.F.M./ LT/MIN) at 80 PSI (5.6 kg/cm²).

For example, if your fastener usage averages 30 fasteners per minute, you need 50% of the tools C.F.M. required to operate the tool at the rate of 60 fasteners per minute. In this case, be sure that your air compressor can deliver a minimum of 0.9 C.F.M. (25.5 LT/MIN) at 80 PSI(5.6 kg/cm²) for optimum performance of the BTFP72155.

FASTENER SPECIFICATIONS

Tool Model	Fastener Type	Fastener SKU	Crown Width	Gauge	Length
BTFP72155	 DA Type Angled Finish Nails	DA1520	N/A	15	1-1/4" (32mm)
		DA1524	N/A	15	1-1/2" (38mm)
		DA1532	N/A	15	2" (50mm)
		DA1540	N/A	15	2-1/2" (63mm)

BTFP72156	 Angled Finish Nails	FN1520	N/A	15	1-1/4" (32mm)
		FN1524	N/A	15	1-1/2" (38mm)
		FN1528	N/A	15	1-3/4" (45mm)
		FN1532	N/A	15	2" (50mm)
		FN1536	N/A	15	2-1/4" (57mm)
		FN1540	N/A	15	2-1/2" (63mm)

* Stainless steel fasteners also available in certain sizes. Visit www.BOSTITCH.com for further details.

NOTE:

BOSTITCH tools have been engineered to provide superior customer satisfaction and are designed to achieve maximum performance when used with precision BOSTITCH fasteners engineered to the same exacting standards. **BOSTITCH cannot assume responsibility for product performance if our tools are used with fasteners or accessories not meeting the specific requirements established for genuine BOSTITCH fasteners and accessories.**

AIR SUPPLY AND CONNECTIONS

WARNING: Do not use oxygen, combustible gases, or bottled gases as a power source for this tool as tool may explode, possibly causing injury.

FITTINGS:

Install a male plug on the tool which is free flowing and which will release air pressure from the tool when disconnected from the supply source.

HOSES:

Air hoses should have a minimum of 150 p.s.i. (10.6 kg/cm²) working pressure rating or 150 percent of the maximum pressure that could be produced in the air system. The supply hose should contain a fitting that will provide "quick disconnecting" from the male plug on the tool.

SUPPLY SOURCE:

Use only clean regulated compressed air as a power source for this tool. NEVER USE OXYGEN, COMBUSTIBLE GASES, OR BOTTLED GASES, AS A POWER SOURCE FOR THIS TOOL AS TOOL MAY EXPLODE.

REGULATOR:

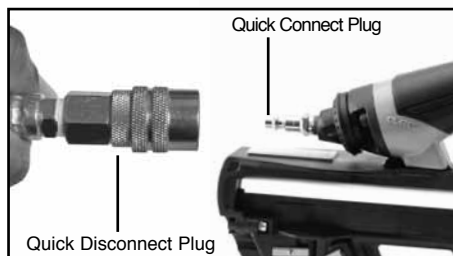
A pressure regulator with an operating pressure of 0 - 125 p.s.i. (0 - 8.79 kg/cm²) is required to control the operating pressure for safe operation of this tool. Do not connect this tool to air pressure which can potentially exceed 200 p.s.i. (14 kg/cm²) as tool may fracture or burst, possibly causing injury.

OPERATING PRESSURE:

Do not exceed recommended maximum operating pressure as tool wear will be greatly increased. The air supply must be capable of maintaining the operating pressure at the tool. Pressure drops in the air supply can reduce the tool's driving power. Refer to "TOOL SPECIFICATIONS" for setting the correct operating pressure for the tool.

FILTER:

Dirt and water in the air supply are major causes of wear in pneumatic tools. A filter will help to get the best performance and minimum wear from the tool. The filter must have adequate flow capacity for the specific installation. The filter has to be kept clean to be effective in providing clean compressed air to the tool. Consult the manufacturer's instructions on proper maintenance of your filter. A dirty and clogged filter will cause a pressure drop which will reduce the tool's performance.



LOADING THE TOOL

⚠WARNING:

EYE PROTECTION which conforms to ANSI specifications and provides protection against flying particles both from the **FRONT** and **SIDE** should **ALWAYS** be worn by the operator and others in the work area when connecting to air supply, loading, operating or servicing this tool. Eye protection is required to guard against flying fasteners and debris, which could cause severe eye injury.



The employer and/or user must ensure that proper eye protection is worn. Eye protection equipment must conform to the requirements of the American National Standards Institute, ANSI Z87.1 and provide both frontal and side protection. **NOTE:** Non-side shielded spectacles and face shields alone do not provide adequate protection.

⚠WARNING:

TO PREVENT ACCIDENTAL INJURIES:

- Never place a hand or any other part of the body in nail discharge area of tool while the air supply is connected.
- Never point the tool at anyone else.
- Never engage in horseplay.
- Never pull the trigger unless nose is directed at the work.
- Always handle the tool with care.
- Do not pull the trigger or depress the trip mechanism while loading the tool.

LOADING THE BTFP72155/BTFP72156

The BTFP72155/BTFP72156 nailers are equipped with dual load purpose magazines. Nails can be loaded in either method.

LOAD AND PULL PUSHER

1. Load nails through the slot in the rear of the magazine to past retaining clip.
2. Pull pusher back behind nail stick and release.
3. Ensure magazine pusher is behind the last nail stick.
4. Blow the magazine clean periodically to keep the pusher moving smoothly and to keep dirt and debris out of the nail channel.



PULL PUSHER TO LOCK BACK AND LOAD

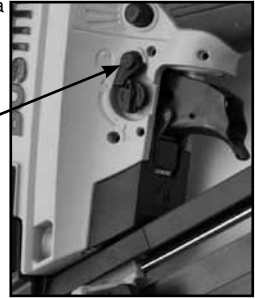
1. Pull pusher back until it is locked at the end of magazine.
2. Load nails through the slot in the rear of the magazine and past retaining clip.
3. Press the pusher button to release and allow the pusher to push behind the nails.
4. Blow the magazine clean periodically to keep the pusher moving smoothly and to keep dirt and debris out of the nail channel.



TRIGGER LOCKOUT CONTROL

The trigger lockout control feature on BOSTITCH pneumatic tools provides a trigger lock feature for added safety control. Push the lockout control button in or out to activate or lock the tool trigger.

Trigger Lockout
Control Button



TRIP OPERATION MODE

⚠WARNING:

Always disconnect air supply before making adjustments as accidental actuation may occur, possibly causing injury.

The BTFP72155/BTFP72156 feature a selectable trigger system that allows the user to choose between the following modes of operation:

1. Contact Trip Operation
2. Sequential Trip Operation

1. CONTACT TRIP:

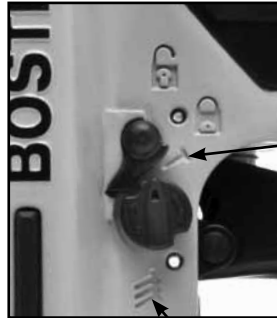
The common operation procedure on "Contact Trip" tools is for the operator to contact the work surface to actuate the trip mechanism while keeping the trigger pulled, thus driving a fastener each time the work surface is contacted. This will allow rapid fastener placement on many jobs. All pneumatic tools are subject to recoil when driving fasteners. The tool may bounce, releasing the trip, and if unintentionally allowed to re-contact the work surface with the trigger still actuated (finger still holding the trigger pulled) an unwanted second fastener will be driven.

2. SEQUENTIAL TRIP:

The Sequential Trip requires the operator to hold the tool against the work before pulling the trigger. This makes accurate fastener placement easier. The Sequential Trip allows exact fastener location without the possibility of driving a second fastener on recoil as described under "Contact Trip". The Sequential Trip Tool has a positive advantage because it will not accidentally drive a fastener if the tool is contacted against the work surface - or anything else - while the operator is holding the trigger pulled.

SELECTING THE TRIP MODE:

To ensure safety, the user must lock the trigger (as described above) before changing the trigger system. To change the trip mode, rotate the mode switch toward the body of the tool. The mode switch will lock automatically when the indicating arrow is pointing down to the 3 nail icon stamped into the tool frame (Contact Trip Mode) or to a single nail icon stamped into the tool frame (Sequential Trip Mode). Unlock the trigger to resume tool operation.



Sequential Trip Mode

(trip mode selector switch pointing up)

Contact Trip Mode

(trip mode selector switch pointing down)

DIAL-A-DEPTH® FASTENER CONTROL ADJUSTMENT

The DIAL-A-DEPTH® Fastener control adjustment feature provides close control of the fastener drive depth: from flush with the work surface to shallow or deep countersink. First set the air pressure for consistent drive in the specific work as described on page 7, then use the DIAL-A-DEPTH® fastener control adjustment to give the desired depth of drive.



Dial-A-Depth® Fastener Control Adjustment

IN ADDITION TO THE OTHER WARNINGS CONTAINED IN THIS MANUAL OBSERVE THE FOLLOWING FOR SAFE OPERATION

- Use the BOSTITCH pneumatic tool only for the purpose for which it was designed.
- Never use this tool in a manner that could cause a fastener to be directed toward the user or others in the work area.
- Do not use the tool as a hammer.
- Always carry the tool by the handle. Never carry the tool by the air hose.
- Do not alter or modify this tool from the original design or function without approval from BOSTITCH.
- Always be aware that misuse and improper handling of this tool can cause injury to yourself and others.
- Never clamp or tape the trigger or contact trip in an actuated position.
- Never leave a tool unattended with the air hose attached.
- Do not operate this tool if it does not contain a legible WARNING LABEL.
- Do not continue to use a tool that leaks air or does not function properly. Notify your nearest BOSTITCH representative if your tool continues to experience functional problems.

BELT HOOK

WARNING: Always disconnect tool from air supply before making adjustments or before attempting any part assembly or disassembly.

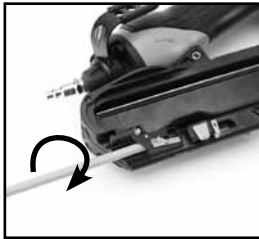
NOTICE: The belt hook can not be removed.

The Bostitch BTFP72155 & BTFP72156 include an integrated belt hook and can be rotated to either side of the tool to accommodate left- or right- handed users. It can also be rotated out of the way when not in use.



USING THE INTEGRATED PENCIL SHARPENER

A standard pencil sharpener is integrated into the magazine for the operator's convenience. To sharpen a pencil, insert any standard pencil into the hole and rotate the pencil to the right (clockwise) to sharpen.



INTEGRATED AIR BLOWER

WARNING: NEVER blow debris toward yourself or others in the work area.

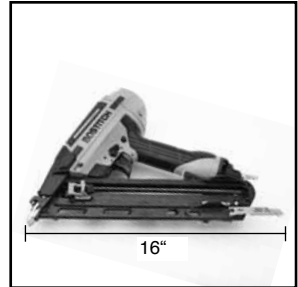
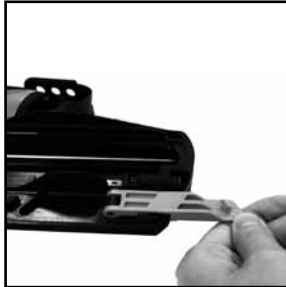
BTFP72155 & BTFP72156 have an integrated air blower that helps clean debris while working. Press the integrated air blower button. Compressed air will be ejected out from front of the tool. Released the button to stop blowing air.



16" O.C. GAUGE

16" O.C. gauge helps to indicate stud location.

1. Pull up the O.C. gauge to rotate to the opposite side.
2. Press on the O.C. gauge to snap into the magazine.
3. 16" is measured from nose to the tip of O.C. gauge to help find stud.



TOOL OPERATION



EYE PROTECTION which conforms to ANSI specifications and provides protection against flying particles both from the **FRONT** and **SIDE** should **ALWAYS** be worn by the operator and others in the work area when connecting to air supply, loading, operating or servicing this tool. Eye protection is required to guard against flying fasteners and debris, which could cause severe eye injury.

⚠WARNING:

The employer and/or user must ensure that proper eye protection is worn. Eye protection equipment must conform to the requirements of the American National Standards Institute, ANSI Z87.1 and provide both frontal and side protection. **NOTE:** Non-side shielded spectacles and face shields alone do not provide adequate protection.

BEFORE HANDLING OR OPERATING THIS TOOL:

- I. READ AND UNDERSTAND THE WARNINGS CONTAINED IN THIS MANUAL.
- II. REFER TO "TOOL SPECIFICATIONS" IN THIS MANUAL TO IDENTIFY THE OPERATING SYSTEM ON YOUR TOOL.

OPERATION

1. CONTACT TRIP OPERATION:

In CONTACT TRIP MODE the tool contains a contact trip that operates in conjunction with the trigger to drive a fastener. There are two methods of operation to drive fasteners with a contact trip tool.

- A. SINGLE FASTENER PLACEMENT: To operate the tool in this manner, first position the contact trip on the work surface, **WITHOUT PULLING THE TRIGGER**. Hold the nose against the work surface and then pull the trigger to drive a fastener. Do not press the tool against the work with extra force. Instead, allow the tool to recoil off the work surface to avoid a second unwanted fastener. Remove your finger from the trigger after each operation.
- B. RAPID FASTENER OPERATION: To operate the tool in this manner, hold the tool with the contact trip pointing towards but not touching the work surface. Pull the trigger and then tap the contact trip against the work surface using a bouncing motion. Each depression of the contact trip will cause a fastener to be driven.

⚠WARNING:

The operator must not hold the trigger pulled on contact trip tools except during fastening operation, as serious injury could result if the trip accidentally contacts someone or something, causing the tool to cycle.

⚠WARNING:

Keep hands and body away from the discharge area of the tool. A contact trip tool may bounce from the recoil of driving a fastener and an unwanted second fastener may be driven, possibly causing injury.

2. SEQUENTIAL TRIP OPERATION:

In SEQUENTIAL TRIP MODE the contact trip operates in conjunction with the trigger to drive a fastener. To operate a sequential trip tool, first position the contact trip on the work surface **WITHOUT PULLING THE TRIGGER**. Hold the nose against the work surface and then pull the trigger to drive a fastener. As long as the contact trip is contacting the work and is held depressed, the tool will drive a fastener each time the trigger is depressed. If the contact trip is allowed to leave the work surface, the sequence described above must be repeated to drive another fastener.

NOTICE: This tool operates differently from all other BOSTITCH tools. To provide maximum visibility for accurate fastener placement, the trip of this tool is normally in the “depressed” or “up” position. On all other BOSTITCH tools and most other tools, the trip is normally in the “down” position.

This tool has a selectable trigger mode which determines if the tool drives fasteners in sequential or contact mode. In sequential trip mode, when the tip of the nose is placed on the work surface and the trigger is pulled, the trip moves out from the tool to detect the work surface. The tool nose tip must be in contact with the work surface to actuate. If the trip does not detect the work surface close enough to the nose of the tool, the tool will not actuate.

In contact trip mode, when the trigger is depressed and held, the trip will move out from the tool. Contacting the work surface with the tool nose, will actuate the trip mechanism driving a fastener each time the work surface is contacted.

WARNING: If the tool has been dropped or you suspect tool damage perform tool operation check as defined in the tool operation check section.

JAM CLEARING PROCEDURE

WARNING: Disconnect tool from air supply before making adjustments or before attempting any part assembly or disassembly.

On occasion nails can jam in the nose of a pneumatic nailer. This can be caused by striking a metal plate in the wall, drywall screw, or some other hard object. The BTFP72155/BTFP72156 features open drive channel architecture for jam clearing. To clear a jam follow this procedure:

1. Disconnect the tool from the air supply.
2. Release the pusher so it is no longer applying force to the nail sticks.
3. Open the jam clearing nose door by pulling down and then up on the latch.
4. Remove the jammed fastener. In certain circumstances, pliers may be required to remove the fastener.
5. Close the jam clearing nose door latch.
6. Pull nail pusher back behind nail sticks.
7. Perform tool operation check.

BTFP72155/BTFP72156 JAM CLEARING



TOOL OPERATION CHECK

WARNING: Always remove all fasteners from tool before performing tool operation check.

WARNING: if the tool is dropped or you suspect tool damage perform tool operation check.

1. CONTACT TRIP OPERATION:

A. With finger off the trigger, press the contact trip against the work surface.

THE TOOL MUST NOT CYCLE.

B. Hold the tool off the work surface, and pull the trigger.

THE TOOL MUST NOT CYCLE.

C. With the tool off the work surface, pull the trigger. Press the contact trip against the work surface.

THE TOOL MUST CYCLE.

D. Without touching the trigger, press the contact trip against the work surface, then pull the trigger.

THE TOOL MUST CYCLE.

2. SEQUENTIAL TRIP OPERATION:

A. Press the contact trip against the work surface, without touching the trigger.

THE TOOL MUST NOT CYCLE.

B. Hold the tool off the work surface and pull the trigger.

THE TOOL MUST NOT CYCLE.

C. Pull the trigger and press the contact trip against the work surface.

THE TOOL MUST NOT CYCLE.

D. With finger off the trigger, press the contact trip against the work surface. Pull the trigger.

THE TOOL MUST CYCLE.

MAINTAINING THE PNEUMATIC TOOL

▲WARNING: When working on air tools, note the warnings in this manual and use extra care evaluating problem tools.

REPLACEMENT PARTS:

Use only genuine BOSTITCH replacement parts. Do not use modified parts.

ASSEMBLY PROCEDURE FOR SEALS:

When repairing a tool, make sure the internal parts are clean and lubricated. Use Parker "O"-LUBE, Magnalube, or equivalent on all "O"-rings. Coat each "O"-ring with lubricant before assembling.

AIR SUPPLY-PRESSURE AND VOLUME:

Air volume is as important as air pressure. The air volume supplied to the tool may be inadequate because of undersize fittings and hoses, or from the effects of dirt and water in the system. Restricted air flow will prevent the tool from receiving an adequate volume of air, even though the pressure reading is high. The results will be slow operation, misfeeds or reduced driving power. Before evaluating tool problems for these symptoms, trace the air supply from the tool to the supply source for restrictive connectors, low points containing water and anything else that would prevent full volume flow of air to the tool.

MAINTENANCE CHECKLIST

Maintenance	Benefit	Procedure	Service Interval
Inspect trigger performance	Ensure trigger system is in proper working order	Refer to Tool Operation Check section in this manual	Daily
Drain condensation from air compressor tanks and air filters daily or after each use.	Prevents accumulation of moisture that can impede tool performance	Open drain cock on tanks and air filters and drain all condensate	Daily
Clean magazine assembly	Prevents accumulation of debris that could cause a jam	Blow clean with compressed air	Daily
Clean nose, door, and contact arm area	Prevents accumulation of debris that could cause a jam or malfunction	Blow clean with compressed air	Daily
Ensure all fasteners remain tight	Prevent loose parts	Tighten all fasteners with appropriately sized hex wrench	Weekly
Check/clean air inlet air filter	Maintains proper air flow to engine for peak performance.	Remove end cap and use compressed air blow gun to blow filter clean. Replace filter as required.	25,000 Fasteners, or monthly - if used in dusty location
Replace no-mar tip	Prevents marks in softwood applications	Remove worn no-mar tip and replace with a new tip (a spare tip is located on the magazine)	25,000 Fasteners
Replace piston/driver assembly	Maintains consistent drive quality	Refer to replacement part kit instructions	150,000 Fasteners
Replace O-rings	Maintains engine for peak performance	Refer to replacement part kit instructions	250,000 Fasteners
Replace bumper	Maintains engine for peak performance	Refer to replacement part kit instructions	250,000 Fasteners
Replace headvalve	Maintains engine for peak performance	Refer to replacement part kit instructions	250,000 Fasteners
Replace engine cylinder	Maintains engine for peak performance	Refer to replacement part kit instructions	500,000 Fasteners

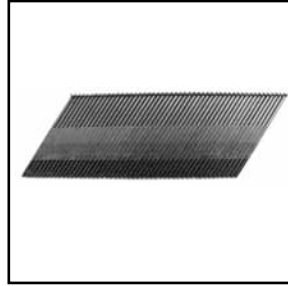
TROUBLESHOOTING

PROBLEM	CAUSE	CORRECTION
Trigger valve housing leaks air	O-ring cut or cracked.....	Replace O-ring
Trigger valve stem leaks air	O-ring/seals cut or cracked	Replace trigger valve assembly
Frame/nose leaks air	O-ring or gasket is cut or cracked.....	Replace O-ring or gasket
	Bumper cracked/worn.....	Replace bumper
Frame/cap leaks air	Damaged gasket or seal	Replace gasket or seal
	Cracked/worn head valve	Replace head valve
	Loose cap screws	Tighten and recheck
Failure to cycle	Air supply restriction	Check air supply equipment
	Worn head valve	Replace head valve
	Broken cylinder cap spring.....	Replace cylinder cap spring
	Head valve stuck in cap	Disassemble / Check / Lubricate
Failure to complete cycle	Debris in nose, door, contact arm area	Clean nose, door, contact arm area
Lack of power; slow to cycle	Broken cylinder cap spring.....	Replace cap spring
	Rings/seals cut or cracked.....	Replace rings/seals
	Exhaust blocked	Check bumper, head valve spring
	Trigger assembly worn/leaks.....	Replace trigger assembly
	Dirt/tar build up on driver	Disassemble nose/driver to clean
	Cylinder sleeve not seated correctly on bottom bumper	Disassemble to correct
	Air pressure too low.....	Check air supply equipment
	Clogged air filter	Clean or replace air filter
Skipping fasteners; intermittent feed	Worn bumper.....	Replace bumper
	Debris in nose, door, contact arm area	Clean nose, door, contact arm area
	Air restriction/inadequate air flow through quick disconnect socket and plug.....	Replace quick disconnect fittings
	Worn piston ring.....	Replace ring, check driver
	Damaged pusher spring	Replace spring
	Low air pressure.....	Check air supply system to tool
	Loose magazine nose screws	Tighten all screws
	Fasteners too short for tool.....	Use only recommended fasteners
	Bent fasteners.....	Discontinue using these fasteners
	Wrong size fasteners.....	Use only recommended fasteners
	Leaking head cap gasket	Tighten screws/replace gasket
	Trigger valve O-ring cut/worn	Replace O-ring
	Broken/chipped driver.....	Replace driver (check piston ring)
	Dry/dirty magazine	Clean/lubricate use BOSTITCH Air Tool Lubricant
	Worn magazine	Replace magazine
	Clogged air filter	Clean or replace air filter
Fasteners jam in tool	Driver channel worn	Replace nose/check door
	Wrong size fasteners.....	Use only recommended fasteners
	Bent fasteners.....	Discontinue using these fasteners
	Loose magazine/nose screws	Tighten all screws
	Broken/chipped driver.....	Replace driver

AVAILABLE ACCESSORIES



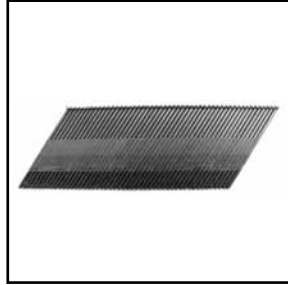
N62FNB-RK
Rebuild Kit - BTFP72156
DA1564K-RK
Rebuild Kit - BTFP72155



DA SERIES
15GAUGE ANGLED FINISH NAILS
AVAILABLE IN BRITE



TVA #17
TRIGGER VALVE KIT -
BTFP72155 & BTFP72156



FN SERIES
15GAUGE ANGLED FINISH
NAILS AVAILABLE IN BRITE OR
STAINLESS STEEL

INTRODUCCIÓN

Las herramientas BOSTITCH BTFP72155 y BTFP72156 son herramientas construidas con precisión, diseñadas para una sujeción a alta velocidad y de alto volumen. Estas herramientas ofrecen un servicio confiable y eficiente cuando se utilizan de la manera correcta y con cuidado. Al igual que con cualquier herramienta eléctrica delicada, se deben seguir las instrucciones del fabricante para optimizar el rendimiento. Estudie este manual antes de operar la herramienta y entienda las advertencias y precauciones de seguridad. Las instrucciones sobre la instalación, la operación y el mantenimiento se deben leer con cuidado, y los manuales deben estar al alcance para referencia. NOTA: Es probable que se requieran medidas adicionales de seguridad debido a su aplicación específica de la herramienta. Comuníquese con su representante o distribuidor de BOSTITCH por cualquier pregunta sobre la herramienta y su uso. BOSTITCH Fastening Systems, 701 E. Joppa Road, Towson, Maryland 21286, EE. UU. y solo Canadá, É.-U. et Canada seulement.

ÍNDICE

Instrucciones de seguridad	17
Componentes de la herramienta	19
Especificaciones de la herramienta	20
Suministro de aire y conexiones	21
Carga de la herramienta.	22
Control de bloqueo del gatillo.	23
Dial-A-Depth®	23
Instalación del gancho para el cinturón	24
Funcionamiento de la herramienta.	25
Procedimiento para despejar atascos	25-26
Mantenimiento de la herramienta neumática	26-27
Solución de problemas.	28
Accesorios disponibles	28

NOTA:

Las herramientas BOSTITCH se han diseñado para brindar una satisfacción excelente al cliente y lograr máximo rendimiento al utilizarse con fijaciones de precisión BOSTITCH diseñadas con las mismas normas estrictas. **BOSTITCH no puede asumir responsabilidad alguna por el rendimiento del producto si se utilizan nuestras herramientas con fijaciones o accesorios que no reúnen los requisitos específicos establecidos para los clavos, grapas y accesorios genuinos de BOSTITCH.**



GARANTÍA LIMITADA — Sólo EE.UU. y Canadá

BOSTITCH Fastening Systems ("BOSTITCH") garantiza al comprador del comerciante original que el producto comprado está exento de defectos en material y fabricación, y se compromete a reparar o reemplazar, a opción de BOSTITCH, cualquier engrapadora o clavadora neumática defectuosa de marca BOSTITCH por un periodo de siete (7) años desde la fecha de compra (un (1) año de la fecha de compra en el caso de compresores y herramientas utilizadas en aplicaciones de producción). La garantía no es transferible. Se requiere presentar evidencia de la fecha de compra. Esta garantía solamente cubre daños resultantes de defectos en material o fabricación, y no cubre condiciones o desperfectos resultantes del desgaste normal, negligencia, abuso, accidente o reparaciones intentadas o efectuadas por terceros ajenos a nuestro centro nacional de reparaciones o a los centros de servicio bajo garantía. Las aspas del impulsor, topes, juntas tóricas, pistones y aros de pistones se consideran componentes de desgaste normal. Para obtener el rendimiento óptimo de la herramienta BOSTITCH siempre use fijaciones y piezas de repuesto genuinas de BOSTITCH.

ESTA GARANTÍA SUSTITUYE TODA OTRA GARANTÍA, EXPRESA O IMPLÍCITA, INCLUIDAS ENTRE OTRAS, LAS GARANTÍAS IMPLÍCITAS DE COMERCIABILIDAD O IDONEIDAD PARA UN FIN PARTICULAR. BOSTITCH NO SERÁ RESPONSABLE DE DA—OS FORTUITOS O CONSECUENCIALES.

Algunos estados y países no permiten limitaciones a la duración de una garantía implícita ni la exclusión o limitación de daños fortuitos o consecuenciales, de modo que las limitaciones o exclusiones anteriores pueden no corresponder a su caso. Esta garantía le concede derechos legales específicos, y usted puede tener también otros derechos que varían de un estado a otro y de un país a otro.

Para obtener servicio bajo garantía en los EE.UU. devuelva el producto, junto con el comprobante de compra, al Centro de Servicio bajo Garantía Autorizado Independiente Nacional o Regional de BOSTITCH en los EE.UU. Dentro de los EE.UU. usted puede llamarnos al 1-800-556-6696 o visitar www.BOSTITCH.com para ver la ubicación que más le convenga. En Canadá llámenos al 1-800-567-7705 o visite www.BOSTITCH.com.

CONSERVE ESTAS INSTRUCCIONES

PAUTAS DE SEGURIDAD / DEFINICIONES

Este manual contiene información importante para que conozca y comprenda. Esta información está relacionada con la protección de SU SEGURIDAD y con EVITAR PROBLEMAS EN EL EQUIPO. Para ayudarlo a reconocer esta información, utilizaremos los símbolos siguientes. Lea el manual y preste atención a estos símbolos.

- ▲ PELIGRO:** Indica una situación de peligro inminente que, si no se evita, provocará la muerte o lesiones graves.
- ▲ ADVERTENCIA:** Indica una situación de peligro potencial que, si no se evita, podría provocar la muerte o lesiones graves.
- ▲ PRECAUCIÓN:** Indica una situación de peligro potencial que, si no se evita, puede provocar lesiones leves o moderadas.
- AVISO:** Indica una situación que, si no se evita, puede resultar en daños a los bienes.

INSTRUCCIONES DE SEGURIDAD

- ▲ ADVERTENCIA:** Al cargar, operar o dar servicio a esta herramienta, el operador y los demás presentes en el área de trabajo deben usar SIEMPRE PROTECCIÓN DE LOS OJOS en conformidad con las especificaciones ANSI y que proteja contra partículas que vuelen por DELANTE y por el LADO, cuando se haga la conexión al suministro de aire. Se exige protegerse la vista para resguardarse contra fijaciones o residuos que vuelen, lo cual puede causar lesiones graves a los ojos.



El empleador o el usuario deben asegurar que se protejan debidamente los ojos. El equipo de protección ocular debe estar en conformidad con los requisitos del Instituto Nacional Americano de Normas (American National Standards Institute), ANSI CAN/CSA Z89.3 y proteger por delante y por el costado. Los anteojos o máscaras sin protección lateral por sí solos no dan una protección adecuada.



En algunos ambientes se necesitará protección adicional de seguridad. Por ejemplo, el área de trabajo puede exponer a un nivel de ruido que lesione el oído. El empleador y el usuario deben comprobar que se cuente con la protección necesaria del oído y que el operador y los demás presentes en el área la usen. Algunos ambientes exigirán el uso de casco protector. Cuando sea necesario, el empleado y el usuario deben verificar que se proteja la cabeza en conformidad con la norma ANSI CAN/CSA Z89.1.

- ▲ ADVERTENCIA:** El Estado de California tiene conocimiento de que cierto polvo generado por el lijado eléctrico, el aserrado, el taladrado y otras actividades de construcción contiene componentes químicos que provocan cáncer, defectos en el nacimiento u otros daños reproductivos. Algunos ejemplos de estos componentes químicos son:

- plomo de pinturas a base de plomo,
- sílice cristalina de ladrillos, cemento y otros productos de mampostería
- arsénico y cromo de leños tratados químicamente.

El riesgo a estas exposiciones varía según la frecuencia con la que realiza este tipo de trabajo. Para reducir la exposición a estos componentes químicos: trabaje en un área bien ventilada y con el equipo de seguridad aprobado, como las mascarillas contra el polvo especialmente diseñadas para filtrar las partículas microscópicas.

SUMINISTRO DE AIRE Y CONEXIONES

- ▲ ADVERTENCIA:** No use oxígeno, gases combustibles ni gases envasados en cilindros para operar esta herramienta porque puede explotar, causando posibles lesiones.
- ▲ ADVERTENCIA:** No use fuentes de suministro que tengan el potencial de superar 14 kg/cm² (200 P.S.I.G.) dado que la herramienta puede explotar, causando posibles lesiones.
- ▲ ADVERTENCIA:** El conector de la herramienta no debe contener presión cuando se desconecte el suministro de aire. Si se usa el conector indebido, la herramienta puede mantenerse cargada con aire después de desconectarla y podría impulsar una fijación incluso después de desconectar la línea de aire, causando posibles lesiones.
- ▲ ADVERTENCIA:** No accione el gatillo ni oprima el brazo de contacto mientras esté conectado al suministro de aire porque la herramienta puede hacer un ciclo, causando posibles lesiones.
- ▲ ADVERTENCIA:** Siempre desconecte el suministro de aire: 1.) Antes de hacer ajustes; 2.) Al dar servicio a la herramienta; 3.) Al despejar un atasco; 4.) Cuando no está en uso la herramienta; 5.) Al avanzar a otra área de trabajo, porque puede activarse accidentalmente, causando posibles lesiones.

CARGA DE LA HERRAMIENTA

- ADVERTENCIA:** Al cargar la herramienta: 1.) Nunca ponga la mano ni ninguna otra parte del cuerpo en el área aplicadora de descarga de la herramienta; 2.) Nunca apunte la herramienta a ninguna persona; 3.) No accione el gatillo ni pulse el disparador porque puede activarse accidentalmente, causando posibles lesiones.

FUNCIONAMIENTO

- AVISO:** Esta herramienta funciona de manera diferente a todas las demás herramientas de BOSTITCH. Para proporcionar una máxima visibilidad para una colocación precisa de la fijación, el disparador de esta herramienta está normalmente en la posición "sin presionar" o hacia "arriba". En todas las demás herramientas de BOSTITCH y en la mayoría de las otras herramientas, el disparador normalmente está en la posición hacia "abajo".

Esta herramienta cuenta con un modo de activación seleccionable que determina si la herramienta coloca las fijaciones en modo secuencial o de contacto. En el modo de disparo secuencial, cuando la punta se coloca en la superficie de trabajo y se acciona el gatillo, el disparador se separa de la herramienta para detectar la superficie de trabajo. La punta de la herramienta debe estar en contacto con la superficie de trabajo para accionarse. Si el disparador no detecta la superficie de trabajo lo suficientemente cerca de la punta de la herramienta, la herramienta no se accionará.

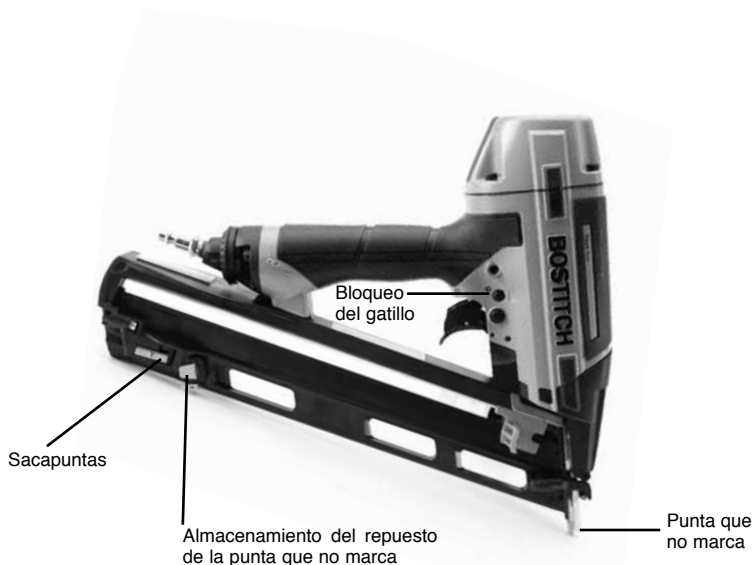
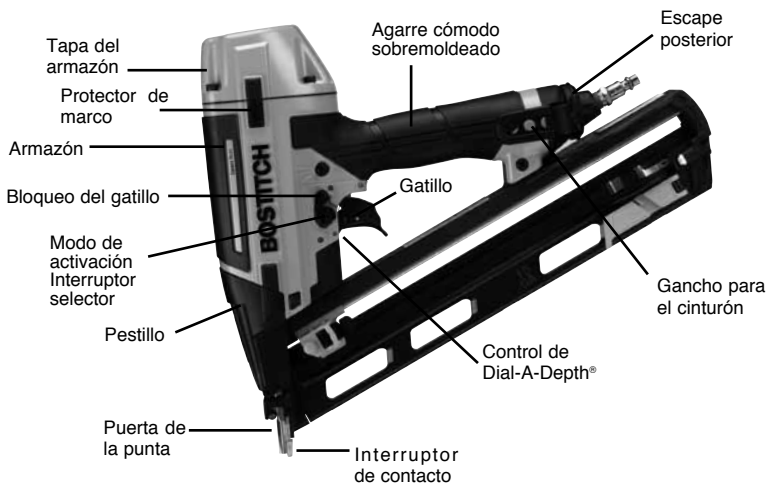
En el modo de disparo de contacto, cuando se mantiene oprimido el gatillo, el disparador se aleja de la herramienta. En el momento en que la superficie de trabajo entra en contacto con la punta de la herramienta, se accionará el mecanismo del disparador, aplicando una fijación cada vez que se establece contacto con la superficie de trabajo.

- ADVERTENCIA:** Siempre maneje la herramienta con cuidado: 1.) Nunca participe en juegos rudos; 2.) Nunca accione el gatillo a menos que la punta esté dirigida hacia el trabajo; 3.) Mantenga a los demás a una distancia segura de la herramienta mientras esté en funcionamiento porque puede activarse accidentalmente, causando posibles lesiones.
- ADVERTENCIA:** El operador no debe sostener el gatillo accionado en las herramientas con brazos de contacto salvo durante la aplicación de fijaciones ya que pueden ocurrir lesiones graves si el disparo tomara contacto accidentalmente con algo o alguien, ocasionando que la herramienta haga un ciclo.
- ADVERTENCIA:** Mantenga las manos y el cuerpo alejados del área de descarga de la herramienta. Una herramienta con brazo de contacto puede rebotar al aplicar una fijación haciendo salir otra, causando posibles lesiones.
- ADVERTENCIA:** Revise frecuentemente el funcionamiento del mecanismo del brazo de contacto. No use la herramienta si el brazo no funciona correctamente ya que puede impulsarse accidentalmente una fijación. No interfiera con el funcionamiento adecuado del mecanismo del brazo de contacto.
- ADVERTENCIA:** No aplique clavos o grapas encima de otras ni con la herramienta en un ángulo demasiado agudo pues esto puede ocasionar su deflexión, pudiendo causar lesiones.
- ADVERTENCIA:** No aplique grapas cerca del borde de la pieza con la cual esté trabajando pues la madera puede dividirse, permitiendo la deflexión del clavo o grapa, causando posibles lesiones.
- ADVERTENCIA:** Esta clavadora produce CHISPAS durante la operación. NUNCA use la clavadora cerca de sustancias, gases ni vapores inflamables, incluidos lacas, pintura, bencina, gasolina, adhesivos, mástique, pegamentos ni ningún otro material que sea inflamable, combustible o explosivo -- o vapores, emanaciones o subproductos que puedan serlo. Si se usa la clavadora en cualquier ambiente de este tipo podría causar una EXPLOSIÓN produciendo lesiones físicas o fatales para el usuario y las personas en la cercanía.

MANTENIMIENTO DE LA HERRAMIENTA

- ADVERTENCIA:** Si la herramienta se ha caído o si sospecha daño a la herramienta, realice una comprobación de funcionamiento de la herramienta tal como se define en la sección de comprobación de funcionamiento de la herramienta.
- ADVERTENCIA:** Al trabajar con herramientas neumáticas, observe las advertencias de este manual y tenga sumo cuidado al evaluar herramientas con problemas.

COMPONENTES DE LA HERRAMIENTA



ESPECIFICACIONES DE LA HERRAMIENTA

Todas las dimensiones están en pulgadas a menos que se especifique lo contrario.

	BTFP72155	BTFP72156
Descripción	Clavadora con acabado angular de estilo de calibre 15 "DA"	Clavadora con acabado angular de estilo de calibre 15 "FN"
Tipo de motor	LIBRE DE ACEITE	LIBRE DE ACEITE
Rango de presión operativa	4.9 to 8.43kg/cm ² (70-120 PSI)	4.9 to 8.43kg/cm ² (70-120 PSI)
Máxima presión operativa	8.43 kg/cm ² (120 PSI)	8.43 kg/cm ² (120 PSI)
Tipo de fijación	Serie DA15	Serie FN15
Calibre de la fijación	15 Gauge	15 Gauge
Gama de la fijación	31mm - 63mm (1-1/4" - 2-1/2")	31mm - 63mm (1-1/4" - 2-1/2")
Capacidad del depósito	100	129
Largo	325mm (12.8")	363mm (14.3")
Ancho	97mm (3.8")	97mm (3.8")
Altura	307mm (12.1")	307mm (12.1")
Peso	4,22lbs (1,9kg)	4,32lbs (2,0kg)

Presión operativa:

4.9 a 8.43 kg/cm² (70 a 120 p.s.i.g.). Seleccione la presión operativa dentro de esta gama para lograr el óptimo rendimiento de las fijaciones.

NO SUPERE ESTA PRESIÓN OPERATIVA RECOMENDADA.



Consumo de aire:

El modelo BTFP72155 requiere 1,8 pies cúbicos por minuto o C.F.M. (51,0 litros por minuto o LT/MIN) de aire libre a 80 PSI (5,6 kg/cm²) para operar a una velocidad de 60 sujetadores por minuto. El modelo BTFP72156 requiere 1,9 pies cúbicos por minuto o C.F.M. (53,8 litros por minuto o LT/MIN) de aire libre a 80 PSI (5,6 kg/cm²) para operar a una velocidad de 60 sujetadores por minuto.

Para determinar el tamaño adecuado del compresor de aire, tome la velocidad real en la cual se utilizará la herramienta y compárela con los C.F.M. (LT/MIN) requeridos para la entrega de aire libre de los compresores (C.F.M./ LT/MIN) a 80 PSI (5,6 kg/cm²).

Por ejemplo, si el uso del sujetador es de 30 sujetadores por minuto en promedio, necesita 50% del C.F.M. requerido de la herramienta para operarla a una velocidad de 60 sujetadores por minuto. En este caso, asegúrese de que su compresor de aire pueda ofrecer un mínimo de 0,9 C.F.M. (25,5 LT/MIN) a 80 PSI (5,6 kg/cm²) para un rendimiento óptimo del modelo BTFP72155.

ESPECIFICACIONES DE FIJACIONES

Modelo de herramienta	Tipo de fijación	SKU de la fijación	Ancho de corona	Calibre	Largo
BTFP72155	 Clavos de acabado	DA1520	N/A	15	32mm (1-1/4")
		DA1524	N/A	15	38mm (1-1/2")
		DA1532	N/A	15	50mm (2")
		DA1540	N/A	15	63mm (2-1/2")
BTFP72156	 Clavos de acabado	FN1520	N/A	15	32mm (1-1/4")
		FN1524	N/A	15	38mm (1-1/2")
		FN1528	N/A	15	45mm (1-3/4")
		FN1532	N/A	15	50mm (2")
		FN1536	N/A	15	57mm (2-1/4")
		FN1540	N/A	15	63mm (2-1/2")

* También se ofrecen fijaciones de acero inoxidable en ciertos tamaños. Visite www.BOSTITCH.com para saber más detalles.

NOTA:

Las herramientas BOSTITCH se han diseñado para brindar una satisfacción excelente al cliente y lograr máximo rendimiento al utilizarse con fijaciones de precisión BOSTITCH diseñadas con las mismas normas estrictas. **BOSTITCH no puede asumir responsabilidad alguna por el rendimiento del producto si se utilizan nuestras herramientas con fijaciones o accesorios que no reúnen los requisitos específicos establecidos para fijaciones y accesorios genuinos de BOSTITCH.**

SUMINISTRO DE AIRE Y CONEXIONES

⚠ ADVERTENCIA: No use oxígeno, gases combustibles ni gases envasados en cilindros para operar esta herramienta porque puede explotar, causando posibles lesiones.

CONECTORES:

Instale un enchufe macho en la herramienta que está fluyendo libremente y que liberará presión de aire de la herramienta al desconectarse de la fuente de alimentación.

MANGUERAS:

Las mangueras de aire deben tener una presión nominal de trabajo mínima de 10.6 kg/cm² (150 p.s.i.) de capacidad nominal de presión de trabajo o un 150 por ciento de la presión máxima que podría producirse en el sistema de aire. La manguera de suministro debe contar con un conector de "desconexión rápida" del enchufe macho en la herramienta.

FUENTE DE SUMINISTRO:

Use solamente aire comprimido regulado limpio como fuente de energía para esta herramienta. **NUNCA USE OXÍGENO, GASES COMBUSTIBLES O GASES ENVASADOS EN CILINDROS COMO FUENTE DE ENERGÍA PARA ESTA HERRAMIENTA, PUES LA HERRAMIENTA PUEDE EXPLOTAR.**

REGULADOR:

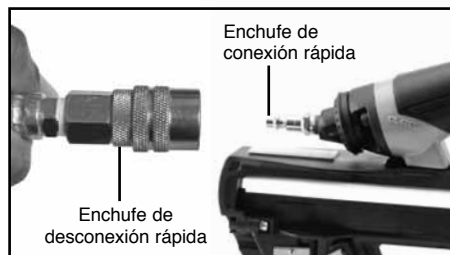
Se necesita un regulador de presión con una presión operativa de 0 - 8.79 kg/cm² (0 - 125 p.s.i.) para controlar la presión operativa con el fin de que la herramienta funcione en forma segura. No conecte esta herramienta a la presión de aire que potencialmente pueda superar 14 kg/cm² (200 p.s.i.) porque la herramienta puede fracturarse o explotar, causando posibles lesiones.

PRESIÓN OPERATIVA:

No supere la presión operativa máxima recomendada porque aumentará considerablemente el desgaste de la herramienta. El suministro de aire debe ser capaz de mantener la presión operativa de la herramienta. Las caídas de presión en el suministro de aire pueden reducir la energía impulsora de la herramienta. Consulte las "ESPECIFICACIONES DE LA HERRAMIENTA" para establecer la presión operativa correcta de la herramienta.

FILTRO:

La suciedad y el agua en el suministro de aire son las causas principales de desgaste en las herramientas neumáticas. Resultará útil un filtro para obtener el mejor rendimiento y minimizar el desgaste de la herramienta. El filtro debe tener una capacidad de flujo adecuada para la instalación específica. El filtro debe mantenerse limpio para ser eficaz en el suministro de aire comprimido limpio a la herramienta. Consulte las instrucciones del fabricante para ver el mantenimiento adecuado del filtro. Si el filtro está sucio y obstruido ocasionará una caída de presión que a su vez reduce el rendimiento de la herramienta.



CARGA DE LA HERRAMIENTA

ADVERTENCIA:



El operador y otros en el área SIEMPRE deben llevar PROTECCIÓN OCULAR en conformidad con las especificaciones ANSI y que proteja contra partículas que vuelen por DELANTE y por el LADO, cuando se haga la conexión al suministro de aire, así como al cargar, operar o dar servicio a esta herramienta. Se exige protegerse la vista para resguardarse contra fijaciones o residuos que vuelen, lo cual puede causar lesiones graves a los ojos.

El empleador o el usuario deben asegurar que se protejan debidamente los ojos. El equipo de protección ocular debe estar en conformidad con los requisitos del Instituto Nacional Americano de Normas (American National Standards Institute), ANSI Z87.1 y proteger por delante y por el costado. NOTA: Los anteojos o caretas sin protección lateral por sí solos no dan una protección adecuada.

ADVERTENCIA:

PARA PREVENIR LESIONES ACCIDENTALES:

- Nunca coloque la mano ni ninguna parte del cuerpo en el área de descarga de clavos de la herramienta mientras esté conectado el suministro de aire.
- Nunca apunte la herramienta hacia una persona.
- Nunca participe en juegos rudos.
- Nunca accione el gatillo a menos que la punta esté dirigida hacia el trabajo.
- Siempre maneje la herramienta con cuidado.
- No accione el gatillo ni oprima el mecanismo de disparo mientras carga la herramienta.

CARGA DEL BTFP72155/BTFP72156

Las clavadoras BTFP72155/BTFP72156 están equipadas con cargadores de doble propósito. Los clavos se pueden cargar mediante cualquiera de los métodos

CARGA Y EXTRACCIÓN DEL IMPULSOR

1. Cargue los clavos a través de la ranura de la parte trasera del cargador, pasando el precinto de retención.
2. Tire del impulsor hacia atrás del palillo del clavo y suelte.
3. Asegúrese de que el impulsor del cargador se encuentre detrás del palillo del último clavo.
4. Limpie el cargador con aire periódicamente para mantener el impulsor moviéndose suavemente y mantener el polvo y la suciedad fuera del canal de los clavos.



TIRE DEL IMPULSOR PARA VOLVER A BLOQUEAR Y CARGAR

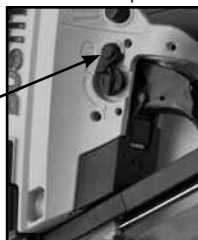
1. Tire del impulsor hacia atrás hasta que se bloquee en el extremo del cargador.
2. Cargue los clavos a través de la ranura de la parte trasera del cargador hasta pasar el precinto de retención.
3. Presione el botón del impulsor para soltar y permita que el impulsor empuje los clavos desde atrás.
4. Limpie el cargador con aire periódicamente para mantener el impulsor moviéndose suavemente y mantener el polvo y la suciedad fuera del canal de los clavos.

CONTROL DE BLOQUEO DEL GATILLO



La función de control de bloqueo del gatillo en las herramientas neumáticas de BOSTITCH proporciona una característica que bloquea el gatillo para dar mayor control de seguridad. Pulse el botón de control de bloqueo hacia dentro o afuera para activar o bloquear el gatillo de la herramienta.

Botón de Control de Bloqueo del Gatillo



MODO DE FUNCIONAMIENTO DEL DISPARADOR

ADVERTENCIA: Siempre desconecte el suministro de aire antes de hacer ajustes porque puede activarse la unidad casualmente, causando posibles lesiones.

Los modelos BTFP72155/BTFP72156 tienen un sistema de gatillo seleccionable que permite al usuario elegir entre los siguientes modos de funcionamiento:

1. Funcionamiento con disparo de contacto
2. Funcionamiento con disparo secuencial

1. DISPARO DE CONTACTO:

El procedimiento operativo común en las herramientas con "Disparo de contacto" es que el operador tome contacto con la superficie de trabajo para activar el mecanismo disparador manteniendo el gatillo accionado, aplicando así cada fijación cuando se toma contacto con la superficie. Esto permitirá colocar fijaciones rápidamente en muchos trabajos. Todas las herramientas neumáticas pueden rebotar al aplicar fijaciones. La herramienta puede rebotar, liberando el disparador, y si se le permite involuntariamente tomar contacto con la superficie nuevamente con el gatillo todavía accionado (estando el dedo todavía sujetando el gatillo) saldrá otra fijación.

2. DISPARO SECUENCIAL:

El disparo secuencial exige que el operador sostenga la herramienta contra la superficie de trabajo antes de accionar el gatillo. Esto facilita la colocación de fijaciones en forma precisa. El disparo secuencial permite la ubicación exacta de fijaciones sin posibilidad de aplicar otro al rebotar, como se describe en "Disparo de contacto". La herramienta de disparo secuencia tiene una ventaja positiva porque no aplica accidentalmente una fijación si la herramienta toma contacto con la superficie de trabajo, o con otra cosa, mientras el operador mantiene el gatillo accionado.

SELECCIÓN DEL MODO DE DISPARO:

Para garantizar la seguridad, el usuario debe bloquear el gatillo (según se describe arriba) antes de cambiar el sistema de gatillo. Para cambiar el modo de disparo, gire el interruptor de modo hacia el cuerpo de la herramienta. El botón de modo automáticamente se bloqueará cuando la flecha apunte hacia el icono de 3 clavos estampado en el marco de la herramienta (Modo de interruptor de contacto) o hacia el icono de un solo clavo estampado en el marco de la herramienta (Modo de interruptor en secuencia). Desbloquee el gatillo para reanudar la operación de la herramienta.



Modo de disparo secuencial

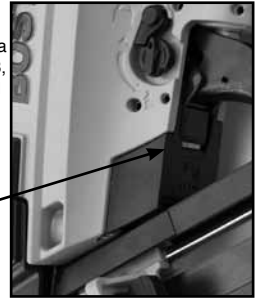
(interruptor selector del modo de disparo apuntando hacia arriba)

Modo de disparo de contacto

(interruptor selector del modo de disparo apuntando hacia abajo)

AJUSTE DE CONTROL DE FIJACIONES DIAL-A-DEPTH®

La característica de ajuste de control de fijaciones DIAL-A-DEPTH® aporta un control más exacto de la profundidad de impulso: desde al ras con la superficie de trabajo hasta avellanado leve o profundo. Primero establezca la presión de aire para la aplicación uniforme según el trabajo específico como se describe en la página 23, luego use el ajuste de control de fijaciones DIAL-A-DEPTH® para dar la profundidad deseada a la aplicación.



Ajuste de control de fijaciones Dial-A-Depth®

ADEMÁS DE LAS OTRAS ADVERTENCIAS CONTENIDAS EN ESTE MANUAL, OBSERVE LO SIGUIENTE PARA UNA OPERACIÓN SEGURA

- Use la herramienta neumática BOSTITCH solamente para el fin que fue diseñada.
- Nunca use esta herramienta de tal modo que pueda causar la salida de una fijación hacia el usuario u otros presentes en el área de trabajo.
- No use la herramienta como martillo.
- Siempre lleve la herramienta tomándola por la empuñadura. Nunca lleve la herramienta tomándola por la manguera de aire.
- No altere ni modifique el diseño o función original de esta herramienta sin la aprobación de BOSTITCH.
- Siempre tenga presente que el uso indebido o la manipulación incorrecta de esta herramienta puede causar lesiones a usted y a los demás.
- Nunca use abrazaderas ni cinta para bloquear el gatillo o el disparo de contacto en la posición activada.
- Nunca deje una herramienta sin supervisión con la manguera de aire conectada.
- No opere esta herramienta si no cuenta con una ETIQUETA DE ADVERTENCIA legible.
- Deje de usar la herramienta si tiene fugas de aire o no funciona bien. Notifique al representante más cercano de BOSTITCH si la herramienta continúa experimentando problemas funcionales.

GANCHO PARA EL CINTURÓN

⚠ ADVERTENCIA: Desconecte siempre la herramienta del suministro de aire antes de hacer ajustes o de intentar armar o desarmar piezas.

⚠ AVISO: No se puede extraer el gancho del cinturón.



SOPLADOR DE AIRE INTEGRADO

⚠ ADVERTENCIA: NUNCA sople los residuos hacia usted u otras personas en el área de trabajo.

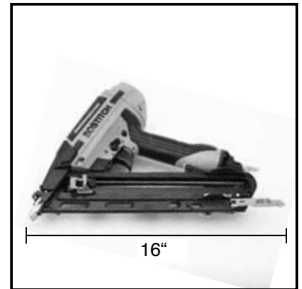
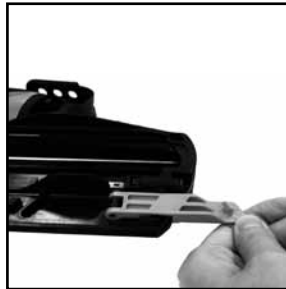
Los modelos BTFP72155 y BTFP72156 tienen un soplador neumático integrado que ayuda a limpiar el polvo al trabajar. Presione el botón del soplador integrado. El aire comprimido se eyectará desde el frente de la herramienta. Suelte el botón para dejar de soplar aire.



CALIBRE DE 16" OC

El calibre de 16" OC ayuda a indicar la ubicación del pasador.

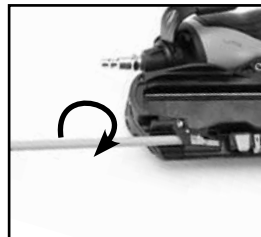
1. Tire hacia arriba el calibre OC para girarlo hacia el lado opuesto.
2. Presione el calibre OC para que encaje en el cargador.
3. Las 16 pulgadas se miden desde la punta hasta la punta del calibre OC para ayudar a encontrar el pasador.



Los modelos BTFP72155 y BTFP72156 incluyen un gancho integrado para el cinturón y puede rotarse a ambos lados de la herramienta para usuarios diestros o zurdos. También puede rotarse para sacarlo del camino cuando no se utiliza.

USO DEL SACAPUNTAS INTEGRADO

Para la comodidad del operador, el cargador tiene integrado un sacapuntas estándar. Para afilar un lápiz, inserte cualquier lápiz estándar en el orificio y gírelo hacia la derecha (en el sentido de las agujas del reloj).



FUNCIONAMIENTO DE LA HERRAMIENTA



El operador y otros en el área SIEMPRE deben llevar PROTECCIÓN OCULAR en conformidad con las especificaciones ANSI y que proteja contra partículas que vuelen por DELANTE y por el LADO, cuando se haga la conexión al suministro de aire, así como al cargar, operar o dar servicio a esta herramienta. Se exige protegerse la vista para resguardarse contra fijaciones o residuos que vuelen, lo cual puede causar lesiones graves a los ojos.

ADVERTENCIA:

El empleador o el usuario deben asegurar que se protejan debidamente los ojos. El equipo de protección ocular debe estar en conformidad con los requisitos del Instituto Nacional Americano de Normas (American National Standards Institute), ANSI Z87.1 y proteger por delante y por el costado. NOTA: Los anteojos o caretas sin protección lateral por sí solos no dan una protección adecuada.

ANTES DE MANIPULAR U OPERAR ESTA HERRAMIENTA:

- I. LEA DETALLADAMENTE LAS ADVERTENCIAS CONTENIDAS EN ESTE MANUAL.
- II. CONSULTE LAS "ESPECIFICACIONES DE LA HERRAMIENTA" EN ESTE MANUAL PARA IDENTIFICAR EL SISTEMA OPERATIVO DE LA HERRAMIENTA.

FUNCIONAMIENTO

1. FUNCIONAMIENTO DEL DISPARO DE CONTACTO:

La herramienta CON DISPARO DE CONTACTO cuenta con un disparo de contacto que funciona en conjunto con el gatillo para impulsar una fijación. Hay dos métodos para aplicar fijaciones al usar una herramienta con disparo de contacto.

- A. COLOCACIÓN DE UNA SOLA FIJACIÓN: Para usar la herramienta de esta manera, primero coloque el disparo de contacto sobre la superficie de trabajo SIN ACCIONAR EL GATILLO. Sostenga la punta contra la superficie de trabajo y luego accione el gatillo para aplicar un sujetador. No presione la herramienta contra el trabajo con más fuerza. En cambio, deje que la herramienta se separe de la superficie de trabajo para evitar que salga otro clavo. Quite el dedo del gatillo después de cada operación.
- B. APLICACIÓN RÁPIDA DE FIJACIONES: Para usar la herramienta de esta manera, sosténgala con el disparo de contacto apuntando hacia la superficie de trabajo sin tocarla. Accione el gatillo y luego golpee el disparo de contacto contra la superficie de trabajo usando un movimiento de rebote. Cada vez que se presione el disparo de contacto saldrá una fijación.

ADVERTENCIA:

El operador no debe sostener el gatillo accionado en las herramientas con disparo de contacto salvo durante la aplicación de fijaciones ya que pueden ocurrir lesiones graves si el disparador tomara contacto accidentalmente con algo o alguien, ocasionando que la herramienta haga un ciclo.

ADVERTENCIA:

Mantenga las manos y el cuerpo alejados del área de descarga de la herramienta. Una herramienta con disparo de contacto puede rebotar al aplicar una fijación haciendo salir otra, causando posibles lesiones.

2. FUNCIONAMIENTO DEL DISPARO SECUENCIAL:

En el MODO DE DISPARO SECUENCIAL el disparo de contacto funciona en conjunto con el gatillo para impulsar una fijación. Para usar una herramienta con disparo secuencial, primero coloque el disparo de contacto sobre la superficie de trabajo SIN ACCIONAR EL GATILLO. Sostenga la punta contra la superficie de trabajo y luego accione el gatillo para aplicar un sujetador. Siempre y cuando el disparo de contacto toque el trabajo y se mantenga oprimido, la herramienta aplicará una fijación cada vez que se oprima el gatillo. Si se deja que el disparo de contacto se separe de la superficie de trabajo, debe repetirse la secuencia descrita más arriba para colocar otra fijación.

AVISO:

Esta herramienta funciona de manera diferente a todas las demás herramientas de BOSTITCH. Para proporcionar una máxima visibilidad para una colocación precisa de la fijación, el disparador de esta herramienta está normalmente en la posición "sin presionar" o hacia "arriba". En todas las demás herramientas de BOSTITCH y en la mayoría de las otras herramientas, el disparador normalmente está en la posición hacia "abajo".

Esta herramienta cuenta con un modo de activación seleccionable que determina si la herramienta coloca las fijaciones en modo secuencial o de contacto. En el modo de disparo secuencial, cuando la punta se coloca en la superficie de trabajo y se acciona el gatillo, el disparador se separa de la herramienta para detectar la superficie de trabajo. La punta de la herramienta debe estar en contacto con la superficie de trabajo para accionarse. Si el disparador no detecta la superficie de trabajo lo suficientemente cerca de la punta de la herramienta, la herramienta no se accionará.

ADVERTENCIA:

En el modo de disparo de contacto, cuando se mantiene oprimido el gatillo, el disparador se aleja de la herramienta. En el momento en que la superficie de trabajo entra en contacto con la punta de la herramienta, se accionará el mecanismo del disparador, aplicando una fijación cada vez que se establece contacto con la superficie de trabajo.

Si la herramienta se ha caído o si sospecha daño a la herramienta, realice una comprobación de funcionamiento de la herramienta tal como se define en la sección de comprobación de funcionamiento de la herramienta.

PROCEDIMIENTO PARA DESPEJAR ATASCOS

⚠ ADVERTENCIA: Desconecte siempre la herramienta del suministro de aire antes de hacer ajustes o de intentar armar o desarmar piezas.

Ocasionalmente pueden atascarse clavos en la punta de una clavadora neumática. Esto puede producirse al golpear una placa de metal en la pared, un tornillo o algún otro objeto duro. El modelo BTFP72155/BTFP72156 cuenta con arquitectura de canal abierto para solucionar los atascamientos. Para despejar un atasco siga este procedimiento:

1. Desconecte la herramienta del suministro de aire.
2. Suelte el impulsor para que ya no aplique fuerza sobre los palillos de los clavos.
3. Abra la puerta para desobstruir atascamientos tirando del pestillo, primero hacia abajo y luego hacia arriba.
4. Retire el sujetador obstruido. En determinadas circunstancias, es posible que precise usar un par de alicates para retirar el sujetador.
5. Cierre el seguro de la puerta de la boquilla para eliminar obstrucciones.
6. Tire del impulsor de clavos hacia atrás debajo de los palillos de los clavos.
7. Realice una comprobación de funcionamiento de la herramienta.

DESPEJE DE ATASCOS EN LA BTFP72155/BTFP72156



REVISIÓN FUNCIONAL DE LA HERRAMIENTA

⚠ ADVERTENCIA: Retire todas las fijaciones de la herramienta antes de revisar cómo funciona.

⚠ ADVERTENCIA: Si la herramienta se ha caído o sospecha daño a la herramienta, realice una comprobación de funcionamiento de la herramienta.

1. FUNCIONAMIENTO DEL DISPARO DE CONTACTO:

- A. Con el dedo lejos del gatillo, presione el disparo de contacto contra la superficie de trabajo.
NO DEBE HACER UN CICLO LA HERRAMIENTA.
- B. Sostenga la herramienta sin tocar la superficie de trabajo y accione el gatillo.
NO DEBE HACER UN CICLO LA HERRAMIENTA.
- C. Con la herramienta sin tocar la superficie de trabajo, accione el gatillo. Presione el disparo de contacto contra la superficie de trabajo.
DEBE HACER UN CICLO LA HERRAMIENTA.
- D. Sin tocar el gatillo, presione el disparo de contacto contra la superficie de trabajo, luego accione el gatillo.
DEBE HACER UN CICLO LA HERRAMIENTA.

2. FUNCIONAMIENTO DEL DISPARO SECUENCIAL:

A. Presione el disparo de contacto contra la superficie de trabajo, sin tocar el gatillo.

NO DEBE HACER UN CICLO LA HERRAMIENTA.

B. Sostenga la herramienta sin tocar la superficie de trabajo y accione el gatillo.

NO DEBE HACER UN CICLO LA HERRAMIENTA.

C. Accione el gatillo y presione el disparo de contacto contra la superficie de trabajo.

NO DEBE HACER UN CICLO LA HERRAMIENTA.

D. Con el dedo lejos del gatillo, presione el disparo de contacto contra la superficie de trabajo.
Accione el gatillo.

DEBE HACER UN CICLO LA HERRAMIENTA.

MANTENIMIENTO DE LA HERRAMIENTA NEUMÁTICA

⚠ ADVERTENCIA: Al trabajar con herramientas neumáticas, observe las advertencias de este manual y tenga sumo cuidado al evaluar herramientas con problemas.

PIEZAS DE REPUESTO:

Al cambiar piezas, solamente use repuestos genuinos BOSTITCH. No use piezas modificadas.

PROCEDIMIENTO DE ENSAMBLAJE PARA LOS SELLOS:

Al reparar una herramienta, fíjese en que las piezas internas estén limpias y lubricadas. Use Parker "O"-LUBE, Magnalube u otro lubricante equivalente en todas las juntas tóricas. Cubra cada junta tórica con lubricante antes del ensamblaje.

PRESIÓN Y VOLUMEN DEL SUMINISTRO DE AIRE:

El volumen de aire es tan importante como la presión de aire. El volumen de aire suministrado a la herramienta puede ser inadecuado debido a accesorios y mangueras de tamaño inferior o por los efectos de suciedad y agua en el sistema. El flujo de aire restringido impedirá que la herramienta reciba un volumen de aire adecuado, aun cuando la lectura de presión sea alta. Los resultados serán funcionamiento lento, fijaciones mal dirigidas o menor potencia de impulso. Antes de evaluar los problemas de las herramientas según estos síntomas, inspeccione el suministro de aire desde la herramienta a la fuente de suministro en busca de conectores restrictivos, puntos bajos que tengan agua y cualquier otra cosa que impida el flujo del volumen completo de aire a la herramienta.

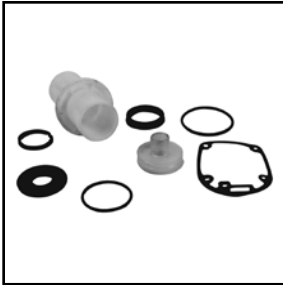
LISTA DE VERIFICACIÓN DE MANTENIMIENTO

Mantenimiento	Beneficio	Procedimiento	Intervalo de servicio
Inspeccione el funcionamiento del gatillo o disparador	Confirme que el sistema de disparo funcione bien	Consulte la sección Revisión funcional de la herramienta en este manual	Diariamente
Drene la condensación de los tanques y filtros de aire del compresor de aire diariamente o después de cada uso.	Previene la acumulación de humedad que puede impedir el buen rendimiento de la herramienta	Abra la llave de drenaje en los tanques y filtros de aire y drene todo el condensado	Diariamente
Limpie el ensamblaje del	Previene la acumulación de residuos que pudieran causar atascos	Limpie soplando con aire comprimido	Diariamente
Limpie a punta, la puerta y el área del brazo de contacto	Evita la acumulación de residuos que podrían causar atascamientos o averías	Limpie soplando con aire comprimido	Diariamente
Asegure que todas las fijaciones se mantengan apretadas	Prevenga las piezas sueltas	Apriete todas las fijaciones con la llave hexagonal del tamaño apropiado	Semanalmente
Revise/limpie el filtro de aire de la entrada de aire	Mantiene el flujo de aire correcto al motor para lograr óptimo rendimiento.	Retire la tapa del extremo y use la pistola de aire comprimido para soplar el filtro y dejarlo limpio. Reemplace el filtro según se requiera.	25,000 fijaciones o Mensualmente - si se utiliza en lugares polvorientos
Reemplace la punta que no marca	Previene marcas en trabajo con madera blanda	Retire la punta que no marca si está desgastada y cámbiela por otra nueva (hay una punta de repuesto en el depósito)	25,000 fijaciones
Reemplace el ensamblaje de pistón/impulsor	Mantiene la calidad constante de impulso	Remítase a las instrucciones del paquete de piezas de repuesto	150,000 fijaciones
Cambie las juntas tóricas	Mantiene el motor para lograr óptimo rendimiento	Remítase a las instrucciones del paquete de piezas de repuesto	250,000 fijaciones
Cambie el tope	Mantiene el motor para lograr óptimo rendimiento	Remítase a las instrucciones del paquete de piezas de repuesto	250,000 fijaciones
Cambie la válvula cabezal	Mantiene el motor para lograr óptimo rendimiento	Remítase a las instrucciones del paquete de piezas de repuesto	250,000 fijaciones
Reemplace el cilindro del motor	Mantiene el motor para lograr óptimo rendimiento	Remítase a las instrucciones del paquete de piezas de repuesto	500,000 fijaciones

SOLUCIÓN DE PROBLEMAS

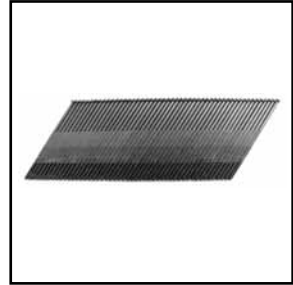
PROBLEMA	CAUSA	CORRECCIÓN
El alojamiento de la válvula de disparo tiene fuga de aire	La junta tórica está cortada o agrietada.	Cambie la junta tórica
El vástago de la válvula de disparo tiene fuga de aire	La junta tórica o los sellos están cortados o agrietados	Cambie el ensamblaje de la válvula de disparo
El armazón o la punta tiene fuga de aire	La junta tórica o la empaquetadura está cortada o agrietada El tope está agrietado o desgastado	Cambie la junta tórica o la empaquetadura Cambie el tope
El armazón o la tapa tiene fuga de aire	La empaquetadura o el sello está dañado La válvula cabezal está agrietada o desgastada Los tornillos de casquete están sueltos	Cambie la empaquetadura o el sello Reemplace la válvula cabezal Apriete y revise los de nuevo
No hace ciclos	El suministro de aire está restringido La válvula cabezal está desgastada El resorte en la tapa del cilindro está roto La válvula cabezal está pegada en la tapa.	Revise el equipo de suministro de aire Reemplace la válvula cabezal Cambie el resorte de la tapa del cilindro Desarme / Revise/ Lubrique lo necesario
No puede completar un ciclo	Residuos en la punta, la puerta o el área del brazo de contacto.	Limpie a punta, la puerta y el área del brazo de contacto
Falta alimentación; el ciclo es lento	El resorte en la tapa del cilindro está roto Las juntas tóricas o los sellos están cortados o agrietados Escape bloqueado El ensamblaje del gatillo está desgastado o tiene fugas Hay acumulación de suciedad o alquitrán El manguito del cilindro no está asentado correctamente en el tope inferior La presión de aire está demasiado baja Filtro de aire obstruido	Cambie el resorte de la tapa Cambie las juntas tóricas o los sellos Revise el tope, el resorte de la válvula cabezal Cambie el ensamblaje del gatillo Desarme la punta o el impulsor para limpiar en el impulsor Desármelo para corregir esto Revise el equipo de suministro de aire Limpíelo o reemplácelo
Se saltan las fijaciones; alimentación intermitente	El tope está desgastado. Residuos en la punta, la puerta o el área del brazo de contacto. Restricción de aire/flujo indebido de aire a través del enchufe y la toma de desconexión rápida Está desgastado el anillo del pistón. El resorte de empuje está dañado Hay baja presión de aire Los tornillos en la punta del depósito están sueltos Las fijaciones son demasiado cortas para Hay fijaciones dobladas. Las fijaciones son del tamaño incorrecto. La empaquetadura de la tapa cabezal tiene fugas La junta tórica de la válvula de disparo está cortada o desgastada El impulsor está roto o picado. El depósito está seco o sucio El depósito está desgastado Filtro de aire obstruido	Cambie el tope Limpie a punta, la puerta y el área del brazo de contacto Cambie los accesorios de desconexión rápida Cambie el anillo, revise el impulsor Cambie el resorte Revise el sistema de suministro de aire a la herramienta Apriete todos los tornillos Use solamente las fijaciones recomendadas la herramienta Deje de usar estas fijaciones Use solamente las fijaciones recomendadas Apriete los tornillos o cambie la empaquetadura Cambie la junta tórica Cambie el impulsor (revise el anillo del pistón) Limpie/lubrique con Lubricante para herramientas neumáticas BOSTITCH Cambie el depósito Limpíelo o reemplácelo
Se atascan las fijaciones en la herramienta	El canal del impulsor está desgastado Las fijaciones son del tamaño incorrecto. Hay fijaciones dobladas. Hay tornillos sueltos en el depósito o la punta El impulsor está roto o picado.	Cambie la punta, revise la puerta Use solamente las fijaciones recomendadas Deje de usar estas fijaciones Apriete todos los tornillos Cambie el impulsor

ACCESORIOS DISPONIBLES



N62FNB-RK
PAQUETE DE
RECONSTRUCCIÓN -
BTFP72156

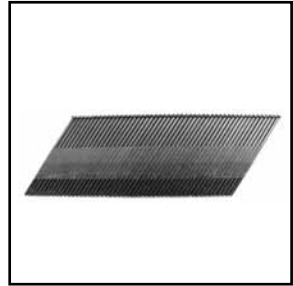
DA1564K-RK
PAQUETE DE
RECONSTRUCCIÓN -
BTFP72155



SERIE DA
CLAVOS NEUMÁTICOS
ANGULADOS DE CALIBRE
15 DISPONIBLE EN BRITE



TVA #17
JUEGO DE VÁLVULA DE
IMPULSIÓN- BTFP72155 &
BTFP72156



SERIE FN
CLAVOS NEUMÁTICOS
ANGULADOS DE CALIBRE
15 DISPONIBLE EN BRITE O
ACERO INOXIDABLE

INTRODUCTION

Les outils BTFP72155 et BTFP72156 de BOSTITCH sont des outils de précision conçus pour la pose d'attaches à haute vitesse et à haut volume. Ces outils vous donneront un rendement efficace et fiable lorsqu'utilisés correctement et avec soin. Comme pour tout bon outil électrique, il est important de suivre les instructions du fabricant pour une performance optimale. Veuillez étudier ce manuel avant d'utiliser l'outil et comprendre les avertissements et les mises en garde de sécurité. Les instructions d'installation, du fonctionnement et de l'entretien doivent être lues attentivement et les manuels doivent être conservés pour référence. **REMARQUE** : Des mesures de sécurité additionnelles peuvent être requises en fonction de l'utilisation que vous faites de l'outil. Communiquez avec votre représentant ou distributeur BOSTITCH pour toute question au sujet de cet outil et de son utilisation. BOSTITCH Fastening Systems, 701 E. Joppa Road, Towson, Maryland 21286, U.S. & Canada Only, É.-U. et Canada seulement.

INDEX

Consignes de sécurité	31
Composants de l'outil	33
Spécifications de l'outil	34
Alimentation d'air et connexions	35
Chargement de l'outil	36
Commande de blocage de gâchette	36
Dial-A-Depth®	38
Installation du crochet de ceinture	38
Fonctionnement de l'outil	39
Procédure pour le dégagement des blocages	40
Entretien de l'outil pneumatique	41
Dépannage	43
Accessoires disponibles	44

REMARQUE :

Les outils BOSTITCH ont été fabriqués afin d'offrir un degré de satisfaction de la clientèle très élevé et sont conçus pour atteindre une performance maximale lorsqu'utilisés avec les attaches BOSTITCH de précision fabriquées avec les mêmes normes élevées. **BOSTITCH ne peut être tenu responsable de la performance du produit si les outils sont utilisés avec des attaches ou des accessoires ne répondant pas strictement aux exigences établies pour les outils, agrafes et accessoires d'origine BOSTITCH.**



GARANTIE LIMITÉE – É.-U. et Canada seulement

BOSTITCH Fastening Systems ("BOSTITCH") garantit à l'acheteur d'origine au détail que ce produit est exempt de tout défaut de matériaux et de fabrication et accepte, le cas échéant, de réparer ou de remplacer, à la discrétion de BOSTITCH, toute agrafeuse ou cloueuse de marque BOSTITCH défectueuse pour une période de sept (7) ans à partir de la date d'achat (1 (un) an à partir de la date d'achat pour les compresseurs et les outils utilisés dans des applications de production). Cette garantie n'est pas cessible. Une preuve de la date d'achat est requise. Cette garantie couvre uniquement les dommages résultant de défaut de matériaux et de fabrication, et ne couvre pas les conditions ou défauts de fonctionnement résultant d'une usure normale, d'une négligence, d'un usage abusif, d'un accident, d'une réparation ou d'une tentative de réparation par une entité autre que notre Centre de réparation national ou l'un de nos Centres de service de garantie autorisé. Les lames du mandrin, les amortisseurs, les joints toriques, les pistons et les garnitures de piston sont considérés comme des pièces normales d'usure. Pour une performance optimale de votre outil BOSTITCH, utilisez toujours des attaches et des pièces de rechange BOSTITCH d'origine.

CETTE GARANTIE REMPLACE TOUTE AUTRE GARANTIE, IMPLICITE OU EXPLICITE, COMPRENANT, MAIS SANS S'Y LIMITER, LES GARANTIES IMPLICITES DE COMMERCIALISATION OU D'ADAPTATION À UN USAGE PARTICULIER. BOSTITCH NE SERA PAS TENUE RESPONSABLE DES DOMMAGES INDIRECTS OU ACCESSOIRES.

Les limitations imposées par la durée d'une garantie implicite ou l'exclusion des dommages accessoires ou indirects n'étant pas reconnues dans certains États et pays, les limitations ou exclusions précitées peuvent ne pas vous être adressées. Cette garantie vous confère des droits juridiques spécifiques qui s'ajoutent aux autres droits éventuels qui peuvent varier d'une province, d'un État ou d'un pays à l'autre.

Pour obtenir aux États-Unis des services liés à la garantie, retournez le produit à vos frais accompagné de la preuve d'achat à votre Centre de service national américain ou à un Centre de service régional indépendant de garantie autorisé. Aux États-Unis, appelez-nous au 1-800-556-6696 ou visitez le www.BOSTITCH.com pour connaître l'emplacement du Centre le plus près de chez vous. Au Canada, appelez-nous au 1-800-567-7705 ou visitez le www.BOSTITCH.com.

CONSERVEZ CES DIRECTIVES

MESURES DE SÉCURITÉ - DÉFINITIONS

Ce manuel contient des renseignements importants que vous devez connaître et comprendre. Ces renseignements concernent la protection de VOTRE SÉCURITÉ et la PRÉVENTION DE PROBLÈMES LIÉS À L'ÉQUIPEMENT. Afin de vous aider à repérer ces renseignements, nous avons utilisé les pictogrammes qui se trouvent ci-dessous. Veuillez lire le manuel et être attentif à ces pictogrammes.

▲ DANGER: indique une situation dangereuse imminente qui, si elle n'est pas évitée, causera la mort ou des blessures graves.

▲ ATTENTION: indique une situation potentiellement dangereuse qui, si elle n'est pas évitée, pourrait se solder par un décès ou des blessures graves.

▲ ATTENTION: indique une situation potentiellement dangereuse qui, si elle n'est pas évitée pourrait se solder par des blessures mineures ou modérées.

AVIS: Indique une situation qui, si elle n'est pas évitée, pourrait entraîner des dommages matériels.

INSTRUCTIONS DE SÉCURITÉ

▲ ATTENTION: Une PROTECTION DES YEUX, conforme aux normes ANSI et fournissant une protection contre les projectiles en provenance de l'AVANT et des CÔTÉS, doit TOUJOURS être portée par l'opérateur et les personnes présentes dans la zone de travail, lors du raccordement à une source d'air, du chargement, du fonctionnement et de la maintenance de l'outil. Une telle protection est indispensable pour vous protéger contre les attaches et débris projetés, susceptibles d'entraîner des blessures sérieuses.



L'employeur et/ou l'utilisateur doivent s'assurer de porter une bonne protection oculaire. L'équipement de protection doit être conforme à la norme ANSI CAN/CSA Z89.3 et doit fournir une protection frontale et latérale. Des lunettes sans protection latérale et des masques faciaux ne fournissent pas la protection nécessaire.

Des mesures de sécurité supplémentaire sont requises dans certains environnements. Par exemple, la zone de travail peut favoriser l'exposition à un niveau de bruit susceptible d'entraîner une surdité. L'employeur et l'utilisateur doivent s'assurer qu'une protection de l'ouïe sera utilisée par l'opérateur et les personnes présentes dans la zone de travail. Certains environnements exigeront l'utilisation d'un équipement de protection de la tête. Lorsque cela s'avère nécessaire, l'employeur et l'utilisateur doivent s'assurer que la protection de la tête est conforme à la norme ANSI CAN/CSA Z89.1.

▲ ATTENTION: La poussière produite par le sablage, le sciage, le meulage et le vissage avec des outils électriques et d'autres activités de construction renferme des produits chimiques reconnus par l'Etat de la Californie comme pouvant causer le cancer, des anomalies congénitales ou d'autres dommages aux fonctions reproductrices. Voici quelques exemples de ces produits chimiques :

- Le plomb contenu dans les peintures à base de plomb
- La silice cristallisée contenue dans les briques, le ciment et d'autres produits de maçonnerie
- L'arsenic et le chrome contenu dans le bois traité chimiquement

Les risques d'exposition varient selon la fréquence de ce genre de travaux. Pour réduire le risque d'exposition à ces produits chimiques : Travailler dans un endroit bien aéré et porter un équipement de protection adéquat comme des masques antipoussières conçus spécifiquement pour filtrer les particules microscopiques.

ALIMENTATION EN AIR ET CONNEXIONS

▲ ATTENTION: N'utilisez jamais de l'oxygène, des gaz combustibles ou des bouteilles de gaz pour alimenter cet outil; il pourrait exploser et causer des blessures.

▲ ATTENTION: N'utilisez pas de sources d'alimentation pouvant excéder 200 lb/po² (14 kg/cm²) de pression manométrique; l'outil pourrait exploser et causer des blessures.

▲ ATTENTION: Le connecteur de l'outil ne doit pas être sous pression après avoir été déconnecté de l'alimentation d'air. Si un raccord incorrect est utilisé, l'outil peut rester sous pression après déconnexion et être capable d'enfoncer un dispositif même si la conduite d'air est déconnectée, occasionnant le cas échéant des blessures.

▲ ATTENTION: N'appuyez pas sur la gâchette ni n'abaissez le bras de contact lorsque vous êtes connecté à l'alimentation d'air; l'outil pourrait effectuer un cycle et occasionner des blessures.

▲ ATTENTION: Veuillez à toujours déconnecter l'alimentation d'air : 1.) Avant d'effectuer tout réglage; 2.) Lors de la maintenance de l'outil; 3.) Au moment de déloger une obstruction; 4.) Lorsque l'outil n'est pas utilisé; 5.) Lors du transport de l'outil dans une autre zone de travail – une mise en marche accidentelle pourrait causer des blessures.

CHARGEMENT DE L'OUTIL

- ATTENTION:** Lors du chargement de l'outil : 1.) Ne placez jamais une main ou une partie quelconque du corps sur la trajectoire de sortie des dispositifs de fixation; 2.) Ne pointez jamais l'outil vers une autre personne; 3.) N'appuyez jamais sur la gâchette et n'abaissez pas le mécanisme de butée en chargeant l'outil – une mise en marche accidentelle pourrait causer des blessures.

FONCTIONNEMENT

- AVISO:** Cet outil fonctionne différemment de tous les autres outils BOSTITCH. Afin d'offrir un maximum de visibilité pour un positionnement précis de l'attache, le déclencheur de cet outil est habituellement en position « appuyée » ou « relevée ». Sur tous les autres outils BOSTITCH ainsi que sur la plupart des autres outils, le déclencheur est habituellement en position « abaissée ».

Cet outil comporte un mode de sélection de la gâchette qui détermine si l'outil tire les attaches en mode séquentiel ou en mode déclenchement sur contact. En mode de déclenchement séquentiel, lorsque l'extrémité du nez de pose est positionnée sur la surface de travail et que la gâchette est tirée, le déclencheur s'écarte de l'outil pour détecter la surface de travail. L'extrémité du nez de pose de l'outil doit être en contact avec la surface de travail pour s'activer. Si le déclencheur ne détecte pas la surface de travail à proximité du nez de pose de l'outil, celui-ci ne s'activera pas.

En mode de déclenchement sur contact, lorsque la gâchette est appuyée et maintenue enfoncée, le déclencheur se dégage de l'outil. Toucher la surface de travail avec le nez de pose de l'outil activera le mécanisme du déclencheur afin de tirer une attache chaque fois que la surface de travail est touchée.

- ATTENTION:** Veillez à toujours manipuler l'outil avec précaution : 1.) Ne chahutez pas; 2.) N'appuyez pas sur la gâchette à moins que le nez de pose de l'outil soit dirigé vers l'ouvrage; 3.) Conservez une distance de sécurité avec l'outil lorsqu'il est en fonctionnement, car un déclenchement accidentel est possible, et peut occasionner des blessures.

- ATTENTION:** L'opérateur ne doit pas conserver la gâchette enclenchée sur les outils à bras de contact, excepté au moment de fixer des dispositifs. Si la butée de déclenchement vient en contact avec quelqu'un ou quelque chose, l'outil peut effectuer un cycle et causer des blessures sérieuses.

- ATTENTION:** Gardez votre corps ainsi que vos mains à l'écart de la trajectoire de sortie des dispositifs de fixation. Un outil à bras de contact peut rebondir lors de la fixation d'une attache – une seconde attache indésirable peut alors sortir et causer des blessures.

- ATTENTION:** Vérifiez fréquemment le fonctionnement du mécanisme de bras de contact. N'utilisez pas l'outil si le bras est défaillant, car l'éjection accidentelle d'une attache peut se produire. N'empêchez pas le bon fonctionnement du mécanisme de bras de contact.

- ATTENTION:** Ne fixez pas les dispositifs les uns par-dessus les autres, ou avec un angle trop prononcé, car ils pourraient dévier et occasionner des blessures.

- ATTENTION:** Ne fixez pas les dispositifs trop près des bords d'un ouvrage, car si le bois se fend les dispositifs pourraient dévier et occasionner des blessures.

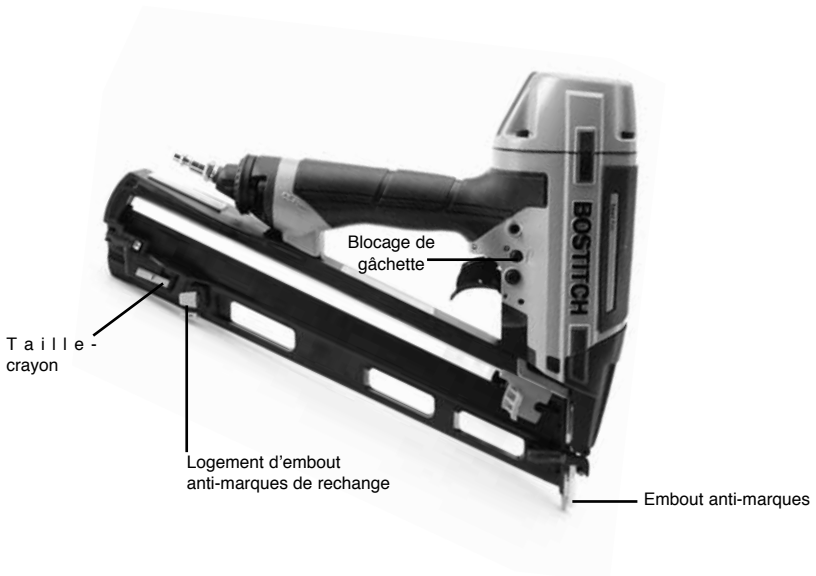
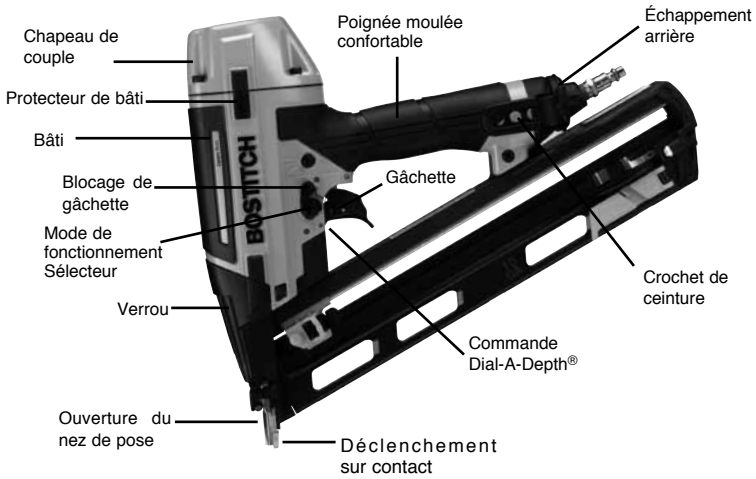
- ATTENTION:** Pendant son fonctionnement, cette cloueuse génère des ÉTINCELLES. NE JAMAIS utiliser la cloueuse près de substances, gaz ou vapeurs inflammables, y compris : laque, peinture, benzène, solvant, essence, adhésifs, mastics, colles ou tous autres produits qui sont, eux ou leurs vapeurs, brumes ou produits dérivés, inflammables, combustibles ou explosifs. L'utilisation de la cloueuse dans un tel environnement pourrait mener à une EXPLOSION pouvant causer des blessures ou le décès de l'utilisateur ou de personnes à proximité.

ENTRETIEN DE L'APPAREIL

- ATTENTION:** Si l'outil a été échappé ou si vous soupçonnez qu'il est endommagé, effectuez une vérification de fonctionnement de l'outil tel que défini dans la section de vérification de fonctionnement de l'outil.

- ATTENTION:** Lors de l'utilisation d'un outil fonctionnant sous-pression, lisez les avertissements du manuel et user d'extrêmes précautions lors de la découverte d'un problème.

COMPOSANTS DE L'OUTIL



SPÉCIFICATIONS DE L'OUTIL

Les mesures sont métriques suivies de mesures impériales entre parenthèses.

	BTFP72155	BTFP72156
Description	Cloueuse de finition à angle type « DA » de calibre 15	Cloueuse de finition à angle type « FN » de calibre 15
Type de moteur	Sans Huile	Sans Huile
Plage de pression de fonctionnement	4.9 to 8.43kg/cm ² (70-120 PSI)	4.9 to 8.43kg/cm ² (70-120 PSI)
Pression de fonctionnement maximale	8.43 kg/cm ² (120 PSI)	8.43 kg/cm ² (120 PSI)
Type d'attache	DA15 Series	FN15 Series
Calibre d'attache	15 Gauge	15 Gauge
Plage d'attache	31mm - 63mm(1-1/4 po - 2-1/2 po)	31mm - 63mm(1-1/4 po - 2-1/2 po)
Capacité du magasin	100	129
Longueur	325mm (12,8 po)	363mm (14,3 po)
Largeur	97mm (3,8 po)	97mm (3,8 po)
Hauteur	307mm (12,1 po)	307mm (12,1 po)
Poids	4,22lbs (1,9kg)	4,32lbs (2,0kg)

Pression de fonctionnement :

4,9 à 8,43 kg/cm² (70 à 120 psi). Pour une meilleure performance de l'outil, sélectionnez la pression de fonctionnement dans cette plage.



NE DÉPASSEZ PAS LA PRESSION DE FONCTIONNEMENT RECOMMANDÉE.

Consommation d'air :

Le modèle BTFP72155 exige 51,0 litres par min ou l/min (1,8 pi³/min) de rendement d'air libre à une pression de 5,6 kg/cm² (80 PSI) pour fonctionner à un taux de 60 attaches par minute. Le modèle BTFP72156 exige 53,8 litres par minute ou l/min (1,9 pi³/min) de rendement d'air libre à une pression de 5,6 kg/cm² (80 PSI) pour fonctionner à un taux de 60 attaches par minute. Pour déterminer le compresseur approprié, utilisez le taux auquel l'outil fonctionnera puis comparez le débit requis (l/min ou pi³/min) au rendement d'air libre (l/min ou pi³/min) du compresseur à une pression de 5,6 kg/cm² (80 PSI).

Ainsi, pour un débit de 30 agrafes par minute, vous aurez besoin de 50 % du volume par minute requis pour faire fonctionner l'outil avec un débit de 60 agrafes par minute. Dans ce cas, assurez-vous que votre compresseur d'air peut offrir un débit de 25,5 l/min (0,9 pi³/min) à 5,6 kg/cm² (80 PSI) pour une performance optimale du modèle BTFP72155.

CARACTÉRISTIQUES DES ATTACHES

Modelo de herramienta	Type d'attache	N° stock de l'attache	Largeur de couronne	Calibre	Longueur
BTFP72155	 Clous de finition	DA1520	N/A	15	32mm (1-1/4")
		DA1524	N/A	15	38mm (1-1/2")
		DA1532	N/A	15	50mm (2")
		DA1540	N/A	15	63mm (2-1/2")
BTFP72156	 Clous de finition	FN1520	N/A	15	32mm (1-1/4")
		FN1524	N/A	15	38mm (1-1/2")
		FN1528	N/A	15	45mm (1-3/4")
		FN1532	N/A	15	50mm (2")
		FN1536	N/A	15	57mm (2-1/4")
		FN1540	N/A	15	63mm (2-1/2")

* Les agrafes en acier inoxydable sont aussi disponibles dans certaines tailles. Visitez www.BOSTITCH.com pour plus détails.

REMARQUE :

Les outils BOSTITCH ont été fabriqués afin d'offrir un degré de satisfaction de la clientèle supérieur et sont conçus pour atteindre une performance maximale lorsqu'utilisés avec les attaches BOSTITCH de précision fabriquées avec les mêmes normes élevées. **BOSTITCH ne garantit pas les performances de vos outils s'ils sont utilisés avec des dispositifs de fixation ou accessoires ne répondant pas strictement aux exigences établies pour les clous, attaches et accessoires d'origine BOSTITCH.**

ALIMENTATION D'AIR ET CONNEXIONS

ATTENTION: N'utilisez pas d'oxygène, de gaz combustibles ou de gaz en bouteille comme source d'alimentation pour cet outil puisque cela peut causer l'explosion de l'outil et causer des blessures.

RACCORDS :

Installez une prise mâle sur l'outil laquelle est mobile et libérera la pression d'air de l'outil lorsque déconnecté de la source d'alimentation.

TUYAUX SOUPLES :

Les tuyaux d'air souples doivent avoir une pression minimale de 10,6 kg/cm² (150 psi) de pression de fonctionnement ou 150 pour cent de la pression maximale qui pourrait être produite dans le système d'air. Le tuyau d'alimentation doit comporter un raccord qui permettra un « débranchement rapide » de la prise mâle de l'outil.

SOURCE D'ALIMENTATION :

N'utilisez que de l'air comprimé régulé comme source d'alimentation pour cet outil. N'UTILISEZ JAMAIS D'OXYGÈNE, DE GAZ COMBUSTIBLE OU DE GAZ EN BOUTEILLE COMME SOURCE D'ALIMENTATION POUR CET OUTIL, CAR CELA PEUT FAIRE EXPLOSER L'OUTIL.

RÉGULATEUR :

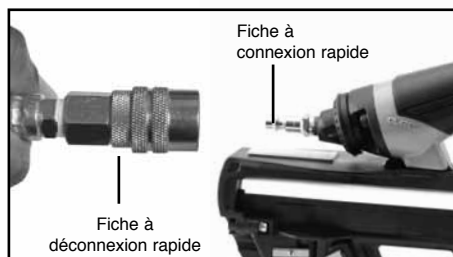
Un régulateur de pression avec une pression de fonctionnement de 0 à 8,79 kg/cm² (0 à 125 psi) est requis afin de contrôler la pression de fonctionnement pour un fonctionnement sécuritaire de cet outil. Ne connectez pas cet outil à une pression d'air qui pourrait dépasser 14 kg/cm² (200 psi) car l'outil pourrait se fracturer ou éclater et causer des blessures.

PRESSION DE FONCTIONNEMENT :

Ne dépassez pas la pression de fonctionnement maximale recommandée, sinon l'usure de l'outil en sera grandement augmentée. L'alimentation d'air doit être en mesure de maintenir la pression de fonctionnement de l'outil. Une baisse de pression subite de l'alimentation d'air est susceptible de réduire la puissance motrice de l'outil. Consultez les « SPÉCIFICATIONS DE L'OUTIL » pour régler correctement la pression de fonctionnement de l'outil.

FILTRE :

La saleté et l'eau dans l'alimentation d'air sont des causes majeures d'usure dans les outils pneumatiques. Un filtre aidera à maintenir la meilleure performance et une usure minimale de l'outil. Le filtre doit avoir une capacité d'écoulement adéquate pour l'installation en question. Le filtre doit être maintenu propre pour être efficace et fournir de l'air comprimé propre à l'outil. Consultez les instructions du fabricant concernant l'entretien de votre filtre. Un filtre sale et obstrué causera une baisse de pression, ce qui réduira la performance de l'outil.



CHARGEMENT DE L'OUTIL

ATTENTION:



DES LUNETTES DE SÉCURITÉ se conformant aux normes ANSI et qui protègent des particules projetées du côté FRONTAL ainsi que du côté LATÉRAL doivent TOUJOURS être portées par l'opérateur et toute autre personnes se trouvant dans la zone de travail lors d'une connexion à l'alimentation d'air, du chargement, de fonctionnement ou de l'entretien de cet outil. Une telle protection est indispensable pour vous protéger contre les attaches et débris projetés, susceptibles d'entraîner des blessures sérieuses.

L'employeur et/ou l'utilisateur doivent s'assurer que les lunettes de sécurité appropriées sont portées. L'équipement de protection doit être conforme à la norme ANSI Z87.1 et fournir une protection frontale et latérale. REMARQUE : Les lunettes sans protection latérale et les masques faciaux ne fournissent pas la protection nécessaire.

ATTENTION:

AFIN DE PRÉVENIR LES BLESSURES ACCIDENTELLES :

- Ne placez jamais la main ou toute autre partie du corps dans la zone de décharge de clou de l'outil alors que l'alimentation d'air est connectée.
- Ne pointez jamais l'outil vers une autre personne.
- Ne chahutez jamais.
- N'appuyez jamais sur la gâchette sans que le nez de pose soit dirigé vers la surface de travail.
- Veillez à toujours manipuler l'outil avec précaution.
- N'appuyez pas sur la gâchette ou le déclencheur pendant le chargement de l'outil.

CHARGEMENT DU BTFP72155/BTFP72156

Les cloueuses BTFP72155/BTFP72156 sont équipées de chargeurs à double charge. Le chargement des clous se fait selon l'une ou l'autre des méthodes

CHARGEMENT ET BOUTON-POUSSOIR

1. Chargez les clous dans la fente située à l'arrière du chargeur en dépassant le ressort de retenue.
2. Tirez le poussoir derrière le clou puis relâchez.
3. Assurez-vous que le poussoir est derrière le dernier clou.
4. Soufflez régulièrement sur le chargeur pour le nettoyer, afin de permettre au poussoir de se déplacer en douceur et de garder le réservoir du clou exempt de débris.



TIREZ LE POUSSOIR POUR VERROUILLER ET CHARGER

1. Tirez le poussoir vers l'arrière jusqu'à ce qu'il se verrouille à l'extrémité du chargeur.
2. Chargez les clous dans la fente située à l'arrière du chargeur en dépassant le ressort de retenue.
3. Appuyez sur le bouton poussoir pour relâcher et permettre au poussoir de s'appuyer derrière les clous.
4. Soufflez régulièrement sur le chargeur pour le nettoyer, afin de permettre au poussoir de se déplacer en douceur et de garder le réservoir du clou exempt de débris.



COMMANDE DE BLOCAGE DE GÂCHETTE

La commande de blocage de gâchette des outils pneumatiques BOSTITCH permet le blocage de la gâchette pour une plus grande sécurité. Enfoncez ou relâchez le bouton de commande de blocage afin d'activer ou de bloquer la gâchette de l'outil.

Bouton de commande de blocage de gâchette



MODE DE DÉCLENCHEMENT

ATTENTION: Déconnectez toujours l'alimentation d'air avant d'effectuer des ajustements puisque l'outil pourrait être actionné accidentellement et causer des blessures.

La BTFP72155/BTFP72156 offrent un système de gâchette sélectionnable qui permet à l'utilisateur de choisir entre les modes de fonctionnement suivants :

1. Fonctionnement par déclenchement sur contact

2. Fonctionnement par déclenchement séquentiel

1. DÉCLENCHEMENT SUR CONTACT :

La procédure normale pour les outils à « déclenchement sur contact » est pour l'opérateur de faire contact avec la surface de travail afin d'actionner le mécanisme de déclenchement tout en maintenant la gâchette tirée, ce qui déclenche le tir d'une attache chaque fois que le contact est établi avec la surface de travail. Cela permet la pose rapide d'attaches pour plusieurs types de travaux. Tous les outils pneumatiques accusent un recul lorsqu'une attache est tirée. L'outil peut rebondir, ce qui relâche le déclencheur, et si un contact non intentionnel est fait avec la surface de travail alors que la gâchette est toujours actionnée (le doigt maintient toujours la gâchette tirée) une deuxième attache sera tirée.

2. DÉCLENCHEMENT SÉQUENTIEL :

Le déclenchement séquentiel requiert que l'opérateur maintienne l'outil contre la surface de travail avant d'appuyer sur la gâchette. Cela permet le placement plus précis des attaches. Le déclenchement séquentiel permet le placement exact des attaches sans qu'il soit possible de tirer une deuxième attache lors d'un recul tel que décrit à « Déclenchement sur contact ». Un outil à déclenchement séquentiel représente un avantage certain parce qu'il n'est pas possible de tirer une attache accidentellement lorsque l'outil entre en contact avec la surface de travail – ou quoi que ce soit d'autre – alors que l'opérateur appuie sur la gâchette.

SÉLECTION/CHANGEMENT DU MODE DE DÉCLENCHEMENT :

Pour des raisons de sécurité, l'utilisateur doit bloquer la gâchette (comme décrit ci-dessous) avant de changer le système de gâchette. Pour modifier le mode de déclenchement, tournez le sélecteur de mode vers le corps de l'outil. Le sélecteur de mode se bloquera automatiquement lorsque la flèche de l'indicateur pointe vers le bas sur l'icône à 3 clous estampillée sur le bâti de l'outil (mode déclenchement sur contact) ou sur l'icône à 1 clou estampillée sur le bâti de l'outil (mode déclenchement séquentiel). Débloquer la gâchette pour utiliser à nouveau l'outil.

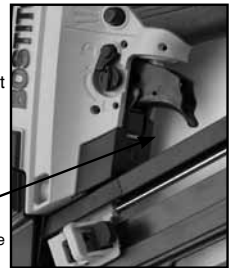


Mode de déclenchement séquentiel
(sélecteur de mode de déclenchement pointant vers le haut)

Mode de déclenchement sur contact
(sélecteur de mode de déclenchement pointant vers le bas)

AJUSTEMENT DE LA COMMANDE D'ATTACHE DIAL-A-DEPTH®

L'ajustement de la commande d'attache DIAL-A-DEPTH® permet de contrôler précisément la profondeur d'enfoncement de l'attache : depuis le même niveau que la surface de travail jusqu'à un noyage plus ou moins profond. Réglez d'abord la pression d'air pour un enfoncement adéquat, tel que décrit à la page 39, puis utilisez l'ajustement de commande d'attache DIAL-A-DEPTH® pour obtenir la profondeur d'enfoncement désirée.



Ajustement de la commande d'attache Dial-A-Depth®

EN SUPPLÉMENT DES AUTRES AVERTISSEMENTS CONTENUS DANS CE MANUEL, OBSERVEZ LES RÈGLES SUIVANTES POUR OPÉRER EN TOUTE SÉCURITÉ :

- N'utilisez jamais l'outil pneumatique BOSTITCH dans un but autre que celui pour lequel il a été conçu.
- N'orientez jamais l'outil de façon à ce qu'il puisse éjecter une attache en direction de l'utilisateur ou d'autres personnes dans la zone de travail.
- N'utilisez jamais l'outil comme un marteau.
- Veillez à toujours transporter l'outil à l'aide de la poignée. Ne transportez jamais l'outil par le conduit d'air.
- N'altérez pas ni ne modifiez la conception ou la fonction originales de l'outil sans en recevoir l'autorisation de BOSTITCH.
- Gardez toujours présent à l'esprit qu'une utilisation ou une manipulation incorrecte de cet outil sont susceptibles d'occasionner des blessures à vous-même et à d'autres personnes.
- N'attachez jamais et ne collez jamais avec du ruban en position actionnée la gâchette ou le déclencheur de contact.
- Ne laissez jamais un outil sans surveillance avec le conduit d'air attaché.
- Ne faites pas fonctionner l'outil s'il ne comporte pas une ÉTIQUETTE D'AVERTISSEMENT lisible.
- Cessez d'utiliser l'outil en cas de fuite d'air ou s'il ne fonctionne pas correctement. Avisez votre représentant BOSTITCH le plus proche si votre outil continue de mal fonctionner.

CROCHET DE CEINTURE

ATTENTION: Déconnectez toujours l'outil de l'alimentation d'air avant de faire des ajustements ou de tenter d'assembler ou de désassembler une pièce.

AVIS: Le crochet de ceinture ne peut pas être retiré.

Les modèles BTFP72155 et BTFP72156 de Bostitch sont équipés d'un crochet de ceinture intégré pouvant pivoter d'un côté ou de l'autre de l'outil pour être utilisé à la fois par les droitiers et les gauchers. Il peut également être orienté de façon à ne pas gêner lorsqu'il n'est pas utilisé.



SOUFFLERIE INTÉGRÉE

ATTENTION: Ne soufflez JAMAIS des débris vers vous ou les autres personnes présentes dans la zone de travail.

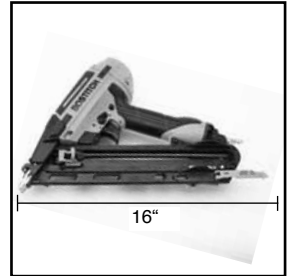
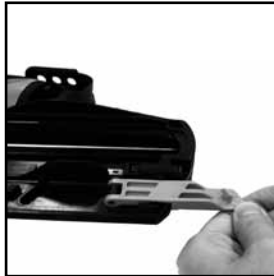
Les modèles BTFP72155 et BTFP72156 sont dotés d'un souffleur d'air intégré qui permet d'éliminer les débris pendant l'utilisation. Appuyez sur le bouton de soufflerie intégrée. De l'air comprimé sera éjecté par la partie frontale de l'outil. Relâchez le bouton pour interrompre le soufflage.



GABARIT DE 40,6 CM (16 PO) EXCENTRÉ

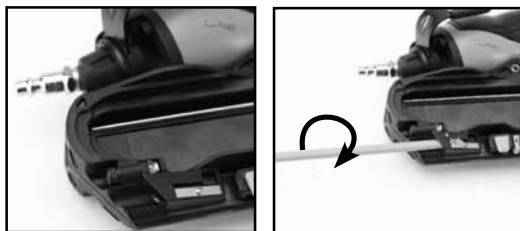
Gabarit de 40,6 cm (16 po) excentré permettant la localisation des poteaux de cloison.

1. Tirez sur le gabarit excentré pour le diriger vers le côté opposé.
2. Appuyez sur le gabarit excentré pour l'enclencher dans le magasin.
3. Une distance de 40,6 cm (16 po) est mesurée du nez de pose au gabarit excentré aidant ainsi à localiser les poteaux de cloison.



POUR UTILISER LE TAILLE-CRAYON INTÉGRÉ

Un taille-crayon classique intégré au chargeur est une caractéristique pratique pour l'utilisateur. Pour tailler un crayon, insérez un crayon classique dans l'orifice puis tournez le crayon dans le sens des aiguilles d'une montre.



FONCTIONNEMENT DE L'OUTIL



DES LUNETTES DE SÉCURITÉ se conformant aux normes ANSI et qui protègent des particules projetées du côté **FRONTAL** ainsi que du côté **LATÉRAL** doivent **TOUJOURS** être portées par l'opérateur et toute autre personnes se trouvant dans la zone de travail lors d'une connexion à l'alimentation d'air, du chargement, de fonctionnement ou de l'entretien de cet outil. Une telle protection est indispensable pour vous protéger contre les attaches et débris projetés, susceptibles d'entraîner des blessures sérieuses.

ATTENTION:

L'employeur et/ou l'utilisateur doivent s'assurer que les lunettes de sécurité appropriées sont portées. L'équipement de protection doit être conforme à la norme ANSI Z87.1 et fournir une protection frontale et latérale. **REMARQUE** : Les lunettes sans protection latérale et les masques faciaux ne fournissent pas la protection nécessaire.

PRÉALABLEMENT À LA MANIPULATION OU À L'UTILISATION DE CET OUTIL :

- I. VEILLEZ À LIRE ET COMPRENDRE LES AVERTISSEMENTS CONTENUS DANS CE MANUEL.
- II. REPORTEZ-VOUS AUX « SPÉCIFICATIONS DE L'OUTIL » DU PRÉSENT MANUEL AFIN D'IDENTIFIER LE SYSTÈME DE FONCTIONNEMENT SUR VOTRE OUTIL.

FONCTIONNEMENT

1. FONCTIONNEMENT EN MODE DÉCLENCHEMENT SUR CONTACT :

En MODE DÉCLENCHEMENT SUR CONTACT, le déclencheur de contact de l'outil fonctionne en conjonction avec la gâchette pour tirer une attache. Il y a deux méthodes de fonctionnement pour enfoncer des attaches avec un outil à déclenchement sur contact.

A. **ENFONCEMENT D'UNE ATTACHE UNIQUE** : Pour faire fonctionner l'outil de cette manière, positionnez d'abord le déclencheur de contact sur la surface de travail, **SANS APPUYER SUR LA GÂCHETTE**. Maintenez le nez de pose contre la surface de travail, puis appuyez sur la gâchette pour libérer une attache. N'appuyez pas l'outil contre la surface de travail avec une trop grande force. Plutôt, permettez à l'outil d'accuser le recul de la surface de travail afin d'éviter une deuxième attache non désirée. Retirez votre doigt de la gâchette après chaque opération.

B. **TIR D'ATTACHE RAPIDE** : Pour faire fonctionner l'outil de cette manière, tenez le déclencheur de contact en direction de la surface de travail sans qu'il y touche. Appuyez sur la gâchette puis tapez le déclencheur de contact sur la surface de travail dans un mouvement de rebonds. Chaque bond du déclencheur de contact causera le tir d'une attache.

ATTENTION:

L'opérateur ne doit pas maintenir la gâchette enfoncée sur les outils à déclenchement sur contact sauf lors des opérations d'attache puisque de graves blessures peuvent être causées si le déclencheur entrait en contact avec quelqu'un ou quelque chose accidentellement, ce qui pourrait actionner l'outil.

ATTENTION:

Ne placez jamais la main ou le corps dans la zone de décharge de l'outil. Un outil à déclencheur de contact peut rebondir en raison du recul causé au moment de tirer une attache et une deuxième attache pourrait être tirée inopinément et causer des blessures.

2. FONCTIONNEMENT EN MODE DÉCLENCHEMENT SÉQUENTIEL :

En MODE DÉCLENCHEMENT SÉQUENTIEL, le déclencheur de contact fonctionne en conjonction avec la gâchette pour tirer une attache. Pour faire fonctionner un outil à déclenchement séquentiel, positionnez d'abord le déclencheur de contact sur la surface de travail, **SANS APPUYER SUR LA GÂCHETTE**. Maintenez le nez de pose contre la surface de travail, puis appuyez sur la gâchette pour libérer une attache. Aussi longtemps que le déclencheur de contact est en contact avec la surface de travail et est maintenu enfoncé, l'outil tirera une attache chaque fois que la gâchette est appuyée. Si le déclencheur de contact arrête d'être en contact avec la surface de travail, la séquence décrite ci-dessus doit être répétée afin d'enfoncer une autre attache.

AVIS: Cet outil fonctionne différemment de tous les autres outils BOSTITCH. Afin d'offrir un maximum de visibilité pour un positionnement précis de l'attache, le déclencheur de cet outil est habituellement en position « appuyée » ou « relevée ». Sur tous les autres outils BOSTITCH ainsi que sur la plupart des autres outils, le déclencheur est habituellement en position « abaissée ».

Cet outil comporte un mode de sélection de la gâchette qui détermine si l'outil tire les attaches en mode séquentiel ou en mode déclenchement sur contact. En mode de déclenchement séquentiel, lorsque l'extrémité du nez de pose est positionnée sur la surface de travail et que la gâchette est tirée, le déclencheur s'écarte de l'outil pour détecter la surface de travail. L'extrémité du nez de pose de l'outil doit être en contact avec la surface de travail pour s'activer. Si le déclencheur ne détecte pas la surface de travail à proximité du nez de pose de l'outil, celui-ci ne s'activera pas.

En mode de déclenchement sur contact, lorsque la gâchette est appuyée et maintenue enfoncée, le déclencheur se dégagera de l'outil. Toucher la surface de travail avec le nez de pose de l'outil activera le mécanisme du déclencheur afin de tirer une attache chaque fois que la surface de travail est touchée.

ATTENTION: Si l'outil a été échappé ou si vous soupçonnez qu'il est endommagé, effectuez une vérification de fonctionnement de l'outil tel que défini dans la section de vérification de fonctionnement de l'outil.

PROCÉDURE POUR LE DÉGAGEMENT DES BLOCAGES

ATTENTION: Déconnectez l'outil de l'alimentation d'air avant de faire des ajustements ou de tenter d'assembler ou de désassembler une pièce.

Il peut arriver que des clous restent bloqués dans le nez poseur de la cloueuse pneumatique. Cela peut se produire lorsque l'attache frappe une plaque de métal, une vis de cloison sèche ou tout autre objet dur. La BTFP72155/BTFP72156 et la SX1838 comportent une architecture à rainure de mandrin ouverte permettant le dégagement des blocages. Suivez la procédure suivante pour dégager un blocage.

1. Déconnectez l'outil de l'alimentation d'air.
2. Relâchez le poussoir jusqu'à ce qu'il n'applique plus aucune force sur les clous.
3. Ouvrez la porte du dégagement des blocages du nez de pose en tirant vers le bas puis vers le haut sur le verrou.
4. Retirez l'attache coincée. L'utilisation d'une pince sera parfois nécessaire pour retirer l'attache.
5. Fermez le verrou de la porte du dégagement des blocages du nez de pose.
6. Tirez le poussoir du clou derrière les clous.
7. Vérifiez le fonctionnement de l'outil.

DÉGAGEMENT DE BLOCAGE AVEC LA BTFP72155/BTFP72156



VÉRIFICATION DU FONCTIONNEMENT DE L'OUTIL

ATTENTION: Retirez toutes les attaches de l'outil avant d'effectuer une vérification du fonctionnement de l'outil.

ATTENTION: Si l'outil a été échappé ou si vous soupçonnez que l'outil est endommagé, effectuez une vérification de fonctionnement de l'outil.

1. FONCTIONNEMENT EN MODE DÉCLENCHEMENT SUR CONTACT :

A. En enlevant votre doigt de sur la gâchette, appuyez le déclencheur de contact contre la surface de travail.

L'OUTIL NE DOIT PAS ÊTRE ACTIONNÉ.

B. Retirez l'outil de la surface de travail et appuyez sur la gâchette.

L'OUTIL NE DOIT PAS ÊTRE ACTIONNÉ.

C. Alors que l'outil n'est pas en contact avec la surface de travail, appuyez sur la gâchette. Appuyez le déclencheur de contact contre la surface de travail.

L'OUTIL DOIT ÊTRE ACTIONNÉ.

D. Sans toucher la gâchette, appuyez le déclencheur de contact contre la surface de travail, puis appuyez sur la gâchette.

L'OUTIL DOIT ÊTRE ACTIONNÉ.

2. FONCTIONNEMENT EN MODE DÉCLENCHEMENT SÉQUENTIEL :

A. Appuyez le déclencheur de contact contre la surface de travail, sans toucher la gâchette.

L'OUTIL NE DOIT PAS ÊTRE ACTIONNÉ.

B. Retirez l'outil de la surface de travail et appuyez sur la gâchette.

L'OUTIL NE DOIT PAS ÊTRE ACTIONNÉ.

C. Appuyez sur la gâchette et appuyez le déclencheur de contact contre la surface de travail.

L'OUTIL NE DOIT PAS ÊTRE ACTIONNÉ.

D. En enlevant votre doigt de sur la gâchette, appuyez le déclencheur de contact contre la surface de travail Appuyez sur la gâchette.

L'OUTIL DOIT ÊTRE ACTIONNÉ.

ENTRETIEN DE L'OUTIL PNEUMATIQUE

ATTENTION: Prenez note des avertissements de ce manuel lorsque vous travaillez avec des outils pneumatiques et prenez toutes les précautions possibles lorsque vous évaluez les outils à problèmes.

PIÈCES DE RECHANGE :

N'utilisez que de pièces de rechange d'origine BOSTITCH. N'utilisez pas de pièces modifiées.

PROCÉDURE D'ASSEMBLAGE DES JOINTS :

Lorsque vous réparez un outil, assurez-vous que les pièces internes sont propres et lubrifiées. Utilisez du Parker "O"-LUBE, Magnalube ou l'équivalent sur tous les joints toriques. Enduisez chaque joint torique de lubrifiant avant l'assemblage.

ALIMENTATION D'AIR-PRESSION ET VOLUME :

Le volume d'air est aussi important que la pression d'air. Le volume d'air fourni à l'outil peut être inadéquat en raison de garnitures et conduits trop justes, ou en raison de la présence de poussière ou d'eau dans le système. Un débit d'air restreint empêchera que l'outil reçoive suffisamment d'air, même si la pression est haute. Il en résulte un fonctionnement ralenti, un défaut d'alimentation ou une force motrice réduite. Avant d'évaluer les problèmes d'outils pour ces symptômes, localisez le parcours de l'alimentation d'air de l'outil à la source d'alimentation afin d'identifier les connecteurs restrictifs, les points bas contenant de l'eau et toute autre obstruction qui pourrait empêcher l'écoulement du plein volume d'air vers l'outil.

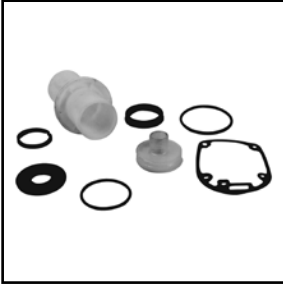
LISTE DE VÉRIFICATION POUR L'ENTRETIEN

Entretien	Bienfait	Procédure	Intervalle de service
Inspectez la performance de la gâchette	Assurez-vous que le système de gâchette est en bon état de marche	Reportez-vous à la section Vérification du fonctionnement de l'outil du présent manuel	Chaque jour
Drainez le condensat des réservoirs de compresseur d'air et des filtres à air tous les jours ou après chaque utilisation.	Prévient l'accumulation de l'humidité qui peut affaiblir la performance de l'outil	Ouvrez les robinets de purge des réservoirs et des filtres à air et drainez-en tout le condensat	Chaque jour
Nettoyez l'assemblage du magasin	Prévient l'accumulation de débris qui pourraient causer un blocage	Nettoyez au jet d'air comprimé	Chaque jour
Nettoyez le nez de pose, l'ouverture et la zone de contact avec le bras	Prévient l'accumulation de débris pouvant entraîner une obstruction ou un défaut de fonctionnement.	Nettoyez au jet d'air comprimé	Chaque jour
Assurez-vous que toutes les pièces de fixation sont bien serrées	Prévient les pièces lâches	Serrez toutes les pièces de fixation à l'aide de la clé hex de la bonne taille	Chaque semaine
Vérifiez/nettoyez l'entrée d'air du filtre à air	Maintient un écoulement d'air approprié au moteur pour une performance optimale.	Enlevez le capuchon et utilisez un fusil à air comprimé afin de nettoyer le filtre. Remplacez le filtre lorsque nécessaire.	25,000 attaches ou tous les mois - si utilisé dans des endroits poussiéreux
Remplacez l'embout anti-marques	Prévient les marques sur les applications en bois mou	Enlevez l'embout anti-marques et remplacez-le par un nouvel embout (embout de rechange situé sur le magazine)	25 000 attaches
Remplace l'assemblage piston-entraînement	Maintient la qualité de l'entraînement	Reportez-vous aux instructions de l'ensemble de pièces de rechange	150 000 attaches
Remplacez les joints toriques	Maintient la performance optimale du moteur	Reportez-vous aux instructions de l'ensemble de pièces de rechange	250 000 attaches
Remplacez l'amortisseur	Maintient la performance optimale du moteur	Reportez-vous aux instructions de l'ensemble de pièces de rechange	250 000 attaches
Remplacez la soupape	Maintient la performance optimale du moteur	Reportez-vous aux instructions de l'ensemble de pièces de rechange	250 000 attaches
Remplace le cylindre de moteur	Maintient la performance optimale du moteur	Reportez-vous aux instructions de l'ensemble de pièces de rechange	500 000 attaches

DÉPANNAGE

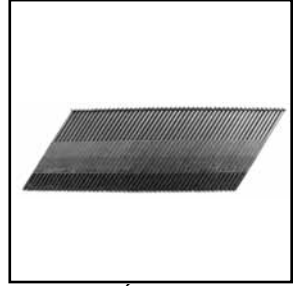
PROBLÈME	CAUSE	SOLUTION
De l'air s'échappe du compartiment de soupape de la gâchette	Le joint torique est coupé ou craquelé.....	Remplacez le joint torique
La tige de soupape de la gâchette laisse fuir de l'air.	Le joint torique est coupé ou craquelé.....	Remplacez la soupape de la gâchette
Fuite d'air du châssis/nez de pose	Le joint torique ou étanche est coupé L'amortisseur est craquelé ou usé	Remplacez le joint torique ou étanche ou craquelé Remplacez l'amortisseur
Fuite d'air du châssis/capuchon	Joint endommagé..... Soupape craquelée ou usée	Remplacez le joint Remplacez la soupape
	Vis d'assemblage desserrées	Resserrez et vérifiez de nouveau
Cycle non amorcé	Il y a restriction dans l'alimentation d'air..... Soupape usée..... Ressort de capuchon de cylindre brisé..... Soupape coincée dans le capuchon.....	Vérifiez l'équipement d'alimentation d'air Remplacez la soupape Remplacez le ressort de capuchon de cylindre Désassemblez / Vérifiez / Lubrifiez
Impossible de terminer le cycle	Débris dans le nez de pose, l'ouverture, la zone de contact avec le bras.....	Nettoyez le nez de pose, l'ouverture, la zone de contact avec le bras
Manque de puissance, l'outil tourne au ralenti	Ressort de capuchon de cylindre brisé..... Les segments ou les joints sont coupés Échappement bloqué	Remplacez le ressort de capuchon Remplacez les segments ou les joints ou craquelés Vérifiez l'amortisseur, le ressort de soupape
	L'assemblage de la gâchette est trop usé	Remplacez l'assemblage ou fuit
	Des impuretés se sont accumulées sur	Démontez le nez de pose et le mandrin afin de les nettoyer le mandrin
	La chemise du cylindre n'appuie pas comme il faut sur l'amortisseur du fond.....	Démontez afin de corriger le problème
	La pression d'air est trop basse.....	Vérifiez l'équipement d'alimentation d'air
	Filter à air obstrué	Nettoyer ou remplacer le filtre à air
L'outil saute des attaches; l'alimentation est intermittente	L'amortisseur est usé..... Débris dans le nez de pose, l'ouverture, la zone de contact avec le bras..... Alimentation d'air restreinte ou débit d'air inadéquat dans la douille de débranchement rapide et la fiche Le segment de piston est usé..... Le ressort du poussoir est endommagé..... La pression d'air est basse..... Les vis du nez de pose du magasin sont desserrées Les attaches sont trop petites pour l'outil..... Attaches pliées..... Taille incorrecte des attaches..... Le joint statique fuit..... Le joint torique de la soupape de déclenchement est coupé ou trop usé Le mandrin est cassé ou détérioré..... Le magasin est sale ou trop peu lubrifié..... Le magasin est trop usé..... Filter à air obstrué.....	Remplacez l'amortisseur Nettoyez le nez de pose, l'ouverture, la zone de contact avec le bras Remplacez les raccords de débranchement rapide Remplacez le segment, vérifiez le mandrin Remplacez le ressort Vérifiez le système d'alimentation d'air vers l'outil Resserrez toutes les vis N'utilisez que les attaches recommandées Cessez d'utiliser ces attaches N'utilisez que les attaches recommandées Serrez les vis et remplacez le joint statique Remplacez le joint torique Remplacez le mandrin (vérifiez le segment de piston) Nettoyez et lubrifiez et utilisez le lubrifiant pour outil pneumatique BOSTITCH Remplacez le magasin Nettoyer ou remplacer le filtre à air
Attaches coincées dans l'outil	La rainure du mandrin est usée..... Taille incorrecte des attaches..... Attaches pliées..... Les vis du nez de pose ou magasin sont desserrées Le mandrin est cassé ou détérioré.....	Remplacez le nez de pose, vérifiez la porte N'utilisez que les attaches recommandées Cessez d'utiliser ces attaches Resserrez toutes les vis Remplacez le mandrin

ACCESSOIRES DISPONIBLES



N62FNB-RK
ENSEMBLE DE
RÉASSEMBLAGE POUR -
BTFP72156

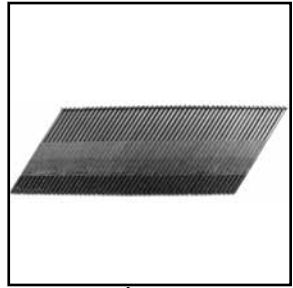
DA1564K-RK
ENSEMBLE DE
RÉASSEMBLAGE POUR -
BTFP72155



SÉRIE DA
CLOUS DE FINITION À ANGLE
DE CALIBRE 15 DISPONIBLES
EN STYLE CLAIR



TVA #17
TROUSSE POUR SOUPAPE DE
DÉCLENCHEMENT - BTFP72155
& BTFP72156



SÉRIE FN
CLOUS DE FINITION À ANGLE
DE CALIBRE 15 DISPONIBLES
EN STYLE CLAIR OU EN ACIER
INOXYDABLE

Free Manuals Download Website

<http://myh66.com>

<http://usermanuals.us>

<http://www.somanuals.com>

<http://www.4manuals.cc>

<http://www.manual-lib.com>

<http://www.404manual.com>

<http://www.luxmanual.com>

<http://aubethermostatmanual.com>

Golf course search by state

<http://golfingnear.com>

Email search by domain

<http://emailbydomain.com>

Auto manuals search

<http://auto.somanuals.com>

TV manuals search

<http://tv.somanuals.com>