

IMPORTANT:
Read Before Using

IMPORTANT :
Lire avant usage

IMPORTANTE:
Leer antes de usar



Operating/Safety Instructions
Consignes de fonctionnement/sécurité
Instrucciones de funcionamiento y seguridad

RZ18V



Call Toll Free
for Consumer Information
& Service Locations

Pour renseignement des
consommateurs et centres
de service, appelez au
numéro gratuit :

Llame gratis para
obtener información
para el consumidor y
ubicaciones de servicio

1-877-ROTOZIP (1-877-768-6947) www.rotozip.com

For English
See page 2

Parlez-vous français?
Voir page 22

¿Habla español?
Ver página 42

General Safety Rules

⚠ WARNING Read all instructions. Failure to follow all instructions listed below may result in electric shock, fire and/or serious injury. The term “power tool” in all of the warnings listed below refers to your mains-operated (corded) power tool or battery-operated (cordless) power tool.

SAVE THESE INSTRUCTIONS

Work area safety

Keep work area clean and well lit. Cluttered or dark areas invite accidents.

Do not operate power tools in explosive atmospheres, such as in the presence of flammable liquids, gases or dust. Power tools create sparks which may ignite the dust or fumes.

Keep children and bystanders away while operating a power tool. Distractions can cause you to lose control.

Electrical safety

Power tool plugs must match the outlet. Never modify the plug in any way. Do not use any adapter plugs with earthed (grounded) power tools. Unmodified plugs and matching outlets will reduce risk of electric shock.

Avoid body contact with earthed or grounded surfaces such as pipes, radiators, ranges and refrigerators. There is an increased risk of electric shock if your body is earthed or grounded.

Do not expose power tools to rain or wet conditions. Water entering a power tool will increase the risk of electric shock.

Do not abuse the cord. Never use the cord for carrying, pulling or unplugging the power tool. Keep cord away from heat, oil, sharp edges or moving parts. Damaged or entangled cords increase the risk of electric shock.

When operating a power tool outdoors, use an extension cord suitable for outdoor use. Use of a cord suitable for outdoor use reduces the risk of electric shock.

Do not use AC only rated tools with a DC power supply. While the tool may appear to work, the electrical components of the AC rated tool are likely to fail and create a hazard to the operator.

If operating the power tool in damp locations is unavoidable a Ground Fault Circuit Interrupter (GFCI) must be used to supply the power to your tool. GFCI and personal protection devices like electrician’s rubber gloves and footwear will further enhance your personal safety.

Personal safety

Stay alert, watch what you are doing and use common sense when operating a power tool. Do not use a power tool while you are tired or under the influence of drugs, alcohol or medication. A moment of inattention while operating power tools may result in serious personal injury.

Use safety equipment. Always wear eye protection. Safety equipment such as dust mask, non-skid safety shoes, hard hat, or hearing protection used for appropriate conditions will reduce personal injuries.

Avoid accidental starting. Ensure the switch is in the off-position before plugging in. Carrying power tools with your finger on the switch or plugging in power tools that have the switch on invites accidents.

Remove any adjusting key or wrench before turning the power tool on. A wrench or a key left attached to a rotating part of the power tool may result in personal injury.

Do not overreach. Keep proper footing and balance at all times. This enables better control of the power tool in unexpected situations.

Dress properly. Do not wear loose clothing or jewelry. Keep your hair, clothing and gloves away from moving parts. Loose clothes, jewelry or long hair can be caught in moving parts.

If devices are provided for the connection of dust extraction and collection facilities, ensure these are connected and properly used. Use of these devices can reduce dust-related hazards.

Keep handles dry, clean and free from oil and grease. Slippery hands cannot safely control the power tool.

Power tool use and care

Do not force the power tool. Use the correct power tool for your application.

The correct power tool will do the job better and safer at the rate for which it was designed.

Do not use the power tool if the switch does not turn it on and off. Any power tool that cannot be controlled with the switch is dangerous and must be repaired.

Disconnect the plug from the power source and/or the battery pack from the power tool before making any adjustments, changing accessories, or storing power tools. Such preventive safety measures reduce the risk of starting the power tool accidentally.

Store idle power tools out of the reach of children and do not allow persons unfamiliar with the power tool or these instructions to operate the power tool. Power tools are dangerous in the hands of untrained users.

Maintain power tools. Check for misalignment or binding of moving parts, breakage of parts and any other condition that may affect the power tools operation. If damaged, have the power tool repaired before use. Many accidents are caused by poorly maintained power tools.

Keep cutting tools sharp and clean. Properly maintained cutting tools with sharp cutting edges are less likely to bind and are easier to control.

Use the power tool, accessories and tool bits etc., in accordance with these instructions and in the manner intended for the particular type of power tool, taking into account the working conditions and the work to be performed. Use of the power tool for operations different from those intended could result in a hazardous situation.

Use clamps or other practical way to secure and support the workpiece to a stable platform. Holding the work by hand or against your body is unstable and may lead to loss of control.

Battery tool use and care

Ensure the switch is in the off position before inserting battery pack. Inserting the battery pack into power tools that have the switch on invites accidents.

Recharge only with the charger specified by the manufacturer. A charger that is suitable for one type of battery pack may create a risk of fire when used with another battery pack.

Use battery tools only with specifically designated battery packs. Use of any other battery packs may create a risk of injury and fire.

When battery pack is not in use, keep it away from other metal objects like paper clips, coins, keys, nails, screws, or other small metal objects that can make a connection from one terminal to another. Shorting the battery terminals together may cause burns or a fire.

Under abusive conditions, liquid may be ejected from the battery, avoid contact. If contact accidentally occurs, flush with water. If liquid contacts eyes, additionally seek medical help. Liquid ejected from the battery may cause irritation or burns.

Service

Have your power tool serviced by a qualified repair person using only identical replacement parts. This will ensure that the safety of the power tool is maintained.

Develop a periodic maintenance schedule for your tool. When cleaning a tool be careful not to disassemble any portion of the tool since internal wires may be misplaced or pinched or safety guard return springs may be improperly mounted. Certain cleaning agents such as gasoline, carbon tetrachloride, ammonia, etc. may damage plastic parts.

SAVE THESE INSTRUCTIONS

Spiral Saw™ Safety Rules

Hold tool by insulated gripping surfaces when performing an operation where the cutting tool may contact hidden wiring. Contact with a "live" wire will make exposed metal parts of the tool "live" and shock the operator.

Use clamps or other practical way to secure and support the workpiece to a stable platform. Holding the work by hand or against your body is unstable and may lead to loss of control.

If cutting into existing walls or other blind areas where electrical wiring may exist is unavoidable, disconnect all fuses or circuit breakers feeding this worksite.

Always make sure the work surface is free from nails and other foreign objects. Cutting into a nail can cause the bit and the tool to jump and damage the bit.

Never hold the workpiece in one hand and the tool in the other hand when in use. Never place hands near or below cutting surface. Clamping the material and guiding the tool with both hands is safer.

Never lay workpiece on top of hard surfaces, like concrete, stone, etc... Protruding cutting bit may cause tool to jump.

Always wear safety goggles and dust mask. Use only in well ventilated area. Using personal safety devices and working in safe environment reduces risk of injury.

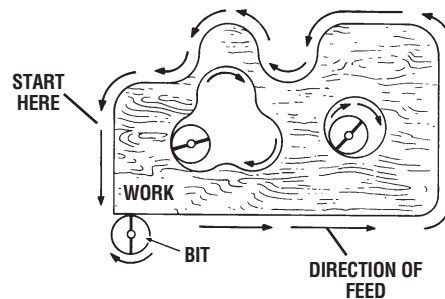
After changing the bits or making any adjustments, make sure the collet nut and any other adjustment devices are securely tightened. Loose adjustment device can unexpectedly shift, causing loss of control, loose rotating components will be violently thrown.

Never start the tool when the bit is engaged in the material. The bit cutting edge may grab the material causing loss of control of the cutter.

Always hold the tool with two hands during start-up. The reaction torque of the motor can cause the tool to twist.

When routing or cutting, the direction of feed with the bit's cutting edge into the material is very important. Always feed the bit into the material in the same direction as the cutting edge is exiting from the material. When viewing the tool

from the top, the bit rotates clockwise. If the tool is between the workpiece and your body, then feed the tool to your right. If the workpiece is between the tool and your body, then feed the tool to your left. Feeding the tool in the wrong direction causes the cutting edge of the bit to climb out of the work and pull the tool in the direction of this feed.



Never use dull or damaged bits. Sharp bits must be handled with care. Damaged bits can snap during use. Dull bits require more force to push the tool, possibly causing the bit to break.

Never touch the bit during or immediately after the use. After use the bit is too hot to be touched by bare hands.

Never lay the tool down until the motor has come to a complete standstill. The spinning bit can grab the surface and pull the tool out of your control.

Never use bits that have a cutting diameter greater than the opening in the base.

Do not use the tool for drilling purposes. This tool is not intended to be used with drill bits.

Always use the tool with the depth guide securely attached and positioned flat against material being cut. The guide securely positioned on the material improves the stability and control of your tool.

⚠ WARNING Some dust created by power sanding, sawing, grinding, drilling, and other construction activities contains chemicals known to cause cancer, birth defects or other reproductive harm. Some examples of these chemicals are:

- Lead from lead-based paints,
- Crystalline silica from bricks and cement and other masonry products, and
- Arsenic and chromium from chemically-treated lumber.

Your risk from these exposures varies, depending on how often you do this type of work. To reduce your exposure to these chemicals: work in a well ventilated area, and work with approved safety equipment, such as those dust masks that are specially designed to filter out microscopic particles.

Zipmate Abrasive Cut-Off Attachment Safety Rules

Always use wheel guard, and the tool's auxiliary handle with this abrasive cut off tool. The guard must always be securely attached to the tool and positioned for maximum safety, so the least amount of wheel is exposed on the operators side of the tool. A guard protects operator from broken wheel fragments. The support ribs and auxiliary handle provide additional guarding, stability and control in cut off applications. The body of your Rotozip tool or your Zipmate attachment can also be used as a handle.

Always be certain that the wheel guard, and tool's auxiliary handle are reassembled and securely fastened to the tool when changing the point of operation from fire forward to fire reverse or after changing the wheels. A tool missing an essential safety component is dangerous to operate.

Hold tool by insulated gripping surfaces when performing an operation where the abrasive wheels may contact hidden wiring or its own cord. Contact with a "live" wire will make exposed metal parts of the tool "live" and shock the operator.

Wear proper apparel while using an abrasive cut off tool. Face shield or at least safety goggles, dust mask, leather gloves and shop apron capable of stopping small wheel or workpiece fragments.

This attachment is not intended to be used with Wet Diamond Wheels. Using water or other liquid coolants with this tool may result in electrocution or shock. Use of Dry Diamond Wheels is acceptable.

Use only Type 1 abrasive cut off wheels with the correct size arbor hole. Never use damaged or incorrect wheel flanges or round nut. Other types of wheels are not intended to apply load on periphery and may shatter. Wheels with arbor holes that do not match the mounting hardware of the tool will

run eccentrically, vibrate excessively and will cause loss of control.

Do not grind on the side of Type 1 abrasive cut off wheels. Side forces applied to these wheels may cause them to shatter.

Do not use this attachment with "Woodcarving" blade or standard wood cutting toothed blades. These blades are not intended for this tool and can create loss of control during use.

Abrasive Cut Off Wheels must have a maximum safe operating speed greater than the "no load RPM" marked on the attachment. Wheels running over the rated speed can fly apart and cause injury.

Before each use inspect the cut off wheel for chips and cracks. Do not use a wheel that may be damaged. Install a new wheel if tool was dropped. When installing a new wheel carefully handle individual cut off wheels to avoid chipping or cracking. Run the tool at no load for one minute, holding the tool in the direction away from people. Wheels with flaws will normally break apart during this time. Fragments from a wheel that bursts during operation will fly away at great velocity possibly striking you or bystanders.

Do not use a cut off wheel that is larger than the maximum recommended size for your tool, or worn down damaged wheels from larger abrasive cut off tools. Wheels intended for larger tools are not suitable for the higher speed of a smaller tool, these wheels may easily burst and the fragments strike you or bystanders.

Keep your body positioned to either side of the wheel, but not in line with the wheel. It is important to support the tool properly and to position your body such as to minimize body exposure from the possible wheel binding and the recoil of the tool.

Keep hands away from cutting area and wheel. Keep your second hand on auxiliary handle or the attachment. Hold the tool firmly to prevent loss of control. NEVER place your hand behind the wheel since the tool may recoil over your hand. Do not attempt to remove cut material when wheel is moving. If both hands are holding the tool, they cannot be cut by the wheel

Do not “jam” the abrasive wheel into the work, apply excessive pressure or attempt to use large depths of cut while using this tool. Let the rotating wheel do the work, Abrasive Cut Off Tools are intended to “cut” the material in a series of shallow depth of cuts. See the instructions for depth of cut later in this manual.

Avoid bouncing and snagging the wheel, especially when working corners, sharp edges etc. This can cause loss of control and tool's recoil.

Do not run the tool while carrying it at your side. Accidental contact with the spinning wheel could result in serious personal injury.

Never lay the tool down until the motor has come to a complete standstill. The spinning wheel can grab the surface and pull the tool out of your control.

Do not use the Zipmate near flammable materials. Sparks from the wheel could ignite these materials.

Never cut or attempt to cut magnesium with this attachment. The dust generated when cutting magnesium is highly flammable and may be explosive under certain conditions.

Regularly clean the tool's air vents by compressed air. Excessive accumulation of powdered metal inside the motor housing may cause electrical failures.

Causes and Operator Prevention of Recoil:

Recoil is a sudden reaction to a pinched, bound or misaligned rotating wheel. The wheel may stall and cause an uncontrolled tool to **back out** of the kerf toward the operator when the tool is in the “fire forward” position, if the tool is set in the “reverse fire” position the tool may tend to **walk away** from the operator. The rotation direction arrow located on the back side of the guard can be used to identify the “fire forward” and

“reverse fire” positions. The attachment is in the fire forward position when the directional arrow points toward the operator, and it is in the reverse fire position when the arrow is pointing away from the operator.

If an abrasive wheel or diamond wheel becomes twisted or misaligned in the cut, the side of the wheel that is entering into the material can dig into the top surface of the material causing the wheel to **climb out or recoil out** of the kerf either toward or away from the operator, depending on the **fire forward or reverse fire** orientation.

Abrasive wheels may also shatter under these conditions causing pieces or fragments to strike or impale the operator and bystanders. Recoil or shattered wheels are the result of tool misuse and/or incorrect operating procedures or conditions and can be avoided by taking proper precautions as given below:

Maintain a firm grip with both hands on the tool handles and position your body and arm to allow you to resist recoil forces. Recoil forces can be controlled by the operator, if proper precautions are taken.

When wheel is binding, or when interrupting a cut for any reason, slowly ease the wheel out of the material while maintaining a firm grip on the tool and auxiliary handle with both hands. Investigate and take corrective action to eliminate the cause of wheel binding.

When restarting a tool in a workpiece, center the wheel in the kerf and check that the sides of the wheel are not engaged into the material. If wheel is binding, it may walk up or *recoil* from the workpiece as the tool is restarted.

Support large panels to minimize the risk of wheel pinching and recoil. Large panels tend to sag under their own weight. Supports must be placed under the panel on both sides, near the line of cut and near the edge of the panel.

Use extra caution when making a “Pocket Cut” into existing walls or other blind areas. The protruding wheel may cut objects that can cause *recoil*.

▲ WARNING Some dust created by power sanding, sawing, grinding, drilling, and other construction activities contains chemicals known to cause cancer, birth defects or other

reproductive harm. Some examples of these chemicals are:

- Lead from lead-based paints,
- Crystalline silica from bricks and cement and other masonry products, and
- Arsenic and chromium from chemically-treated lumber.

Your risk from these exposures varies, depending on how often you do this type of work. To reduce your exposure to these chemicals: work in a well ventilated area, and work with approved safety equipment, such as those dust masks that are specially designed to filter out microscopic particles.

Battery/Charger

Before using battery charger, read all instructions and cautionary markings on (1) battery charger, (2) battery pack, and (3) product using battery.

Use only the charger which accompanied your product or direct replacement as listed in the catalog or this manual. Do not substitute any other charger. Use only Bosch approved chargers with your product. See Functional Description and Specifications.

Do not disassemble charger or operate the charger if it has received a sharp blow, been dropped or otherwise damaged in any way. Replace damaged cord or plugs immediately. Incorrect reassembly or damage may result in electric shock or fire.

Do not recharge battery in damp or wet environment. Do not expose charger to rain or snow. If battery case is cracked or otherwise damaged, do not insert into charger. Battery short or fire may result.

Charge only Bosch approved rechargeable batteries. See Functional Description and Specifications. Other types of batteries may burst causing personal injury and damage.

Charge battery pack in temperatures above +40 degrees F (4 degrees C) and below +105 degrees F (41 degrees C). Store tool and battery pack in locations

where temperatures will not exceed 120 degrees F (49 degrees C). This is important to prevent serious damage to the battery cells.

Battery leakage may occur under extreme usage or temperature conditions. Avoid contact with skin and eyes. The battery liquid is caustic and could cause chemical burns to tissues. If liquid comes in contact with skin, wash quickly with soap and water, then with lemon juice or vinegar. If the liquid contacts your eyes, flush them with water for a minimum of 10 minutes and seek medical attention.

Place charger on flat non-flammable surfaces and away from flammable materials when re-charging battery pack.

The charger and battery pack heat during charging. Carpeting and other heat insulating surfaces block proper air circulation which may cause overheating of the charger and battery pack. If smoke or melting of the case are observed unplug the charger immediately and do not use the battery pack or charger.

Use of an attachment not recommended or sold by Bosch may result in a risk of fire, electric shock or injury to persons.

Battery Care

⚠ WARNING When batteries are not in tool or charger, keep them away from metal objects. For example, to protect terminals from shorting **DO NOT** place batteries in a tool box or pocket with nails, screws, keys, etc. Fire or injury may result.

⚠ WARNING To prevent fire or injury when batteries are not in tool or charger, always place protective cap onto end of battery pack. Protective cap, guards against terminal shorting.

DO NOT PUT BATTERIES INTO FIRE OR EXPOSE TO HIGH HEAT. They may explode.

Battery Disposal

⚠ WARNING Do not attempt to disassemble the battery or remove any component projecting from the battery terminals. Fire or injury may result. Prior to disposal, protect exposed terminals with heavy insulating tape to prevent shorting.

NICKEL-CADMIUM BATTERIES

If equipped with a nickel-cadmium battery, the battery must be collected, recycled or disposed of in an environmentally sound manner.





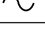
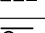
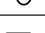




“The EPA certified RBRC Battery Recycling Seal on the nickel-cadmium (Ni-Cd) battery indicates Robert Bosch Tool Corporation is voluntarily participating in an

industry program to collect and recycle these batteries at the end of their useful life, when taken out of service in the United States or Canada. The RBRC program provides a convenient alternative to placing used Ni-Cd batteries into the trash or the municipal waste stream, which may be illegal in your area.

Please call 1-800-8-BATTERY for information on Ni-Cd battery recycling and disposal bans/restrictions in your area, or return your batteries to a Skil/Bosch/Dremel Service Center for recycling. Robert Bosch Tool Corporation's involvement in this program is part of our commitment to preserving our environment and conserving our natural resources.”

Symbols

IMPORTANT: Some of the following symbols may be used on your tool. Please study them and learn their meaning. Proper interpretation of these symbols will allow you to operate the tool better and safer.

| Symbol | Name | Designation/Explanation |
|---|---|---|
| V | Volts | Voltage (potential) |
| A | Amperes | Current |
| Hz | Hertz | Frequency (cycles per second) |
| W | Watt | Power |
| kg | Kilograms | Weight |
| min | Minutes | Time |
| s | Seconds | Time |
| ∅ | Diameter | Size of drill bits, grinding wheels, etc. |
| n_0 | No load speed | Rotational speed, at no load |
| .../min | Revolutions or reciprocation per minute | Revolutions, strokes, surface speed, orbits etc. per minute |
| 0 | Off position | Zero speed, zero torque... |
| 1, 2, 3, ... I, II, III, | Selector settings | Speed, torque or position settings. Higher number means greater speed |
|  | Infinitely variable selector with off | Speed is increasing from 0 setting |
|  | Arrow | Action in the direction of arrow |
|  | Alternating current | Type or a characteristic of current |
|  | Direct current | Type or a characteristic of current |
|  | Alternating or direct current | Type or a characteristic of current |
|  | Class II construction | Designates Double Insulated Construction tools. |
|  | Earthing terminal | Grounding terminal |
|  | Warning symbol | Alerts user to warning messages |
|  | Ni-Cad RBRC seal | Designates Ni-Cad battery recycling program |



This symbol designates that this tool is listed by Underwriters Laboratories.



This symbol designates that this tool is listed to Canadian Standards by Underwriters Laboratories.



This symbol designates that this tool complies to NOM Mexican Standards.



This symbol designates that this tool is listed by the Canadian Standards Association.



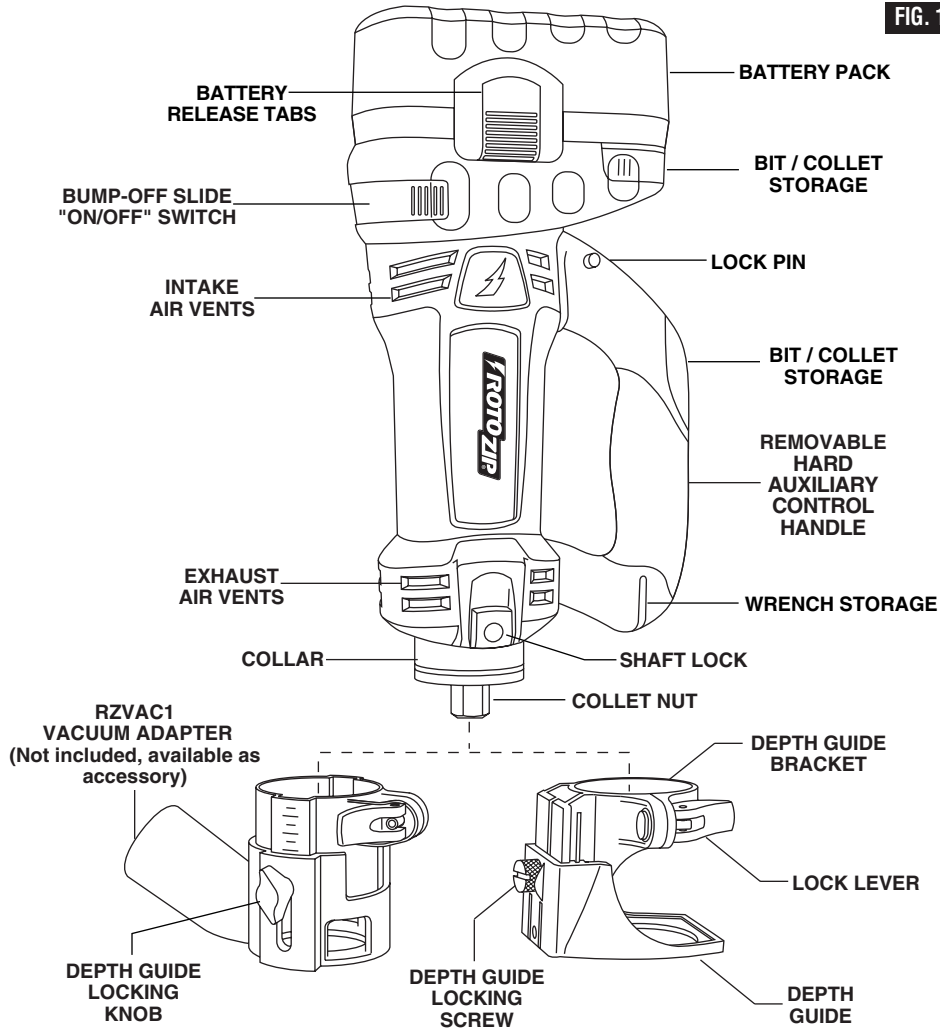
This symbol designates that this tool is listed by Underwriters Laboratories, and listed to Canadian Standards by Underwriters Laboratories.

Functional Description and Specifications

⚠ WARNING Disconnect battery pack from tool or place the switch in the locked or off position before making any assembly, adjustments or changing accessories. Such preventive safety measures reduce the risk of starting the tool accidentally.

Cordless Spiral Saw™

FIG. 1



Tool
 Model number RZ18V
 Voltage rating 18 V \equiv
 No load speed n_0 30,000/min

Charger
 BC003, 4, 6, BC016, BC130 & BC230
 Voltage rating 120 V \sim 60 Hz
 Battery pack BAT025, BAT026
 BAT180 & BAT181

BC006 charger requires 12 V DC input
NOTE: ONLY USE CHARGERS LISTED ABOVE

Assembly

⚠ WARNING **Disconnect battery pack from tool or place the switch in the locked or off position before making any assembly, adjustments or changing accessories.** Such preventive safety measures reduce the risk of starting the tool accidentally. Make certain that the collet nut is securely tightened before turning the tool on.

REMOVING AND INSTALLING THE DEPTH GUIDE ASSEMBLY

The depth guide assembly consists of the depth guide, locking screw and bracket.

In order to remove the depth guide from the tool, release the locking lever and pull the entire assembly straight off of the tool. To

reattach the assembly, fully replace the guide onto the tool collar and lock the clamp lever (Fig. 1).

REMOVING AND INSTALLING THE RZVAC1 VACUUM ADAPTER (Not included, available as accessory)

The vacuum adapter is sized to accept 1-1/4" vacuum hoses.

The vacuum adapter assembly consists of the vacuum adapter, locking knob and bracket.

In order to remove the vacuum adapter assembly from the tool, release the locking lever and pull the entire assembly straight off of the tool. To reattach the assembly, fully replace the vacuum adapter assembly onto the tool collar and lock the clamp lever (Fig. 1).

INSTALLING BITS (Standard models)

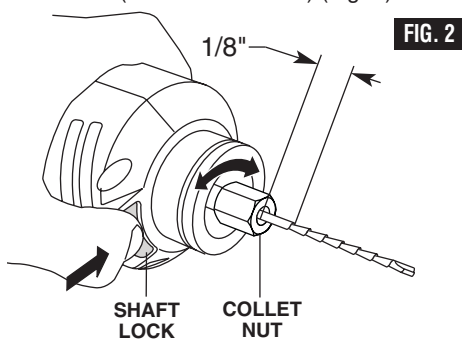
The bits are held by a collet system. Use either the 1/8" (.125"), 1/4" (.250") or 5/32" (.156") collet depending on the size of the bit shank.

⚠ WARNING The bit flutes are sharp and should be handled with caution.

Depress and hold the shaft-lock in and rotate the collet nut and shaft until the shaft-lock engages and holds the shaft.

⚠ CAUTION **To prevent damage to tool.** Never use the shaft lock as a braking device to stop the tool from rotating.

Use the standard equipment wrench to loosen nut (counter-clockwise) (Fig. 2).



Remove the old bit (if there is one) insert the new bit as far in as possible, but not so far that the bit flutes engage the collet (leave approximately 1/8" of shank exposed) Re-engage the shaft-lock and tighten the nut

(clockwise) by hand and then with the wrench until bit is held securely.

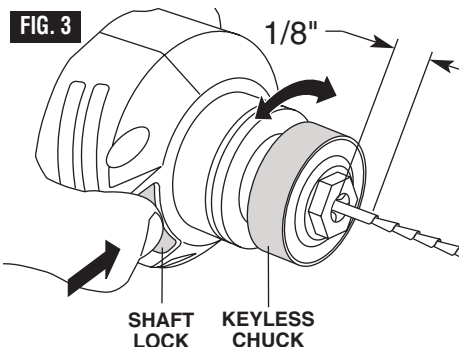
INSTALLING BITS (Keyless models) (Not included, available as accessory)

The bits are held by a keyless collet system designed specifically for spiral saw bits with 1/8" (.125"), 1/4" (.250") or 5/32" (.156") shanks.

Depress and hold the shaft-lock in and rotate the keyless chuck and shaft until the shaft-lock engages and holds the shaft.

Rotate the keyless chuck (counter-clockwise) (Fig. 3). Remove the old bit (if there is one) insert the new bit as far in as possible, but not so far that the bit flutes engage the jaws of the chuck (leave approximately 1/8" of shank exposed) Re-engage the shaft-lock and securely tighten the keyless chuck (clockwise) by hand.

Note: When using 1/4" & 5/32" bits it may be necessary to use a wrench on the front of the keyless chuck to securely tighten the bit.



CHANGING THE COLLET

The 1/8" collet is used with 1/8" diameter Zip bits, the 1/4" collet is used with 1/4" diameter Zip bits and the 5/32" collet is used with 5/32" diameter Zip bits. To change collets, first remove the bit. Continue to loosen and unscrew the collet nut until you can remove it from the tool. Remove the collet and replace it with the other (Fig. 4). (Each collet is double-ended, and either end is acceptable to use.) By hand, re-tighten the collet nut around the collet in a clockwise direction. You are now ready to insert a new bit as instructed in Installing Zip Bits (Fig. 2 or 3).

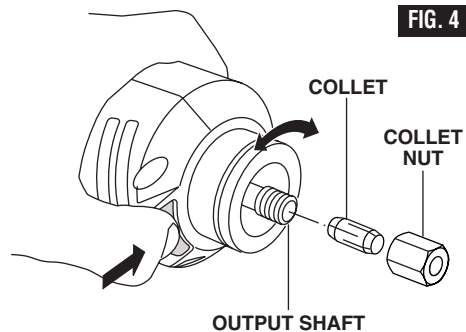


FIG. 4

REMOVING AND INSTALLING THE HARD AUXILIARY CONTROL HANDLE

Turn the tool OFF and remove battery pack. Firmly grasp the tool. Depress and hold lock pin from either side of the handle. While depressing the lock pin, depress release button so lock pin is engaged, then remove handle (Fig. 5).

With the lock pin engage, gently engage the two (2) front latches on handle into the tool and push handle until it snaps securely into place.

Your handle is equipped with a bit and collet storage area. To open door, pull tab on door downward away from tool. To close door, lift

door upward toward the tool. Be sure door is closed to prevent bits from falling out.

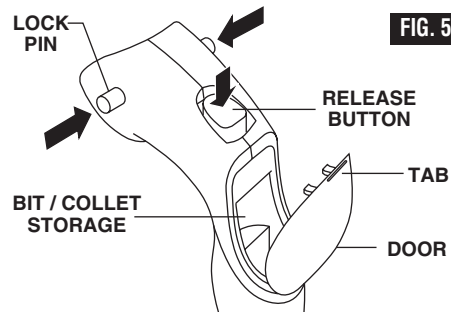


FIG. 5

Operating Instructions

BUMP-OFF SLIDE "ON/OFF" SWITCH

This tool is switched "ON" by the slide switch located on the front of the motor housing (Fig. 6).

TO TURN THE TOOL "ON" slide the switch button out to "I" position.

TO TURN THE TOOL "OFF" slide the switch button in to "0" position.

⚠ WARNING Hold the tool with both hands while starting, since torque from the motor can cause the tool to twist.

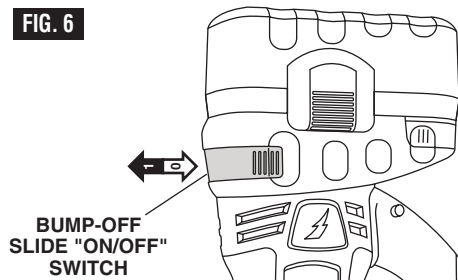
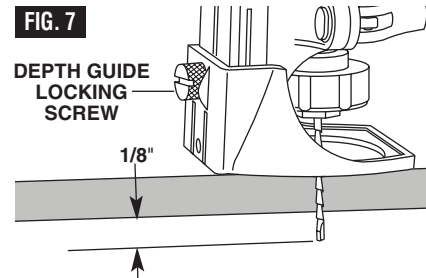


FIG. 6

DEPTH GUIDE ADJUSTMENT

Use the depth guide to adjust the depth of cut. Using the end of the standard wrench, loosen (counter clockwise) the screw enough to enable the depth guide to slide up or down to the desired depth of cut (about 1/8" greater than material thickness) and retighten the locking screw (clockwise) (Fig. 7).

**RELEASING AND INSERTING BATTERY PACK**

Release battery pack from tool by pressing on both sides of the battery release tabs and pull downwards. Before inserting battery pack, remove protective cap from battery pack. To

insert battery, align battery and slide battery pack into tool until it locks into position. Do not force.

CHARGING BATTERY PACK (30 MINUTE SINGLE BAY-BC130)**INDICATORS, SYMBOLS AND MEANING**

If the indicator lights are "OFF", the charger is not receiving power from power supply outlet.



If the green indicator light is "ON", the charger is plugged in but the battery pack is not inserted, or the battery pack is fully charged and is being trickle charged.



If the green indicator light is "BLINKING", the battery pack is being fast-charged. Fast-charging will automatically stop when the battery pack is fully charged.



If the red indicator light is "ON", the battery pack is too hot or cold for fast-charging. The charger will switch to trickle charge, until a suitable temperature is reached, at which time the charger will switch automatically to fast-charging.



If the red indicator light is "BLINKING", the battery pack cannot accept a charge or the contacts of the charger or battery pack are contaminated. Clean the contacts of the charger or battery pack only as directed in these operating instructions or those supplied with your tool or battery pack.

Plug charger cord into your standard power outlet. Before inserting battery pack, remove protective cap, then insert battery pack into charger (Fig. 8).

The charger's green indicator light will begin to "BLINK". This indicates that the battery is receiving a fast charge. Fast-charging will automatically stop when the battery pack is fully charged.

When the indicator light stops "BLINKING" (and becomes a steady green light) fast charging is complete.

The battery pack may be used even though the light may still be blinking. The light may

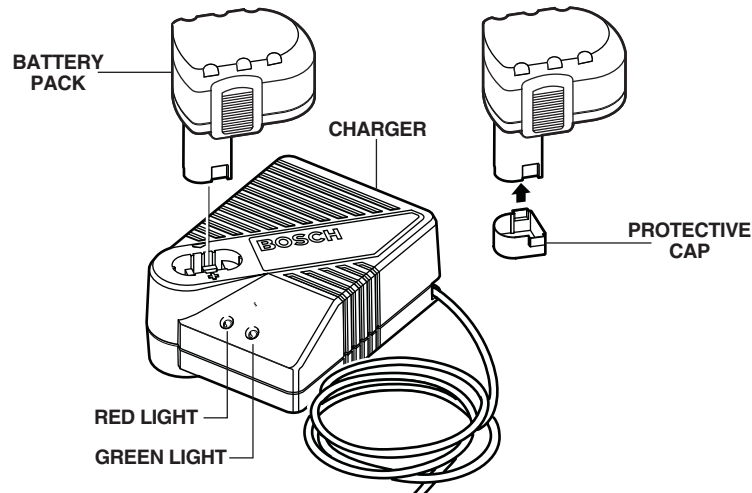
require more time to stop blinking depending on temperature. When you begin the charging process of the battery pack, a steady red light could also mean the battery pack is too hot or too cold.

The purpose of the green light is to indicate that the battery pack is fast-charging. It does not indicate the exact point of full charge. The light will stop blinking in less time if the battery pack was not completely discharged.

When charging several batteries in sequence, the charge time may slightly increase.

When the battery pack is fully charged, unplug the charger (unless you're charging another battery pack) and slip the battery pack back into the tool.

To prevent fire or injury when batteries are not in tool or charger, always place protective cap onto end of battery pack.



IMPORTANT CHARGING NOTES

1. The battery pack accepts only about 80% of its maximum capacity with its first few charge cycles. However, after the first few charge cycles, the battery will charge to full capacity.
2. The charger was designed to fast charge the battery only when the battery temperature is between 40°F (4°C) and 105°F (41°C).
3. A substantial drop in operating time per charge may mean that the battery pack is nearing the end of its life and should be replaced.
4. If you anticipate long periods (i.e. a month or more) of non-use of your tool, it is best to run your tool down until it is fully discharged before storing your battery pack. After a long period of storage, the capacity at first recharge will be lower. Normal capacity will be restored in two or three charge/discharge cycles.

Remember to unplug charger during storage period.

5. If battery does not charge properly:
 - a. Check for voltage at outlet by plugging in some other electrical device.
 - b. Check to see if outlet is connected to a light switch which turns power "off" when lights are turned off.
 - c. Check battery pack terminals for dirt. Clean with cotton swab and alcohol if necessary.
 - d. If you still do not get proper charging, take or send tool, battery pack and charger to your local Bosch Service Center. See "Tools, Electric" in the Yellow Pages for names and addresses.

Note: Use of chargers or battery packs not sold by Bosch will void the warranty.

MAKE A FEW PRACTICE CUTS

After installing the Zip Bit into the tool and adjusting your depth guide, you should make a few practice cuts with the tool before attempting an actual job.

A few exercises will give you the necessary practice to make clean, professional cuts.

Step 1

Make certain that the collet nut is securely tightened before turning the tool on.

Step 2

Hold the tool firmly and turn the tool ON.

IMPORTANT USER TIP

Step 3

While holding the tool firmly, insert the Zip Bit into the material at a 45° angle (Fig. 9).

Step 4

Slowly bring it to a 90° angle to begin the cut (Fig. 10). The base guide should be flush to the material surface. For all materials (EXCEPT cutting around outlet boxes in drywall), steer the tool in a clockwise direction with slow, steady pressure to make the cut.

Step 5

After completing your cut, turn off the tool and carefully remove it from the material.

Do not attempt to use this tool to make cut-outs around any fixture or opening which has live electrical wires, or any wall which may have live electrical wiring behind it, as the Zip Bit could conduct current to the tool, creating an electrocution hazard for the operator. Shut off breakers or remove fuses to disconnect the circuit. Always hold the tool by its thermoplastic housing, and always wear eye protection when operating a Spiral Saw power tool.

NOTE: Because of the rotating cutting action of the Zip Bit, there will be a slight pull when cutting. The slower you cut, the more control you have. Excessive pressure or fast cutting will cause excessive heat and may shorten the life of the Zip Bit.

NOTE: When cutting on a vertical surface, avoid ending your cut at the bottom of the hole. If possible, start and end your cut at the top so the scrap part will not drop onto the rotating Zip Bit. Turn the tool off and remove it from the material.

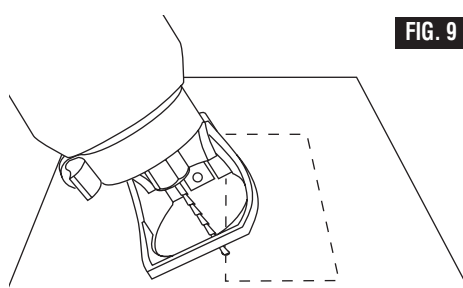


FIG. 9

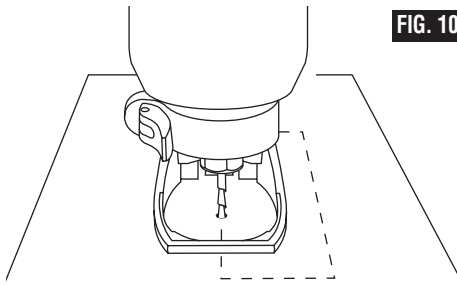


FIG. 10

MAKING DRYWALL CUT OUTS

After assembling the bit into the tool as described earlier, it will be necessary to review the instructions provided below and make some practice cut-outs with this tool before attempting an actual job. The best method is to take some scrap pieces and nail or screw them in place over wall studs which have an electrical box or other feature in place. A few such exercises will give you the necessary practice to make clean,

professional cutouts around whatever is behind the drywall you are installing.

⚠ WARNING Do not attempt to use this tool to make cut-outs around any fixture or opening which has live electrical wires, or on any wall which may have live electrical wiring behind it, as the bit could conduct current to the tool, creating an electrocution hazard for the operator. Shut off breakers or remove fuses to disconnect the circuit. Always hold

the tool by its thermoplastic housing, and always wear eye protection when operating this device.

Step 1: Be certain that the box or fixture which requires a cut-out is firmly mounted and all wires or other obstructions around the opening are pushed back out of the way. The drywall cut-out bit uses the outer edge of the box or fixture as a guide, so it is important that there is nothing in the way which can prevent it from guiding completely around the opening. For the purposes of this instruction manual, the procedure discussed will be to make a cut-out around a standard 2 1/8" x 3 3/4" electrical box.

Step 2

Slide switch to turn the tool on. While holding the Spiral Saw power tool firmly with both hands plunge the Zip Bit through the mark you made. Then guide the Zip Bit to the right until you feel and hear the Zip Bit touch the inside edge of the box.

Step 3

Pull the Zip Bit out far enough to slip it over the edge of the box so it is now against the outside of the box.

Step 4

While keeping the Zip Bit in contact with the outside of the box move the tool counter clockwise while applying light inward and upward pressure until you feel and hear it come to the corner. As you round the corner apply light pressure left and downward.

Step 5

While moving slowly and continuously along the top contour you will feel the Zip Bit come to the next corner. Round the corner and apply light down and inward pressure until the bottom corner is reached.

Step 6

Move the Zip Bit right and upward maintaining light continuous pressure toward the box.

Step 7

Round the right bottom corner and begin moving the bit upward while applying light pressure left toward the box until you meet initial upward cut. Push Spiral Saw power tool switch to off.

Step 8

The completed box, executed quickly, neatly and in a fraction of the time taken by other methods.

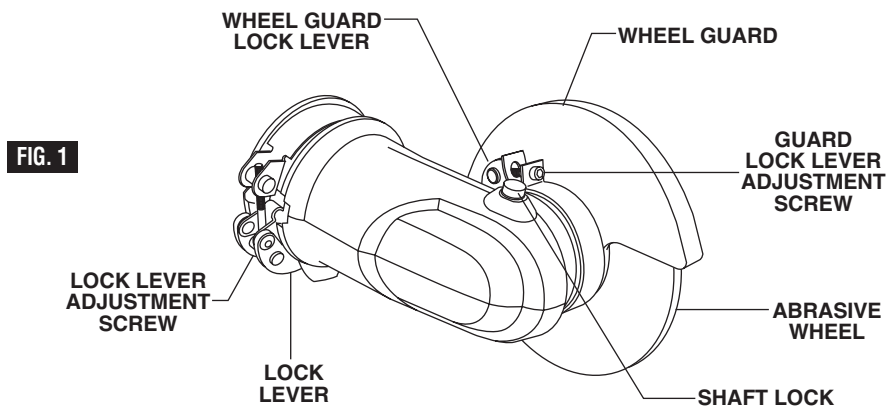
These step-by-step instructions are generalized to acquaint you with the Spiral Saw power tool operation. After some practice, you may develop a motion technique with which you are more comfortable. However, you must always begin the cut somewhat centrally, and MOVE THE SPIRAL SAW POWER TOOL ONLY COUNTERCLOCKWISE to take advantage of the "hugging" action of the rotating Zip Bit along the contours of the template. Remember to use a smooth continuous motion.

Functional Description and Specifications

⚠ WARNING Zipmate attachment must be used only with an hard auxiliary control side handle. Two handed control of solid gripping handles will provide sufficient control of the cutting wheel in case of recoil.

⚠ WARNING Disconnect battery pack from tool or place the switch in the locked or off position before making any assembly, adjustments or changing accessories. Such preventive safety measures reduce the risk of starting the tool accidentally.

Zipmate® Abrasive Cut Off Attachment



Recommended for use with: Rebel, Revolution, and all RZ model Spiral Saws.

⚠ WARNING Hard auxiliary control handle must be obtained for models RZ1 and RZ25. Call 1-877-ROTOZIP.

Note : The speed of your tool will be reduced 2 : 1 when using your Abrasive Cut-Off attachment.

Assembly

⚠ WARNING Always use auxiliary handle for maximum control over torque reaction or kick-back. Operation of the tool without the auxiliary handle could cause loss of control of the tool, resulting in possible serious personal injury.

REMOVING AND INSTALLING ABRASIVE CUT OFF ATTACHMENT

⚠ WARNING Disconnect battery pack from tool or place the switch in the locked or off position before making any assembly, adjustments or changing accessories. Such preventive safety measures reduce the risk of starting the tool accidentally. Make certain that the collet nut is securely tightened before turning the tool on.

1. Insert the 1/4" collet into the collet nut. Loosely thread the collet nut onto the output shaft (Fig. 2).

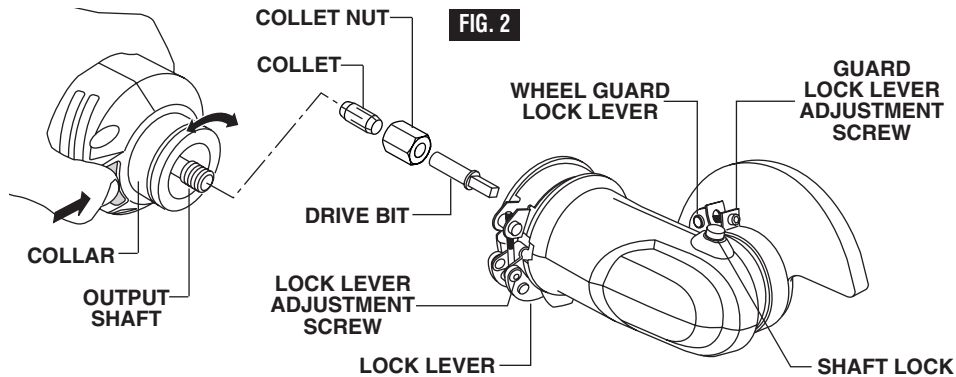
2. Insert drive bit into the collet until it stops, and securely tighten the collet nut with the wrench.

3. Open locking lever and position attachment onto the collar. Note: It may be necessary to rotate attachment slightly and hold both the tool and attachment shaft locks to engage square end of drive bit into attachment.

4. Position attachment as shown and lock the clamp lever.

Use the allen wrench to adjust the lock lever adjustment screw.

CAUTION Overtightening the lock lever adjustment screw can permanently damage the locking mechanism. Test the tightness of the lever after each full turn of the adjustment screw.



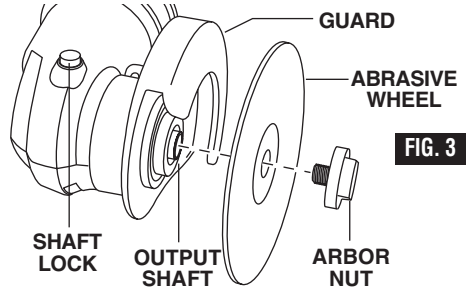
INSTALLING ABRASIVE WHEELS

Always use the arbor nut that has same thread size as the output shaft.

1. Install abrasive wheel onto output shaft.
2. Thread arbor nut provided onto output shaft finger tight, depress shaft lock and tighten wheel with the wrench provided (Fig. 3).

WARNING Do not overtighten. Cracks in the wheel can occur if overtightened. Use wrench provided with tool. Other wrenches may promote overtightening.

WARNING Do not depress shaft lock while the tool is running. Depressing the shaft lock may cause wheel to spin off or damage to attachment.



Operating Instructions

MAKING A CUT

1. Make sure material being cut is secured in a vise or fixture before attempting to cut.
2. Keep your body positioned to either side of the wheel, but not in line with wheel. It is important to support the tool properly and to position your body such as to minimize body exposure from possible wheel binding and recoil.
3. Grip the tool with both hands when cutting and always be ready and able to manage the cut.
4. Avoid jamming, twisting or pinching the wheel with the workpiece or otherwise applying excessive side pressure to the wheel.
5. Keep guard covering between wheel and user.
6. Make sure the guard lock lever is in the closed position and the guard is securely mounted to the attachment. Use the allen wrench to adjust the guard adjustment screw.
7. Maximum cutting depth is 11/16".

CAUTION Overtightening the guard adjustment screw can permanently damage the locking mechanism. Test the tightness of the lever after each full turn of the adjustment screw.

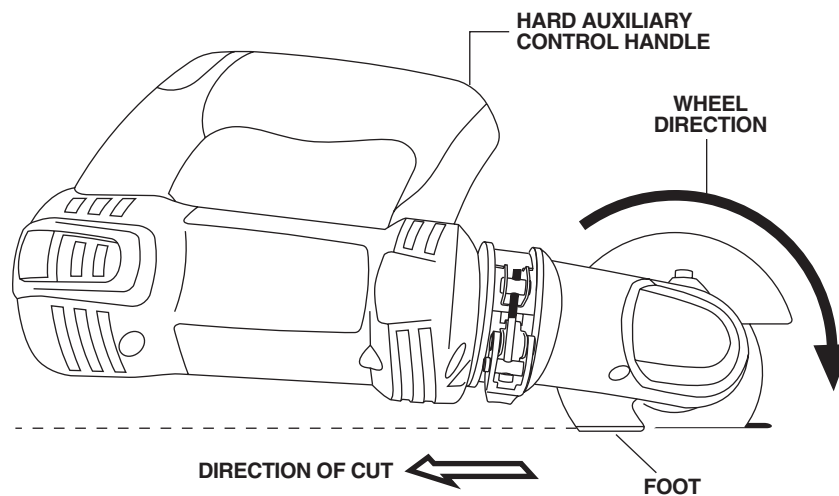
WARNING To prevent recoil and damage to the tool, always ensure that the inner or outer flanges never contacts the workpiece surface.

8. Generally, the harder the material being worked on, the faster the wheel will wear.

9. When cutting thicker material, never make the cut in one pass. Make successive passes until you reach desired depth.

10. When using the Diamond Wheel, do not make long, continuous cuts. Allow the blade to cool for approximately 10 seconds for each minute cutting.

FIG. 4



APPLICATIONS

This tool is intended for cutting the following materials.

1/8" maximum thick sheet steel.

Floor and wall tile.

Concrete cinder blocks and bricks.

Reinforcing rod-generally under 5/8" diameter.

1/8" concrete wire mesh.

Electrical conduit 1/8" wall thickness.

1/8" maximum thick structural forms such as: channels, angles, plate and etc.

ATTENTION: If you run the tool continuously for more than 5 minutes, it is normal for the housing to feel warm.

It is important to read and understand the section in this manual called "Causes and Operator Prevention of Recoil".

When making a cut in sheet metal, masonry, etc.: You may start your cut at the end of the piece or you can plunge cut somewhere in the body of the material.

In order to try to avoid recoil (a situation where the wheel wants to skip out of the material) it is recommended to make cuts in the same direction as the rotation of the wheel (Fig. 4).

Maintenance

Service

⚠ WARNING **NO USER SERVICEABLE PARTS INSIDE.** Preventive maintenance performed by unauthorized personnel may result in misplacing of internal wires and components which could cause serious hazard. We recommend that all tool service be performed by a Bosch Factory Service Center or Authorized Bosch Service Station. **SERVICEMEN:** Disconnect tool and/or charger from power source before servicing.

BATTERIES

Be alert for battery packs that are nearing their end of life. If you notice decreased tool performance or significantly shorter running time between charges then it is time to replace the battery pack. Failure to do so can cause the tool to operate improperly or damage the charger.

Long term battery storage should be in the discharged state. Battery packs last longer and re-charge better when they are stored discharged. Remember to fully re-charge battery packs before using after prolonged storage.

TOOL LUBRICATION

Your Bosch tool has been properly lubricated and is ready for use.

CHUCK LUBRICATION

The wrenchless chuck has been properly lubricated and is ready to use. If the chuck's jaws begin to stick during use, the chuck requires lubrication. To lubricate the chuck, first remove debris from the inside of the chuck with compressed air. Apply a pea-

sized amount of general-purpose grease to the sides of the jaws, and adjust the chuck through its full range of motion to distribute the grease.

D.C. MOTORS

The motor in your tool has been engineered for many hours of dependable service. To maintain peak efficiency of the motor, we recommend it be examined every six months. Only a genuine Bosch replacement motor specially designed for your tool should be used.

BEARINGS

Bearings which become noisy (due to heavy load or very abrasive material cutting) should be replaced at once to avoid overheating and motor failure.

Cleaning

⚠ WARNING **To avoid accidents, always disconnect the tool and/or charger from the power supply before cleaning.** The tool may be cleaned most effectively with compressed dry air. **Always wear safety goggles when cleaning tools with compressed air.**

Ventilation openings and switch levers must be kept clean and free of foreign matter. Do not attempt to clean by inserting pointed objects through opening.

⚠ CAUTION **Certain cleaning agents and solvents damage plastic parts.** Some of these are: gasoline, carbon tetrachloride, chlorinated cleaning solvents, ammonia and household detergents that contain ammonia.

Extension Cords

⚠ WARNING **If an extension cord is necessary, a cord with adequate size conductors that is capable of carrying the current necessary for your tool must be used.** This will prevent excessive voltage drop, loss of power or overheating. Grounded tools must use 3-wire extension cords that have 3-prong plugs and receptacles.

NOTE: The smaller the gauge number, the heavier the cord.

RECOMMENDED SIZES OF EXTENSION CORDS 120 VOLT ALTERNATING CURRENT TOOLS

| Tool's Ampere Rating | Cord Size in A.W.G. | | | | Wire Sizes in mm ² | | | |
|----------------------------|---------------------|----|-----|-----|-------------------------------|------|-----|-----|
| | Cord Length in Feet | | | | Cord Length in Meters | | | |
| | 25 | 50 | 100 | 150 | 15 | 30 | 60 | 120 |
| 3-6 | 18 | 16 | 16 | 14 | 0.75 | 0.75 | 1.5 | 2.5 |
| 6-8 | 18 | 16 | 14 | 12 | 0.75 | 1.0 | 2.5 | 4.0 |
| 8-10 | 18 | 16 | 14 | 12 | 0.75 | 1.0 | 2.5 | 4.0 |
| 10-12 | 16 | 16 | 14 | 12 | 1.0 | 2.5 | 4.0 | — |
| 12-16 | 14 | 12 | — | — | — | — | — | — |

Accessories & Attachments

WARNING Use only Robert Bosch Tool Corporation's recommended accessories with this tool. Accessories that may be suitable for one tool, may become hazardous when used on another tool.

Attachments that are compatible with Rotozip Spiral Saws are the following:
(Items may be sold separately)

| | |
|-------------------------------------|---------------|
| Zipmate abrasive Cut Off Attachment | Plunge Router |
| RZVAC1 Vacuum Adapter | Jigsaw Handle |
| Circle Cutting Guides | Flex Shaft |
| Straight Edge Guide | |

Zip® Bits

Robert Bosch Tool Corporation's patented line of versatile Zip Bits and accessories provide you with the flexibility to quickly move from one material to another and one job to another, without the hassle of changing tools.



| ZIP BIT CHART | SC5 | TC1 | DC1 | FBR1 | GP10 | ZB10 | WD1 |
|------------------------|-----|-----|-----|------|------|------|-----|
| Materials | | | | | | | |
| Acoustic Tile | ● | | | | | | |
| Acrylic | ● | | | | | | |
| Aluminum Siding | ● | | | | | | |
| Cement Board | | ● | ● | | | | |
| Ceramic Wall Tile | | | | | | | |
| Drywall | | | | | ● | ● | ● |
| Fiberglass | ● | | | | | | |
| Fiberock | | | | ● | | | |
| Foam Board | ● | | | | | | ● |
| Hardwood | ● | | | | | | |
| Laminates | ● | | | | | | |
| Lath | ● | | | | | | |
| Marble | ● | | | | | | |
| O.S.B. | ● | ● | | | | | |
| Plaster | ● | ● | ● | | | | |
| Plastics | ● | | | | | | |
| Plywood | ● | | | | | | |
| Solid Surface Material | ● | | | | | | |
| Stucco | | ● | ● | | | | |
| Underlayment | ● | | | | | | |
| Vinyl Siding | ● | | | | | | |
| Wood | ● | | | | | | |
| Wood Composites | ● | | | | | | |



**RZmas2
Masonry Cut-off Wheel**
For brick, cement, cinder block, concrete, stone, limestone, composition board, fiberglass, laminates.



**RZmet2
Metal Cut-off Wheel**
For ferrous metals, angle iron, gutters, iron, pipe, sheet metal, stainless steel.



**RZdia1
Dry Diamond Wheel**
For floor tile, concrete, stone, ceramic tile, and other very-hard non-metal material.

For a complete listing of Rotozip Accessories & Attachments, visit our Website www.rotozip.com

Consignes générales de sécurité

⚠ AVERTISSEMENT Veuillez lire et comprendre toutes les consignes. Si on n'observe pas toutes les consignes décrites ci-dessous, il y a risque de choc électrique, d'incendie et/ou de blessures corporelles graves. Dans toutes les mises en garde ci-dessous, le terme « outil électroportatif » se rapporte à des outils branchés sur le secteur (avec fil) ou à des outils alimentés par piles (sans fil).

CONSERVEZ CES CONSIGNES

Sécurité du lieu de travail

Maintenez le lieu de travail propre et bien éclairé. Les risques d'accident sont plus élevés quand on travaille dans un endroit encombré ou sombre.

N'utilisez pas d'outils électroportatifs dans des atmosphères explosives, comme par exemple en présence de gaz, de poussières ou de liquides inflammables. Les outils électroportatifs produisent des étincelles qui risquent d'enflammer les poussières ou les vapeurs.

Éloignez les enfants et les visiteurs quand vous vous servez d'un outil électroportatif. Vous risquez une perte de contrôle si on vous distrait.

Sécurité électrique

Les fiches des outils électroportatifs doivent correspondre à la prise. Il ne faut absolument jamais modifier la fiche. N'utilisez pas d'adaptateur de prise avec des outils électroportatifs munis d'une fiche de terre. Le risque de choc électrique est moindre si on utilise une fiche non modifiée sur une prise qui lui correspond.

Évitez tout contact du corps avec des surfaces reliées à la terre tels que tuyaux, radiateurs, gazinières ou réfrigérateurs. Le risque de choc électrique augmente si votre corps est relié à la terre.

N'exposez pas les outils électroportatifs à la pluie ou à l'humidité. Si de l'eau pénètre dans un outil électroportatif, le risque de choc électrique augmente.

Ne maltraitez pas le cordon. Ne vous en servez jamais pour transporter l'outil électroportatif, pour le tirer ou pour le débrancher. Éloignez le cordon de la chaleur, des huiles, des arêtes coupantes ou des pièces mobiles. Les cordons abîmés ou emmêlés augmentent les risques de choc électrique.

Si vous utilisez un outil électroportatif à l'extérieur, employez une rallonge conçue pour l'extérieur. Ces rallonges sont faites pour l'extérieur et réduisent le risque de choc électrique.

N'utilisez pas un outil conçu uniquement pour le C.A. sur une alimentation en C.C. Même si l'outil semble fonctionner, les composants électriques d'un outil prévu pour le C.A. tomberont probablement en panne et risquent de créer un danger pour l'utilisateur.

S'il est nécessaire d'utiliser l'outil dans un lieu humide, il faut l'alimenter par l'intermédiaire d'un disjoncteur différentiel de fuite à la terre (DDFT).

L'emploi d'un DDFT et de dispositifs de protection personnelle tels que gants et chaussures d'électricien en caoutchouc améliorent votre sécurité personnelle.

Sécurité personnelle

Restez concentré, faites attention à ce que vous faites, et servez-vous de votre bon sens lorsque vous utilisez un outil électroportatif. N'employez pas d'outils électroportatifs quand vous êtes fatigué ou sous l'emprise de drogues, d'alcool ou de médicaments. Quand on utilise des outils électroportatifs, il suffit d'un moment d'inattention pour causer des blessures corporelles graves.

Utilisez des équipements de sécurité. Portez toujours une protection oculaire. Si les conditions le demandent, il faut porter un masque à poussière, des chaussures de sécurité antidérapantes, un casque de chantier ou une protection auditive pour réduire le risque de blessure corporelle.

Évitez les démarrages intempestifs. Assurez-vous que l'interrupteur est en position arrêté (OFF) avant de brancher l'outil. Transporter un outil électroportatif avec le doigt sur la gâchette ou le brancher quand l'interrupteur est en position "marche" (ON) présente des risques d'accident.

Enlevez toutes les clés de réglage avant de mettre l'outil électroportatif en marche. Si on laisse une clé sur une pièce tournante de l'outil électroportatif, il y a risque de blessure corporelle.

Ne vous penchez pas. Conservez toujours une bonne assise et un bon équilibre. Ceci vous permettra de mieux maîtriser l'outil électroportatif dans des situations inattendues.

Habillez-vous de manière appropriée. Ne portez pas de vêtements amples ou de bijoux. Attachez les cheveux longs. N'approchez pas les cheveux, les vêtements ou les gants des pièces en mouvement. Les vêtements amples, les bijoux ou les cheveux longs risquent d'être happés par les pièces en mouvement.

Si l'outil est muni de dispositifs permettant le raccordement d'un système d'aspiration et de collecte des poussières, assurez-vous que ces dispositifs sont raccordés et utilisés correctement. L'utilisation de ces dispositifs peut permettre de réduire les dangers liés à la poussière.

Maintenez les poignées sèches et exemptes d'huile et de graisse. On ne peut pas maîtriser un outil électroportatif en toute sécurité quand on a les mains glissantes.

Utilisation et entretien des outils électroportatifs

Ne forcez pas sur l'outil électroportatif. Utilisez l'outil électroportatif qui convient à la tâche à effectuer. L'outil qui convient à la tâche fait un meilleur travail et est plus sûr à la vitesse pour lequel il a été conçu.

Ne vous servez pas de l'outil électroportatif si son interrupteur ne parvient pas à le mettre en marche ou à l'arrêter. Tout outil électroportatif qui ne peut pas être commandé par son interrupteur est dangereux et doit être réparé.

Débranchez la fiche de la prise ou enlevez le bloc-pile de l'outil électroportatif avant tout réglage, changement d'accessoires ou avant de ranger l'outil électroportatif. De telles mesures de sécurité préventive réduisent le risque de démarrage intempestif de l'outil électroportatif.

Rangez les outils électroportatifs dont vous ne servez pas hors de portée des enfants et ne permettez pas à des personnes qui ne connaissent pas l'outil électroportatif ou qui ignorent ces consignes de s'en servir. Les outils électroportatifs sont dangereux dans les mains d'utilisateurs inexpérimentés.

Entretenez les outils électroportatifs. Vérifiez que les pièces mobiles sont alignées correctement et ne coincent pas. Vérifiez qu'il n'y a pas de pièces cassées ou d'autre circonstance qui risquent d'affecter le fonctionnement de l'outil électroportatif. Si l'outil est abîmé, faites-le réparer avant de l'utiliser. De nombreux accidents sont causés par des outils électroportatifs mal entretenus.

Maintenez les outils coupants affûtés et propres. Les outils coupants entretenus correctement et dotés de bords tranchants affûtés sont moins susceptibles de coincer et sont plus faciles à maîtriser.

Utilisez l'outil électroportatif, les accessoires, les embouts etc. selon ces consignes et de la manière prévue pour chaque type particulier d'outil électroportatif en tenant compte des conditions de travail et de la tâche à accomplir. L'emploi d'outils électroportatifs pour des tâches différentes de celles pour lesquelles ils ont été prévus peut résulter en une situation dangereuse.

Utilisez des brides ou d'autres moyens pratiques de brider ou de supporter la pièce sur une plate-forme

stable. Tenir la pièce à la main ou contre le corps est instable et risque de résulter en une perte de contrôle.

Utilisation et entretien des outils à piles

Veillez à ce que l'interrupteur soit dans la position de fermeture avant d'insérer le bloc-piles. L'insertion d'un bloc-piles dans un outil électroportatif dont l'interrupteur est dans la position de marche est une invite aux accidents.

Rechargez les piles uniquement avec le chargeur spécifié par le fabricant. Un chargeur qui convient à un type de bloc-piles peut entraîner un risque d'incendie quand il est utilisé avec un autre bloc-piles.

Utilisez des outils alimentés par piles uniquement avec les blocs-piles spécifiquement désignés pour eux. L'utilisation de tout autre bloc-piles peut créer un risque de blessures et d'incendie.

Lorsque le bloc-piles n'est pas utilisé, gardez-le à distances d'autres objets métalliques tels que des trombones, des pièces de monnaie, des clés, des clous, des vis ou de tout autre objet métallique pouvant faire une connexion entre une borne et une autre. Court-circuiter les bornes des piles peut causer des brûlures ou un incendie.

Dans des conditions abusives, du liquide peut être éjecté de la pile ; dans un tel cas, évitez tout contact avec ce liquide. Si un contact se produit accidentellement, rincez avec de l'eau. Si le liquide entre en contact avec les yeux, consultez un médecin. Du liquide éjecté de la pile peut causer des irritations ou des brûlures.

Entretien

Faites réparer votre outil électroportatif par un agent de service qualifié n'utilisant que des pièces de rechange identiques. Ceci assure que la sécurité de l'outil électroportatif est préservée.

Créez un agenda d'entretien périodique pour votre outil. Quand vous nettoyez un outil, faites attention de n'en démonter aucune pièce car il est toujours possible de mal remonter ou de pincer les fils internes ou de remonter incorrectement les ressorts de rappel des capots de protection. Certains agents de nettoyage tels que l'essence, le tétrachlorure de carbone, l'ammoniac, etc. risquent d'abîmer les plastiques.

CONSERVEZ CES INSTRUCTIONS

Consignes de sécurité pour la scie Spiral Saw™

Tenez l'outil par les surfaces isolées de prise en exécutant une opération lorsque l'outil de coupe peut venir en contact avec des fils cachés. Le contact avec un fil sous tension rendra les parties métalliques exposées de l'outil sous tension et causera des secousses électriques à l'opérateur.

Utilisez des brides ou d'autres moyens pratiques de brider ou de supporter la pièce sur une plate-forme stable. Tenir la pièce à la main ou contre le corps est instable et risque de résulter en une perte de contrôle.

Pour couper dans des murs existants ou autres endroits aveugles pouvant dissimuler des fils électriques, débranchez tous les fusibles ou les disjoncteurs alimentant ce lieu de travail.

Assurez-vous toujours que la surface de travail est exempte de clous et autres objets étrangers. La coupe dans un clou peut faire sauter l'embout et l'outil, et ainsi abîmer l'embout.

Ne tenez jamais le matériau d'une main et l'outil de l'autre lorsque vous en faites usage. Ne placez jamais les mains sous la surface de coupe ou à proximité de celle-ci. Il est plus sûr de cramponner le matériau et de guider l'outil des deux mains.

Ne posez jamais le matériau sur des surfaces dures telles que le béton, la pierre, etc. L'embout de coupe en saillie peut faire sauter l'outil.

Portez toujours des lunettes de sécurité et un masque anti-poussières. N'utilisez l'outil qu'à un endroit bien aéré. L'utilisation de dispositifs de sécurité personnelle et le travail dans un environnement sûr réduisent les risques de blessures.

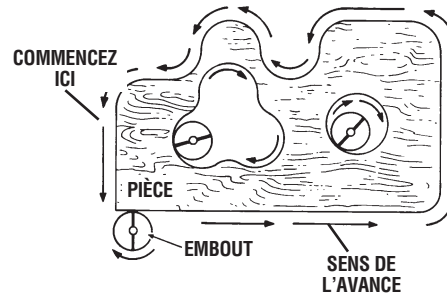
Après avoir changé les embouts ou effectué quelque réglage que ce soit, assurez-vous que l'écrou de la douille et tout autre dispositif de réglage sont bien serrés. Un dispositif de réglage lâche peut bouger soudainement et causer ainsi une perte de contrôle avec projection violente des composants en rotation.

Ne mettez jamais l'outil en marche alors que l'embout est enfoncée dans le matériau. Le tranchant de l'embout peut se coincer dans le matériau et vous faire perdre le contrôle du couteau.

Tenez toujours l'outil des deux mains durant la mise en marche. Le couple de réaction du moteur peut faire tordre l'outil.

Lors du toupillage ou du découpage, le sens de déplacement du tranchant de l'embout qui pénètre dans le matériau est important. Il faut toujours pousser l'embout dans le matériau dans le même sens que celui du bord tranchant qui quitte le matériau. Avec l'outil vu du dessus, l'embout tourne en sens horaire. Si l'outil se trouve entre vous et la pièce, poussez-le vers la droite. Si par contre la pièce se trouve entre vous et l'outil, poussez alors ce dernier

vers la gauche. Si vous poussez l'outil dans le mauvais sens, le bord tranchant de l'embout risque de grimper hors de la pièce et de tirer l'outil dans la direction de l'avance.



N'utilisez jamais d'embouts émoussés ou abîmés. Les embouts affilés doivent être maniés soigneusement. Les embouts abîmés peuvent se rompre brusquement durant l'usage. Les embouts émoussés nécessitent plus de force pour pousser l'outil, causant éventuellement un bris de l'embout.

Ne touchez jamais l'embout durant ou immédiatement après l'usage. Après usage, l'embout est trop chaud pour être touché à main nue.

Ne posez jamais l'outil avant que le moteur ne se soit arrêté complètement. L'embout en rotation peut saisir la surface et vous faire perdre le contrôle de l'outil.

N'utilisez jamais des embouts dont le diamètre de coupe est supérieur à celui de l'ouverture pratiquée dans la base.

N'utilisez pas l'outil pour percer. Cet outil n'est pas destiné à être utilisé avec des mèches de perceuse.

Utilisez toujours l'outil avec le guide de profondeur fixé solidement et placé à plat contre le matériau à couper. Le guide positionné solidement sur le matériau améliore la stabilité et le contrôle de votre outil.

Il ne faut jamais utiliser l'accessoire Zipmate sans la poignée de maintien auxiliaire dure. La poignée à bande souple ne permet pas de maîtriser suffisamment l'outil pendant le meulage.

AVERTISSEMENT Les travaux à la machine tel que ponçage, sciage, meulage, perçage et autres travaux du bâtiment peuvent créer des poussières contenant des produits chimiques qui sont des causes reconnues de cancer, de malformation congénitale ou d'autres problèmes reproductifs. Ces produits chimiques sont, par exemple :

- Le plomb provenant des peintures à base de plomb,
- Les cristaux de silices provenant des briques et du ciment et d'autres produits de maçonnerie, et

- L'arsenic et le chrome provenant des bois traités chimiquement.

Le niveau de risque dû à cette exposition varie avec la fréquence de ces types de travaux. Pour réduire l'exposition à ces produits chimiques, il faut travailler

dans un lieu bien ventilé et porter un équipement de sécurité approprié tel que certains masques à poussière conçus spécialement pour filtrer les particules microscopiques.

Consignes de sécurité pour l'accessoire de tronçonnage à meule Zipmate

Utilisez toujours le capot de meule ainsi que la poignée auxiliaire de l'outil avec cet outil à tronçonner à meule. Le protecteur doit toujours être fixé solidement à l'outil et positionné en vue d'une sécurité maximale de manière à exposer le moins possible de meule sur le côté opérateur de l'outil. Un protecteur protège l'opérateur contre les fragments brisés de meule. Les nervures de support et la poignée auxiliaire améliorent la protection, la stabilité et la maîtrise de l'outil lors des travaux de tronçonnage. Le corps de votre outil Rotozip ou celui de votre accessoire Zipmate peut aussi servir de poignée.

Assurez-vous toujours que le capot de meule et la poignée auxiliaire ont été remontés et fermement fixés sur l'outil quand vous changez de sens de rotation pour passer de l'éjection avant à l'éjection arrière ou après que vous ayez changé la meule. Un outil qui manque un composant de sécurité essentiel est dangereux à utiliser.

Tenez l'outil par les surfaces de préhension isolées en effectuant une opération au cours de laquelle les meules peuvent venir en contact avec des fils dissimulés ou avec le cordon de l'outil. Le contact avec un fil sous tension rendra les pièces métalliques exposées de l'outil sous tension et causera des chocs à l'opérateur.

Portez des vêtements appropriés lors de l'utilisation d'un outil à tronçonner à meule. Un écran facial ou, à tout le moins, des lunettes de sécurité, un masque antipoussières, des gants en cuir et un tablier d'atelier pouvant arrêter les petits fragments de meule ou d'ouvrage.

Cet accessoire n'est pas prévu pour être utilisé avec des meules diamants à eau. L'utilisation d'eau ou d'autres agents liquides de refroidissement avec cet outil peut provoquer une électrocution ou des chocs. L'utilisation de meules à diamant par voie sèche est acceptable.

Utilisez uniquement des meules de tronçonnage de type 1 avec le trou d'arbre de la dimension correcte. N'utilisez jamais des brides de meule abîmées ou incorrectes ou un écrou rond. Les autres types de meule ne sont pas destinés à appliquer la charge sur la périphérie et peuvent voler en éclats. Les meules avec trous d'arbre qui ne correspondent pas aux ferrures de montage de l'outil fonctionneront de manière

excentrique, vibreront excessivement et causeront une perte de contrôle.

Ne rectifiez pas sur le côté des meules de tronçonnage de type 1. Les forces latérales appliquées sur ces meules peuvent les faire voler en éclats.

N'utilisez pas cet accessoire avec une lame à sculpter le bois ou avec des lames à dents standard prévues pour scier du bois. Ces lames ne sont pas destinées à cet outil et peuvent provoquer une perte de contrôle en cours d'utilisation.

La vitesse maximale de fonctionnement sûr des meules de tronçonnage doit être supérieure à la vitesse à vide marquée sur la plaque signalétique de l'outil. Les meules qui fonctionnent à une vitesse supérieure à la vitesse prévue peuvent voler en éclats et causer des blessures.

Avant chaque usage, inspectez la meule de tronçonnage pour y relever tout éclat et fissure. N'utilisez pas une meule qui peut être abîmée. Posez une nouvelle meule si l'outil est tombé. Lors de la pose de la nouvelle meule, maniez soigneusement les meules de tronçonnage individuelles en vue d'éviter les éclats ou les fissures. **Faites fonctionner l'outil à vide pendant une minute, en tenant l'outil en sens opposé aux personnes présentes. Les meules présentant des défaillances voleront normalement en éclats durant cette période.** Les fragments d'une meule qui éclate durant le fonctionnement seront projetés à grande vitesse et pourraient vous frapper ou frapper des personnes présentes.

N'utilisez pas une meule de tronçonnage de dimensions supérieures aux dimensions maximales recommandées pour votre outil, ni des meules abîmées et usées provenant d'outils à tronçonner à meule de dimensions supérieures. Les meules destinées aux outils plus gros ne conviennent pas à la vitesse supérieure d'un outil plus petit ; ces meules peuvent facilement éclater et les fragments peuvent vous frapper ou frapper les personnes présentes.

Gardez votre corps placé d'un côté ou de l'autre de la meule, mais non dans le prolongement de celle-ci. Il est important de supporter l'outil adéquatement et de positionner votre corps de manière à minimiser l'exposition de votre corps à un éventuel grippage de la meule et au rebond de l'outil.

Tenez les mains à l'écart de l'aire de coupe et de la meule. Conservez votre seconde main sur la poignée auxiliaire ou sur l'accessoire. Tenez l'outil fermement afin de prévenir une perte de contrôle. Ne placez JAMAIS votre main derrière la meule étant donné que l'outil peut rebondir par-dessus votre main. Ne tentez pas de retirer le matériau coupé lorsque la meule se déplace. Si les deux mains tiennent l'outil, elles ne peuvent être coupées par la meule.

Ne coincez pas la meule dans l'ouvrage, n'exercez pas une pression excessive et ne tentez pas une coupe très profonde en utilisant cet outil. Laissez la meule en rotation faire l'ouvrage. Les outils à tronçonner à meule sont destinés à « couper » le matériau en une série de coupes peu profondes. Reportez-vous aux instructions concernant la profondeur de coupe plus loin dans ce manuel.

Évitez de faire rebondir et d'accrocher la meule, surtout lorsque vous travaillez des coins, des arêtes vives, etc. Ceci peut causer une perte de contrôle et un rebond de l'outil.

Ne faites pas fonctionner l'outil tout en le portant à votre côté. Un contact accidentel avec la meule en rotation peut causer des lésions graves.

Ne posez jamais l'outil avant que le moteur ne se soit arrêté complètement. La meule en rotation peut saisir la surface et vous faire perdre le contrôle de l'outil.

N'utilisez pas le Zipmate à proximité de matières inflammables. Les étincelles provenant de la meule pourrait allumer ces matériaux.

Il ne faut jamais couper ou tenter de couper du magnésium avec cet accessoire. La poussière produite durant la coupe de magnésium est très inflammable et peut être explosive dans certaines conditions.

Nettoyez régulièrement les prises d'air de l'outil à l'aide d'air comprimé. L'accumulation excessive de métal en poudre à l'intérieur du carter du moteur peut causer des défaillances électriques.

Causes du rebond et façons dont l'opérateur peut le prévenir :

Le rebond est une réaction soudaine à une meule en rotation pincée, grippée ou mal alignée. La meule peut se bloquer et faire sortir un outil non contrôlé hors du trait de scie en direction de l'opérateur lorsque l'outil est en position de « marche avant » ; si l'outil est mis en position de « marche arrière », l'outil peut avoir tendance à s'éloigner de l'opérateur. On peut se servir de la flèche du sens de marche située au dos du capot pour identifier les positions d'éjection des fragments vers l'avant ou vers l'arrière. L'accessoire est dans la position d'éjection vers l'avant quand la flèche du sens de marche est dirigée vers l'utilisateur et dans la position d'éjection vers l'arrière quand la flèche est dirigée à l'opposé de l'utilisateur.

Si une meule abrasive ou une meule à diamant devient tordue ou mal alignée dans la coupe, le côté de la meule

qui entre dans le matériau peut creuser dans la surface supérieure du matériau, ce qui fait remonter ou rebondir la meule hors du trait de scie soit en direction de l'opérateur ou en sens opposé à celui-ci, suivant l'orientation de marche avant ou de marche arrière.

Les meules abrasives peuvent également éclater dans ces conditions, l'opérateur et les personnes présentes pouvant être frappés ou empalés par les morceaux ou les fragments. Le rebond ou les meules éclatées résultent d'une mauvaise utilisation de l'outil et/ou de conditions ou de modes de fonctionnement incorrects et peuvent être évités en prenant les précautions appropriées comme indiqué ci-après :

Maintenez une prise ferme des deux mains sur les poignées de l'outil et positionnez votre corps et votre bras de manière à vous permettre de résister aux forces de rebond. Les forces de rebond peuvent être contrôlées par l'opérateur, si des précautions appropriées sont prises.

Si la meule se coince ou si vous interrompez une coupe, quelle qu'en soit la raison, enlevez doucement la meule de la pièce tout en tenant l'outil et la poignée auxiliaire fermement à deux mains. Faites enquête et prenez des mesures correctives pour éliminer la cause du grippage de la meule.

Lorsqu'un outil est remis en marche dans un ouvrage, centrez la meule dans le trait de scie et assurez-vous que les côtés de la meule ne sont pas engagés dans l'ouvrage. Si la meule grippe, elle peut remonter ou rebondir hors de l'ouvrage lorsque l'outil est remis en marche.

Supportez les grands panneaux afin de minimiser le risque de pincement de meule et de rebond. Les grands panneaux ont tendance à s'affaisser sous leur propre poids. Des supports doivent être placés sous le panneau des deux côtés, près de la ligne de coupe et près du bord du panneau.

Redoublez de prudence en effectuant une « coupe en poche » dans des murs existants ou autres endroits aveugles. La meule en saillie peut couper les objets qui peuvent causer un rebond.

AVERTISSEMENT Les travaux à l'outil tels que ponçage, sciage, meulage, perçage et autres travaux du bâtiment peuvent créer des poussières contenant des produits chimiques qui sont des causes reconnues de cancer, de malformation congénitale ou d'autres problèmes reproductifs. Ces produits chimiques sont, par exemple :

- Le plomb provenant des peintures à base de plomb,
- Les cristaux de silices provenant des briques et du ciment et d'autres produits de maçonnerie, et
- L'arsenic et le chrome provenant des bois traités chimiquement.

Le niveau de risque dû à cette exposition varie avec la fréquence de ces types de travaux. Pour réduire

l'exposition à ces produits chimiques, il faut travailler dans un lieu bien ventilé et porter un équipement de sécurité approprié tel que certains masques à poussière

conçus spécialement pour filtrer les particules microscopiques.

Chargeur de pile

Avant d'utiliser le chargeur de pile, lisez toutes les consignes et tous les marquages d'avertissement sur (1) le chargeur de pile, (2) le bloc-pile et (3) le produit utilisant la pile.

N'utilisez que le chargeur qui accompagnait votre produit ou remplacement direct, comme indiqué dans le catalogue ou ce manuel. Ne substituez aucun autre chargeur. N'utiliser que les chargeurs approuvés par Bosch avec votre produit. Voir Description fonctionnelle et Spécifications.

Ne désassemblez pas le chargeur et ne l'utilisez pas s'il a reçu un choc violent, s'il est tombé ou s'il a été endommagé par ailleurs. Remplacez immédiatement les cordons ou les fiches abîmés. Un remontage incorrect ou des dommages peuvent provoquer un incendie ou des secousses électriques.

Ne rechargez pas la pile dans un environnement mouillé ou humide. N'exposez pas le chargeur à la pluie ou la neige. Si le boîtier de la pile est fissuré ou endommagé par ailleurs, ne l'insérez pas dans le chargeur. Il pourrait y avoir un incendie ou un court-circuit de pile.

Ne charger que des piles rechargeables approuvées par Bosch. Voir Description fonctionnelle et Spécifications. Les autres types de piles peuvent éclater causant ainsi des blessures et des dommages.

Chargez le bloc-pile à des températures de plus de 4 degrés C (+40°F) et de moins de 41 degrés C

(+105°F). Rangez l'outil et le bloc-pile à des endroits dont la température ne dépasse pas 49 degrés C (+120°F). Ceci est important pour prévenir des dommages considérables aux éléments des piles.

Il peut y avoir une fuite de pile dans des conditions extrêmes d'utilisation ou de température. Évitez tout contact avec la peau et les yeux. Le liquide de pile est caustique et pourrait causer des brûlures chimiques aux tissus. Si le liquide vient en contact avec la peau, lavez rapidement à l'eau savonneuse, puis au jus de citron ou au vinaigre. Si le liquide vient en contact avec les yeux, rincez-les à l'eau pendant au moins 10 minutes et sollicitez des soins médicaux.

Posez le chargeur sur une surface plate inflammable et à distance de matériaux inflammables lorsqu'on recharge un bloc-piles. Le chargeur et le bloc-piles s'échauffent pendant la charge. Le coussinet de mousse souple et autres surfaces isolantes empêchent la circulation normale de l'air, ce qui peut provoquer une surchauffe du chargeur et du bloc-piles. S'il y a dégagement de fumée ou si le boîtier fond, débranchez le chargeur immédiatement et n'utilisez ni le chargeur, ni le bloc-piles.

L'utilisation d'un accessoire non recommandé ni vendu par Bosch peut causer des risques d'incendie, de chocs électriques ou de lésions corporelles.

Entretien des piles

⚠ AVERTISSEMENT Lorsque les piles ne sont pas dans l'outil ou le chargeur, gardez-les à l'écart d'objets métalliques. Ainsi, pour éviter un court-circuitage des bornes, **NE PLACEZ PAS** les piles dans la boîte à outils ou dans la poche avec des clous, des vis, des clés, etc. Ceci peut provoquer un incendie ou des blessures.

⚠ AVERTISSEMENT Afin d'éviter tout risque d'incendie ou de blessure lorsque les piles ne sont pas dans l'outil ou dans le chargeur, placez toujours un capuchon de sécurité sur l'extrémité du bloc-piles. Le capuchon de protection protège contre les courts circuits aux bornes.

NE METTEZ PAS LES PILES AU FEU ET NE LES EXPOSEZ PAS À UNE CHALEUR ÉLEVÉE. Elles peuvent exploser.

Mise au rebut des piles

AVERTISSEMENT Ne tentez pas de désassembler le bloc-piles ou d'enlever tout composant faisant saillie des bornes de piles, ce qui peut provoquer un incendie ou des blessures. Avant la mise au rebut, protégez les bornes exposées à l'aide d'un ruban isolant épais pour prévenir le court-circuitage.

PILES NICKEL-CADMIUM

Si le produit est équipé d'une pile nickel-cadmium, la pile doit être ramassée, recyclée ou mise au rebut d'une manière qui ne soit pas nocive pour l'environnement.



“Le sceau RBRC de recyclage des piles, homologué par l'EPA (Agence pour la protection de l'environnement des États-Unis), qui se trouve sur les piles au nickel-cadmium (Ni-Cd) indique que Robert Bosch Tool Corporation

participe volontairement à un programme industriel de ramassage et de recyclage de ces piles au terme de leur vie utile, pourvu qu'elles soient mises hors service aux États-Unis ou au Canada. Le programme du RBRC offre une alternative pratique à la mise des piles au Ni-Cd usées au rebut ou au ramassage d'ordures municipal, ce qui pourrait être interdit dans votre région.

Veuillez appeler le 1-800-8-BATTERY pour obtenir de plus amples renseignements sur le recyclage des piles au Ni-Cd et sur les restrictions ou interdictions de mise au rebut qui s'appliquent à votre région ou renvoyez vos piles à un Centre de Service Skil/Bosch/Dremel pour recyclage. La participation de Robert Bosch Tool Corporation à ce programme s'insère dans le contexte de notre engagement à préserver notre environnement et à conserver nos ressources naturelles.”

Symboles

IMPORTANT : Certains des symboles suivants peuvent être utilisés sur votre outil. Veuillez les étudier et apprendre leur signification. Une interprétation appropriée de ces symboles vous permettra d'utiliser l'outil de façon plus efficace et plus sûre.

| Symbole | Nom | Désignation/Explication |
|---------------------------------|--|---|
| V | Volts | Tension (potentielle) |
| A | Ampères | Courant |
| Hz | Hertz | Fréquence (cycles par seconde) |
| W | Watt | Puissance |
| kg | Kilogrammes | Poids |
| min | Minutes | Temps |
| s | Secondes | Temps |
| ∅ | Diamètre | Taille des mèches de perceuse, meules, etc. |
| n_0 | Vitesse à vide | Vitesse de rotation, à vide |
| .../min | Tours ou mouvement alternatif par minute | Tours, coups, vitesse en surface, orbites, etc., par minute |
| 0 | Position d'arrêt | Vitesse zéro, couple zéro ... |
| 1, 2, 3, ... I, II, III, ... | Réglages du sélecteur | Réglages de vitesse, de couple ou de position. Un nombre plus élevé signifie une vitesse plus grande. |
| | Sélecteur variable à l'infini avec arrêt | La vitesse augmente depuis le réglage 0 |
| | Flèche | Action dans la direction de la flèche |
| | Courant alternatif | Type ou caractéristique du courant |
| | Courant continu | Type ou caractéristique du courant |
| | Courant alternatif ou continu | Type ou caractéristique du courant |
| | Construction classe II | Désigne des outils construits avec double isolation |
| | Borne de terre | Borne de mise à la terre |
| | Symbole d'avertissement | Alerte l'utilisateur aux messages d'avertissement. |
| | Sceau Ni-Cad RBRC | Désigne le programme de recyclage des piles Ni-Cad. |



Ce symbole signifie que cet outil est approuvé par Underwriters Laboratories.



Ce symbole signifie que cet outil est approuvé conformément aux normes canadiennes par Underwriters Laboratories.



Ce symbole signifie que cet outil se conforme aux normes mexicaines NOM.



Ce symbole signifie que cet outil est approuvé par l'Association canadienne de normalisation.



Ce symbole signifie que cet outil est approuvé par Underwriters Laboratories et qu'il a été homologué selon les normes canadiennes par Underwriters Laboratories.

Description fonctionnelle et spécifications

AVERTISSEMENT Débranchez le bloc-pile de l'outil ou placez l'interrupteur à la position de blocage ou d'arrêt avant d'effectuer tout assemblage ou réglage ou de changer les accessoires. Ces mesures de sécurité préventives réduisent le risque d'une mise en marche accidentelle de l'outil.

Scie Spiral Saw™ sans fil

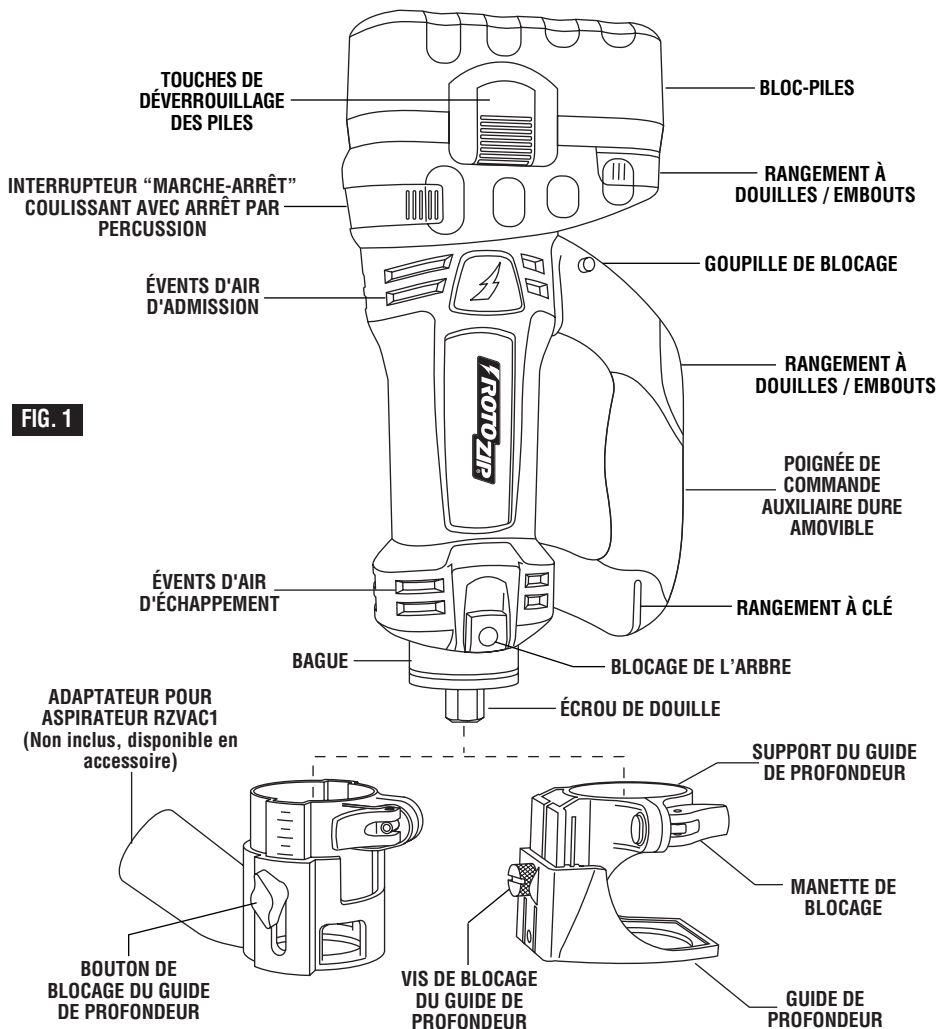


FIG. 1

Outil
 Numéro de modèle RZ18V
 Tension nominale 18 V \equiv
 Régime à vide n_0 30 000/min

Chargeur
 BC003, 4, 6, BC016, BC130 et BC230
 Tension nominale 120 V \sim 60 Hz
 Bloc piles BAT025 BAT026
 BAT180 et BAT181

Le chargeur BC006 nécessite une puissance d'alimentation de 12 V CC.

NOTE : N'UTILISER QUE LES CHARGEURS REPERTORIES CI-DESSUS

Assemblage

⚠ AVERTISSEMENT Débranchez le bloc-pile de l'outil ou placez l'interrupteur à la position de blocage ou d'arrêt avant d'effectuer tout assemblage ou réglage ou de changer les accessoires. Ces mesures de sécurité préventives réduisent le risque d'une mise en marche accidentelle de l'outil. Assurez-vous que l'écrou de douille est serré solidement avant de mettre l'outil en marche.

DÉMONTAGE ET REMONTAGE DE L'ENSEMBLE DU GUIDE DE PROFONDEUR

L'ensemble du guide de profondeur comprend le guide de profondeur, le vis de blocage et le support.

Pour démonter le guide de profondeur de l'outil, desserrez la manette de blocage et sortez l'ensemble au complet de l'outil en tirant tout droit. Pour le

remonter, replacez le guide bien à fond sur la bague de l'outil et bloquez la manette de serrage (Fig. 1).

DÉMONTAGE ET REMONTAGE DE L'ADAPTATEUR POUR ASPIRATEUR RZVAC1 (non inclus, disponible en accessoire)

L'adaptateur pour aspirateur est prévu pour être compatible avec les tuyaux d'aspiration de 1-1/4 po.

L'ensemble d'adaptateur pour aspirateur comprend l'adaptateur pour aspirateur, le bouton de blocage et le support.

Pour démonter l'adaptateur pour aspirateur de l'outil, desserrez la manette de blocage et sortez l'ensemble au complet de l'outil en tirant tout droit. Pour le remonter, replacez l'adaptateur pour aspirateur bien à fond sur la bague de l'outil et bloquez la manette de serrage (Fig. 1).

MONTAGE DES EMBOUTS (Modèles standard)

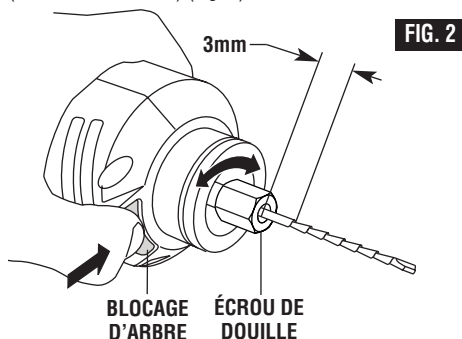
Les embouts sont maintenus par un système de douille. Utilisez la douille de 1/8 po (0,125 po), 1/4 po (0,250 po) ou 5/32 po (0,156 po) suivant le diamètre de la queue de l'embout.

⚠ AVERTISSEMENT Les cannelures des mèches sont vives et doivent être maniées soigneusement.

Appuyez sur le blocage de l'arbre et maintenez-le enfoncé, puis tournez l'écrou de douille jusqu'à ce que le blocage de l'arbre s'enclenche et bloque l'arbre.

⚠ MISE EN GARDE Pour éviter que l'outil ne soit endommagé, ne l'empêchez jamais de pivoter en vous servant du blocage d'arbre comme d'un dispositif de freinage.

Utilisez la clé livrée en standard pour desserrer l'écrou (en sens anti-horaire) (Fig. 2).



Enlevez l'embout existant (s'il y en a un) et enfoncez le nouvel embout aussi profondément que possible sans toutefois que ses cannelures ne pénètrent dans la douille (laissez la queue dépasser d'environ 1/8 po). Ré-enclenchez le blocage de l'arbre et serrez l'écrou

(sens horaire) à la main puis avec la clé jusqu'à ce que l'embout soit fermement serré.

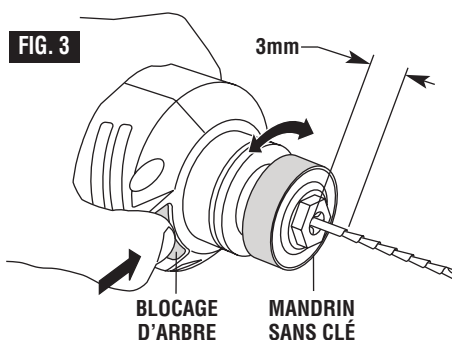
MONTAGE DES EMBOUTS (Modèles sans clé)

Les embouts sont tenus par un système de douille sans clé conçu spécifiquement pour les embouts de scie spirale avec queue de 1/8 po (0,125 po), 1/4 po (0,250 po) ou 5/32 po (0,156 po).

Enfoncez et maintenez le blocage d'arbre puis tournez le mandrin sans clé et l'arbre jusqu'à ce que le blocage d'arbre s'enclenche et empêche l'arbre de tourner.

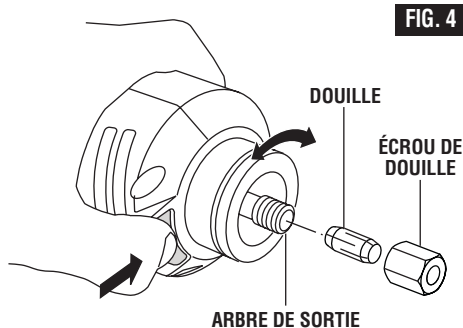
Tournez le mandrin sans clé (en sens anti-horaire) (Fig. 3). Enlevez l'embout existant (si un est présent) et enfoncez le nouvel embout aussi profond que possible mais pas au point que ses cannelures pénètrent dans les mors du mandrin. (Laissez la queue dépasser d'environ 1/8 po). Appuyez à nouveau sur le blocage d'arbre et serrez fermement le mandrin sans clé (en sens horaire) à la main.

Remarque: Quand on utilise des embouts d'1/4 po et 5/32 po, il se peut qu'il soit nécessaire d'utiliser une clé sur la partie frontale du mandrin sans clé afin de pincer fermement l'embout.



CHANGEMENT DU DOUILLE

Le douille de 1/8 po (0,125 po) s'utilise avec les embouts Zip de 1/8 po (0,125 po), le douille de 1/4 po (0,250 po) s'utilise avec les embouts Zip de 1/4 po (0,250 po) et le mors de 5/32 po (0,156) po s'utilise avec les embouts Zip de 5/32 po (0,156) po. Pour changer le douille, commencer par retirer l'embout Zip. Continuer ensuite de dévisser l'écrou de douille jusqu'à ce qu'il se détache de l'appareil. Retirer le douille et le remplacer par l'autre (Fig. 4). (Les deux mors sont réversibles et s'utilisent indifféremment dans un sens comme dans l'autre.) Serrer à nouveau l'écrou sur le douille en le tournant à droite avec ses doigts. On peut maintenant y introduire un embout Zip de la manière indiquée à la montage des embouts (Fig. 2 ou 3).

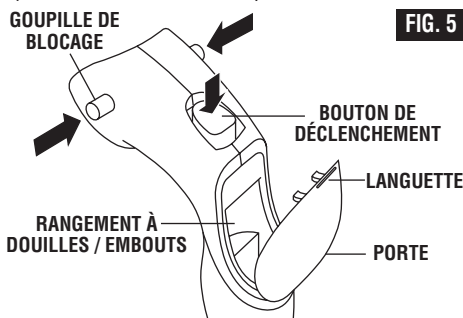
**FIG. 4****DÉMONTAGE ET MONTAGE DE LA POIGNÉE DE COMMANDE AUXILIAIRE DURE**

Arrêtez l'outil et retirez le bloc-piles. Saisissez l'outil fermement. Appuyez sur la goupille de blocage d'un côté ou de l'autre de la poignée. Tout en appuyant sur la goupille de blocage, appuyez sur le bouton de déclenchement de façon à engager la goupille, puis enlevez la poignée (Fig. 5).

Une fois la goupille engagée, enclenchez doucement les deux loquets frontaux de la poignée dans l'outil et poussez sur la poignée jusqu'à ce qu'elle s'enclenche fermement à sa place.

Votre outil est muni d'un rangement à douilles et à embouts. Pour ouvrir la porte du rangement, tirez vers le bas sur le loquet de la porte pour l'éloigner de

l'outil. Pour la fermer, soulevez la porte en direction de l'outil. Veillez à ce que la porte soit fermée pour que les embouts ne tombent pas.

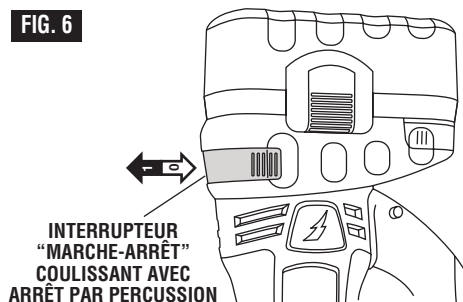
**FIG. 5****Consignes de fonctionnement****INTERRUPTEUR "MARCHE-ARRÊT" COULISSANT AVEC ARRÊT PAR PERCUSSION**

Cet outil se met en marche à l'aide de l'interrupteur à glissière situé à l'avant du carter du moteur (Fig. 6).

POUR METTRE L'OUTIL EN MARCHE, faites glisser le bouton de l'interrupteur vers la position « I ».

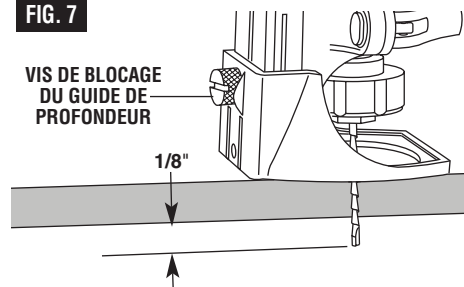
POUR METTRE L'OUTIL À L'ARRÊT, faites glisser le bouton de l'interrupteur vers la position « 0 ».

⚠ AVERTISSEMENT Tenez l'outil des deux mains durant la mise en marche étant donné que le couple du moteur peut faire tordre l'outil.

FIG. 6

AJUSTEMENT À L'AIDE DU GUIDE DE PROFONDEUR

Utilisez le guide de profondeur pour ajuster la profondeur de la coupe. En se servant de l'extrémité de la clé, desserrer (tourner à gauche) la vis juste assez pour permettre à la base de glisser jusqu'à la profondeur de coupe désirée. (environ 1/8" de plus que l'épaisseur du matériau) et resserrez le vis de blocage (en sens horaire) (Fig. 7).

FIG. 7**DÉPOSE ET REPOSE DU BLOC-PILES**

Enlevez le bloc-piles de l'outil en pinçant les deux côtés à la hauteur des touches de déverrouillage et en le tirant vers le bas. Avant d'introduire le bloc-piles, retirez le capuchon de protection de celui-ci. Pour

remettre le bloc dans l'outil, glissez-le dans l'ouverture jusqu'à ce qu'il se verrouille en place. Ne forcez pas outre mesure.

CHARGEMENT DU BLOC-PILES (30 MN, UNE BAIE – BC130)**TÉMOINS, SYMBOLES ET SIGNIFICATION**

Si le témoin lumineux vert est éteint, ceci signifie que le chargeur ne reçoit pas de courant de la prise de courant.



Si le voyant vert s'allume, le chargeur est branché mais le bloc-piles n'est pas en place ou le bloc-piles est pleinement chargé et ne reçoit qu'une charge de maintien.



Si le voyant vert « CLIGNOTE » pendant la charge rapide du bloc-piles. La charge rapide prend automatiquement fin dès que le bloc-piles est totalement chargé.



Si le voyant rouge est allumé, le bloc-piles est trop chaud ou trop froid pour prendre la charge rapide. Le chargeur adoptera la charge de maintien jusqu'à ce que la température se normalise, alors qu'il passera automatiquement à la charge rapide.



Si le voyant rouge « CLIGNOTE », cela signifie que le bloc-piles ne peut pas accepter une charge ou que les contacts du chargeur ou du bloc-piles sont souillés. Nettoyez les contacts du chargeur ou du bloc-piles conformément aux recommandations des présentes instructions ou celles qui accompagnaient l'outil ou le bloc-piles.

Branchez le cordon du chargeur dans votre prise de courant standard. Avant d'introduire le bloc-piles, retirez le capuchon de protection et introduisez le bloc-piles dans le chargeur (Fig. 8).

Le témoin vert du chargeur commencera à CLIGNOTER, ce qui indique que la pile reçoit une charge rapide. La charge rapide s'arrêtera automatiquement lorsque le bloc-pile est à pleine charge.

Lorsque le témoin lumineux cesse de clignoter (et devient vert en continu), ceci signifie que la charge rapide est terminée.

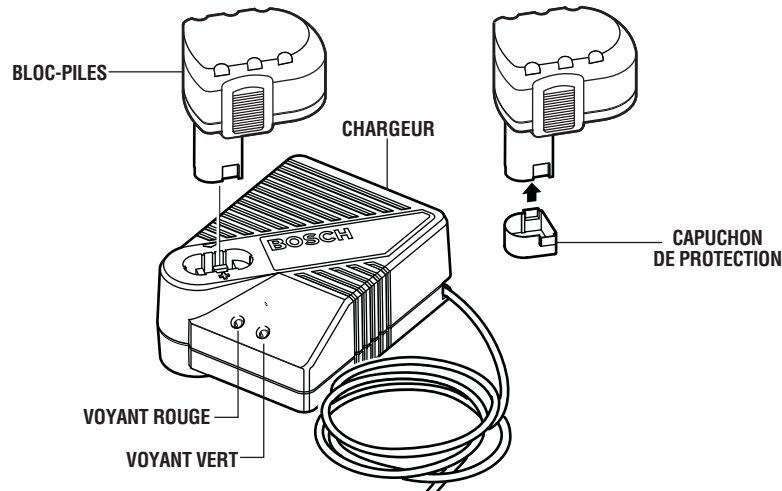
On peut utiliser le bloc-pile même si le témoin clignote encore. Il peut falloir plus de temps pour que le témoin cesse de clignoter, suivant la température. Lorsque vous commencez le processus de charge du bloc-pile, un témoin rouge continu pourrait également signifier que le bloc-pile est trop chaud ou trop froid.

Le témoin vert a pour but d'indiquer que le bloc-pile est en charge rapide. Il n'indique pas le point exact de pleine charge. Le témoin cessera de clignoter en moins de temps si le bloc-pile n'était pas entièrement déchargé.

Lorsque plusieurs piles sont chargées l'une après l'autre, le temps de charge peut augmenter légèrement.

Lorsque le bloc-pile est entièrement chargé, débranchez le chargeur (à moins que vous ne chargiez un autre bloc-pile) et insérez le bloc-pile dans l'outil.

Afin d'éviter tout risque d'incendie ou de blessure lorsque les piles ne sont pas dans l'outil ou dans le chargeur, placez toujours un capuchon de sécurité sur l'extrémité du bloc-piles.



REMARQUES IMPORTANTES CONCERNANT LA CHARGE

1. Lors des premiers cycles de charge, le bloc-piles neuf n'absorbe que 80 % de sa capacité maximale. Par la suite, cependant, les piles se chargeront à pleine capacité.
2. De même, le chargeur n'est destiné qu'à la charge rapide des bloc-piles dont la température se situe entre 4°C (40°F) et 41°C (105°F).
3. Une diminution marquée de la réserve énergétique entre les charges peut signaler l'épuisement du bloc-piles et le besoin d'un remplacement.
4. Si vous prévoyez de longues périodes (à savoir, un mois ou plus) de non-utilisation de votre outil, il est préférable d'utiliser votre outil jusqu'à ce que sa pile soit entièrement déchargée avant de remettre votre bloc-pile. Après une longue période de remisage, la capacité sera réduite à la première recharge. La capacité normale sera rétablie en deux ou trois cycles de charge/décharge. N'oubliez pas de débrancher le chargeur durant la période de remisage.
5. Si le bloc-piles ne se charge pas normale-ment :
 - a. Vérifiez la présence de courant à la prise en y branchant un autre appareil électrique.
 - b. Vérifiez si la prise n'est pas raccordée conjointement à un interrupteur qui servirait à éteindre les lumières.
 - c. Vérifiez la propreté des bornes du bloc-piles. Nettoyez-les au besoin avec un bâtonnet imbibé d'alcool.
 - d. Si vous n'arrivez toujours pas à obtenir la charge satisfaisante, confiez l'outil, le bloc-piles et le chargeur à votre centre d'entretien Bosch habituel. Voir les noms et adresses des centres d'entretien sous la rubrique « Outils électriques » dans les pages jaunes de l'annuaire de téléphone.

Remarque : L'utilisation de chargeurs ou de bloc-piles non vendus par Bosch annule la garantie.

EXÉCUTER DES COUPES D'ESSAI

Après avoir installé l'embout Zip dans l'appareil et ajusté le guide de profondeur, exécuter quelques coupes d'essai avant d'amorcer de vrais travaux.

Ces quelques exercices vous donneront l'expérience requise pour réaliser des coupes nettes d'aspect professionnel.

Étape 1

Avant d'allumer l'appareil, s'assurer que l'écrou de mors est serré solidement.

Étape 2

Tenir fermement l'outil et le mettre EN MARCHÉ.

IMPORTANT CONSEIL POUR L'UTILISATEUR

Étape 3

Tenir solidement l'appareil et entamer le matériau avec l'embout Zip à un angle de 45° (Fig. 9).

Étape 4

Redresser doucement l'outil pour amorcer la coupe (Fig. 10). Le guide de coupe doit se trouver à ras avec la surface du matériau. Pour tous les matériaux (SAUF pour tailler dans de la plaque de plâtre autour d'une boîte de raccordement), diriger l'outil dans le sens des aiguilles d'une horloge en exerçant une pression lente et uniforme.

Étape 5

Après avoir exécuté la coupe, éteindre l'appareil et le dégager doucement du matériau.

Ne pas employer cet appareil pour réaliser des découpages autour d'appareils ou d'ouvertures comportant des fils électriques sous tension ou dans des parois derrière lesquelles de tels fils pourraient se trouver, car l'embout Zip assurerait la conduction du courant vers l'appareil et mettrait l'utilisateur à risque de subir un choc électrique. Couper le courant alimentant ces fils à l'aide des fusibles ou des disjoncteurs. Toujours tenir l'appareil par son boîtier thermoplastique et toujours porter une protection des yeux pour employer une scie mécanique à spirale.

REMARQUE : En raison de la rotation de l'embout Zip, l'utilisateur ressentira une légère traction en taillant. Plus l'utilisateur exécute la coupe lentement, plus il pourra exercer de maîtrise. Une pression trop grande ou une exécution trop rapide causera un excès de chaleur qui pourrait réduire la longévité de l'embout Zip.

REMARQUE : Lors de l'exécution de coupes dans une surface verticale, éviter de terminer l'opération au bas de l'ouverture. Dans la mesure du possible, débiter et terminer la coupe en haut afin d'éviter que la retaille ne chute sur l'embout Zip en rotation. Éteindre ensuite l'appareil et le dégager du matériau.

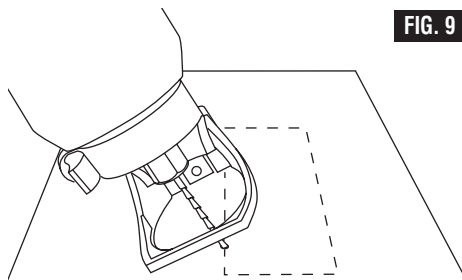


FIG. 9

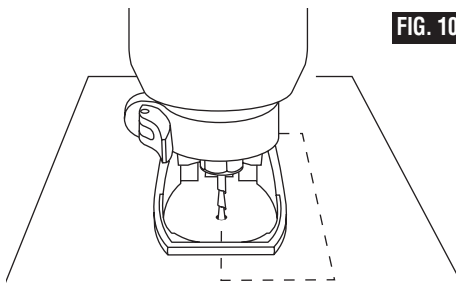


FIG. 10

DÉCOUPAGES DANS LES MURS SECS

Après avoir assemblé la mèche dans l'outil comme décrit précédemment, vous devez vous reporter aux consignes données ci-après et pratiquer le découpage à l'aide de cet outil avant d'entamer une véritable tâche. La meilleure méthode consiste à prendre des rebuts et à les clouer ou les visser en place sur des montants muraux sur lesquels une boîte électrique ou un autre appareil est posé. Quelques exercices du genre vous donneront la pratique nécessaire pour effectuer des découpages professionnels et propres autour de quelque objet que ce soit situé derrière le mur sec que vous posez.

⚠ AVERTISSEMENT

Ne tentez pas d'utiliser cet outil pour effectuer des découpages autour de tout appareil ou ouverture qui possède des fils électriques sous tension, ou sur tout mur derrière lequel se trouvent des fils électriques sous tension, car la mèche pourrait conduire le courant à l'outil, créant ainsi un danger d'électrocution pour l'opérateur. Mettez les disjoncteurs à l'arrêt ou retirez les fusibles pour sectionner le circuit. Tenez toujours l'outil par son boîtier thermoplastique, et portez toujours des lunettes de protection en utilisant ce dispositif.

Étape 1 : Assurez-vous que la boîte ou l'appareil nécessitant un découpage est monté fermement et que tous les fils ou autres obstructions autour de l'ouverture sont repoussés hors du chemin. La mèche de découpage de murs secs utilise le bord extérieur de la boîte ou de l'appareil comme guide ; il est donc important qu'il n'y ait rien dans le chemin pouvant l'empêcher de guider entièrement autour de l'ouverture. Aux fins de ce manuel d'instructions, la méthode traitée consistera à effectuer un découpage autour d'une boîte électrique standard de 2 1/8" ou de 3 3/4".

Étape 2

Faites glisser l'interrupteur pour mettre l'outil en marche. Tout en tenant la scie Spiral Saw mécanique fermement des deux mains, plongez l'embout Zip à travers la marque que vous avez pratiquée. Guidez ensuite l'embout Zip vers la droite jusqu'à ce que vous sentiez et entendiez l'embout Zip toucher le bord intérieur de la boîte.

Étape 3

Tirez l'embout vers l'extérieur juste assez pour la faire glisser par-dessus le bord de la boîte de manière à ce que l'embout soit maintenant contre l'extérieur de la boîte.

Étape 4

Tout en gardant l'embout Zip en contact avec l'extérieur de la boîte, déplacez l'outil en sens anti-horaire en exerçant une délicate pression vers l'intérieur et vers le haut jusqu'à ce que vous sentiez et entendiez la mèche atteindre le coin. En tournant le coin, exercez une légère pression vers la gauche et le bas.

Étape 5

En vous déplaçant lentement et continuellement le long du contour supérieur, vous sentirez l'embout Zip atteindre le coin suivant. Tournez le coin et exercez une légère pression vers le bas et vers l'intérieur jusqu'à ce que le coin inférieur soit atteint.

Étape 6

Déplacez l'embout Zip vers la droite et vers le haut tout en exerçant une légère pression continue vers la boîte.

Étape 7

Tournez le coin inférieur droit et commencez à déplacer l'embout Zip vers le haut tout en exerçant une légère pression à gauche en direction de la boîte jusqu'à ce que vous rencontriez la coupe initiale vers le haut. Poussez l'interrupteur outil à la position d'arrêt.

Étape 8

La boîte terminée, exécutée rapidement, proprement et en une fraction du temps que prennent les autres méthodes.

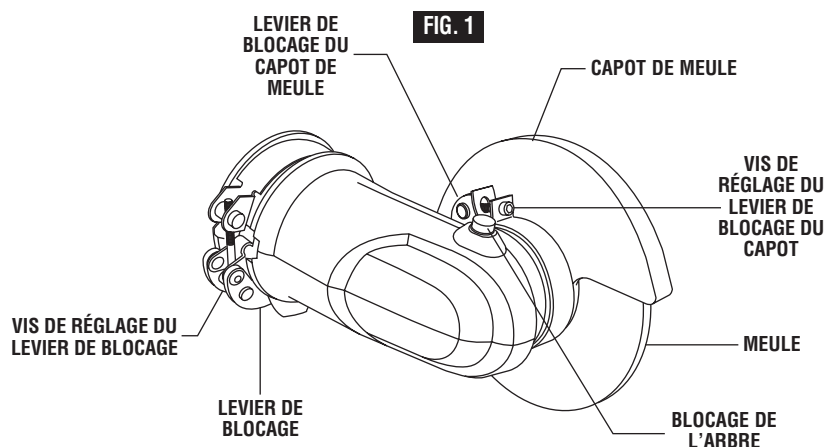
Ces instructions par étapes sont généralisées de manière à vous permettre de vous familiariser avec le fonctionnement de la scie Spiral Saw mécanique. Après un peu de pratique, vous acquerez une technique de mouvement qui vous est plus confortable. Cependant, vous devez toujours commencer la coupe à un emplacement assez central et DÉPLACER LA SCIE SPIRAL SAW UNIQUEMENT EN SENS ANTI-HORAIRE pour tirer profit de l'action d' "étirement" de l'embout en rotation le long des contours du gabarit. Un mouvement en sens horaire fera certainement rebondir l'embout à l'écart du gabarit et abîmera par conséquent le découpage. N'oubliez pas d'utiliser un mouvement continu régulier.

Description fonctionnelle et spécifications

AVERTISSEMENT L'accessoire Zipmate ne peut être utilisé qu'avec une poignée de maintien latérale dure. Tenir la meule de coupe à deux mains par des poignées dures permet de mieux la maîtriser en cas de rebond.

AVERTISSEMENT Débranchez le bloc-pile de l'outil ou placez l'interrupteur à la position de blocage ou d'arrêt avant d'effectuer tout assemblage ou réglage ou de changer les accessoires. Ces mesures de sécurité préventives réduisent le risque d'une mise en marche accidentelle de l'outil.

Accessoire de tronçonnage à meule Zipmate®



Recommandé pour utilisation avec les scies Spiral Saw™ suivantes : Rebel, Revolution et tous les modèles de la gamme RZ.

AVERTISSEMENT Il faut se procurer la poignée de maintien auxiliaire dure pour les modèles RZ1 et RZ25. Appelez le 1-877-ROTOZIP.

Remarque : La vitesse de votre outil sera réduite dans un rapport de 2 à 1 quand vous utilisez l'accessoire de tronçonnage à meule.

Assemblage

AVERTISSEMENT Utilisez toujours la poignée auxiliaire afin de mieux résister au couple de réaction ainsi qu'aux rebonds. L'utilisation de l'outil sans la poignée auxiliaire risque de causer une perte de contrôle, résultant en d'éventuelles blessures corporelles graves.

MONTAGE ET DÉMONTAGE DE L'ACCESSOIRE DE TRONÇONNAGE À MEULE

AVERTISSEMENT Débranchez le bloc-pile de l'outil ou placez l'interrupteur à la position de blocage ou d'arrêt avant d'effectuer tout assemblage ou réglage ou de changer les accessoires. Ces mesures de sécurité préventives réduisent le risque d'une mise en marche

accidentelle de l'outil. Assurez-vous que l'écrou de douille est bien serré avant de mettre l'outil en marche.

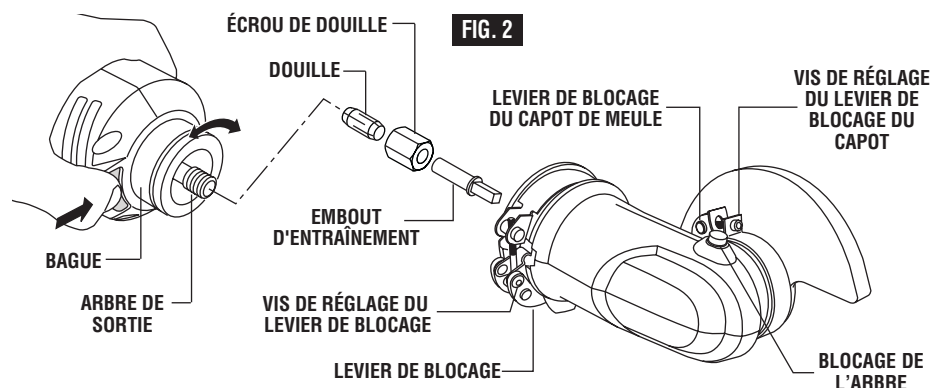
1. Insérez la douille de 1/4 po dans l'écrou de douille. Vissez l'écrou de douille sur l'arbre de sortie, mais sans serrer (Fig. 2).
2. Insérez l'embout d'entraînement dans la douille jusqu'à ce qu'elle s'arrête, puis serrez fermement l'écrou de douille avec la clé.
3. Ouvrez le levier de blocage et positionnez l'accessoire sur la bague. Remarque : il se peut qu'il faille tourner l'accessoire légèrement tout en tenant à la fois le blocage de l'arbre de l'outil et celui de l'accessoire afin de pouvoir enfilez l'extrémité carrée de l'embout d'entraînement dans l'accessoire.

4. Positionnez l'accessoire comme indiqué et bloquez le levier de serrage.

Utilisez la clé Allen pour régler la vis de réglage du levier de blocage.

▲ MISE EN GARDE

Si on serre la vis de réglage du levier de blocage trop fort, on risque d'endommager définitivement le mécanisme de blocage. Contrôlez le serrage du levier après chaque tour complet donné à la vis de réglage.



MONTAGE DE MEULES

Utilisez toujours l'écrou d'arbre dont le filetage correspond à celui de l'arbre de sortie.

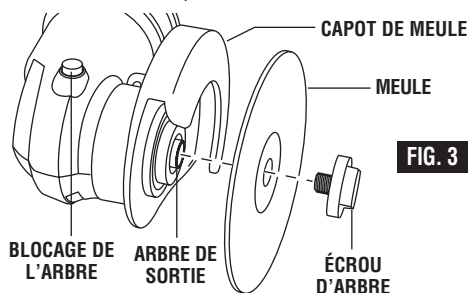
1. Installez la meule sur l'arbre de sortie.
2. Vissez à la main l'écrou d'arbre fourni sur l'arbre de sortie, appuyez sur le blocage de l'arbre et serrez la meule à l'aide de la clé fournie (Fig. 3).

▲ AVERTISSEMENT

Ne serrez pas trop fort car vous risquez de fêler la meule. Utilisez la clé fournie avec l'outil. Si vous utilisez une clé différente, vous risquez de serrer trop fort.

▲ AVERTISSEMENT

N'appuyez pas sur le blocage de l'arbre quand l'outil est en marche car la meule risquerait de se dévisser ou vous risquez d'abîmer l'accessoire.



Consignes de fonctionnement

POUR TRONÇONNER

1. Assurez-vous que le matériau à tronçonner est fixé dans un étau ou un montage avant d'essayer de tronçonner.
2. Placez-vous d'un côté ou de l'autre de la meule mais pas dans son alignement. Il est important de tenir l'outil correctement et de vous placer de manière à réduire le danger en cas d'éventuels coincements de la meule ou de rebonds.

3. Tenez l'outil à deux mains quand vous tronçonnez et tenez-vous toujours prêt et en position de maîtriser le tronçonnage.
4. Évitez de coincer, de tordre ou de pincer la meule avec la pièce ou d'appliquer une pression latérale excessive sur la meule.
5. Le couvercle du capot doit toujours se trouver entre la meule et l'utilisateur.

6. Assurez-vous que le levier de blocage du capot est en position fermée et que le capot est fixé fermement sur l'accessoire. Utilisez la clé Allen pour régler la vis de réglage du capot.

7. La profondeur de coupe maximale est de 11/16 po.

MISE EN GARDE Si on serre la vis de réglage du capot trop fort, on risque d'endommager définitivement le mécanisme de blocage. Contrôlez le serrage du levier après chaque tour complet donné à la vis de réglage.

AVERTISSEMENT Pour éviter que l'outil ne rebondisse ou qu'il soit

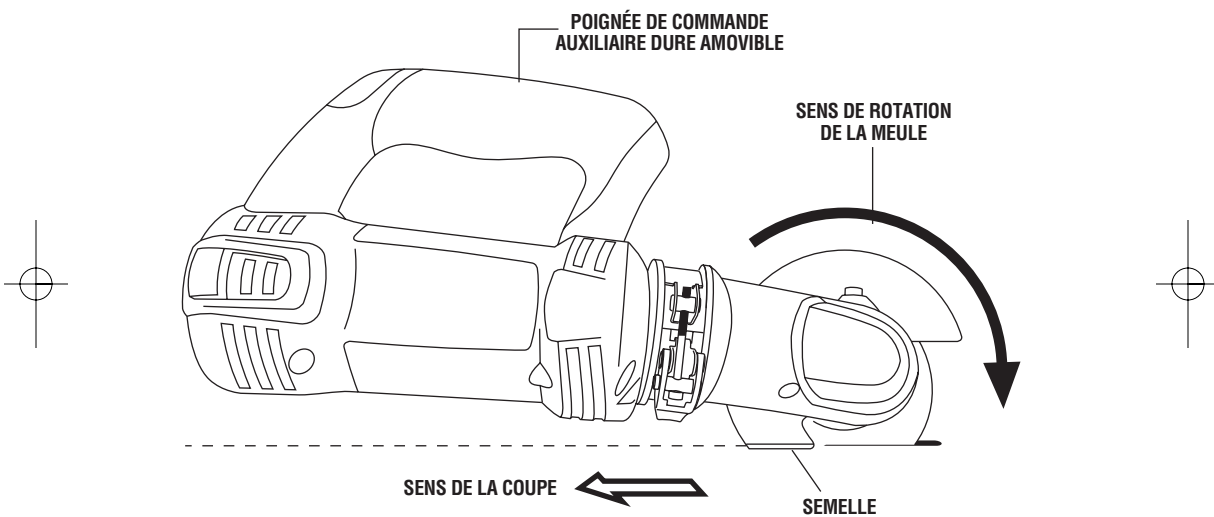
abîmé, il faut toujours s'assurer que les flasques interne et externe ne touchent jamais la pièce.

8. En général, plus le matériau à tronçonner est dur, plus la meule s'usera rapidement.

9. Quand vous tronçonnez des matériaux épais, ne faites jamais la coupe en une seule passe. Faites des passes successives jusqu'à ce que vous atteigniez la profondeur désirée.

10. Quand vous utilisez la meule diamant, ne faites pas de longues coupes continues. Laissez la meule se refroidir pendant environ 10 secondes après chaque minute de tronçonnage.

FIG. 4



APPLICATIONS

Cet outil est prévu pour tronçonner les matériaux suivants.

Tôle d'acier de 1/8 po d'épaisseur maxi.

Carrelage et carreaux muraux.

Parpaings et briques.

Fer à béton – généralement de diamètre inférieur à 5/8 po.

Conduite électrique à paroi de 1/8 po.

Profilés d'épaisseur maxi 1/8 po tels que profilés en U, cornières, plaques, etc.

ATTENTION : Si vous laissez l'outil tourner continuellement pendant plus de 5 minutes, il est normal que le boîtier soit chaud au toucher.

Il est important de lire et comprendre le chapitre de ce mode d'emploi intitulé « Causes du rebond et façons dont l'opérateur peut le prévenir ».

Quand vous tronçonnez de la tôle, de la maçonnerie, etc. : vous pouvez soit démarrer la coupe à l'extrémité de la pièce, soit la démarrer en pénétrant n'importe où au milieu de la pièce.

Afin d'éviter les rebonds (la meule essaie de sauter et s'échapper de la pièce) il est conseillé de tronçonner en suivant le sens de rotation de la meule (Fig. 4).

Entretien

Service

AVERTISSEMENT IL N'EXISTE À L'INTÉRIEUR AUCUNE PIÈCE SUSCEPTIBLE D'ÊTRE ENTRETENUE PAR L'UTILISATEUR. L'entretien préventif exécuté par des personnes non autorisées peut entraîner un positionnement erroné des composants et des fils internes, ce qui peut présenter de graves dangers. Nous recommandons de confier toute intervention d'entretien sur l'outil à un centre de service-usine Bosch ou à un centre de service après-vente Bosch agréé. TECHNICIENS : Débranchez l'outil et/ou le chargeur de la source de courant avant d'entretenir.

PILES

Faire attention aux blocs-piles qui approchent la fin de leur vie. Si vous remarquez une diminution dans les performances de votre outil ou une durée de fonctionnement réduite de manière significative entre charges, il est temps de remplacer le bloc-piles. S'il n'est pas remplacé, il se peut qu'il endommage le chargeur ou que l'outil fonctionne incorrectement.

Les piles doivent être déchargées avant de les entreposer pour une longue durée. Les blocs-piles durent plus longtemps et se rechargent mieux quand ils sont rangés déchargés. Rappelez-vous qu'il faut complètement recharger les blocs-piles avant toute utilisation survenant après un stockage prolongé.

LUBRIFICATION DE L'OUTIL

Votre outil Bosch a été lubrifié correctement en usine et il est prêt à l'utilisation.

LUBRIFICATION DU MANDRIN

Le mandrin auto-serrant a été correctement lubrifié et est prêt à l'emploi. Si les mors du mandrin commencent à se coincer pendant l'utilisation, le mandrin doit être lubrifié. Pour cela, retirez d'abord les débris de l'intérieur du mandrin à l'air comprimé.

Appliquez l'équivalent d'un petit pois de graisse universelle sur les côtés des mors et ouvrez et fermez le mandrin sur toute la plage de déplacement pour répartir la graisse.

MOTEURS C.C.

Le moteur de votre outil a été conçu pour de nombreuses heures d'utilisation fiable. Pour maintenir l'efficacité maximale du moteur, nous recommandons de l'examiner tous les six mois. Seul un moteur de remplacement Bosch authentique, conçu spécialement pour votre outil, doit être utilisé.

ROULEMENTS

Les roulements qui deviennent bruyants (en raison d'une charge importante ou de la coupe de matériaux très abrasifs) doivent être remplacés immédiatement pour éviter la surchauffe et les défaillances du moteur.

Nettoyage

AVERTISSEMENT Pour éviter les accidents, débranchez toujours l'outil et/ou le chargeur de la source de courant avant de nettoyer. La façon la plus efficace de nettoyer l'outil est à l'aide d'air sec comprimé. Portez toujours des lunettes de sécurité en nettoyant les outils à l'air comprimé.

Gardez les prises d'air et les interrupteurs propres et libres de débris. N'essayez pas de les nettoyer en introduisant des objets pointus dans leurs ouvertures.

AVERTISSEMENT Certains agents de nettoyages et certains dissolvants abîment les pièces en plastique. Parmi ceux-ci se trouvent: l'essence, le tétrachlorure de carbone, les dissolvants de nettoyage chlorés, l'ammoniaque ainsi que les détergents domestiques qui en contiennent.

Cordons de rallonge

AVERTISSEMENT Si un cordon de rallonge s'avère nécessaire, vous devez utiliser un cordon avec conducteurs de dimension adéquate pouvant porter le courant nécessaire à votre outil. Ceci préviendra une chute excessive de tension, une perte de courant ou une surchauffe. Les outils mis à la terre doivent utiliser des cordons de rallonge trifilaires pourvus de fiches à trois broches ainsi que des prises à trois broches.

REMARQUE : Plus le calibre est petit, plus le fil est gros.

DIMENSIONS DE RALLONGES RECOMMANDÉES OUTILS 120 VOLTS COURANT ALTERNATIF

| Intensité nominale de l'outil | Calibre A.W.G. | | | | Calibre en mm ² | | | |
|-------------------------------|-------------------|----|-----|-----|----------------------------|------|-----|-----|
| | Longueur en pieds | | | | Longueur en mètres | | | |
| | 25 | 50 | 100 | 150 | 15 | 30 | 60 | 120 |
| 3-6 | 18 | 16 | 16 | 14 | 0,75 | 0,75 | 1,5 | 2,5 |
| 6-8 | 18 | 16 | 14 | 12 | 0,75 | 1,0 | 2,5 | 4,0 |
| 8-10 | 18 | 16 | 14 | 12 | 0,75 | 1,0 | 2,5 | 4,0 |
| 10-12 | 16 | 16 | 14 | 12 | 1,0 | 2,5 | 4,0 | — |
| 12-16 | 14 | 12 | — | — | — | — | — | — |

Accessoires

AVERTISSEMENT Utilisez uniquement les accessoires recommandés par Robert Bosch Tool Corporation avec cet outil. Les accessoires qui peuvent convenir à un outil peuvent devenir dangereux lorsqu'ils sont utilisés sur un autre outil.

Les accessoires qui sont compatibles avec les scies spirales Rotozip sont les suivants :
(Il se peut que ces articles soient vendus séparément)

Accessoire de tronçonnage à meule Zipmate

Adaptateur pour aspirateur RZVAC1

Guides coupe-cercle

Guide parallèle

Défonceuse en plongée)

Poignée de scie sauteuse

Arbre flexible

Embouts Zip®

La gamme d'accessoires et d'embouts Zip polyvalentes brevetées par Robert Bosch Tool Corporation vous donne la flexibilité requise pour passer d'un matériau à un autre et d'un projet à un autre sans avoir à changer d'outil.



| Tableau d'embouts Zip | S C 5 | T C 1 | D C 1 | F B R 1 | G P 1 0 | Z B 1 0 | W D 1 |
|------------------------------|-------------|-------------|-------------|------------------|------------------|------------------|-------------|
| Matériaux | | | | | | | |
| Carreaux Insonorisants | ● | | | | | | |
| Acrylique | ● | | | | | | |
| Bardage d'Aluminium | ● | | | | | | |
| Panneau de Fibraglo-ciment | | ● | ● | | | | |
| Carreaux Ceramiques pour Mur | | ● | | | | | |
| Placoplâtre | | | | | ● | ● | ● |
| Fibre de Verre | ● | | | | | | |
| Fiberock | | | | ● | | | |
| Panneau de Mousse | ● | | | | | | ● |
| Bois Franc | ● | | | | | | |
| Stratifiés | ● | | | | | | |
| Latte | | | | | | | |
| Marbre | ● | ● | | | | | |
| P.P.O. | ● | | | | | | |
| Platre | ● | ● | ● | | | | |
| Plastique | ● | | | | | | |
| Contreplaqué | ● | | | | | | |
| Matériau à Surface Solide | ● | | | | | | |
| Stuc | | ● | ● | | | | |
| Couche de Sous-finition | ● | | | | | | |
| Bardage de Cinyle | ● | | | | | | |
| Bois | ● | | | | | | |
| Composites du Bois | ● | | | | | | |



RZmas2 Disque de tronçonnage pour maçonnerie

Pour brique, ciment, bloc en béton de mâchefer, béton, pierre, pierre calcaire, panneau composite, fibre de verre, surfaces laminées.



RZmet2 Disque de tronçonnage pour métal

Pour métaux ferreux, cornières, gouttières, fer, conduites, tôle, acier inoxydable.



RZdia1 Disque de tronçonnage diamant à sec

Pour carreaux pour sol, béton, pierre, carreaux en céramique et autres matériaux non métalliques très durs.

Pour une liste complète des accessoires Rotozip, allez sur notre site Web www.rotozip.com

Normas generales de seguridad

⚠ ADVERTENCIA Lea todas las instrucciones. Si no se siguen todas las instrucciones que aparecen a continuación, el resultado podría ser sacudidas eléctricas, incendio y/o lesiones graves. La expresión "herramienta mecánica" en todas las advertencias que aparecen a continuación se refiere a su herramienta mecánica alimentada por la red eléctrica (herramienta alámbrica) o su herramienta mecánica alimentada por baterías (herramienta inalámbrica).

GUARDE ESTAS INSTRUCCIONES

Seguridad del área de trabajo

Mantenga el área de trabajo limpia y bien iluminada. Las áreas desordenadas u oscuras invitan a que se produzcan accidentes.

No utilice herramientas mecánicas en atmósferas explosivas, como por ejemplo en presencia de líquidos, gases o polvos inflamables. Las herramientas mecánicas generan chispas que pueden incendiar el polvo o los vapores.

Mantenga alejados a los niños y a las personas que estén presentes mientras esté utilizando una herramienta mecánica. Las distracciones pueden hacerle perder el control de la herramienta.

Seguridad eléctrica

Los enchufes de las herramientas mecánicas deben coincidir con el tomacorriente. No modifique nunca el enchufe de ningún modo. No use enchufes adaptadores con herramientas mecánicas conectadas a tierra (puestas a tierra). Los enchufes no modificados y los tomacorrientes coincidentes reducirán el riesgo de sacudidas eléctricas.

Evite el contacto del cuerpo con las superficies conectadas o puestas a tierra, tales como tuberías, radiadores, estufas y refrigeradores. Hay un aumento del riesgo de sacudidas eléctricas si el cuerpo del operador se conecta o pone a tierra.

No exponga las herramientas mecánicas a la lluvia o a condiciones mojadas. La entrada de agua en una herramienta mecánica aumentará el riesgo de que se produzcan sacudidas eléctricas.

No maltrate el cordón de energía. No use nunca el cordón para transportar la herramienta mecánica, tirar de ella o desenchufarla. Mantenga el cordón alejado del calor, el aceite, los bordes afilados o las piezas móviles. Los cordones dañados o enganchados aumentan el riesgo de que se produzcan sacudidas eléctricas.

Cuando utilice una herramienta mecánica en el exterior, use un cordón de extensión adecuado para uso a la intemperie. La utilización de un cordón adecuado para uso a la intemperie reduce el riesgo de que se produzcan sacudidas eléctricas.

No use herramientas mecánicas con capacidad nominal solamente para CA con una fuente de energía de CC. Aunque pueda parecer que la

herramienta funciona correctamente, es probable que los componentes eléctricos de la herramienta con capacidad nominal para CA fallen y creen un peligro para el operador.

Si es inevitable usar la herramienta mecánica en lugares húmedos, se debe utilizar un interruptor de circuito accionado por corriente de pérdida a tierra (GFCI) para suministrar energía a la herramienta. Un GFCI y los dispositivos de protección personal, como guantes de goma y calzado de goma de electricista, mejorarán más su seguridad personal.

Seguridad personal

Manténgase alerta, fíjese en lo que está haciendo y use el sentido común cuando esté utilizando una herramienta mecánica. No use una herramienta mecánica cuando esté cansado o bajo la influencia de drogas, alcohol o medicamentos. Un momento de distracción mientras esté utilizando herramientas mecánicas podría causar lesiones corporales graves.

Use equipo de seguridad. Use siempre protección de los ojos. El equipo de seguridad, como por ejemplo una máscara antipolvo, calzado de seguridad antideslizante, casco o protección de oídos, utilizado para las condiciones apropiadas, reducirá las lesiones corporales.

Evite el arranque accidental. Asegúrese de que el interruptor esté en la posición de apagado antes de enchufar la herramienta. Si se transportan herramientas mecánicas con el dedo en el interruptor o se enchufan herramientas mecánicas que tienen el interruptor en la posición de encendido, se invita a que se produzcan accidentes.

Quite todas las llaves de ajuste o de tuerca antes de encender la herramienta mecánica. Una llave de tuerca o de ajuste que se deje colocada en una pieza giratoria de la herramienta mecánica podría causar lesiones corporales.

No intente alcanzar demasiado lejos. Mantenga un apoyo de los pies y un equilibrio apropiados en todo momento. Esto permite controlar mejor la herramienta mecánica en situaciones inesperadas.

Vístase adecuadamente. No use ropa holgada ni alhajas holgadas. Mantenga el pelo, la ropa y los guantes alejados de las piezas móviles. La ropa holgada, las alhajas holgadas o el pelo largo pueden quedar atrapados en las piezas móviles.

Si se proporcionan dispositivos para la conexión de instalaciones de extracción y recolección de polvo, asegúrese de que dichas instalaciones estén conectadas y se usen correctamente. El uso de estos dispositivos puede reducir los peligros relacionados con el polvo.

Mantenga los mangos secos, limpios y libres de aceite y grasa. Las manos resbalosas no pueden controlar de modo seguro la herramienta mecánica.

Uso y cuidado de las herramientas mecánicas

No fuerce la herramienta mecánica. Use la herramienta mecánica correcta para la aplicación que desee realizar. La herramienta mecánica correcta hará el trabajo mejor y con más seguridad a la capacidad nominal para la que fue diseñada.

No use la herramienta mecánica si el interruptor no la enciende y apaga. Toda herramienta mecánica que no se pueda controlar con el interruptor es peligrosa y debe ser reparada.

Desconecte el enchufe de la fuente de energía y/o el paquete de batería de la herramienta mecánica antes de hacer cualquier ajuste, cambiar accesorios o almacenar herramientas mecánicas. Dichas medidas preventivas de seguridad reducen el riesgo de arrancar accidentalmente la herramienta mecánica.

Guarde las herramientas que no esté usando fuera del alcance de los niños y no deje que personas que no estén familiarizadas con la herramienta mecánica o con estas instrucciones utilicen la herramienta. Las herramientas mecánicas son peligrosas en manos de usuarios que no hayan recibido capacitación.

Mantenga las herramientas mecánicas. Compruebe si hay piezas móviles desalineadas o que se atoran, si hay piezas rotas y si existe cualquier otra situación que podría afectar el funcionamiento de la herramienta mecánica. Si la herramienta mecánica está dañada, haga que la reparen antes de usarla. Muchos accidentes son causados por herramientas mecánicas mantenidas deficientemente.

Mantenga las herramientas de corte afiladas y limpias. Es menos probable que las herramientas de corte mantenidas apropiadamente, con bordes de corte afilados, se atoren, y dichas herramientas son más fáciles de controlar.

Use la herramienta mecánica, los accesorios, las brocas de la herramienta, etc., de acuerdo con estas instrucciones y de la manera prevista para el tipo específico de herramienta mecánica, teniendo en cuenta las condiciones de trabajo y el trabajo que se vaya a realizar. El uso de la herramienta mecánica para

operaciones distintas a aquéllas para las que fue diseñada podría causar una situación peligrosa.

Use abrazaderas u otro modo práctico de sujetar y soportar la pieza de trabajo en una plataforma estable. Si se sujeta la pieza de trabajo con la mano o contra el cuerpo, se crea una situación inestable que podría causar pérdida de control.

Uso y cuidado de las herramientas alimentadas por baterías

Asegúrese de que el interruptor esté en la posición de apagado antes de introducir el paquete de batería. Si se introduce el paquete de batería en herramientas mecánicas que tengan el interruptor en la posición de encendido, se invita a que se produzcan accidentes.

Recargue las baterías solamente con el cargador especificado por el fabricante. Un cargador que es adecuado para un tipo de paquete de batería puede crear un riesgo de incendio cuando se utiliza con otro paquete de batería.

Use las herramientas alimentadas por baterías solamente con paquetes de batería designados específicamente. El uso de cualquier otro paquete de batería puede crear un riesgo de lesiones e incendio.

Cuando el paquete de batería no se esté usando, manténgalo alejado de otros objetos metálicos, tales como sujetapapeles, monedas, llaves, clavos, tornillos u otros objetos metálicos pequeños que pueden hacer una conexión de un terminal a otro. Si se cortocircuitan los terminales de la batería uno con otro, se pueden causar quemaduras o un incendio.

En condiciones abusivas, es posible que se eyecte líquido de la batería. Evite el contacto. Si se produce un contacto accidental, enjuáguese con agua. Si el líquido entra en contacto con los ojos, obtenga además ayuda médica. El líquido que salga eyectado de la batería puede causar irritación o quemaduras.

Servicio de ajustes y reparaciones

Haga que su herramienta mecánica reciba servicio de un técnico de reparaciones calificado, utilizando únicamente piezas de repuesto idénticas. Esto asegurará que se mantenga la seguridad de la herramienta mecánica.

Desarrolle un programa de mantenimiento periódico de la herramienta. Cuando limpie una herramienta, tenga cuidado de no desmontar ninguna de sus partes, ya que los cables internos podrían reubicarse incorrectamente o pellizcarse, o los resortes de retorno de los protectores de seguridad podrían montarse incorrectamente. Ciertos agentes de limpieza, tales como gasolina, tetracloruro de carbono, amoníaco, etc., podrían dañar las piezas de plástico.

GUARDE ESTAS INSTRUCCIONES

Normas de seguridad para sierras Spiral Saw™

Sujete siempre la herramienta por las superficies de agarre aisladas al realizar una operación en la que la herramienta de corte pueda entrar en contacto con cables ocultos. El contacto con un cable con corriente transmitirá corriente a las piezas metálicas al descubierto y hará que el operador reciba sacudidas eléctricas.

Use abrazaderas u otro modo práctico de sujetar y soportar la pieza de trabajo en una plataforma estable. Si se sujeta la pieza de trabajo con la mano o contra el cuerpo, se crea una situación inestable que podría causar pérdida de control.

Si el corte en paredes existentes u otras áreas ciegas donde puedan existir cables eléctricos es inevitable, desconecte todos los fusibles o cortacircuitos que alimentan el lugar de trabajo.

Asegúrese siempre de que la superficie de trabajo no tenga clavos ni otros objetos extraños. El corte de un clavo puede hacer que la broca y la herramienta salten y que la broca se dañe.

Nunca tenga la pieza de trabajo en una mano y la herramienta en la otra al utilizarla. Nunca ponga las manos cerca o debajo de la superficie de corte. Es más seguro fijar con abrazaderas el material y guiar la herramienta con ambas manos.

Nunca ponga la pieza de trabajo sobre superficies duras, tales como hormigón, piedra, etc... la broca de corte que sobresale podrá hacer que la herramienta salte.

Use siempre gafas de seguridad y máscara antipolvo. Use la herramienta únicamente en un área bien ventilada. La utilización de dispositivos de seguridad personal y el trabajar en un entorno seguro reducen el riesgo de que se produzcan lesiones.

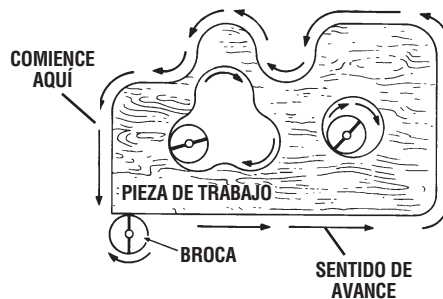
Después de cambiar las brocas o de hacer ajustes, asegúrese de que la tuerca del portaherramienta y otros dispositivos de ajuste estén apretados firmemente. Un dispositivo de ajuste flojo puede desplazarse inesperadamente, causando pérdida de control, y los componentes giratorios flojos saldrán despedidos violentamente.

Nunca arranque la herramienta cuando la broca esté acoplada en el material. El borde de corte de la broca puede engancharse en el material, causando pérdida de control de la cortadora.

Sujete siempre la herramienta con las dos manos durante el arranque. El par de reacción del motor puede hacer que la herramienta se tuerza.

Cuando frese o corte, el sentido de avance con el borde de corte de la broca introducido en el material es muy importante. Haga avanzar siempre la broca hacia el material en el mismo sentido en que el borde de corte esté saliendo del material. Al mirar a la herramienta desde arriba, la broca gira en el sentido de

las agujas del reloj. Si la herramienta está entre la pieza de trabajo y el cuerpo del operador, haga avanzar la herramienta hacia la derecha. Si la pieza de trabajo está entre la herramienta y el cuerpo del operador, haga avanzar la herramienta hacia la izquierda. Si se hace avanzar la herramienta en sentido incorrecto, se hace que el borde de corte de la broca trepe, se salga de la pieza de trabajo y tire de la herramienta en el sentido de este avance.



Nunca use brocas desafiladas o dañadas. Las brocas afiladas se deben manejar con cuidado. Las brocas dañadas pueden romperse bruscamente durante el uso. Las brocas desafiladas requieren más fuerza para empujar la herramienta, con lo que es posible que la broca se rompa.

Nunca toque la broca durante ni inmediatamente después de la utilización. Después del uso, la broca está demasiado caliente como para tocarla con las manos desnudas.

Nunca deje la herramienta hasta que el motor se haya detenido por completo. La broca que gira puede engancharse en la superficie y tirar de la herramienta haciendo que usted pierda el control.

Nunca utilice brocas que tengan un diámetro de corte mayor que la abertura de la base.

No utilice la herramienta para taladrar. Esta herramienta no está diseñada para uso con brocas taladradoras.

Use siempre la herramienta con la guía de profundidad colocada firmemente y posicionada plana contra el material que se está cortando. El posicionamiento firme de la guía sobre el material mejora la estabilidad y el control de la herramienta.

No utilice el aditamento Zipmate sin el mango de control auxiliar duro. El asa de banda suave no proporciona un control suficiente para la operación de amolado.

⚠ ADVERTENCIA Cierta polvo generado por el lijado, aserrado, amolado y taladrado mecánicos, y por otras actividades de construcción, contiene agentes químicos que se sabe

que causan cáncer, defectos de nacimiento u otros daños sobre la reproducción. Algunos ejemplos de estos agentes químicos son:

- Plomo de pinturas a base de plomo,
- Sílice cristalina de ladrillos y cemento y otros productos de mampostería, y
- Arsénico y cromo de madera tratada químicamente.

Su riesgo por causa de estas exposiciones varía, dependiendo de con cuánta frecuencia realice este tipo de trabajo. Para reducir su exposición a estos agentes químicos: trabaje en un área bien ventilada y trabaje con equipo de seguridad aprobado, como por ejemplo máscaras antipolvo que estén diseñadas especialmente para impedir mediante filtración el paso de partículas microscópicas.

Normas de seguridad para el aditamento de rueda abrasiva Zipmate

Utilice siempre el protector de la rueda y el mango auxiliar con esta herramienta de rueda abrasiva. El protector siempre debe estar colocado firmemente en la herramienta y posicionado de manera que proporcione máxima seguridad, de forma que la cantidad de rueda que quede al descubierto sea mínima en el lado de la herramienta en que se encuentra el operador. Un protector protege al operador contra los fragmentos desprendidos de una rueda que se rompa. Las nervaduras de soporte y el mango auxiliar proporcionan protección, estabilidad y control adicionales en aplicaciones de corte. El cuerpo de la herramienta Rotozip o del aditamento Zipmate también se puede usar como mango.

Asegúrese siempre de que el protector de la rueda y el mango auxiliar se hayan vuelto a montar y estén sujetos firmemente a la herramienta al cambiar el punto de funcionamiento de disparo de avance a disparo inverso o después de cambiar las ruedas. Es peligroso utilizar una herramienta a la que le falte un componente de seguridad esencial.

Sujete la herramienta por las superficies de agarre aisladas al realizar una operación en la que las ruedas abrasivas puedan entrar en contacto con cables ocultos o con su propio cordón. El contacto con un cable que tenga corriente hará que todas las partes metálicas de la herramienta que están al descubierto lleven corriente y causen sacudidas eléctricas al operador.

Use indumentaria adecuada mientras utiliza una herramienta de rueda abrasiva. Careta protectora o al menos anteojos de seguridad, máscara antipolvo, guantes de cuero y delantal de taller capaces de detener pequeños fragmentos de la rueda o de la pieza de trabajo.

Este aditamento no está diseñado para utilizarse con ruedas adiamantadas para cortar en húmedo. La utilización de agua u otros refrigerantes líquidos con esta herramienta puede ocasionar electrocución o sacudidas eléctricas. El uso de ruedas adiamantadas secas es aceptable.

Utilice únicamente ruedas abrasivas de corte de tipo 1 con el agujero para eje portaherramienta de tamaño

correcto. No utilice nunca pestañas de rueda dañadas o incorrectas ni una tuerca redonda. Otros tipos de ruedas no están diseñados para aplicar carga en la periferia y pueden hacerse pedazos. Las ruedas con agujeros para eje portaherramienta que no coincidan con la tornillería de montaje de la herramienta funcionarán excéntricamente, vibrarán excesivamente y causarán pérdida de control.

No amuele en el lado de ruedas abrasivas de corte de tipo 1. Las fuerzas laterales aplicadas a estas ruedas pueden hacer que salten en pedazos.

No utilice este aditamento con una hoja para "tallar madera" ni con hojas dentadas estándar para cortar madera. Estas hojas no están diseñadas para esta herramienta y pueden ocasionar pérdida de control durante el uso.

Las ruedas abrasivas de corte deben tener una velocidad máxima de funcionamiento con seguridad superior a las "RPM sin carga" indicadas en el aditamento. Las ruedas que estén funcionando a una velocidad superior a la nominal pueden romperse, salir despedidas y causar lesiones.

Antes de cada uso, inspeccione la rueda de corte para ver si tiene astillas y grietas. No utilice ninguna rueda que pueda estar dañada. Instale una rueda nueva si la herramienta se ha caído. Al instalar una rueda nueva, maneje cuidadosamente cada una de las ruedas de corte para evitar que se astillen o se agrieten. Haga funcionar la herramienta sin carga durante un minuto, sujetándola de manera que esté orientada alejándose de las personas que se encuentren presentes. Normalmente, las ruedas con defectos se romperán durante este período. Los fragmentos de una rueda que revienta durante el funcionamiento saldrán despedidos a gran velocidad, posiblemente golpeándoles a usted o a las personas que se encuentren presentes.

No utilice una rueda de corte cuyo tamaño sea mayor que el tamaño máximo recomendado para la herramienta, ni ruedas desgastadas o dañadas provenientes de herramientas de rueda abrasiva más grandes. Las ruedas diseñadas para herramientas más grandes no son adecuadas para la velocidad más alta de una herramienta más pequeña. Estas ruedas pueden

reventar fácilmente y los fragmentos pueden golpearles a usted o a las personas que se encuentren presentes.

Mantenga el cuerpo situado a uno de los lados de la rueda, pero no en línea con la rueda. Es importante soportar la herramienta adecuadamente y situar el cuerpo de manera que se minimice la exposición del mismo a un posible atasco de la rueda y el retroceso de la herramienta.

Mantenga las manos alejadas del área de corte y de la rueda. Mantenga la segunda mano en el mango auxiliar o en el aditamento. Sujete la herramienta firmemente para evitar la pérdida de control. NUNCA ponga la mano detrás de la rueda, ya que la herramienta puede experimentar retroceso sobre la mano. No intente retirar el material cortado cuando la rueda se está moviendo. Si ambas manos están sujetando la herramienta, la rueda no puede cortarlas.

No "trabe" la rueda abrasiva en la pieza de trabajo, ni ejerza una presión excesiva ni intente utilizar profundidades de corte más grandes mientras utiliza esta herramienta. Deje que la rueda que gira haga el trabajo. Las herramientas de rueda abrasiva están diseñadas para "cortar" el material en una serie de cortes de poca profundidad. Consulte las instrucciones sobre la profundidad de corte que aparecen más adelante en este manual.

Evite hacer rebotar y enganchar la rueda, especialmente al trabajar en esquinas, bordes afilados, etc. Esto puede causar pérdida de control y retroceso de la herramienta.

No tenga la herramienta en marcha mientras la lleva a su lado. El contacto accidental con la rueda que gira podría causar lesiones personales graves.

Nunca deje la herramienta en ningún sitio hasta que el motor se haya detenido por completo. La rueda que gira puede engancharse en la superficie y tirar de la herramienta haciendo que usted pierda el control.

No utilice el aditamento Zipmate cerca de materiales inflamables. Las chispas generadas por la rueda podrían incendiar estos materiales.

No corte ni intente cortar nunca magnesio con este aditamento. El polvo generado cuando se corta magnesio es altamente inflamable y puede ser explosivo bajo ciertas condiciones.

Limpie periódicamente las aberturas de ventilación de la herramienta utilizando aire comprimido. La acumulación excesiva de metal en polvo en el interior de la caja protectora del motor puede causar fallos eléctricos.

Causas del retroceso y su prevención por el operador:

El retroceso es una reacción repentina a una rueda que se pellizca, atasca o desalinea mientras está girando. La rueda puede detenerse y hacer que la herramienta fuera de control retroceda saliéndose del corte en dirección al operador cuando se encuentra en la posición de "disparo

de avance". Si la herramienta está ajustada en la posición de "disparo inverso", puede tender a desplazarse alejándose del operador. La flecha de sentido de rotación ubicada en el lado trasero del protector se puede utilizar para identificar las posiciones de "disparo de avance" y "disparo inverso". El aditamento está en la posición de disparo de avance cuando la flecha direccional está señalando hacia el operador, y está en la posición de disparo inverso cuando la flecha está señalando alejándose del operador.

Si una rueda abrasiva o una rueda adiamantada se tuerce o desalinea en el interior del corte, el lado de la rueda que está entrando en el material puede penetrar en la superficie superior del mismo, haciendo que la rueda se salga del corte o experimente retroceso dirigiéndose hacia el operador o alejándose de éste, según la orientación de disparo de avance o disparo inverso.

Las ruedas abrasivas también pueden hacerse pedazos en estas condiciones, haciendo que los pedazos o fragmentos golpeen al operador y a las personas que se encuentren presentes o haciendo que se les claven. El retroceso o las ruedas hechas pedazos son el resultado del uso incorrecto de la herramienta o de procedimientos incorrectos de utilización o condiciones inadecuadas y pueden evitarse tomando precauciones adecuadas según se indica a continuación:

Mantenga un agarre firme con las dos manos en los mangos de la herramienta y sitúe el cuerpo y el brazo de manera que le permitan resistir las fuerzas de retroceso. El operador puede controlar las fuerzas de retroceso si se toman precauciones adecuadas.

Cuando la rueda se atasque, o al interrumpir un corte por cualquier razón, saque lentamente la rueda del material a la vez que mantiene un agarre firme de la herramienta y del mango auxiliar con las dos manos. Investigue y tome medidas correctoras para eliminar la causa de que la rueda se atasque.

Al volver a poner en marcha una herramienta en una pieza de trabajo, centre la rueda en la separación de corte y compruebe que los lados de la rueda no estén acoplados en el material. Si la rueda se atasca, puede desplazarse hacia arriba o retroceder respecto a la pieza de trabajo al volver a poner en marcha la herramienta.

Soporte los paneles grandes para minimizar el riesgo de pellizcamiento de la rueda y retroceso. Los paneles grandes tienden a combarse bajo su propio peso. Deben colocarse soportes bajo el panel a ambos lados, cerca de la línea de corte y cerca del borde del panel.

Tenga precaución adicional al hacer un "corte de bolsillo" en paredes existentes o en otras áreas ciegas. La rueda que sobresale puede cortar objetos que pueden causar retroceso.

⚠ ADVERTENCIA Cierta polvo generado por el lijado, aserrado, amolado y taladrado mecánicos, y por otras actividades de construcción, contiene agentes químicos que se sabe que causan cáncer, defectos de nacimiento u otros

daños sobre la reproducción. Algunos ejemplos de estos agentes químicos son:

- Plomo de pinturas a base de plomo,
- Sílice cristalina de ladrillos y cemento y otros productos de mampostería, y
- Arsénico y cromo de madera tratada químicamente.

Su riesgo por causa de estas exposiciones varía, dependiendo de con cuánta frecuencia realice este tipo de trabajo. Para reducir su exposición a estos agentes químicos: trabaje en un área bien ventilada y trabaje con equipo de seguridad aprobado, como por ejemplo máscaras antipolvo que estén diseñadas especialmente para impedir mediante filtración el paso de partículas microscópicas.

Batería/cargador

Antes de utilizar el cargador de baterías, lea todas las instrucciones e indicaciones de precaución que se encuentran en (1) el cargador de baterías, (2) el paquete de baterías y (3) el producto que utiliza baterías.

Utilice solamente el cargador que acompañaba al el producto o un reemplazo directo según se indica en el catálogo o en este manual. No sustituirlo por ningún otro cargador. Utilice únicamente cargadores aprobados Bosch con su producto. Consulte Descripción funcional y especificaciones.

No desarme el cargador ni lo haga funcionar si ha recibido un golpe brusco, se ha caído o se ha dañado de cualquier modo. Cambie el cordón o los enchufes dañados inmediatamente. El reensamblaje incorrecto o los daños pueden ocasionar sacudidas eléctricas o incendio.

No recargue la batería en un entorno húmedo o mojado. No exponga el cargador a lluvia ni nieve. Si la caja de baterías está agrietada o dañada de algún otro modo, no la introduzca en el cargador. Se puede producir un cortocircuito de las baterías o un incendio.

Cargue únicamente baterías recargables aprobadas Bosch. Consulte Descripción funcional y especificaciones. Otros tipos de baterías pueden reventar causando lesiones personales y daños.

Cargue el paquete de baterías a temperaturas superiores a +40 grados F (4 grados C) e inferiores a

+105 grados F (41 grados C). Guarde la herramienta y el paquete de baterías en lugares donde las temperaturas no superen 120 grados F (49 grados C). Esto es importante para evitar daños graves a los elementos de la batería.

Se puede producir un escape del líquido de las baterías bajo condiciones extremas de uso o de temperatura. Evite el contacto con la piel y los ojos. El líquido de la batería es cáustico y podría causar quemaduras químicas en los tejidos. Si el líquido entra en contacto con la piel, lávela rápidamente con agua y jabón y luego con jugo de limón o vinagre. Si el líquido entra en contacto con los ojos, enjuáguelos con agua durante un mínimo de 10 minutos y obtenga atención médica.

Ponga el cargador sobre superficies planas ininflamables y alejado de materiales inflamables cuando recargue el paquete de baterías. El cargador y el paquete de baterías se calientan durante el proceso de carga. Las alfombras y otras superficies termoaislantes bloquean la circulación adecuada de aire, lo cual puede causar sobrecalentamiento del cargador y del paquete de baterías. Si observa humo o que la carcasa se está derritiendo, desenchufe inmediatamente el cargador y no utilice el paquete de baterías ni el cargador.

El uso de un accesorio no recomendado ni vendido por Bosch puede constituir un peligro de incendio, sacudidas eléctricas o lesiones a las personas.

Cuidado de las baterías

ADVERTENCIA Cuando las baterías no están en la herramienta o en el cargador, manténgalas alejadas de objetos metálicos. Por ejemplo, para evitar que las terminales hagan cortocircuito, **NO** ponga las baterías en una caja de herramientas o en un bolsillo con clavos, tornillos, llaves, etc. Se pueden producir un incendio o lesiones.

ADVERTENCIA Para evitar incendios o lesiones cuando las baterías no estén en la herramienta o en el cargador, ponga siempre la tapa protectora en el extremo del paquete de baterías. La tapa protectora protege contra el cortocircuitado de los terminales.

NO ARROJE LAS BATERIAS AL FUEGO NI LAS EXPONGA AL CALOR INTENSO. Pueden explotar.

Eliminación de las baterías

ADVERTENCIA No intente desarmar la batería ni quitar ninguno de los componentes que sobresalen de las terminales de la batería. Se pueden producir lesiones o un incendio. Antes de tirarla, proteja las terminales que están al descubierto con cinta adhesiva aislante gruesa para prevenir cortocircuitos.

BATERÍAS DE NIQUEL-CADMIO

Si este producto está equipado con una batería de níquel-cadmio, dicha batería debe recogerse, reciclarse o eliminarse de manera segura para el medio ambiente.



“El sello de reciclaje de baterías RBRC certificado por la EPA que se encuentra en la batería de níquel-cadmio (Ni-Cd) indica que Robert Bosch Tool Corporation está participando voluntariamente en un programa de la industria para

recoger y reciclar estas baterías al final de su vida útil, cuando se retiran de servicio en los Estados Unidos y Canadá. El programa RBRC proporciona una alternativa conveniente a tirar las baterías de Ni-Cd usadas a la basura o a la corriente municipal de aguas residuales, lo cual quizás sea ilegal en su área.

Tenga la amabilidad de llamar al 1-800-8-BATTERY para obtener información acerca de las prohibiciones/restricciones sobre el reciclaje y la eliminación de baterías de Ni-Cd en su lugar o devuelva las baterías a un Centro de servicio Skil/Bosch/Dremel para reciclarlas. La participación de Robert Bosch Tool Corporation en este programa es parte de nuestro compromiso hacia preservar nuestro medio ambiente y conservar nuestros recursos naturales.”

Símbolos

IMPORTANTE: Es posible que algunos de los símbolos siguientes se usen en su herramienta. Por favor, estúdielos y aprenda su significado. La interpretación adecuada de estos símbolos le permitirá utilizar la herramienta mejor y con más seguridad.

| Símbolo | Nombre | Designación/explicación |
|-----------------------------|---|---|
| V | Volt | Tensión (potencial) |
| A | Ampere | Corriente |
| Hz | Hertz | Frecuencia (ciclos por segundo) |
| W | Watt | Potencia |
| kg | Kilogramo | Peso |
| min | Minuto | Tiempo |
| s | Segundo | Tiempo |
| ∅ | Diámetro | Tamaño de las brocas taladradoras, muelas, etc. |
| n_0 | Velocidad sin carga | Velocidad rotacional sin carga |
| .../min | Revoluciones o alternación por minuto | Revoluciones, golpes, velocidad de superficie, órbitas, etc., por minuto |
| 0 | Posición "off" (apagado) | Velocidad cero, par motor cero... |
| 1, 2, 3, ... I, II, III, | Graduaciones del selector | Graduaciones de velocidad, par motor o posición. Un número más alto significa mayor velocidad |
| | Selector infinitamente variable con apagado | La velocidad aumenta desde la graduación de 0 |
| | Flecha | Acción en la dirección de la flecha |
| | Corriente alterna | Tipo o una característica de corriente |
| | Corriente continua | Tipo o una característica de corriente |
| | Corriente alterna o continua | Tipo o una característica de corriente |
| | Construcción de clase II | Designa las herramientas de construcción con aislamiento doble. |
| | Terminal de toma de tierra | Terminal de conexión a tierra |
| | Símbolo de advertencia | Alerta al usuario sobre mensajes de advertencia |
| | Sello RBRC de Ni-Cd | Designa el programa de reciclaje de baterías de Ni-Cd |



Este símbolo indica que esta herramienta está catalogada por Underwriters Laboratories.



Este símbolo indica que Underwriters Laboratories ha catalogado esta herramienta indicando que cumple las normas canadienses.



Este símbolo indica que esta herramienta cumple con la norma mexicana oficial (NOM).



Este símbolo indica que esta herramienta está catalogada por la Canadian Standards Association.

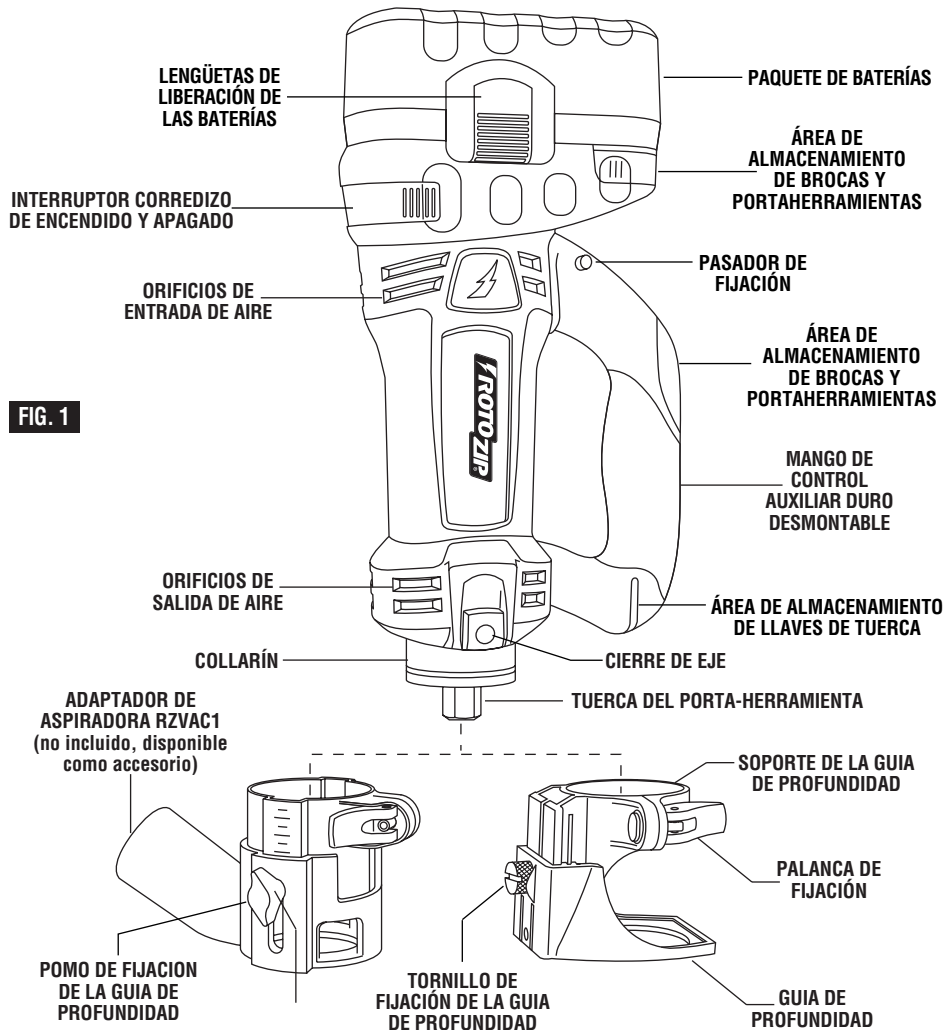


Este símbolo indica que esta herramienta está catalogada por Underwriters Laboratories y que Underwriters Laboratories la ha catalogado según las normas canadienses.

Descripción funcional y especificaciones

⚠ ADVERTENCIA Desconecte el paquete de baterías de la herramienta o ponga el interruptor en la posición fijada o de apagado antes de hacer cualquier ensamblaje, ajustes o cambiar accesorios. Dichas medidas preventivas de seguridad reducen el riesgo de arrancar la herramienta accidentalmente.

Sierra Spiral Saw™ inalámbrica



Herramienta

Número de modelo RZ18V
 Tensión nominal 18 V ~
 Capacidad sin carga n₀ 30 000/min

Cargador

BC003, 4, 6, BC016, BC130 y BC230
 Tensión nominal 120 V ~ 60 Hz
 Paquete de baterías BAT025, BAT026, BAT180 y BAT181

El cargador BC006 requiere alimentación de 12 V CC

NOTA: UTILICE ÚNICAMENTE LOS CARGADORES INDICADOS ANTERIORMENTE

Ensamblaje

⚠ ADVERTENCIA Desconecte el paquete de baterías de la herramienta o ponga el interruptor en la posición fijada o de apagado antes de hacer cualquier ensamblaje, ajustes o cambiar accesorios. Dichas medidas preventivas de seguridad reducen el riesgo de arrancar la herramienta accidentalmente. Asegúrese de que la tuerca del portaherramienta esté apretada firmemente antes de encender la herramienta.

DESMONTAJE E INSTALACIÓN DEL ENSAMBLAJE DE LA GUÍA DE PROFUNDIDAD

El ensamblaje de la guía de profundidad consta de la guía de profundidad, el tornillo de fijación y un soporte.

Con el fin de quitar la guía de profundidad de la herramienta, suelte la palanca de fijación y tire todo el ensamblaje directamente hacia fuera de la herramienta. Para volver a acoplar el ensamblaje, vuelva a colocar

completamente la guía en el collarín de la herramienta y fije la palanca de sujeción (figura 1).

REMOCIÓN E INSTALACIÓN DEL ADAPTADOR DE ASPIRADORA RZVAC1

(no incluido, disponible como accesorio)

El adaptador de aspiradora tiene el tamaño adecuado para aceptar mangueras de aspiración de 1-1/4".

El ensamblaje del adaptador de aspiradora consiste en el adaptador de aspiradora, el pomo de fijación y un soporte.

Para retirar de la herramienta el ensamblaje del adaptador de aspiradora, suelte la palanca de fijación y tire de todo el ensamblaje hasta sacarlo de la herramienta. Para reinstalar el ensamblaje, coloque de nuevo completamente el ensamblaje del adaptador de aspiradora sobre el collarín de la herramienta y bloquee la palanca de fijación (Fig. 1).

INSTALACIÓN DE LAS BROCAS (modelos estándar)

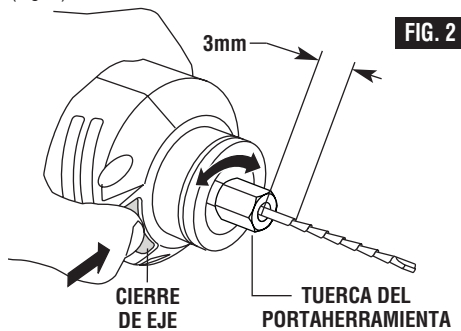
Las brocas son sujetadas mediante un sistema de portaherramienta. Utilice el portaherramienta de 1/8" (0.125"), 1/4" (0.250") ó 5/32" (0.156") dependiendo del tamaño del vástago de la broca.

⚠ ADVERTENCIA Las estrías de las brocas están afiladas y deben manejarse con precaución.

Presione y mantenga presionado el cierre del eje y gire la tuerca del portaherramienta y el eje hasta que el cierre del eje se acople y mantenga sujeto el eje.

⚠ PRECAUCIÓN Para evitar daños a la herramienta. Nunca use el cierre del eje como dispositivo de frenado para hacer que la herramienta deje de girar.

Utilice la llave de tuerca del equipo estándar para aflojar la tuerca (en sentido contrario al de las agujas del reloj) (Fig. 2).



Quite la broca vieja (en caso de que la haya) e introduzca la broca nueva tanto como sea posible, pero no tanto que las estrías de la broca se acoplen en el portaherramienta (deje aproximadamente 1/8" del vástago de la broca al descubierto). Reacople el cierre del eje y apriete la tuerca (en el sentido de las agujas del

reloj) a mano y luego con la llave de tuerca hasta que esté firmemente sujeta.

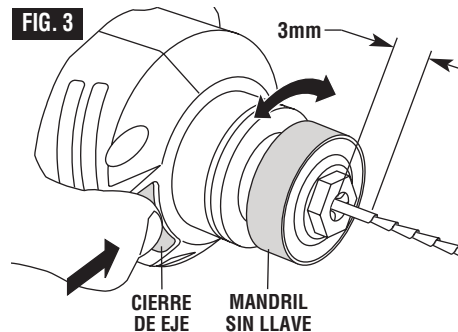
INSTALACIÓN DE LAS BROCAS (modelos de apriete sin llave)

Las brocas son sujetadas mediante un sistema de portaherramienta de apriete sin llave diseñado específicamente para brocas de sierra espiral con vástagos de 1/8" (0.125"), 1/4" (0.250") ó 5/32" (0.156").

Oprima y mantenga oprimido el cierre del eje y gire el mandril sin llave y el eje hasta que el cierre del eje se acople y fije el eje.

Gire el mandril sin llave en el sentido contrario al de las agujas del reloj (Fig. 3). Quite la broca vieja, si hay una, e inserte la broca nueva lo más adentro posible, pero sin que las estrías de la broca se enganchen en las mordazas del mandril (deje aproximadamente un 1/8 de pulgada (3 mm) del cuerpo de la broca expuesto). Vuelva a enganchar el cierre del eje y apriete firmemente el mandril sin llave (en el sentido de las agujas del reloj) a mano.

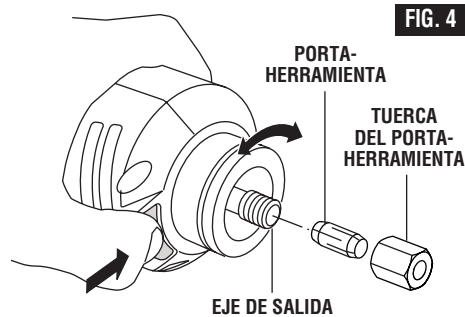
Nota: Cuando utilice brocas de 1/4 y 5/32 de pulgada, puede que se necesite usar una llave en la parte delantera del mandril sin llave para apretar firmemente la broca.



CAMBIO DEL PORTAHERRAMIENTA

El portaherramienta de 1/8" (0.125") se usa con brocas Zip de 1/8" (0.125") de diámetro, el portaherramienta de 1/4" (0.250") se utiliza con brocas Zip de 1/4" (0.250") de diámetro y el de 5/32" (0.156") se usa con brocas Zip de 5/32" (0.156") de diámetro. Para cambiar el portaherramienta, retire primero la broca Zip. Continúe aflojando y desenroscando la tuerca del portaherramienta hasta que pueda retirarla de la herramienta. Quite el portaherramienta y reemplácelo con otro (Fig. 4) (cada portaherramienta tiene dos extremos y se puede usar cualquiera de dichos extremos). Con la mano vuelva a apretar la tuerca del portaherramienta en el portaherramienta girándola hacia la derecha. Ahora puede insertar una nueva broca

Zip como se indica en la sección Instalación de las brocas (Fig. 2 ó 3).



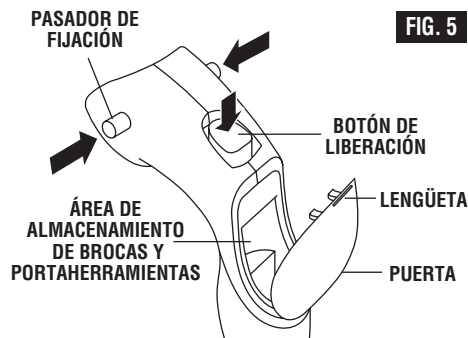
DESMONTAJE E INSTALACIÓN DEL MANGO DE CONTROL AUXILIAR DURO

Apague la herramienta y saque de ella el paquete de baterías. Agarre firmemente la herramienta. Presione y mantenga presionado el pasador de fijación desde cualquiera de los dos lados del mango. Mientras presiona el pasador de fijación, oprima el botón de liberación para que el pasador de fijación se acople y luego quite el mango (Fig. 5).

Con el pasador de fijación acoplado, acople suavemente los dos (2) pestillos delanteros del mango en la herramienta y empuje el mango hasta que se acople firmemente a presión en su sitio.

El mango está equipado con un área de almacenamiento de brocas y portaherramientas. Para abrir la puerta, tire hacia abajo de la lengüeta ubicada en la puerta, alejándola de la herramienta. Para cerrar la

puerta, levante la puerta hacia la herramienta. Asegúrese de que la puerta esté cerrada para impedir que las brocas se caigan.



Instrucciones de funcionamiento

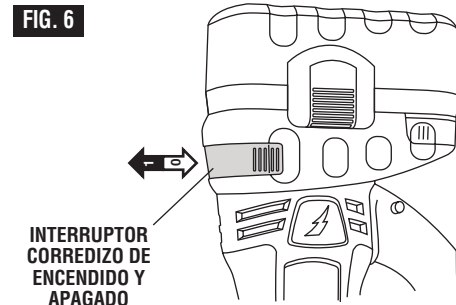
INTERRUPTOR CORREDIZO DE ENCENDIDO Y APAGADO

Esta herramienta se enciende mediante el interruptor corredizo ubicado en la parte delantera de la caja protectora del motor (Fig. 6).

PARA ENCENDER LA HERRAMIENTA, deslice el botón del interruptor hacia fuera, hasta la posición "I".

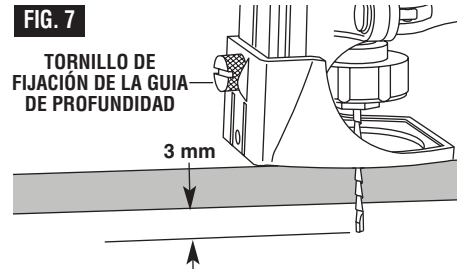
PARA APAGAR LA HERRAMIENTA, deslice el botón del interruptor hacia dentro, hasta la posición "0".

⚠️ ADVERTENCIA Sujete la herramienta con las dos manos al arrancarla, ya que el par ocasionado por el motor puede hacer que la herramienta se tuerza.



AJUSTE DE LA GUÍA DE PROFUNDIDAD

Utilice la guía de profundidad para ajustar la profundidad de corte. Con el extremo de la llave estándar afloje el tornillo (a la izquierda) hasta que la guía de la profundidad pueda deslizarse hacia arriba o abajo, a la profundidad deseada de corte (aproximadamente 1/8" mayor que el espesor del material) y vuelva a apretar el tornillo de fijación (en el sentido de las agujas del reloj) (Fig. 7).

**LIBERACION E INSERCIÓN DEL PAQUETE DE BATERÍAS**

Saque el paquete de baterías de la herramienta presionando sobre ambos lados de las lengüetas de liberación de las baterías y tire hacia abajo. Antes de introducir el paquete de baterías, quite la tapa

protectora de dicho paquete de baterías. Para introducir la batería, alinee la batería e introduzca el paquete de baterías en la herramienta hasta que quede fijo en su posición. No lo fuerce.

CARGA DEL PAQUETE DE BATERÍAS (CON BAHÍA ÚNICA DE 30 MINUTOS BC130)**INDICADORES, SIMBOLOS Y SIGNIFICADO**

Si la luz indicadora verde está apagada, el cargador no está recibiendo energía del tomacorriente de alimentación.



Si la luz indicadora verde está "ENCENDIDA", el cargador está enchufado pero el paquete de baterías no está introducido o el paquete de baterías se encuentra totalmente cargado y está siendo cargado continua y lentamente.



Si la luz indicadora verde "PARPADEA", el paquete de baterías está siendo cargado rápidamente. La carga rápida terminará automáticamente cuando el paquete de baterías esté totalmente cargado.



Si la luz indicadora roja está "ENCENDIDA", el paquete de baterías está demasiado caliente o demasiado frío para la carga rápida. El cargador cambiará a carga continua y lenta hasta que se alcance una temperatura adecuada, momento en el cual el cargador cambiará automáticamente a carga rápida.



Si la luz indicadora roja "PARPADEA", el paquete de baterías no puede aceptar una carga o los contactos del cargador o del paquete de baterías están contaminados. Limpie los contactos del cargador o del paquete de baterías únicamente tal como se indica en estas instrucciones de funcionamiento o en las que se suministran con la herramienta o con el paquete de baterías.

Enchufe el cordón del cargador en un tomacorriente eléctrico estándar. Antes de introducir el paquete de baterías, quite la tapa protectora y luego introduzca el paquete de baterías en el cargador (Fig. 8).

La luz indicadora verde del cargador comenzará a "PARPADEAR". Esto indica que la batería está recibiendo una carga rápida. La carga rápida se detendrá automáticamente cuando el paquete de baterías esté completamente cargado.

Cuando la luz indicadora deje de "PARPADEAR" (y se vuelva una luz verde constante), la carga rápida habrá terminado.

El paquete de baterías se puede usar incluso aunque la luz siga parpadeando. Puede que tenga que pasar más tiempo para que la luz deje de parpadear, según la temperatura. Cuando comience el proceso de carga del paquete de baterías, una luz roja constante también podría significar que el paquete de baterías está demasiado caliente o demasiado frío.

El propósito de la luz verde es indicar que el paquete de baterías se está cargando rápidamente. No indica el punto exacto de carga completa. La luz dejará de parpadear en menos tiempo si el paquete de baterías no estaba completamente descargado.

Al cargar varias baterías en secuencia, es posible que el tiempo de carga aumente ligeramente.

Cuando el paquete de baterías esté completamente cargado, desenchufe el cargador (a menos que vaya a cargar otro paquete de baterías) y vuelva a introducir el paquete de baterías en la herramienta.

Para evitar incendios o lesiones cuando las baterías no estén en la herramienta o en el cargador, ponga siempre la tapa protectora en el extremo del paquete de baterías.

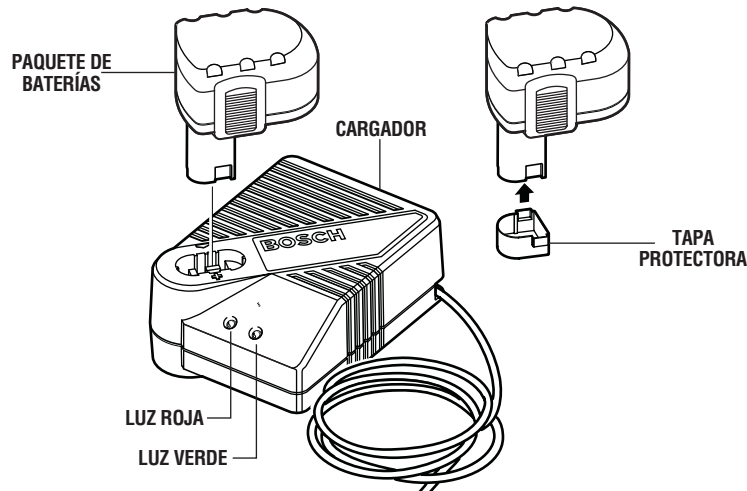


FIG. 8

NOTAS IMPORTANTES PARA CARGAR

1. El paquete de baterías acepta únicamente alrededor del 80 por ciento de su capacidad máxima en los primeros ciclos de carga. Sin embargo, después de los primeros ciclos de carga, la batería se cargará hasta su capacidad máxima.
2. El cargador fue diseñado para cargar la batería rápidamente sólo cuando la temperatura de la batería está entre 4°C (40°F) y 41°C (105°F).
3. Un descenso considerable en el tiempo de funcionamiento por carga puede significar que el paquete de baterías se está acercando al final de su vida y que debe ser sustituido.
4. Si espera que haya largos períodos (es decir, un mes o más) en los que no se use la herramienta, lo mejor es hacerla funcionar hasta que esté completamente descargada antes de guardar el paquete de baterías. Después de un largo período de almacenamiento, la capacidad después de la primera recarga será más baja. La capacidad normal se restaurará en dos o tres ciclos de carga/descarga.

Recuerde desenchufar el cargador durante el período de almacenamiento.

5. Si la batería no carga adecuadamente:
 - a. Compruebe que hay tensión en el tomacorriente enchufando algún otro dispositivo eléctrico.
 - b. Compruebe si el tomacorriente está conectado a un interruptor de luz que corta el suministro de energía cuando se apagan las luces.
 - c. Compruebe si hay suciedad en las terminales del paquete de baterías. Límpielas con un pedazo de algodón y alcohol si es necesario.
 - d. Si usted sigue sin obtener una carga adecuada, lleve o envíe la herramienta, el paquete de baterías y el cargador al Centro de servicio Bosch local. Busque bajo "Herramientas eléctricas" en las páginas amarillas para obtener nombres y direcciones.

Nota: La utilización de cargadores o paquetes de batería no vendidos por Bosch anulará la garantía.

HAGA CORTES DE ENSAYO

Después de instalar la Broca Zip en la herramienta y ajustar la guía de profundidad debe hacer algunos cortes para practicar con la herramienta antes de hacer el corte real.

La práctica le dará habilidad para hacer cortes profesionales..

Paso 1

Asegúrese de que la tuerca de la boquilla esté fija y segura antes de encender la herramienta.

Paso 2

Sujete firmemente la herramienta y enciéndala.

CONSEJOS PRÁCTICOS**Paso 3**

Sostenga la herramienta firmemente e inserte la Broca Zip en el material con un ángulo de 45 (Fig. 9).

Paso 4

Ponga la herramienta con cuidado en un ángulo de 90° para empezar a cortar (Fig. 10). La guía de la base debe quedar al ras con la superficie del material. Todos los materiales deben cortarse avanzando hacia la derecha (EXCEPTO al cortar alrededor de una caja de salida en un muro), en forma lenta y continua.

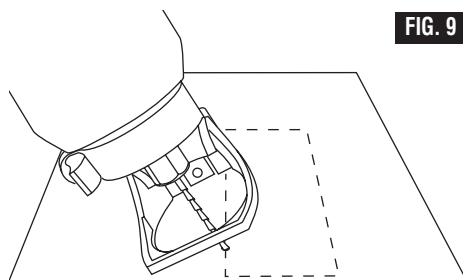
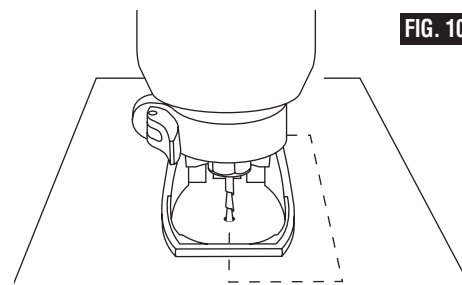
Paso 5

Al terminar su corte, apague la herramienta y retírela con cuidado del material.

No intente usar esta herramienta para hacer cortes alrededor de piezas fijas o aberturas con cables eléctricos vivos, o en una pared que pueda esconder cables eléctricos ya que la Broca Zip puede conducir la corriente a la herramienta y representar un riesgo de electrocución del operador. Apague los interruptores o retire los fusibles para desconectar el circuito. Al trabajar con la herramienta sosténgala siempre de la caja termoplástica y use protección para los ojos.

NOTA: Debido al funcionamiento giratorio de corte de la Broca Zip, se producirá un ligero tirón al cortar. Tendrá más control al cortar más lento. La presión excesiva o la rapidez al cortar pueden provocar el calentamiento excesivo y reducir la vida útil de la Broca Zip.

NOTA: Al cortar una superficie vertical evite terminar el corte en la parte inferior del orificio. Procure iniciar y terminar el corte en la parte superior de manera que la pieza que no va a utilizar no caiga en la Broca Zip que gira. Apague la herramienta y retírela del material.

**FIG. 9****FIG. 10****REALIZACION DE CORTES EN PARED DE TIPO SECO**

Después de ensamblar la broca en la herramienta tal como se describió anteriormente, será necesario estudiar las instrucciones proporcionadas más adelante y hacer algunos cortes de aberturas de práctica con esta herramienta antes de intentar realizar un trabajo real. El mejor método es tomar algunos pedazos de desecho y clavarlos o atornillarlos en su sitio sobre postes de pared que tengan una caja eléctrica u otro dispositivo colocado. Unos cuantos de dichos ejercicios le darán la práctica necesaria para realizar cortes de aberturas limpios y profesionales alrededor de lo que esté detrás de la pared de tipo seco que se esté instalando.

⚠ ADVERTENCIA No intente utilizar esta herramienta para hacer cortes de aberturas alrededor de cualquier dispositivo o abertura que tenga cables eléctricos con corriente ni en ninguna pared que pueda tener cables eléctricos con corriente detrás de ella, ya que la broca podría conducir la corriente hasta la herramienta, creando un peligro de electrocución para el operador. Desactive los cortacircuitos o quite los fusibles para desconectar el circuito. Sujete siempre la herramienta por su caja protectora termoplástica y use siempre protección de los ojos al utilizar este dispositivo.

Paso 1: Asegúrese de que la caja o el dispositivo que requiere un corte de abertura esté montado firmemente y de que todos los cables u otras obstrucciones alrededor de la abertura estén empujados hacia atrás, fuera del paso. La broca de corte de aberturas en pared de tipo seco usa el borde exterior de la caja o dispositivo como guía, por lo que es importante que no haya nada en el paso que pueda evitar que la guíe completamente alrededor de la abertura. Para los propósitos de este manual de instrucciones, el procedimiento comentado será hacer un corte de abertura alrededor de una caja eléctrica estándar de 2 1/8" x 3 3/4".

Paso 2

Deslice el interruptor para encender la herramienta. Mientras sujeta firmemente con las dos manos su herramienta Spiral Saw™, empuje la broca Zip en el lugar que haya marcado. Luego guíe la broca hacia la derecha hasta que sienta y escuche cuando la broca Zip toca el borde interno de la caja.

Paso 3

Saque la broca Zip sólo lo suficiente para deslizarla sobre el borde de la caja de modo que ahora la broca Zip se encuentre contra la parte exterior de la caja.

Paso 4

Al mismo tiempo que mantiene la broca Zip en contacto con el lado externo de la caja, mueva la herramienta en el sentido contrario al de las agujas del reloj mientras aplica ligeramente una presión hacia adentro y hacia arriba hasta que sienta cuando llegue a la esquina. A medida que dé la vuelta a la esquina aplique una presión ligera hacia la izquierda y hacia abajo.

Paso 5

Al mismo tiempo que se mueve lenta y continuamente a lo largo del contorno superior usted

sentirá cuando la broca llegue a la próxima esquina. Dé la vuelta a la esquina y aplique una presión ligera hacia abajo y hacia adentro hasta que llegue a la esquina de la parte inferior.

Paso 6

Mueva la broca Zip hacia la derecha y hacia arriba manteniendo una presión ligera y continua hacia la caja.

Paso 7

Dé la vuelta a la esquina derecha de la parte inferior y comience a mover la broca Zip hacia arriba al mismo tiempo que aplica una presión ligera hacia la izquierda y hacia la caja hasta que se encuentre con el corte inicial hacia arriba. Empuje el interruptor de la herramienta Spiral Saw hacia la posición de apagado.

Paso 8

La caja terminada, ejecutada rápidamente, en debida forma — y en una fracción del tiempo que se tarda con otros métodos.

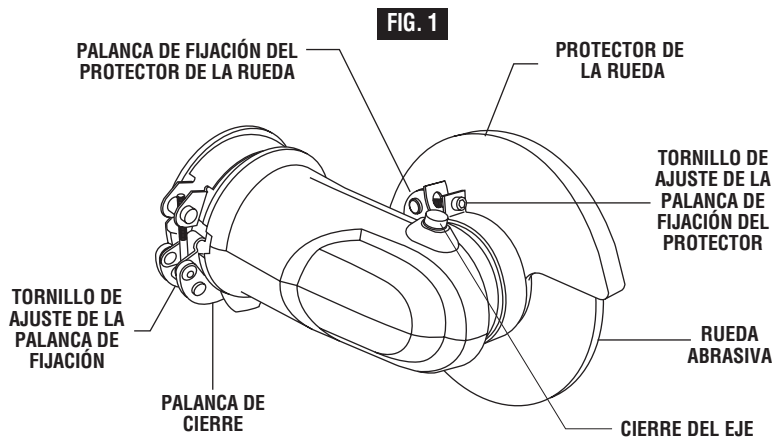
Estas instrucciones paso por paso están generalizadas para familiarizarle con el funcionamiento de la Spiral Saw. Después de un poco de práctica, usted podrá desarrollar una técnica de movimiento con la que se sienta más cómodo. Sin embargo, siempre debe comenzar el corte algo hacia el centro y MOVER LA SPIRAL SAW ÚNICAMENTE EN SENTIDO CONTRARIO AL DE LAS AGUJAS DEL RELOJ para aprovechar la acción de "abrazo" de la broca al girar a lo largo de los contornos de la plantilla. Un movimiento en el sentido de las agujas del reloj hará con toda seguridad que la broca rebote alejándose de la plantilla, y el resultado será un corte de abertura dañado. Recuerde usar un movimiento suave y continuo.

Descripción funcional y especificaciones

ADVERTENCIA El aditamento Zipmate se debe utilizar solamente con un mango lateral de control auxiliar duro. El control de los mangos de agarre sólido usando las dos manos proporcionará suficiente control de la rueda de corte en caso de retroceso.

ADVERTENCIA Desconecte el paquete de baterías de la herramienta o ponga el interruptor en la posición fijada o de apagado antes de hacer cualquier ensamblaje, ajustes o cambiar accesorios. Dichas medidas preventivas de seguridad reducen el riesgo de arrancar la herramienta accidentalmente.

Aditamento de rueda abrasiva Zipmate®



Recomendado para utilizarse con las herramientas giratorias Rebel y Revolution, y con todas las sierras Spiral Saw modelos RZ.

ADVERTENCIA Se debe obtener el mango de control auxiliar duro para los modelos RZ1 y RZ25. Llame al 1-877-ROTOZIP.

Nota: La velocidad de su herramienta se reducirá 2:1 al usar el accesorio de rueda abrasiva.

Ensamblaje

ADVERTENCIA Utilice siempre el mango auxiliar para obtener un control máximo de la reacción del par motor o el retroceso. El funcionamiento de la herramienta sin el mango auxiliar puede causar la pérdida de control de la herramienta, lo que puede producir posibles lesiones personales graves.

DESМONTAJE E INSTALACIÓN DEL ACCESORIO DE RUEDA ABRASIVA

ADVERTENCIA Desconecte el paquete de baterías de la herramienta o ponga el interruptor en la posición fijada o de apagado antes de hacer cualquier ensamblaje, ajustes o cambiar accesorios. Dichas medidas preventivas de seguridad reducen el riesgo de arrancar la herramienta accidentalmente.

Asegúrese de que la tuerca del portaherramienta esté apretada firmemente antes de encender la herramienta.

PRECAUCION No utilice un mandril de apriete sin llave con el accesorio de rueda abrasiva. La utilización de un mandril de apriete sin llave puede causar daños al mandril de apriete sin llave o al aditamento de rueda abrasiva.

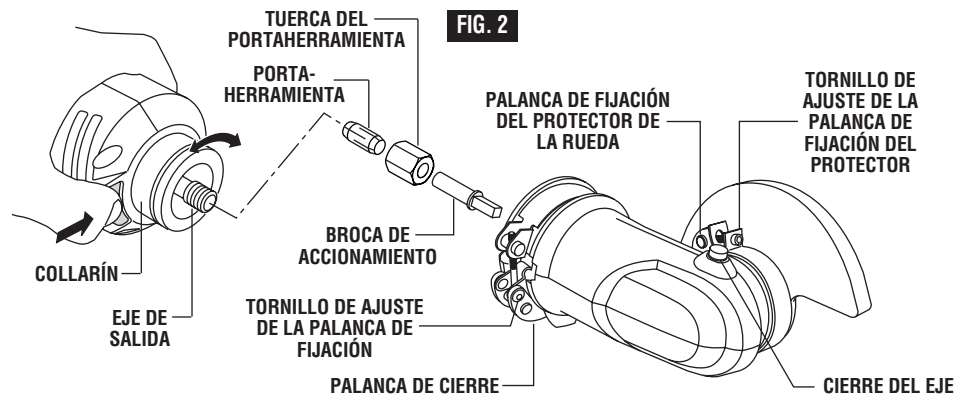
1. Introduzca el portaherramienta de 1/4" en la tuerca del portaherramienta. Enrosque de modo flojo la tuerca del portaherramienta en el eje de salida (Fig. 2).
2. Introduzca la broca de accionamiento en el portaherramienta hasta que se detenga y apriete firmemente la tuerca del porta-herramienta con la llave de tuerca.

3. Abra la palanca de cierre y posicione el aditamento sobre el collarín. Nota: Puede que sea necesario girar ligeramente el aditamento y sujetar los cierres del eje de la herramienta y del eje del aditamento para acoplar el extremo cuadrado de la broca de accionamiento en el aditamento.

4. Coloque el aditamento tal como se muestra y cierre la palanca de sujeción.

Use la llave Allen para ajustar el tornillo de ajuste de la palanca de fijación.

PRECAUCIÓN Si se aprieta excesivamente el tornillo de ajuste de la palanca de fijación, se puede dañar permanentemente el mecanismo de fijación. Compruebe la tensión de la palanca después de cada vuelta completa del tornillo de ajuste.



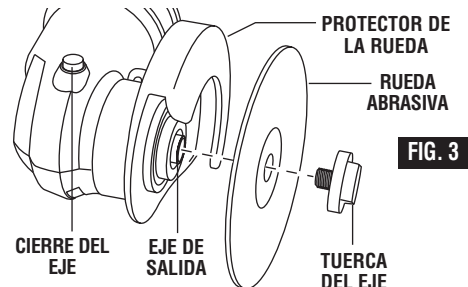
INSTALACIÓN DE LAS RUEDAS ABRASIVAS

Utilice siempre la tuerca de eje portaherramienta que tenga el mismo tamaño de rosca que el eje de salida.

1. Instale la rueda abrasiva en el eje de salida.
2. Enrosque la tuerca del eje portaherramienta suministrada en el eje de salida apretándola con los dedos, presione el cierre del eje y apriete la rueda con la llave de tuerca suministrada (Fig. 3).

ADVERTENCIA No apriete demasiado. Pueden producirse grietas en la rueda si se la aprieta demasiado. Utilice la llave de tuerca suministrada con la herramienta. Otras llaves de tuerca podrían promover un apriete excesivo.

ADVERTENCIA No presione el cierre del eje mientras la herramienta esté en marcha. Presionar el cierre del eje podría hacer que la rueda se salga mientras gira o que dañe la herramienta.



Instrucciones de funcionamiento

REALIZACIÓN DE CORTES

1. Asegúrese de que el material a cortar esté inmobilizado en un tornillo de carpintero o en un aparato antes de tratar de cortarlo.
2. Mantenga el cuerpo situado a uno de los dos lados de la rueda pero no en línea con la rueda. Es importante soportar la herramienta adecuadamente y situar el cuerpo de manera que se minimice la exposición del cuerpo a un atasco y retroceso de la rueda.

3. Agarre la herramienta con ambas manos cuando esté realizando un corte y asegúrese siempre de estar listo y ser capaz de controlar el corte.
4. Evite atorar, torcer o pellizcar la rueda con la pieza de trabajo o ejercer una presión lateral excesiva sobre la rueda.
5. Mantenga la cubierta del protector entre la rueda y el usuario.
6. Asegúrese de que la palanca de fijación del protector esté en la posición cerrada y de que el protector esté

montado de modo seguro en el aditamento. Utilice la llave Allen para ajustar el tornillo de ajuste del protector.

7. La profundidad máxima de corte es 11/16 de pulgada (17 mm).

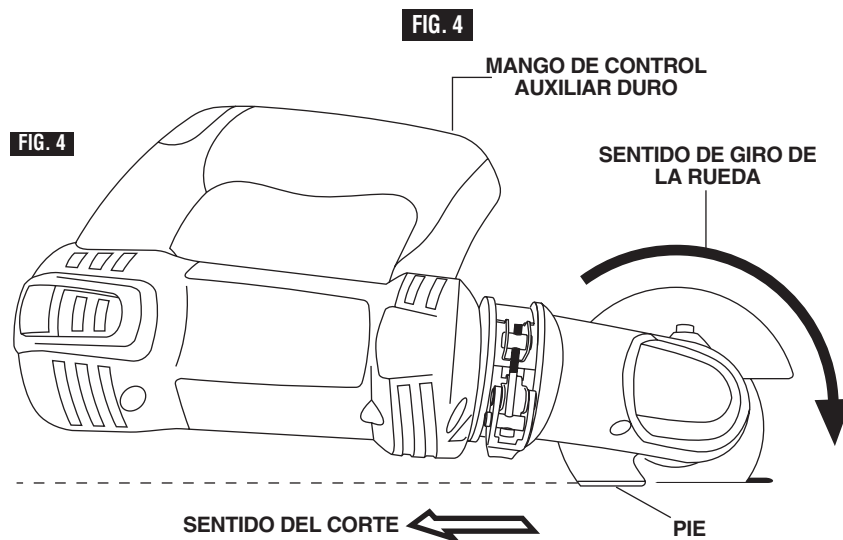
PRECAUCIÓN Si se aprieta excesivamente el tornillo de ajuste del protector, se puede dañar permanentemente el mecanismo de fijación. Compruebe la tensión de la palanca después de cada vuelta completa del tornillo de ajuste.

ADVERTENCIA Para evitar retrocesos y daños a la herramienta, asegúrese siempre de que las pestañas interiores o exteriores nunca entren en contacto con la superficie de la pieza de trabajo.

8. Generalmente, mientras más duro sea el material con que se trabaja, más rápido se desgastará la rueda.

9. Cuando corte materiales más gruesos, nunca haga el corte en una pasada. Haga pasadas sucesivas hasta que llegue a la profundidad deseada.

10. Cuando use la rueda adiamantada, no haga cortes continuos prolongados. Deje que la hoja se enfríe durante aproximadamente 10 segundos por cada minuto de corte.



APLICACIONES

Esta herramienta está diseñada para cortar los materiales siguientes.

Chapa de acero de 1/8 de pulgada (3 mm) de espesor máximo.

Loseta de piso y de pared.

Bloques y ladrillos de concreto de cenizas.

Varillas de refuerzo - generalmente de menos de 5/8 de pulgada (15 mm) de diámetro.

Mallas metálicas para concreto de 1/8 de pulgada (3 mm).

Conductos portables de espesor de pared de 1/8 de pulgada (3 mm).

Perfiles estructurales de 1/8 de pulgada (3 mm) de espesor máximo, tales como: canales, ángulos, placas, etc.

ATENCIÓN: Si hace funcionar la herramienta continuamente durante más de 5 minutos, es normal que la carcasa se sienta caliente.

Es importante que lea y entienda la sección de este manual denominada "Causas del retroceso y su prevención por el operador".

Cuando realice cortes en chapa metálicas, mampostería, etc.: Puede empezar el corte en el extremo de la pieza o puede realizar un corte de descenso vertical en cualquier parte del cuerpo del material.

Con el fin de evitar los retrocesos (una situación donde la rueda quiere saltarse otro material), se recomienda que haga los cortes en el mismo sentido del giro de la rueda (figura 4).

Mantenimiento

Servicio

⚠ ADVERTENCIA **NO HAY PIEZAS EN EL INTERIOR QUE PUEDAN SER AJUSTADAS O REPARADAS POR EL USUARIO. El mantenimiento preventivo realizado por personal no autorizado puede dar lugar a la colocación incorrecta de cables y componentes internos que podría constituir un peligro serio.** Recomendamos que todo el servicio de las herramientas sea realizado en un Centro de servicio de fábrica Bosch o en una Estación de servicio Bosch autorizada. **TECNICOS DE REPARACIONES:** Desconecten la herramienta y/o el cargador de la fuente de energía antes de realizar servicio de ajustes y reparaciones.

BATERÍAS

Esté alerta a los paquetes de baterías que estén aproximándose al final de su vida útil. Si observa una disminución del rendimiento de la herramienta o un tiempo de funcionamiento significativamente más corto entre cargas, entonces ha llegado el momento de cambiar el paquete de baterías. Si no se hace esto, el resultado puede ser que la herramienta funcione incorrectamente o que el cargador se dañe.

Cuando la batería se almacene a largo plazo, debe estar en estado de descarga. Los paquetes de baterías duran más y se recargan mejor cuando se almacenan descargados. Recuerde recargar completamente los paquetes de baterías antes de utilizarlos después de un almacenamiento prolongado.

LUBRICACION DE LAS HERRAMIENTAS

Su herramienta Bosch ha sido lubricada adecuadamente y está lista para la utilización.

LUBRICACIÓN DEL MANDRIL

El mandril de apriete sin llave ha sido lubricado apropiadamente y está listo para utilizarse. Si las mordazas del mandril empiezan a agarrarse durante el uso, el mandril requiere lubricación. Para lubricar el

mandril, quite primero los residuos del interior del mandril utilizando aire comprimido. Aplique una cantidad de grasa de uso general del tamaño de una arveja a los lados de las mordazas y ajuste el mandril en todo su intervalo de movimiento para distribuir la grasa.

MOTORES "CORRIENTE DIRECTA"

El motor de la herramienta ha sido diseñado para muchas horas de servicio fiable. Para mantener un rendimiento óptimo del motor, recomendamos que éste sea examinado cada seis meses. Sólo se debe usar un motor de repuesto Bosch genuino diseñado especialmente para la herramienta.

RODAMIENTOS

Los rodamientos que se vuelven ruidosos (debido a la pesada carga o al corte de materiales muy abrasivos) deben ser sustituidos inmediatamente para evitar el sobrecalentamiento y el fallo del motor.

Limpieza

⚠ ADVERTENCIA **Para evitar accidentes, desconecte siempre la herramienta y/o el cargador de la fuente de energía antes de la limpieza.** La herramienta se puede limpiar más eficazmente con aire comprimido seco. **Use gafas de seguridad siempre que limpie herramientas con aire comprimido.**

Las aberturas de ventilación y las palancas de interruptor deben mantenerse limpias y libres de materias extrañas. No intente limpiar introduciendo objetos puntiagudos a través de las aberturas.

⚠ PRECAUCION **Ciertos agentes de limpieza y disolventes dañan las piezas de plástico.** Algunos de estos son: gasolina, tetracloruro de carbono, disolventes de limpieza clorados, amoníaco y detergentes domésticos que contienen amoníaco.

Cordones de extensión

⚠ ADVERTENCIA **Si es necesario un cordón de extensión, se debe usar un cordón con conductores de tamaño adecuado que sea capaz de transportar la corriente necesaria para la herramienta.** Esto evitará caídas de tensión excesivas, pérdida de potencia o recalentamiento. Las herramientas conectadas a tierra deben usar cordones de extensión de 3 hilos que tengan enchufes de 3 terminales y receptáculos para 3 terminales.

NOTA: Cuanto más pequeño es el número de calibre, más grueso es el cordón.

TAMAÑOS RECOMENDADOS DE CORDONES DE EXTENSION HERRAMIENTAS DE 120 V CORRIENTE ALTERNA

| Capacidad nominal en amperes de la herramienta | Tamaño del cordón en A.W.G. | | | | Tamaños del cable en mm ² | | | |
|--|-----------------------------|----|-----|-----|--------------------------------------|------|-----|-----|
| | Longitud del cordón en pies | | | | Longitud del cordón en metros | | | |
| | 25 | 50 | 100 | 150 | 15 | 30 | 60 | 120 |
| 3-6 | 18 | 16 | 16 | 14 | 0,75 | 0,75 | 1,5 | 2,5 |
| 6-8 | 18 | 16 | 14 | 12 | 0,75 | 1,0 | 2,5 | 4,0 |
| 8-10 | 18 | 16 | 14 | 12 | 0,75 | 1,0 | 2,5 | 4,0 |
| 10-12 | 16 | 16 | 14 | 12 | 1,0 | 2,5 | 4,0 | — |
| 12-16 | 14 | 12 | — | — | — | — | — | — |

Accesorios y aditamentos

ADVERTENCIA Con esta herramienta, utilice únicamente accesorios Robert Bosch Tool Corporation recomendados. Los accesorios que puedan ser adecuados para una herramienta pueden convertirse en un peligro cuando se utilicen en otra.

Los aditamentos que son compatibles con las sierras espirales Rotozip son los siguientes:
(es posible que estos artículos se vendan por separado)

- | | |
|--------------------------------------|--------------------------------|
| Aditamento de rueda abrasiva Zipmate | Fresadora de descenso vertical |
| Adaptador de aspiradora RZVAC1 | Mango de sierra caladora |
| Guías de corte en círculo | Eje flexible |
| Guía de borde recto | |

Brocas Zip®

La línea patentada de Brocas Zip y accesorios versátiles Zip de Robert Bosch Tool Corporation, le brindan flexibilidad para pasar rápidamente de un material a otro y de un trabajo a otro sin el inconveniente de cambiar de herramienta.



| Tarjeta de la Broca Zip | SC5 | TC1 | DC1 | FBR1 | GP10 | ZB10 | WD1 |
|---------------------------------|-----|-----|-----|------|------|------|-----|
| Materiales | | | | | | | |
| Losa Acústica | ● | | | | | | |
| Acrílico | ● | | | | | | |
| Chapa de Aluminio | | | | | | | |
| Tablones de cemento | | ● | ● | | | | |
| Losa de Cerámica Mural | | ● | | | | | |
| Muro de Piedra en Seco | | | | | ● | ● | ● |
| Fibra de Vidrio | ● | | | | | | |
| Fiberock | | | | | ● | | |
| Plancha de Espuma | ● | | | | | | ● |
| Madera Dura | ● | | | | | | |
| Laminados | ● | | | | | | |
| Varilla | ● | | | | | | |
| Mármol | | ● | | | | | |
| O.S.B. | ● | | | | | | |
| Yeso | ● | ● | ● | | | | |
| Plástico | ● | | | | | | |
| Madera Contrachapada | ● | | | | | | |
| Materiales de Superficie | ● | | | | | | |
| Estuco | ● | ● | ● | | | | |
| Capas Debajo del Piso de Madera | ● | | | | | | |
| Chapa de Vinilo | ● | | | | | | |
| Madera | ● | | | | | | |
| Compuestos de Madera | ● | | | | | | |



RZmas2 Rueda de corte para mampostería

Para ladrillos, cemento, bloques de hormigón, concreto, piedra, piedra caliza, tablas de material compuesto, fibras de vidrio, material laminado.



RZmet2 Rueda de corte para metales

Para metales ferrosos, ángulos de hierro, canaletas, hierro, tuberías, hojas metálicas, acero inoxidable.

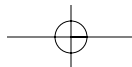
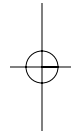
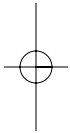


RZdia1 Rueda de Diamante

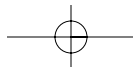
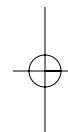
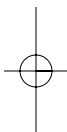
Para baldosas de piso, concreto, piedra, losetas de cerámica y otros materiales no metálicos muy duros.

Para obtener una lista completa de accesorios y aditamentos Rotozip, visite nuestro sitio Web www.rotoszip.com

Notes:



Remarques :
Notas:



LIMITED WARRANTY OF BOSCH PORTABLE AND BENCHTOP POWER TOOLS

Robert Bosch Tool Corporation ("Seller") warrants to the original purchaser only, that all BOSCH portable and benchtop power tools will be free from defects in material or workmanship for a period of one year from date of purchase. SELLER'S SOLE OBLIGATION AND YOUR EXCLUSIVE REMEDY under this Limited Warranty and, to the extent permitted by law, any warranty or condition implied by law, shall be the repair or replacement of parts, without charge, which are defective in material or workmanship and which have not been misused, carelessly handled, or misrepaired by persons other than Seller or Authorized Service Station. To make a claim under this Limited Warranty, you must return the complete portable or benchtop power tool product, transportation prepaid, to any BOSCH Factory Service Center or Authorized Service Station. For Authorized BOSCH Power Tool Service Stations, please refer to your phone directory.

THIS LIMITED WARRANTY DOES NOT APPLY TO ACCESSORY ITEMS SUCH AS CIRCULAR SAW BLADES, DRILL BITS, ROUTER BITS, JIGSAW BLADES, SANDING BELTS, GRINDING WHEELS AND OTHER RELATED ITEMS.

ANY IMPLIED WARRANTIES SHALL BE LIMITED IN DURATION TO ONE YEAR FROM DATE OF PURCHASE. SOME STATES IN THE U.S., SOME CANADIAN PROVINCES DO NOT ALLOW LIMITATIONS ON HOW LONG AN IMPLIED WARRANTY LASTS, SO THE ABOVE LIMITATION MAY NOT APPLY TO YOU.

IN NO EVENT SHALL SELLER BE LIABLE FOR ANY INCIDENTAL OR CONSEQUENTIAL DAMAGES (INCLUDING BUT NOT LIMITED TO LIABILITY FOR LOSS OF PROFITS) ARISING FROM THE SALE OR USE OF THIS PRODUCT. SOME STATES IN THE U.S. AND SOME CANADIAN PROVINCES DO NOT ALLOW THE EXCLUSION OR LIMITATION OF INCIDENTAL OR CONSEQUENTIAL DAMAGES, SO THE ABOVE LIMITATION OR EXCLUSION MAY NOT APPLY TO YOU.

THIS LIMITED WARRANTY GIVES YOU SPECIFIC LEGAL RIGHTS, AND YOU MAY ALSO HAVE OTHER RIGHTS WHICH VARY FROM STATE TO STATE IN THE U.S., PROVINCE TO PROVINCE IN CANADA AND FROM COUNTRY TO COUNTRY.

THIS LIMITED WARRANTY APPLIES ONLY TO PORTABLE AND BENCHTOP ELECTRIC TOOLS SOLD WITHIN THE UNITED STATES OF AMERICA, CANADA AND THE COMMONWEALTH OF PUERTO RICO. FOR WARRANTY COVERAGE WITHIN OTHER COUNTRIES, CONTACT YOUR LOCAL BOSCH DEALER OR IMPORTER.

GARANTIE LIMITÉE DES OUTILS ÉLECTRIQUES PORTATIFS ET D'ÉTABLI BOSCH

Robert Bosch Tool Corporation (le « vendeur ») garantit à l'acheteur initial seulement que tous les outils électriques portatifs et d'établi BOSCH seront exempts de vices de matériaux ou d'exécution pendant une période d'un an depuis la date d'achat. LA SEULE OBLIGATION DU VENDEUR ET LE SEUL RECOURS DE L'ACHETEUR sous la présente garantie limitée, et en autant que la loi le permette sous toute garantie ou condition implicite qui en découlerait, sera l'obligation de remplacer ou réparer gratuitement les pièces défectueuses matériellement ou comme fabrication, pourvu que lesdites défectosités ne soient pas attribuables à un usage abusif ou à quelque réparation bricolée par quelqu'un d'autre que le vendeur ou le personnel d'une station-service agréée. Pour présenter une réclamation en vertu de cette garantie limitée, vous devez renvoyer l'outil électrique portatif ou d'établi complet, port payé, à tout centre de service agréé ou centre de service usine. Veuillez consulter votre annuaire téléphonique pour les adresses.

LA PRÉSENTE GARANTIE NE S'APPLIQUE PAS AUX ACCESSOIRES TELS QUE LAMES DE SCIÉS CIRCULAIRES, MÊCHES DE PERCEUSES, FERS DE TÔUPIES, LAMES DE SCIÉS SAUTEUSES, COURROIES DE PONÇAGE, MEULES ET AUTRES ARTICLES DU GENRE.

TOUTE GARANTIE IMPLICITE SERA LIMITÉE COMME DURÉE À UN AN À COMPTER DE LA DATE D'ACHAT. CERTAINS ÉTATS AMÉRICAINS, CERTAINES PROVINCES CANADIENNES N'ADMETTANT PAS LE PRINCIPE DE LA LIMITATION DE LA DURÉE DES GARANTIES IMPLICITES, IL EST POSSIBLE QUE LES LIMITATIONS CI-DESSUS NE S'APPLIQUENT PAS À VOTRE CAS.

EN AUCUN CAS LE VENDEUR NE SAURAIT ÊTRE TENU POUR RESPONSABLE DES INCIDENTS OU DOMMAGES INDIRECTS (INCLUANT, MAIS NE SE LIMITANT PAS AUX PERTES DE PROFITS) CONSÉCUTIFS À LA VENTE OU L'USAGE DE CE PRODUIT. CERTAINS ÉTATS AMÉRICAINS ET CERTAINES PROVINCES CANADIENNES N'ADMETTANT PAS LE PRINCIPE DE LA LIMITATION NI L'EXCLUSION DES DOMMAGES INDIRECTS ET CONSÉQUENTIELS, IL EST POSSIBLE QUE LES LIMITATIONS OU EXCLUSIONS CI-DESSUS NE S'APPLIQUENT PAS À VOTRE CAS.

LA PRÉSENTE GARANTIE VOUS ACCORDE DES DROITS BIEN DÉTERMINÉS, Y COMPRIS POSSIBLEMENT CERTAINS DROITS VARIABLES DANS LES DIFFÉRENTS ÉTATS AMÉRICAINS, PROVINCES CANADIENNES.

CETTE GARANTIE LIMITÉE NE S'APPLIQUE QU'ÀUX OUTILS ÉLECTRIQUES PORTATIFS ET D'ÉTABLI VENDUS AUX ÉTATS-UNIS D'AMÉRIQUE, AU CANADA ET AU COMMONWEALTH DE PORTO RICO. POUR COUVERTURE DE GARANTIE DANS LES AUTRES PAYS, CONTACTEZ VOTRE IMPORTATEUR OU REVENDEUR BOSCH LOCAL.

GARANTIA LIMITADA PARA HERRAMIENTAS MECANICAS PORTATILES Y PARA TABLERO DE BANCO BOSCH

Robert Bosch Tool Corporation ("el Vendedor") garantiza, únicamente al comprador original, que todas las herramientas mecánicas portátiles y para tablero de banco BOSCH estarán libres de defectos de material o de fabricación durante un periodo de un año a partir de la fecha de compra. LA ÚNICA OBLIGACION DEL VENDEDOR Y EL RECURSO EXCLUSIVO QUE USTED TIENE bajo esta Garantía Limitada y, hasta donde la ley lo permita, bajo cualquier garantía o condición implícita por ley, consistirá en la reparación o sustitución sin costo de las piezas que presenten defectos de material o de fabricación y que no hayan sido utilizadas incorrectamente, manejadas descuidadamente o reparadas incorrectamente por personas que no sean el Vendedor o una Estación de servicio autorizada. Para efectuar una reclamación bajo esta Garantía Limitada, usted debe devolver el producto, que consiste en la herramienta mecánica portátil o para tablero de banco completa, con el transporte pagado, a cualquier Centro de servicio de fábrica o Estación de servicio autorizada. Para Estaciones de servicio autorizadas de herramientas mecánicas BOSCH, por favor, consulte el directorio telefónico.

ESTA GARANTIA LIMITADA NO SE APLICA A ARTICULOS ACCESORIOS TALES COMO HOJAS PARA SIERRAS CIRCULARES, BROCAS PARA TALADROS, BROCAS PARA FRESADORAS, HOJAS PARA SIERRAS DE VAIVEN, CORREAS PARA LIJAR, RUEDAS DE AMOLAR Y OTROS ARTICULOS RELACIONADOS.

TODAS LAS GARANTIAS IMPLICITAS TENDRAN UNA DURACION LIMITADA A UN AÑO A PARTIR DE LA FECHA DE COMPRA. ALGUNOS ESTADOS DE LOS EE.UU., ALGUNAS PROVINCIAS CANADIENSES NO PERMITEN LIMITACIONES EN CUANTO A LA DURACION DE UNA GARANTIA IMPLICITA. POR LO QUE ES POSIBLE QUE LA LIMITACION ANTERIOR NO SEA APLICABLE EN EL CASO DE USTED.

EL VENDEDOR NO SERA RESPONSABLE EN NINGUN CASO DE NINGUN DAÑO INCIDENTAL O EMERGENTE (INCLUYENDO PERO NO LIMITADO A RESPONSABILIDAD POR PERDIDA DE BENEFICIOS) QUE SE PRODUZCA COMO CONSECUENCIA DE LA VENTA O UTILIZACION DE ESTE PRODUCTO. ALGUNOS ESTADOS DE LOS EE.UU. Y ALGUNAS PROVINCIAS CANADIENSES NO PERMITEN LA EXCLUSION O LIMITACION DE LOS DAÑOS INCIDENTALES O EMERGENTES, POR LO QUE ES POSIBLE QUE LA LIMITACION O EXCLUSION ANTERIOR NO SEA APLICABLE EN EL CASO DE USTED.

ESTA GARANTIA LIMITADA LE CONFIERE A USTED DERECHOS LEGALES ESPECIFICOS Y ES POSIBLE QUE USTED TAMBIEN TENGA OTROS DERECHOS QUE VARIAN DE ESTADO A ESTADO EN LOS EE.UU., DE PROVINCIA A PROVINCIA EN CANADA.

ESTA GARANTIA LIMITADA SE APLICA SOLAMENTE A HERRAMIENTAS ELECTRICAS PORTATILES Y PARA TABLERO DE BANCO VENDIDAS EN LOS ESTADOS UNIDOS DE AMERICA, CANADA Y EL ESTADO LIBRE ASOCIADO DE PUERTO RICO. PARA COBERTURA DE GARANTIA EN OTROS PAISES, PONGASE EN CONTACTO CON SU DISTRIBUIDOR O IMPORTADOR LOCAL DE BOSCH.

© Robert Bosch Tool Corporation 1800 W. Central Road Mt. Prospect, IL 60056-2230

Exportado por: Robert Bosch Tool Corporation Mt. Prospect, IL 60056 -2230, E.U.A.

Importado en México por: Robert Bosch, S.A. de C.V., Calle Robert Bosch No. 405, Zona Industrial, Toluca, Edo. de México, C.P. 50070, Tel. (722) 2792300

2610925600 09/05

Printed in Mexico

Free Manuals Download Website

<http://myh66.com>

<http://usermanuals.us>

<http://www.somanuals.com>

<http://www.4manuals.cc>

<http://www.manual-lib.com>

<http://www.404manual.com>

<http://www.luxmanual.com>

<http://aubethermostatmanual.com>

Golf course search by state

<http://golfingnear.com>

Email search by domain

<http://emailbydomain.com>

Auto manuals search

<http://auto.somanuals.com>

TV manuals search

<http://tv.somanuals.com>