

IMPORTANT:
Read Before Using

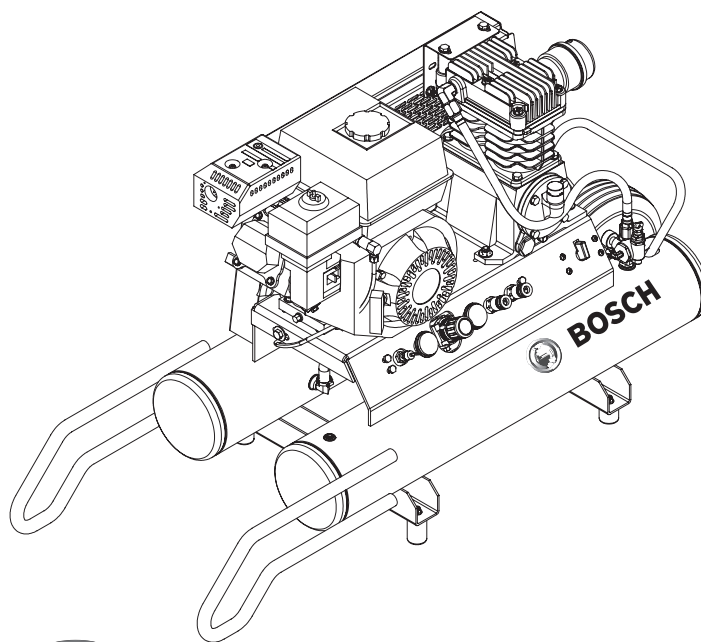
IMPORTANT :
Lire avant usage

IMPORTANTE:
Leer antes de usar



Operating/Safety Instructions
Consignes de fonctionnement/sécurité
Instrucciones de funcionamiento y seguridad

CGT8-65W



BOSCH

**Call Toll Free for
Consumer Information
& Service Locations:**

**Pour obtenir des informations
et les adresses de nos centres
de service après-vente,
appelez ce numéro gratuit**

**Llame gratis para
obtener información
para el consumidor y
ubicaciones de servicio**

1-877-BOSCH99 (1-877-267-2499) www.boschtools.com

For English Version
See page 2

Version française
Voir page 14

Versión en español
Ver la página 26

Form #37-1016-E/F/S-100909

GENERAL SAFETY RULES

⚠ DANGER All users and employers/owners must read and understand all instructions in this manual before operating or maintaining this compressor. Failure to follow all instructions listed below may result in electric shock, fire, serious personal injury or death.

SAVE THESE INSTRUCTIONS

WORK AREA

Keep your work area clean and well lit. Cluttered benches and dark areas increase the risks of accidents, electric shock, fire, and injury to persons.

Do not operate compressor in explosive atmospheres, such as in the presence of flammable liquids, gases, or dust. Keep work area well ventilated. Always locate the compressor at least 20 ft. (6.1 m) away from work area if spraying flammable materials. DO NOT SMOKE if spraying flammable materials. The compressor is able to create sparks which may ignite the dust or fumes. Never use the compressor in sites containing lacquer, paint, benzene, thinner, gasoline, gases, adhesive agents, and other materials which are combustible or explosive. A longer hose may be required.

Always operate the compressor in a well ventilated area. Follow all safety instructions and use a respirator as directed in the safety instructions provided with the material to be sprayed. Some sprayed materials such as paint, paint solvents, paint remover, insecticides, weed killers, etc contain harmful vapors and poisons.

Keep bystanders, children, and visitors away while operating a compressor. Do not allow children to operate compressor. Distractions may cause loss of control of the tools which may cause injury to bystanders.

Never engage in horseplay with the compressor. Respect the compressor as a working implement.

Always operate the compressor from a stable secure position. Never operate the compressor from a roof or table. Use additional air hose to allow tools to reach high locations.

Equip the work area with a suitable fire extinguisher.

PERSONAL SAFETY

Do not remove, tamper with, or otherwise cause the tool operating controls to become disabled or inoperable. This will cause the tool to work irregularly and may result in the risk of injury.

Dress properly. Do not wear loose clothing or

jewelry. Contain long hair. Keep your hair, clothing, and gloves away from moving parts. Loose clothes, jewelry, or long hair can be caught in moving parts and increases the risk of injury.

Always wear eye and ear protection when using this tool. Use additional personal protective equipment as appropriate when operating this tool. Operators and others in work area must wear safety glasses. Prolonged exposure to high intensity noise is able to cause hearing loss. Dust mask, non-skid safety shoes, hard hat and other personal protective equipment, must be used for appropriate conditions.

Do not operate the compressor unless you are familiar with controls. Users unfamiliar with controls may operate compressor in an unsafe manner, injuring them selves or others.

Keep handles and controls dry, clean and free from oil and grease. Slippery hands cannot safely control the tool.

Stay alert. Watch what you are doing, and use common sense when operating a compressor. Do not use compressor while tired or under the influence of drugs, alcohol, or medication. A moment of inattention while operating the compressor may result in serious personal injury.

Do not direct air stream at people or animals. High pressure air can propel dust and debris at high speed. Compressed air from a compressor can contain water, oil, metal particles or other contaminants which can cause serious injury.

Do not use compressed air for breathing or respiration. Never inhale air directly from compressor or from breathing apparatus connected to compressor. Compressed air stream may contain carbon monoxide, toxic vapors or solid particles from air tank which if inhaled could cause serious injury or death.

Use care when touching exposed metal surfaces of compressor. Many components such as compressor head, engine/motor, and tubing will remain hot even after the air compressor has been shut down. Allow compressor to cool before moving or attempting maintenance.

Do not stand on compressor. Keep proper footing and balance at all times. Proper footing and balance enable better control of tools in unexpected situations.

Make sure air hose is free of snags and obstructions. Do not attach an air hose or tool to your body. Entangled or snarled hoses can cause a loss of balance or footing in addition to unintentional tool operation. Attach the hose to the structure to reduce the risk of loss of balance if the hose shifts.

Do not abuse the air hose. Protect all hoses from kinks, restrictions, solvents or sharp objects. Keep air hose away from heat, oil, sharp edges or moving parts. Replace damaged hoses immediately. Damaged hoses can burst or whip around work area.

Only use hoses with a minimum rating of 200 PSI. Use of hoses with a high pressure rating reduce the risk of injury from a hose bursting.

Firmly grasp hose in hand when installing hoses. If hose is not held firmly or correctly installed, hose may whip and injure personnel in the operating area.

Use care when lifting and carrying the compressor. Some compressors are too heavy to be lifted by one person. Get assistance before attempting to lift a compressor to reduce the risk of injury.

When moving or loading a wheeled compressor ensure that the compressor is always on a level surface. If the compressor is placed on a sloped surface, it may move unexpectedly and result in personal injury.

This product contains chemicals, including lead, known to the State of California to cause birth defects and other reproductive harm. Wash hands after using.

TOOL USE AND CARE

Use this compressor and all accessories in accordance with the instructions. Compressor and accessories must be used for the purpose for which they are designed. Use of the compressor for operations other than what is described in this manual can result in a hazardous situation.

Use only accessories that are recommended by BOSCH for your particular model. Accessories that may be recommended for a particular model tool may not be suitable on other model tools and may result in personal injury.

Before each use, inspect all fittings, hoses, pipes, connections of the compressor. Do not operate if any portion of the compressor is loose, missing, damaged, malfunctioning, disconnected or altered. Never use a compressor that appears damaged or is operating abnormally. If the compressor appears to be operating unusually and/or making strange noises, stop using it immediately and contact your local

BOSCH service center. There is a risk of bursting if the compressor is damaged.

Before each use inspect compressor for signs of leaks or damage. If leaks are found in the compressor pump, air tanks or tubing, replace compressor immediately. Never attempt repair leaks, weld or make modifications to the air tank or other fluid confining parts as there is a risk of bursting.

Do not attempt to operate this air compressor without first verifying the oil level in the crankcase. This compressor is shipped with oil in the crankcase. Serious damage of the compressor can result from even momentary operation without proper lubrication.

Never operate the compressor without the safety valve. Verify operation of the safety valve on a daily basis. Do not use the safety valve for complete tank drainage. The safety valve is designed to relieve tank pressure to reduce the risk of bursting.

Never operate compressor without all guards and other safety features in place and performing intended function. If maintenance or servicing requires removal of guard or safety feature, be sure to replace the guard or safety feature before resuming operation of the compressor. Replace damaged guards or safety features immediately.

Never touch moving parts. Do not place any part of your body near compressor moving parts. Do not reach around guards to reduce the risk of injury.

Do not operate compressor without the air filter. Filters prevent large particles from entering the air stream and damaging compressor internal components.

Do not allow particulates such as sawdust to fall into crankcase when crankcase is open for inspection. Particulates in oil may reduce compressor life.

Do not use a detergent oil in crankcase. Detergent oils will leave deposits on internal compressor components reducing compressor life and components.

Do not use compressor for unattended operation. Always remain in area when compressor is operating and turn off compressor when not in use to reduce the risk of fire.

Never place objects on top or next to compressor. Locate compressor at least 12 in. (30 cm) away from all obstructions. Restricting any of the compressor's ventilation openings can cause overheating and could cause a fire.

Do not operate the compressor with any pow-

er source other than that specified in the tool operating/safety instructions. Use of alternative power sources may result in malfunctions of the compressor and the power source which may lead to serious injury of you or others in your surroundings.

Follow all recommendations for sizes of hoses, fittings and other compressed air accessories. Improperly sized fitting or components may result in the risk of injury or property damage

Never move the compressor by pulling on a hose. The compressor, air fittings and the air hose may become damaged and burst.

Check air supply lines for restrictions before adjusting tool. Air volume is as important as air pressure. Restricted air flow will prevent the tools from operating as designed.

Never exceed the maximum allowable pressure rating marked on tools and attachments. Do not use compressor to inflate low pressure objects such as toys. Exceeding the maximum recommended pressure of tools and attachments can cause them to burst. The correct pressure is the lowest pressure that will do the job.

Drain condensate from air tanks daily with drain valve. Draining water from the air compressor reduces the risk of the air tank corrosion. Corroded air tanks have an increased risk of bursting.

Stop the compressor, drain air tanks and allow it to cool before making adjustments, moving the compressor, leaving the work area, performing maintenance or storing the compressor. Such precautionary safety measures reduce the risk of injury.

Do not modify this compressor or operate compressor at pressures or speeds greater than designed. Any alteration or modification is a misuse and may result in a dangerous condition such as fire or bursting.

When transporting compressor, keep level and place on a protective mat. Do not place compressor on its side. Such precautions re-

duce the risk of fire or danger to personnel from oil fumes.

SERVICE

Maintenance performed by unauthorized personnel may result in misplacing of the internal components which could cause serious hazard. We recommend that all compressor service be performed by a BOSCH factory service center or authorized BOSCH service station.

Develop a periodic maintenance schedule for your tool. When cleaning a compressor be careful not to disassemble any portion of the tool since internal components may be misplaced or safety components may be improperly mounted. Certain cleaning agents such as gasoline, carbon tetrachloride, ammonia, etc. may damage plastic parts and o-rings.

When servicing the compressor, use only recommended BOSCH replacement parts. Follow instructions in the Maintenance section of this manual. Use of unauthorized parts or failure to follow Maintenance Instructions can cause a risk of injury.

Replace missing or damaged warning labels. Refer to schematic for correct placement and part number.

Maintain compressor with care. Keep the compressor clean and lubricated. Properly maintained tools are less likely to break and cause injury. Any alteration or modification is a misuse and may result in a dangerous condition. Clean the tool at least daily and lubricate as required.

When not in use, store the compressor out of reach of children and other personnel unfamiliar with compressor operation. When not in use, the tool should be disconnected and stored in a dry place. Vent the air tank. Keep out of reach of children. Lock the storage area. Compressor can be dangerous in the hands of users unfamiliar with its operation.

SAFETY RULES FOR GASOLINE POWERED COMPRESSORS

Read and understand all instructions in engine operation manual.

Before starting operating compressor, examine the fuel tank for signs of damage or leaks. If the fuel tank appears to be damaged, stop using it immediately and contact your local BOSCH service center. There is a risk of fire from spilled fuel.

Always turn off the engine when not in use and before moving compressor. Stopping the engine prevents unintentional starting of the compressor.

Stop engine before servicing compressor. Remove spark plug cap and vent compressed air before inspecting, servicing, cleaning compressor to prevent unintentional starting of the compressor.

During normal operation observe the operation of the compressor. The engine should cycle between high and low speed. If compressor does not cycle have the compressor serviced by an authorized BOSCH service center. The compressor has a pilot valve that controls engine speed and tank pressure. There is a risk of bursting if the pilot valve is not functioning correctly.

Do not store a gasoline powered compressor near any equipment that uses a pilot light or has sparking components such as switches. There is a potential for fire, if gasoline vapors are ignited.

Do not start or operate compressor in an enclosed area. Do not inhale engine exhaust. Engine exhaust contains carbon monoxide, a poisonous colorless odorless gas.

Do not operate this compressor in forest covered, brush covered or unimproved grasslands without installing a spark arresting muffler. Spark arresting mufflers reduce the possibility of a fire caused by the engine. A spark arresting muffler must be maintained by the operator.

Allow the compressor to cool at least two min-

utes before attempting to refuel. Hot components could cause a fire if gasoline is spilled on them.

When refueling, pour fuel slowly and maintain control to avoid spilling fuel. Spilled fuel increases the risk of fire.

DO NOT SMOKE while refueling the compressor.

Do not refuel the compressor indoors. Gasoline vapors are harmful to breathe.

Do not fill the fuel tank completely full; leave 1/4 in. (0.7 cm) head space. This space allows room for the fuel to expand without overflowing the tank and increasing the risk of fire.

Do not operate the compressor if fuel is spilled. Clean up spilled fuel, move compressor away from spill area. Do not start compressor until all fuel has evaporated off of compressor surfaces. Spilled fuel increases the risk of fire.

The engine exhaust from this product contains chemicals know to the State of California to cause cancer, birth defects or other reproductive harm.

Some dust created by power sanding, sawing, grinding, drilling, and other construction activities contains chemicals known to cause cancer, birth defects or other reproductive harm. Some examples of these chemicals are:

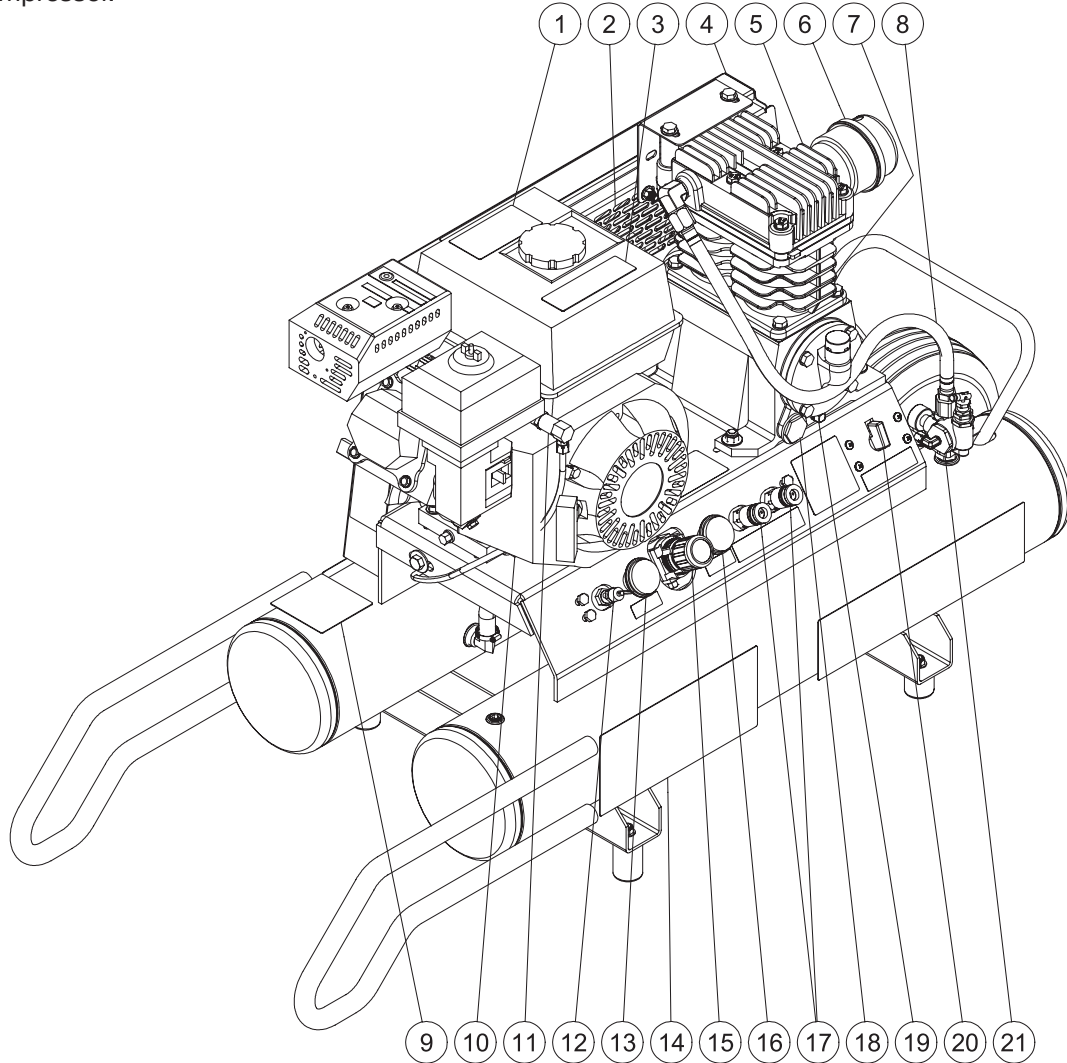
- Lead from lead-based paints,
- Crystalline silica from bricks and cement and other masonry products, and
- Arsenic and chromium from chemically treated lumber.

Your risk from these exposures varies, depending on how often you do this type of work. To reduce your exposure to these chemicals: work in a well ventilated area, and work with approved safety equipment, such as those dust masks that are specially designed to filter out microscopic particles.

SAVE THESE INSTRUCTIONS

FUNCTIONAL DESCRIPTION AND SPECIFICATIONS

⚠ WARNING Always turn off and stop the engine/motor before making any adjustments, changing accessories, before moving compressor, when compressor is not in use and before storing the compressor. Stopping the engine/motor prevents unintentional starting of the compressor.



1. Decal-Warning Hot Surface
2. Ventilation Openings
3. Decal-Warning Risk of Fire
4. Beltguard
5. Air Compressor Pump
6. Air Filter
7. Oil Fill Port
8. Pump Discharge Line
9. Decal-Maintenance Instructions
10. Engine
11. Air Throttle Control
12. Safety Release Valve
13. Pressure Gauge-Tank PSI
14. Decal-Operation Instructions
15. Pressure Regulator
16. Pressure Gauge-Outlet PSI
17. Outlet Fittings

18. Oil Sight Glass
19. Pump Oil Drain
20. Tank Drain Valve
21. Pilot Valve

Specifications CGT8-65W

Product Size:	49.5 x 18.5 x 26"
Weight:	175 lbs
HP:	6.5
CFM @ 100 psi:	13.1
RPM:	3200
Recovery Time:	14 seconds
Engine:	Honda GX200 OHV
Drive Type:	Belt
Maintenance:	Oil and Gas
Pump:	30W non-detergent oil
Engine:	See engine manual for oil and gas requirements

ASSEMBLY / INSTALLATION

LUBRICATION AND OIL

⚠ CAUTION Do not attempt to operate this air compressor without first verifying the oil level in the crankcase. This compressor is shipped with oil in the crankcase. Serious damage of the compressor can result from even momentary operation without proper lubrication.

Prior to each use, verify the crankcase oil level. An oil sight gauge with minimum and maximum oil level marks is provided with this compressor.

Always verify that the oil level is at the maximum mark in the oil sight gauge before operating this unit. Do not operate the pump with an inadequate or excessive amount of oil. The cost of failures which occur due to incorrect oil levels will not be covered under warranty.

To check the oil level:

1. Place unit on a level surface.
2. Verify oil level through the oil sight gauge.

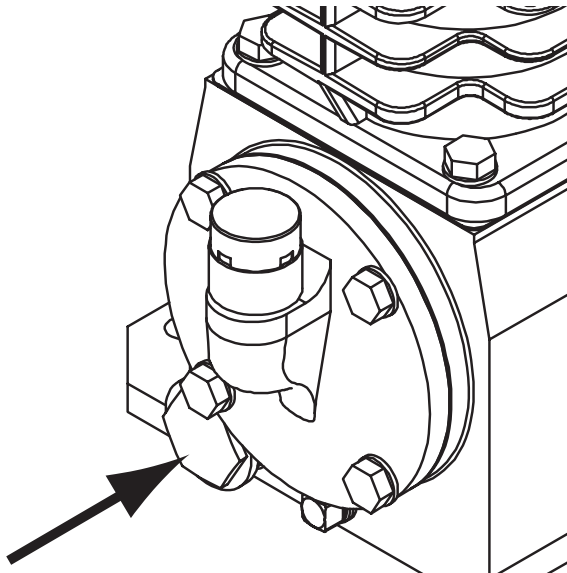


Fig. 1

3. If oil level is low, add as required, but do not exceed maximum oil level.

⚠ CAUTION Do not allow particulates such as sawdust to fall into crank case when crank case is open for inspection. Particulates in oil may reduce compressor life.

⚠ CAUTION Do not use a detergent oil in crankcase. Detergent oils will leave deposits on internal compressor components reducing compressor life and performance.

PREPARATION FOR USE

⚠ WARNING Use this compressor and all accessories in accordance with the instructions. Compressor and accessories must be used for the purpose for which they are designed. Use of the compressor for operations other than what is described in this manual can result in a hazardous situation.

GASOLINE MOTOR

Follow the instructions before operating a compressor with the gasoline engine:

1. Review "Safety Rules for Gasoline Compressor" on pg. 5 before fueling.
2. Read engine manual accompanying this air compressor for correct engine start-up maintenance procedures.
3. Read and understand the safety labels located on the air compressor.
4. A minimum of 86 octane fuel is recommended for use with this air compressor. DO NOT mix oil with gasoline.
5. Refer to engine manual for recommended gasoline and oil.
6. Check the engine oil level before starting (See engine manual).
7. Fill the fuel tank according to the engine manual instruction.
8. Refer to the engine manual for all necessary maintenance and adjustments.

⚠ WARNING Change the crankcase oil after the first 50 hours of operation and as recommended in the maintenance section of this manual. Failure to change oil according to maintenance schedule will reduce compressor life and performance.

OPERATION

STARTING THE COMPRESSOR

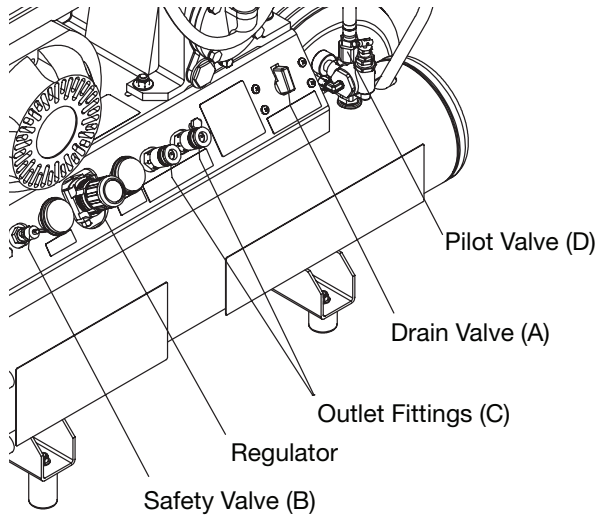


Fig. 2

1. Position compressor on a flat surface or one with an inclination of 10° or less in a well ventilated area away from flammable vapors.
2. Ensure that all covers and labels are in place, label are legible and securely mounted. Do not use compressor until all the above items have been verified.
3. Ensure that drain valve is closed in the vertical position (A).
4. Ensure that the safety valve (B) is functioning properly by pulling on the valve ring and allow the valve to reset. The safety release valve is designed to protect against high pressure air from the air tank when its factory set pressure (slightly higher than the pressure switch cut-out setting) is exceeded.

⚠ WARNING If the safety release valve vents under normal operating conditions stop using the compressor immediately and send you compressor for service. If the safety release valve is venting the tanks the pilot valve may need factory adjustment.

5. Attach hoses to the compressor (C). See "Connecting Air Supply" below.
6. Flip the toggle on top of the pilot valve (D) to the upright position. The air compressor will

unload and allow for easier engine start-up.

7. Start the engine (refer to the Engine Manual accompanying this unit.)
8. When the engine has run for 1-2 minutes, flip the toggle back to the horizontal position.
9. If you notice any unusual noise or vibration, stop the air compressor and refer to "troubleshooting".

HOT SURFACES

⚠ WARNING Use care when touching exposed metal surfaces of compressor. Many components such as compressor head, engine/motor, and tubing will remain hot even after the air compressor has been shut down. Allow compressor to cool before moving or attempting maintenance.

ADJUSTING REGULATOR

This compressor is provided with an internal regulator that controls the output pressure of two female quick connect couplers. Regulated pressure will be equal to or less than tank pressure depending on user setting.

To adjust regulated pressure:

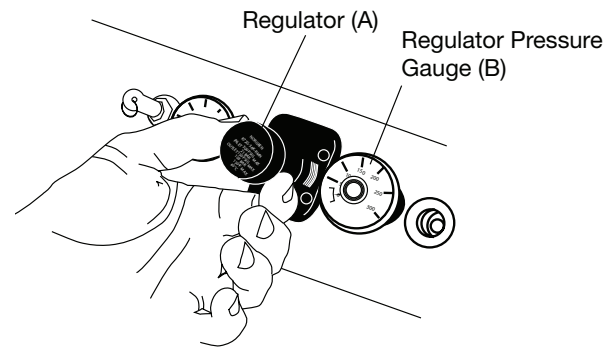


Fig. 3

1. Pull regulator knob out (A).
2. To increase pressure, turn clockwise.
3. To decrease pressure, turn counter clockwise.
4. When desired pressure is set, push regulator knob in to lock pressure.
5. Regulated pressure gauge is displayed as (B).

OPERATION

CONNECTING AIR SUPPLY

⚠ WARNING Firmly grasp the hose in hand when installing hoses. If hose is not held firmly or correctly installed hose may whip and injure personnel in the operating area.

INSTALLING HOSES:

1. Grasp the hose at the quick connect plug and push the plug into the quick connect body. Coupler will snap into place.

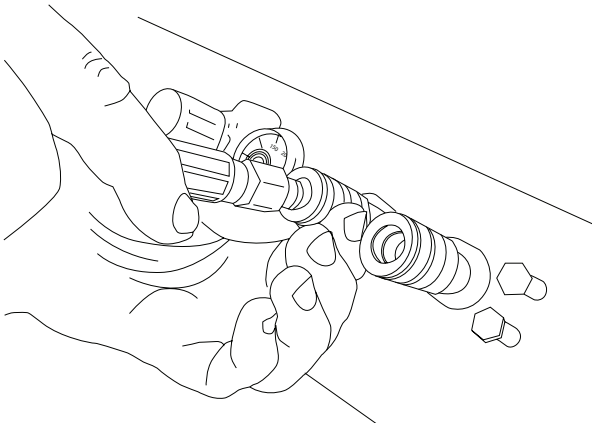


Fig. 4

2. Grasp the hose and pull to ensure coupler is seated.

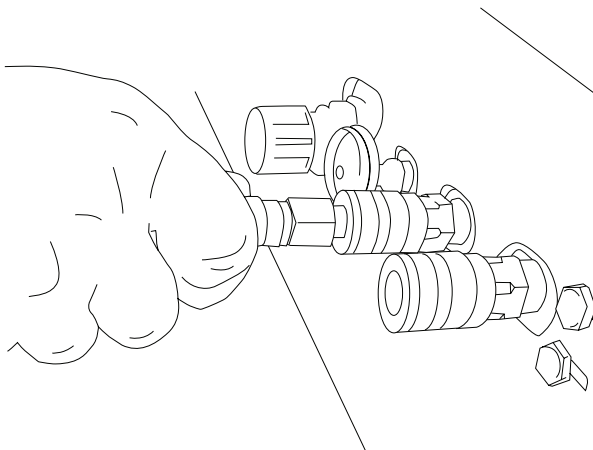


Fig. 5

OPERATING TEMPERATURES

Operating temperatures are between 32°F and 104°F (0°C and 40°C). If operating outside recommended temperatures, unit may have difficulty starting and will cause additional wear on components.

⚠ WARNING Disconnect the compressor from the power source, drain air tanks and allow it to cool before making adjustments, moving the compressor, leaving

the work area, performing maintenance or storing the compressor. Such precautionary safety measures reduce the risk of injury.

SHUTTING DOWN THE COMPRESSOR

1. Move the engine switch to the “off” position. (refer to the Engine Manual accompanying this unit.)
2. Turn regulator until output pressure shows 0 psi,
3. Remove hose and hose assembly. See “disconnecting air supply” below.
4. Drain air from the air tanks by releasing air by pulling the safety release valve.
5. Once the air tank pressure is under 20 psi., open the drain valve on the control panel to drain moisture from the tanks. See “Draining Tanks” below.
6. Allow the compressor to cool down before storing.

DISCONNECTING AIR SUPPLY

DISCONNECTING HOSES:

1. Ensure regulated pressure gauge reads 0 psi (0 kPa).
2. Pull coupler on quick connect body back to release quick connect plug on hose. (See figure 5)

DRAINING TANKS

1. Place the compressor on a level surface.

⚠ WARNING Ensure that the compressor is on a level surface. If compressor is not level, water will not drain from tanks causing corrosion, which may cause the tanks to burst.

2. If pressure is greater than 20 psi, use safety relief valve to reduce tank pressure.
3. Ensure that no personnel are in the drain discharge area behind compressor.

⚠ WARNING Do not direct air stream at people or animals. High pressure air can propel dust and debris at high speed. Compressor air from the compressor can contain water, oil, metal particles, or other contaminants which can cause serious injury.

4. Turn drain valve on control panel 90° counterclockwise.

⚠ WARNING Do not open drain valve with pressure greater than 20 psi in tanks. Such precautionary measures reduce the risk of injury.

5. When tanks are empty, close valve.

MAINTENANCE

⚠ WARNING Maintenance performed by unauthorized personnel may result in misplacing of the internal components which could cause serious hazard. We recommend that all compressor service be performed by a BOSCH factory service center or authorized BOSCH service station.

Your air compressor requires periodic maintenance according to the maintenance schedule outlined on the next page, in order to keep your compressor in peak condition.

Use a soapy water solution to inspect compressor for leaks. If leaks are found in the compressor pump, air tanks or tubing, replace compressor immediately! Never attempt repair leaks, weld or make modifications to the air tank or other fluid confining parts as there is a risk of bursting.

To check the air filter, unscrew the air filter from the compressor and visually inspect. If the filter appears to be clogged, replace the filter. After inspection screw the air filter back on the compressor.

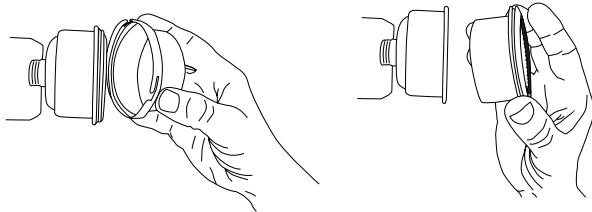


Fig. 6

SERVICE

To Change Oil:

1. Make sure the pump is cool to avoid burn risk.
2. Prepare a suitable container to capture the oil from the crankcase.
3. Remove crankcase drain plug (A) and allow used oil to drain in the container.
4. Replace drain plug.
5. Return oil to recycling center or dispose of in accordance with local regulations.
6. Remove oil filler knob (B).
7. Refill crankcase with fresh oil. Fill oil until it reads the middle of the oil sight gauge.

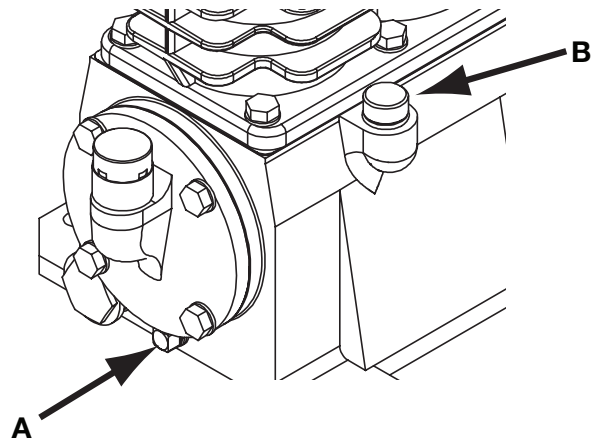


Fig. 7

8. Replace oil filler knob.

Contact your BOSCH service center for instructions and user replaceable parts. For all other repairs contact your BOSCH service center.

If unit is operated in an excessively dirty or dusty area, increase the frequency of all scheduled maintenance items.

Recommendation	Daily	Weekly	Every 200 hours
Check for proper oil level(s) and oil leaks	X		
Check engine air filter	X		
Drain moisture from tanks daily or after each use	X		
Ensure all safety guards are correctly and securely attached	X		
Clean the cooling surfaces of the compressor		X	
Inspect air intake filter		X	
Check safety valves by pulling on rings		X	
Check system for air leaks		X	
Check belt tension		X	
Change pump oil			X
Replace air filter			X

STORAGE

CLEANING

⚠ WARNING When cleaning a compressor be careful not to disassemble any portion of the tool since internal components may be misplaced or safety components may be improperly mounted. Certain cleaning agents such as gasoline, carbon tetrachloride, ammonia, etc. may damage plastic parts and o-rings.

Periodically clean the compressor tool with soapy water and a damp cloth.

STORAGE

When not in use, the compressor should be stored in a warm and dry place.

Remove gasoline before storing indoors.

⚠ WARNING When not in use, store the compressor out of reach of children and other personnel unfamiliar with compressor operation. Lock the storage area. Compressor can be dangerous in the hands of users unfamiliar with its operation.

LOADING

⚠ WARNING Use care when lifting and carrying the compressor. Some compressors are too heavy to be lifted by one person. Get assistance before attempting to lift compressor to reduce the risk of injury.

⚠ WARNING Vehicle must be on a level surface. If vehicle is not on a level surface, compressor could slide off tailgate and injure personnel in the operating area.

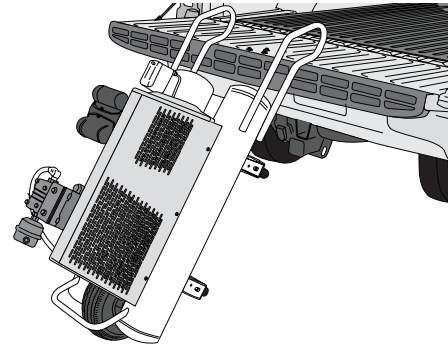


Fig. 8

1. Place handles on back of the tailgate.
2. Lift compressor from handle on opposite end and glide handles over flatbed.
3. To unload, reverse steps.

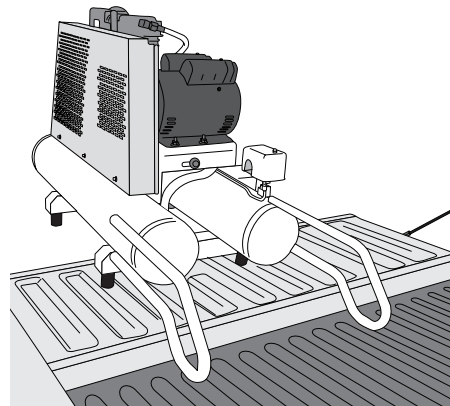


Fig. 9

TROUBLE SHOOTING

This section provides a list of the more frequently encountered malfunctions, their causes and corrective actions. The operator or maintenance personnel can perform some corrective actions, and others may require the assistance of a qualified Bosch technician or your dealer.

PROBLEM	SYMPTOMS	RESOLUTION
Excessive air tank pressure – safety valve pops off	<ul style="list-style-type: none"> • Pressure switch does not shut of motor when compressor reaches cut-out pressure • Pressure switch cut-out too high 	<ul style="list-style-type: none"> • Set the On/Off switch to Off, if the unit does not shut off contact a Bosch factory service center or a Bosch authorized service center • Contact a Bosch factory service center or a Bosch authorized service center
Air leaks	<ul style="list-style-type: none"> • Tube fittings are not tight enough 	<ul style="list-style-type: none"> • Tighten fittings where air can be heard escaping. Check fittings with soapy water solution. Do not overtighten.
Air leaks in air tank or at air tank welds	<ul style="list-style-type: none"> • Defective air tank 	<ul style="list-style-type: none"> • Air tank must be replaced. Do not repair the leak • Warning: Risk of bursting. Do not drill into, weld or otherwise modify air tank or it will weaken. The air tank can rupture or explode.
Air leaks between head and valve plate	<ul style="list-style-type: none"> • Leaking seals 	<ul style="list-style-type: none"> • Contact a Bosch factory service center or a Bosch authorized service center
Air leaks from safety valve	<ul style="list-style-type: none"> • Defective safety valve 	<ul style="list-style-type: none"> • Operate safety valve manually by pulling on ring. If valve still leaks, it must be replaced.
Knocking noise	<ul style="list-style-type: none"> • Defective safety valve • Pump oil is low • Carbon build-up in pump 	<ul style="list-style-type: none"> • Operate safety valve manually by pulling on ring. If valve still leaks, it must be replaced. • Add 30W non detergent oil to pump. • Contact a Bosch factory service center or a Bosch authorized service center
Pressure reading on the regulated pressure gauge drops when an accessory is used	<ul style="list-style-type: none"> • Regulator is not adjusted correctly for accessory being used 	<ul style="list-style-type: none"> • It is normal for some pressure drop to occur when an accessory is used, adjust the regulator. • Note: Adjust the regulated pressure under flow conditions while accessory is being used.

TROUBLE SHOOTING

Compressor is not supplying enough air to operate accessories	<ul style="list-style-type: none"> • Prolonged excessive use of air • Compressor is not large enough for accessory • Hole in air hose • Check valve restricted • Air leaks • Restricted air intake filter 	<ul style="list-style-type: none"> • Decrease amount of air usage. • Check the accessory air requirement. If it is higher than the SCFM or pressure supplied by your air compressor, a larger compressor is needed to operate accessory. • Replace air hose. • Remove, clean or replace • Tighten fittings. • Clean or replace air intake filter.
Regulator knob has continuous air leak	<ul style="list-style-type: none"> • Regulator is damaged 	<ul style="list-style-type: none"> • Replace.
Regulator will not shut off air outlet	<ul style="list-style-type: none"> • Regulator is damaged 	<ul style="list-style-type: none"> • Replace.
Moisture in pump crankcase	<ul style="list-style-type: none"> • Unit operating in damp or humid conditions • Detergent type oil being used in pump 	<ul style="list-style-type: none"> • Move unit to a dry well-ventilated area. • Drain oil and refill with 30W non detergent oil

CONSIGNES GÉNÉRALES DE SÉCURITÉ

▲ DANGER Tous les utilisateurs et employeurs/propriétaires doivent lire et comprendre toutes les instructions de ce mode d'emploi avant d'utiliser cet compresseur ou de procéder à son entretien. Le non-respect des instructions indiquées plus bas risque de causer un choc électrique, une blessure personnelle grave ou même la mort.

CONSERVER CES INSTRUCTIONS

ESPACE DE TRAVAIL

Gardez votre espace de travail propre et bien éclairé. Les établis encombrés et les zones mal éclairées augmentent les risques d'accidents, de chocs électriques, d'incendies et de blessures aux personnes.

N'utilisez pas des compresseurs dans des atmosphères explosives, comme en présence de liquides, de gaz ou de poussières inflammables. Maintenez la zone de travail bien ventilée. Installez toujours le compresseur à au moins 20 pi (6,1 m) de la zone de travail en cas de pulvérisation de matières inflammables. NE FUMEZ PAS pendant que vous pulvérisez des matières inflammables. Le compresseur peut produire des étincelles qui risquent d'enflammer la poussière ou les fumées. N'utilisez jamais le compresseur à des endroits où il y a de la laque, de la peinture, de la benzine, du diluant, de l'essence, des gaz, des agents adhésifs ou d'autres matériaux qui sont combustibles ou explosifs. Un tuyau flexible plus long sera peut-être nécessaire.

Utilisez toujours le compresseur dans un endroit bien ventilé. Suivez toutes les consignes de sécurité et utilisez un appareil de protection respiratoire conformément aux consignes de sécurité accompagnant le matériau à vaporiser. Certains matériaux vaporisés, comme la peinture, les solvants pour peinture, les décapants pour peinture, les insecticides, les désherbants, etc. contiennent des poisons et des vapeurs toxiques.

Ne laissez pas d'autres personnes, des enfants et autres visiteurs s'approcher d'un compresseur en marche. Ne permettez pas à des enfants d'utiliser le compresseur. Des distractions risqueraient de causer la perte de contrôle des compresseurs, ce qui pourrait causer des blessures aux personnes se trouvant à proximité.

Ne chahutez jamais avec le compresseur. Respectez le compresseur comme instrument de travail.

Utilisez toujours le compresseur dans une position stable et sûre. Ne l'utilisez jamais sur une table ou sur un toit. Utilisez un tuyau flexible à air additionnel pour permettre aux compresseurs d'atteindre des endroits élevés.

Équipez la zone de travail avec un extincteur approprié.

SÉCURITÉ PERSONNELLE

Il ne faut pas retirer ou altérer les commandes de l'outil, ou les désactiver ou les rendre inutilisables de quelque façon que ce soit. Ceci causerait un fonctionnement irrégulier de l'outil et risquerait de causer des blessures.

Habillez-vous de façon appropriée. Ne portez pas de vêtements lâches ou de bijoux. Confinez les cheveux longs.

Gardez vos cheveux, vêtements et gants à distance des pièces en mouvement. Les vêtements lâches, les bijoux et les cheveux longs risqueraient d'être happés par des pièces en mouvement et augmenter le risque de blessure.

Portez toujours des équipements de protection des yeux et des oreilles lorsque vous utilisez cet outil. Utilisez des équipements de protection individuelle additionnels suivant les besoins lorsque vous utilisez cet outil. Les opérateurs et les autres personnes se trouvant dans la zone de travail doivent porter des lunettes de sécurité. Une exposition prolongée à des bruits de grande intensité risquerait de causer une perte auditive. Il faut utiliser un masque antipoussières, des chaussures de sécurité à semelle antidérapante, un casque et d'autres équipements de protection individuelle en fonction des conditions de travail.

N'utilisez pas le compresseur si vous ne savez pas parfaitement comment vous en servir. Les utilisateurs qui ne connaissent pas très bien toutes ses commandes risquent de se servir du compresseur d'une manière pouvant être dangereuse et se blesser ou de blesser d'autres personnes.

Maintenez les commandes et les poignées sèches et propres, sans résidus d'huile ou de graisse. Des mains glissantes ne peuvent pas contrôler l'outil de façon sûre.

Restez alerte. Surveillez toujours ce que vous êtes en train de faire et faites preuve de bon sens quand vous utilisez un compresseur. N'utilisez pas le compresseur lorsque vous êtes fatigué ou sous l'influence de drogues, d'alcool ou de médicaments. Un moment d'inattention pendant que vous utilisez le compresseur pourrait causer des blessures corporelles graves.

Ne dirigez pas un jet d'air vers des gens ou des animaux. De l'air sous pression peut projeter de la poussière et des débris à grande vitesse. De l'air comprimé d'un compresseur peut contenir de l'eau, de l'huile, des particules de métal ou d'autres contaminants qui risqueraient de causer de graves blessures.

N'inspirez pas et ne respirez pas d'air comprimé. N'inhalez jamais d'air directement du compresseur ou d'un appareil respiratoire connecté au compresseur. Un jet d'air comprimé peut contenir du monoxyde de carbone, des vapeurs toxiques ou des particules solides d'un réservoir d'air qui, en cas d'inhalation, pourraient causer des lésions graves ou même la mort.

Faites très attention lorsque vous touchez des surfaces du compresseur en métal. De nombreux composants tels que la tête du compresseur, son moteur et ses tuyaux resteront très chauds même après que le compresseur d'air aura été mis hors tension. Laissez le compresseur refroidir avant de le déplacer ou d'effectuer une opération de maintenance.

Ne montez pas sur le compresseur. Soyez toujours bien

stable et équilibré sur vos pieds. La stabilité et un bon équilibre vous permettent de mieux contrôler l'outil dans des situations inattendues.

Assurez-vous qu'il n'y a pas d'obstructions ou de coudes dans le tuyau d'air. N'attachez pas un tuyau d'air ou un outil à votre corps. Des tuyaux enchevêtrés ou emmêlés risquent de faire perdre l'équilibre ou de faire tomber l'opérateur en plus de causer un mouvement imprévu de l'outil. Attachez le tuyau à la structure pour réduire le risque de perte d'équilibre en cas de mouvement du tuyau.

N'utilisez pas le tuyau de façon abusive. Protégez tous les tuyaux contre les faux plis, les restrictions, les solvants ou les objets tranchants. Maintenez le tuyau d'air à distance de la chaleur, de l'huile, des bords tranchants ou des pièces mobiles. Remplacez immédiatement un tuyau endommagé. Un tuyau endommagé risquerait d'éclater ou d'être projeté avec violence à travers la zone de travail.

Utilisez seulement des tuyaux conçus pour une pression nominale minimum de 200 psi. L'utilisation de tuyaux conçus pour une pression nominale élevée réduit le risque de blessure pouvant résulter de l'éclatement d'un tuyau.

Saisissez fermement le tuyau dans la main en vue de l'installation. Si le tuyau n'est pas tenu fermement ou installé correctement, il risquerait de se libérer de votre prise et de fouetter et blesser des personnes se trouvant dans la zone de travail.

Prenez toutes les précautions nécessaires lorsque vous soulevez et transportez le compresseur. Certains compresseurs sont trop lourds pour être soulevés par une seule personne. Demandez de l'assistance avant de tenter de soulever un compresseur pour réduire le risque de blessure.

Lorsque vous déplacez ou chargez un compresseur sur roues, assurez-vous que ce compresseur est toujours sur une surface plate. Si le compresseur est placé sur une surface en pente, il risquerait de se déplacer de façon imprévisible et de causer des blessures corporelles.

Ce produit contient des produits chimiques, notamment du plomb, qui, selon les informations à la disposition de l'État de Californie, causent des malformations congénitales et d'autres problèmes affectant la reproduction. Lavez-vous les mains après avoir utilisé le compresseur.

UTILISATION ET ENTRETIEN DE L'OUTIL

Utilisez cet compresseur et ses accessoires conformément aux instructions. Les compresseurs et leurs accessoires doivent être utilisés dans le but pour lequel ils sont conçus. L'emploi de les compresseurs pour des opérations différentes de celles qui sont décrites dans ce mode d'emploi peut créer une situation dangereuse.

Utilisez seulement des accessoires qui sont recommandés par BOSCH pour votre modèle particulier. Des accessoires qui peuvent être recommandés pour un modèle d'outil particulier ne sont peut-être pas appropriés pour d'autres modèles d'outils et pourraient causer des blessures corporelles.

Avant chaque utilisation, inspectez tous les raccords et

tuyaux, ainsi que les boyaux et les connexions, du compresseur. N'utilisez pas cet compresseur si une partie quelconque de le compresseur est lâche, manquante, endommagée, défectueuse, déconnectée ou altérée. N'utilisez jamais un compresseur qui semble être endommagé ou qui fonctionne de façon anormale. Si le compresseur ne semble pas fonctionner normalement et/ou s'il fait des bruits inhabituels, cessez immédiatement de l'utiliser et contactez votre centre de service après-vente BOSCH local. Il existe un risque d'éclatement si le compresseur est endommagé.

Avant chaque utilisation, inspectez le compresseur pour vous assurer qu'il n'y a pas de signes de fuites ou d'autres dommages. Si vous trouvez des fuites dans la pompe du compresseur, les réservoirs d'air ou les tuyaux, remplacez immédiatement le compresseur. Ne tentez jamais de réparer des fuites, de souder ou d'apporter des modifications au réservoir d'air ou d'autres sections contenant des liquides étant donné que ceci créerait un risque d'éclatement.

Ne tentez pas d'utiliser ce compresseur d'air sans avoir vérifié au préalable le niveau d'huile dans le carter du moteur. Ce compresseur est expédié avec de l'huile dans le carter du moteur. Le compresseur pourrait être sérieusement endommagé par un fonctionnement même momentané sans une lubrification adéquate.

N'utilisez jamais le compresseur sans la valve de sécurité en place. Vérifiez quotidiennement le fonctionnement de la valve de sécurité. Ne vous servez pas de la valve de sécurité pour compléter la vidange du réservoir. La valve de sécurité est conçue pour diminuer la pression du réservoir afin de réduire le risque d'éclatement.

N'utilisez jamais le compresseur si tous les dispositifs de protection et autres mécanismes de sécurité ne sont pas à leur place ou s'ils n'exercent pas la fonction pour laquelle ils ont été conçus. Si une opération de maintenance ou d'entretien nécessite le retrait d'un dispositif de protection ou d'un mécanisme de sécurité, n'oubliez pas de remettre ce dispositif de protection ou ce mécanisme de sécurité en place avant de recommencer à utiliser le compresseur. Remplacez immédiatement tout dispositif de protection ou mécanisme de sécurité endommagé.

Ne touchez jamais une pièce en mouvement. Ne placez aucune partie de votre corps à proximité de pièces en mouvement du compresseur. Ne vous penchez pas au-dessus des dispositifs de protection afin de réduire le risque de blessure.

N'utilisez pas le compresseur sans le filtre à air. Les filtres empêchent les grandes particules d'entrer dans le flux d'air et d'endommager les composants internes du compresseur.

Ne laissez pas de matières particulaires telles que de la sciure tomber dans le carter du moteur lorsque ce dernier est ouvert pour réaliser une inspection. La présence de matières particulaires dans l'huile risquerait de réduire la durée de vie du compresseur.

N'utilisez pas d'huile détergente dans le carter du moteur. Les huiles détergentes laisseront des dépôts sur les composants internes du compresseur, ce qui réduirait la durée de vie du compresseur et affecterait sa performance.

N'utilisez pas le compresseur dans le cadre d'un fonctionnement sans surveillance. Restez toujours à proximité lorsque le compresseur est en marche et éteignez le compresseur quand il n'est pas utilisé afin de réduire le risque d'incendie.

Ne placez jamais d'objets sur le compresseur ou contre celui-ci. Installez le compresseur à au moins 12 po (30 cm) de toutes les obstructions. La restriction de quelconques orifices de ventilation du compresseur pourrait causer une surchauffe et entraîner un incendie.

N'utilisez pas le compresseur avec une source d'alimentation électrique différente de ce qui est indiqué dans les consignes d'utilisation et de sécurité de le compresseur. L'utilisation de sources d'alimentation électrique différentes pourrait causer un mauvais fonctionnement de le compresseur et de la source d'alimentation électrique, ce qui risquerait de vous blesser grièvement ou de blesser grièvement d'autres personnes se trouvant près de vous.

Suivez toutes les recommandations en ce qui concerne les tailles des tuyaux, des raccords et des autres accessoires à air du compresseur. Des raccords ou autres composants de tailles incorrectes pourraient entraîner des risques de blessures ou de dommages aux biens.

Ne déplacez jamais le compresseur en tirant sur un tuyau flexible. Le compresseur, les raccords pour la circulation de l'air et le tuyau à air pourraient être endommagés et éclater.

Inspectez les conduites d'alimentation en air pour vous assurer qu'il n'y a pas d'obstacles à la circulation de l'air avant de procéder à un réglage de l'outil. Le volume d'air est aussi important que la pression de l'air. Un débit d'air réduit empêchera l'outil de fonctionner conformément à ce qui est prévu.

Ne dépassez jamais la pression nominale maximum permise qui figure sur l'outil et sur ses accessoires. N'utilisez pas le compresseur pour gonfler des objets à basse pression d'air tels que des jouets. Le dépassement de la pression maximum recommandée des outils et accessoires risquerait de causer leur éclatement. La pression correcte est la pression la plus faible qui suffit à faire le travail voulu.

Drainez quotidiennement le condensat des réservoirs d'air en utilisant la valve de purge. Le drainage de l'eau du compresseur d'air réduit le risque de corrosion du réservoir d'air. Les réservoirs d'air corrodés ont un risque d'éclatement accru.

Arrêtez le compresseur, drainez les réservoirs d'air et laissez refroidir l'outil avant de procéder à des réglages, de déplacer le compresseur, de quitter la zone de travail, d'effectuer une opération de maintenance ou de ranger le compresseur. De telles mesures de sécurité à titre de précaution réduisent le risque de blessure.

Ne modifiez pas ce compresseur et ne vous en servez pas à une pression ou à une vitesse supérieure à la pression ou la vitesse nominale. Toute altération ou modification est une utilisation abusive et risquerait de créer une condition dangereuse telle qu'un incendie ou un éclatement.

Lorsque vous transportez le compresseur, maintenez-le de niveau et placez-le sur un tapis protecteur. Ne mettez pas le compresseur sur son côté. De telles précautions réduisent le risque d'incendie ou de danger d'inhalation de vapeurs d'huile par le personnel.

SERVICE

Toute opération de maintenance réalisée par du personnel non autorisé risque de causer un repositionnement erroné de composants internes et de créer ainsi des dangers graves. Nous recommandons que toutes les opérations de maintenance et de réparation soient effectuées dans un centre de service usine BOSCH ou dans une station service agréée BOSCH.

Préparez un programme de maintenance périodique pour votre outil. Lorsque vous nettoyez un compresseur, faites attention de ne pas démonter une partie quelconque de l'outil étant donné que des composants internes risqueraient d'être mal remis en place ou que des composants nécessaires à la sécurité risqueraient d'être remontés incorrectement. Certains produits de nettoyage, tels que l'essence, le tétrachlorure de carbone, l'ammoniac, etc. risquent d'endommager les composants en plastique et les joints toriques.

Utilisez seulement des pièces de rechange recommandées par BOSCH lors de toute opération de réparation. Suivez les instructions de la rubrique Maintenance de ce mode d'emploi. L'utilisation de pièces non autorisées ou le non-respect des instructions de maintenance pourrait causer un risque de blessure.

Remplacez les étiquettes d'avertissement manquantes ou endommagées. Reportez-vous aux schémas pour déterminer le positionnement correct avec le numéro de pièce.

Effectuez une maintenance soignée du compresseur. Maintenez le compresseur propre et lubrifié. Des outils entretenus de façon soignée sont moins exposés à des risques de rupture qui pourraient causer des blessures. Toute altération ou modification est une utilisation abusive et risquerait de créer une condition dangereuse.

Lorsque vous ne vous en servez pas, rangez le compresseur hors de la portée des enfants et des autres personnes ne maîtrisant pas le fonctionnement de le compresseur. Quand il n'est pas utilisé, l'outil doit être déconnecté et rangé dans un endroit sec. Gardez hors de la portée des enfants. Verrouillez le lieu de rangement. Les compresseurs sont dangereux s'ils tombent entre les mains d'utilisateurs ne maîtrisant pas leur fonctionnement.

CONSIGNES DE SÉCURITÉ POUR LES COMPRESSEURS À ESSENCE

Lisez et comprenez toutes les instructions figurant dans le mode d'emploi du moteur.

Avant de commencer à utiliser le compresseur, examinez le réservoir d'essence pour vous assurer qu'il n'y a pas de signes de dommages ou de fuites. Si le réservoir d'essence semble être endommagé, cessez immédiatement de vous servir du compresseur et contactez votre centre de service après-vente local BOSCH. De l'essence répandue sur le sol pourrait causer un incendie.

Arrêtez toujours le moteur quand il n'est pas utilisé et avant de déplacer le compresseur. L'arrêt du moteur empêche toute mise en marche accidentelle du compresseur.

Mettez le moteur à l'arrêt avant toute opération de maintenance du compresseur. Retirez le dispositif de protection de la bougie et ventilez l'air comprimé avant d'inspecter, de nettoyer ou de réparer le compresseur afin de ne pas risquer de mise en marche accidentelle du compresseur.

Pendant le fonctionnement normal, observez le fonctionnement du compresseur. Le moteur doit fluctuer entre sa vitesse rapide et sa vitesse lente. Si le compresseur ne change pas de vitesse, faites réparer le compresseur par un centre de service après-vente BOSCH agréé. Le compresseur est muni d'un distributeur pilote qui contrôle la vitesse du moteur et la pression du réservoir. Il existe un risque d'éclatement si le distributeur pilote ne fonctionne pas correctement.

Ne rangez pas un compresseur à essence à proximité d'un équipement qui utilise une veilleuse ou qui a des composants pouvant émettre des étincelles, tels que des interrupteurs. Il existe un risque d'incendie en cas d'inflammation de vapeurs d'essence.

Ne mettez pas en marche un compresseur et ne l'utilisez pas dans un endroit fermé. N'inhalez pas de gaz d'échappement du moteur. Les gaz d'échappement du moteur contiennent du monoxyde de carbone, un gaz incolore, inodore et toxique pour les poumons.

N'utilisez pas ce compresseur dans une forêt, à proximité de broussailles ou dans des prés à herbe haute sans avoir installé un pot d'échappement pare-étincelles. Un pot d'échappement pare-étincelles réduit le risque d'un incendie pouvant être causé par le moteur. Un tel pot d'échappement doit être entretenu par l'opérateur.

Laissez le compresseur refroidir pendant au moins deux minutes avant de commencer à refaire le plein d'essence. Des composants très chauds pourraient causer un incendie si de l'essence était renversée sur eux.

Lorsque vous refaites le plein d'essence, versez l'essence lentement et conservez le contrôle de ce que vous faites à tout moment pour éviter de renverser de l'essence. De l'essence renversée sur le sol augmente le risque d'incendie.

NE FUMEZ PAS pendant que vous remplissez le réservoir d'essence du compresseur.

Ne refaites pas le plein d'essence du compresseur à l'intérieur d'un bâtiment. Les vapeurs d'essence sont toxiques pour les poumons.

Ne remplissez pas le réservoir d'essence au maximum ; laissez ¼ po (0,7 cm) d'espace vide. Cet espace permet l'expansion normale du carburant sans débordement dans le réservoir afin de réduire le risque d'incendie.

N'utilisez pas le compresseur s'il y a eu un débordement d'essence. Nettoyez l'essence répandue et déplacez le compresseur à distance de l'endroit où de l'essence a été répandue. Ne mettez pas le compresseur en marche avant que tout le carburant se soit évaporé des surfaces du compresseur. Le carburant répandu augmente le risque d'incendie.

Les gaz d'échappement du moteur de ce produit contiennent des produits chimiques qui, selon les informations à la disposition de l'État de Californie, causent des cancers, des malformations congénitales ou d'autres problèmes affectant la reproduction.

Les travaux à la machine tel que ponçage, sciage, meulage, perçage et autres travaux du bâtiment peuvent créer des poussières contenant des produits chimiques qui sont des causes reconnues de cancer, de malformation congénitale ou d'autres problèmes reproductifs. Ces produits chimiques sont, par exemple :

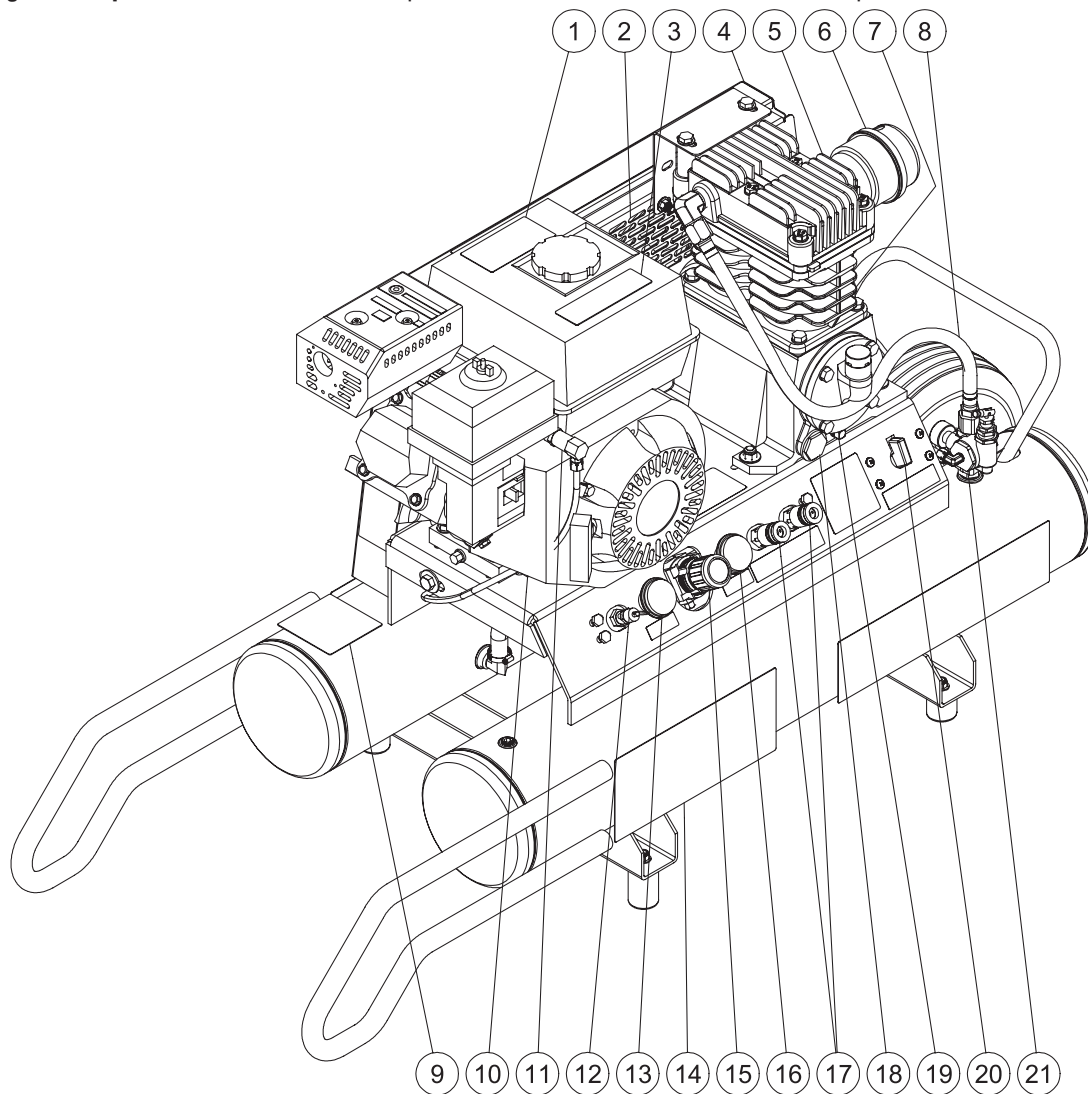
- Le plomb provenant des peintures à base de plomb,
- Les cristaux de silices provenant des briques et du ciment et d'autres produits de maçonnerie, et
- L'arsenic et le chrome provenant des bois traités chimiquement

Le niveau de risque dû à cette exposition varie avec la fréquence de ces types de travaux. Pour réduire l'exposition à ces produits chimiques, il faut travailler dans un lieu bien ventilé et porter un équipement de sécurité approprié tel que certains masques à poussière conçus spécialement pour filtrer les particules microscopiques.

CONSERVEZ CES INSTRUCTIONS

DESCRIPTION FONCTIONNELLE ET SPÉCIFICATIONS

⚠ AVERTISSEMENT Arrêtez et mettez toujours le moteur hors tension avant de procéder à de quelconques réglages, de changer des accessoires, de déplacer le compresseur, quand le compresseur n'est pas utilisé et avant de ranger le compresseur. L'arrêt du moteur empêche une mise en marche accidentelle du compresseur.



1. Autocollant – Avertissement, Surface très chaude
2. Orifices de ventilation
3. Autocollant – Avertissement, Risque d'incendie
4. Garde-courroie
5. Pompe du compresseur d'air
6. Filtre à air
7. Orifice de remplissage d'huile
8. Conduite de refoulement de la pompe
9. Autocollant – Instructions de maintenance
10. Moteur
11. Actionneur de papillon
12. Détendeur de pression (valve) de sécurité
13. Manomètre – pression du réservoir
14. Autocollant – Mode d'emploi
15. Régulateur de pression
16. Manomètre – pression de sortie
17. Garnitures des orifices de sortie

18. Indicateur de niveau d'huile
19. Orifice de vidange d'huile de la pompe
20. Valve de drainage du réservoir
21. Distributeur pilote

Spécifications : CGT8-65W

Dimensions du produit : 49,5 po x 18,5 po x 26 po
 Poids : 175 livres
 HP : 6,5
 pi³/mn à 100 psi : 13,1
 tr/mn : 3 200
 Délai de récupération : 14 s
 Moteur : Honda GX200 OHV
 Type d'entraînement : courroie
 Entretien : huile et essence
 Pompe : huile non détergente 30W
 Moteur : voir le mode d'emploi du moteur pour les besoins d'huile et d'essence

ASSEMBLAGE / INSTALLATION

LUBRIFICATION ET HUILE

⚠ MISE EN GARDE Ne tentez pas d'utiliser ce compresseur d'air sans avoir vérifié au préalable le niveau d'huile dans le carter du moteur. Ce compresseur est expédié avec de l'huile dans le carter du moteur. Le compresseur pourrait être sérieusement endommagé par un fonctionnement même momentané sans une lubrification adéquate.

Vérifiez le niveau d'huile dans le carter du moteur avant chaque utilisation. Un indicateur de niveau d'huile avec des repères pour le niveau maximum et le niveau minimum est fourni avec ce compresseur.

Vérifiez toujours que le niveau d'huile est sur le repère maximum de l'indicateur de niveau d'huile avant de mettre cet outil en marche. N'utilisez pas la pompe avec une quantité d'huile insuffisante ou excessive. Le coût des pannes causées par des niveaux d'huile incorrects ne sera pas couvert par la garantie.

Pour vérifier le niveau d'huile :

1. Placez l'outil sur une surface horizontale.
2. Vérifiez le niveau d'huile par le biais de l'indicateur de niveau d'huile.

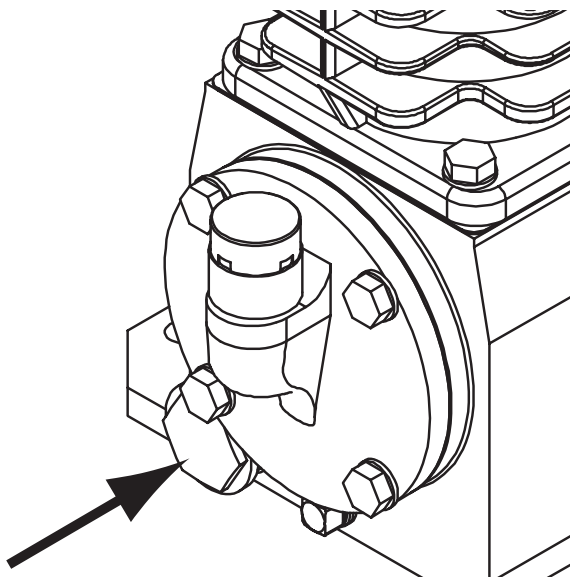


Fig. 1

3. Si le niveau d'huile est bas, ajoutez de l'huile suivant les besoins, mais ne dépassez pas le niveau d'huile maximum.

⚠ MISE EN GARDE Ne laissez pas de matières particulaires telles que de la sciure tomber dans le carter du moteur lorsque ce dernier est ouvert pour réaliser une inspection. La présence de matières particulaires dans l'huile risquerait de réduire la durée de vie du compresseur.

⚠ MISE EN GARDE N'utilisez pas d'huile détergente dans le carter du moteur. Les huiles détergentes laisseront des dépôts sur les composants internes du compresseur, ce qui réduirait la durée de vie du compresseur et affecterait sa performance.

PRÉPARATION EN VUE DE L'EMPLOI

⚠ AVERTISSEMENT Utilisez ce compresseur et tous ses accessoires conformément aux instructions.

Le compresseur et ses accessoires doivent être utilisés dans le but pour lequel ils sont conçus. Une utilisation du compresseur pour des opérations autres que celles qui sont décrites dans ce mode d'emploi risquerait de causer une situation dangereuse.

MOTEUR À ESSENCE

Suivez les instructions ci-dessous avant de vous servir d'un compresseur avec un moteur à essence :

1. Lisez à nouveau la rubrique « Consignes de sécurité pour les compresseurs à essence » à la page 17 avant de faire le plein d'essence.
2. Lisez le mode d'emploi du moteur accompagnant ce compresseur d'air pour connaître les procédures de maintenance correctes avant de mettre le moteur en marche.
3. Lisez et comprenez les étiquettes de sécurité placées sur le compresseur d'air.
4. De l'essence ayant un indice d'octane de 86 au minimum est recommandée pour emploi avec ce compresseur d'air. Ne mélangez PAS d'huile à de l'essence.
5. Référez-vous au mode d'emploi du moteur pour connaître l'essence et l'huile recommandés.
6. Regardez le niveau d'huile du moteur avant la mise en marche (voir le mode d'emploi du moteur).
7. Remplissez le réservoir de carburant en suivant les instructions du mode d'emploi.
8. Référez-vous au mode d'emploi du moteur pour toutes opérations de maintenance et de réglage nécessaires.

⚠ AVERTISSEMENT Changez l'huile du carter du moteur après 50 heures de fonctionnement initialement et à la fréquence recommandée dans la rubrique de maintenance de ce mode d'emploi. Si vous ne changez pas l'huile conformément au calendrier de maintenance, vous réduirez la durée de vie du compresseur et affecterez sa performance.

FONCTIONNEMENT

MISE EN MARCHÉ DU COMPRESSEUR

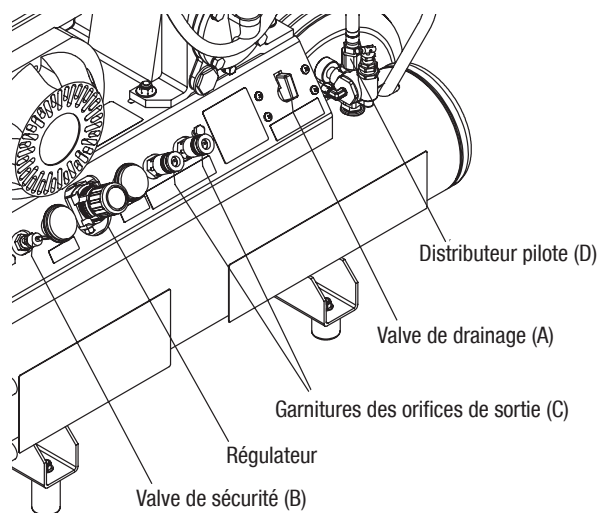


Fig. 2

1. Positionnez le compresseur sur une surface plate ou sur une surface ayant un angle d'inclinaison de 10° ou moins dans un endroit bien ventilé et à distance de toutes vapeurs.
2. Assurez-vous que tous les couvercles et toutes les étiquettes sont à leur place, et que les étiquettes sont lisibles et solidement assujetties.
3. Assurez-vous que la valve de drainage est fermée (en position verticale). (A)
4. Assurez-vous que la valve de sécurité (B) fonctionne correctement en tirant sur l'anneau de la valve et en permettant ainsi la réinitialisation de la valve. La valve de sécurité (détendeur de pression) est conçue pour protéger contre les pressions excessives du réservoir d'air lorsque sa pression nominale fixée en usine (légèrement plus élevée que le réglage de la pression de coupure de l'interrupteur à pression) est dépassée.

⚠ AVERTISSEMENT Si le détendeur de pression de sécurité expulse de l'air dans des conditions de fonctionnement normales, cessez immédiatement d'utiliser le compresseur et faites-le réparer. Si le détendeur de pression de sécurité expulse de l'air, cela peut signifier que le distributeur pilote a besoin d'être réglé à l'usine.

5. Attachez les tuyaux flexibles au compresseur. (C) Référez-vous à la rubrique consacrée à l'alimentation en air ci-dessous.
6. Faites basculer la manette en haut du distributeur pilote (D) en position verticale. Le compresseur d'air se déchargera et facilitera la mise en marche du moteur.

7. Mettez le moteur en marche (référez-vous au mode d'emploi du moteur qui accompagne ce compresseur).
8. Après que le moteur aura fonctionné pendant 1 à 2 minutes, faites basculer à nouveau la manette en position horizontale.
9. Si vous constatez des vibrations ou des bruits anormaux, arrêtez d'utiliser le compresseur d'air et consultez la rubrique d'identification des causes des problèmes.

SURFACES TRÈS CHAUDES

⚠ AVERTISSEMENT Faites très attention quand vous touchez des surfaces en métal exposées du compresseur. De nombreux composants tels que la tête du compresseur, son moteur et ses tuyaux resteront très chauds même après que le compresseur d'air aura été arrêté. Laissez le compresseur refroidir avant de le déplacer ou d'effectuer une opération de maintenance.

RÉGLAGE DU RÉGULATEUR

Ce compresseur est muni d'un régulateur interne qui contrôle la pression de sortie de deux coupleurs femelles à connexion rapide. La pression réglée sera égale ou inférieure à la pression du réservoir en fonction du réglage effectué par l'utilisateur.

Pour procéder au réglage de la pression réglée :

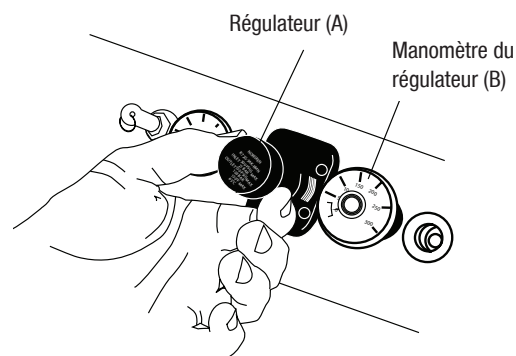


Fig. 3

1. Tirez sur le bouton du régulateur pour le faire sortir (A).
2. Pour augmenter la pression, tournez dans le sens des aiguilles d'une montre.
3. Pour réduire la pression, tournez dans le sens contraire des aiguilles d'une montre.
4. Lorsque la pression désirée est réglée, poussez à nouveau le bouton du régulateur pour verrouiller la pression fixée.
5. La pression réglée est affichée comme (B).

FONCTIONNEMENT

CONNEXION DE L'ALIMENTATION EN AIR

⚠ AVERTISSEMENT Saisissez fermement le tuyau dans la main en vue de l'installation. Si le tuyau n'est pas tenu fermement ou installé correctement, il risquerait de se libérer de votre prise et de fouetter et blesser des personnes se trouvant dans la zone de travail.

INSTALLATION DES TUYAUX :

1. Saisissez le tuyau par la fiche à connexion rapide et enfoncez la fiche dans le corps à connexion rapide. Le coupleur se mettra en place avec un déclic.

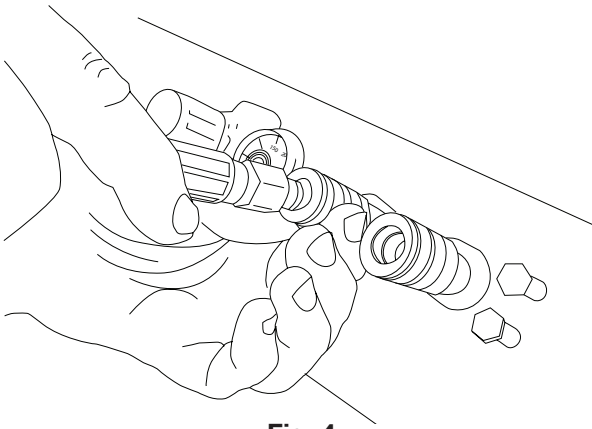


Fig. 4

2. Saisissez le tuyau et tirez dessus pour vous assurer que le coupleur est solidement en place.

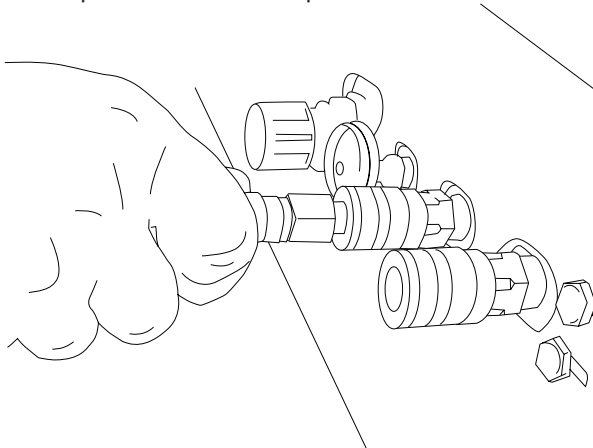


Fig. 5

TEMPÉRATURES DE FONCTIONNEMENT

Les températures de fonctionnement sont entre 32° F et 104° F (0° C et 40° C). Si vous utilisez le compresseur en dehors de cette plage de températures recommandées, le compresseur aura peut-être du mal à démarrer et cela causera une usure additionnelle des composants.

⚠ AVERTISSEMENT Débranchez le compresseur de sa source d'alimentation électrique, drainez les réservoirs d'air et laissez le compresseur refroidir avant de faire des réglages, de le déplacer, de quitter la zone de

travail, d'effectuer des opérations de maintenance ou de ranger le compresseur. De telles mesures de précaution à titre de sécurité réduisent le risque de blessures.

ARRÊT DU COMPRESSEUR

1. Mettez l'interrupteur du moteur dans la position d'arrêt (« off ») (référez-vous au mode d'emploi du moteur qui accompagne ce compresseur).
2. Faites tourner le régulateur jusqu'à ce que la pression de sortie indique 0 psi.
3. Retirez le tuyau flexible et l'ensemble de tuyau flexible. Référez-vous à la rubrique consacrée à la déconnexion de l'alimentation en air ci-dessous.
4. Drainez l'air des réservoirs d'air en relâchant de l'air au moyen de l'actionnement du détendeur de pression (en tirant sur la valve).
5. Une fois que la pression du réservoir d'air sera au-dessous de 20 psi, ouvrez le robinet de purge sur le panneau de commande pour éliminer l'humidité des réservoirs. Référez-vous à la rubrique consacrée à la purge des réservoirs ci-dessous.
6. Laissez le compresseur refroidir avant de le ranger.

DÉCONNEXION DE L'ALIMENTATION EN AIR

DÉCONNEXION DES TUYAUX :

1. Assurez-vous que le manomètre de la pression régulée indique 0 psi (0 kPa).
2. Tirez sur le coupleur du corps à connexion rapide pour relâcher la fiche à connexion rapide sur le tuyau.

DRAINAGE DES RÉSERVOIRS

1. Placez le compresseur sur une surface horizontale.

⚠ AVERTISSEMENT Assurez-vous que le compresseur est sur une surface horizontale. Si le compresseur n'est pas sur une surface horizontale, l'eau ne drainera pas des réservoirs, ce qui causera de la corrosion et risque de faire éclater le réservoir.

2. Si la pression est supérieure à 20 psi, utilisez le détendeur de pression (valve) pour réduire la pression des réservoirs.
3. Assurez-vous que personne ne se trouve dans la région de décharge derrière le compresseur.

⚠ AVERTISSEMENT Ne dirigez pas un jet d'air vers des gens ou des animaux. De l'air sous pression peut projeter de la poussière et des débris à grande vitesse. De l'air comprimé d'un compresseur peut contenir de l'eau, de l'huile, des particules de métal ou d'autres contaminants qui risqueraient de causer de graves blessures.

4. Faites tourner la valve de drainage sur le panneau de commande de 90° dans le sens contraire des aiguilles d'une montre.

⚠ AVERTISSEMENT N'ouvrez pas la valve de drainage si la pression est supérieure à 20 psi dans les réservoirs. De telles mesures de précaution réduisent le risque de blessure.

5. Fermez la valve lorsque les réservoirs sont vides.

MAINTENANCE

⚠ AVERTISSEMENT Toute maintenance effectuée par du personnel non autorisé risquerait de causer un placement erroné de composants internes qui pourrait créer des dangers graves. Nous recommandons que toutes les réparations de l'outil soient effectuées par un centre de service usine BOSCH ou par une station service agréée BOSCH.

Votre compresseur d'air nécessite une maintenance périodique selon le calendrier de maintenance figurant à la page suivante afin de maintenir votre compresseur dans le meilleur état de fonctionnement possible.

Utilisez une solution d'eau savonneuse lorsque vous inspectez le compresseur à la recherche de fuites. Si vous constatez des fuites dans la pompe, les réservoirs d'air ou les tuyaux du compresseur, remplacez le compresseur immédiatement ! Ne tentez jamais de réparer des fuites, de faire de la soudure ou d'apporter des modifications au réservoir d'air ou à d'autres composants contenant des liquides car cela pourrait causer un éclatement de ces composants.

Pour contrôler l'état du filtre à air, dévissez le filtre à air du compresseur et inspectez-le visuellement. Si le filtre semble obstrué, remplacez-le. Après l'inspection, vissez à nouveau le filtre à air sur le compresseur.

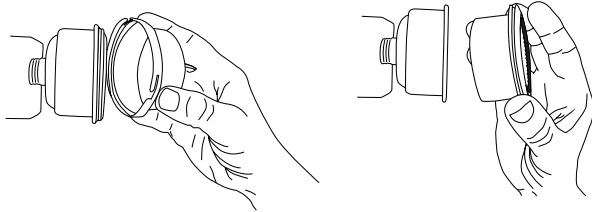


Fig. 6

SERVICE

Pour faire la vidange d'huile :

1. Assurez-vous que la pompe est froide pour éviter le risque de brûlure.

Si l'appareil est utilisé dans un endroit excessivement sale ou poussiéreux, augmentez la fréquence de toutes les opérations de maintenance prévues.

2. Préparez un récipient approprié pour capturer l'huile qui tombera du carter du moteur.
3. Retirez la bonde du carter du moteur (A) pour le drainer, et laissez l'huile usée tomber dans le récipient placé en dessous dans ce but.
4. Remettez la bonde en place.
5. Apportez l'huile usée au centre de recyclage ou jetez-la conformément aux règlements locaux.
6. Retirez le bouton de fermeture de l'orifice de remplissage d'huile (B).
7. Remplissez le carter du moteur d'huile nouvelle. Remplissez-le d'huile jusqu'à ce que le niveau d'huile atteigne le milieu de la fenêtre de l'indicateur de niveau d'huile.

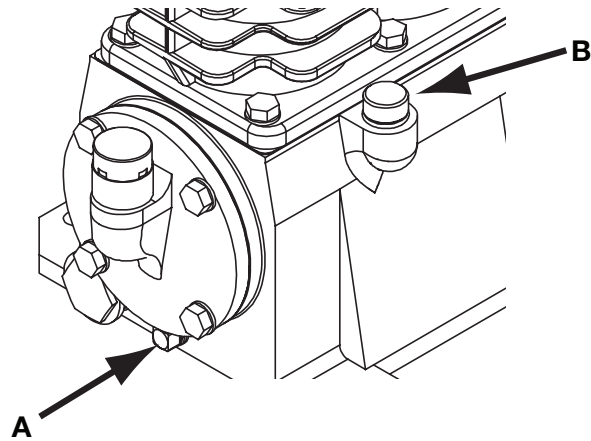


Fig. 7

8. Remettez le bouton de fermeture de l'orifice de remplissage d'huile en place.

Contactez votre centre de service après-vente BOSCH pour obtenir des instructions et pour vous procurer des pièces de rechange pouvant être installées par l'utilisateur. Pour toutes les autres réparations, consultez votre centre de service après-vente BOSCH.

Recommandation	Tous les jours	Une fois par semaine	Toutes les 200 heures
Vérifier que le niveau d'huile est approprié et qu'il n'y a pas de fuites d'huile	X		
Inspectez le filtre à air du moteur	X		
Drainez l'humidité des réservoirs quotidiennement ou après chaque utilisation	X		
Assurez-vous que tous les dispositifs de protection sont attachés correctement et solidement	X		
Nettoyez les surfaces de refroidissement du compresseur		X	
Inspectez le filtre d'admission d'air		X	
Vérifiez les valves de sécurité en tirant sur les anneaux		X	
Inspectez le système pour vous assurer qu'il n'y a pas de fuites d'air		X	
Vérifiez la tension de la courroie		X	
Changez l'huile de la pompe			X
Remplacez le filtre à air			X

RANGEMENT

NETTOYAGE

⚠ AVERTISSEMENT Lorsque vous nettoyez un outil, faites attention de ne pas démonter une partie quelconque de l'outil étant donné que certains composants internes risqueraient d'être remontés à un endroit incorrect ou que certains mécanismes de sécurité risqueraient d'être réassemblés de façon incorrecte. Certains agents de nettoyage tels que de l'essence, du tétrachlorure de carbone, de l'ammoniac, etc. risquent d'endommager les composants en plastique et les joints toriques.

Nettoyez périodiquement le compresseur avec de l'eau savonneuse et un chiffon humide.

RANGEMENT

Quand il n'est pas utilisé, le compresseur doit être rangé dans un endroit chaud et sec.

Videz l'essence du réservoir avant de ranger le compresseur à l'intérieur d'un bâtiment.

⚠ AVERTISSEMENT Quand le compresseur n'est pas utilisé, placez-le hors de portée des enfants et des autres personnes qui ne savent pas comment l'utiliser. Fermez à clé la pièce où il est rangé. Un compresseur peut être dangereux entre les mains d'utilisateurs qui ne savent pas comment s'en servir.

CHARGEMENT

⚠ AVERTISSEMENT Prenez toutes les précautions nécessaires lorsque vous soulevez et transportez le compresseur. Certains compresseurs sont trop lourds pour être soulevés par une seule personne. Demandez de l'assistance avant de tenter de soulever un compresseur pour réduire le risque de blessure.

⚠ AVERTISSEMENT Le véhicule doit être sur une surface horizontale. Si le véhicule n'est pas sur une surface horizontale, le compresseur risquerait de glisser

et tomber de l'arrière du véhicule et de blesser des personnes pouvant se trouver à cet endroit.

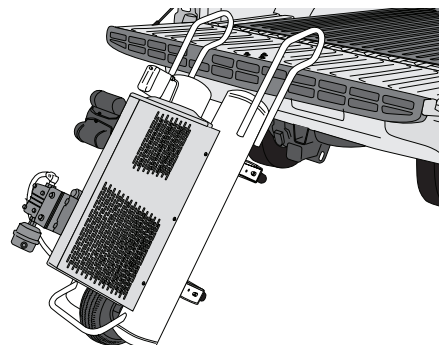


Fig. 8

1. Placez les poignées à l'arrière du hayon.
2. Soulevez le compresseur au moyen de la poignée du côté opposé et faites glisser les poignées au-dessus de la plate-forme.
3. Suivez la procédure inverse pour décharger le compresseur.

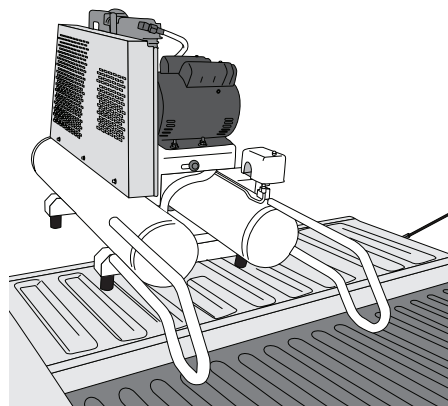


Fig. 9

DIAGNOSTIC DES PANNES

Cette section fournit une liste des problèmes de fonctionnement les plus fréquents, et elle indique leurs causes et les actions correctives nécessaires. L'opérateur ou un technicien de maintenance peut effectuer certaines actions correctives, tandis que d'autres peuvent nécessiter l'assistance d'un technicien agréé Bosch ou de votre revendeur.

PROBLÈME	SYMPTÔMES	RÉSOLUTION
Pression excessive dans le réservoir d'air – la valve de sécurité ressort	<ul style="list-style-type: none"> • L'interrupteur à pression ne cause pas l'arrêt du moteur lorsque la compresseur atteint la pression de coupure • Le seuil de coupure de l'interrupteur à pression est trop élevé 	<ul style="list-style-type: none"> • Réglez l'interrupteur marche/arrêt en position d'arrêt (Off) ; si l'appareil ne s'éteint pas, contactez un centre de service usine Bosch ou un centre de service après-vente agréé Bosch • Contactez un centre de service usine Bosch ou un centre de service après-vente agréé Bosch
Fuites d'air	<ul style="list-style-type: none"> • Les raccords de connexion du tuyau ne sont pas assez serrés 	<ul style="list-style-type: none"> • Serrez les raccords de connexion aux endroits où vous pouvez entendre de l'air s'échapper. Inspectez les raccords en utilisant une solution d'eau savonneuse. Ne serrez pas excessivement.
Fuites d'air dans le réservoir d'air ou aux points de soudage du réservoir d'air	<ul style="list-style-type: none"> • Le réservoir d'air est défectueux 	<ul style="list-style-type: none"> • Il faut remplacer le réservoir d'air. Ne tentez pas de réparer la fuite. • Avertissement : risque d'éclatement. Ne percez pas ou ne soudez pas le réservoir d'air, et ne le modifiez d'aucune façon, car cela l'affaiblirait. Le réservoir d'air risquerait une rupture ou une explosion.
Fuites d'air entre la tête et la plaque porte-valve	<ul style="list-style-type: none"> • Fuites de joints d'étanchéité 	<ul style="list-style-type: none"> • Contactez un centre de service usine Bosch ou un centre de service après-vente agréé Bosch
Fuites d'air provenant de la valve de sécurité	<ul style="list-style-type: none"> • Valve de sécurité défectueuse 	<ul style="list-style-type: none"> • Actionnez la valve de sécurité à la main en tirant sur l'anneau. Si ceci n'arrête pas les fuites, il faut la remplacer.
Bruit de battement	<ul style="list-style-type: none"> • Valve de sécurité défectueuse • Le niveau d'huile de la pompe est bas • Accumulation de carbone dans la pompe 	<ul style="list-style-type: none"> • Actionnez la valve de sécurité à la main en tirant sur l'anneau. Si ceci n'arrête pas les fuites, il faut la remplacer. • Ajouter de l'huile non détergente 30W à la pompe. • Contactez un centre de service usine Bosch ou un centre de service après-vente agréé Bosch.
La pression indiquée sur le manomètre de pression régulée chute quand un accessoire est utilisé	<ul style="list-style-type: none"> • Le régulateur n'est pas ajusté correctement pour l'accessoire utilisé 	<ul style="list-style-type: none"> • Il est normal qu'une certaine chute de pression se produise quand un accessoire est utilisé ; ajustez le régulateur. • Remarque : ajustez la pression du régulateur dans des conditions de circulation de l'air pendant que l'accessoire est utilisé.

DIAGNOSTIC DES PANNES

<p>Le compresseur ne fournit pas assez d'air pour permettre le fonctionnement des accessoires</p>	<ul style="list-style-type: none"> • Utilisation excessive prolongée d'air • Le compresseur n'est pas assez grand pour l'accessoire • Trou dans le tuyau d'air • Clapet obstrué • Fuites d'air • Filtre d'admission d'air obstrué 	<ul style="list-style-type: none"> • Réduisez la quantité d'air utilisé • Vérifiez les besoins en air de l'accessoire. S'ils sont plus élevés que la pression ou le volume fourni par votre compresseur d'air, vous aurez besoin d'un compresseur plus grand pour pouvoir utiliser cet accessoire. • Remplacez le tuyau d'air • Retirez, nettoyez ou remplacez • Serrez les raccords • Nettoyez ou remplacez le filtre d'admission d'air
<p>Le bouton du régulateur a des fuites d'air ininterrompues</p>	<ul style="list-style-type: none"> • Le régulateur est endommagé 	<ul style="list-style-type: none"> • Remplacez-le
<p>Le régulateur ne ferme pas l'orifice de sortie d'air</p>	<ul style="list-style-type: none"> • Le régulateur est endommagé 	<ul style="list-style-type: none"> • Remplacez-le
<p>Humidité dans le carter du moteur de la pompe</p>	<ul style="list-style-type: none"> • L'outil est utilisé dans des conditions humides ou mouillées • Huile de type détergent utilisée dans la pompe 	<ul style="list-style-type: none"> • Déplacez l'outil pour le placer dans un endroit bien ventilé • Vidanger l'huile et remplir la pompe avec de l'huile non détergente 30W

NORMAS GENERALES DE SEGURIDAD PARA HERRAMIENTAS NEUMÁTICAS

⚠ PELIGRO Todos los usuarios y empleadores/propietarios deben leer y entender todas las instrucciones contenidas en este manual antes de utilizar este compresor o hacerle mantenimiento. Si no se siguen todas las instrucciones que se indican a continuación, el resultado podría ser descargas eléctricas, incendio, lesiones corporales graves o muerte.

GUARDE ESTAS INSTRUCCIONES

ÁREA DE TRABAJO

Mantenga el área de trabajo limpia y bien iluminada. Los bancos de trabajo desordenados y las áreas oscuras aumentan los riesgos de accidentes, descargas eléctricas, incendio y lesiones a las personas.

No utilice el compresor en atmósferas explosivas, tales como las existentes en presencia de líquidos, gases o polvos inflamables. Mantenga bien ventilada el área de trabajo. Ubique siempre el compresor al menos a 20 pies (6.1 m) del área de trabajo si va a rociar materiales inflamables. NO FUME si está rociando materiales inflamables. La herramienta es capaz de generar chispas que pueden incendiar el polvo o los vapores. No utilice nunca la herramienta en lugares que contengan laca, pintura, bencina, diluyente, gasolina, gases, agentes adhesivos y otros materiales que sean combustibles o explosivos. Es posible que se requiera una manguera más larga.

Utilice siempre el compresor en un área bien ventilada. Siga todas las instrucciones de seguridad y utilice un respirador tal y como se indica en las instrucciones de seguridad suministradas con el material que se vaya a rociar. Algunos materiales que se rocían, tales como pintura, solventes para pintura, quitapinturas, insecticidas, herbicidas, etc., contienen vapores nocivos y venenos.

Mantenga a las personas que estén presentes, los niños y los visitantes alejados mientras utiliza un compresor. No deje que los niños utilicen el compresor. Las distracciones pueden ocasionar pérdida de control de las herramientas, lo cual puede causar lesiones a las personas que estén presentes.

No haga nunca payasadas con el compresor. Respete el compresor como un implemento de trabajo.

Utilice siempre el compresor desde una posición estable y segura. No utilice nunca el compresor desde un tejado o una mesa. Utilice una manguera de aire adicional para permitir que las herramientas lleguen a los lugares altos.

Equipe el área de trabajo con un extinguidor de incendios adecuado.

SEGURIDAD PERSONAL

No retire, manipule indebidamente ni haga de alguna otra manera que los controles de operación de la herramienta queden desactivados o inoperables. Esto hará que la herramienta funcione irregularmente y puede causar riesgo de lesiones.

Vístase adecuadamente. No use ropa holgada ni joyas. Sujétese el pelo largo. Mantenga el pelo, la ropa y los

guantes alejados de las piezas móviles. La ropa holgada, las joyas o el pelo largo se pueden enganchar en las piezas móviles y aumentar el riesgo de lesiones.

Use siempre protección de los ojos y de los oídos cuando utilice esta herramienta. Utilice equipo de protección personal adicional según sea apropiado cuando utilice esta herramienta. Los operadores y otras personas que se encuentren en el área de trabajo deben usar anteojos de seguridad. La exposición prolongada a ruido de alta intensidad puede causar pérdida de audición. Se deben usar una máscara antipolvo, zapatos de seguridad antideslizantes, casco y otro equipo de protección personal para las condiciones apropiadas.

No utilice el compresor a menos que esté familiarizado con los controles. Los usuarios que no estén familiarizados con los controles podrían utilizar el compresor de manera insegura, causándose lesiones a ellos mismos o causándose a otras personas.

Mantenga las agarraderas y los controles secos, limpios y libres de aceite y grasa. Las manos resbalosas no pueden controlar con seguridad la herramienta.

Manténgase alerta. Esté atento a lo que está haciendo y use el sentido común cuando utilice un compresor. No utilice el compresor mientras esté cansado o bajo la influencia de drogas, alcohol o medicamentos. Un momento de desatención mientras utilizo el compresor puede causar lesiones corporales graves.

No dirija el chorro de aire hacia personas o animales. El aire a alta presión puede propulsar el polvo y los residuos a alta velocidad. El aire comprimido procedente de un compresor puede contener agua, aceite, partículas metálicas u otros contaminantes que pueden causar lesiones graves.

No utilice aire comprimido para respirar directamente ni para respirar con un respirador. No inhale nunca aire directamente del compresor o de un aparato de respiración conectado a un compresor. El chorro de aire comprimido puede contener monóxido de carbono, vapores tóxicos o partículas sólidas procedentes del tanque de aire que, si se inhalan, podrían causar lesiones graves o muerte.

Tenga cuidado cuando toque las superficies metálicas del compresor que están al descubierto. Muchos componentes, tales como la cabeza del compresor, el motor y los tubos, permanecerán calientes incluso después de que se haya apagado el compresor de aire. Deje que el compresor se enfríe antes de moverlo o intentar hacerle mantenimiento.

No se suba al compresor. Mantenga un apoyo de los pies y un equilibrio apropiados en todo momento. El

apoyo de los pies y el equilibrio apropiados permiten un mejor control de la herramienta en situaciones inesperadas.

Asegúrese de que la manguera de aire esté libre de enganches y obstrucciones. No sujete una manguera de aire ni una herramienta a su cuerpo. Las mangueras enredadas o retorcidas pueden causar pérdida de equilibrio o del apoyo de los pies, además de un funcionamiento accidental de la herramienta. Sujete la manguera a la estructura para reducir el riesgo de pérdida de equilibrio si la manguera cambia de posición.

No abuse de la manguera de aire. Proteja todas las mangueras contra retorcimientos, restricciones, solventes u objetos afilados. Mantenga la manguera de aire alejada del calor, el aceite, los bordes afilados o las piezas móviles. Reemplace inmediatamente las mangueras dañadas. Las mangueras dañadas pueden reventar o dar latigazos alrededor del área de trabajo.

Utilice únicamente mangueras con una capacidad nominal mínima de 200 PSI. La utilización de mangueras con capacidad nominal para alta presión reduce el riesgo de lesiones causadas por una manguera que revienta.

Agarre firmemente la manguera en la mano cuando instale mangueras. Si la manguera no se agarra firmemente o no se instala correctamente, puede dar latigazos y lesionar al personal que esté en el área de operación.

Tenga cuidado cuando levante y transporte el compresor. Algunos compresores son demasiado pesados para ser levantados por una persona. Obtenga ayuda antes de intentar levantar un compresor, con el fin de reducir el riesgo de lesiones.

Cuando traslade o cargue un compresor con ruedas, asegúrese de que el compresor esté siempre en una superficie nivelada. Si el compresor se coloca en una superficie en pendiente, se podría mover inesperadamente y causar lesiones corporales.

Este producto contiene sustancias químicas, incluyendo plomo, que el estado de California sabe que causan defectos de nacimiento y otros daños sobre la reproducción. Lávese las manos después de usarlo.

USO Y CUIDADO DE LA HERRAMIENTA

Utilice este compresor y estos accesorios de acuerdo con las instrucciones. Los compresores y los accesorios se deben utilizar para el propósito para el cual están diseñados. La utilización del compresor para operaciones distintas a las que se describen en este manual puede causar una situación peligrosa.

Utilice únicamente los accesorios que estén recomendados por BOSCH para su modelo específico. Es posible que los accesorios que estén recomendados para una herramienta de modelo específico no sean adecuados en herramientas de otros modelos y podrían causar lesiones personales.

Antes de cada uso, inspeccione todos los conectores, mangueras, tubos y conexiones del compresor. No

utilice el compresor si cualquiera de sus partes está floja, falta, está dañada, funciona incorrectamente, está desconectada o está alterada. No utilice nunca un compresor que parezca estar dañado o que esté funcionando anormalmente. Si parece que el compresor está funcionando de manera inusual y/o haciendo ruidos raros, deje de usarla inmediatamente y contacte a su centro de servicio BOSCH local. Hay un riesgo de reventón si el compresor está dañado.

Antes de cada uso, inspeccione el compresor para buscar señales de fugas o daños. Si se encuentran fugas en la bomba del compresor, los tanques de aire o los tubos, reemplace inmediatamente el compresor. No intente nunca reparar las fugas, soldar o hacer modificaciones en el tanque de aire u otras piezas de confinamiento de fluidos, ya que existe riesgo de reventón.

No intente utilizar este compresor de aire sin verificar primero el nivel de aceite en el cárter. Este compresor se envía con aceite en el cárter. El compresor puede resultar gravemente dañado como consecuencia de un funcionamiento incluso momentáneo sin lubricación adecuada.

No utilice nunca el compresor sin la válvula de seguridad. Verifique diariamente el funcionamiento de la válvula de seguridad. No utilice la válvula de seguridad para drenar completamente los tanques. La válvula de seguridad está diseñada para reducir la presión de los tanques con el fin de reducir el riesgo de reventón.

No utilice nunca el compresor sin todos los protectores y otros dispositivos de seguridad instalados en su sitio y realizando correctamente la función para la cual fueron diseñados. Si el mantenimiento o el servicio de ajustes y reparaciones requiere la retirada de un protector o un dispositivo de seguridad, asegúrese de reinstalar el protector o el dispositivo de seguridad antes de reanudar la utilización del compresor. Reemplace inmediatamente los protectores o dispositivos de seguridad que estén dañados.

No toque nunca las piezas móviles. No ponga ninguna parte del cuerpo cerca de las piezas móviles del compresor. No ponga las manos alrededor de los protectores, para reducir el riesgo de lesiones.

No utilice el compresor sin el filtro de aire. Los filtros impiden que las partículas grandes entren en el chorro de aire y dañen los componentes internos del compresor.

No deje que partículas tales como aserrín caigan en el cárter cuando éste se encuentre abierto para inspección. Las partículas en el aceite pueden reducir la vida útil del compresor.

No utilice un aceite detergente en el cárter. Los aceites detergentes dejarán depósitos en los componentes internos del compresor, reduciendo la vida útil del compresor y los componentes.

No utilice el compresor para una operación desatendida. Permanezca siempre en el área cuando el compresor esté funcionando y apague el compresor cuando no esté en uso, para reducir el riesgo de incendio.

No coloque nunca objetos sobre el compresor ni cerca de éste. Ubique el compresor al menos a 12 pulgadas (30 cm) de todas las obstrucciones. La restricción de cualquiera de las aberturas de ventilación del compresor puede causar recalentamiento y podría ocasionar un incendio.

No utilice la herramienta con una fuente de energía que no sea la especificada en las instrucciones de utilización y seguridad de la herramienta. El uso de fuentes de energía alternativas puede causar funcionamientos incorrectos de la herramienta y de la fuente de energía, los cuales les pueden producir lesiones graves a usted o a otras personas que estén en los alrededores.

Siga todas las recomendaciones para los tamaños de las mangueras, los conectores y otros accesorios de aire comprimido. Los conectores o componentes de tamaño incorrecto pueden causar riesgo de lesiones o daños materiales.

No traslade nunca el compresor jalando una manguera. El compresor, los conectores de aire y la manguera de aire pueden resultar dañados y reventar.

Compruebe las líneas de suministro de aire para verificar si hay restricciones antes de ajustar la herramienta. El volumen de aire es tan importante como la presión del aire. Un flujo de aire restringido impedirá que las herramientas funcionen tal y como se diseñaron.

No exceda nunca la capacidad nominal de presión máxima permisible marcada en las herramientas y los aditamentos. No utilice el compresor para inflar objetos de baja presión tales como juguetes. Si se excede la presión máxima recomendada de las herramientas y los aditamentos, el resultado puede ser que revienten. La presión correcta es la presión más baja que hará el trabajo.

Drene diariamente el líquido condensado de los tanques de aire con la válvula de drenaje. Al drenar el agua del compresor de aire se reduce el riesgo de corrosión de los tanques de aire. Los tanques de aire corroídos tienen un mayor riesgo de reventar.

Detenga el compresor, drene los tanques de aire y deje que el compresor se enfríe antes de hacerle ajustes, trasladarlo, irse del área de trabajo, realizar mantenimiento o almacenar el compresor. Dichas medidas de seguridad precautorias reducen el riesgo de lesiones.

No modifique este compresor ni lo utilice a presiones o velocidades superiores a las designadas. Cualquier alteración o modificación es un uso incorrecto y puede causar una situación peligrosa, como por ejemplo incendio o reventón.

Cuando transporte el compresor, manténgalo nivelado y colóquelo sobre una alfombra protectora. No coloque el compresor sobre uno de sus lados. Dichas precauciones reducen el riesgo de incendio o peligro para el personal debido a los vapores de aceite.

SERVICIO DE AJUSTES Y REPARACIONES

El mantenimiento realizado por personal no autorizado puede causar una descolocación de los componentes internos, lo cual podría causar un peligro grave. Recomendamos que todo el servicio de ajustes y reparaciones del compresor sea realizado por un centro de servicio de fábrica BOSCH o una estación de servicio BOSCH autorizada.

Desarrolle un programa de mantenimiento periódico para su herramienta. Cuando limpie un compresor, tenga cuidado de no desensamblar ninguna parte de la herramienta, ya que los componentes internos se pueden descolocar o los componentes de seguridad se pueden montar incorrectamente. Ciertos agentes de limpieza, tales como gasolina, tetracloruro de carbono, amoníaco, etc., pueden dañar las piezas de plástico y los anillos tipo O.

Quando haga servicio de ajustes y reparaciones del compresor, utilice únicamente piezas de repuesto BOSCH recomendadas. Siga las instrucciones contenidas en la sección Mantenimiento de este manual. El uso de piezas no autorizadas o no seguir las instrucciones de mantenimiento puede causar un riesgo de lesiones.

Reemplace las etiquetas de advertencia que falten o estén dañadas. Consulte el esquema de la herramienta para conocer la colocación correcta y el número de pieza.

Mantenga con cuidado el compresor. Mantenga el compresor limpio y lubricado. Las herramientas mantenidas apropiadamente tienen menos probabilidades de romperse y causar lesiones. Cualquier alteración o modificación es un uso incorrecto y puede causar una situación peligrosa.

Quando no esté utilizando el compresor, almacénelo fuera del alcance de los niños y otras personas que no estén familiarizadas con su utilización. Cuando la herramienta no se esté utilizando, se debe desconectar y almacenar en un lugar seco. Manténgala fuera del alcance de los niños. Cierre con llave el área de almacenamiento. Los compresores son peligrosos en las manos de los usuarios que no estén familiarizados con ellos.

NORMAS DE SEGURIDAD PARA COMPRESORES ACCIONADOS POR GASOLINA

Lea y entienda todas las instrucciones contenidas en el manual de utilización del motor.

Antes de comenzar a utilizar el compresor, examine el tanque de combustible para comprobar si hay señales de daños o fugas. Si el tanque de combustible parece estar dañado, deje de usarlo inmediatamente y contacte a su centro de servicio BOSCH local. Existe un riesgo de incendio debido a combustible derramado.

Apague siempre el motor cuando el compresor no se esté utilizando y antes de moverlo. Al detener el motor se impide el arranque accidental del compresor.

Detenga el motor antes de hacer servicio de ajustes y reparaciones del compresor. Retire la tapa de la bujía y purgue el aire comprimido antes de inspeccionar el compresor, hacerle servicio de ajustes y reparaciones o limpiarlo, para impedir que arranque accidentalmente.

Durante la utilización normal, observe el funcionamiento del compresor. El motor debería ciclar entre alta y baja velocidad. Si el compresor no cicla, haga que reciba servicio de ajustes y reparaciones por un centro de servicio BOSCH autorizado. El compresor tiene una válvula piloto que controla la velocidad del motor y la presión de los tanques. Hay un riesgo de reventón si la válvula piloto no está funcionando correctamente.

No almacene un compresor accionado por gasolina cerca de cualquier equipo que utilice una luz de encendido o tenga componentes que generen chispas, como por ejemplo interruptores. Existe un potencial de incendio si los vapores de gasolina se prenden.

No arranque ni utilice el compresor en un área cerrada. No inhale los gases de escape del motor. Los gases de escape del motor contienen monóxido de carbono, un gas venenoso que es incoloro e inodoro.

No utilice este compresor en tierras de pasto cubiertas de bosque, cubiertas de arbustos o sin urbanizar, sin instalar un silenciador amortiguador de chispas. Los silenciadores amortiguadores de chispas reducen la posibilidad de un incendio causado por el motor. Un silenciador amortiguador de chispas debe ser mantenido por el operador.

Deje que el compresor se enfríe al menos dos minutos antes de intentar reabastecerlo de combustible. Los componentes calientes podrían causar un incendio si se derrama gasolina sobre ellos.

Cuando reabastezca combustible, viértalo lentamente y mantenga el control para evitar derramarlo. El combustible derramado aumenta el riesgo de incendio.

NO FUME mientras reabastece de combustible el compresor.

No reabastezca de combustible el compresor en un lugar interior. Los vapores de gasolina son nocivos si se aspiran.

No llene completamente el tanque de combustible; deje un espacio superior de 1/4 de pulgada (0.7 cm). Este espacio deja sitio para que el combustible se expanda sin rebosar el tanque y aumentar el riesgo de incendio.

No utilice el compresor si se derrama combustible. Recoja el combustible derramado y traslade el compresor alejándolo del área del derrame. No arranque el compresor hasta que todo el combustible se haya evaporado de sus superficies. El combustible derramado aumenta el riesgo de incendio.

Los gases de escape del motor de este producto contienen sustancias químicas que el estado de California sabe que causan cáncer, defectos de nacimiento u otros daños sobre la reproducción.

Cierto polvo generado por el lijado, aserrado, amolado y taladrado mecánicos, y por otras actividades de construcción, contiene agentes químicos que se sabe que causan cáncer, defectos de nacimiento u otros daños sobre la reproducción. Algunos ejemplos de estos agentes químicos son:

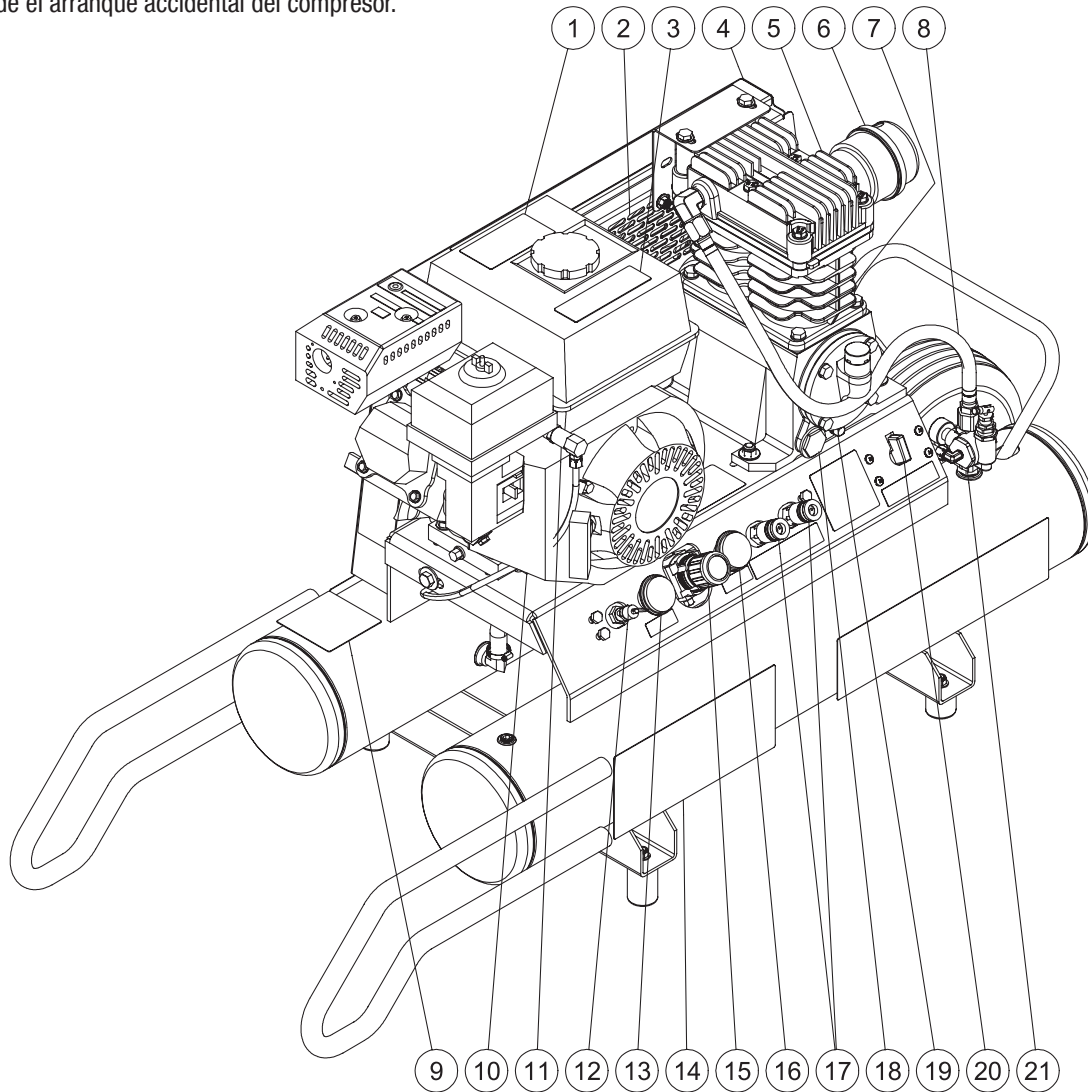
- Plomo de pinturas a base de plomo,
- Sílice cristalina de ladrillos y cemento y otros productos de mampostería, y
- Arsénico y cromo de madera tratada químicamente.

Su riesgo por causa de estas exposiciones varía, dependiendo de con cuánta frecuencia realice este tipo de trabajo. Para reducir su exposición a estos agentes químicos: trabaje en un área bien ventilada y trabaje con equipo de seguridad aprobado, como por ejemplo máscaras antipolvo que estén diseñadas especialmente para impedir mediante filtración el paso de partículas microscópicas.

GUARDE ESTAS INSTRUCCIONES

DESCRIPCIÓN FUNCIONAL Y ESPECIFICACIONES

⚠️ ADVERTENCIA Apague y detenga siempre el motor antes de hacer cualquier ajuste, cambiar accesorios o trasladar el compresor, cuando el compresor no se esté utilizando y antes de almacenarlo. Al detener el motor se impide el arranque accidental del compresor.



1. Calcomanía: Advertencia Superficie caliente
2. Aberturas de ventilación
3. Calcomanía: Advertencia Riesgo de incendio
4. Protector de la correa
5. Bomba del compresor de aire
6. Filtro de aire
7. Orificio de llenado del aceite
8. Línea de descarga de la bomba
9. Calcomanía: Instrucciones de mantenimiento
10. Motor
11. Control del regulador del aire
12. Válvula de alivio de seguridad
13. Manómetro: Psi de los tanques
14. Calcomanía: Instrucciones de uso
15. Regulador de presión
16. Manómetro: Psi de salida
17. Conectores de salida
18. Mirilla de comprobación del nivel del aceite

19. Drenaje del aceite de la bomba
20. Válvula de drenaje del tanque
21. Válvula piloto

Especificaciones: CGT8-65W

Tamaño del producto:	49.5 x 18.5 x 26 pulgadas
Peso:	175 lb
HP:	6.5
PCM a 100 psi:	13.1
RPM:	3200
Tiempo de recuperación:	14 s
Motor:	Honda GX200 OHV
Tipo de accionamiento:	Correa
Mantenimiento:	Aceite y gasolina
Bomba:	Aceite no detergente 30W
Motor:	Consulte el manual del motor para conocer los requisitos de aceite y gasolina

ENSAMBLAJE E INSTALACIÓN

LUBRICACIÓN Y ACEITE

⚠ PRECAUCIÓN No intente utilizar este compresor de aire sin verificar primero el nivel de aceite del cárter. Este compresor se envía con aceite en el cárter. El compresor puede sufrir daños graves como consecuencia de un funcionamiento incluso momentáneo sin lubricación adecuada.

Antes de cada uso, verifique el nivel de aceite del cárter. Con el compresor se provee una mirilla de comprobación del nivel del aceite con marcas de nivel mínimo y máximo del aceite.

Verifique siempre que el nivel del aceite esté en la marca máxima de la mirilla de comprobación del nivel del aceite antes de utilizar esta unidad. No opere la bomba con una cantidad de aceite inadecuada o excesiva. Los costos de las fallas que ocurren debido a niveles incorrectos de aceite no estarán cubiertos por la garantía.

Para comprobar el nivel del aceite:

1. Coloque la unidad en una superficie nivelada.
2. Verifique el nivel del aceite a través de la mirilla de comprobación del nivel del aceite.

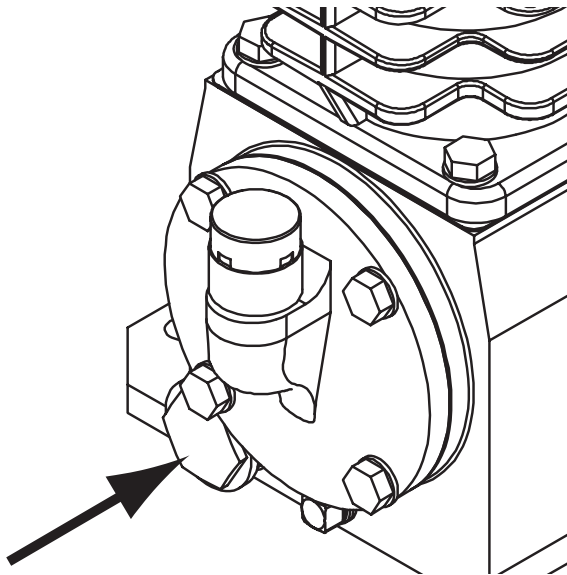


Fig. 1

3. Si el nivel de aceite es bajo, añada aceite según sea necesario, pero no exceda el nivel de aceite máximo.

⚠ PRECAUCIÓN No deje que partículas tales como aserrín caigan en el cárter cuando éste se encuentre abierto para inspección. Las partículas en el aceite pueden reducir la vida útil del compresor.

⚠ PRECAUCIÓN No utilice un aceite detergente en el cárter. Los aceites detergentes dejarán depósitos en los componentes internos del compresor, reduciendo la vida útil y el rendimiento del compresor.

PREPARACIÓN PARA EL USO

⚠ ADVERTENCIA Utilice este compresor y todos los accesorios de acuerdo con las instrucciones.

El compresor y los accesorios se deben utilizar para el propósito para el cual están diseñados. La utilización del compresor para operaciones que no sean las que se describen en este manual puede causar una situación peligrosa.

MOTOR DE GASOLINA

Siga las instrucciones antes de utilizar un compresor con el motor de gasolina:

1. Examine "Normas de seguridad para el compresor de gasolina" en la página 29 antes de abastecerlo de combustible.
2. Lea el manual del motor que acompaña a este compresor de aire para familiarizarse con los procedimientos de mantenimiento correctos para el arranque del motor.
3. Lea y entienda las etiquetas de seguridad ubicadas en el compresor de aire.
4. Se recomienda combustible de 86 octanos como mínimo para utilizarse con este compresor de aire. NO mezcle aceite con gasolina.
5. Consulte el manual del motor para informarse sobre la gasolina y el aceite recomendados.
6. Compruebe el nivel de aceite del motor antes de comenzar (consulte el manual del motor).
7. Llene el tanque de combustible de acuerdo con las instrucciones contenidas en el manual del motor.
8. Consulte el manual del motor para familiarizarse con todo el mantenimiento y todos los ajustes necesarios.

⚠ ADVERTENCIA Cambie el aceite del cárter después de las primeras 50 horas de funcionamiento y tal y como se recomienda en la sección de mantenimiento de este manual. Si no se cambia el aceite de acuerdo con el programa de mantenimiento, se reducirán la vida útil y el rendimiento del compresor.

UTILIZACIÓN

ARRANQUE DEL COMPRESOR

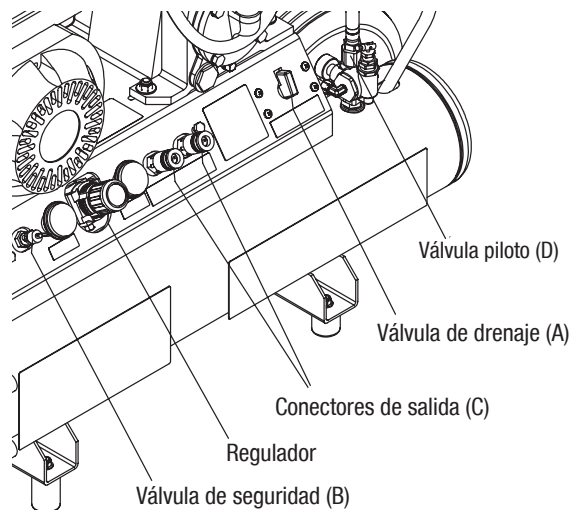


Fig. 2

1. Posicione el compresor en una superficie plana o una superficie con una inclinación de 10° o menos, en un área bien ventilada alejada de los vapores.
2. Asegúrese de que todas las cubiertas y etiquetas estén colocadas en el lugar correcto, que las etiquetas sean legibles y que estén montadas de manera segura.
3. Asegúrese de que la válvula de drenaje esté cerrada en la posición vertical. (A)
4. Asegúrese de que la válvula de seguridad (B) esté funcionando apropiadamente jalando el anillo de la válvula y deje que la válvula se reajuste. La válvula de alivio de seguridad está diseñada para proteger contra el aire a alta presión procedente del tanque de aire cuando se excede su presión ajustada en la fábrica (ligeramente más alta que el ajuste de desconexión del interruptor de presión).

⚠ ADVERTENCIA Si la válvula de alivio de seguridad purga aire en condiciones de funcionamiento normales, deje de usar el compresor inmediatamente y envíelo para hacerle servicio de ajustes y reparaciones. Si la válvula de alivio de seguridad está purgando aire de los tanques, es posible que la válvula piloto necesite ajuste en la fábrica.

5. Conecte las mangueras al compresor. (C) Consulte "Conexión del suministro de aire" más adelante.
6. Bascule la palanca acodada ubicada en la parte de arriba de la válvula piloto (D) hasta la posición vertical. El compresor de aire descargará y permitirá un arranque más fácil del motor.

7. Arranque el motor (consulte el Manual del motor que acompaña a esta unidad).
8. Cuando el motor haya funcionado durante 1-2 minutos, bascule la palanca acodada de vuelta a la posición horizontal.
9. Si observa cualquier ruido o vibración anormal, detenga el compresor de aire y consulte "Resolución de problemas".

SUPERFICIES CALIENTES

⚠ ADVERTENCIA Tenga cuidado cuando toque las superficies metálicas del compresor que están al descubierto. Muchos componentes, tales como la cabeza del compresor, el motor y los tubos, permanecerán calientes incluso después de haber apagado el compresor de aire. Deje que el compresor se enfríe antes de moverlo o intentar hacerle mantenimiento.

AJUSTE DEL REGULADOR

Este compresor está equipado con un regulador interno que controla la presión de salida de los dos acopladores hembra de conexión rápida. La presión regulada será igual o menor que la presión de los tanques, dependiendo del ajuste realizado por el usuario.

Para ajustar la presión regulada:

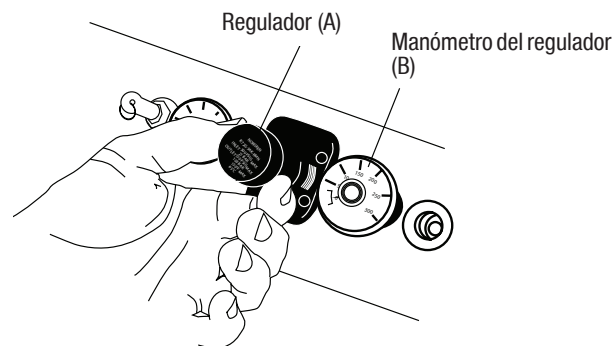


Fig. 3

1. Jale hacia fuera el pomo del regulador.
2. Para aumentar la presión, gire el pomo en el sentido de las agujas del reloj.
3. Para reducir la presión, gire el pomo en sentido contrario al de las agujas del reloj.
4. Cuando se haya ajustado la presión deseada, empuje hacia dentro el pomo del regulador para fijar la presión.
5. La presión regulada se muestra como (B).

UTILIZACIÓN

CONEXIÓN DEL SUMINISTRO DE AIRE

⚠ ADVERTENCIA Agarre firmemente la manguera en la mano cuando instale las mangueras. Si la manguera no se agarra firmemente o no se instala correctamente, puede dar latigazos y lesionar al personal que esté en el área de operación.

INSTALACIÓN DE LAS MANGUERAS:

1. Agarre la manguera en el enchufe de conexión rápida y empuje el enchufe al interior del cuerpo de conexión rápida. El acoplador encajará a presión en su sitio.

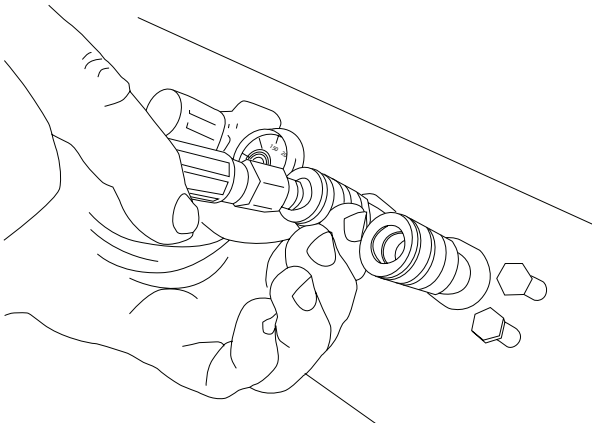


Fig. 4

2. Agarre la manguera y jálela para asegurarse de que el acoplador esté asentado.

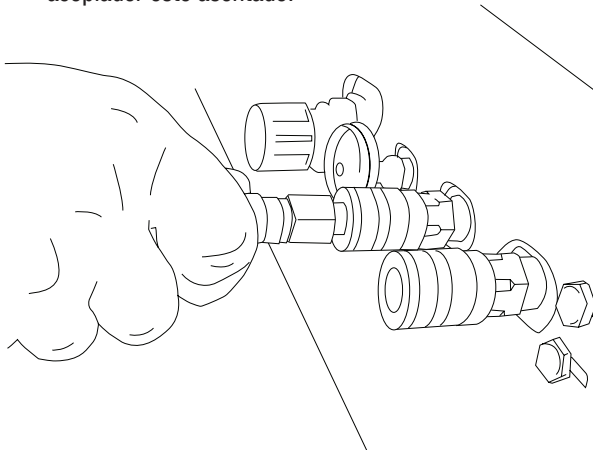


Fig. 5

TEMPERATURAS DE FUNCIONAMIENTO

Las temperaturas de funcionamiento son entre 32 y 104 °F (0 y 40 °C). Si la unidad está funcionando fuera de las temperaturas recomendadas, podría tener dificultad para arrancar y causará un desgaste adicional en los componentes.

⚠ ADVERTENCIA Desconecte el compresor de la fuente de alimentación, drene los tanques de aire y deje que el compresor se enfríe antes de hacerle ajustes, trasladarlo, irse del área de trabajo, rea-

lizar mantenimiento o almacenar el compresor. Dichas medidas de seguridad precautorias reducen el riesgo de lesiones.

APAGADO DEL COMPRESOR

1. Mueva el interruptor del motor hasta la posición de "apagado" (consulte el Manual del motor que acompaña a esta unidad).
2. Gire el regulador hasta que la presión de salida dé una lectura de 0 psi.
3. Retire la manguera y el ensamblaje de la manguera. Consulte "Desconexión del suministro de aire" más adelante.
4. Drene el aire de los tanques de aire. Para hacerlo, deje salir el aire jalando la válvula de alivio de seguridad.
5. Una vez que la presión de los tanques de aire esté por debajo de 20 psi, abra la válvula de drenaje ubicada en el panel de control para drenar la humedad de los tanques. Consulte "Drenaje de los tanques" más adelante.
6. Deje que el compresor se enfríe antes de almacenarlo.

DESCONEXIÓN DEL SUMINISTRO DE AIRE

DESCONEXIÓN DE LAS MANGUERAS:

1. Asegúrese de que el manómetro para presión regulada dé una lectura de 0 psi (0 kPa).
2. Jale hacia atrás el acoplador del cuerpo de conexión rápida para soltar el enchufe de conexión rápida de la manguera.

DRENAJE DE LOS TANQUES

1. Coloque el compresor en una superficie nivelada.

⚠ ADVERTENCIA Asegúrese de que el compresor esté en una superficie nivelada. Si el compresor no está nivelado, el agua no drenará de los tanques, causando corrosión, lo cual puede hacer que los tanques revienten.

2. Si la presión es superior a 20 psi, use la válvula de alivio de seguridad para reducir la presión de los tanques.
3. Asegúrese de que no haya personal en el área de descarga del drenaje detrás del compresor.

⚠ ADVERTENCIA No dirija el chorro de aire hacia personas o animales. El aire a alta presión puede propulsar el polvo y los residuos a alta velocidad. El aire comprimido procedente del compresor puede contener agua, aceite, partículas metálicas u otros contaminantes que pueden causar lesiones graves.

4. Gire la válvula de drenaje ubicada en el panel de control 90° en sentido contrario al de las agujas del reloj. Cuando los tanques estén vacíos, cierre la válvula.

⚠ ADVERTENCIA No abra la válvula de drenaje con una presión superior a 20 psi en los tanques. Dicha medida de precaución reduce el riesgo de lesiones.

5. Cuando los tanques estén vacíos, cierre la válvula.

MANTENIMIENTO

⚠ ADVERTENCIA El mantenimiento realizado por personal no autorizado puede causar una descolocación de los componentes internos, lo cual podría causar un peligro grave. Recomendamos que todo el servicio de ajustes y reparaciones de la herramienta sea realizado por un centro de servicio de fábrica BOSCH o una estación de servicio BOSCH autorizada.

Este compresor de aire requiere mantenimiento periódico de acuerdo con el programa de mantenimiento descrito en la próxima página, con el fin de mantener el compresor en condiciones óptimas.

Use una solución de agua jabonosa para inspeccionar el compresor con el fin de determinar si tiene fugas. Si se encuentran fugas en la bomba del compresor, los tanques de aire o los tubos, ¡reemplace inmediatamente el compresor! No intente nunca reparar fugas, soldar o hacer modificaciones en el de aire u otras piezas de confinamiento de fluidos, ya que existe un riesgo de reventón.

Para comprobar el filtro de aire, desenrosque dicho filtro del compresor e inspecciónelo visualmente. Si el filtro parece estar obstruido, reemplácelo. Después de la inspección, enrosque el filtro de aire de vuelta en el compresor.

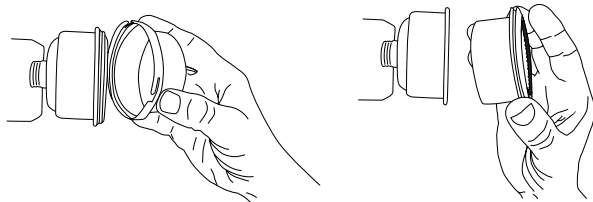


Fig. 6

SERVICIO DE AJUSTES Y REPARACIONES

Para cambiar el aceite:

1. Asegúrese de que la bomba esté fría para evitar el riesgo

Si la unidad se utiliza en un área excesivamente sucia o con exceso de polvo, aumente la frecuencia de todas las medidas de mantenimiento programados.

Recomendación	Diariamente	Semanalmente	Cada 200 horas
Compruebe si el nivel o los niveles de aceite son apropiados y si hay fugas de aceite	X		
Compruebe el filtro de aire del motor	X		
Drene la humedad de los tanques diariamente o después de cada uso	X		
Asegúrese de que todos los protectores de seguridad estén instalados de manera correcta y segura	X		
Limpie las superficies de enfriamiento del compresor		X	
Inspeccione el filtro de la entrada de aire		X	
Compruebe las válvulas de seguridad jalando los anillos		X	
Compruebe si hay fugas de aire en el sistema		X	
Compruebe la tensión de la correa		X	
Cambie el aceite de la bomba			X
Reemplace el filtro de aire			X

de quemaduras.

2. Prepare un recipiente adecuado para recoger el aceite del cárter.
3. Retire el tapón de drenaje del cárter (A) y deje que el aceite usado drene al recipiente.
4. Reinstale el tapón de drenaje.
5. Devuelva el aceite a un centro de reciclaje o deséchelo de acuerdo con los reglamentos locales.
6. Retire el pomo del orificio de lubricación (B).
7. Rellene el cárter con aceite nuevo. Llénelo con aceite hasta que la lectura esté en el centro de la mirilla de comprobación del nivel del aceite.

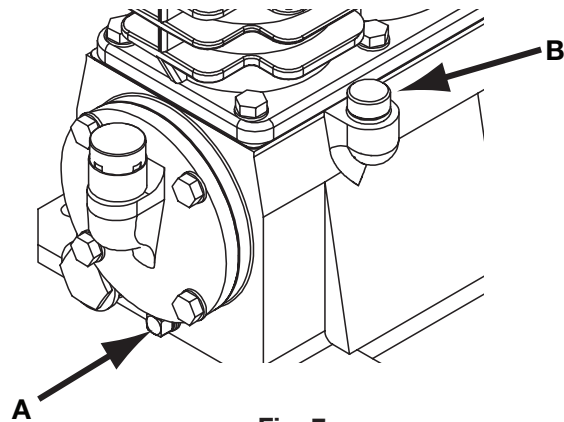


Fig. 7

8. Reinstale el pomo del orificio de lubricación.

Contacte a su centro de servicio BOSCH para obtener instrucciones y piezas reemplazables por el usuario. Para todas las demás reparaciones, contacte a su centro de servicio BOSCH.

ALMACENAMIENTO

LIMPIEZA

⚠ ADVERTENCIA Cuando limpie una herramienta, tenga cuidado de no desensamblar ninguna parte de la herramienta, ya que los componentes internos se pueden descolocar o los componentes de seguridad se pueden montar incorrectamente. Ciertos agentes de limpieza, tales como gasolina, tetracloruro de carbono, amoníaco, etc., pueden dañar las piezas de plástico y los anillos tipo O.

Limpie periódicamente el compresor con agua jabonosa y un paño húmedo.

ALMACENAMIENTO

Cuando no se esté utilizando, el compresor se debe almacenar en un lugar cálido y seco.

Saque la gasolina antes de almacenar la unidad en un lugar interior.

⚠ ADVERTENCIA Cuando no esté utilizando el compresor, almacénelo fuera del alcance de los niños y otro personal que no esté familiarizado con su utilización. Cierre con llave el área de almacenamiento. El compresor puede ser peligroso en las manos de usuarios que no estén familiarizados con su utilización.

CARGA

⚠ ADVERTENCIA Tenga cuidado cuando levante y transporte el compresor. Algunos compresores son demasiado pesados para ser levantados por una persona. Obtenga ayuda antes de intentar levantar el compresor, para reducir el riesgo de lesiones.

⚠ ADVERTENCIA El vehículo debe estar en una superficie nivelada. Si el vehículo no está en una superficie nivelada, el compresor podría deslizarse sobre la compuerta trasera del vehículo y lesionar al personal que esté en el área de operación.

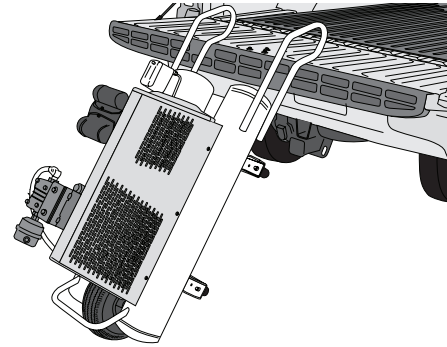


Fig. 8

1. Coloque las agarraderas sobre la parte de atrás de la compuerta trasera del vehículo.
2. Levante el compresor usando la agarradera ubicada en el extremo opuesto y deslice las agarraderas sobre la plataforma.
3. Para descargar el compresor, invierta los pasos.

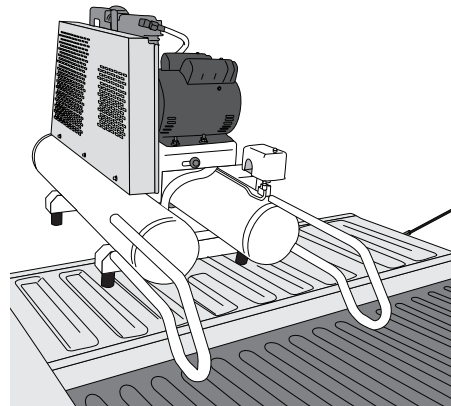


Fig. 9

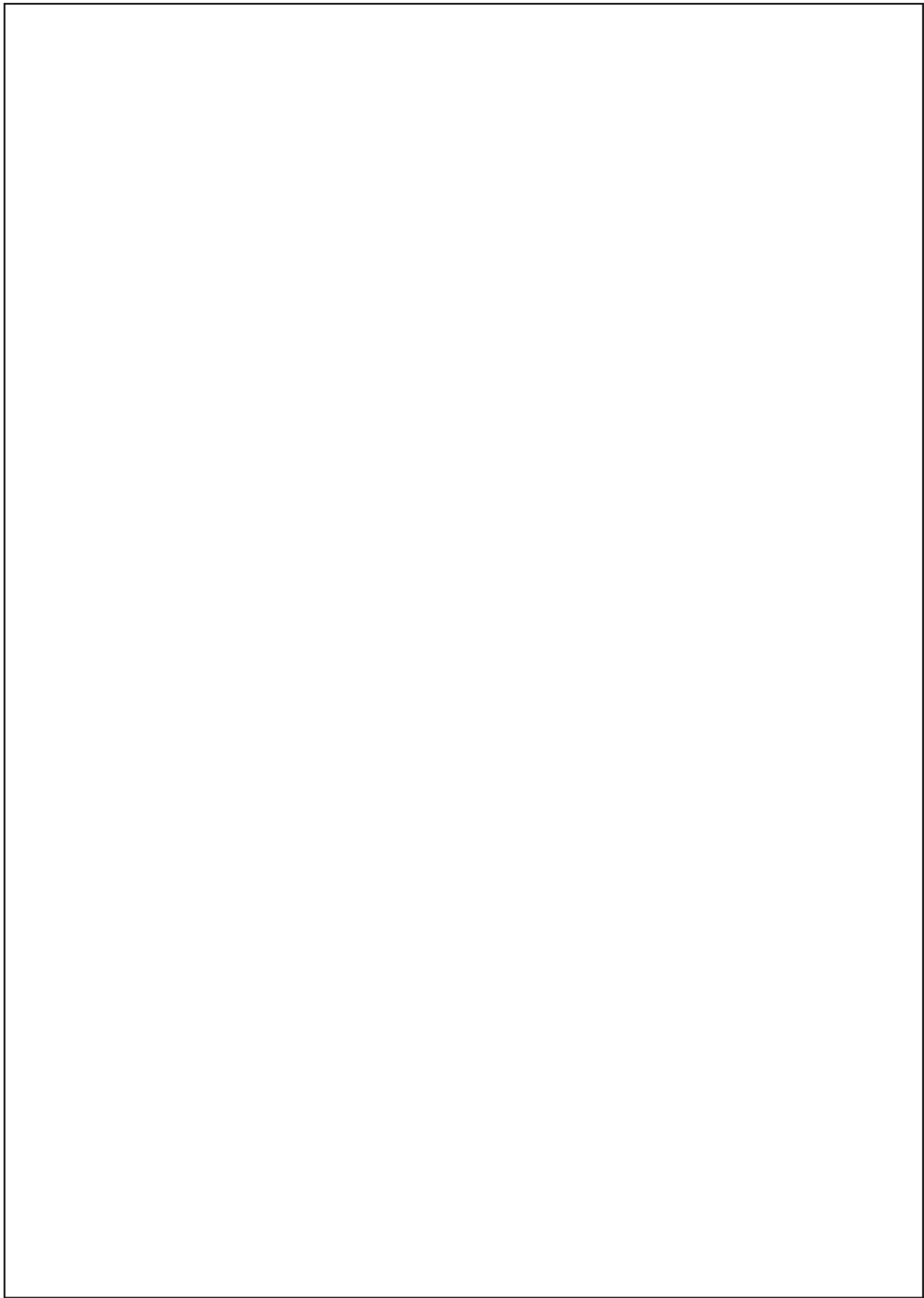
RESOLUCIÓN DE PROBLEMAS

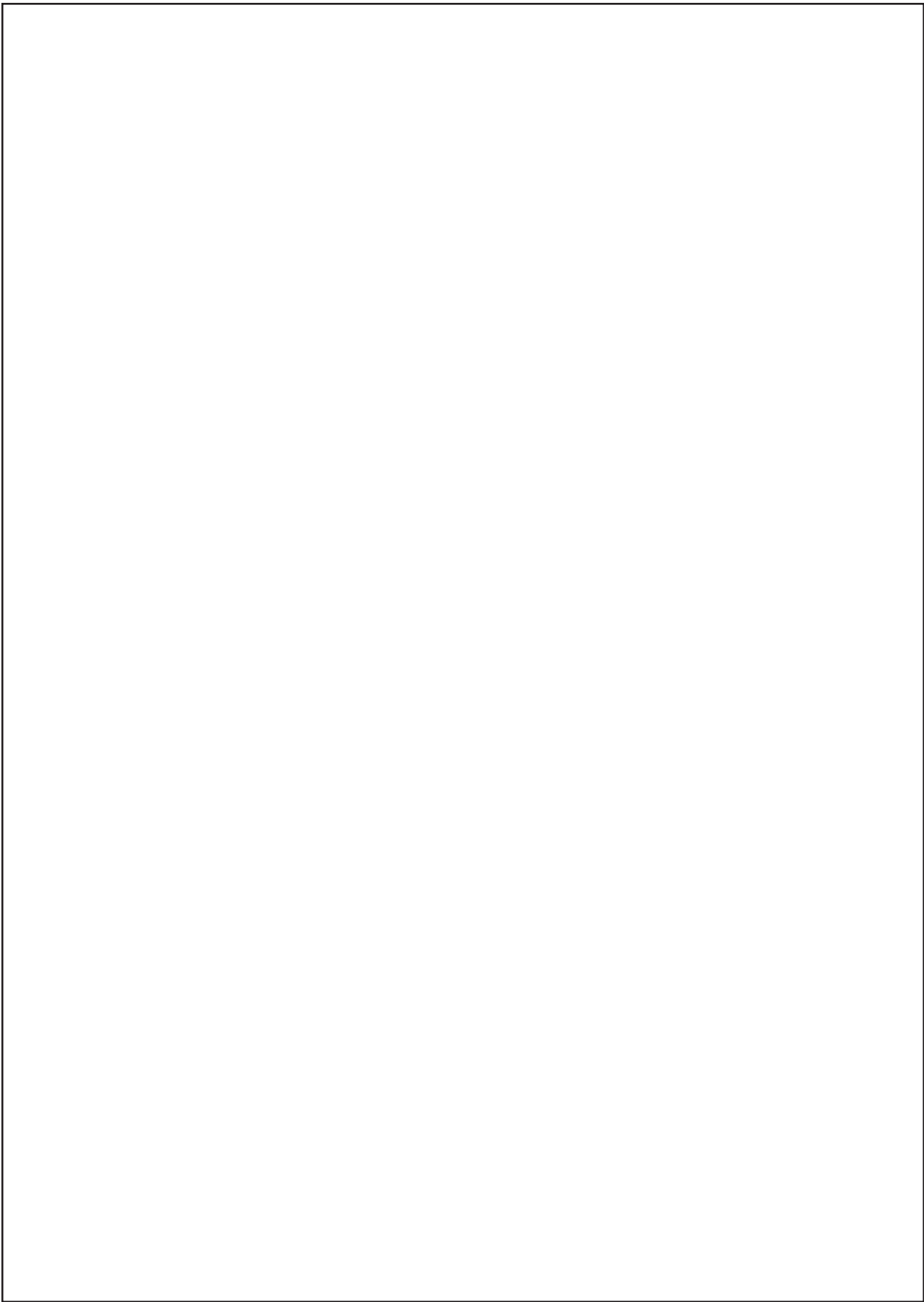
Esta sección proporciona una lista de los funcionamientos defectuosos que se encuentran más frecuentemente, sus causas y las medidas correctoras. El operador o el personal de mantenimiento puede aplicar algunas medidas correctoras, y otros funcionamientos defectuosos pueden requerir la ayuda de un técnico Bosch calificado o su distribuidor.

PROBLEMA	SÍNTOMAS	RESOLUCIÓN
Presión excesiva en los tanques de aire; la válvula de seguridad salta	<ul style="list-style-type: none"> • El interruptor de presión no apaga el motor cuando el compresor alcanza la presión de desconexión • El ajuste de desconexión del interruptor de presión está demasiado alto 	<ul style="list-style-type: none"> • Ajuste el interruptor de encendido y apagado a la posición de APAGADO. Si la unidad no se apaga, contacte a un centro de servicio de fábrica Bosch o un centro de servicio autorizado Bosch • Contacte a un centro de servicio de fábrica Bosch o un centro de servicio autorizado Bosch
Fugas de aire	<ul style="list-style-type: none"> • Los conectores de los tubos no están suficientemente apretados 	<ul style="list-style-type: none"> • Apriete los conectores donde se pueda oír que el aire escapa. Compruebe los conectores con una solución de agua jabonosa. No los sobreapriete.
Fugas de aire en el tanque de aire o en las soldaduras del tanque de aire	<ul style="list-style-type: none"> • Tanque de aire defectuoso 	<ul style="list-style-type: none"> • El tanque de aire debe ser reemplazado. No repare la fuga • Advertencia: Riesgo de reventón. No taladre, suelde ni modifique de ninguna otra manera el tanque de aire o éste se debilitará. El tanque de aire se puede romper o explotar.
Fugas de aire entre la cabeza y la placa de la válvula	<ul style="list-style-type: none"> • Sellos con fugas 	<ul style="list-style-type: none"> • Contacte a un centro de servicio de fábrica Bosch o un centro de servicio autorizado Bosch
Fugas de aire en la válvula de seguridad	<ul style="list-style-type: none"> • Válvula de seguridad defectuosa 	<ul style="list-style-type: none"> • Opere manualmente la válvula de seguridad jalando el anillo. Si la válvula aún tiene fugas, debe ser reemplazada.
Ruido de golpeteo	<ul style="list-style-type: none"> • Válvula de seguridad defectuosa • Nivel de aceite de la bomba bajo • Acumulación de carbono en la bomba 	<ul style="list-style-type: none"> • Opere manualmente la válvula de seguridad jalando el anillo. Si la válvula aún tiene fugas, debe ser reemplazada. • Añada aceite no detergente 30W a la bomba. • Contacte a un centro de servicio de fábrica a Bosch o un centro de servicio autorizado Bosch
La lectura de presión en el manómetro para presión regulada baja cuando se utiliza un accesorio	<ul style="list-style-type: none"> • El regulador no está ajustado correctamente para el accesorio que se está utilizando 	<ul style="list-style-type: none"> • Es normal que ocurra algo de caída de presión cuando se utilice un accesorio. Ajuste el regulador. • Nota: Ajuste la presión regulada bajo las condiciones de flujo mientras se está utilizando el accesorio.

RESOLUCIÓN DE PROBLEMAS

<p>El compresor no está suministrando suficiente aire para operar los accesorios</p>	<ul style="list-style-type: none"> • Uso excesivo prolongado del aire • El compresor no es lo suficientemente grande para el accesorio • Agujero en la manguera de aire • Válvula de retención restringida • Fugas de aire • Filtro de la entrada de aire restringido 	<ul style="list-style-type: none"> • Reduzca la cantidad de uso de aire. • Compruebe el requisito de aire del accesorio. Si es mayor que los PCSM o la presión suministrada por su compresor de aire, se necesita un compresor más grande para operar el accesorio • Reemplace la manguera de aire • Retírela, límpiela o reemplácela • Apriete los conectores • Limpie o reemplace el filtro de la entrada de aire.
<p>El pomo del regulador tiene una fuga de aire continua</p>	<ul style="list-style-type: none"> • El regulador está dañado 	<ul style="list-style-type: none"> • Reemplácelo.
<p>El regulador no apaga la salida de aire</p>	<ul style="list-style-type: none"> • El regulador está dañado 	<ul style="list-style-type: none"> • Reemplácelo.
<p>Humedad en el cárter de la bomba</p>	<ul style="list-style-type: none"> • La unidad está funcionando en condiciones mojadas o húmedas • Se está usando aceite tipo detergente en la bomba 	<ul style="list-style-type: none"> • Lleve la unidad a un área seca y bien ventilada • Drene el aceite y rellene la bomba con aceite no detergente 30W





LIMITED WARRANTY OF BOSCH PORTABLE AND BENCHTOP POWER TOOLS

Robert Bosch Tool Corporation ("Seller") warrants to the original purchaser only, that all BOSCH portable and benchtop power tools will be free from defects in material or workmanship for a period of one year from date of purchase. SELLER'S SOLE OBLIGATION AND YOUR EXCLUSIVE REMEDY under this Limited Warranty and, to the extent permitted by law, any warranty or condition implied by law, shall be the repair or replacement of parts, without charge, which are defective in material or workmanship and which have not been misused, carelessly handled, or misrepaired by persons other than Seller or Authorized Service Station. To make a claim under this Limited Warranty, you must return the complete portable or benchtop power tool product, transportation prepaid, to any BOSCH Factory Service Center or Authorized Service Station. For Authorized BOSCH Power Tool Service Stations, please refer to your phone directory.

THIS LIMITED WARRANTY DOES NOT APPLY TO ACCESSORY ITEMS SUCH AS CIRCULAR SAW BLADES, DRILL BITS, ROUTER BITS, JIGSAW BLADES, SANDING-BELTS, GRINDING WHEELS AND OTHER RELATED ITEMS.

ANY IMPLIED WARRANTIES SHALL BE LIMITED IN DURATION TO ONE YEAR FROM DATE OF PURCHASE. SOME STATES IN THE U.S., SOME CANADIAN PROVINCES DO NOT ALLOW LIMITATIONS ON HOW LONG AN IMPLIED WARRANTY LASTS, SO THE ABOVE LIMITATION MAY NOT APPLY TO YOU.

IN NO EVENT SHALL SELLER BE LIABLE FOR ANY INCIDENTAL OR CONSEQUENTIAL DAMAGES (INCLUDING BUT NOT LIMITED TO LIABILITY FOR LOSS OF PROFITS) ARISING FROM THE SALE OR USE OF THIS PRODUCT. SOME STATES IN THE U.S. AND SOME CANADIAN PROVINCES DO NOT ALLOW THE EXCLUSION OR LIMITATION OF INCIDENTAL OR CONSEQUENTIAL DAMAGES, SO THE ABOVE LIMITATION OR EXCLUSION MAY NOT APPLY TO YOU.

THIS LIMITED WARRANTY GIVES YOU SPECIFIC LEGAL RIGHTS, AND YOU MAY ALSO HAVE OTHER RIGHTS WHICH VARY FROM STATE TO STATE IN THE U.S., PROVINCE TO PROVINCE IN CANADA AND FROM COUNTRY TO COUNTRY.

THIS LIMITED WARRANTY APPLIES ONLY TO PORTABLE AND BENCHTOP ELECTRIC TOOLS SOLD WITHIN THE UNITED STATES OF AMERICA, CANADA AND THE COMMONWEALTH OF PUERTO RICO. FOR WARRANTY COVERAGE WITHIN OTHER COUNTRIES, CONTACT YOUR LOCAL BOSCH DEALER OR IMPORTER.

GARANTIE LIMITÉE DES OUTILS ÉLECTRIQUES PORTATIFS ET D'ÉTABLI BOSCH

Robert Bosch Tool Corporation (le « vendeur ») garantit à l'acheteur initial seulement que tous les outils électriques portatifs et d'établi BOSCH seront exempts de vices de matériaux ou d'exécution pendant une période d'un an depuis la date d'achat. LA SEULE OBLIGATION DU VENDEUR ET LE SEUL RECOURS DE L'ACHETEUR sous la présente garantie limitée, et en autant que la loi le permette sous toute garantie ou condition implicite qui en découlerait, sera l'obligation de remplacer ou réparer gratuitement les pièces défectueuses matériellement ou comme fabrication, pourvu que lesdites défectuosités ne soient pas attribuables à un usage abusif ou à quelque réparation bricolée par quelqu'un d'autre que le vendeur ou le personnel d'une station-service agréée. Pour présenter une réclamation en vertu de cette garantie limitée, vous devez renvoyer l'outil électrique portatif ou d'établi complet, port payé, à tout centre de service agréé ou centre de service usine BOSCH. Veuillez consulter votre annuaire téléphonique pour les adresses.

LA PRÉSENTE GARANTIE NE S'APPLIQUE PAS AUX ACCESSOIRES TELS QUE LAMES DE SCIES CIRCULAIRES, MÈCHES DE PERCEUSES, FERS DE TOUPIES, LAMES DE SCIES SAUTEUSES, COURROIES DE PONÇAGE, MEULES ET AUTRES ARTICLES DU GENRE.

TOUTE GARANTIE IMPLICITE SERA LIMITÉE COMME DURÉE À UN AN À COMPTER DE LA DATE D'ACHAT. CERTAINS ÉTATS AMÉRICAINS, CERTAINES PROVINCES CANADIENNES N'ADMETTANT PAS LE PRINCIPE DE LA LIMITATION DE LA DURÉE DES GARANTIES IMPLICITES, IL EST POSSIBLE QUE LES LIMITATIONS CI-DESSUS NE S'APPLIQUENT PAS À VOTRE CAS.

EN AUCUN CAS LE VENDEUR NE SAURAIT ÊTRE TENU POUR RESPONSABLE DES INCIDENTS OU DOMMAGES INDIRECTS (INCLUANT, MAIS NE SE LIMITANT PAS AUX PERTES DE PROFITS) CONSÉCUTIFS À LA VENTE OU L'USAGE DE CE PRODUIT. CERTAINS ÉTATS AMÉRICAINS ET CERTAINES PROVINCES CANADIENNES N'ADMETTANT PAS LE PRINCIPE DE LA LIMITATION NI L'EXCLUSION DES DOMMAGES INDIRECTS ET CONSÉQUENTIELS, IL EST POSSIBLE QUE LES LIMITATIONS OU EXCLUSIONS CI-DESSUS NE S'APPLIQUENT PAS À VOTRE CAS.

LA PRÉSENTE GARANTIE VOUS ACCORDE DES DROITS BIEN DÉTERMINÉS, Y COMPRIS POSSIBLEMENT CERTAINS DROITS VARIABLES DANS LES DIFFÉRENTS ÉTATS AMÉRICAINS, PROVINCES CANADIENNES.

CETTE GARANTIE LIMITÉE NE S'APPLIQUE QU'AUX OUTILS ÉLECTRIQUES PORTATIFS ET D'ÉTABLI VENDUS AUX ÉTATS-UNIS D'AMÉRIQUE, AU CANADA ET AU COMMONWEALTH DE PORTO RICO. POUR COUVERTURE DE GARANTIE DANS LES AUTRES PAYS, CONTACTEZ VOTRE IMPORTATEUR OU REVENDEUR BOSCH LOCAL.

GARANTIA LIMITADA PARA HERRAMIENTAS MECANICAS PORTATILES Y PARA TABLERO DE BANCO BOSCH

Robert Bosch Tool Corporation ("el Vendedor") garantiza, únicamente al comprador original, que todas las herramientas mecánicas portátiles y para tablero de banco BOSCH estarán libres de defectos de material o de fabricación durante un período de un año a partir de la fecha de compra. LA UNICA OBLIGACION DEL VENDEADOR Y EL RECURSO EXCLUSIVO QUE USTED TIENE bajo esta Garantía Limitada y, hasta donde la ley lo permita, bajo cualquier garantía o condición implícita por ley, consistirá en la reparación o sustitución sin costo de las piezas que presenten defectos de material o de fabricación y que no hayan sido utilizadas incorrectamente, manejadas descuidadamente o reparadas incorrectamente por personas que no sean el Vendedor o una Estación de servicio autorizada. Para efectuar una reclamación bajo esta Garantía Limitada, usted debe devolver el producto, que consiste en la herramienta mecánica portátil o para tablero de banco completa, con el transporte pagado, a cualquier Centro de servicio de fábrica o Estación de servicio autorizada BOSCH. Para Estaciones de servicio autorizadas de herramientas mecánicas BOSCH, por favor, consulte el directorio telefónico.

ESTA GARANTIA LIMITADA NO SE APLICA A ARTICULOS ACCESORIOS TALES COMO HOJAS PARA SIERRAS CIRCULARES, BROCAS PARA TALADROS, BROCAS PARA FRESADORAS, HOJAS PARA SIERRAS DE VAIVEN, CORREAS PARA LIJAR, RUEDAS DE AMOLAR Y OTROS ARTICULOS RELACIONADOS.

TODAS LAS GARANTIAS IMPLICITAS TENDRAN UNA DURACION LIMITADA A UN AÑO A PARTIR DE LA FECHA DE COMPRA. ALGUNOS ESTADOS DE LOS EE.UU., ALGUNAS PROVINCIAS CANADIENSES NO PERMITEN LIMITACIONES EN CUANTO A LA DURACION DE UNA GARANTIA IMPLICITA, POR LO QUE ES POSIBLE QUE LA LIMITACION ANTERIOR NO SEA APLICABLE EN EL CASO DE USTED.

EL VENDEADOR NO SERA RESPONSABLE EN NINGUN CASO DE NINGUN DAÑO INCIDENTAL O EMERGENTE (INCLUYENDO PERO NO LIMITADO A RESPONSABILIDAD POR PERDIDA DE BENEFICIOS) QUE SE PRODUZCA COMO CONSECUENCIA DE LA VENTA O UTILIZACION DE ESTE PRODUCTO. ALGUNOS ESTADOS DE LOS EE.UU. Y ALGUNAS PROVINCIAS CANADIENSES NO PERMITEN LA EXCLUSION O LIMITACION DE LOS DAÑOS INCIDENTALES O EMERGENTES, POR LO QUE ES POSIBLE QUE LA LIMITACION O EXCLUSION ANTERIOR NO SEA APLICABLE EN EL CASO DE USTED.

ESTA GARANTIA LIMITADA LE CONFIERE A USTED DERECHOS LEGALES ESPECIFICOS Y ES POSIBLE QUE USTED TAMBIEN TENGA OTROS DERECHOS QUE VARIAN DE ESTADO A ESTADO EN LOS EE.UU., DE PROVINCIA A PROVINCIA EN CANADA.

ESTA GARANTIA LIMITADA SE APLICA SOLAMENTE A HERRAMIENTAS ELECTRICAS PORTATILES Y PARA TABLERO DE BANCO VENDIDAS EN LOS ESTADOS UNIDOS DE AMERICA, CANADA Y EL ESTADO LIBRE ASOCIADO DE PUERTO RICO. PARA COBERTURA DE GARANTIA EN OTROS PAISES, PONGASE EN CONTACTO CON SU DISTRIBUIDOR O IMPORTADOR LOCAL DE BOSCH.

©Robert Bosch Tool Corporation 1800 W. Central Road Mt. Prospect, IL 60056 -2230

Exportado por: Robert Bosch Tool Corporation Mt. Prospect, IL 60056 -2230, E.U.A.

Importado en México por: Robert Bosch, S.A. de C.V., Calle Robert Bosch No. 405, Zona Industrial, Toluca, Edo. de México, C.P. 50070, Tel. (722) 2792300

Free Manuals Download Website

<http://myh66.com>

<http://usermanuals.us>

<http://www.somanuals.com>

<http://www.4manuals.cc>

<http://www.manual-lib.com>

<http://www.404manual.com>

<http://www.luxmanual.com>

<http://aubethermostatmanual.com>

Golf course search by state

<http://golfingnear.com>

Email search by domain

<http://emailbydomain.com>

Auto manuals search

<http://auto.somanuals.com>

TV manuals search

<http://tv.somanuals.com>