

EX36-IP No-Grip Corner Mount Camera

EX36-IP



BOSCH

en Installation Manual

Important safety instructions

Type numbers: NEC-360F02-11 | NEC-360F02-21 | NEC-360F04-11
NEC-360F04-21 | INEI-368F04-11 | INEI-368F04-21 | INEI-368F04-11
NEI-368F04-21 | INEI-369F02-11 | INEI-369F02-21 | INEI-369F04-11
NEI-369F04-21

Read, follow, and retain all of the following safety instructions. Heed all warnings on the unit and in the operating instructions.

1. **Cleaning** - Unpower the unit before cleaning. Follow any instructions provided with the unit. Generally, using a dry cloth for cleaning is sufficient, but a moist fluff-free cloth or leather shammy may also be used. Do not use liquid cleaners or aerosol cleaners.
2. **Heat Sources** - Do not install the unit near any heat sources such as radiators, heaters, stoves, or other equipment (including amplifiers) that produce heat.
3. **Object and liquid entry** - Never push objects of any kind into this unit through openings as they may touch dangerous voltage points or short-out parts that could result in a fire or electrical shock. Never spill liquid of any kind on the unit. Do not place objects filled with liquids, such as vases or cups, on the unit.
4. **Controls adjustment** - Adjust only those controls specified in the operating instructions. Improper adjustment of other controls may cause damage to the unit. Use of controls or adjustments, or performance of procedures other than those specified, may result in hazardous radiation exposure.
5. **Overloading** - Do not overload outlets and extension cords. This can cause fire or electrical shock.
6. **Power sources** - Operate the unit only from the type of power source indicated on the label. Before proceeding, be sure to disconnect the power from the cable to be installed into the unit.
 - For external power supplied units, use only the recommended or approved power supplies.
 - For limited power source units, this power source must comply with *EN60950*. Substitutions may damage the unit or cause fire or shock.
 - For 24 VAC units, voltage applied to the unit's power input should not exceed 24 VAC. User-supplied wiring must comply with local electrical codes (Class 2 power levels). Do not ground the supply at the terminals or at the unit's power supply terminals.
 - If unsure of the type of power supply to use, contact your dealer or local power company.
7. **Damage requiring service** - Unplug the unit from the main AC power source and refer servicing to qualified service personnel when any damage to the equipment has occurred, such as:
 - the power supply cord or plug is damaged;

- liquid has been spilled in or on the equipment;
 - an object has fallen into the unit;
 - unit has been dropped or the unit cabinet is damaged;
 - unit exhibits a distinct change in performance;
 - unit does not operate normally when the user correctly follows the operating instructions.
8. Safety check - Safety checks should be performed upon completion of service or repairs to the unit to ensure proper operating condition.
 9. Installation - Install in accordance with the manufacturer's instructions and in accordance with applicable local codes.
 10. Attachments, changes, or modifications - Only use attachments/accessories specified by the manufacturer. Any change or modification of the equipment, not expressly approved by Bosch, could void the warranty or, in the case of an authorization agreement, authority to operate the equipment.



DANGER! High risk: This symbol indicates an imminently hazardous situation such as " Dangerous Voltage " inside the product. If not avoided, this will result in an electrical shock, serious bodily injury, or death.



CAUTION! Alerts the user to the risk of damage to the unit



WARNING! Medium risk: Indicates a potentially hazardous situation. If not avoided, this may result in minor or moderate injury. Alerts the user to important instructions accompanying the unit.



NOTE! This symbol indicates information or a company policy that relates directly or indirectly to the safety of personnel or protection of property.

The full version Installation Manual is available on the enclosed CD-ROM and can be viewed and printed out with Acrobat Reader, which is also on the enclosed CD-ROM. This user guide is the intellectual property of BOSCH Security Systems and is protected by copyright

CAUTION!



- **Camera Grounding** - For mounting the camera in potentially damp environments, ensure to ground the system using the ground connection of the power supply connector (see section: Connecting external power supply).
- **U.S.A. models only** - *Section 810 of the National Electrical Code, ANSI/NFPA No. 70*, provides information regarding proper grounding of the mount and supporting structure, grounding of the coax to a discharge unit, size of grounding conductors, location of discharge unit, connection to grounding electrodes, and requirements for the grounding electrode.
- **Permanently connected equipment** - Incorporate a readily accessible disconnect device in the building installation wiring.
- **Power lines** - Do not locate the camera near overhead power lines, power circuits, or electrical lights, nor where it may contact such power lines, circuits, or lights.

1.1 Unpacking

Parts list (items supplied with unit)

- EX36IP Infrared Imager™ Assembly
- Installation Instructions booklet
- Allen Key
- Software CD

Items required for installation

(not supplied with units)

- Mounting hardware
- Mounting tools
- PC/Laptop with RJ45 Ethernet port
- Power supply

1.2 Initial Preparations

- 1.) Determine the operating voltage at the installation site. The camera's Voltage Regulator Board accepts 12-24VAC / VDC input without change to internal connections.
- 2.) Determine the optimum mounting location for the camera. See *Section 2, Mounting the unit.*
- 3.) All cameras have been tested and pre-focused with telephoto setting as factory default prior to shipment. If any adjustment needed, it is advisable to check the camera's operation before installation
- 4.) Install IP Camera Software on PC.

2. Mounting the unit

2.1 Faceplate removal

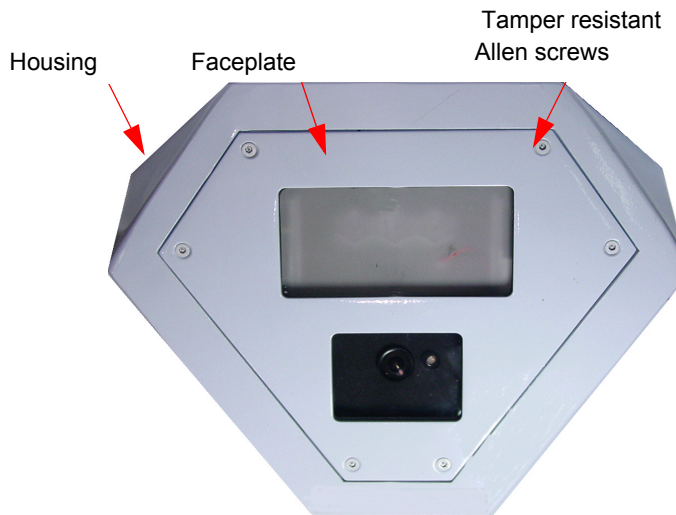
The faceplate must be removed prior to the installation process.

This is necessary because the mounting holes need to be accessed.

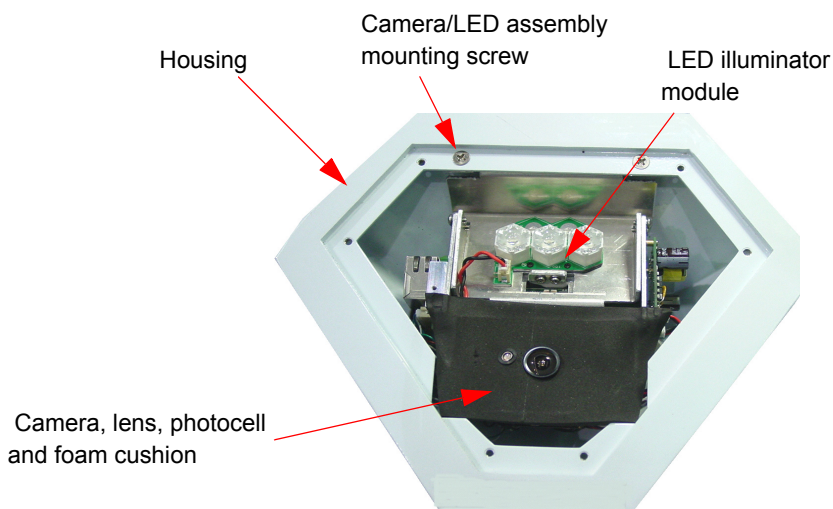
The lens may need to have its directional angle changed.

- 1.) Place the camera housing on a flat surface.

- 2.) Use the supplied “security” Allen wrench to remove the six screws holding the faceplate to the housing.
- 3.) Remove the square foam cushion attached to the camera lens.
- 4.) Ensure the polycarbonate windows in the faceplate are not scratched.



2.2 Layout of modules



This view shows the interior layout of the EX36IP Camera assembly after the faceplate has been removed.

2.3 Camera: Mounting and setup:

Select a suitable location that protects the camera from accidental damage, tampering and environmental conditions exceeding the specifications of the camera to be mounted.



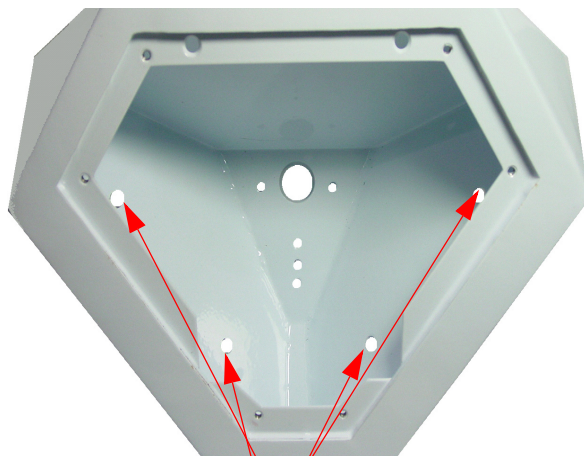
CAUTION! Ensure the selected location is protected from falling objects, accidental contact with moving objects and unintentional interference from personnel. Follow all applicable building codes.

These mounting guidelines should be followed:

- 1.) Locate the bracket such that it cannot be easily interfered with, either intentionally or accidentally.
- 2.) Select a smooth, flat mounting surface to ensure proper sealing. The surface must also be capable of supporting the combined weight of the camera and mounting hardware under all expected conditions of vibration and temperature. Camera performs best mounted approximately 3m off the ground.

2.1) Camera housing mounting

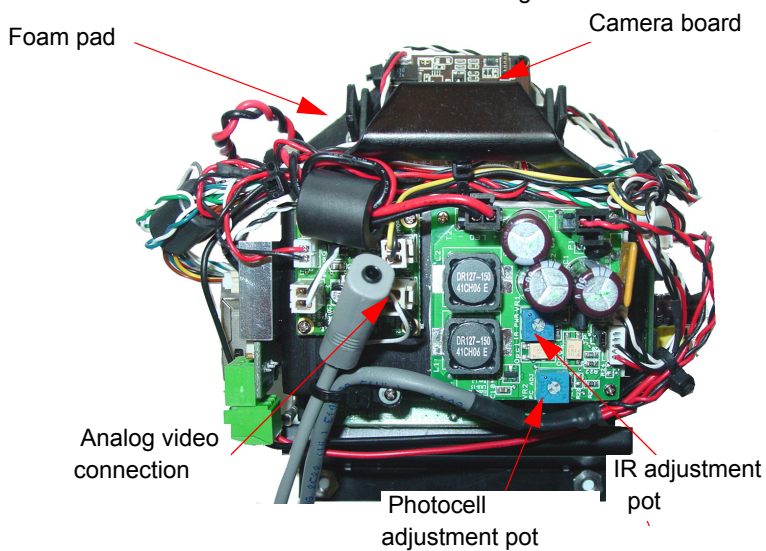
Installations on drywall must use #8 screws and #8 drywall nylon plugs or a superior connection. The camera's mounting holes are located on the left and right side of the housing. Refer to figure below. Depending on the type of mounting surface (brick, wood, etc.), it may be necessary to pre-drill these holes for the mounting screws. It is recommended that these holes be marked using the housing as a drill template and then drilled separately. This way no burrs or debris will fall into the housing. Ensure the power and video cables are not crimped or stressed after the camera has been mounted.



Mounting holes

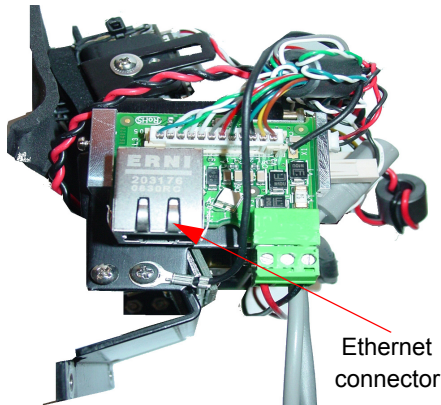
2.2) Camera connections and settings

Remove the two screws securing the Camera / LED module assembly to the housing. Gently remove the module from the camera housing.



2.3) LED array-power adjustments

The **EX36IP** needs to be powered-up while making the LED power adjustments. Cover the photocell to turn the LEDs



“ON” (850nm LEDs will have a slight red glow). Adjust the **LED** power if they are too bright or too dim. For **IR** power adjustment, rotate **VR1**. Clockwise is high and counter-clockwise is low.

2.4) Photocell adjustment

The photocell is factory set optimum level. In some conditions such as with bright foreground objects the camera may switch too early or too late. For photocell “On/Off” light-level adjustment, rotate **IR Adjustment Pot**. Clockwise is off and counter-clockwise is on.

2.5) Ethernet Connection.

Remove the two screws securing the Camera / LED module from the camera housing. See the figure below.

Re-assemble the IP board into the chassis.

3.) Secure all cabling.

Camera Setup:

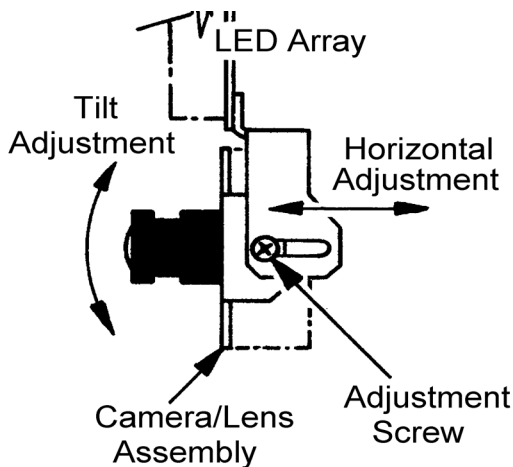
To determine if the camera is receiving a picture:

- 1.) Make sure the supplied software is installed in your PC/laptop computer (For Camera Configuration and Software Viewing Setup, refer to full version Installation Manual available on the enclosed CD-ROM -Section 4).
- 2.) Connect the camera to the PC/laptop and power up the camera. Follow the prompts. See section 2 of full version Installation Manual available on the enclosed CD-ROM for more detail.

3.) Launch Configuration Manager or web-browser.

2.4 Camera-directional adjustments

Both the camera and the LED array can be adjusted for optimum picture quality. The camera lens can be tilted on its axis via two adjustment screws on the mounting bracket. It can also be moved closer or farther away from the viewing window. Connect the Ethernet and power wires. Mount the Camera/LED Array Assembly into the housing. Check the picture for quality and directional alignment. Remove the Camera/LED Array Assembly if an adjustment is required to the camera's viewing angle or picture quality.



Loosen both adjustment screws for tilt or horizontal directional alignment. This action may require trial-and-error attempts to obtain perfect picture alignment.

2.5 Camera re-assembly

Make sure all wires are properly connected, all holes are sealed against moisture penetration, and all mounting screws are tight.

1.) Slide the lens foam over the camera lens. Make sure the foam is snug and as close to the faceplate viewing window as possible and the photocell is secure with an unobstructed view.

Note: Use Infra-Red Pass filter to cover the lens during focusing to simulate low light conditions on scene for correct 24-hour focusing.

i

For camera with manual iris lens, the camera should be focused with 2.) Attach the faceplate to the camera housing. Insert and tighten the the lens iris fully opened to simulate the worst possible depth of field. 6 bolts.
3.) Power-up the camera and check its operation.
correct setup and adjustment.

Note that statement above is applicable only for Day/Night or IR version cameras.



2.6 Camera re-assembly

Make sure all wires are properly connected, all holes are sealed against moisture penetration, and all mounting screws are tight.

- 1.) Slide the lens foam over the camera lens. Make sure the foam is snug and as close to the faceplate viewing window as possible and the photocell is secure with an unobstructed view.
- 2.) Attach the faceplate to the camera housing. Insert and tighten the 6 bolts.
- 3.) Power-up the camera and check its operation.

Americas**Bosch Security Systems, Inc.**

850 Greenfield Road
Lancaster, Pennsylvania 17601
USA

Telephone +1 888-289-0096

Fax +1 585-223-9180

Email: security.sales@us.bosch.com

www.boschsecurity.us

Europe, Middle East, Africa:**Bosch Security Systems B.V.**

P.O. Box 80002
5600 JB Eindhoven, The
Netherlands

Phone: + 31 40 2577 284

Fax: +31 40 2577 330

emea.securitysystems@bosch.com

www.boschsecurity.com

Asia-Pacific:**Bosch Security Systems Pte Ltd**

38C Jalan Pemimpin
Singapore 577180

Phone: +65 6319 3450

Fax: +65 6319 3499

apr.securitysystems@bosch.com

www.boschsecurity.com

© Bosch Security Systems, Inc. 2009; Data subject to change without notice.

Free Manuals Download Website

<http://myh66.com>

<http://usermanuals.us>

<http://www.somanuals.com>

<http://www.4manuals.cc>

<http://www.manual-lib.com>

<http://www.404manual.com>

<http://www.luxmanual.com>

<http://aubethermostatmanual.com>

Golf course search by state

<http://golfingnear.com>

Email search by domain

<http://emailbydomain.com>

Auto manuals search

<http://auto.somanuals.com>

TV manuals search

<http://tv.somanuals.com>