

Manual call point SM 210 LSN RW



BOSCH

601-4.998.125.088
A2.en / 29.12.2004
ST-FIR/PRM1 / deh

Table of contents

1.	Product description	3
2.	Features	3
3.	Planning notes	3
3.1	Maximum connectable detectors	3
3.2	Standards, guidelines, projecting recommendations	3
4.	Order list	4
5.	Construction	4
6.	Functional description	5
6.1	Detector test	5
7.	Installation notes	6
7.1.	Fixing details for the indoor versions (IP54)	6
7.2.	Fixing details for the outdoor version (IP67)	7
7.3.	Connection	8
8.	Notes for maintenance and service	9
8.1.	Further documentation	9
8.2.	Disposal	9
9.	Technical data	9
10.	Abbreviations	10
11.	Memos	11

1. Product description

Call points SM 210 LSN RW are used for manual alarming.

Manual call points SM 210 LSN RW are used within the Local Security Network LSN in association with fire detection central units.

Manual call points SM 210 LSN RW are available in 3 versions:

- SM 210 LSN RW, with back box for indoor surface mounting
- SM 210 LSN RW, with bezel for indoor flush mounting
- SM 210 LSN RW, with back box for outdoor surface mounting

2. Features

- Alarm initiating by pushing (breaking) the glass plate
⇒ injury protection by foilcoated glass plate
- Detector request routines with evaluation and multi data transmission
- Detector identification and address reported at the fire panel in the event of an alarm for a faster fire localization.
- Alarm indication at the detector via a flashing red LED

3. Planning notes

- Manual call points should be installed in easy visible and accessible places.
- Manual call points should be illuminated adequately by daylight or another light source (inclusively safety light if present).
- Manual call points should be installed in rescue- and escaping corridors (i.e. exits, passages, stairways).

3.1. Maximum connectable detectors

Because of the different current consumption of LSN elements out of the LSN data-line the maximum current consumption value per LSN loop is absolute to aboden.

For limit values please refer to the product information of the used fire detection central unit.

3.2. Standards, guidelines, projecting recommendations

See standards, guidelines and projecting recommendations for installation place and so on.

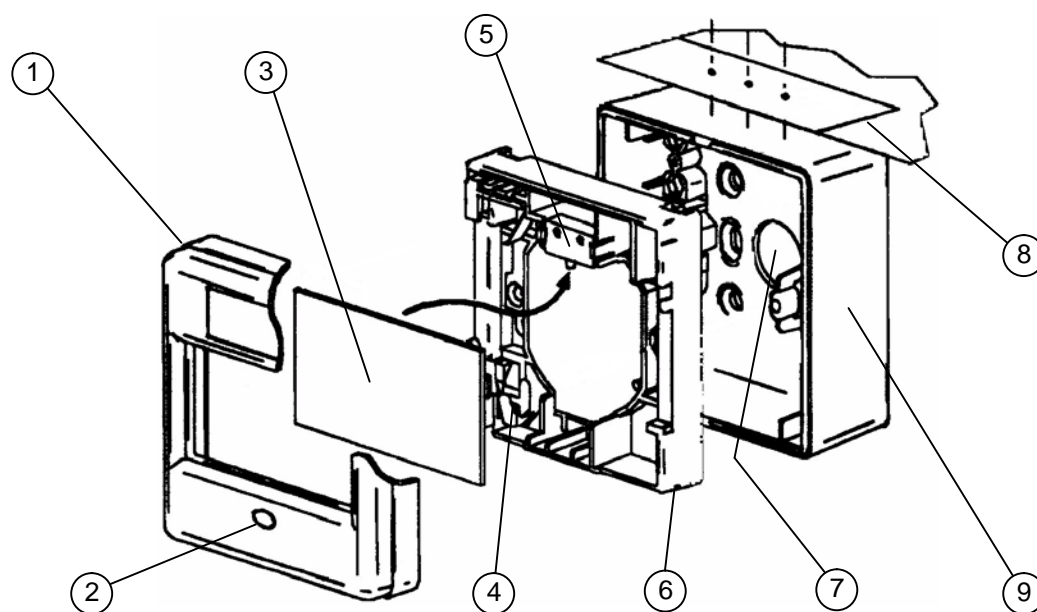
Heed the regulations of the local fire brigades.

4. Order list

Order number	DU*	Designation
4.998.098.964	ST	Manual call point SM 210 LSN RW, colour red, with test key and back box for indoor surface mounting Manual call point as per UL / LPC -standard.
4.998.098.965	ST	Manual call point SM 210 LSN RW, colour red, with test key and bezel for indoor flush mounting. Manual call point as per UL / LPC -standard.
4.998.104.058	ST	Manual call point SM 210 LSN RW, colour red, with test key and back box for outdoor surface mounting Manual call point as per UL / LPC -standard.
4.998.103.969	ST	Spare glass for SM 210 LSN RW / SM 120 RW

*DU = delivery unit / ST = Piece

5. Construction

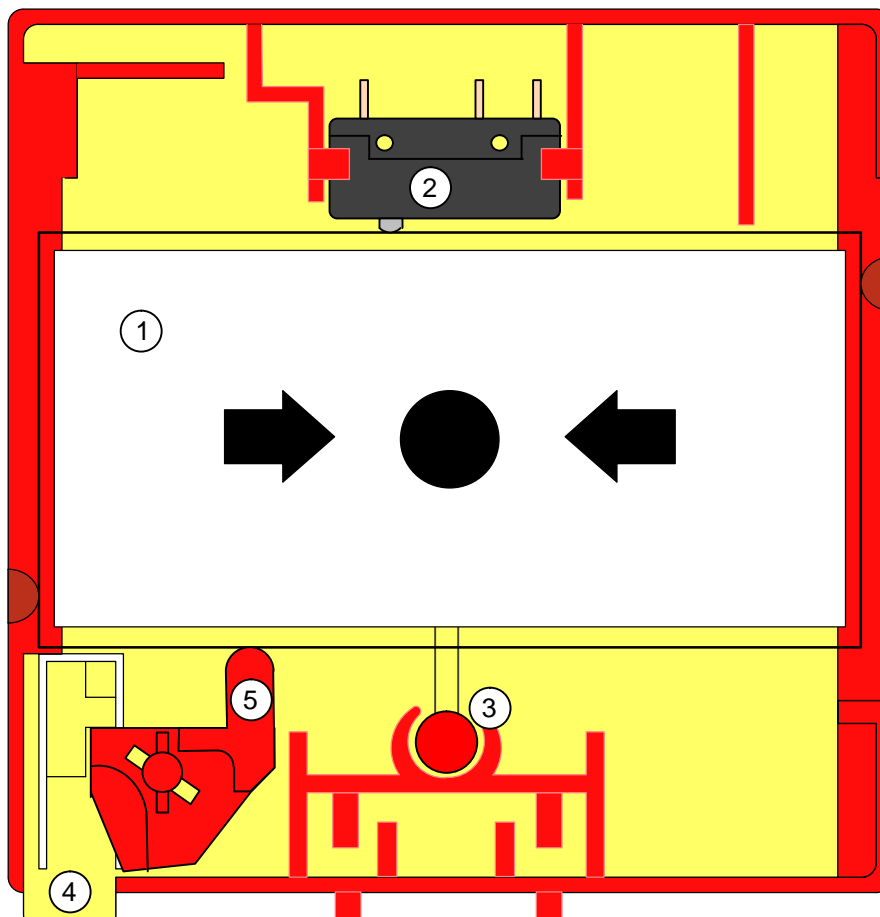


Pos.	Designation
1	detector front plate
2	alarm indication (LED)
3	glass plate with labeled protection foil
4	mechanism for alarm reset and detector test
5	micro switch
6	detector housing
7	hole for under plaster cable feed
8	template for cable glands
9	back box

6. Functional description

After pushing in the glass plate (1) the alarm will be released by the knob of the microswitch (2) and the LED (3) starts flashing.

The reset of the microswitch (2) follows by replacing the glass plate (1).



Call point without front plate

6.1. Detector test

Shifting the test key into the recess (4) will unlock the retaining collar (5). Therefore the glass plate (1) shifts downwards and the knob of the microswitch (2) releases an alarm. The indicating LED (3) starts flashing.

7. Installation notes

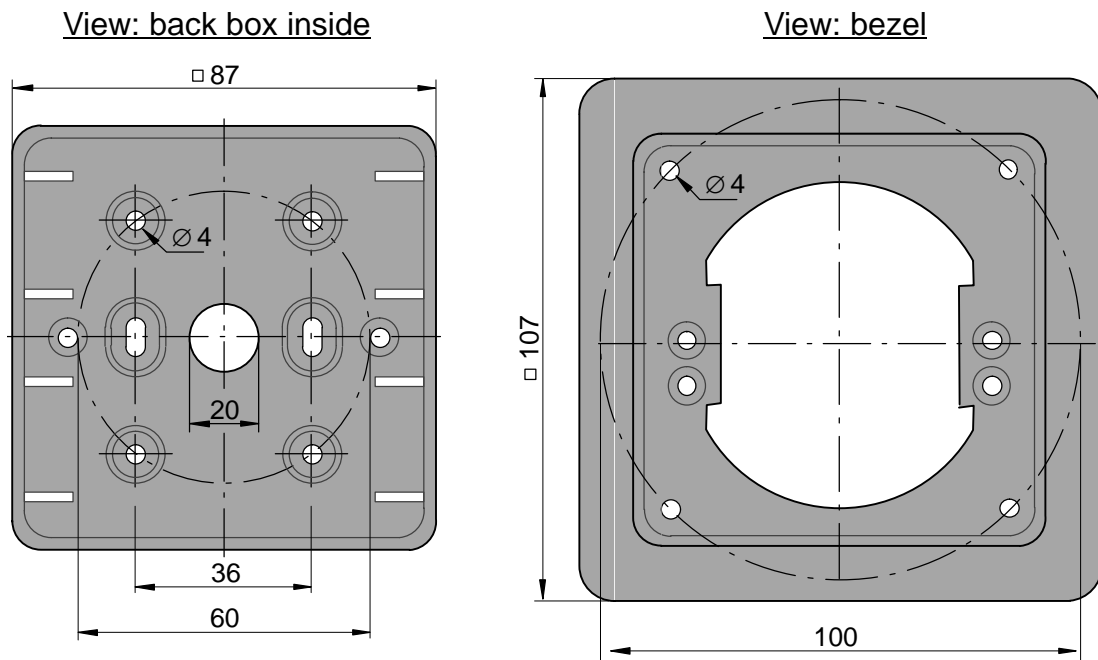
Flush call point

The flush call point comes complete with a bezel and will mount onto any standard U.K. single gang back box with a depth of min. 25mm or directly to a wall. Consideration should be given to the amount of cabling space at the rear of the call point, i.e. a deeper box or spacer eases installation.

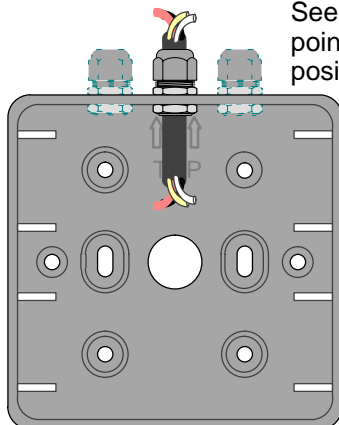
Surface call point

The surface mounting call point comes complete with a back box onto which the call point is mounted. There is provision for rear cable entry. By using the template at the leaflet, cable holes can be drilled into the top or bottom of the back box to accept one or two cable glands - Max. dia. 20mm.

7.1. Fixing details for the indoor versions (IP54)

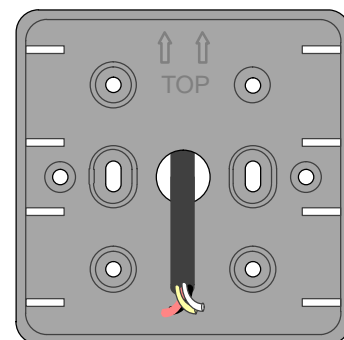


Cable feed over plaster,
via cable glands



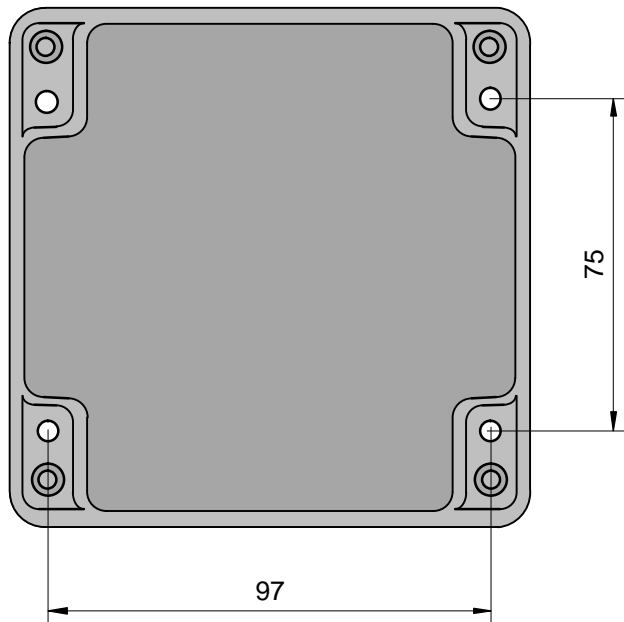
See template at the call point leaflet for the hole positions of cable glands.

Cable feed under plaster for
detector mounting with back
box and rear cable entry

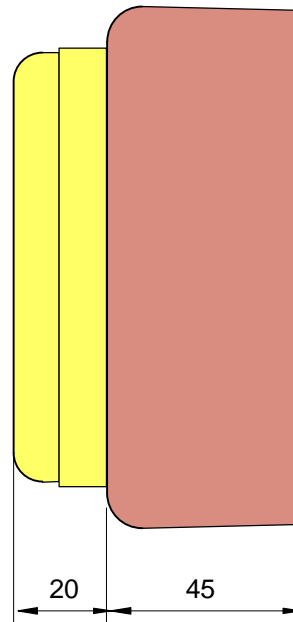


7.2. Fixing details for the outdoor version (IP67)

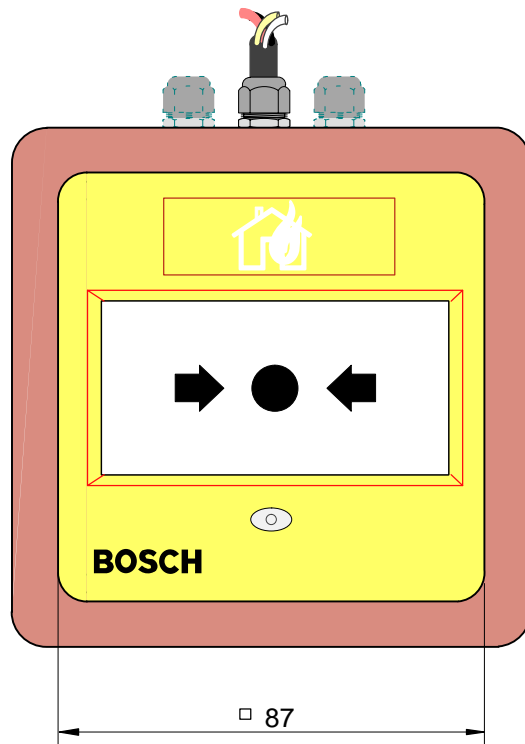
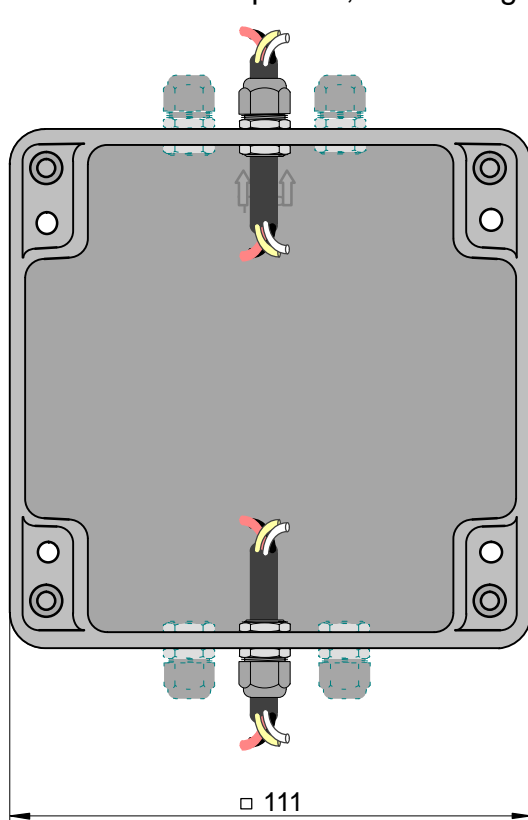
View: back box inside



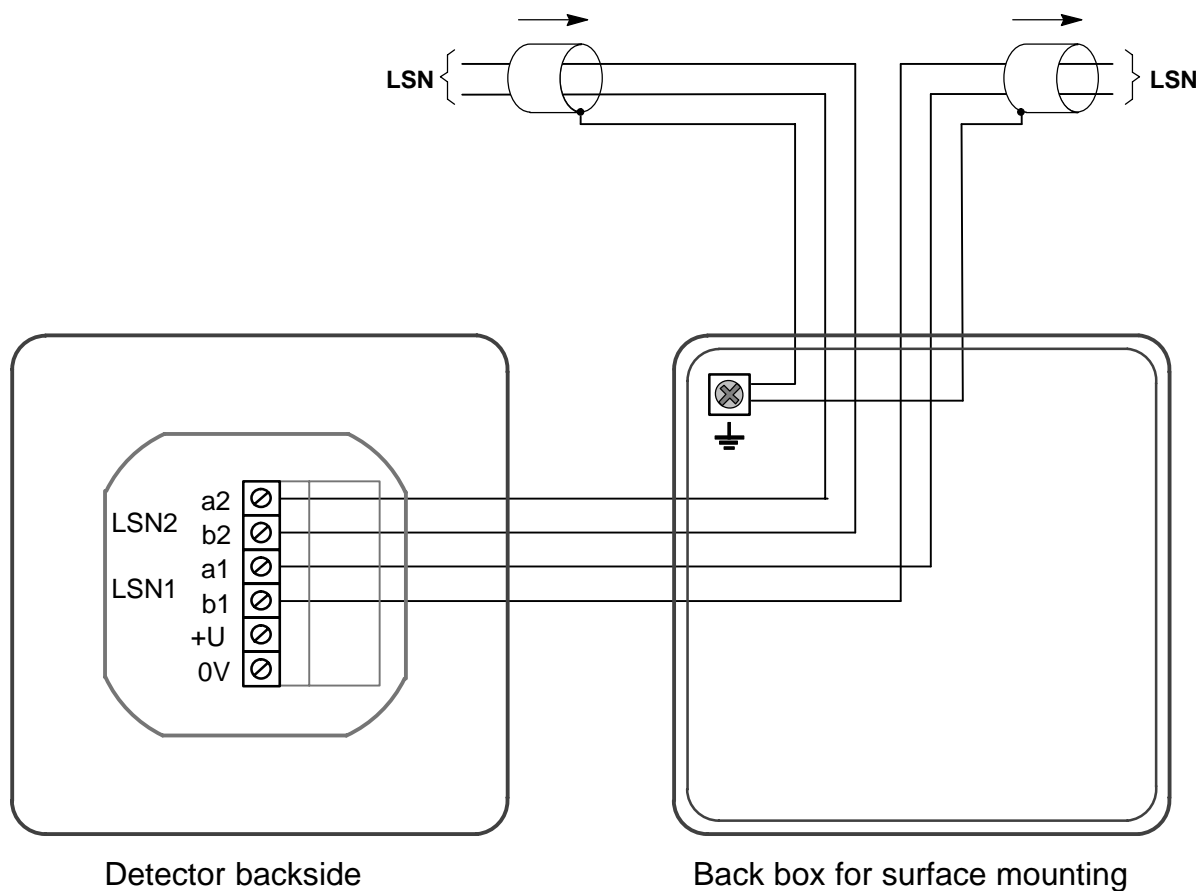
View: back box with mounted call point



Cable feed over plaster, via cable glands



7.3. Connection



Connecting terminals			
+U	rt		power supply for other LSN-Elements i.e. LSN-Couplers
0V	sw		
LSN2	a2	ws	coming from the fire panel or an upstream LSN-Element
	b2	ge	
LSN1	a1	ws	going to the next LSN-Element
	b1	ge	

8. Notes for Maintenance and Service

Maintenance and service works should be undertaken regularly by skilled and trained personnel in accordance with the national legislative requirements.

Faulty detectors under the warranty terms will be replaced free of charge.

8.1. Further Documentation

Order number	DU*	Designation
3.002.218.156	ST	Connection manual AHB BMZ / EMZ
3.002.218.155	ST	Connection manual AHB UGM

*DU = delivery unit, ST = piece



For those with access authorization, on the Bosch ST ExtraNet at www.boschsecurity.com/emea/fire the current information for each product, as well as the installation instructions supplied with the device, are available for download as a PDF file.

8.2. Disposal

Defective manual call points will be completely replaced and should be disposed according to the legal requirements.

9. Technical data

Voltage rating (LSN): 10V DC . . . 31V DC

Current consumption (LSN): 0.4mA

IP Rating (as per EN 60529): IP 54 (indoor versions)
IP 67 (outdoor version)

Environmental temperature: -25°C . . . +65°C

Environmental class (VdS): III

Dimensions (H x B x T): Indoor Versions
87 x 87 x 53mm (surface mounting)
87 x 87 x 20mm (flush mounting)
107 x 107 x 36mm (flush mounting with bezel)
Outdoor Version
111 x 111 x 65mm (surface mounting)

Housing material: Plastic, ABS

Colour: Red (RAL 3001)

Weight: approx. 150g

LPC-Approval number: 378c



BOSCH

10. Abbreviations

- AHB = **A**nschalte**h**and**b**uch / *Connection manual*
- BMZ = **B**randmelde**z**entrale / *Fire panel*
- BM = **B**rand**m**elder / *Fire detector*
- DIN = **D**eutsches **I**nstitut f. **N**ormung / *German institute for standardization*
- EMZ = **E**inbruchmelde**z**entrale / *Intrusion panel*
- EN = **E**uropa **N**orm / *European standard*
- GMZ = **G**efahrenmelde**a**n**l**age / *Security system*
- KI = **K**undendienst **I**nformation / *Maintenance information*
- LED = **L**ight **e**mittend **d**iode
- LPC = **L**oss **p**revention **c**ouncil
- LSN = **L**ocal **S**ecurity **N**etwork
- SM = **S**pringknopf**m**elder / *Manual call point*
- UGM = **U**niverselle **G**efahrenmelde**z**entrale (*Universal security system panel*)
- VDE = **V**erband **D**eutscher **E**lektrotechniker e.V. / *Association of German Electrotechnicians*



Bosch Security Systems
Robert-Koch-Str. 100
D-85521 Ottobrunn

Info-Service

Telephone: +49 89 6290 - 1039

Fax: +49 89 6290 - 1039

www.boschsecurity.com

info.service@de.bosch.com

Free Manuals Download Website

<http://myh66.com>

<http://usermanuals.us>

<http://www.somanuals.com>

<http://www.4manuals.cc>

<http://www.manual-lib.com>

<http://www.404manual.com>

<http://www.luxmanual.com>

<http://aubethermostatmanual.com>

Golf course search by state

<http://golfingnear.com>

Email search by domain

<http://emailbydomain.com>

Auto manuals search

<http://auto.somanuals.com>

TV manuals search

<http://tv.somanuals.com>