

# Outdoor Dome Cameras

[www.boschsecurity.com](http://www.boschsecurity.com)



**BOSCH**

Invented for life



Advantage Line

The VDX-240 Outdoor Dome range comes in robust, conduit compatible, all-weather housings (IP66 rated) and provides high-resolution images (570TVL Sensor Resolution).

The color version provides crisp, clear images in applications with sufficient lighting. The day/night version switches to monochrome mode with a higher light sensitivity when there is insufficient lighting. For applications requiring extra lighting, the infrared version has 20 on-board IR LEDs providing 20 meters of night vision.

## Features

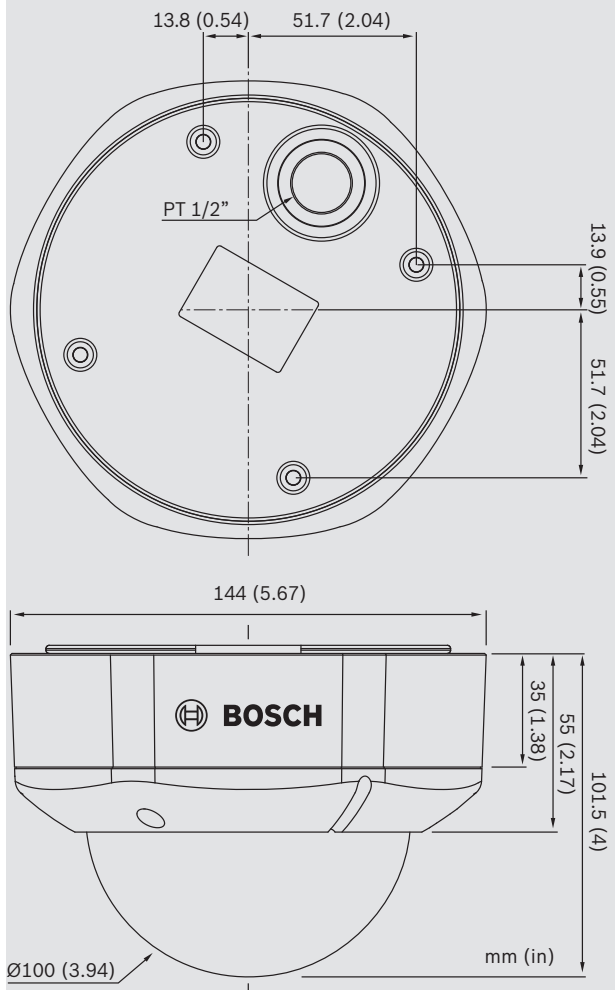
- ▶ Excellent resolution (570 TVL sensor resolution)
- ▶ Three versions for all lighting environments
- ▶ Flexible viewing field
- ▶ Easy setup
- ▶ Secure all-weather installation

## 2 | Outdoor Dome Cameras

### Technical specifications

| Video                        |   |
|------------------------------|---|
| CCD Camera                   | 1/3-inch High Sensitivity CCD   |
| Effective pixels (HxV)       | 752X582 (PAL)<br>768x494 (NTSC)   |
| Horizontal Resolution        | 570 TVL Sensor Resolution   |
| Electronics Iris             | 1/50 to 1/120,000 s (PAL)<br>1/60 to 1/120,000 s (NTSC)   |
| Manual shutter               | 1/50 (1/60), 1/100 (1/120), 1/250, 1/500,<br>1/700, 1/1K, 1/1.6k, 1/2.5K, 1/5K, 1/7K<br>1/10K, 1/30K, 1/60K, 1/120K |
| Output Signal                | 1 VPP composite video, 75 ohm   |
| Output connection            | BNC connector   |
| S/N Ratio                    | Greater than 50 dB  |
| Gamma                        | 0.35, 0.45 (default), 0.6, 0.75   |
| Lens (VDC-240)               | 2.8 to 10.5 mm varifocal auto-iris  |
| Lens (VDN-240)               | 2.8 to 10.5 mm varifocal auto-iris with mechanical D/N filter   |
| Lens (VDI-240)               | 3.8 to 9.5 mm varifocal auto-iris with mechanical D/N filter  |
| Sensitivity                  | 0.05 lx (color),<br>0.005 lx (b/w),<br>0 lx (infrared on)   |
| VDI-240                      |   |
| LEDs                         | Intelligent 20-LED infrared array   |
| Wavelength                   | 850 nm  |
| Mechanical                   |   |
| Housing                      | Surface mount dome, vandal resistant  |
| Gimbals                      | 3D gimbal for easy installation   |
| Construction                 | Robust aluminum   |
| Finish                       | Off-white   |
| Conduit Compatible           | 1/2-inch PT, top and side   |
| Electrical                   |   |
| Power Consumption            | VDC-240: 3.6 W max.<br>VDN-240: 3.6 W max.<br>VDI-240: 6 W max.   |
| Voltage                      | 12 VDC or 24 VAC  |
| Power Supply                 | Not included  |
| Environmental                |   |
| Operational Temp.            | -10 °C to +50 °C<br>(14 °F to +122 °F)  |
| Storage Temp.                | -20 °C to +60 °C<br>(-4 °F to +140 °F)  |
| Environment                  | IP66 certified  |
| Certifications and approvals |   |
| Region                       | Certification   |
| Europe                       | CE  |
| Standards                    |   |
|                              | ANSI C63.4: 2009  |
|                              | FCC Part 15 subpart B, Class A  |
|                              | UL 60065, 7th Edition, 2007-12-11   |
|                              | CAN/CSA-C22.2 No. 60065-03, 1st Edition,<br>2006-04 + A1:2006   |
|                              | EN55022:2006, Class A   |
|                              | EN50130-4:1995+A1:1998+A2:2003  |
|                              | LVD 2006/95/EC  |
|                              | EN60065:2002 + A1:2006 + A11:2008   |
|                              | IP66, IEC 60529 (2001), IEC 60529 (2002)  |

### Installation/configuration notes



### Ordering information

|   |              |
|---|--------------|
| VDC-240V03-1 Outdoor Color Dome Camera, PAL   | VDC-240V03-1 |
| VDC-240V03-2 Outdoor Color Dome Camera, NTSC  | VDC-240V03-2 |
| VDN-240V03-1 Outdoor D/N Dome Camera, PAL     | VDN-240V03-1 |
| VDN-240V03-2 Outdoor D/N Dome Camera, NTSC    | VDN-240V03-2 |
| VDI-240V03-1 Outdoor IR D/N Dome Camera, PAL  | VDI-240V03-1 |
| VDI-240V03-2 Outdoor IR D/N Dome Camera, NTSC | VDI-240V03-2 |

**Represented by:****Americas:**

Bosch Security Systems, Inc.  
130 Perinton Parkway  
Fairport, New York, 14450, USA  
Phone: +1 800 289 0096  
Fax: +1 585 223 9180  
security.sales@us.bosch.com  
www.boschsecurity.us

**Europe, Middle East, Africa:**

Bosch Security Systems B.V.  
P.O. Box 80002  
5617 BA Eindhoven, The Netherlands  
Phone: +31 40 2577 284  
Fax: +31 40 2577 330  
emea.securitysystems@bosch.com  
www.boschsecurity.com

**Asia-Pacific:**

Robert Bosch (SEA) Pte Ltd, Security Systems  
11 Bishan Street 21  
Singapore 573943  
Phone: +65 6571 2808  
Fax: +65 6571 2699  
apr.securitysystems@bosch.com  
www.boschsecurity.asia

**China:**

Bosch (Shanghai) Security Systems Ltd.  
201 Building, No. 333 Fuquan Road  
North IBP  
Changning District, Shanghai  
200335 China  
Phone +86 21 22181111  
Fax: +86 21 22182398  
www.boschsecurity.com.cn

**America Latina:**

Robert Bosch Ltda Security Systems Division  
Via Anhanguera, Km 98  
CEP 13065-900  
Campinas, Sao Paulo, Brazil  
Phone: +55 19 2103 2860  
Fax: +55 19 2103 2862  
al.securitysystems@bosch.com  
www.boschsecurity.com

## Free Manuals Download Website

<http://myh66.com>

<http://usermanuals.us>

<http://www.somanuals.com>

<http://www.4manuals.cc>

<http://www.manual-lib.com>

<http://www.404manual.com>

<http://www.luxmanual.com>

<http://aubethermostatmanual.com>

Golf course search by state

<http://golfingnear.com>

Email search by domain

<http://emailbydomain.com>

Auto manuals search

<http://auto.somanuals.com>

TV manuals search

<http://tv.somanuals.com>