

# LTC 0610 Series DinionXF Color Cameras

www.boschsecurity.com



**BOSCH**  
Invented for life



- ▶ 15-bit DSP technology
- ▶ XF-Dynamic
- ▶ Bilinx communication
- ▶ NightSense
- ▶ Default shutter

The LTC 0610 Series of High Performance 1/2-inch Digital CCD Color Cameras create the best possible image, even under the most difficult light and scene conditions. Based on unique 15-bit digital video processing technology and employing XF-Dynamic, these cameras provide the ultimate sensitivity with extended dynamic range. By employing the best 1/2-inch CCD available, advanced front end processing, combined with the outstanding Dinion DSP, the cameras achieve an astonishing sensitivity, providing better color images in low light situations and sharper daytime images.

Intelligent White balance algorithms, supported by a White Balance Hold function and even full manual white balance, ensure the most accurate color reproduction possible. All Dinion cameras are supplied ready to operate. Simply attach and focus the lens, and connect power to provide optimal pictures under virtually all scene conditions. No tools are required for back focus and power connection.

For extra challenging situations where fine tuning or special settings are required, the camera parameters can be individually set using the control buttons on the side of the camera and On-screen Display (OSD). Also, to aid installation, the camera automatically detects the lens type, and using the Lens Wizard ensures accurate (back) focusing for perfectly sharp pictures at all times.

## Functions

### XF-Dynamic

Extended dynamic range is brought to a new level on the LTC 0610 Series Camera by XF-Dynamic technology. XF-Dynamic automatically processes the highly accurate 15-bit digital signal to optimally capture the detail in both the highlight and lowlight areas of the scene simultaneously, to maximize the information visible in the picture.

### Bilinx Technology

The LTC 0610 Series cameras incorporate Bilinx. Bilinx is a bidirectional communication capability embedded in the video signal of all Bosch Dinion cameras. With Bilinx technicians can check status, change camera settings and even update firmware from virtually anywhere along the video cable. Bilinx reduces service and installation time, provides for more accurate setup and adjustment, and improves overall performance. In addition, Bilinx uses the standard video cable to transmit alarm and status messages, providing superior performance without additional installation steps.

### Video Motion Detection

The built-in video motion detector allows you to select up to four fully programmable areas with individual thresholds. The global scene change detector

minimizes false alarms caused by sudden lighting condition changes, such as switching on or off the indoor or security lighting. When motion is detected alarms may be displayed in the video signal, the output relay can be closed in addition to alarm message transmission on Bilinx.

**Auto Black**

The automatic black level feature, enhances contrast by removing veiling glare from the picture or when contrast is reduced by fog or mist.

**Default Shutter**

When viewing moving objects a fast shutter speed is required. When using a fast shutter speed the lens opening or gain control needs to be increased to maintain the video signal. The camera sensitivity is limited by the fast shutter speed. The default shutter setting of the LTC 0610 offers the best of all worlds, fast shutter speed as long as there is sufficient light, however as the light level falls, when other adjustments have been exhausted, the shutter reverts to the standard setting maintaining the cameras excellent sensitivity.

**Back Light Compensation (BLC)**

Offering a fully programmable BLC area of interest, and a variable BLC level, the camera can be easily set up for even the most challenging entrance applications.

**Lens Wizard**

The LTC 0610 Series automatically detects the type of lens installed. The Lens Wizard will focus the lens at the maximum lens opening, to ensure that focus is maintained throughout the entire 24-hour day/night cycle. No special tools or filters are required.

**Programmable Modes**

The camera supports three independent operating modes. The 3 modes are preprogrammed for typical applications, but are fully programmable for individual situations. Switching between modes is easy via Bilinx or the external alarm input.

**NightSense**

The LTC 0610 cameras feature NightSense. With NightSense the sensitivity is increased by 9 dB in monochrome mode. NightSense can be automatically activated in low light situations, or remotely using Bilinx.

**SensUp**

By increasing the integration time on the CCD up to 10 times, the effective sensitivity is dramatically enhanced, especially useful where there is no artificial lighting and you rely on the moon, stars and scattered radiation.

**Certifications and approvals**

**Electro Magnetic Compatibility**

Emission EN55022 class B, FCC class B part 15

Immunity EN50130-4 Alarm Systems, Part 4

Vibration Camera with 500 gr (1.1 lbs) lens according to IEC60068-2-27

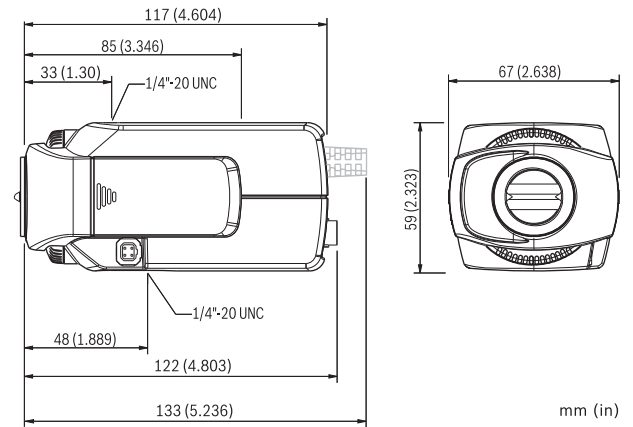
**Safety**

LTC 0610/11 and LTC 0610/51: EN60065

LTC 0610/21 and LTC 0610/61: UL6500, cUL CAN/CSA E60065-00

Region	Certification	
Europe	CE	
		Declaration of Conformity
USA	FCC	Declaration of Conformity

**Installation/configuration notes**



Dimensions in mm (inches)

**Parts included**

Quantity	Components
1	LTC 0610 Series Dinion <sup>XF</sup> Color Camera
1	Spare male 4-pin lens connector
	Lens not included

**Technical specifications**

**Electrical**

Model No.	RatedVoltage	
LTC 0610/11	12-28 VAC	45-65 Hz
	11-39 VDC	
LTC 0610/21	12-28 VAC	45-65 Hz
	11-39 VDC	

LTC 0610/51	85–265 VAC	45–65 Hz
LTC 0610/61	85–265 VAC	45–65 Hz
Power Consumption	4 W	
Imager	Interline CCD type, ½-in. image format	
<b>Active Pixels</b>		
PAL Models	752 H x 582 V	
NTSC Models	768 H x 492 V	
<b>Sensitivity (3200 k)</b>		
Sensitivity (full video) <sup>1)</sup>	1.4 lx (0.14 fc)	
Sensitivity 50 IRE <sup>1)</sup>	0.35 lux / 0.14 lux (NightSense) (0.035 fc / 0.014 fc (NightSense))	
Minimum Illumination <sup>1)</sup>	0.18 lux / 0.08 lux (NightSense) (0.018 fc / 0.008 fc (NightSense))	
Minimum Illumination with SensUp	0.018 lux / 0.008 lux (NightSense) (0.0018 fc / 0.0008 fc (NightSense))	
Horizontal Resolution	540 TVL	
Signal-to-Noise-Ratio	> 50dB	
Video Output	1Vpp, 75 Ohm	
Y/C Output	Y: 1 Vpp / C: 0.3 Vpp	
Synchronization	Internal, Line Lock, HV-lock and Genlock (Burst lock) selectable	
Shutter	Auto (1/60 (1/50) to 1/500000), fixed, flickerless, default	
Night Sense	Auto, forced, off	
Sensitivity up	Off, automatic continuous up to 10x	
Auto Black	On, off selectable	
Dynamic Range	32x dynamic range enhancement	
Dynamic Noise Reduction	Auto, off selectable	
Contour	Sharpness enhancement level selectable	
BLC	Off, area and level selectable	
Gain	Auto (maximum level selectable to 28 dB) or fixed level selectable	
Lens Mount	C and CS	
White Balance	ATW (2500–10000 K), AWB hold, manual WB selectable	
VMD	4 area, sensitivity selectable	
Alarm Output	VMD or Bilinx	

Alarm Input (TTL)	Profile switching, +5 V nominal, +40 VDC max.
Alarm Output Relay	Max. 30 VAC or +40 VDC, max. 0.5 A continuous, 10 VA
External Synchronal Input	75 Ohm or High Impedance selectable
Cable Compensation	Up to 1000 m (3000 ft) coax without external amplifiers (automatic setup in combination with coaxial communication)
Camera ID	16 character editable string, position selectable
Lens Types	Manual, DC- and Video-iris auto-detect with override DC-iris drive: max 50mA continuous
	Video-iris: 11.5 ± 0.5 VDC, max. 50 mA continuous
Remote Control	Bi-directional coaxial communication

1) F/1.2, 89% reflection, SensUp off

### Mechanical

Dimensions (H x W x L)	59 x 67 x 122 mm (2.28 x 2.6 x 4.8 in.) without lens
Weight	450 g (0.99 lbs) without lens
Tripod Mount	Bottom (isolated) and top 1/4-inch 20 UNC
Controls	OSD with softkey operation

### Environmental

Operating Temperature	-20 °C to +50 °C (-4 °F to +122 °F)
Storage Temperature	-25 °C to +70 °C (-13 °F to +158 °F)
Operating Humidity	20% to 93% Relative humidity
Storage Humidity	up to 98% Relative humidity

### Ordering information

#### LTC 0610/11 DinionXF Color Camera

1/2-inch, high performance, 540 TVL, PAL, DSP, 12 – 28 VAC/11 – 39 VDC, 50 Hz  
Order number **LTC0610/11**

#### LTC 0610/21 DinionXF Color Camera

1/2-inch, high performance, 540 TVL, NTSC, DSP, 12 – 28 VAC/11 – 39 VDC, 60 Hz  
Order number **LTC0610/21**

#### LTC 0610/51 DinionXF Color Camera

1/2-inch, high performance, 540 TVL, PAL, DSP, 85 – 265 VAC, 50 Hz  
Order number **LTC0610/51**

#### LTC 0610/61 DinionXF Color Camera

1/2-inch, high performance, 540 TVL, NTSC, DSP, 85 – 265 VAC, 60 Hz  
Order number **LTC0610/61**

**LTC 3264/30 Varifocal Lens**

1/2-inch, 4.5 – 10 mm, DC-iris, CS-mount F1.6-360, 4-pin  
Order number **LTC3264/30**

---

**LTC 3283/20 Zoom Lens**

1/2-inch, 8.0 – 48 mm, Video-iris, CS-mount F1.4-360, 4-pin  
Order number **LTC3283/20**

---

**TC120PS Power Supply Unit**

110-120 VAC/15 VDC, 50/60 Hz, 300 mA  
Order number **TC120PS**

---

**TC220PS Power Supply Unit**

230 VAC/12 VDC, 50 Hz, 10 VA  
Order number **TC220PS**

---

**TC220PSX-24 Power Supply Unit**

230 VAC/20 VAC, 50 Hz, 20 VA  
Order number **TC220PSX-24**

---

**TC1334 Power Supply Unit**

120 VAC/24 VAC, 60 Hz, 30 VA  
Order number **TC1334**

---

**Accessories**

**LTC 3274/41 Varifocal Lens**

1/2-inch, 7.5 – 75 mm, DC-iris, C-mount, F1.7-360, 4-pin  
Order number **LTC3274/41**

---

**Software Options**

**VP-CFGSFT Configuration Software**

for cameras using Bilinx, includes VP-USB Adaptor  
Order number **VP-CFGSFT**

---

**Represented by:**

**Americas:**

Bosch Security Systems, Inc.  
130 Perinton Parkway  
Fairport, New York, 14450, USA  
Phone: +1 800 289 0096  
Fax: +1 585 223 9180  
security.sales@us.bosch.com  
www.boschsecurity.us

**Europe, Middle East, Africa:**

Bosch Security Systems B.V.  
P.O. Box 80002  
5617 BA Eindhoven, The Netherlands  
Phone: + 31 40 2577 284  
Fax: +31 40 2577 330  
emea.securitysystems@bosch.com  
www.boschsecurity.com

**Asia-Pacific:**

Robert Bosch (SEA) Pte Ltd, Security Systems  
11 Bishan Street 21  
Singapore 573943  
Phone: +65 6571 2808  
Fax: +65 6571 2699  
apr.securitysystems@bosch.com  
www.boschsecurity.asia

**China:**

Bosch (Shanghai) Security Systems Ltd.  
201 Building, No. 333 Fuquan Road  
North IBP  
Changning District, Shanghai  
200335 China  
Phone +86 21 22181111  
Fax: +86 21 22182398  
www.boschsecurity.com.cn

**America Latina:**

Robert Bosch Ltda Security Systems Division  
Via Anhanguera, Km 98  
CEP 13065-900  
Campinas, Sao Paulo, Brazil  
Phone: +55 19 2103 2860  
Fax: +55 19 2103 2862  
al.securitysystems@bosch.com  
www.boschsecurity.com

## Free Manuals Download Website

<http://myh66.com>

<http://usermanuals.us>

<http://www.somanuals.com>

<http://www.4manuals.cc>

<http://www.manual-lib.com>

<http://www.404manual.com>

<http://www.luxmanual.com>

<http://aubethermostatmanual.com>

Golf course search by state

<http://golfingnear.com>

Email search by domain

<http://emailbydomain.com>

Auto manuals search

<http://auto.somanuals.com>

TV manuals search

<http://tv.somanuals.com>