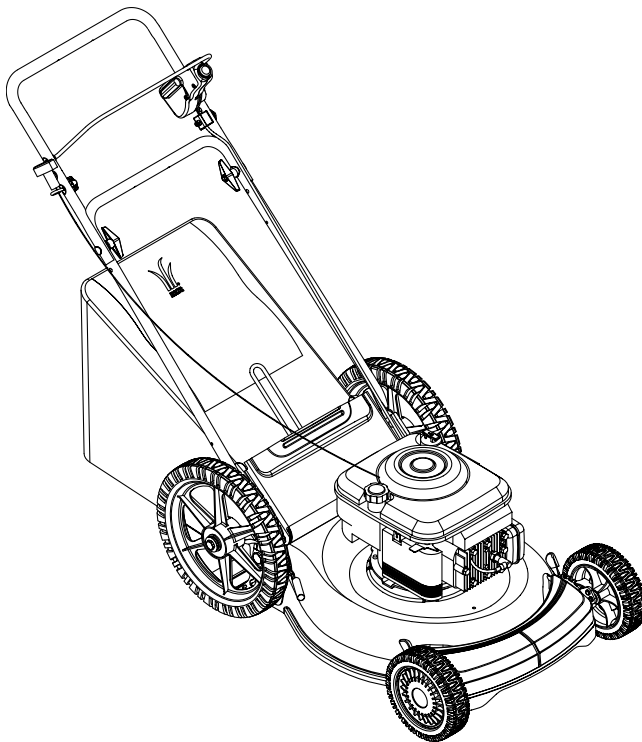




# Operator's Manual



## 21" Self Starter High-Wheel Rotary Mower

Model 589

### **IMPORTANT: READ SAFETY RULES AND INSTRUCTIONS CAREFULLY**

**Warning:** This unit is equipped with an internal combustion engine and should not be used on or near any unimproved forest-covered, brush-covered or grass-covered land unless the engine's exhaust system is equipped with a spark arrester meeting applicable local or state laws (if any). If a spark arrester is used, it should be maintained in effective working order by the operator. In the State of California the above is required by law (Section 4442 of the California Public Resources Code). Other states may have similar laws. Federal laws apply on federal lands. A spark arrester for the muffler is available through your nearest engine authorized service dealer or contact the service department, P.O. Box 361131 Cleveland, Ohio 44136-0019.

**MTD LLC, P.O. BOX 361131 CLEVELAND, OHIO 44136-0019**

PRINTED IN U.S.A.

FORM NO. 769-00004A  
(10/2002)

## TABLE OF CONTENTS

Content	Page
Important Safe Operation Practices.....	3
Slope Gauge.....	6
Assembling Your Lawn Mower.....	7
Know Your Lawn Mower .....	9
Operating Your Lawn Mower .....	10
Making Adjustments .....	12
Maintaining Your Lawn Mower.....	13
Off Season Storage .....	14
Troubleshooting.....	15
Parts List.....	16


## FINDING MODEL NUMBER

This Operator's Manual is an important part of your new lawn mower. It will help you assemble, prepare and maintain the unit for best performance. Please read and understand what it says.



**Before you start assembling your new equipment**, please locate the model plate on the equipment and copy the information from it in the space provided below. The information on the model plate is very important if you need help from our Customer Support Department or an authorized dealer.

- You can locate the model number by looking down at the rear of the deck. A sample model plate is explained below. For future reference, please copy the model number and the serial number of the equipment in the space below.

_____	_____
(Model Number)	(Serial Number)
	
www.yardman.com	
MTD, LLC P. O. BOX 361131 CLEVELAND, OH 44136 330-220-4683 800-800-7310	

Copy the model number here: \_\_\_\_\_

Copy the serial number here: \_\_\_\_\_

## ENGINE INFORMATION

The engine manufacturer is responsible for all engine-related issues with regards to performance, power-rating, specifications, warranty and service. Please refer to the engine manufacturer's Owner's/Operator's Manual packed separately with your unit for more information.

## CALLING CUSTOMER SUPPORT

If you have difficulty assembling this product or have any questions regarding the controls, operation or maintenance of this unit, please call the Customer Support Department.



Call **1- (330) 220-4MTD (4683)** or **1- (800)-800-7310** to reach a Customer Support representative. Please have your unit's model number and serial number ready when you call. See previous section to locate this information. You will be asked to enter the serial number in order to process your call.

**For more details about your unit, visit our website at [www.yardman.com](http://www.yardman.com)**

# SECTION 1: IMPORTANT SAFE OPERATION PRACTICES



**WARNING:** This symbol points out important safety instructions which, if not followed, could endanger the personal safety and/or property of yourself and others. Read and follow all instructions in this manual before attempting to operate this machine. Failure to comply with these instructions may result in personal injury. When you see this symbol—HEED ITS WARNING.



**WARNING:** The Engine Exhaust from this product contains chemicals known to the State of California to cause cancer, birth defects or other reproductive harm.



**DANGER:** This machine was built to be operated according to the rules for safe operation in this manual. As with any type of power equipment, carelessness or error on the part of the operator can result in serious injury. This machine is capable of amputating hands and feet and throwing objects. Failure to observe the following safety instructions could result in serious injury or death.

## General Operation

1. Read this operator's manual carefully in its entirety before attempting to assemble this machine. Read, understand, and follow all instructions on the machine and in the manual(s) before operation. Be completely familiar with the controls and the proper use of this machine before operating it. Keep this manual in a safe place for future and regular reference and for ordering replacement parts.
2. This machine is a precision piece of power equipment, not a plaything. Therefore, exercise extreme caution at all times. Your unit has been designed to perform one job: to mow grass. Do not use it for any other purpose.
3. Never allow children under 14 years old to operate this machine. Children 14 years old and over should read and understand the operation instructions and safety rules in this manual and should be trained and supervised by a parent. Only responsible individuals who are familiar with these rules of safe operation should be allowed to use this machine.
4. Thoroughly inspect the area where the equipment is to be used. Remove all stones, sticks, wire, bones, toys and other foreign objects which could be tripped over or picked up and thrown by the blade. Thrown objects can cause serious personal injury. Plan your mowing pattern to avoid discharge of material toward roads, sidewalks, bystanders and the like. Also, avoid discharging material against a wall or obstruction which may cause discharged material to ricochet back toward the operator.
5. To help avoid blade contact or a thrown object injury, stay in the operator zone behind the handles and keep children, bystanders, helpers and pets at least 75 feet from the mower while it is in operation. Stop machine if anyone enters the area.
6. Always wear safety glasses or safety goggles during operation and while performing an adjustment or repair to protect your eyes. Thrown objects which ricochet can cause serious injury to the eyes.
7. Wear sturdy, rough-soled work shoes and close-fitting slacks and shirts. Shirts and pants that cover the arms and legs and steel-toed shoes are recommended. Never operate this machine in bare feet, sandals, slippery or light weight (e.g. canvas) shoes.
8. Do not put hands or feet near rotating parts or under the cutting deck. Contact with the blade can amputate hands and feet.
9. A missing or damaged discharge cover can cause blade contact or thrown object injuries.
10. Many injuries occur as a result of the mower being pulled over the foot during a fall caused by slipping or tripping. Do not hold on to the mower if you are falling; release the handle immediately.
11. Never pull the mower back toward you while you are walking. If you must back the mower away from a wall or obstruction first look down and behind to avoid tripping and then follow these steps:
  - a. Step back from the mower to fully extend your arms.
  - b. Be sure you are well balanced with sure footing.
  - c. Pull the mower back slowly, no more than half way toward you.
  - d. Repeat these steps as needed.
12. Do not operate the mower while under the influence of alcohol or drugs.
13. Do not engage the self-propelled mechanism on units so equipped while starting engine.
14. The blade control handle is a safety device. Never attempt to bypass its operation. Doing so makes the safety device inoperative and may result in personal injury through contact with the rotating blade. The blade control handle must operate easily in both directions and automatically return to the disengaged position when released.
15. Never operate the mower in wet grass. Always be sure of your footing. A slip and fall can cause serious personal injury. If you feel you are losing your footing, release the blade control handle immediately and the blade will stop rotating within three seconds.
16. Mow only in daylight or in good artificial light. Walk, never run.
17. Stop the blade when crossing gravel drives, walks or roads.
18. If the equipment should start to vibrate abnormally, stop the engine and check immediately for the cause. Vibration is generally a warning of trouble.
19. Shut the engine off and wait until the blade comes to a complete stop before removing the grass catcher or unclogging the chute. The cutting blade continues to rotate for a few seconds after the engine is shut off. Never place any part of the body in the blade area until you are sure the blade has stopped rotating.

20. Never operate mower without proper trail shield, discharge cover, grass catcher, blade control handle or other safety protective devices in place and working. Never operate mower with damaged safety devices. Failure to do so, can result in personal injury.
21. Muffler and engine become hot and can cause a burn. Do not touch.
22. Only use parts and accessories made for this machine by the manufacturer. Failure to do so, can result in personal injury.
23. If situations occur which are not covered in this manual, use care and good judgment. Contact your dealer for assistance. Telephone 1-800-800-7310 for the name of your nearest dealer.

## Slope Operation

Slopes are a major factor related to slip and fall accidents which can result in severe injury. Operation on slopes requires extra caution. If you feel uneasy on a slope, do not mow it. For your safety, use the slope gauge included as part of this manual to measure slopes before operating this unit on a sloped or hilly area. If the slope is greater than 15 degrees, do not mow it.

### Do:

1. Mow across the face of slopes; never up and down. Exercise extreme caution when changing direction on slopes.
2. Watch for holes, ruts, rocks, hidden objects, or bumps which can cause you to slip or trip. Tall grass can hide obstacles.
3. Always be sure of your footing. A slip and fall can cause serious personal injury. If you feel you are losing your balance, release the blade control handle immediately, and the blade will stop rotating within 3 seconds.

### Do Not:

1. Do not mow near drop-offs, ditches or embankments, you could lose your footing or balance.
2. Do not mow slopes greater than 15 degrees as shown on the slope gauge.
3. Do not mow on wet grass. Unstable footing could cause slipping.

## Children

Tragic accidents can occur if the operator is not alert to the presence of children. Children are often attracted to the mower and the mowing activity. They do not understand the dangers. Never assume that children will remain where you last saw them.

1. Keep children out of the mowing area and under the watchful care of a responsible adult other than the operator.
2. Be alert and turn mower off if a child enters the area.
3. Before and while moving backwards, look behind and down for small children.
4. Use extreme care when approaching blind corners, doorways, shrubs, trees, or other objects that may obscure your vision of a child who may run into the mower.
5. Keep children away from hot or running engines. They can suffer burns from a hot muffler.

6. Never allow children under 14 years old to operate a power mower. Children 14 years old and over should read and understand the operation instructions and safety rules in this manual and should be trained and supervised by a parent.

## Service

### Safe Handling Of Gasoline:

1. To avoid personal injury or property damage use extreme care in handling gasoline. Gasoline is extremely flammable and the vapors are explosive. Serious personal injury can occur when gasoline is spilled on yourself or your clothes which can ignite.
2. Wash your skin and change clothes immediately.
3. Use only an approved gasoline container.
4. Never fill containers inside a vehicle or on a truck or trailer bed with a plastic liner. Always place containers on the ground away from your vehicle before filling.
5. When practical, remove gas-powered equipment from the truck or trailer and refuel it on the ground. If this is not possible, then refuel such equipment on a trailer with a portable container, rather than from a gasoline dispenser nozzle.
6. Keep the nozzle in contact with the rim of the fuel tank or container opening at all times until fueling is complete. Do not use a nozzle lock-open device.
7. Extinguish all cigarettes, cigars, pipes and other sources of ignition.
8. Never fuel machine indoors because flammable vapors will accumulate in the area.
9. Never remove gas cap or add fuel while the engine is hot or running. Allow engine to cool at least two minutes before refueling.
10. Never over fill fuel tank. Fill tank to no more than ½ inch below bottom of filler neck to provide space for fuel expansion.
11. Replace gasoline cap and tighten securely.
12. If gasoline is spilled, wipe it off the engine and equipment. Move unit to another area. Wait 5 minutes before starting the engine.
13. Never store the machine or fuel container inside where there is an open flame, spark or pilot light as on a water heater, space heater, furnace, clothes dryer or other gas appliances.
14. To reduce fire hazard, keep mower free of grass, leaves, or other debris build-up. Clean up oil or fuel spillage and remove any fuel soaked debris.
15. Allow a mower to cool at least 5 minutes before storing.

### General Service:

1. Never run an engine indoors or in a poorly ventilated area. Engine exhaust contains carbon monoxide, an odorless and deadly gas.
2. Before cleaning, repairing, or inspecting, make certain the blade and all moving parts have stopped. Disconnect the spark plug wire and ground against the engine to prevent unintended starting.
3. Check the blade and engine mounting bolts at frequent intervals for proper tightness. Also, visually inspect blade for damage (e.g., bent, cracked, worn) Replace blade with the original equipment manufacture's (O.E.M.) blade only, listed in this manual. "Use of parts which do not

meet the original equipment specifications may lead to improper performance and compromise safety!"

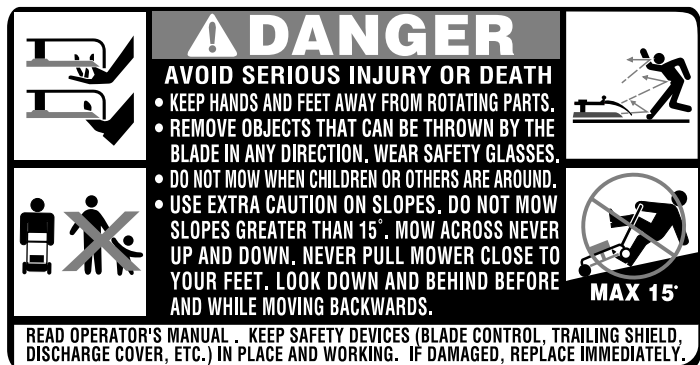
4. Mower blades are sharp and can cut. Wrap the blade or wear gloves, and use extra caution when servicing them.
5. Keep all nuts, bolts, and screws tight to be sure the equipment is in safe working condition.
6. Never tamper with safety devices. Check their proper operation regularly.
7. After striking a foreign object, stop the engine, disconnect the spark plug wire and de-energize the starter. (See section "To De-energize Self Starter"). Thoroughly inspect the mower for any damage. Repair the damage before starting and operating the mower.
8. Never attempt to make a wheel or cutting height adjustment while the engine is running.
9. Grass catcher components, discharge cover, and trail shield are subject to wear and damage which could expose moving parts or allow objects to be thrown. For

safety protection, frequently check components and replace immediately with original equipment manufacturer's (O.E.M.) parts only, listed in this manual. "Use of parts which do not meet the original equipment specifications may lead to improper performance and compromise safety!"

10. Do not change the engine governor setting or overspeed the engine. The governor controls the maximum safe operating speed of the engine.
11. Maintain or replace safety and instruction labels, as necessary.
12. Observe proper disposal laws and regulations. Improper disposal of fluids and materials can harm the environment.
13. ALWAYS de-energize self starter prior to performing any maintenance or service to the engine and or mower. Follow instructions both in manual and on the engine and or machine to de-energize starter.

## Your Responsibility

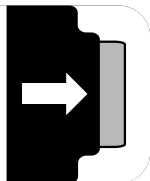
- Restrict the use of this power machine to persons who read, understand and follow the warnings and instructions in this manual and on the machine.



## ! WARNING

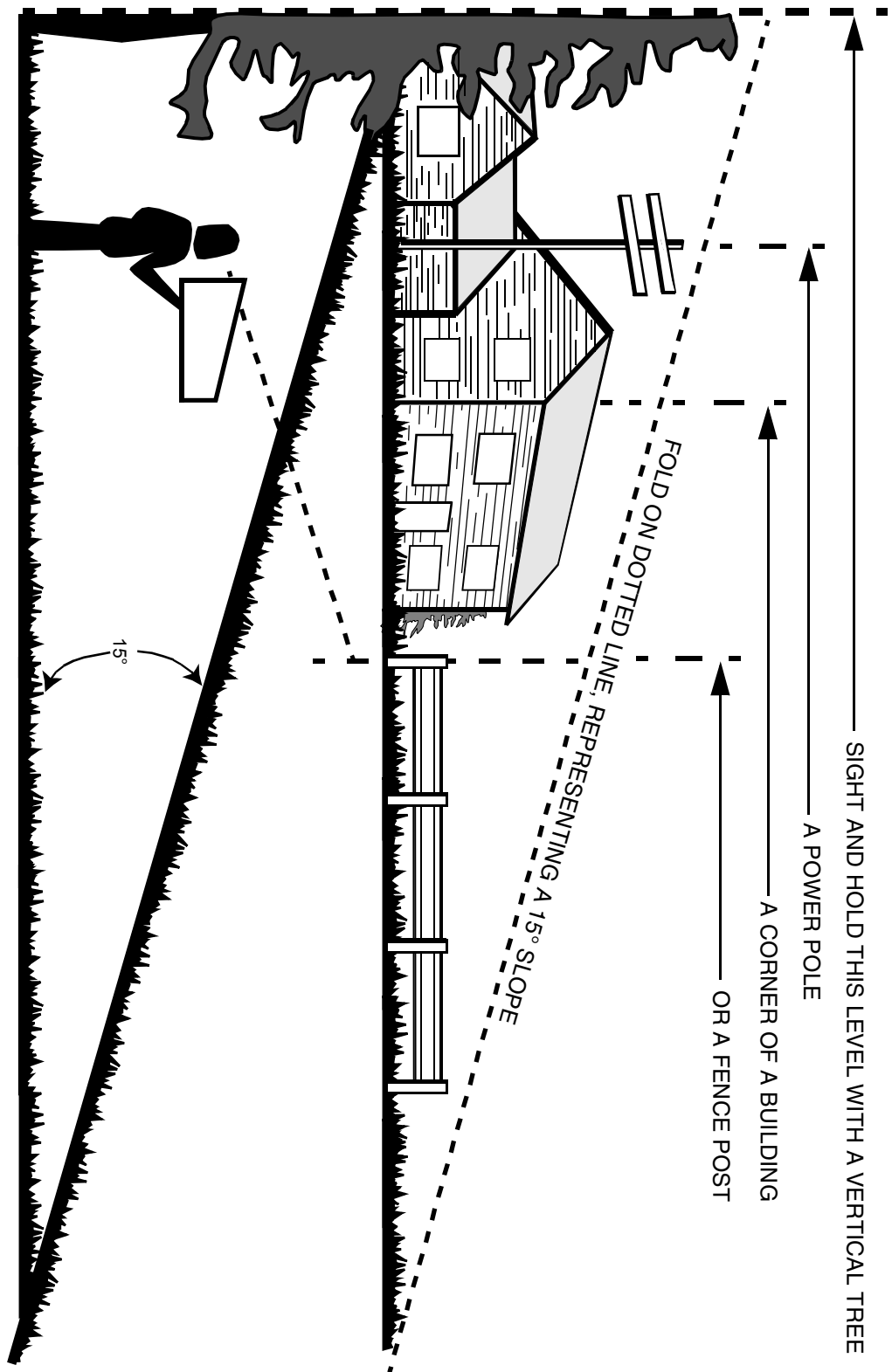
**BLADE ROTATES WHEN SELF-STARTER IS ENERGIZED.  
DE-ENERGIZE SELF-STARTER BEFORE SERVICING MOWER.**

**STARTER  
BUTTON**



## SECTION 2: SLOPE GAUGE

Use this page as a guide to determine slopes where you may not operate safely. **Do not operate** your lawn mower on such slopes.



Do not mow on inclines with a slope in excess of 15 degrees (a rise of approximately 2-1/2 feet every 10 feet). A riding mower could overturn and cause serious injury. If operating a walk-behind mower on such a slope, it is extremely difficult to maintain your footing and you could slip, resulting in serious injury.

Operate RIDING mowers up and down slopes, never across the face of slopes.

Operate WALK-BEHIND mowers across the face of slopes, never up and down slopes.



## SECTION 3: ASSEMBLING YOUR LAWN MOWER

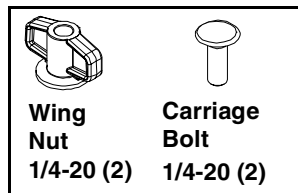
**IMPORTANT:** This unit is shipped without gasoline or oil in the engine. Be certain to service engine with gasoline and oil as instructed in the separate engine manual before operating your mower.

### Removing Unit From Carton

- Remove staples, break glue on top flaps, or cut tape at carton end and peel along top flap to open carton. Remove loose parts if included with unit (i.e., operator's manual, etc.)
- Cut along corners, lay carton down flat, and remove packing material.
- Roll or slide unit out of carton and check carton thoroughly for loose parts.

### Hardware Pack

Please identify each piece of the hardware pack as shown here.



### Disconnecting Spark Plug Wire

Before setting up your lawn mower, disconnect the spark plug wire from the spark plug and ground to a bolt on the engine. Leave safety key in locked position. See Figure 1.

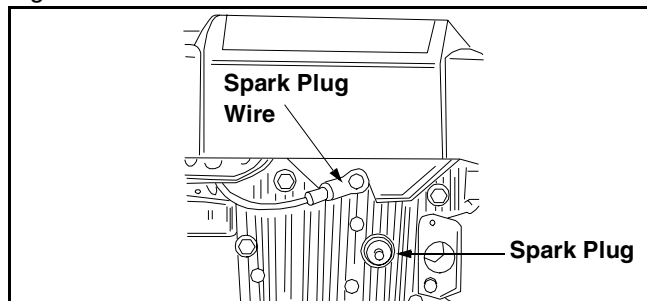


Figure 1

**NOTE:** Reference to right or left hand side of the mower is observed from the operating position.

### Assembling Handle

- Lift up and pull back on the upper handle to raise the handle into the operating position.
- Make certain the lower handle is seated securely into the handle bracket assemblies.
- Tighten the wing nuts between the upper handle and the lower handle (carriage bolts must be seated properly into the handle). See Figure 2.

**NOTE:** Your mower is shipped with the handle in the higher position. If you wish to lower the height of the handle, refer to the Adjustment Section at this time.

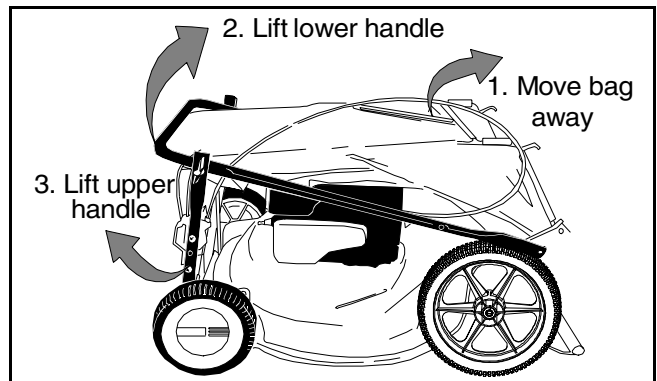


Figure 2

- Remove the hairpin clips from the outer hole in the weld pins on the handle bracket assemblies. Using a pair of pliers, squeeze one leg of the lower handle against the handle bracket assemblies. Insert the hairpin clip into the inner hole on the weld pin. Repeat on other side. See Figure 3.
- After you have moved the hairpin clip, install the carriage bolt, (carriage bolt must go to the inside of handle) included in the hardware pack, in the upper hole on the handle mounting bracket. Secure with one plastic wing nut, also included in the hardware pack. See Figure 3. Repeat process on other side.

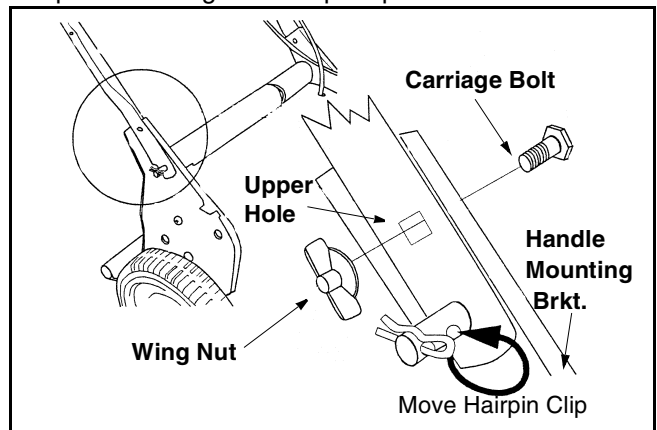


Figure 3

- Fasten the cable to the lower handle with the two cable ties found on the lower handle. Pull the cable ties tight and trim off the excess. See Figure 4.

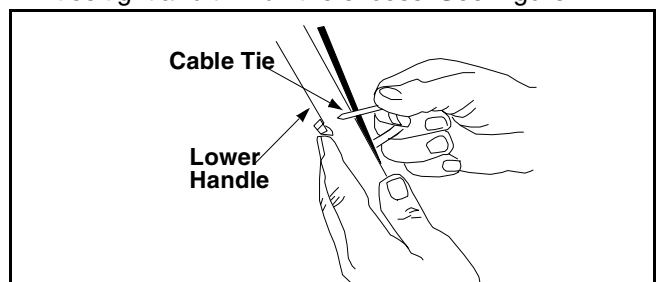


Figure 4

## Attaching Starter Rope

- The rope guide is attached to the right side of upper handle. Loosen the wing nut which secures the rope guide. See Figure 5.

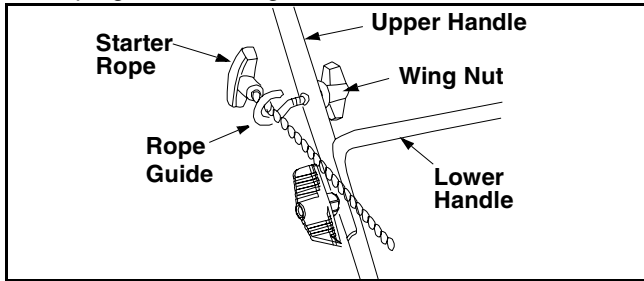


Figure 5

- With the spark plug wire disconnected and grounded, hold the blade control handle against the upper handle, and pull the starter rope out of the engine. Release the blade control handle. Slip the starter rope into the rope guide. Tighten wing nut.

## Assembling Grass Catcher

**NOTE:** If your mower's grass catcher has been already assembled before shipping, proceed to the next section. If it is unassembled, follow the steps below.

- Insert frame into grass bag with the black plastic side on the bottom of bag. See Figure 6.

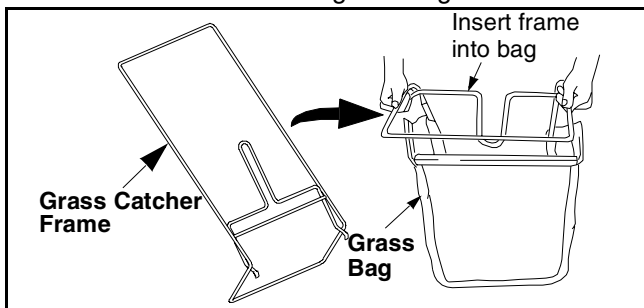


Figure 6

- Slip the side openings of the plastic channel on the bag over the hooks on the grass catcher frame. Secure bag to the frame by working the six plastic channels on bag over frame.

- All the plastic channels attach from the outside of bag. See Figure 7.

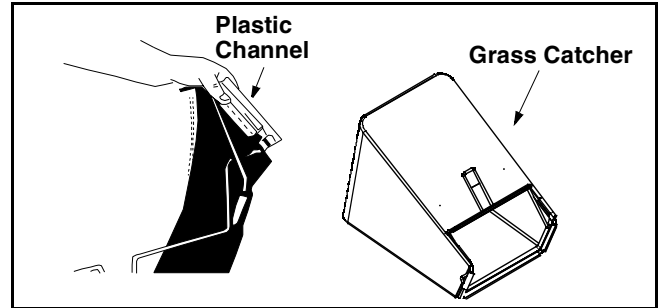


Figure 7

## Attaching Grass Catcher To Mower

- Lift the rear discharge door and place the grass catcher on the pivot rod. Let go of discharge door so that it rests on the grass catcher. See Figure 8.

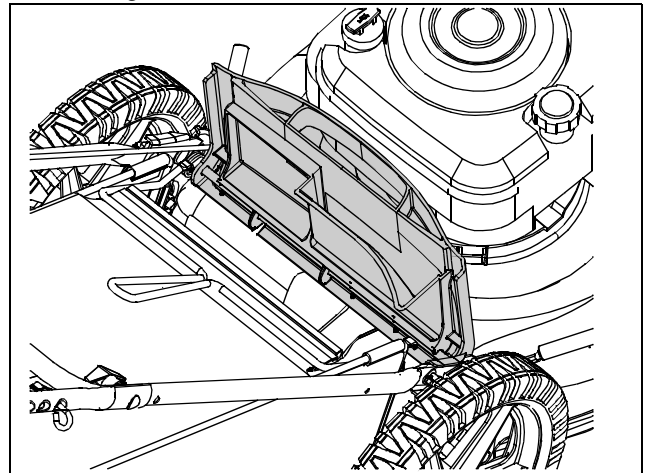


Figure 8

## Converting To Mulcher

- Lift the rear discharge door on the mower and lift the grass catcher up. Release the rear discharge door to allow it to cover the rear opening of the machine.



**WARNING:** Never operate the lawn mower without the grass catcher assembly or the mulching baffle firmly secured on the machine.



## SECTION 4: KNOW YOUR LAWN MOWER

Read this owner's manual and safety rules before operating your lawn mower. Compare the illustrations in Figure 9 with your lawn mower to familiarize yourself with the location of various controls and adjustments. Save this manual for future reference.



**WARNING:** The operation of any lawn mower can result in foreign objects being thrown into the operator's eyes and causing severe eye damage. Always wear safety glasses while operating the mower, or while performing any adjustments or repairs on it.

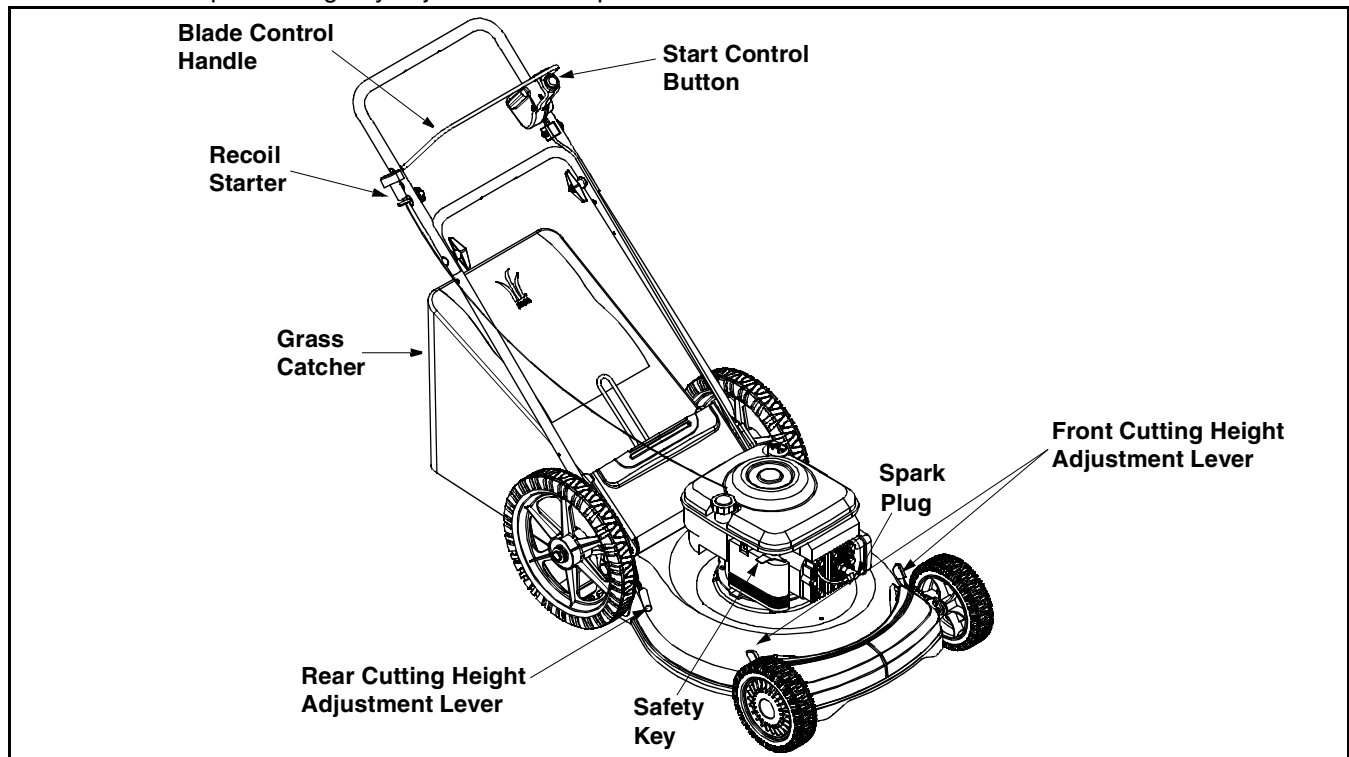


Figure 9

### Recoil Starter

The recoil starter handle is attached to the upper handle. See Figure 9. The recoil starter is used to start the engine when the self starter is in the de-energized mode.

### Blade Control Handle

The blade control handle is located on the upper handle of the mower. The blade control handle and starter control button must be depressed in order to operate the unit. Release blade control handle to stop engine and blade and to energize the self starter. See Figure 9.



**WARNING:** The blade control handle is a safety device. Never attempt to bypass its operations. Doing so, may result in personal injury through contact with the rotating blade. The blade rotates whenever the engine is running and when the self starter is de-energized.

### Cutting Height Adjustment Levers

These levers are located on each wheel and are used to adjust the cutting height. These levers have to be at the same relative position to ensure uniform cut. See Figure 9.

### Safety Key

The safety key is located on the engine. See Figure 9. The safety key is a safety device used to activate and deactivate the self starter system. The self starter system will not work without the key in its proper position. See engine manual for further information pertaining to the safety key.

**NOTE:** *The safety key must be in the run position to start the mower for both systems, either the self starter or recoil starter.*

### Start Control Button

The start control button is located on the upper left side of the handle. See Figure 9. The start control button must be depressed fully while pulling the blade control handle toward upper handle for the engine to start. The starter control button will automatically return to the off/up position once the blade control handle is released.

**NOTE:** The starter button must be depressed to start the engine with either the self starter or recoil starting system.

### Engine Controls

See the separate engine manual for the location and function of the controls on the engine.

## Stopping Engine

- Release safety blade control handle (the start control button will automatically return to the off/up position), engine and blade will stop within a few seconds.

**NOTE:** Engine may stop with a ratcheting sound. This sound is the self starter being reactivated/energized for the next start

- Turn safety key 1/4 turn counterclockwise to LOCK position. Remove key and store in a safe place.



**WARNING:** The blade will continue to rotate for three seconds after the blade control lever is released.

## SECTION 5: OPERATING YOUR LAWN MOWER



**WARNING:** Read, understand, and follow all instructions and warnings on the machine and in this manual before operating.

### Gas & Oil Fill-Up

- Check oil level and add oil if necessary. Follow relevant instructions in the engine manual for this.
- Service the engine with gasoline as instructed in the engine manual.



**WARNING:** Use extreme care when handling gasoline. Gasoline is extremely flammable and the vapors are explosive. Never fuel the machine indoors or while the engine is hot or running. Extinguish cigarettes, cigars, pipes and other sources of ignition.

### Before Starting Mower

- Attach spark plug wire to spark plug. Make certain the metal cap on the end of the spark plug wire (inside the rubber boot) is fastened securely over the metal tip on the spark plug.

### First Time Starting Engine

**NOTE:** Use recoil starter rope to start engine for the very first time. The mower is shipped with the safety key in the locked position and the self starter in the de-energized mode, follow instructions as follows.

1. Place lawn mower on a level surface outdoors.
2. Remove clear plastic packaging under fuel cap.
3. Check oil level.
4. Add fuel.
5. Open shut off valve (if equipped) 1/4 turn.
6. Push spark plug wire firmly on spark plug.
7. Turn safety key 1/4 turn clockwise to RUN position.

8. Firmly push primer bulb 3 times.
9. While standing in the operating position, depress the starter control button fully with the thumb of your right hand.
10. Using your left hand, pull the control handle all the way toward the upper handle. See Figure 10.
11. Release the button.
12. Grasp the recoil rope starter handle with your right hand and slowly pull towards you until you feel a slight resistance, then pull firmly until your arm is fully extended.
13. If engine does not start by the second pull, repeat steps 8, 9, 10, 11 and 12.

### Second Time Starting Engine

**NOTE:** Follow these instructions if the self starter is already in the energized mode.



**WARNING:** NEVER assume starter is in the de-energized mode, even if the key is in the locked position and/or removed from the engine. ALWAYS de-energize starter prior to performing any maintenance or service to the engine and/or mower. Follow instructions on the engine and/or machine to de-energize starter.

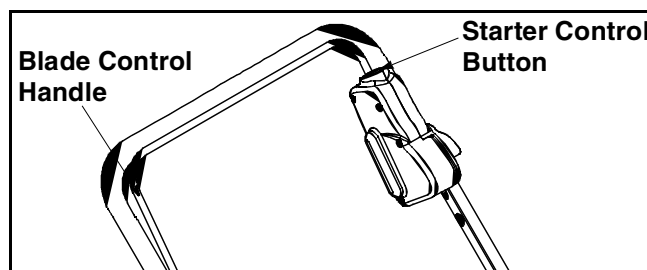


Figure 10

1. Check oil level and add fuel, if necessary.
2. Open shut off valve (if equipped) 1/4 turn.
3. Turn safety key 1/4 turn clockwise to RUN position.
4. Firmly push primer bulb 3 times (For a cold engine only!).
5. While standing at upper handle, depress the starter control button with the thumb of your right hand.
6. Using your left hand, pull the blade control handle all the way toward the upper handle. See Figure 10. Starter will de-energize and engine will start.  
(**NOTE:** If engine does not start, release the blade control handle and follow steps 8, 9, 10, 11 and 12 in the "First Time Starting Engine" instructions.)

**NOTE:** If any problems are encountered, refer to the Trouble Shooting Guide for helpful information.

## To Stop Engine And Blade

1. Release safety blade control handle (the start control button will automatically return to the off/up position), engine and blade will stop within a few seconds.

**NOTE:** Engine may stop with a ratcheting sound. This sound is the self starter being reactivated/energized for the next start.

2. Turn safety key 1/4 turn counterclockwise to LOCK position. Remove key and store in a safe place.



**WARNING:** The blade will continue to rotate for three seconds after the blade control lever is released.

## To De-Energize Self Starter

- Remove spark plug wire from spark plug.
- Turn safety key to RUN position (1/4 turn clockwise).
- While standing in the operating position, depress the starter control button fully with the thumb of your right hand.
- Using your left hand, pull the control handle all the way toward the upper handle. (Release button and wait until engine and starter stop rotating.)
- Release safety blade control handle (the start control button will automatically return to the off/up position.)
- Remove safety key.

**NOTE:** Engine will crank over upon actuating equipment starting controls, but will not spark if spark plug wire was removed from spark plug as described above. Once engine has stopped cranking, self starter is de-energized.



**WARNING:** Self Starting System: If these instructions are not followed, amputation or severe laceration can result.

- ALWAYS disconnect spark plug, de-energize starter, lock and remove safety key BEFORE performing ANY service to the engine or mower.
- DO NOT attempt any maintenance or repairs to the self starter.
- NEVER assume starter is de-energized, even if key is in LOCK AND REMOVE position and/or removed from engine.
- BEFORE removing grass or other debris from under mower deck; BEFORE changing oil, air filter or spark plug; BEFORE removing blade for servicing; BEFORE performing any other service to engine or mower; BEFORE transporting mower- ALWAYS DE-ENERGIZE SELF STARTER.
- ALWAYS lock and remove safety key and store in a safe place until next use. The safety key is designed and intended to be removed from engine when not in use. Removing key will prevent unsupervised or unexpected starting of mower by children or unsuspecting adults. The safety key must be in the locked position before it can be removed.

## Throttle Speed

Your lawn mower engine is equipped with a constant speed throttle, which is set at full throttle for best performance.

## Using Your Lawn Mower



**WARNING:** Never operate the mower unless the hooks on the grass catcher are seated in the slots on the handle bracket assemblies, and the rear discharge door rests firmly against the top of the grass catcher.

- You can use your mower as a mulching mower or a rear bagger.
- **Do not** operate the mower without the rear mulching baffle or the grass catcher bag properly installed.
- Be sure that the lawn is clear of stones, sticks, wire, or other objects which could damage lawn mower or engine. Such objects could be accidentally thrown by the mower in any direction and cause serious personal injury to the operator and others.
- *For best results, do not cut wet grass* because it tends to stick to the underside of the mower, preventing proper discharge of grass clippings, and possibly causing you to slip and fall. New grass, thick grass or wet grass may require a narrower cut.
- For a *healthy lawn*, always cut off one-third or less of the total length of the grass. Lawn should be trimmed in fall as long as there is growth.



**WARNING:** If you strike a foreign object, stop the engine. Remove wire from spark plug and de-energize, thoroughly inspect the mower for any damage, and repair the damage before restarting and operating the mower. Excessive vibration of the mower during operation is an indication of damage. The unit should be promptly inspected and repaired.

**NOTE:** For shipping purposes your mower is set with the wheels in a low cutting height position. For best results, raise the cutting position until you have determined which height is best for your lawn.

## SECTION 6: MAKING ADJUSTMENTS



**WARNING:** Be sure to disconnect the spark plug wire and DE-ENERGIZE starter before performing any adjustments or repairs. DO NOT attempt any maintenance or service to the engine and/or mower equipped with the safety key in the unlocked and/or energized mode.



**WARNING:** NEVER assume starter is de-energized, even if the key is in the locked position and/or removed from the engine. ALWAYS de-energize self starter prior to performing any maintenance or service to the engine and/or mower. Follow instructions on the engine and/or machine to de-energize starter.

### Cutting Height

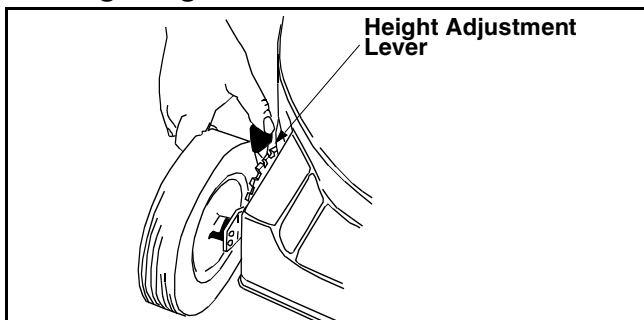


Figure 11

An adjusting plate and spring lever at each wheel position provides cutting height adjustment. Each adjusting plate has several height positions.

- Move the spring lever to one of these height positions and the height of cut will be changed. Simply depress the lever towards wheel and move lever assembly to desired position. See Figure 11.

**IMPORTANT:** All wheels must be placed in the same relative position. For rough or uneven lawns, move the height adjustment lever to a higher position. This will help stop scalping of the grass.

### Handle Height

Your mower is shipped with the handle in the higher height position.

- Remove the starter rope from the rope guide.
- Remove the upper handle by removing the hand knobs and carriage bolts. Lay the upper handle out of the way, being careful not to bend or kink cables.
- Remove the hairpin clips from the weld pins on the handle brackets. Refer to Figure 3.
- Remove the carriage bolts and wing nuts from the handle brackets. Press out on the legs of the lower handle. Remove lower handle from the mower.
- Turn the lower handle around so the notch on the bottom of the lower handle is facing forward as shown in Figure 12. Reassemble, placing the bottom holes in the handle over the weld pins in the handle mounting bracket.

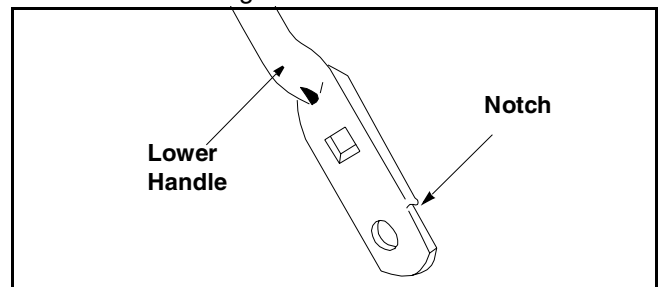


Figure 12

- Reassemble the upper handle to the lower handle.
- Place the hairpin clips in the inner holes of the weld pins and replace the carriage bolts and wing nuts on the handle brackets. Attach the starter rope as instructed in the Assembly section.

### Engine Adjustments

Refer to the engine manual for details and instructions regarding engine adjustments.

## SECTION 7: MAINTAINING YOUR LAWN MOWER



**WARNING:** Be sure to disconnect the spark plug wire and DE-ENERGIZE starter before performing any repairs or maintenance. DO NOT attempt any maintenance or service to the engine and/or mower equipped with the safety key in the unlocked and/or energized mode.



NEVER assume starter is de-energized, even if the key is in the locked position and/or removed from the engine. ALWAYS de-energize self starter prior to performing any maintenance or service to the engine and/or mower. Follow instructions on the engine and/or machine to de-energize starter.

### Engine

**NOTE:** When tipping the unit, empty the fuel tank and keep the spark plug side of engine up. Never tip the mower more than 90 degrees and do not leave the mower tipped for any length of time. Oil can drain into the upper part of the engine causing a starting problem.

Refer to the engine manual for all engine maintenance instructions.

- Maintain engine oil as instructed in the engine manual. Check oil level before starting mower.
- Service air cleaner every 25 hours under normal conditions. Poor engine performance and flooding usually indicate that the air cleaner should be serviced. To service the air cleaner, refer to the engine manual.
- The spark plug should be cleaned and the gap reset once a season. Spark plug replacement is recommended at the start of each mowing season.

Clean the engine regularly with a cloth or brush. Keep the cooling system (blower housing area) clean to permit proper air circulation which is essential to engine performance and life. Be certain to remove all grass, dirt, and combustible debris from muffler area.

### Deck

The underside of the mower deck should be cleaned after each use to prevent a buildup of grass clippings, leaves, dirt, or other matter. If this debris is allowed to accumulate, it will invite rust and corrosion, and may prevent proper mulching, discharge, or bagging. The deck may be cleaned by tilting the mower and scraping clean with a suitable tool (make certain the spark plug wire is disconnected).

**IMPORTANT:** We do not recommend the use of a pressure washer or garden hose to clean your unit. The use of water will result in shorter life and less serviceability.

### Cutting Blade

- When removing the cutting blade for sharpening or replacement, protect your hands with a pair of heavy gloves or use a heavy rag to hold the blade.

#### To Remove Blade

- Remove the bolt and the blade bell support which hold the blade and the blade adapter to the engine crankshaft. See Figure 13.
- Remove the blade and the adapter from the crankshaft.

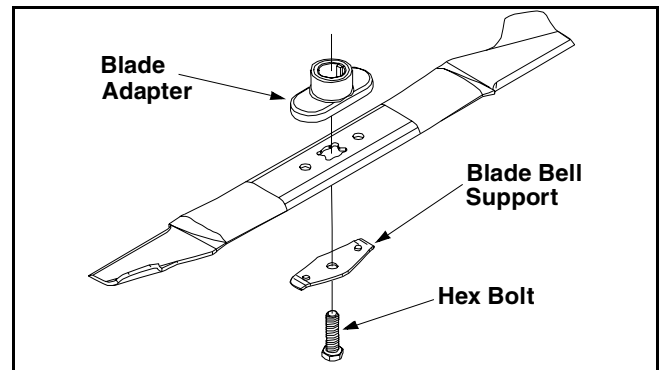


Figure 13



**WARNING:** Periodically inspect the blade adapter for cracks, especially if you strike a foreign object. Replace when necessary.

- When sharpening the blade, follow the original angle of grind as a guide. It is extremely important that each cutting edge receives an equal amount of grinding to prevent an unbalanced blade.



**WARNING:** An unbalanced blade will cause excessive vibration when rotating at high speeds. It may damage the mower, and/or cause personal injury.

- The blade can be tested by balancing it on a round shaft screwdriver. Remove metal from the heavy side until it balances evenly. It is recommended that the blade always be removed from the adapter when testing for balance. Before reinstalling the blade and the blade adapter to the unit, lubricate the engine crankshaft and the inner surface of the blade adapter with light oil.

#### To Reinstall Blade

- Be sure to install the blade with the side marked "Bottom" (or with part number) facing the ground when the mower is in the operating position.

- Slide the blade adapter onto the engine crankshaft.
- Place the blade on the adapter. The blade has to be aligned and seated on the blade adapter flanges.
- Place blade bell support on blade. Make sure the notches on the blade bell support are aligned with small holes in the blade.
- Replace hex bolt and tighten hex bolt to torque: 450 in. lbs. min., 600 in. lbs. max.

**NOTE:** To ensure safe operation, the blade bolt must be checked periodically for correct torque.

## Lubrication



**WARNING:** Always stop engine and disconnect spark plug wire before cleaning, lubricating or doing any kind of service work on the lawn mower.

### Blade Control

Lubricate the pivot points on the blade control handle at least once a season with light oil. The blade control must operate freely in both directions. See Figure 14.

### Wheels

Lubricate the wheels at least once a season with light oil (or motor oil). If the wheels are removed for any reason, lubricate the surface of the axle bolt and inner surface of the wheel with light oil. See Figure 14.

### Rear Discharge Door

Lubricate the torsion springs and pivot points on rear discharge door using light oil. This will insure the door, which is a safety device, can always work properly.

## Engine

Follow the engine manual for lubrication instructions.

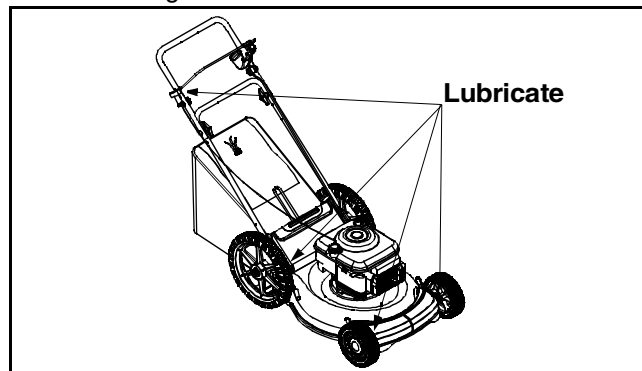


Figure 14

## Replacing Rear Flap

- To remove rear flap, cut off the flat end of the wire rod which secures it to the deck. See Figure 15.
- Attach the new flap and new rod to deck, bending the ends of the new rod over to secure to deck.

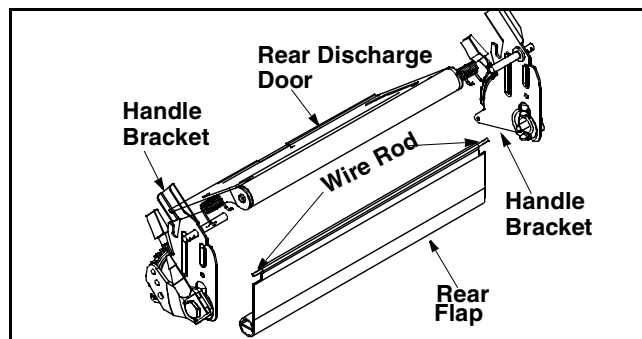


Figure 15

## SECTION 8: OFF-SEASON STORAGE

The following steps should be taken to prepare your lawn mower for storage.



**WARNING:** Be sure to disconnect the spark plug wire and DE-ENERGIZE starter before performing any repairs or maintenance. DO NOT attempt any maintenance or service to the engine and/or mower equipped with the safety key in the unlocked and/or energized mode.



**WARNING:** NEVER assume starter is de-energized, even if the key is in the locked position and/or removed from the engine. ALWAYS de-energize self starter prior to performing any maintenance or service to the engine and/or mower. Follow instructions on the engine and/or machine to de-energize starter.



**WARNING:** Never store the machine or fuel container indoors where there is an open flame, spark or pilot light such as on water heater, furnace, clothes dryer or other gas appliance.

**NOTE:** We do not recommend the use of pressure washers or garden hose to clean your unit. They may cause damage to electric components, spindles, pulleys, bearings or the engine. The use of water will result in shortened life and reduce serviceability.

- Refer to engine manual for storage instructions.
- Coat mower's cutting blade with chassis grease to prevent rusting.
- Store mower in a dry, clean area. Do not store next to corrosive materials, such as fertilizer.

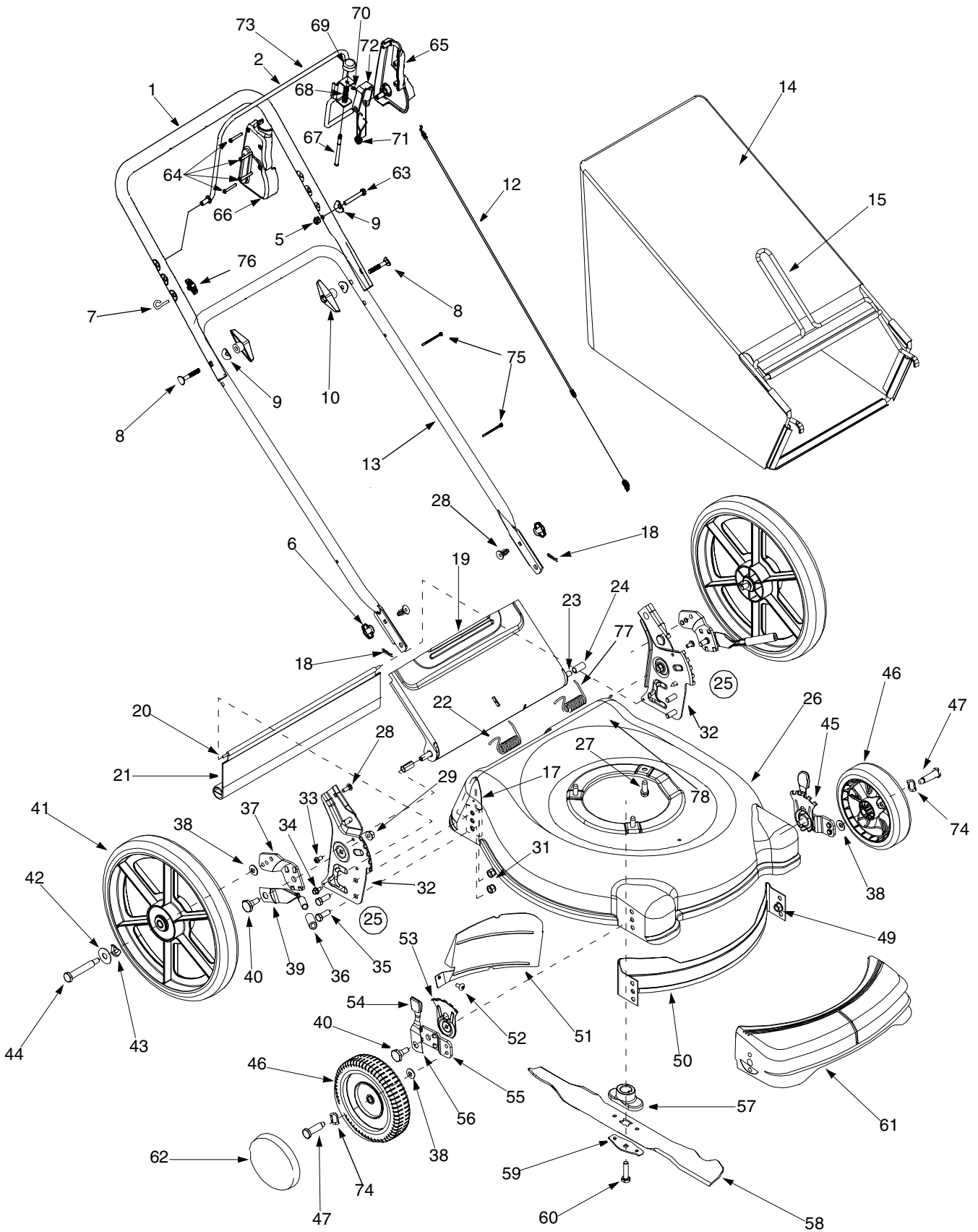
**NOTE:** When storing any type of power equipment in a poorly ventilated or metal storage shed, care should be taken to rust-proof the equipment. Using a light oil or silicone, coat the equipment, especially cables and all moving parts.

## SECTION 9: TROUBLESHOOTING

Problem	Cause	Remedy
Engine fails to start	<ol style="list-style-type: none"> <li>Blade control handle disengaged.</li> <li>Start control button not depressed.</li> <li>Spark plug wire disconnected.</li> <li>Safety key not in run position</li> <li>Fuel tank empty or stale fuel.</li> <li>Blocked fuel line.</li> <li>Faulty spark plug.</li> <li>Engine flooded</li> <li>Self starter already de-energized</li> </ol>	<ol style="list-style-type: none"> <li>Engage blade control handle.</li> <li>Depress starter control button.</li> <li>Connect wire to spark plug.</li> <li>Place safety key in run position.</li> <li>Fill tank with clean, fresh gasoline.</li> <li>Clean fuel line.</li> <li>Clean, adjust gap, or replace.</li> <li>Wait a few minutes to restart, but do not prime.</li> <li>Use recoil starter to start engine.</li> </ol>
Engine runs erratic	<ol style="list-style-type: none"> <li>Spark plug wire loose.</li> <li>Blocked fuel line or stale fuel.</li> <li>Vent in gas plugged.</li> <li>Water or dirt in fuel system.</li> <li>Dirty air cleaner.</li> <li>Carburetor out of adjustment.</li> </ol>	<ol style="list-style-type: none"> <li>Connect and tighten spark plug wire.</li> <li>Clean fuel line; fill tank with clean, fresh gasoline</li> <li>Clear vent.</li> <li>Drain fuel tank. Refill with fresh fuel.</li> <li>Clean air cleaner.</li> <li>Adjust carburetor.</li> </ol>
Engine overheats	<ol style="list-style-type: none"> <li>Engine oil level low.</li> <li>Air flow restricted.</li> <li>Carburetor not adjusted properly.</li> </ol>	<ol style="list-style-type: none"> <li>Fill crankcase with proper oil.</li> <li>Remove blower housing and clean.</li> <li>Adjust carburetor.</li> </ol>
Occasionally skips (hesitates) at high speed	<ol style="list-style-type: none"> <li>Spark plug gap too close.</li> </ol>	<ol style="list-style-type: none"> <li>Adjust gap to .030".</li> </ol>
Idles poorly	<ol style="list-style-type: none"> <li>Spark plug fouled, faulty or gap too wide.</li> <li>Carburetor improperly adjusted.</li> <li>Dirty air cleaner.</li> </ol>	<ol style="list-style-type: none"> <li>Reset gap to .030" or replace spark plug.</li> <li>Adjust carburetor.</li> <li>Clean air cleaner.</li> </ol>
Excessive vibration	<ol style="list-style-type: none"> <li>Cutting blade loose or unbalanced.</li> <li>Bent cutting blade.</li> </ol>	<ol style="list-style-type: none"> <li>Tighten blade and adapter. Balance blade.</li> <li>Replace blade.</li> </ol>
Mower will not mulch grass	<ol style="list-style-type: none"> <li>Wet grass.</li> <li>Excessively high grass.</li> <li>Dull blade.</li> </ol>	<ol style="list-style-type: none"> <li>Do not mow when grass is wet; wait until later to cut.</li> <li>Mow once at a high cutting height, then mow again at desired height or make a narrower cutting path.</li> <li>Sharpen or replace blade.</li> </ol>
Uneven cut	<ol style="list-style-type: none"> <li>Wheels not positioned correctly.</li> <li>Dull blade.</li> </ol>	<ol style="list-style-type: none"> <li>Place all four wheels in same height position.</li> <li>Sharpen or replace blade.</li> </ol>

**NOTE:** For repairs beyond the minor adjustments listed above, contact your nearest authorized service dealer.

# SECTION 10: PARTS LIST FOR MODEL 589





# Model 589 Series

Ref. No.	Part No.	Part Description	Ref. No.	Part No.	Part Description
1.	749-04001	Upper Handle	40.	738-0507B	Shoulder Screw
2.	647-0070	Control Handle	41.	734-2043	Rear Wheel Assembly 14 x 2.1
5.	712-0324	Hex Lock Nut 1/4-20	42.	736-0272	Flat Washer.510 ID x 1.00 OD
6.	712-0397	Wing Nut	43.	736-0182	Wave Washer.500 ID x 1.0 OD
7.	710-1205	Rope Guide	44.	738-0481A	Shoulder Screw
8.	710-1174	Carriage Bolt 5/16-18 x 2"	45.	14578	Front Height Adjuster - RH
9.	736-0451	Shoulder Washer.320 ID x.930 OD		14579	Front Height Adjuster - LH
10.	720-0284	Wing Nut	46.	734-2004A	Front Wheel Assembly 8 x 2.1
12.	746-1141	Self Start Control Cable 58.25"	47.	738-0102	Shoulder Bolt
13.	749-0907B	Lower Handle	49.	712-0431	Flange Lock Nut 3/8-16
14.	664-0085	Grass Bag	50.	782-5002	Front Baffle
15.	747-04080	Grass Catcher Frame	51.	782-5003	Rear Baffle - LH
17.	782-5004A	Rear Baffle - RH	52.	710-1017	Tap Screw 1/4-14 x.625.
18.	714-0104	Hairpin Clip	53.	15261A	Height Adjustment Plate
19.	731-04134	Grass Bag Door	54.	720-0426	Height Adjustment Knob
20.	732-0700	Wire Rod	55.	15262B	Pivot Bar
21.	731-1236	Trail Shield	56.	732-0404	Spring Lever
22.	732-04090	Door Spring R.H.	57.	748-0376C	Blade Adapter
23.	747-0996	Chute Door Pivot Rod	58.	742-0741	21" Mulching Blade
24.	750-04162	Spacer.375 O.D. X.50 I.D. X. 1.02"	59.	736-0524A	Blade Bell Support
25.	687-02032	Handle Bracket Assy. Complete - LH (Includes 29, 32, 37, 39, 40)	60.	710-1044	Hex Cap Screw 3/8-24 x 1.5
	687-02034	Handle Bracket Assy. Complete - RH (Includes 29, 32, 37, 39, 40)	61.	731-1506	Front End Cover
26.	787-01103	Deck 21"	62.	731-1426	Hub Cap
27.	710-0654A	Hex Washer Screw 3/8-16 x 1.0	63.	710-0501	Hex Hd. Cap Scr. 1/4-20 Gr.5
28.	710-0703	Hex Carriage Screw 1/4-20	64.	710-1256	Hi-Low Screw
29.	712-3005	Flange Lock Nut 3/8-16	65.	731-2532	Control Cover LH
31.	712-0431	Flange Lock Nut 3/8-16	66.	731-2533	Control Cover RH
32.	687-02033	Handle Bracket Assembly - RH	67.	715-0168	Pin
	687-02031	Handle Bracket Assembly - LH	68.	732-1171	Compression Spring
33.	710-0286	Machine Screw 1/4-20 x.500	69.	720-0428	Button
34.	710-0896	Hex Washer Screw 1/4-14 x.625	70.	716-0209	Retention Spring
35.	710-0216	Hex Cap Screw 3/8-16 x.75	71.	732-1172	Torsion Spring
36.	720-0312	Foam Grip	72.	782-0156	Lever
37.	17488A	Pivot Bar - RH	73.	731-2623	Bail Cover (Not shown)
	17489A	Pivot Bar - LH	74.	736-0504	Wave Washer.510 x.750
38.	736-0105	Spring Washer.375 ID x.870 OD	75.	726-0240	Cable Tie
39.	732-0866	Spring Lever	76.	720-0279	Wing Nut
			77.	732-04089	Door Spring L.H.
			78.	782-5003	Left Rear Baffle

# MANUFACTURER'S LIMITED WARRANTY FOR:



The limited warranty set forth below is given by MTD LLC with respect to new merchandise purchased and used in the United States, its possessions and territories.

MTD LLC warrants this product against defects for a period of two (2) years commencing on the date of original purchase and will, at its option, repair or replace, free of charge, any part found to be defective in materials or workmanship. This limited warranty shall only apply if this product has been operated and maintained in accordance with the Operator's Manual furnished with the product, and has not been subject to misuse, abuse, commercial use, neglect, accident, improper maintenance, alteration, vandalism, theft, fire, water, or damage because of other peril or natural disaster. Damage resulting from the installation or use of any accessory or attachment not approved by MTD LLC for use with the product(s) covered by this manual will void your warranty as to any resulting damage.

Normal wear parts or components thereof are subject to separate terms as follows: All normal wear parts or component failures will be covered on the product for a period of 90 days regardless of cause. After 90 days, but within the two year period, normal wear part failures will be covered ONLY IF caused by defects in materials or workmanship of OTHER component parts. Normal wear parts and components include, but are not limited to: batteries, belts, blades, blade adapters, grass bags, rider deck wheels, seats, snow thrower skid shoes, shave plates, auger spiral rubber, and tires.

**HOW TO OBTAIN SERVICE:** Warranty service is available, WITH PROOF OF PURCHASE, through your local authorized service dealer. To locate the dealer in your area, check your Yellow Pages, or contact MTD LLC at P.O. Box 361131, Cleveland, Ohio 44136-0019, or call 1-800-800-7310 or log on to our Web site at [www.mtdproducts.com](http://www.mtdproducts.com).

This limited warranty does not provide coverage in the following cases:

- a. The engine or component parts thereof. These items carry a separate manufacturer's warranty. Refer to applicable manufacturer's warranty for terms and conditions.
- b. Log splitter pumps, valves, and cylinders have a separate one year warranty.
- c. Routine maintenance items such as lubricants, filters, blade sharpening, tune-ups, brake adjustments, clutch adjustments, deck adjustments, and normal deterioration of the exterior finish due to use or exposure.
- d. MTD LLC does not extend any warranty for products sold or exported outside of the United States, its possessions and territories, except those sold through MTD LLC's authorized channels of export distribution.
- e. Parts that are not genuine MTD parts are not covered by this warranty.
- f. Service completed by someone other than an authorized service dealer is not covered by this warranty.
- g. Transportation charges and service calls are not covered.

**No implied warranty, including any implied warranty of merchantability of fitness for a particular purpose, applies after the applicable period of express written warranty above as to the parts as identified. No other express warranty, whether written or oral, except as mentioned above, given by any person or entity, including a dealer or retailer, with respect to any product, shall bind MTD LLC. During the period of the warranty, the exclusive remedy is repair or replacement of the product as set forth above.**

**The provisions as set forth in this warranty provide the sole and exclusive remedy arising from the sale. MTD LLC shall not be liable for incidental or consequential loss or damage including, without limitation, expenses incurred for substitute or replacement lawn care services or for rental expenses to temporarily replace a warranted product.**

Some states do not allow the exclusion or limitation of incidental or consequential damages, or limitations on how long an implied warranty lasts, so the above exclusions or limitations may not apply to you.

In no event shall recovery of any kind be greater than the amount of the purchase price of the product sold. **Alteration of safety features of the product shall void this warranty.** You assume the risk and liability for loss, damage, or injury to you and your property and/or to others and their property arising out of the misuse or inability to use the product.

This limited warranty shall not extend to anyone other than the original purchaser or to the person for whom it was purchased as a gift.

**HOW STATE LAW RELATES TO THIS WARRANTY:** This limited warranty gives you specific legal rights, and you may also have other rights which vary from state to state.

**MTD LLC, P.O. BOX 361131 CLEVELAND, OHIO 44136-0019; Phone: 1-800-800-7310**

## Free Manuals Download Website

<http://myh66.com>

<http://usermanuals.us>

<http://www.somanuals.com>

<http://www.4manuals.cc>

<http://www.manual-lib.com>

<http://www.404manual.com>

<http://www.luxmanual.com>

<http://aubethermostatmanual.com>

Golf course search by state

<http://golfingnear.com>

Email search by domain

<http://emailbydomain.com>

Auto manuals search

<http://auto.somanuals.com>

TV manuals search

<http://tv.somanuals.com>